

# panda futura 5<sup>™</sup>

## English Manual

EN 12182  
EN 12183

## CONTENTS

Intended purpose.....	3
Declaration of Conformity.....	3
R82 Warranty.....	3
Safety.....	3
Disposal.....	3
Service information.....	4
Washing.....	4
Warewashing machine.....	4
Disinfection.....	4
Accessories and spare parts.....	4
Service interval.....	4
Service Check List.....	4
Presales information.....	4
Technical data.....	4
Producer.....	4
Accessories.....	5
Measurements.....	6
Transfer.....	7
Product identification.....	7
Symbols.....	8
Instructions.....	9 - 17

## General

We appreciate your choice of a new product from R82 - a worldwide supplier of technical aids and appliances for children and teenagers with special needs. To fully benefit from the options offered by this product please read this User Guide before use and save it for future reference.

## Intended purpose

The device is a modular seating system for children and adults with disabilities.

## Indications

The device can be used by children and adults with disabilities, who lack the ability to maintain a seated position. The target group for the device is based on functional ability and not a specific health condition or age

The user is the person sitting in the device. The caregiver is the person operating the device. Never leave the user unattended in this device. Ensure permanent supervision by a caregiver.

The use of the device will be discontinued more times during the day where the user will be lying down, standing or sitting in another assistive device or a conventional product.

For transportation the device is suitable for children and adults in the weight range of 45 kg to specified max user weight for transportation.

## Contra indications

There are no known contra indications

## Precautions

Special attention should be given to the considerations about the configuration of the product and the use of accessories for users with limitation in their:

- Sensory functions and the sensation of pain consider extra checks of the pressure caused by the support provided by the device and its accessories.
- Movement function (e.g. experience involuntary movements), consider using a device with a dynamic backrest.
- Ability to maintain a seated position, use the product with accessories (e.g. side supports, vests, belts or arm supports and a tray).
- Ability to maintain the position of their head, consider to use accessories or to use a product that provide support to the positioning of the head.

## Application areas

The product is for indoor and outdoor use

## Enclosed tools:

- 5 mm Allen key

## Declaration of Conformity

This product conforms to the requirements of the Medical Devices Regulation (2017/745). Further, this product conforms to the requirements according to:

- EN 12182
- EN 12183

The CE mark must be removed when:

- Rebuilding the product
- Using the product outside the intended purpose and declaration of conformity
- Using other than original R82 spare parts and fittings

When combining the device with other products, the combination must not change the intended purpose of the products or modify the products in such a way that compliance with the applicable requirements may be affected. The person / company responsible for the combination of the products must

ensure that the applicable requirements are fulfilled.



## Disposal

When a product reaches the end of its lifetime, it should be separated by material type so that the parts can be recycled or disposed of properly. If required, please contact your local dealer for a precise description of each material. Please contact your local authorities to be informed of the options available for recycling in an environmentally-friendly way.

## Accessories and spare parts

The products from R82 can be supplied with a variety of accessories including vests and belts which comply with the needs of the individual user. Spare parts can be ordered on request. Find the specific accessories on our website or contact your local dealer for further information.

## R82 Warranty

[www.etac.com/support](http://www.etac.com/support)

## Presales information and instructions

Presales information and instructions are available at [www.etac.com](http://www.etac.com), under your product, in the documents section.



## Safety

Signs, symbols and instructions placed on this product must never be covered or removed and must remain present and clearly legible throughout the entire lifetime of the product. Immediately replace or repair illegible or damaged signs, symbols and instructions. Contact your local dealer for instructions.

Any adverse event in relation to the device must be reported to your local dealer and the national competent authority in a timely manner. The local dealer will forward information to manufacturer.

## Caregiver

- Read the “User Guide” carefully before use and keep it for future reference. Incorrect use of this product may cause serious injury to the user.
- This product contains small parts which could present a choking hazard if removed from their intended placing.
- Always use the correct lifting techniques and aids for this purpose.
- Never leave the user unattended in this product. Ensure permanent supervision by an adult.
- Repair/replacements must only be made using new original R82 spare parts and fittings and carried out in accordance with the guidelines and service intervals prescribed by the supplier.
- If there is any doubt as to the continued safe use of your R82 product or if any parts should fail, stop using the product immediately and contact your local dealer as soon as possible.
- Information regarding frame and seat combinations including max. load in combination can be found at: etac.com.
- Information about transportation can be found in the document “M1460 Transportation in Motor Vehicles” supplied with the product.

## Environment

- Observe the surface temperature on the product, before placing an user in it. This goes especially for users with insensitive skin as they can not feel the heat. If the surface temperature is above 41 °C then allow the product to cool before use.

## User

- If the user is close to the max. load limit and/or has a lot of involuntary movements, e.g. rocking, a larger size with a higher max. load or a different R82 product should be considered.
- For transportation the product is suitable for children in the weight range of 43 kg to specified max user weight for transportation.

## Product

- Carry out all positional adjustments on the product and accessories and ensure that all knobs, screws and buckles are securely fastened before use. Keep all tools out of the reach of children.
- Ensure the stability of the product is maintained before placing the user in it.
- Inspect the product and all of its accessories and replace any worn out parts before use.
- Do not expose the piston rod to scratches etc. It is important to use a cloth or the like, if tools are used to adjust the gas spring.
- This product is tested for resistance to ignition at level non-ignition in accordance with EN 1021-1, EN 1021-2 and ISO 7176-16.
- The product might lose its flame resistant characteristics if using other than original R82 cushions.

- The product is approved for transportation in vehicles according to ISO 7176-19. More information can be found in the document “M1460 Transportation in Motor Vehicles” supplied with the product.
- In accordance with ISO 7176-19 Annex D, the product is evaluated regarding the ability to accommodate vehicle-anchored pelvic and shoulder belts. The device receives an overall score of “Good”.

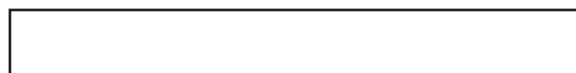
## TECHNICAL DATA

Seat: ABS: Acrylonitrilbutadienstyren. Recyclable  
Foam: Flameproof  
Cover: Gemma

## PRODUCER

R82 A/S  
Parallevej 3  
8751 Gedved

## DISTRIBUTOR



Please find your distributor on [www.etac.com](http://www.etac.com)

## Service & maintenance information

Service and maintenance of a medical device is wholly the responsibility of the owner of that device.

Failure to service and maintain a device in accordance with the instructions may invalidate the device's warranty. Furthermore, failure to service and maintain a device may compromise the clinical condition or safety of users and/or their caregivers. Do not perform service and maintenance while the user is in the product. Contact the local dealer for assistance, if needed, in setting up, using or how to perform service and maintenance of the device.

### Lifetime

The lifetime of this product in normal use is 8 years if all maintenance and servicing is carried out in accordance with the manufacturer's instructions and demonstrably recorded. The device may be reissued within its lifetime.

### Service interval

The frequency of inspection may be altered depending upon use and wear. It is recommended that the product is inspected yearly, every time the product is re-issued for use and after a long-term storage (more than 4 months). The inspection should be carried out by a person who understands the use of the product.

### Service checklist:

Check and adjust the following as per their intended use:

- Back recline and the handle for locking the back in position.
- Accessories can be inserted and locked in the fittings in the top of the back, using the knob and handles mounted in the fittings.
- Inserts for fittings in the back and seat is in good condition
- Nuts and bolts on the product are tightened
- Fittings and buckles for signs of worn out parts
- Product for cracks or signs for worn-out parts
- All labels on the product are intact

Repair or replace any damaged or worn out parts.

### Maintenance

Before every use it is recommended to:

Wipe off any residue and dirt from the product, using a cloth with warm water and a mild detergent/soap without chlorine and let it dry before use carry out a visual inspection, for any damaged or worn-out parts.

### Washing

#### Main product

This product can be washed at 60° using a mild detergent for 10 minutes in a washing machine designed for medical devices. Use the machine's drying function to dry the product. Unmount all accessories and wash them separately.

#### Fabric and covers

The cover can be washed at max. 40°C using a mild detergent in a washing machine.

Separate foam and cover before wash.

#### Foam

The foam inserts must only be washed by hand. Use warm water and a mild detergent/soap without chlorine and let all parts dry before use.

During and after washing the foam, do not bend, squeeze or wring it, as it may negatively affect the shape.

#### Handwash

This product and its accessories can also be washed by hand. Use warm water and a mild detergent/ soap without chlorine and let all parts dry before use.

#### Disinfection

The product can be disinfected with a 70% disinfectant IPA

solution. It is recommended to wipe off any residue and dirt from the product, using a cloth with warm water and a mild detergent/soap without chlorine and let it dry before disinfection.

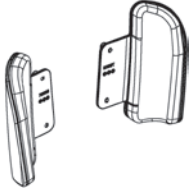
### Materials

- Aluminium
- Plastic
- Stainless steel
- Steel
- Fabric
- Foam

### Surface treatment

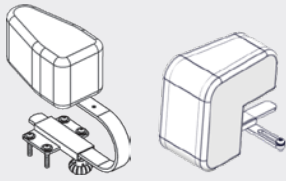
The following surface treatment processes were used to protect against corrosion:

- Lacquered surfaces = Polyester powder coating or ED-coating
- Non-lacquered aluminium parts = Anodized coating
- Non-lacquered steel surfaces = Galvanized



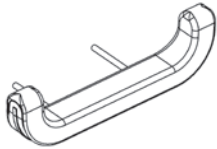
89811-5xx

See page 7



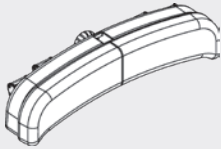
89930-5  
89130-20

See page 9



89642-xxx

See page 9



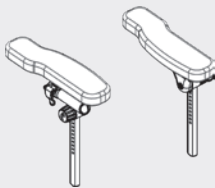
89658-xxxx

See page 10



8910301-4  
8910301-5

See page 11



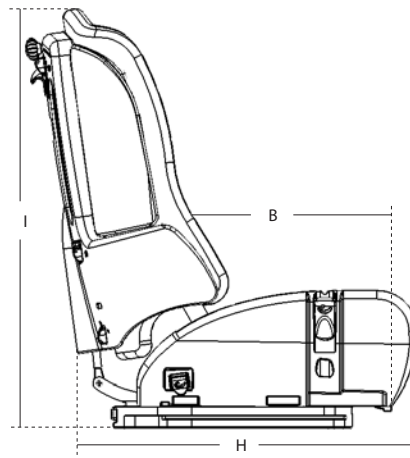
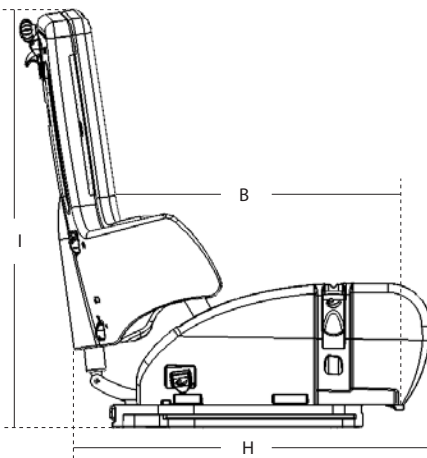
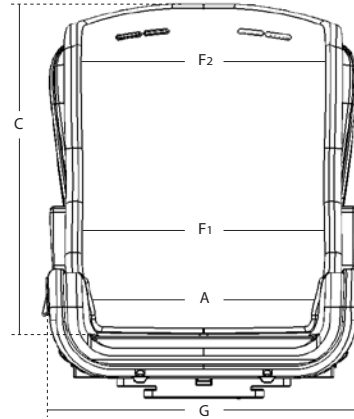
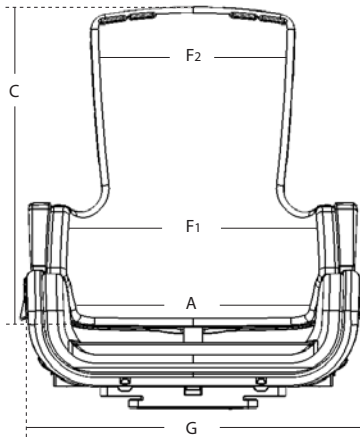
89619-x

See page 12



8910725-5

See page 12



## MEASUREMENTS

	<b>Panda Futura 5 Active</b>	<b>Panda Futura 5 Standard</b>
	mm (inch)	mm (inch)
Effective seat width (A)	350 (13¾")	350 (13¾")
Effective seat depth (B)	430 (17")	430 (17")
Backrest height (C)	590 (23¼")	590 (23¼")
Back width, top of backrest (F2)	350 (13¾")	380 (15")
Back width, bottom of backrest (F1)	320 (12½")	270 (10¾")
Armrest to seat distance	210-300 (8¼"-11¾")	210-300 (8¼"-11¾")
Front location of armrest structure	480 (19")	480 (19")
Overall width (G)	560 (22")	560 (22")
Overall length (H)	560 (22")	560 (22")
Overall height (I)	670 (26½")	670 (26½")
Mass device	15 kg (33 lb)	15 kg (33 lb)
Max user mass	85 kg (187.3 lb)	85 kg (187.3 lb)
Max user mass at transportation	85 kg (187.3 lb)	85 kg (187.3 lb)
Max rated load	102 kg (224.8 lb)	102 kg (224.8 lb)
Backrest angle	(-5°) to (30°)	(-5°) to (30°)

The Panda Futura 5 is measure according to ISO 7176-5 with seat in horizontal and back in vertical position. We supply various types of accessories which is why the weight and measurements are listed without. Different settings than described in the standard, may result in another measuring.

## PRODUCT IDENTIFICATION

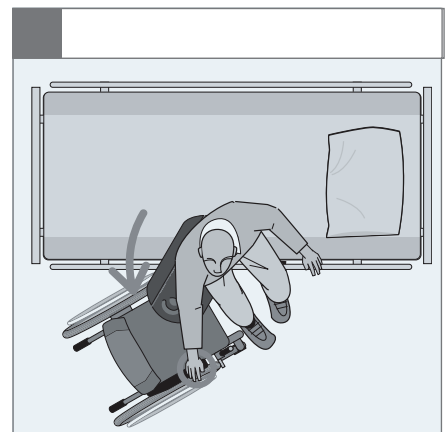
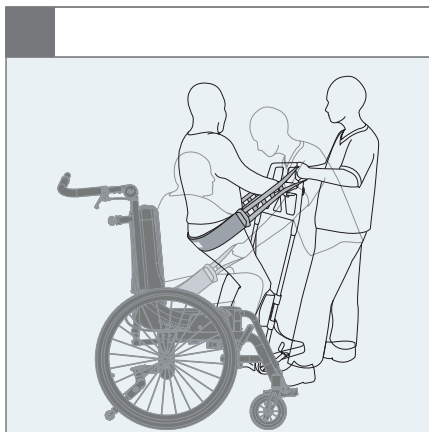
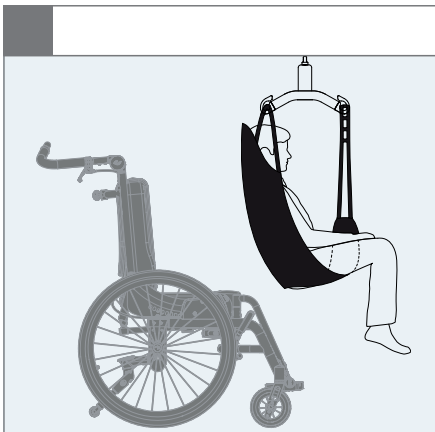
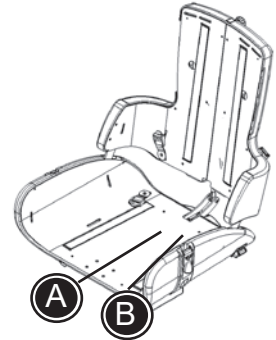
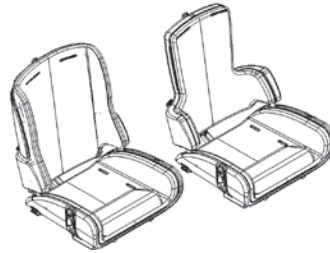
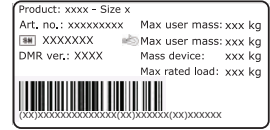
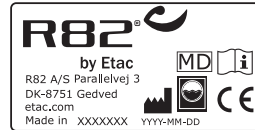
### Panda Futura 5 seat

#### A) Manufacturer

The label is placed on the seat under the cushion. In the top left-hand corner.

#### B) Serial number

The label is placed on the seat under the cushion. In the top right-hand corner.





## Symbols



For indoor and outdoor use



Consult instructions

The latest version of the instructions is always available on the Etac website and can be printed in larger sizes



Warning

This symbol appears in the User Guide along with a number referring to the instructions below. It draws attention to situations where the product or the user or carer's safety may be in danger

01 = Entrapment Hazards

02 = Tilting Hazards

03 = Transportation in motor vehicles

05 = Squeezing Hazard



Caution

Do not pull/lift the chair by the push brace/handles, especially on stairs

## READY FOR USE

The Panda Futura 5 seat is available as (A) STANDARD and as (B) ACTIVE.

The main difference between the two models is the shaping of the seats. The ACTIVE seat is shaped to allow greater upper extremity movement and is ideal for more active children.

The STANDARD seat is shaped with sides, giving the child more support and less mobility.

A child's support requirements will determine which model is most appropriate. One seat can easily be changed into the other model (see below). The back cushion must be replaced when changing model. Both seats are prepared for the large range of accessories.



## MOUNTING / DISMOUNTING OF SIDES

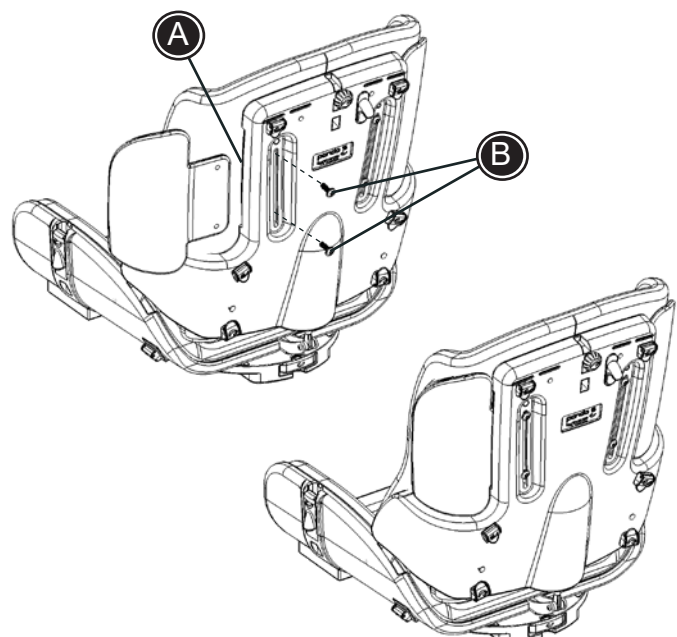
**E**  
**N** Follow the description below to mount/dismount the sides correctly:

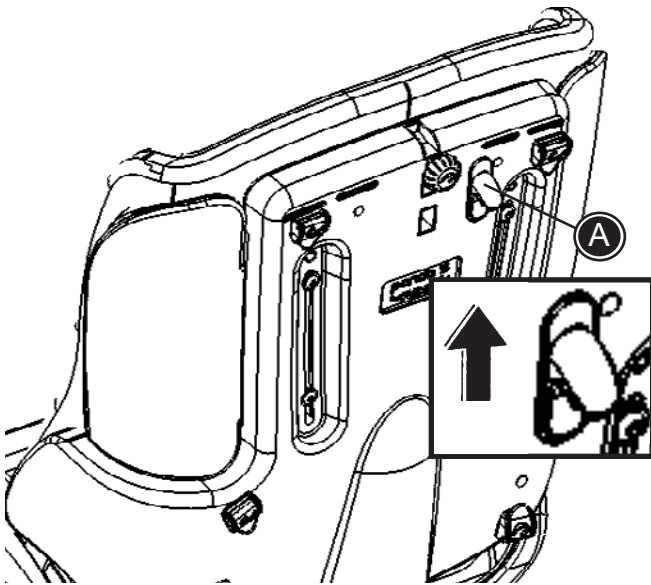
### Mounting:

- \* Place the sides in the slots of the back (A)
- \* Fasten from the back using the enclosed bolts and 5 mm Allen key (B)

### Dismounting:


- \* Remove the bolts (B) from behind using the enclosed 5 mm Allen key
- \* Remove the sides

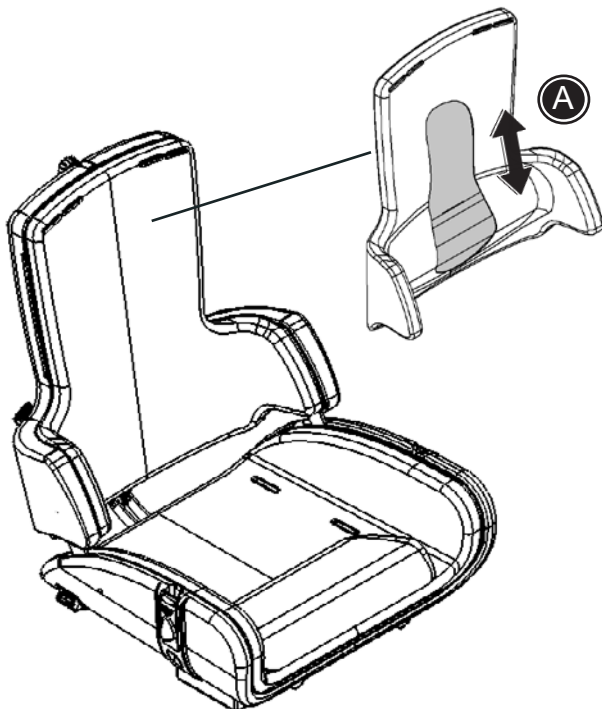




## BACK RECLINE

Push the handle (A) up to recline the back.

 To prevent sudden recline, firmly grab the back of the chair before pushing the handle.



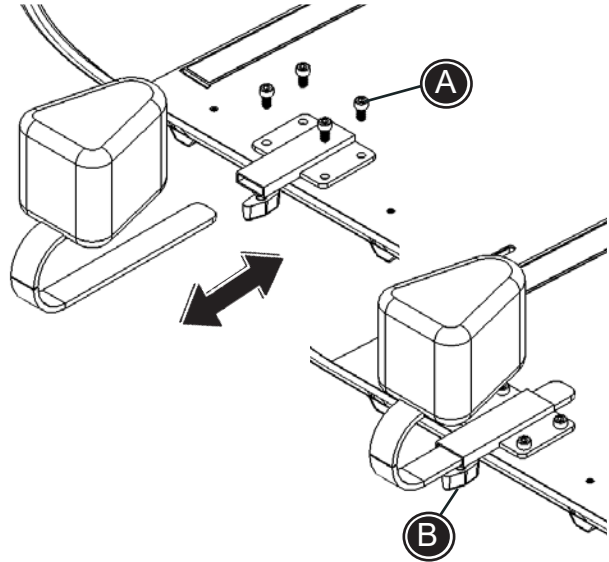
## LUMBAR SUPPORT

The Panda Futura 5 is delivered including adjustable lumbar support in the back cushion. Move the lumbar support up or down (A) according to the need for support.

## POMMEL

The Panda Futura 5 is prepared for mounting of pommel.

- \* Fasten the mounting bracket by using the enclosed 4 mm Allen key (A).
- \* The pommel is fitted into the bracket and is adjusted in depth by using the handle (B).



## SEAT EXTENSION

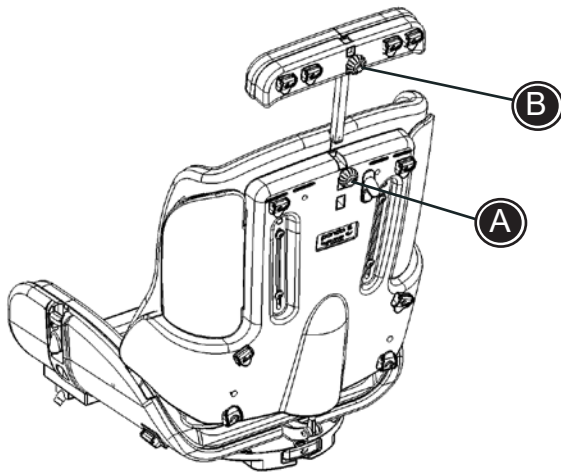
The Panda Futura 5 is prepared for mounting of seat extension.

- E**  
**N**
- \* Push the bars from the seat extensions into the two slots beneath the seat.
  - \* Slide into position and fasten with the enclosed bolts and 5 mm Allen key (A).



## BACK EXTENSION

The Panda Futura 5 is prepared for mounting of back extension.



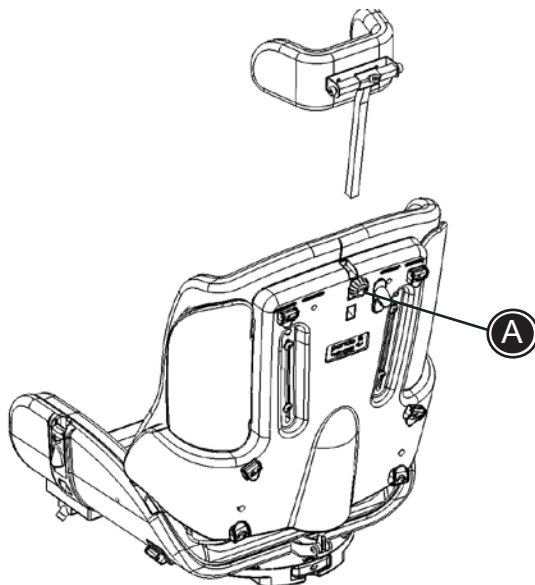
\* Mount the bar from the back extension into the fitting on the back and fasten with the thumbscrew (A).

\* Loosen the thumbscrew (A) or (B) to adjust the height.

**!** When adjusting the back extension, please be careful not to get fingers caught between the back of the chair and the back extension.

## HEAD SUPPORT

The Panda Futura 5 is prepared for mounting of head support.

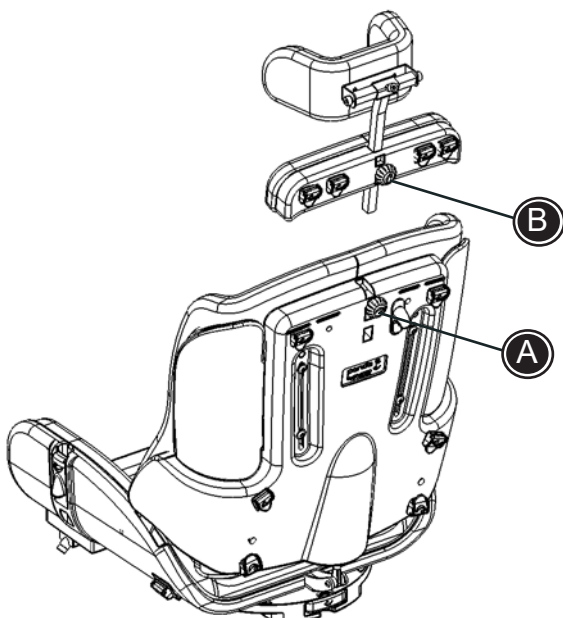


\* Mount the head support bar into the fitting on the back and fasten with the thumbscrew (A).

**!** When adjusting the head support, please be careful not to get fingers caught between the back of the chair and the head support.

## BACK EXTENSION AND HEAD SUPPORT

Follow the description below to mount back extension and head support at the same time.



\* Slide the head support bar through the hole in the back extension and into the slot on the back.

\* Adjust the height of the head support and fasten with the thumbscrew (A).

\* Adjust the height of the back extension and fasten with the thumbscrew (B).

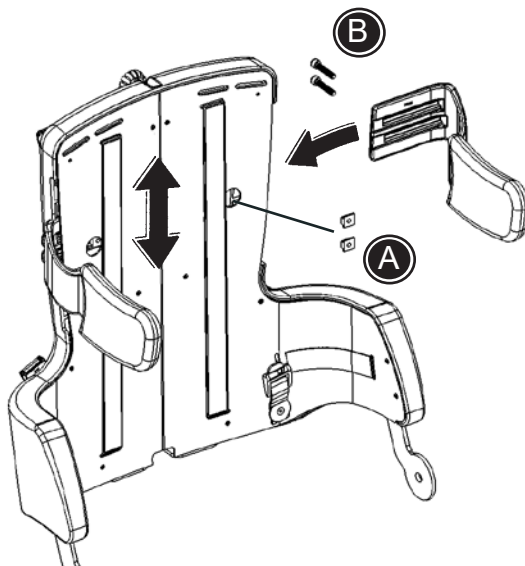
**!** When reclining the back, please be careful not to get fingers caught between the back and the seat.

**!** Warning 05. Squeezing hazard between the head support and frame/pushbrace when adjusting the back

## SIDE SUPPORTS

The Panda Futura 5 is prepared for mounting of side supports.

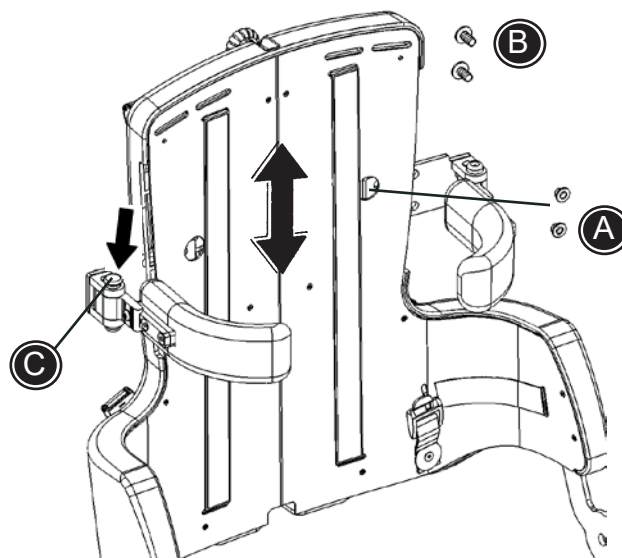
- \* Place the side supports in the slots.
- \* Place the nuts, one by one, through the hole (A) in the back and into the slots in the side support.
- \* Fasten from behind with enclosed bolts (B) and 5 mm Allen key.
- \* Adjust the height and fasten.




## SWING-AWAY SIDE SUPPORTS

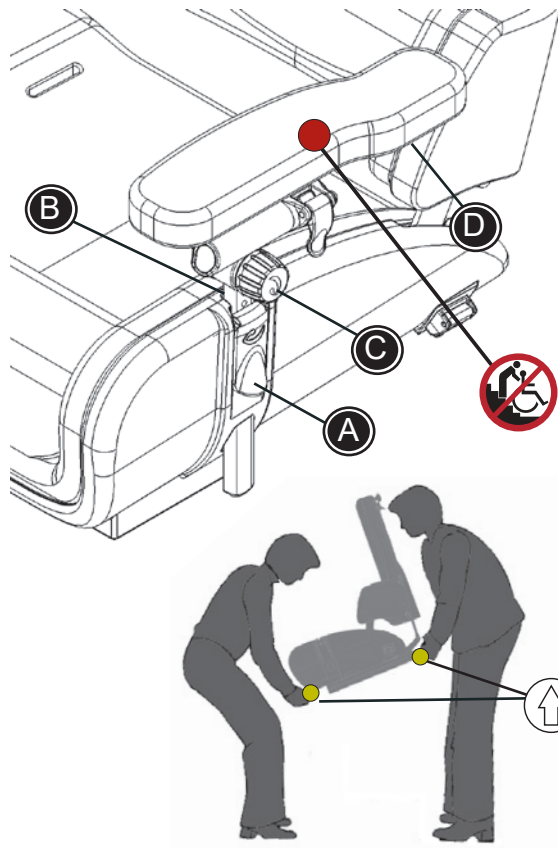
The Panda Futura 5 is prepared for mounting of swing-away side supports.

- \* Place the side supports in the slots.
- \* Place the nuts, one by one, through the hole (A) in the back and into the slots in the side support.
- \* Fasten from behind with enclosed bolts (B) and 5 mm Allen key.
- \* Adjust the height and fasten.



The swing-away side supports are released by pressing the red button (C) and then swing away.

 The carer should check and oil the swing-away parts occasionally - at least every 3 months.




## ARMREST


**Height adjustment:**  
Open the handle (A) to move the armrest into position. Place the small screw (B) in desired height position. Close the handle after adjustment.

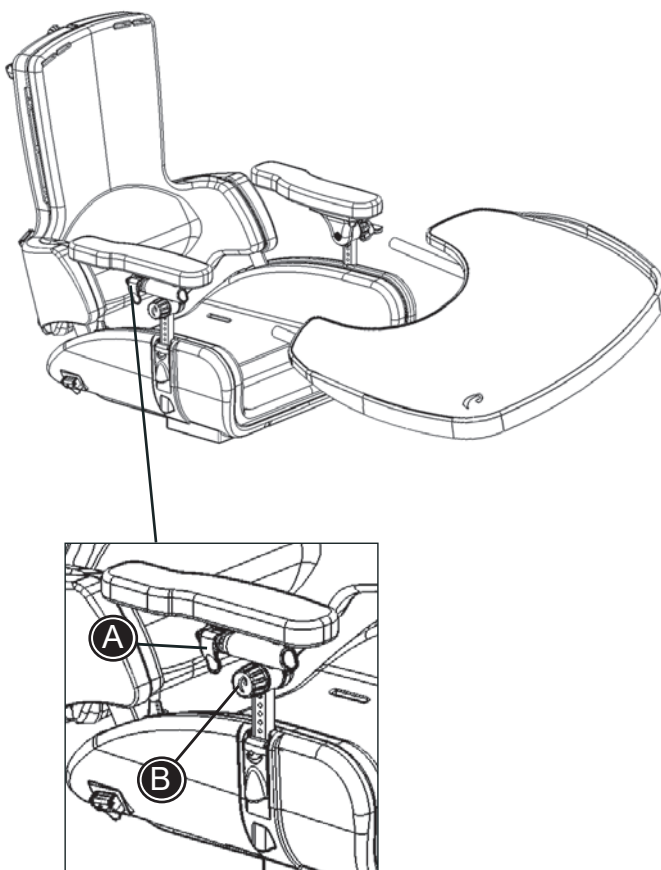
**Tilting the armrest cushion:**  
Loosen the handle (C).

**Adjust and angle of the armrest cushion sidewise:**  
Loosen the screws (D) beneath the cushion.

Arm rest height above seat cushion  
170 - 350 mm (6½ - 13½")

 When adjusting the arm rest, please be careful not to get fingers caught between the chair and the armrest.


 Do not carry the product by the armrest



## TRAY

A) Mounting and depth adjustment

B) Tilting the tray, by tilting the armrests.

 The tray can only be mounted on a Panda Futura 5 equipped with armrests.

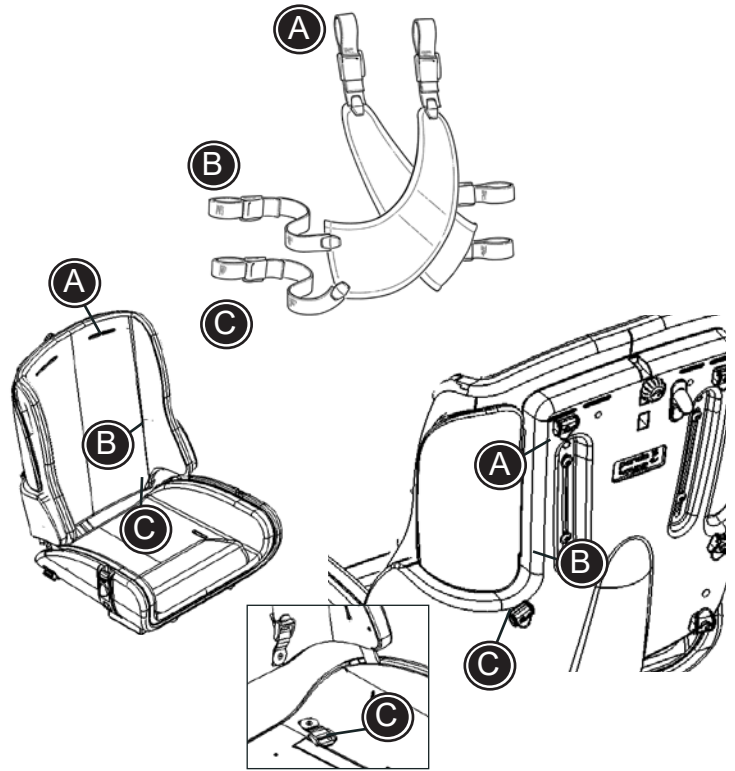
## CROSS VEST

The vest and cross vest can be opened and closed by using the buckles and the zip.

- \* Mount the shoulder straps through the hole in the back cushion and into the fixlock fittings on the upper back (A).
- \* Mount the upper straps in the sides in the fixlock fittings on the back (B).
- \* Mount the lower straps in the belt fittings on the lower back (C).



Take care that all the fixations and adjustments are placed and fitted correctly. Check these on a regular basis.



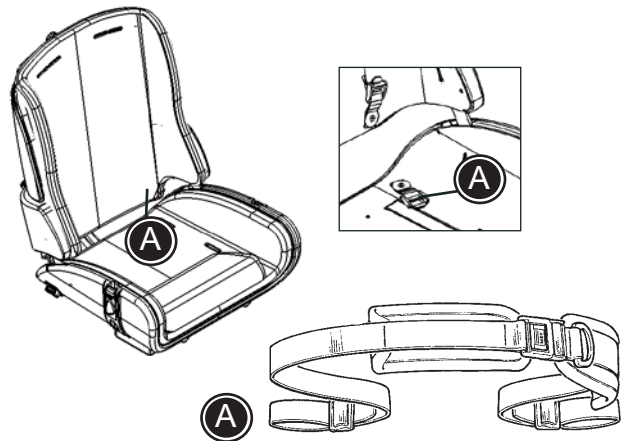
## HIP BELT

The hip belt can be opened and closed by using the buckles.

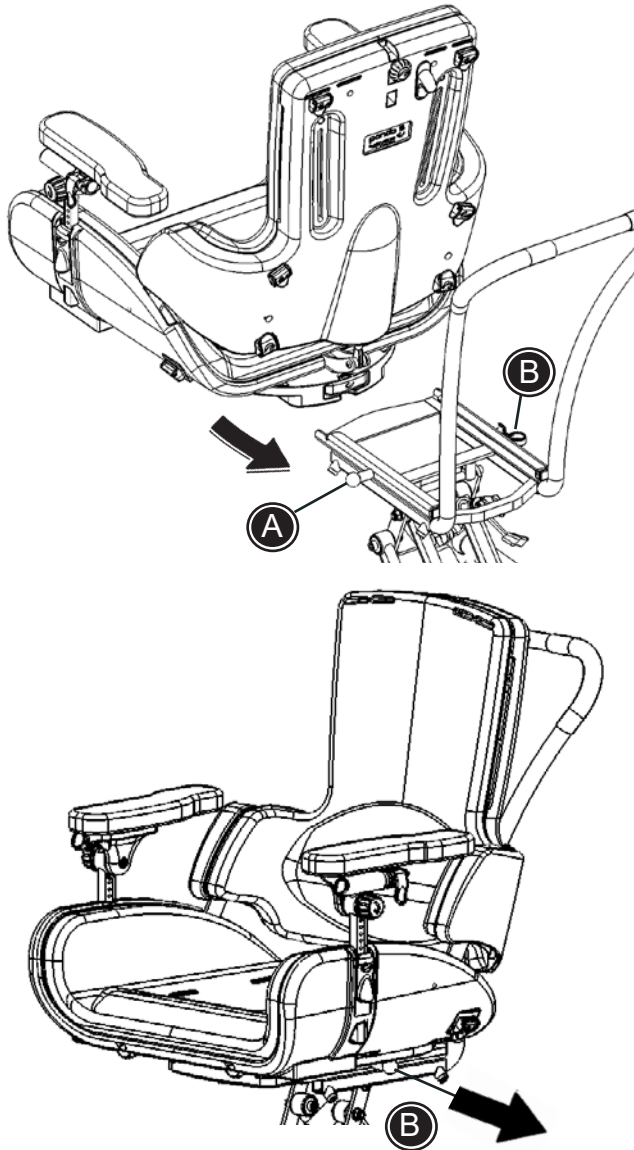
- \* Mount the straps in the belt fittings under the seat (A).



Take care that all the fixations and adjustments are placed and fitted correctly. Check these on a regular basis.







## PANDA FUTURA 5 ON HIGH-LOW:X FRAME SIZE 2

**!** This combination must not be used for severely spastic children with vigorous movements.

### To mount the seat:

Place the seat in the adapter and push it all the way back, until it „clicks” into place. Lock the red handle (A) to secure the stability of the seat.

**!** Do not use the first hole it „clicks” into. This is just the „safety hole” which will „catch” the seat if the knob accidentally should pop out of the correct hole.

### To dismount the seat:

Unlock the red handle (A). Pull out the knob (B), pull the seat forward, and lift at the same time.

**!** Max. load on the frame is 60 kg.

**!** The Panda Futura 5 can NOT be mounted on an frame size 1.


**i** We refer to the 'Frame Manual' for further information on version and functions of the frame size 2

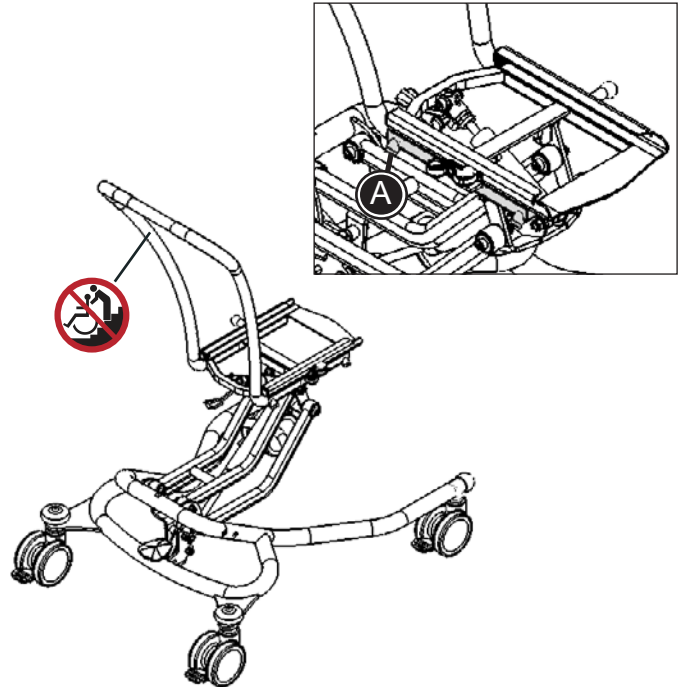
## PUSH BRACE FOR HIGH-LOW:X INDOOR FRAME

Depth adjustment:

Loosen the screws (A) on both sides of the frame and adjust the depth of the push brace. The push brace adjusts in two positions and clicks into place with the security nut.

Fasten in the required position.


 Never use the push brace to lift/pull the frame up or down stairs, landings, curbs ect. The frame can only be lifted by two persons grabbing hold of the frame. Never use the push brace to lift the frame.



## SWING-AWAY KNEE SUPPORTS

Attach the fitting (A) beneath the seat with the 4 mm Allen key. Insert the knee supports in the fitting and fasten with the 6 mm Allen key (B)

- \* Loosen the screws (C) with the 6 mm Allen key to adjust the angle of the knee support bars.
- \* Loosen the screws (B) or (D) with the 4 or 6 mm Allen keys to adjust the depth.
- \* The knee supports themselves are angle and sideways adjustable (E) using the 4 mm Allen key.
- \* Push down the red button on the fitting (F) to swing away the knee supports.

 The carer should check and oil the swing away parts occasionally - at least every 3 months.

