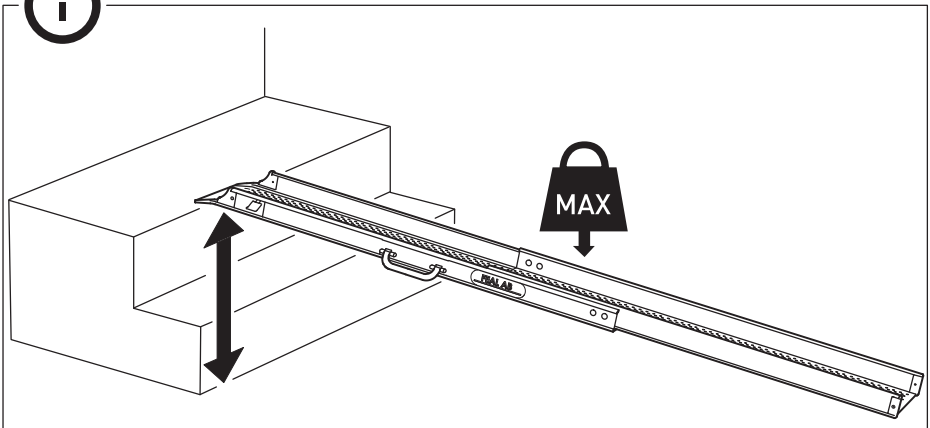
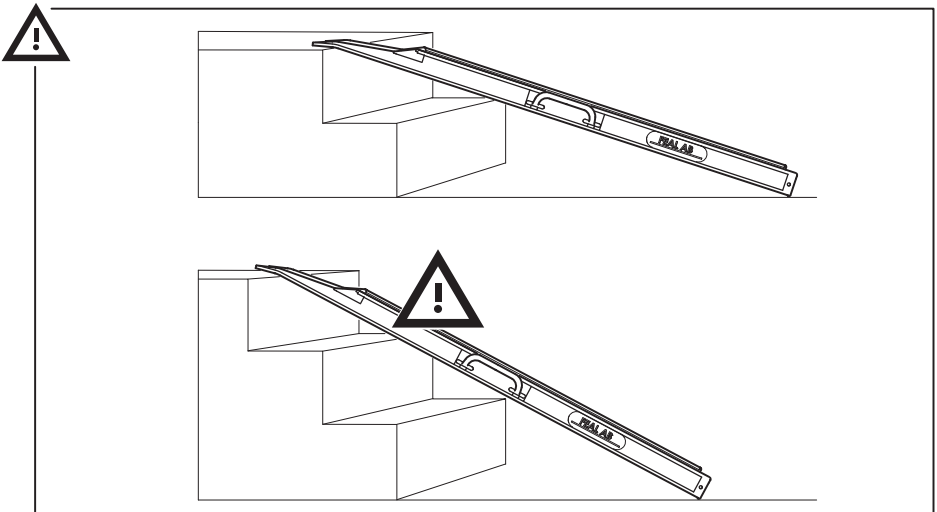
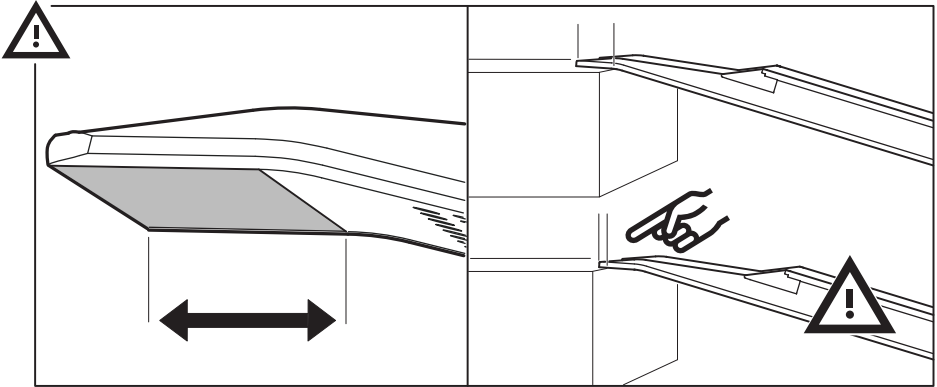
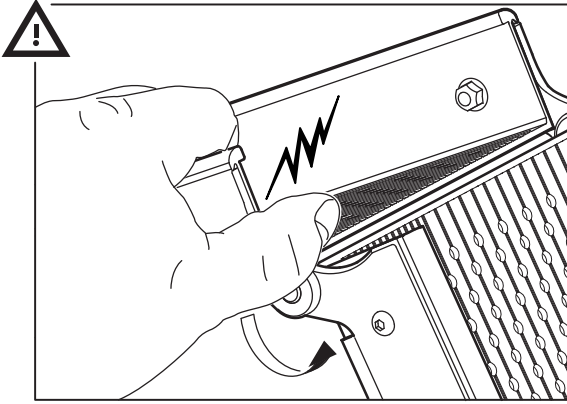


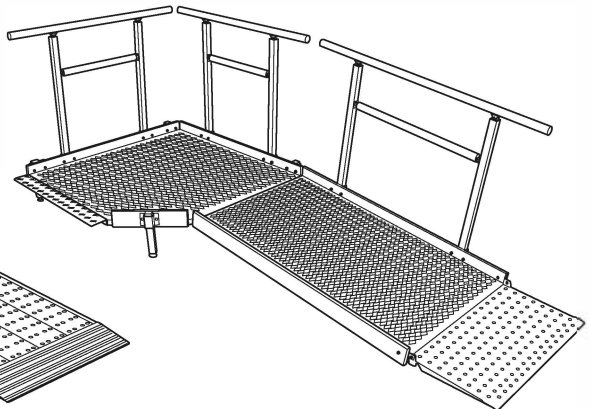
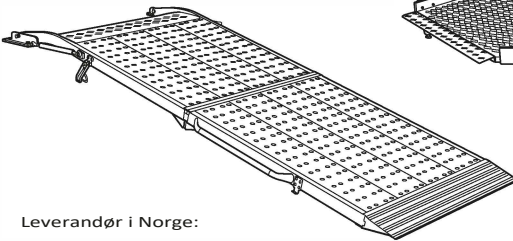
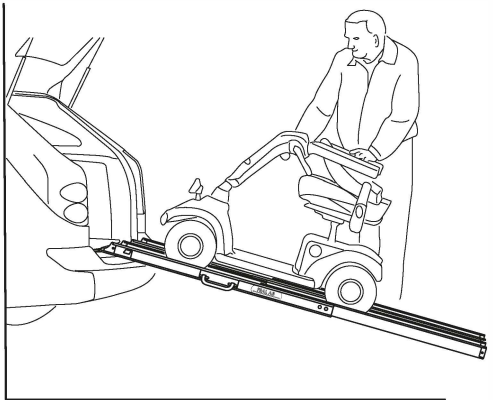
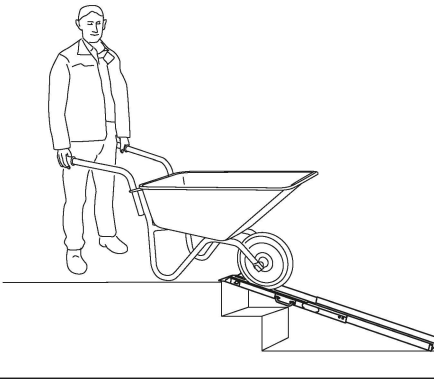
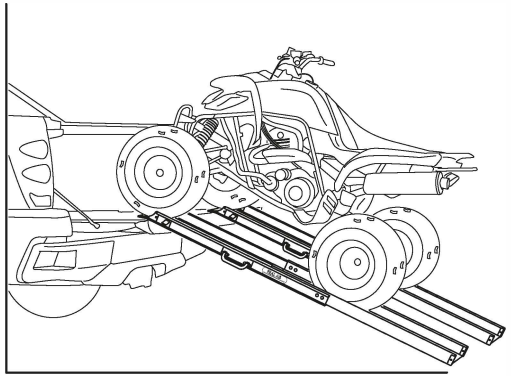
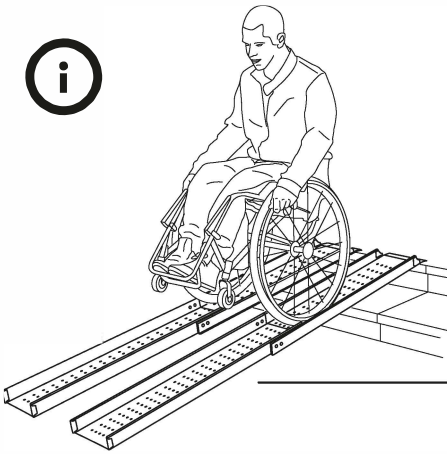
FEAL
...improving life

MAX xxx kg Rec: xxcm

Set nr. xxxxxxxx HMV Nr. xx . xx . xx . xxx
Made in Sweden by FEAL AB, S. Ind.omr. 77468 Horndal

A hand icon pointing to the right, located to the right of the text.





Leverandør i Norge:

Etac AS

Vanemveien 1, 1599 Moss

Postboks 249, 1501 Moss

Tlf 815 69 469

hovedkontor.norge@etac.com

www.etac.no

FEAL

...improving life

Södra Industriområdet 23

774 68 Horndal, Sweden

Phone: +46 226 - 400 75

Email: info@feal.se