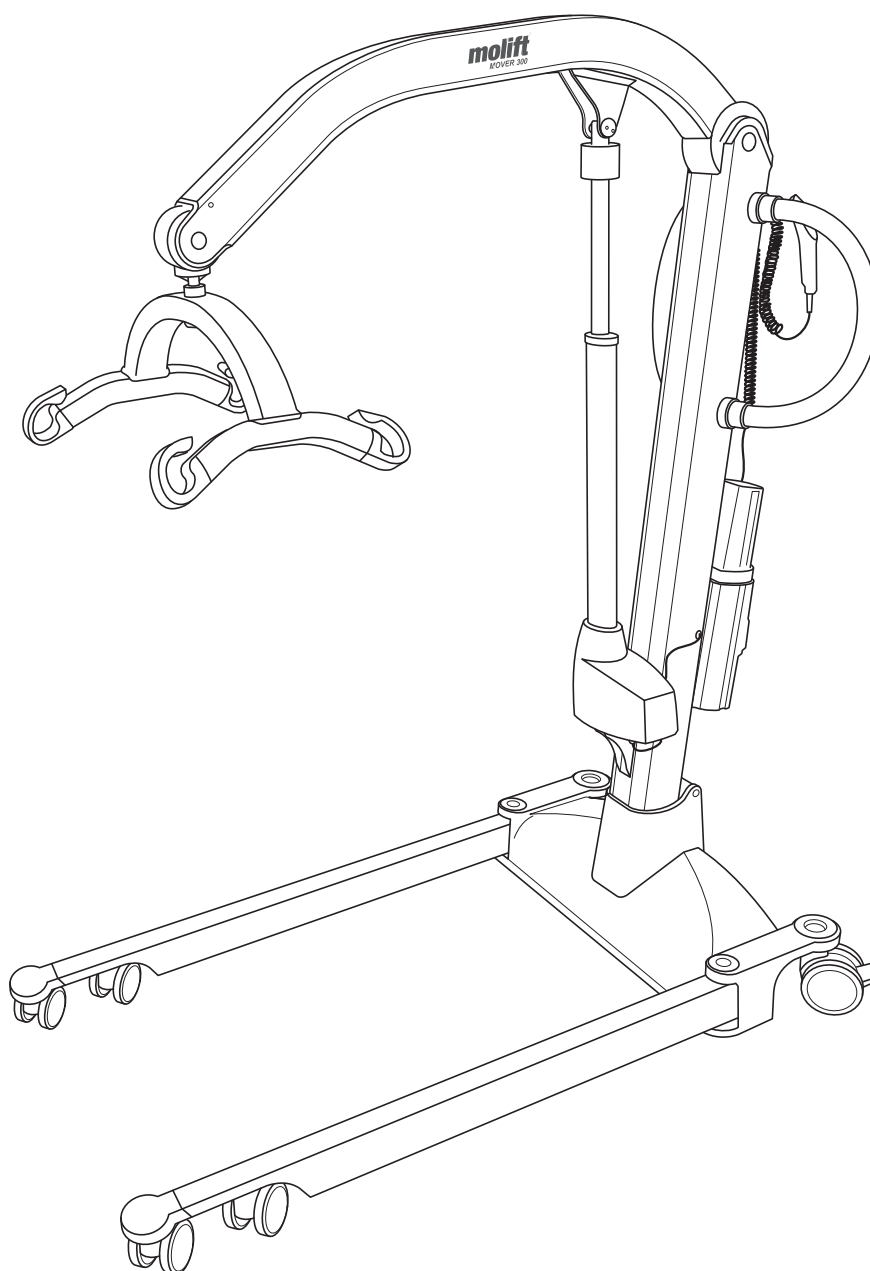


# Molift Mover 300 L

EN - User manual

**molift**<sup>®</sup>  
by Etac

BM06201 Rev. B 2021-08-04



<h1>Table of contents</h1>
----------------------------

<b>Table of contents</b> .....	<b>2</b>
<b>English manual</b> .....	<b>4</b>
Important .....	4
<b>Molift Mover 300 L</b> .....	<b>5</b>
About Molift Mover 300 L .....	5
<b>General</b> .....	<b>6</b>
Product identification.....	6
<b>Technical data</b> .....	<b>7</b>
<b>Assembly</b> .....	<b>8</b>
Lifting column.....	8
Mounting sling bar .....	8
Battery and hand control .....	8
Checklist after assembly.....	8
<b>How to use Molift Mover 300 L</b> .....	<b>9</b>
Before use / daily check / monthly .....	9
Hand control.....	9
Safety devices .....	10
Push handles.....	10
Brakes.....	10
Emergency stop / emergency lowering .....	10
<b>Electronics</b> .....	<b>11</b>
Transport and operating conditions.....	11
Battery.....	11
Battery and service indicator .....	11
Service scope .....	11

Charging .....	12
<b>Transfer .....</b>	<b>13</b>
Using slings.....	13
Lifting and lowering.....	13
Supporting arms (optional).....	14
Transfer .....	16
Lowering into sitting .....	16
<b>Accessories.....</b>	<b>17</b>
Sling bars and sling bars with scale .....	17
Castor with directional lock.....	17
Stretcher .....	17
Slings.....	17
<b>Maintenance .....</b>	<b>18</b>
Cleaning and disinfection.....	18
Reconditioning.....	18
Recycling .....	18
Spare Parts.....	18
<b>Periodic inspection .....</b>	<b>18</b>
Periodic inspection scope .....	18
<b>Troubleshooting .....</b>	<b>19</b>
Symptom.....	19
Possible cause / action.....	19

## English manual

### Important

This user manual contains important safety instructions and information regarding the use of the lifter and accessories.

In this manual the user is the person being lifted.  
The carer is the person operating the lifter.



**Warning!**

This symbol indicates important information related to safety.  
Follow these instructions carefully



**Read user manual before use!**

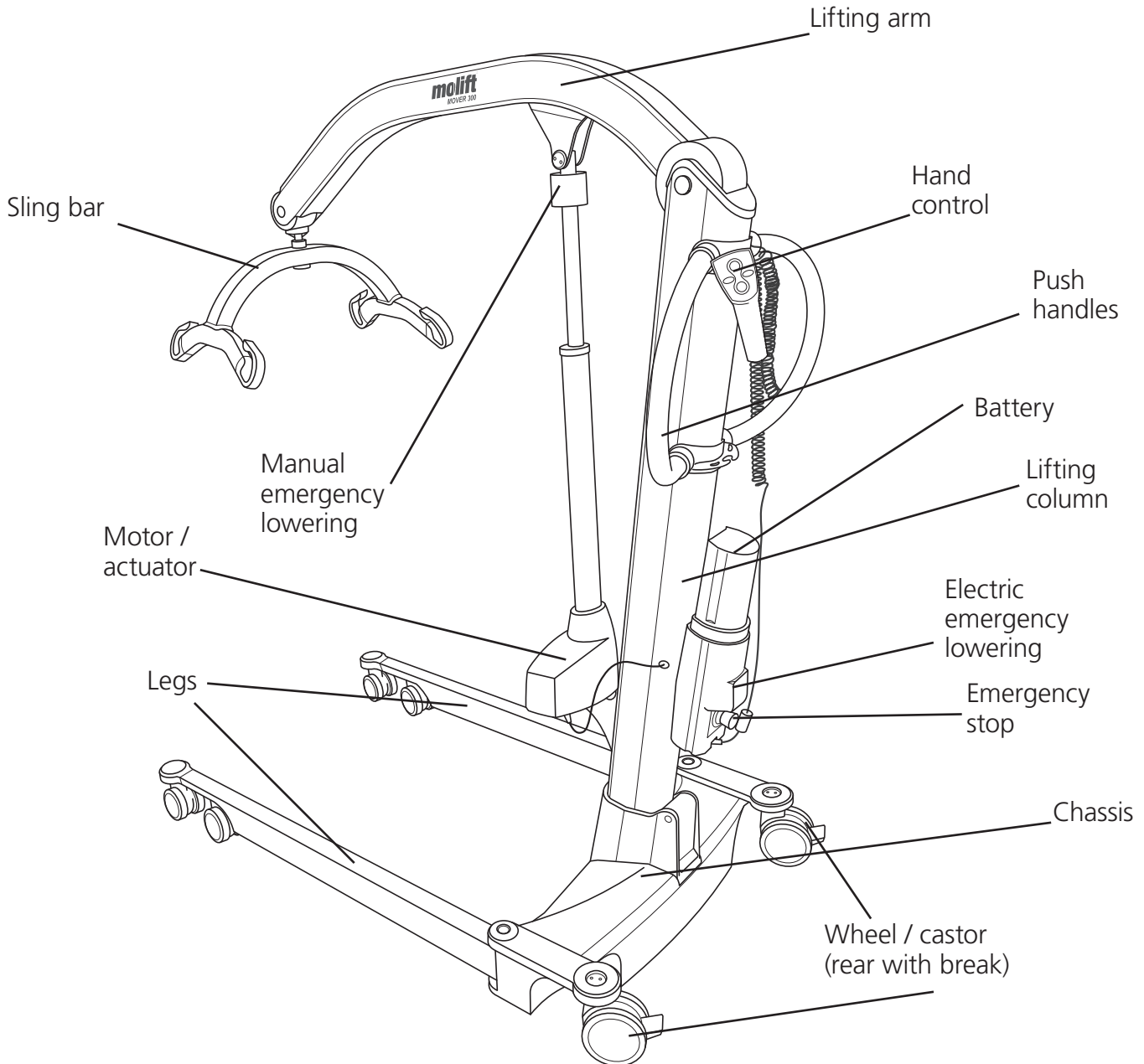
It is important to fully understand the content of the user manual before attempting to use the equipment

Visit [www.etac.com](http://www.etac.com) to download documentation to ensure you have the latest version.

## Molift Mover 300 L

### Lifter components:

Identification of those parts into which the lifter can be disassembled



### About Molift Mover 300 L

Molift Mover 300 L is a mobile lifter intended for lifting and transferring a person from/to bed, floor, chair, wheelchair or toilet with a sling. The lifter is made of light-weight materials, has castors and electric actuator and is powered by a battery. It has electrically adjustable legs and a lifting capacity of 300 kg (661 lbs).

It is ideal for institutional care settings but can also be used in private homes and nursing homes. The lifter should only be used for transfers across short distances, such as between a chair and a bed or into bathroom / rest room, and is not a replacement for wheelchair or similar.

# General

CE

**CE declaration**

The product, and its related accessories, described in this instruction for use (IFU), is in compliance with the regulation (EU) 2017/745 of 5. April 2017 – as a medical device, risk class I.

The product is manufactured and tested according to standards IEC 60601-1, IEC 60601-1-2 and EN/ISO 10535:2006.

Any serious incident that occurs in relation to the device should be reported to the manufacturer and the competent authority of the Member State in which the user and/or patient is established.

## Conditions for use

Lift and transfer of a person will always pose a certain risk and only trained personnel are allowed to use the equipment and accessories covered by this user manual.

## Modifications and use of components made by other manufacturers.

We recommend only using Molift components and spare parts. Declaration of conformity is not valid and Etac is not responsible for warranty if any modifications are made to the product. Etac shall not be liable for faults or accidents that can occur when using components made by other manufacturers.

⚠

**Only certified personnel are allowed to open lifter or accessories to perform service or repair. Risk of injury from rotating parts and electric shock.**

The lifter is not intended to be operated by the person being lifted.

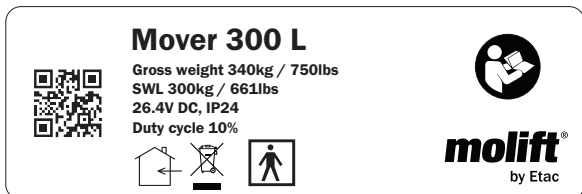
**Warranty**

Two-year warranty against defects in workmanship and materials of our products.  
 One-year warranty for batteries. Please refer to [www.etac.com](http://www.etac.com) for terms and conditions.

## Product identification

### Product label

The product labels barcode contain article number, serial number and production date.



### Warning labels and symbols

Symbols used on the product, explained in more detail:

- |  |                                 |  |                     |
|--|---------------------------------|--|---------------------|
|  | Type BF applied part            |  | Battery indicator   |
|  | CE marked                       |  | Manufacturer        |
|  | Refer to user manual            |  | Date of manufacture |
|  | Indoor use only                 |  | Catalogue number    |
|  | Do not dispose in general waste |  | Serial number       |
|  | Emergency lowering              |  | Medical Device      |
|  | Service indicator               |  |                     |

## Technical data

### Safe Working Load (SWL):

300 kg (661 lbs)

### Weight of unit:

Excl. battery and sling bar:

36 kg/79,3 lbs

Chassis: 19 kg/41,8 lbs

Lifting column: 17 kg/37,4 lbs

Battery: 1,6 kg/3,7 lbs

4-point medium sling bar: 2,5 kg/7,3 lbs

### Battery:

Art: 1341000

26.4 V NiMH 2.6 Ah

### Battery charger:

100-240 V AC, 50-60 Hz

0,9 A output

### Lifting speed:

32,6mm/second (1,28 inches/second)

with 75kg (165,35 lbs) load

### Protection class:

Hand control IP24

Lift motor IP24

### Maximum A-weighted sound power level:

$L_{WA} = 63,2$  dB

### Operating forces button:

Buttons on handset: 3.4 N

### Material:

Steel, aluminum, plastic

### Motor:

Lifting motor/actuator: 24 V DC

Leg spreading motor: 12 V DC

### Turning diameter:

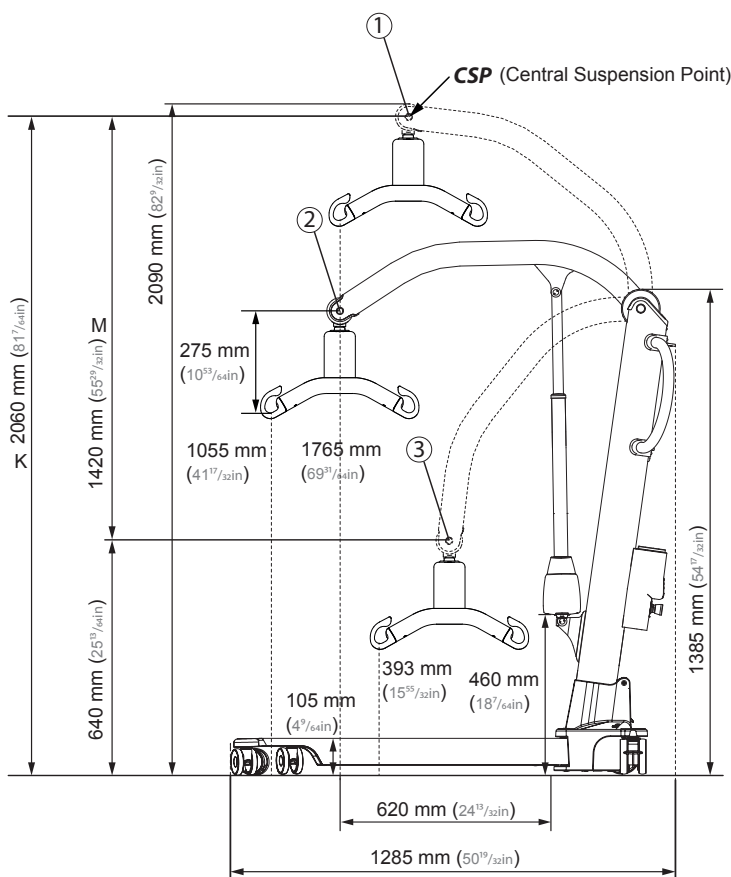
1400 mm (55.1 inches)

### Number of lifts with fully charged battery:

50 lifts ( 75 kg / 165 lbs, 50 cm / 20 inches)

### Expected lifetime:

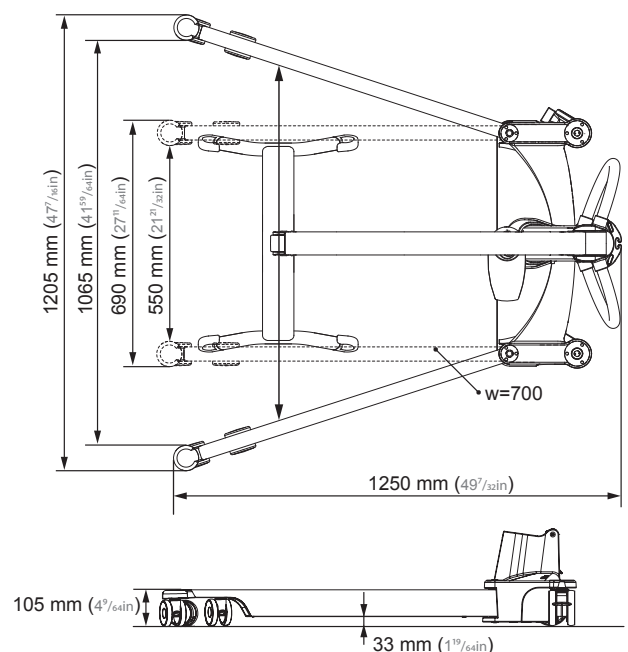
The lifter has an expected lifetime of 30 000 cycles or 10 years.



① Highest position: 2060 mm (81<sup>7</sup>/<sub>16</sub>in)

② Max reach: 1330 mm (52<sup>23</sup>/<sub>16</sub>in)

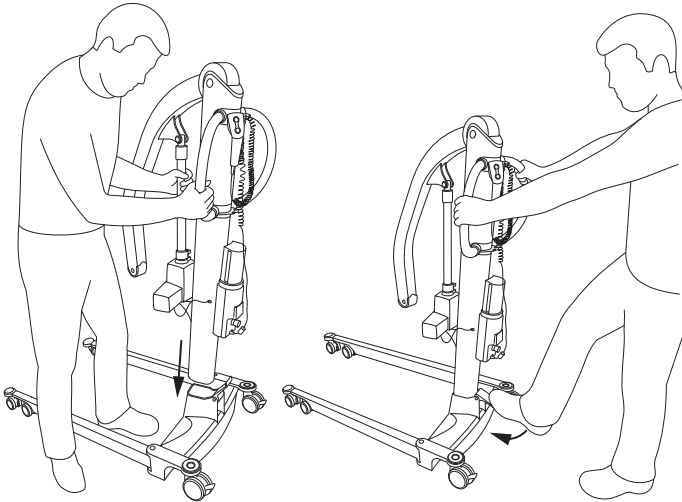
③ Lowest position: 640 mm (25<sup>13</sup>/<sub>16</sub>in)



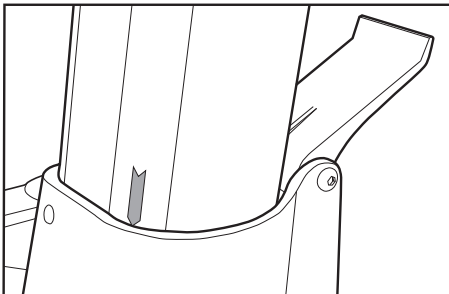
# Assembly

Charge the battery. The battery must not be in the battery holder during assembly!

## Lifting column



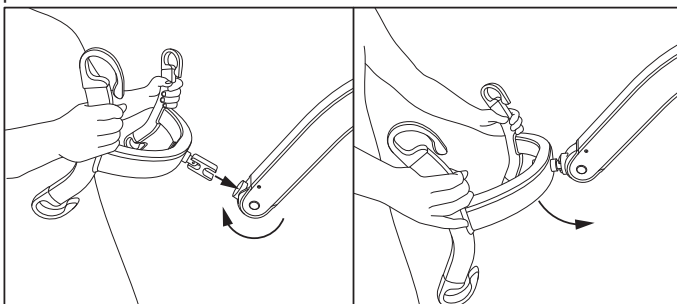
Place lifting column in chassis. Make sure that the red arrow on the lower part of the column corresponds with the edge of chassis. Make sure screw on column is inside the hole on chassis. This will prevent the column from unintentionally being lifted out of chassis when lock handle is pushed down.



Fix the column by pushing the lock handle on the back all the way down.

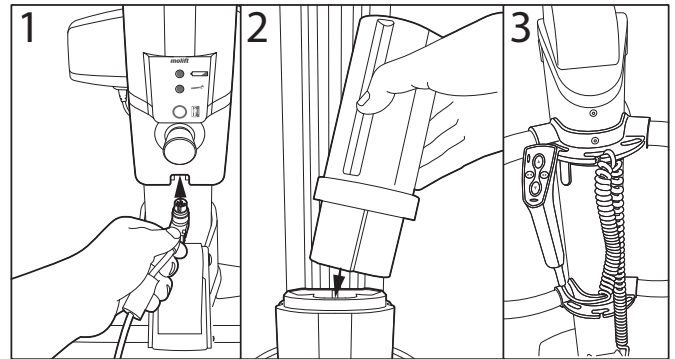
## Mounting sling bar

Turn connection point on lifting arm in top position.



Insert bolt on sling bar in connection point to mount sling bar. When bolt is completely inside the sling bar is mounted and can rotate freely.

## Battery and hand control



1. Connect hand control to bottom of battery holder.
2. Insert battery.
3. Connect hand control wire to push handle so it does not fall to the floor when dropped.

## Checklist after assembly



**Do not start using lifter before completing control according to checklist after assembly.**

Use this checklist to verify that the lifter is properly installed and can operate correctly and safely before use.

- Ensure that the lifting arm, lifting column and sling bar are properly fixed and that there are no loose parts on the lifter.
- Make sure battery is charged (no lights on the battery lamps).
- Check that the lifter has no apparent damage or other faults.
- Perform one lift with load (60-80 kg)



# How to use Molift Mover 300 L

## General safety precautions


Only use accessories and slings that are adjusted to fit the user, type of disability, size, weight and type of transfer.

## Working pause ratio/Duty Cycle.


Molift Mover 300 L should not be run constantly for more than 2 minutes (with maximum load), and rest for minimum 18 minutes. Duty Cycle 10%. (Intermittence according to standard ISO-EN 10535)

## Safe Working Load

The lifter is marked with Safe Working Load (SWL)



The lowest SWL shall always be used if safe working load (SWL) differs between lifter, sling bar and body support unit.



Molift lifters shall only be used to lift persons. Never use the lifter to lift or move objects of any kind.

## Before use / daily check / monthly

Inspection to be performed daily or before use:

- Make sure lifter has no visible damage, defects or deformations
- Make sure sling bar connection and all detachable parts are properly connected and secured
- Make sure battery indicator is not illuminated and service light is green
- Make sure sling strap does not have visible damage or frays.
- Make sure wheels are rolling freely and lifter is easy to maneuver

- Test run lifters operation functions and make sure lifter does not make any abnormal sounds
- Test emergency stop button and emergency lowering

If there are any faults or defects, the lift needs to be taken out of operation and marked "out of order"

Inspection to be performed monthly:

## Hand control

The hand control has 4 buttons for lifting and lowering of lifting arm and leg spread mechanism in and out.

The Hand control has an indicator light that will illuminate when battery level is low and the lifter requires charging

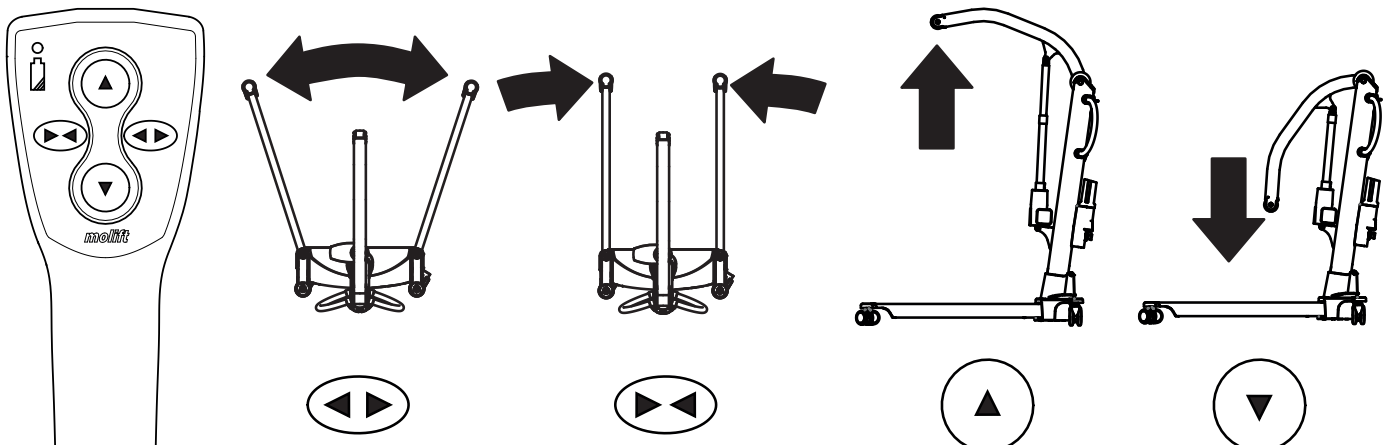
### Lifting arm - Up / Down

NB! The lifter is most unstable in top position.

### Legs - In / Out

NB! Spreaded legs provides increased stability and better access to chair or toilet.

Hand control 4 buttons  
Art. no. 2018004



## Safety devices

Molift Mover 300 L is equipped with several safety devices, which are intended to prevent damage or injuries to personnel and equipment in the case of incorrect use.

The lifter has an overload sensor preventing the lifter to be operated if the load exceeds SWL.

The lifting arm is hinged to prevent the arm and sling bar from squeezing the user. The actuator will not produce any force when moving downwards.

The electronics are disabled if overheated. Wait until the lifter has cooled down before using it again.

## Push handles

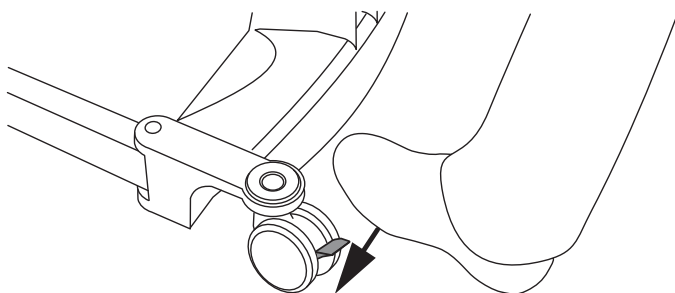
Use the push handles to move the lifter.



**Do not push or pull the user, lifting arm or actuator. This may cause stability problems and lifter may tip over.**

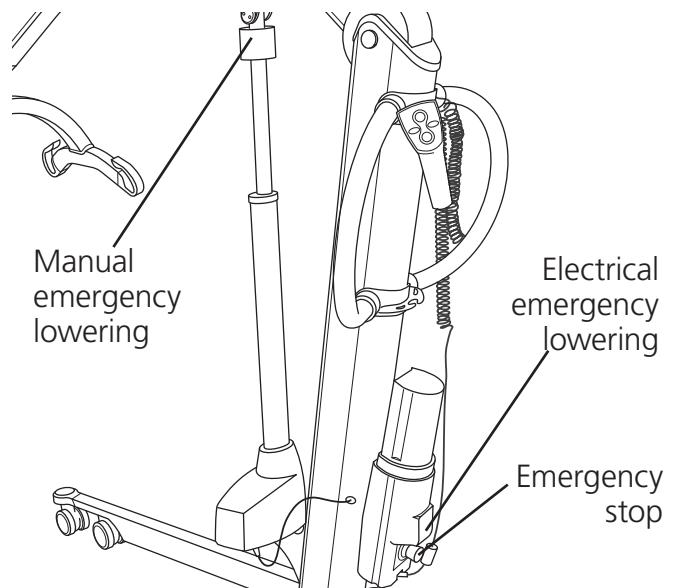
The lifter shall only be used for movement over short distances. It is not a replacement for wheelchair or similar.

## Brakes



Rear wheels/casters are equipped with brakes. Step on lever to lock brakes. Flip up to unlock.

## Emergency stop / emergency lowering



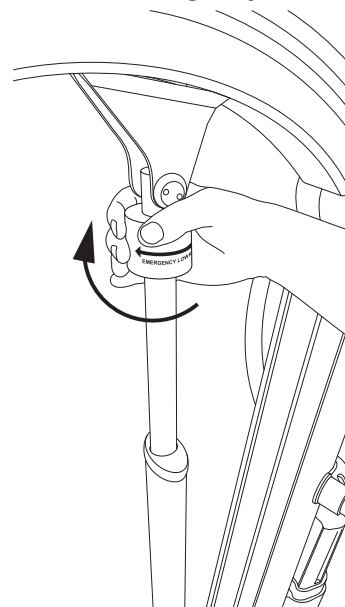
### Emergency stop

The emergency stop shuts off the power when pushed in. Turn clockwise to reset (OK to operate when the green ring is visible).

### Electrical emergency lowering

Push and hold button for electrical emergency lowering to lower lifting arm. The electrical emergency lowering function does not work when the emergency stop is activated.

### Manual emergency lowering



Turn the top of the actuator clockwise and the lifting arm moves downwards if under load.

The manual emergency lowering function on the actuator should only be used when the electrical emergency lowering does not work.

# Electronics


## Transport and operating conditions

### Transport and storage

For long time storage it is recommended that the emergency stop button is activated (pushed in). The lifter can be stored and transported under temperatures between -25 - 70 °C.

### Operating


The lifter is designed for use at standard room temperatures (+5 to +40°C).  
 Air pressure: 70 - 106 kPa  
 Relative humidity: 15 - 93 %  
 Following storage or transport at other temperatures leave the lifter in a room with a suitable temperature until it reaches a safe operating temperature.




**Medical electrical equipment requires special precautions regarding electromagnetic compatibility (EMC). Portable or mobile radio communication equipment may affect the medical electrical equipment, and should be kept minimum 25 cm (10 inches) from the lifters electronics.**

## Battery


Molift Mover 300 L has a 26.4 V 2.6Ah NiMH battery. The battery has a life expectancy of approx. 500 charging cycles.



**Recharge battery upon receipt, and then every six months, to avoid battery failure.**





**Used batteries must be disposed of as special waste according to local rules and regulations. Do not dispose in general waste.**



**Batteries must be fully charged and drained completely a couple of times before it achieves full capacity. Also follow this procedure if the lifter has not been in use for a long period (4 weeks or more).**

## Battery and service indicator

The lifter has two indicator lights on the battery holder.

	Service indicator
	Battery indicator

The electrical system has a power save function which will turn off the electrical system after ten minutes without activity. All lights will turn off. The system is activated when pushing one of the operating buttons

### Battery indicator (LED)

The battery indicator light will illuminate and make a sound when battery level is low and the lifter requires charging. When this occurs the lifter will have sufficient power available for one full lifting cycle with max load. When battery is critically low it is only possible to lower the lifting arm.

### Service indicator

The lifters electronics record the loads lifted and number of lifts. After a certain period of operation a signal is given to indicate that service is required.

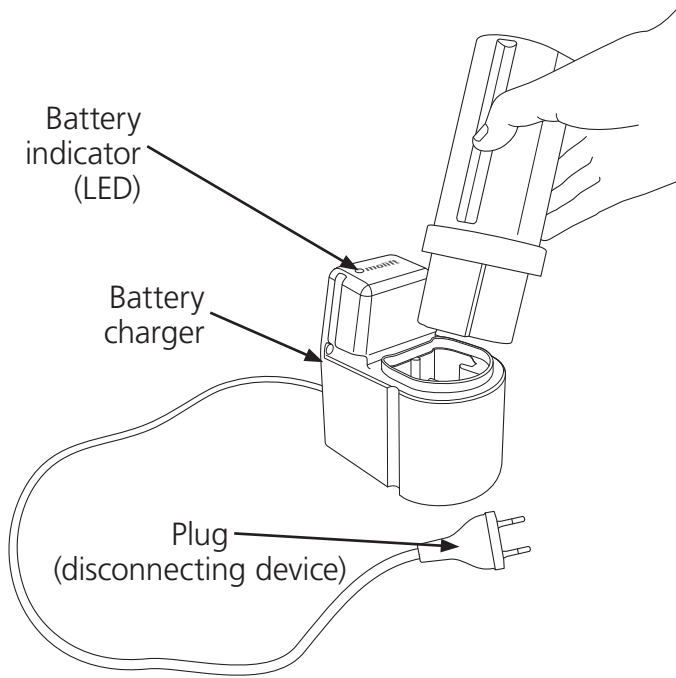
<i>Service indicator</i>	<i>Mode</i>
No light	Power saving (Stand by)
Green	Ready for use
Yellow	Order service
Red	Perform service
Red + sound	Perform service immediately

## Service scope

Service involves replacing the lifting motor and inspection/replacement of worn parts. This must be carried out by authorized personnel.

Service is needed when the service indicator is red (calculated 10.000 lifts in SWL).

## Charging



### Battery Charger

The battery charger can be used as a tabletop charger or mounted to a vertical wall surface close to a power outlet, minimum 120 cm above the floor. The charger has to be used outside the patient environment. The charger must be placed or installed in a way that makes it easy to disconnect the plug. Take care not to damage the cable. The charger can be connected to the power outlet at all times.

Battery charger 12-24V  
Art. no. 1340100

### Charger indicator (LED)

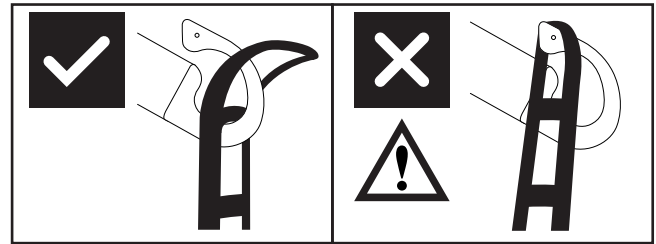
Description of charger indicator (LED):

<b>LED</b>	<b>Mode</b>
Yellow	Ready for use, no battery connected
Yellow	Initialization
Red	Fast charge
Green/Yellow	Top-off charge
Green	Trickle charge
Red/Green	Error

## Transfer

Plan the lifting operation in advance to ensure that it is as safe and smooth as possible. Remember to work ergonomically. Assess the risks and take notes. The carer is responsible for the safety of the user.

Molift Mover 300 L can be used with 4-point sling bar for different types of transfers; sitting, recumbent or ambulating.



The sling bar's hook design prevents sling to be inadvertently detached when mounted correct.

### Using slings

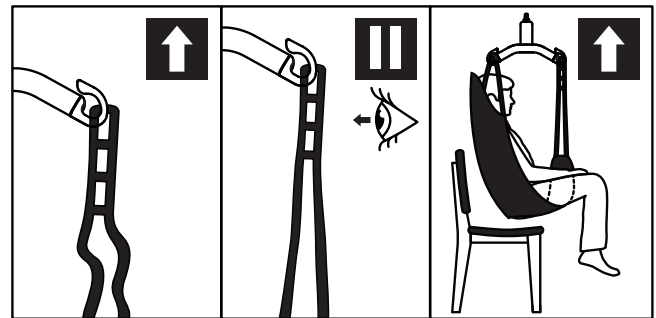
It is important that the sling has been tested with the individual user and for the intended lifting situation.



Read user manual for the sling prior to use.



Do not use damaged or badly worn slings.



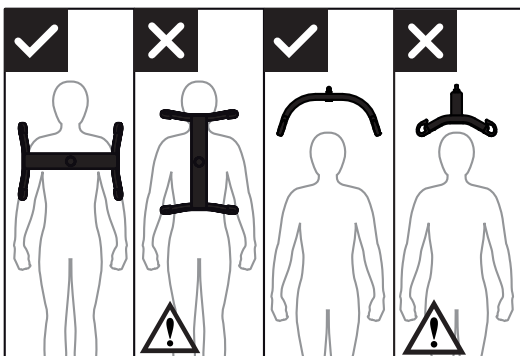
1. Check that the sling is correctly fitted around the user and that the strap loops are correctly fitted to the sling bar hooks.
2. Stretch the sling straps without lifting the user. Ensure that all four loops of the sling are securely fastened to avoid the user slipping or falling.
3. Lift user, and perform transfer.

### Slings made by other manufacturers

We recommend only using Molift slings. Etac shall not be liable for faults or accidents that can occur when using slings made by other manufacturers.

### Lifting and lowering

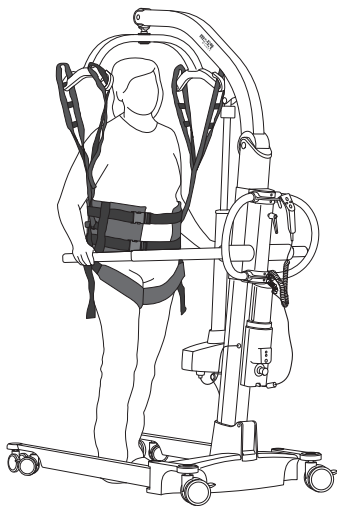
When moving the user, stand to the side of the person you are lifting. Make sure that arms and legs do not obstruct the seat, bed, etc. Keep eye contact with the user to help the user feel safe.



The sling bar must always be positioned across the user, to prevent the user from unintentionally sliding out of the sling.

## Supporting arms (optional)

The lifter can be used for gait training with supporting arms.



### Supporting arms - general information



The supporting arms only function as support to the user. The supporting arms are in no way intended to carry the total weight of the user.



Read the section about Supporting arms carefully prior to use.



It is important to understand and be familiar with the equipment. Only trained personnel should operate the equipment. Show caution and care when using the lift and its accessories. The carer is responsible for the safety of the user.



Check the supporting arms and bracket for damage, cracks, and loose parts. The supporting arms are not to be used in case of any findings.

Lifter can be delivered with supporting arms, or complete lifting column with supporting arms can be delivered as an accessory to swap with original lifting column.

Lifting operation can be performed with supporting arms installed.

Column with supporting arms:  
Art. no. 1511002

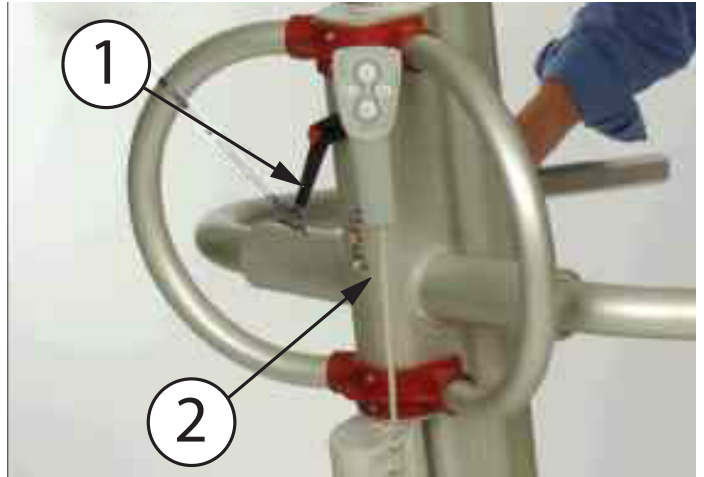
Safe Working Load (SWL) per arm:  
60 kg (132 lbs)

Height of supporting arms:  
90 - 150 cm (adjustable)

### Supporting arms - operating

Place the bracket ② for supporting arms in the desired height.

Turn lock handle ① clockwise to tighten bracket in position.



For optimum grip, pull lock handle ① out and rotate it freely. Push it then back in to turn and tighten further.



Ensure lock handle is securely tightened to avoid supporting arms from sliding.

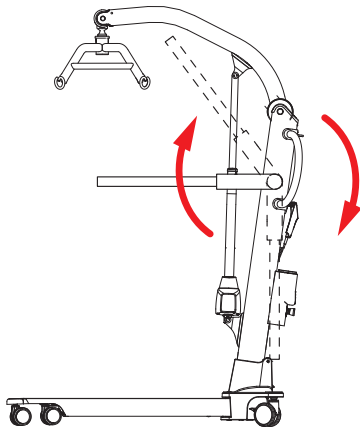


Position lock handle in suitable position to avoid obstructing the operation of the lifter.

When needed to release locking arms, turn lock handle ① counterclockwise.



To retract the supporting arms, swing the supporting arms upwards 270 degr.



#### Using as walking aid



Read user manual for the ambulating vest on how to apply and use it.

Ensure supporting arms are in the correct height for supporting the user.

Chest height of the user while seated can be a guideline before lifting the user

#### Cleaning instruction

See chapter "Maintenance"

## Transfer



Try to position the user as low as possible (preferably resting the feet on the chassis) when transferring the lifter with a suspended user. In this way the centre of gravity will be low and reduce the risk of instability.



**Never lift the user higher than necessary to carry out a lift. Remember that wheels on a mobile lift must NOT be locked.**



**Never leave a user unattended in a lifting situation.**

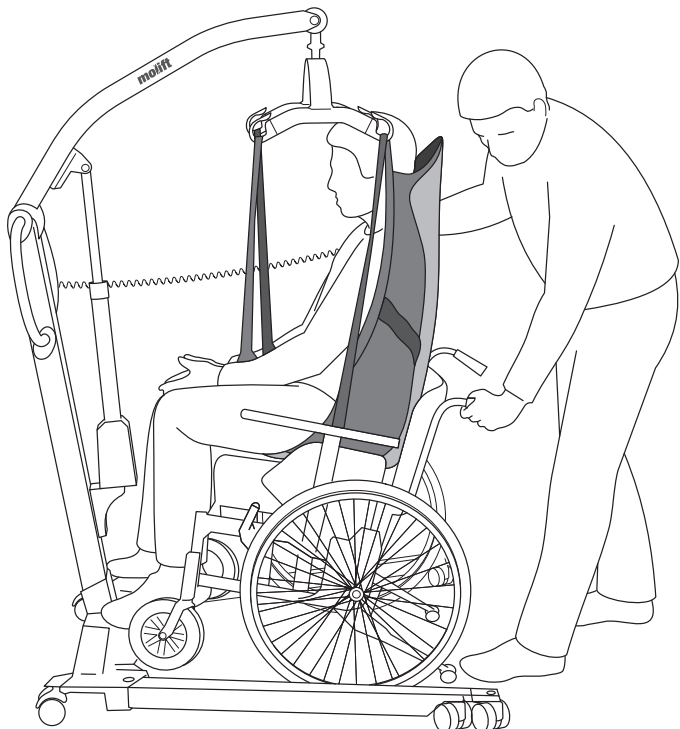
Be careful during movement, the suspended user may swing during turns, stops and starts. Be careful when manoeuvring close to furniture to prevent the suspended user from colliding with these objects.



**The lifter shall not be used to lift or move users on sloping surfaces.**

Avoid deep pile carpets, high thresholds, uneven surfaces or other obstacles that may block the castors. The lifter may become unstable if forced over such obstacles increasing the risk of tipping over.

## Lowering into sitting

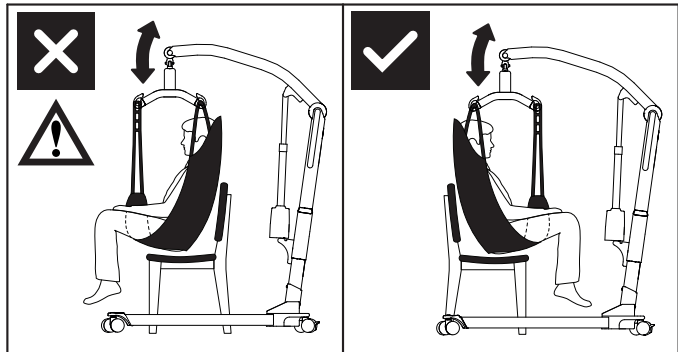


When transferring the user into sitting, the following techniques can be used when lowering the user as far back into the seat as possible:

- A Position the user with the help of the push handle
- B Push gently on the users knees
- C Tilt the seat backwards



**User must be facing lifter when lifting or lowering from or into a chair.**





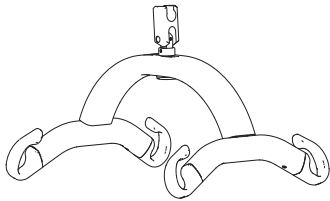
## Accessories

Recommended optional equipment and accessories for Molift Mover 300 L.

### Sling bars and sling bars with scale

Molift Mover 300 L can be used with a 4 point sling bar. Sling bars are available with or without Molift Scale. Molift Scale is approved Class III. The scale can also calculate BMI (Body Mass Index).

#### 4-point sling bar



4-point Medium, aluminum, width = 450 mm,  
Art. no.: 1530101  
Art. no.: 1530110 (Incl. Molift Scale)

4-point Large, aluminum, width = 550 mm,  
Art. no.: 1530102  
Art. no.: 1530111 (Incl. Molift Scale)

4-point Extra large, aluminum, width = 650 mm,  
Art. no.: 1530103

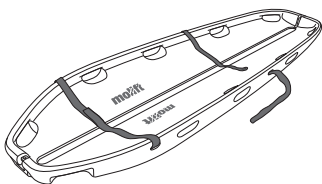
### Castor with directional lock

Art. no. 1320140

This castor has no brake, therefore we recommend to change only one of the castors.

### Stretcher

The Molift stretcher can be used in combination with all Molift 4-point sling bars on Molift Mover 300 L.



Scoop stretcher MRI compatible (SWL 300 kg)  
Art. no.: 2150108

### Slings

Etac supplies a wide selection of slings for different types of transfers. The Molift RgoSling sling series is developed to be combined with a 4-point sling bar, (also works with a 2-point sling bar). The Etac EvoSling series is developed to be combined with a 2-point sling bar. See the combination list in the slings user manual for the correct sling and sling bar combination. The sling series is available in sizes XXS – XXL, in polyester and polyester mesh.

#### RgoSlings:

RgoSling Mediumback Padded (XS-XXL)  
RgoSling Highback Padded (XS-XXL)  
RgoSling Mediumback Net (XXS-XXL)  
RgoSling Highback Net (XXS-XXL)  
RgoSling Toilet Lowback (XXS-XXL)  
RgoSling Toilet Highback (XXS-XXL)  
RgoSling Ampu Mediumback (XXS-XXL)  
RgoSling Ampu Highback (XXS-XXL)  
RgoSling Ambulating Vest (XXS-XL)  
RgoSling Comfort Highback (S-L)

#### Accessories:

RgoSling Extension Loops  
RgoSling Ambulating Vest Groin strap (XXS-XL)

## Maintenance

### Cleaning and disinfection

Clean on a regular basis. Clean surfaces with a damp cloth using an appropriate pH-neutral detergent. Do not use solvents or strong liquids, this may damage surfaces on the lifter. For disinfection when needed; use isopropyl alcohol. Avoid abrasive cleaning products. Remove hair and pile from the castors and verify that the castors rotates freely. Clean contact and hand control with isopropyl alcohol to remove grease and dirt. Check emergency stop and emergency lowering after cleaning. The lift should not be exposed to running water.



Make sure not to damage or remove labels when cleaning.

### Reconditioning

Follow cleaning and assembly procedure, complete periodic inspection and use checklist after assembly to recondition the lifter.

### Recycling

Refer to "Recycling instructions" on how to properly dispose of the product. "Recycling instructions" can be found on [www.etac.com](http://www.etac.com).

### Spare Parts

A list of spare parts is available on request.

## Periodic inspection

### Periodic inspection scope

Periodic inspection is a visual examination (particularly of the lifter's load bearing structure and lifting mechanism with attachments, brakes, controls, safety devices and person-support devices) according to Periodic inspection Report for Molift Mover 300 L. This can be found on [www.etac.com](http://www.etac.com).



If there is any problems with the lifter that could jeopardize someone's safety, the lifter shall immediately be taken out of service and marked "out of order". Do not use the lifter until it is repaired.

Periodic inspection shall be performed annually or more frequently if required by local requirements. The inspection must be performed by service personnel authorized by Etac. Contact Etac at [molift@etac.com](mailto:molift@etac.com) for training and authorization or recommendation of an approved service partner.

When performing a periodic inspection, the inspector shall fill out the inspection report for Molift Mover 300 L. The reports should be

retained by the person(s) responsible for servicing the lifter. If the inspection reveals defects and damages, the owner shall be notified.

When periodic inspection is completed the inspector shall mark the lifter with a sticker on the control label showing the date when periodic inspection is performed and a label (with 6-digit ID from Etac or distributor, if available) showing who has performed the periodic control. The control label can be found on the right side of the battery holder, and this will then indicate the date when next inspection is due.



## Troubleshooting

Symptom	Possible cause / action
The lifting column is wobbly	The lifting column is not correctly positioned in the chassis or the locking handle is not fully locked. Assemble column and chassis properly.
The lifter moves unevenly on a plane surface	The castors move unevenly because of pile and dust. Clean the castors. Remove hair and dirt.
The lifting arm or adjustable legs moves uncontrolled.	Short circuit between hand control and lifter. Clean hand control plug surfaced with alcohol to remove grease.
	Defective hand control. Replace hand control.
	The control electronics has failed. Contact local representative for service.
The lifter does not respond to hand control action / the lifting arm or legs does not move.	Emergency stop button is activated. Turn button clockwise to reset emergency stop.
	Battery is empty. Change or charge battery.
	The lifter's electronics is overheated. Wait for it to cool down.
	The lifter is overloaded. Make sure the load does not exceed SWL.
	Hand control is not plugged in properly. Plug in hand control properly. Hand control, plug or cord can be broken and should be replaced.
	Contact between chassis and column has no connection. Column is not correctly mounted in chassis. Assemble column and chassis properly.
	Defective control electronics. Contact local representative for service.
Battery does not charge	Faulty battery. Check indicators on charger when charging. Try another battery.
	Faulty battery charger. Check indicators on charger when charging. See chapter "Charging". Try another charger.



Etac A/S  
Parallevej 3  
DK-8751 Gedved  
[www.etac.com](http://www.etac.com)

***molift***<sup>®</sup>  
by Etac