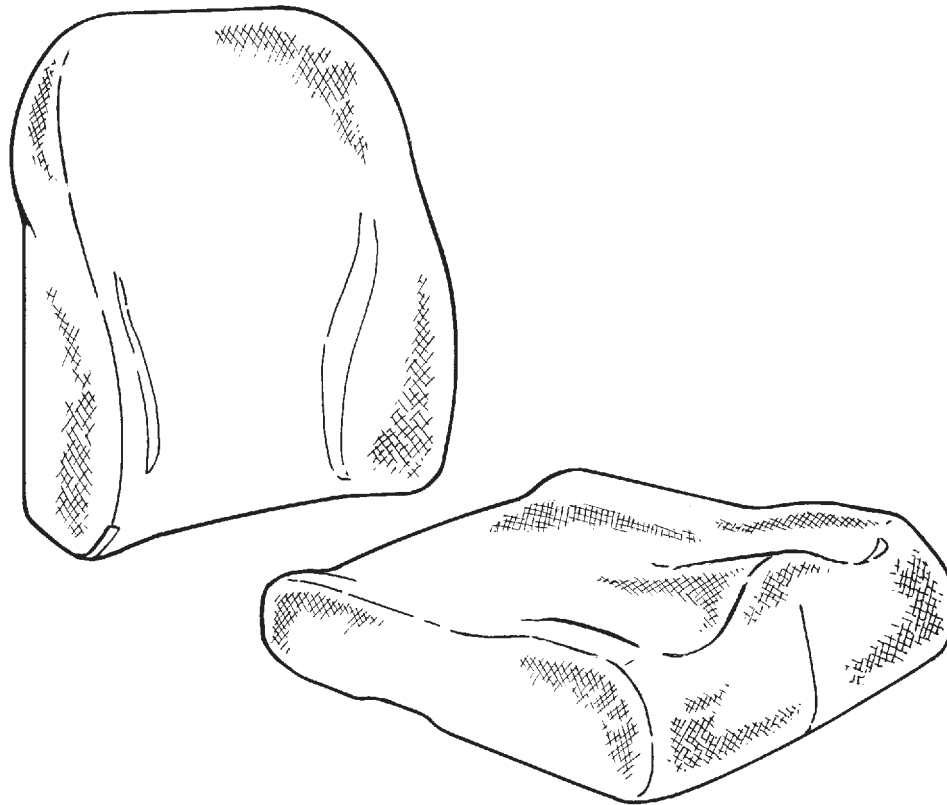


back in a box[™] seat in a box[™]

English user manual

GB CONTENTS

Safety	4
Warranty	4
Tools	4
Maintenance	4
Getting started with the cushion system.....	5
Back cushion	6
Seat cushion.....	7
Liners.....	8
Top cushions.....	9
Covers	10
Washing instructions	11
Measurements.....	12
Technical data.....	12
Producer	12
Distributor	12



GB CUSHION SYSTEM

The R82 cushion system has been developed in close collaboration with physiotherapists and ergotherapists to obtain optimum sitting comfort and flexibility.

We are convinced that the R82 cushion system will meet demands for correct sitting posture and comfort in modern aids for children.

The cushion system consists of back and seat cushions, liners and covers, which can be adapted and modelled precisely to the needs of the user. Cushions can be adapted in collaboration with local physiotherapists or ergotherapists.

These instructions will help you draw maximum benefit from the many features offered by the cushion system. Consequently, we recommend you study the instructions closely before using the cushion system.

GB SAFETY

The cushions are CE marked. This is your guarantee that they comply with the requisite European safety requirements. The cushions are CE marked in accordance with the European Commission's directive 93/42/EEC, class 1 of 14 June 1993 on medical devices. The cushions have also been approved in accordance with ISO 7176-16 and EN 1041.



If non-original parts are fitted, the CE mark must be removed from the product. Never allow the user to use the product unsupervised.

GB WARRANTY

R82 offers a 2-year warranty against defects in workmanship and materials. The warranty would be adversely affected if the customer's responsibility of servicing and/or daily maintenance is not carried out according to the guidelines and intervals prescribed by the supplier and/or stated in the manual. For further information, we refer to the R82 homepage/download. The warranty can only be sustained if the R82 product is in use in the same country where it was purchased and if the product can be identified by the serial number. The warranty does not cover accidental damage, including damage caused by misuse or neglect. The warranty does not extend to non-durable parts, which are subject to normal wear and tear and need periodic replacement. The warranty is null and void if non-original R82 parts/accessories are used, or if the product is repaired or altered by anyone other than an authorised R82 representative or by trained personnel officially recognised by R82 for repair and maintenance of R82 products. R82 reserves the right to inspect the product being claimed for and the relevant documentation before agreeing to the warranty claim, and to decide upon whether to replace or repair the defective product. It is the customer's responsibility to return the item being claimed for under warranty to the address of purchase. The warranty is given by R82 or, subsequently, an R82 dealer.

GB TOOLS

A Stanley knife and a ruler for use in cutting and adjusting cushions and liners are included.



It is a good idea to have a cut resistant base when cutting out cushions and liners. Moreover, the knife blade must be sharp enough to cut accurately. Sometimes it may be easier to use scissors rather than a knife on the soft foam.



Tools should be kept out of the reach of children.

GB MAINTENANCE



Check regularly that the Velcro has not loosened from the foam or from the liners, and that all adjustments are in a reasonable state.

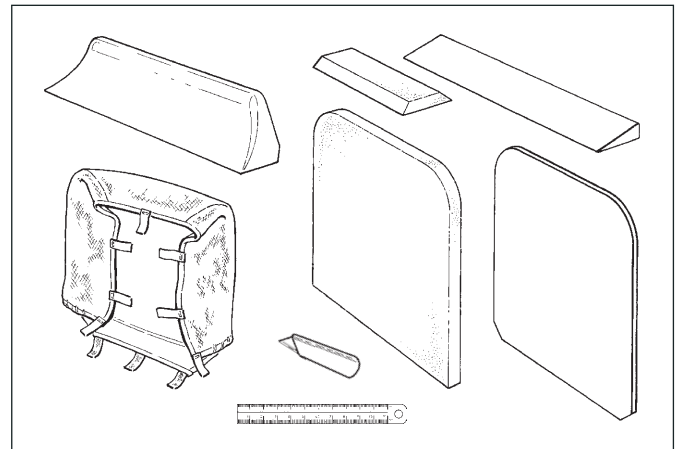


When separating the modules, care should be taken not to tear the foam with the Velcro.

GB GETTING STARTED WITH THE CUSHION SYSTEM

Cushions, liners and covers are delivered in the same box. The box also contains a ruler, a Stanley knife and these instructions.

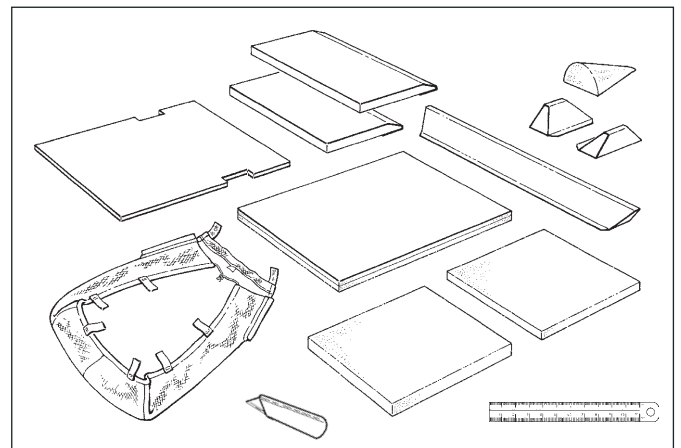
Cushions and liners should be adjusted and cut roughly. The cushions should now be tested before final cutting and the cover can be put on.

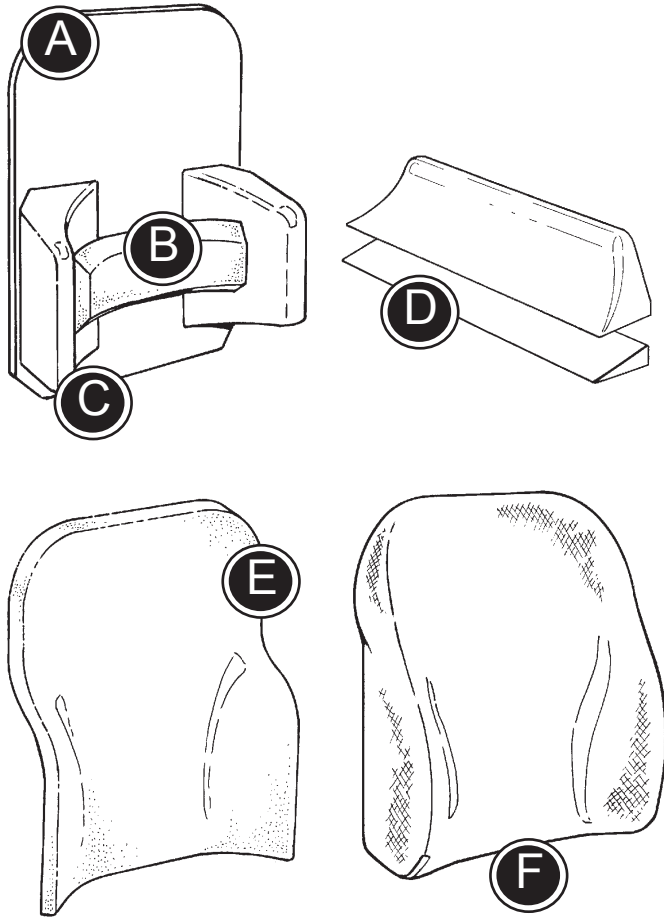


! We recommend you use a cut resistant base when cutting out cushions and liners. Moreover, the knife blade must be sharp enough to cut accurately. Sometimes it may be easier to use scissors rather than a knife on the soft foam.

! Tools should be kept out of the reach of children.

! When separating the modules, care should be taken not to tear the foam with the Velcro.





GB BACK CUSHION

The base plate (A) can be extended with different liners to exactly fit the user's needs. It may be necessary to cut the base plate so it can be placed in the chair.

Base plate with lumbar support (B) and side liners (C). If a higher side liner is required, the back liner (D) can be fitted at the bottom.

Once the required support has been reached, finish with a top cushion (E).

Finally, cover the cushion (F).

All liners and covers can be cut according to needs.

Cushions can be adapted in collaboration with local physiotherapists or ergotherapists.

GB SEAT CUSHION

The base plate (A) can be extended with different liners to exactly fit the user's needs. It may be necessary to cut the base plate so it can be placed in the chair.

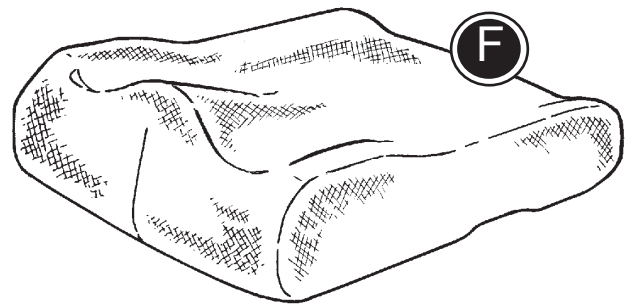
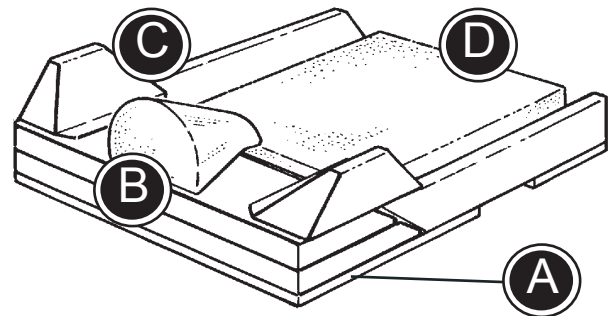
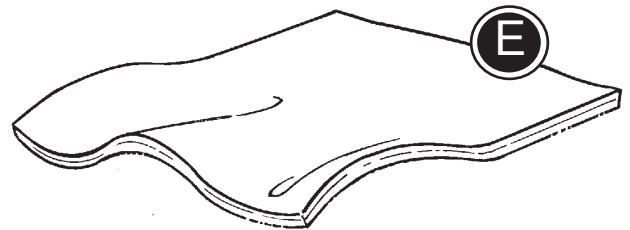
Base plate med abduction liner (B), liners at the front and the sides (C) and foam pillow (D).

Once the required support has been reached, finish with a top cushion (E).

Finally, cover the cushion (F).

All liners and covers can be cut according to needs.

Cushions can be adapted in collaboration with local physiotherapists or ergotherapists.



GB LINERS

The seat and back base plates can be extended with a variety of liners and cushions which can all be cut and fitted according to needs.

Back:


- A) Side liner
- B) Back liner
- C) Lumbar support
- D) Cushion, T-foam


Seat:

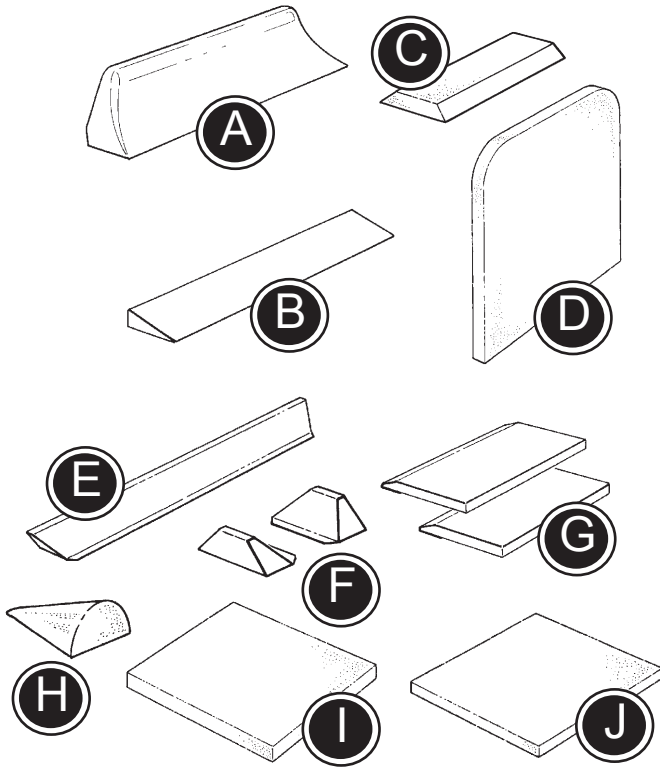
- E) Side liner, large
- F) Side liners, small
- G) Seat front liners
- H) Abduction liner
- I) Cushion, T-foam
- J) Cushion, foam

All liners are fitted with Velcro tape on the back so they adhere to the base plate.

The liners can be cut to the right length and angle using a Stanley knife.

 We recommend you use a cut resistant base when cutting out cushions and liners. Moreover, the knife blade must be sharp enough to cut accurately. Sometimes it may be easier to use scissors rather than a knife on the soft foam.

 Tools should be kept out of the reach of children.



GB TOP CUSHIONS

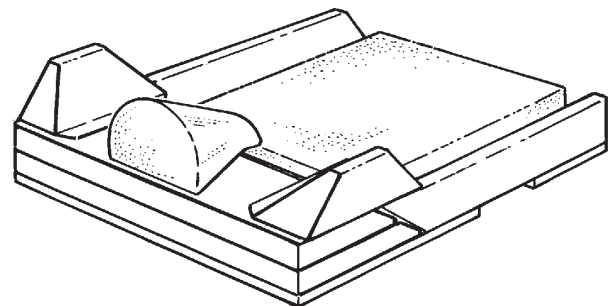
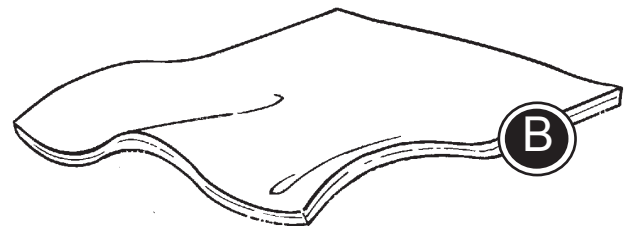
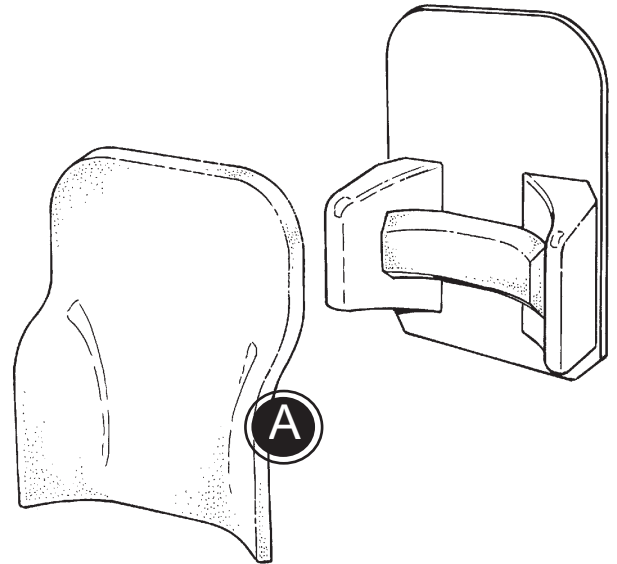
Once the liners have been mounted on the base plate the top cushions should be fitted.

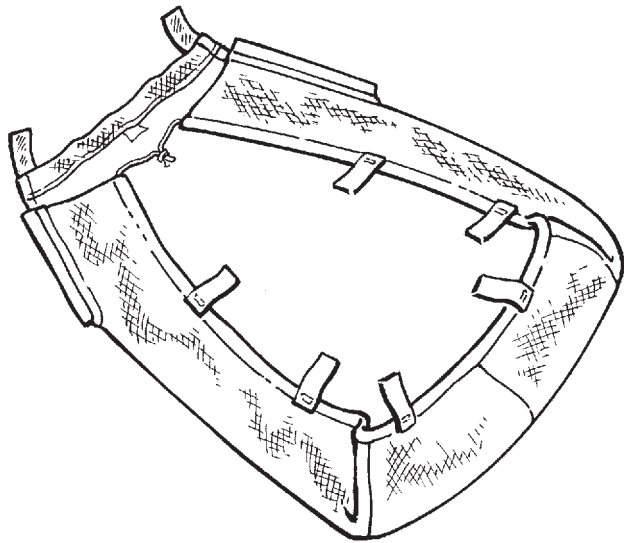
A) Back top cushion

B) Seat top cushion

All cushions are fitted with Velcro tape on the back so they adhere to the base plate and the liners.

The cushions may be cut using a Stanley knife.





GB COVERS

Covers should be drawn over the cushions and liners and fastened at the back using the Velcro strips.

Covers are flexible in size and may therefore be fitted over various sizes of liner assemblies.

GB WASHING
INSTRUCTIONS

Covers can be removed and machine washed in accordance with washing instructions.

Covers should not be bleached or ironed and should be drip dried, i.e. hung up wet



GB MEASUREMENTS

	Size 1 cm	Size 2 cm	Size 3 cm	Size 4 cm
Back base plate (A), H x W x D	39x27x1	41x31x1	44x35x1	44x39x1
Back cushion. T-foam (B), H x W x D	39x37x3	41x41x3	44x45x3	44x49x3
Side liner (C), H x W x L	9x9x60	9x9x60	11½x10½x60	11½x10½x60
Lumbar support (D), H x W x D	9x26x2	9x26x2	11x30½x2	11x30½x2
Liner (E), H x W x D	3x10x60	3x10x60	3x10x60	3x10x60
Back cushion cover (F), H x W	39x37	41x41	44x45	44x49
Seat Top cushion (A), D x W x H	38x30x2	43x34x2	47x38x2	47x42x2
Seat cushion, T-foam (B), D x W x H	24x18x3	27x21½x3	30x24x3	30x29½x3
Seat cushion, Foam (C), D x W x H	24x18x2	27x21½x2	30x24x2	30x29½x2
Seat base plate (D), D x W x H	35½x27½x1	40x31x1	44x35x1	44x39x1
Seat front profile (E), D x W x H	16½x38½x2	16½x38½x2	16½x38½x2	16½x38½x2
Liner (F), D x W x H	16½x38½x2	16½x38½x2	16½x38½x2	16½x38½x2
Seat front profiles set (G), H x W x L	5x5x13	5x5x13	5x5x13	5x5x13
Seat side profile (H), H x W x L	5x5x70	5x5x70	5x5x70	5x5x70
Abduction block (I), H x W x D	7x10x12	7x10x12	7x10x12	7x10x12
Seat cushion cover (J), D x W	38x30	43x43	47x38	47x42

GB TECHNICAL DATA

Cushions: Fire-resistant foam
 Covers: Fire-resistant fabric

GB PRODUCER

R82 A/S
 Parallevej 3
 8751 Gedved
 Danmark

GB DISTRIBUTOR



Please find your distributor on www.r82.com