

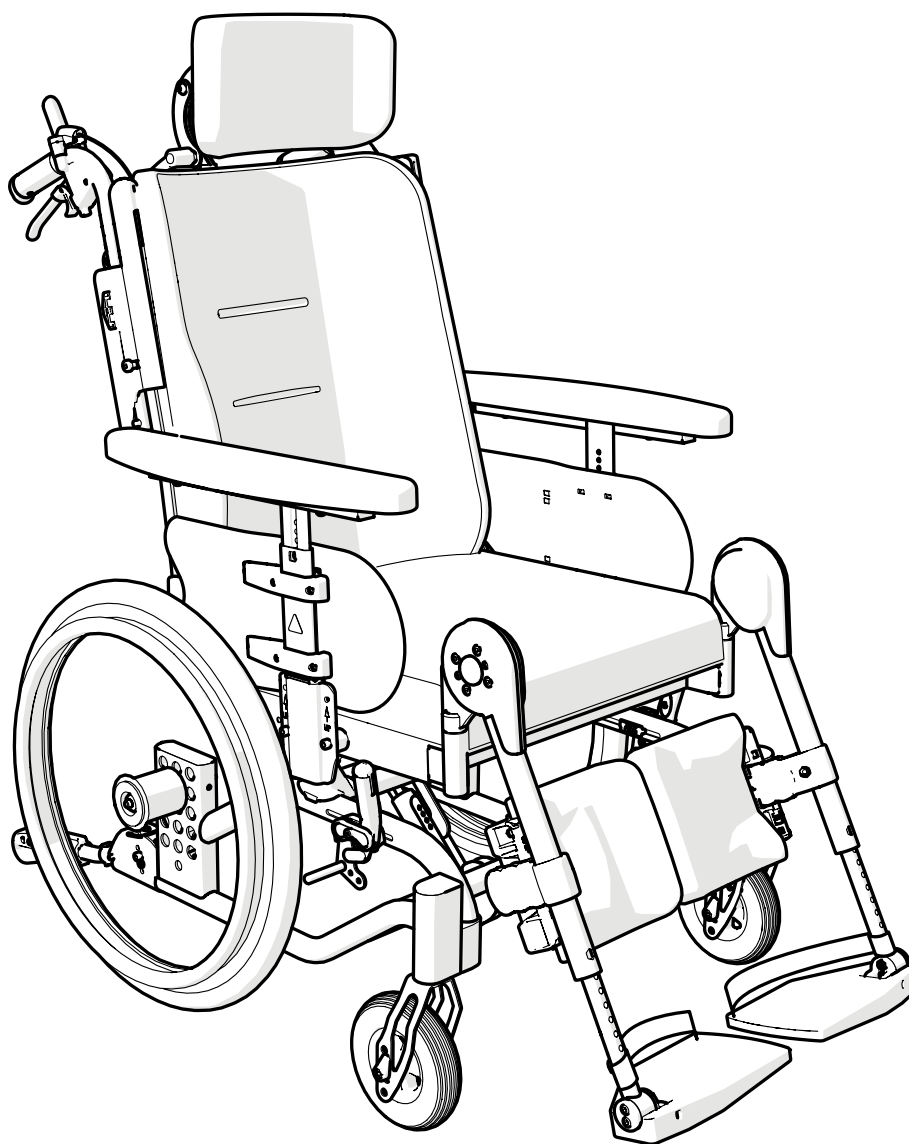
# Etac Prio

## Manual

etac®

75341L 2021-06-14

Applies to Etac Prio with serial no beginning with 38C



CE

# Content

Thank you for choosing a wheelchair from Etac. The manual must be read thoroughly to avoid damage when handling and using the product.

In this manual, the User is the person sitting in the chair. The Carer is the person helping the user.

Information on how people with impaired vision can access the manual can be found in our presales guide at [www.etac.com](http://www.etac.com).

Etac continuously makes improvements to its products. We therefore reserve the right to modify the products without prior notice. The dimensions given on drawings or other material are solely for guidance.

There may be variations in levels of equipment between different countries.

We cannot be held responsible for any printing errors or omissions.



This symbol appears in the manual together with text. It highlights actions where the wheelchair's, the user's or the care giver's safety can be put at risk.



This symbol appears in the manual together with text. Here you can find advice and tips worth considering.

## 1. General

<a href="#">Product description</a>	3
<a href="#">Intended use</a>	3
<a href="#">Intended user</a>	3
<a href="#">Tests, service life and guarantees</a>	3

## 2. Safety

<a href="#">Symbols and warnings</a>	3
<a href="#">Transport in vehicle</a>	4
<a href="#">Transportations in aeroplanes</a>	4

## 3. Service and maintenance

<a href="#">Cleaning, disinfection and maintenance</a>	5
<a href="#">Troubleshooting form</a>	5

## 4. Technical data

.....	6
-------	---

## 5. Description

.....	7
-------	---

## 6. The chairs options

.....	8-9
-------	-----

## 7. Accessories

.....	10
-------	----

## 8. Installation upon delivery

<a href="#">Back support</a>	11
<a href="#">Push handle/bow handle</a>	12
<a href="#">Cross brace</a>	12
<a href="#">Head support</a>	12

## 9. Charging

.....	13
-------	----

## 10. How to use

.....	13-18
-------	-------

## 11. Seat comfort settings

.....	19-21
-------	-------

## 12. Driving technique, use

.....	22-24
-------	-------

## 13. Removal of upholstery

.....	25
-------	----

## 14. Advanced settings, adjustments

<a href="#">Seat height, seat height table</a>	26
<a href="#">Changing rear wheel position</a>	27
<a href="#">Height adjustment front</a>	28
<a href="#">Height adjustment front fork housing</a>	28
<a href="#">Disassembly/assembly of the castor wheel</a>	28
<a href="#">Disassembly/assembly of the front fork</a>	28
<a href="#">Seat height adjustment when the chair is equipped with attendant brake</a>	29
<a href="#">Back support height adjustment</a>	30
<a href="#">Seat depth - front</a>	31
<a href="#">Seat depth - rear</a>	32-34
<a href="#">Screw positions seat depth</a>	35
<a href="#">Adjustment of comfort lock</a>	36

## 15. Readjustments

<a href="#">Arm support</a>	37
<a href="#">Rear wheel with quick release</a>	38
<a href="#">Brake, adjustment</a>	38
<a href="#">Brake lever adjustment</a>	38
<a href="#">Brake, mounting and adjusting brake adapter</a>	39
<a href="#">Balance point/balance settings</a>	40
<a href="#">Amputee support</a>	40
<a href="#">Elevating leg support with calf support</a>	41
<a href="#">Anti tippers</a>	41

## 16. Accessories - adjustments, handling

<a href="#">Positioning belt</a>	42
----------------------------------	----

# 1. General

## Product description:

Etac Prio (hereafter called Prio) is a manual wheelchair with a seat and back support with ergonomic features. The seat and back support with ergonomic features are available with both manual or electrical operation. Prio offers great opportunities for customisations via settings and configurable parts. Prio is designed for indoor and outdoor use. Prio has fixing points for motor vehicle transport. Prio is intended for reuse.

## Intended use:

Prio is designed to be adapted to cater to the user's individual abilities and needs. The back support and seat's ergonomic features provide a relaxing and comfortable resting position, as well as support during active sitting.

Prescriptions should be undertaken by a responsible clinician. The wheelchair should be adapted and adjusted by a trained healthcare professional.

## Intended user:

Prio is designed for users with physical disabilities who require a variety of seated positions. Prio can be used without an assistant if the user can independently understand its features, as well as self-propel and brake without assistance. Prio is designed for hand and/or foot propulsion. The wheelchair is designed based on users of adult size with a body height from 140 cm. The wheelchair is also suitable for amputees. The wheelchair is not usually suitable for small children. Maximum permissible user weight, dimensions and weights are stated in the technical data. The wheelchair's field of application is not restricted to a specific diagnosis. There are no known contraindications.

## CE marking, tests:

The product conforms to the requirements of the Medical Devices Regulation (EU) 2017/745.

The product has been tested and meets the requirements of EN 12183, which includes fire testing in accordance with ISO 8191-2.

Combination agreement is available, see [www.etac.com](http://www.etac.com).

The product is crash tested at RISE, Research Institutes of Sweden, according to ISO 7176-19. The tests have been carried out with clamping device UNWIN\_WWR/ATF/K/R and with three point strap 907523, Klippan Safety AB.

The tested product was equipped with:

The parking brakes activated

Anti-tip guards activated

Head support mounted

Handrims on the rear wheels (not 16" wheel)

## Service life:

The expected duration and service life of the main product is at least five years when used in accordance with its intended use, safety instructions, reconditioning manual and maintenance instructions in the manual. The main product is covered by seat and back chassis. Remaining parts/accessories are handled in accordance with the manual and reconditioning manual. The actual service life may vary depending on how much and intensively the product is used, but is a maximum of 10 years. If the product is intended to be used after the service life specified by Etac, it is incumbent on the product owner to ensure the product's performance in accordance with the manual and reconditioning instructions. If this cannot be ensured, the product must be taken out of service.

## The following surface treatment methods have been used:

Varnished surfaces = Powder-applied polyester or ED varnish

Unvarnished aluminium parts = Anodizing

Unvarnished steel surfaces = Galvanized

## Warranty:

5 year warranty against defects in material and manufacture. For conditions, see [www.etac.com](http://www.etac.com).

## Customization:

Everything that goes beyond the manual's instructions and settings. Wheelchair specially adapted by the customer must not retain Etac's CE marking. Etac's warranty expires. If there is any uncertainty regarding the execution of the customization, consult Etac.

Wheelchairs coupled with another product may not retain either product's CE mark unless combination agreements exist. Contact Etac for current information.

## Reutilization:

Etac Prio can be reused. Follow the instructions in "Reconditioning instructions, Etac manual wheelchairs" at [www.etac.com](http://www.etac.com).

## Tools:



Allen key  
3, 4, 5, 6 mm



Ring spanner  
8, 10, 13, 17, 24 mm



Socket spanner  
19 mm

# 2. Safety

## Symbols and warnings

These symbols occur on labels and in the user manual.



Securing. Fixing points for the clamping system for transport in motor vehicles.



Risk of tipping: Always keep the anti-tips folded down.



Do not lift the chair by removable parts

## General warnings

The following must be taken into consideration during use.



Bright sunlight could heat parts of the chair and cause burns.



After adjusting the seat height, centre of balance or back support angle, always ensure that you check the function of the anti-tips.



Warning: This product can be adjusted beyond safe use. The prescription of the product must be done by medical personnel and tested by a specialist.



The chair might tip if the incline at the rear is greater than 6°. Use anti-tips!

In case of an adverse event occurred in relation to use of the device, it should be reported to your local dealer and the national competent authority in a timely manner. The local dealer will forward information to the manufacturer.

## 2. Safety

### Transportation in vehicles

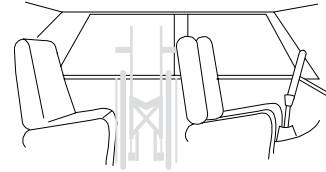
Etac's wheelchairs are crash-tested and approved according to ISO 7176-19 (see Section "Tests and warranties" in the manual).

Etac recommends in the following order:

1) The user transfers to a seat in the vehicle and uses the vehicle's 3-point belt while travelling. The wheelchair is then placed in the boot or safely in the back seat so that it cannot overturn or roll.



- The wheelchair should preferably be placed in the car boot.
- If the wheelchair is placed on the back seat, ensure that it cannot overturn or roll. If possible secure the wheelchair with the car's safety belt.



2) The wheelchair is secured facing forwards in the vehicle as per the below, the user uses a separate 3-point belt that is secured in the vehicle. This is the way in which the wheelchair is tested and approved according to ISO 7176-19.

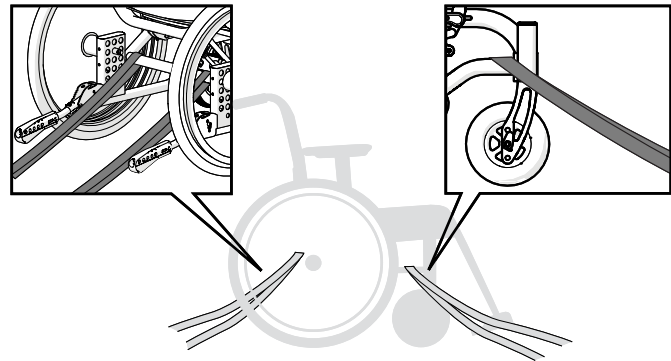
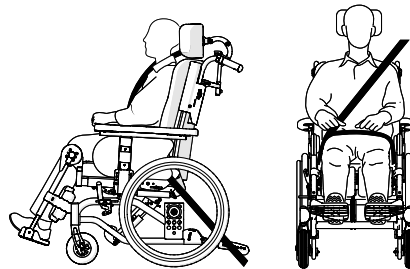
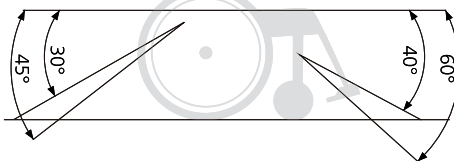
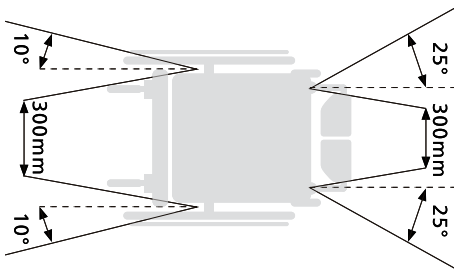


- See section "CE-marking, tests"
- Accessories that can be detached without tools must be removed and clamped



#### Securing

- The restraining device must not be passed through the wheels or around the back tubes.



3) According to Directive 2001/85/EC, appendix VII, point 3.8.3, there may be specially marked wheelchair locations in vehicles that permit transport with a wheelchair facing in the direction of travel. If this means of travel is used, the user/carer must be aware while travelling, prepared for sudden movements and have the capacity to maintain a safe sitting position throughout the entire journey. The user's disabilities must not be of such an extent that he/she is not able to hold onto the handles fitted in the vehicle when there are changes of speed or direction.



- The parking brake should be used.
- The anti-tips must be activated.
- Accessories that can be removed without tools must be removed and secured.
- A correctly configured Etac head support must be used (see Section "Seat comfort settings").
- A positioning belt should be used.

### Transportation in aeroplanes

Lithium batteries are subject to statutory regulations.

Always contact your travel organiser or freight company for information about applicable freight regulations before transportation.

## 3. Service and maintenance

### General

Product maintenance should be adapted to use.

If there is a fault in your wheelchair, please contact your prescriber or technical aids centre. A defective wheelchair must not be used.

If your chair needs reconditioning or repair, only original parts from Etac or components with equal quality should be used.

Etac will not be held responsible for damage or injury caused by use of non-original parts.



When necessary lubricate moving parts/joints with bicycle oil or similar.



The product must be serviced by trained personnel only.

### Washing the back support and seat

The back cover is made from two-ply polyester. It is removed by unscrewing the end terminations on the back rail.

Then pull the cover upwards and wash in accordance with the washing instructions on the label.

The covers for the seat and back cushion are removable and must be washed in accordance with the washing instructions on the label.

### Rear wheel/castor

**Spokes:** Loose spokes can lead to wheel wobble. Consult a cycle dealer or technical aids centre if it is necessary to adjust the spokes.

**Wheel axles:** Clean the wheel axles from hair and dirt as necessary.

**Ball bearings:** Require no maintenance.

**Handrims:** If a handrim is damaged in such a way that it can cause hand injuries, it should be replaced.

### Brakes

Heavy dirt can have a negative effect on the brake mechanism. In the event of adjustments, see Section "Brakes, adjustment".

### Washing the frame

It is important, both for the sake of hygiene and for the longevity of the chair, that the wheelchair is kept clean. It is equipped with a drainage hole which ensures that it is easy to wash and dry.

Clean the frame with a non-abrasive cleaning agent with a pH level between 5 and 9, or with a 70% disinfectant solution. Rinse and dry.

### Chair with electrical back and seat recline function

Electrical components conform with protection class IPX6, which means the product may be cleaned with a brush and water.

Do not rinse electrical components with a pressure washer.

Maximum washing temperature 20°.

Do not use chemicals on electrical components.

The battery charger must not be connected. Internal cables must be connected.

Retract the actuator to the innermost position to avoid degreasing of the piston rod.

For washing in a cabinet washer-disinfector, all electrical components must be disconnected. See separate service manual at [www.etac.com](http://www.etac.com).

### Storage

Wheelchairs that are not used must be stored indoors.

### Touch-up paint

For minor scratches and paint damage, touch-up paint is available.

### Separation at source/Waste

The product should be sorted in accordance with national regulations.




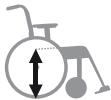

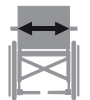




Batteries: hand in to battery recycling.

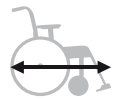


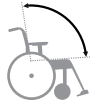



Motor and control box: hand in to electronics recycling.

### Fault-finding chart

The wheelchair pulls to the side	<ul style="list-style-type: none"> <li>• Pump the tyres</li> <li>• Check that the front fork attachments are mounted correctly and have the correct height adjustment</li> <li>• Check that the rear wheels are mounted correctly</li> <li>• The user is distributing weight unevenly in the wheelchair</li> <li>• More strength being used on one side than the other</li> </ul>
The wheelchair is "heavy" to operate	<ul style="list-style-type: none"> <li>• Pump the tyres</li> <li>• Check that the rear wheels are mounted correctly</li> <li>• Clean the castor axles of hair and dirt</li> <li>• Too much weight over the castors. Adjust the centre of balance</li> </ul>
The wheelchair is "heavy" to turn	<ul style="list-style-type: none"> <li>• Pump the tyres</li> <li>• Check that the front forks have not been tightened too much</li> <li>• Clean the castor axles of hair and dirt</li> <li>• Too much weight over the castors. Adjust the centre of balance</li> </ul>
The user brake is not effective	<ul style="list-style-type: none"> <li>• Pump the tyres</li> <li>• Adjust the distance between the tyre and the brake (see Section "Brake, adjustment")</li> </ul>
The attendant brake is not effective	<ul style="list-style-type: none"> <li>• Adjust the wire length using the adjustment nipple on the brake drum (see Section "Attendant brake")</li> </ul>
Rear wheels are "loose"	<ul style="list-style-type: none"> <li>• Adjust the length of the axle shaft</li> </ul>
Rear wheels hard to remove/replace	<ul style="list-style-type: none"> <li>• Clean and lubricate the quick release using e.g. cycle oil</li> <li>• Adjust the length of the axle shaft</li> </ul>
The castor wheels "wobble"	<ul style="list-style-type: none"> <li>• The front forks have not been tightened sufficiently</li> <li>• Check that the front fork attachments are mounted correctly and have the correct height adjustment</li> <li>• Too much weight over the castors. Adjust the centre of balance</li> </ul>
The wheelchair feels "awkward"	<ul style="list-style-type: none"> <li>• Pump the tyres</li> <li>• Check that screws and controls are properly tightened</li> </ul>
Electrical back and seat recline function does not work	<ul style="list-style-type: none"> <li>• Hand control has been deactivated – activate by pressing the on/off button</li> <li>• End position has been reached – use opposite button</li> <li>• Battery is not charged – charge battery</li> <li>• Hand control function is locked – unlock function (See section 'Electrical recline function')</li> <li>• Hand control is not connected – check that the hand control is correctly connected to the electronics unit</li> <li>• Error on hand control – phone retailer or technician for replacement of hand control</li> <li>• Error on electronic unit – phone retailer or technician for replacement of electronics unit</li> <li>• Damaged cables – phone retailer or technician for replacement of cables</li> </ul>
Electrical back and seat recline function does not work in spite of action taken	<ul style="list-style-type: none"> <li>• Reset the system by pressing the arrow up buttons and holding for five seconds</li> </ul>

## 4. Technical data

Type of chair	Art no	Total width	Seat height	Seat depth*	Effective seat width	Transport width	Weight**	Transport weight***	Max. user weight
									
40 cm	13420305	59 cm	38-52.5 cm	39-51 cm	40 cm	56 cm	33.5	22.9	135 kg
45 cm	13420309	64 cm	38-52.5 cm	39-51 cm	45 cm	61 cm	33.8	23.2	135 kg
50 cm	13420313	69 cm	38-52.5 cm	39-51 cm	50 cm	66 cm	34.1	23.5	135 kg
55 cm	13420317	74 cm	38-52.5 cm	39-51 cm	55 cm	71 cm	34.4	23.8	135 kg


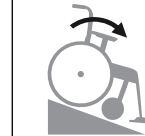
Total length	Folded length	Seat angle	Back support angle	Back support height	Handrim size	Leg support length
						
101.5 cm	86.5 cm	-3° – +20°	0° – +30°	55-70 cm 45-60 cm****	44.5-52.5 cm	33-61 cm

\* The seat depth is measured from the front of the seat cushion to the middle of the back cushion.

\*\* With arm supports, elevating leg supports, calf supports, rear wheels and anti-tips.

\*\*\* Without arm supports, head support, seat cushion, elevating leg supports, calf supports, rear wheels.


\*\*\*\* With back support system 3D

Max. incline sideways	Max. incline down
	
>20°	>20°

### Chair with electrical back and seat recline function

Operating environment		
	Long-term/short-term storage and transportation	Operation
Temperature	-10 - +40	+5 - +30
Relative air humidity	20 - 90%	
Atmospheric pressure	700 - 1060 hPa	

If the chair has been stored at a low temperature, it must be adapted to the operating conditions before use.

Electrical drive system	
Supply voltage	100 - 240 VAC, 50/60 Hz (-15% +10%)
Maximum input current	3.9 A
Intermittent (periodic motor use)	5% 1 min constant use 19 min standby
Nominal voltage	25.9 V DC
Protection class <input type="checkbox"/>	IPX6
	The part in contact with the patient meets the requirements for protection against electric shocks in IEC60601-1.
Degree of protection	Class 2
Battery type	Lithium ion

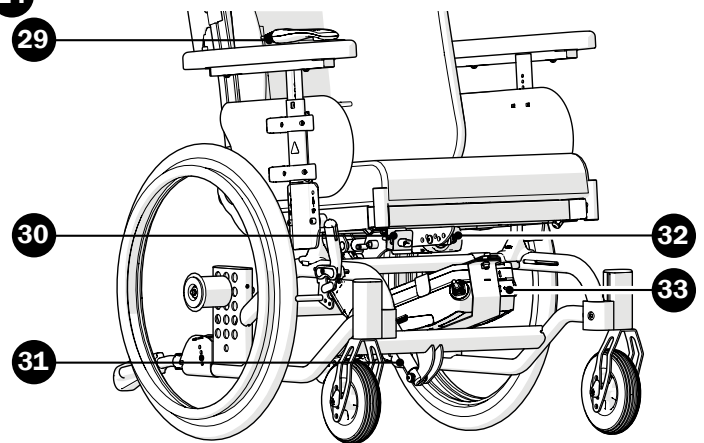
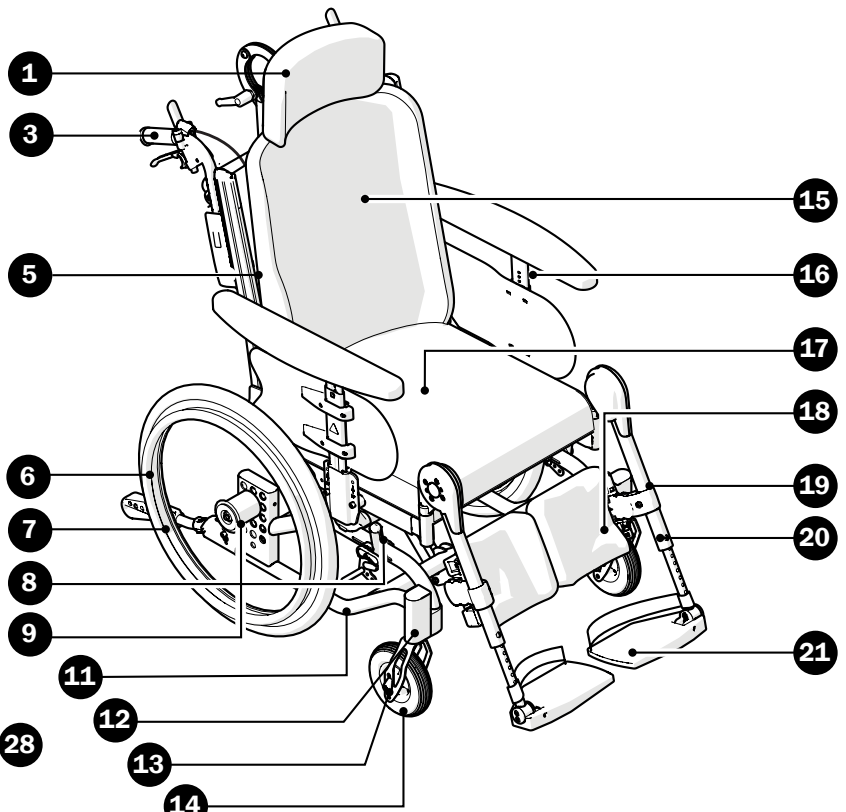
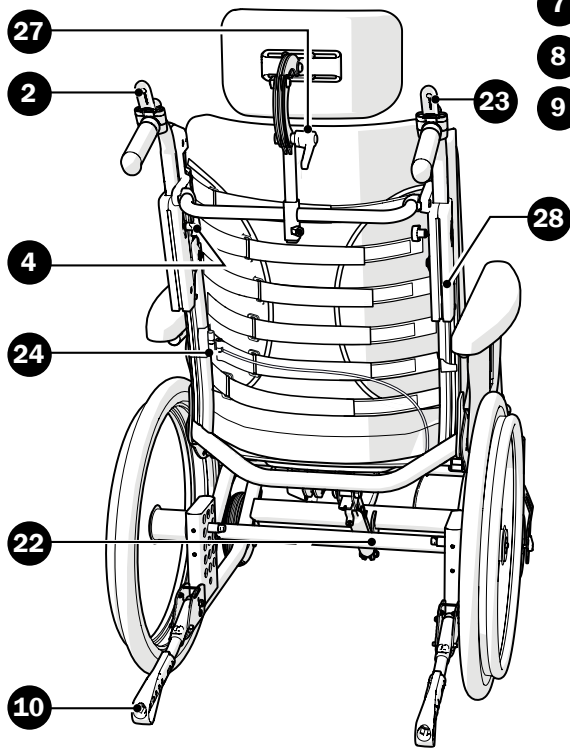
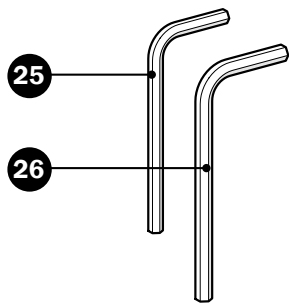
Complete information and user instructions for electrical components is available at [www.linak.com](http://www.linak.com), or contact your retailer or technical aids centre.

### Electromagnetic compatibility (EMC)

This product has been tested and complies with the EMC limit values given in IEC 60601-1-2 for class B equipment.

This product has a very low radiation and should not interfere with other equipment.

## 2. Description



- |                              |                                  |                                   |
|------------------------------|----------------------------------|-----------------------------------|
| 1. Head support              | 13. Front fork                   | 25. Tool - Allen key 3 mm         |
| 2. Controls - back angle     | 14. Castor wheel                 | 26. Tool - Allen key 5 mm         |
| 3. Push handles              | 15. Back cushion                 | 27. Snap lock - head support      |
| 4. Locking knob, push handle | 16. Arm supports                 | 28. Trunk support attachment      |
| 5. Back support              | 17. Seat cushion                 | 29. Hand control                  |
| 6. Rear wheel                | 18. Calf pad                     | 30. Charging socket               |
| 7. Handrim                   | 19. Leg supports                 | 31. Seat angle actuator           |
| 8. User brake                | 20. Knob footplate lock          | 32. Back angle actuator           |
| 9. Quick release hub         | 21. Footplate with heel straps   | 33. Battery pack and control unit |
| 10. Anti-tips                | 22. Item and serial number label |                                   |
| 11. Chassis                  | 23. Tilt controls - tilt         |                                   |
| 12. Front fork attachment    | 24. Dynamic pelvic support       |                                   |

## 6. The chairs options

In the "Chair options" section you can see all configurations available for the wheelchair. For more information about chair options, see [www.etac.com](http://www.etac.com)

Settable= Adjusted using tools. Adjustable= Adjusted without tools.

<b>Seat height</b>	38-52,5 cm with 20", 22" or 24" rear wheel	
	40-45 cm with 16" rear wheel (51.5 cm with seat height adaptor 16")	
<b>Seat angle</b>	Max. forward angle: 3° Max. backward angle: 20° See also Comfort lock	
<b>Castor wheel</b>	150x35 mm (6"), semi-solid	
	165x30 mm (6.5"), solid	
	175x45 mm (7") semi-solid	
	200x35 mm (8") semi-solid	
	200x50 mm (8"), semi-solid	
<b>Front fork</b>	Short (three height positions for castor wheels)	
	Medium (three height positions for castor wheels)	
<b>Rear wheel</b>	16", width: 42 mm, (no handrim)	
	20", width: 32 mm, solid or high-pressure tyres	
	22", width: 32 mm, solid or high-pressure tyres	
	24", width: 32 mm, solid or high-pressure tyres	
<b>Handrim</b>	Aluminium	
	Plastic coated	
<b>Camber</b>	0°	
<b>Seat cushion</b>	Basic; lightly contoured, cold foam. Plush or hygiene cover	
	Comfort; lightly contoured, cold foam with soft memory foam in seat area. Plush- or hygiene cover	
	Tidy; with hygiene cover. Material: Dartex. Water repellent, wipeable with wet cloth, washing 90° C .	
<b>Back support angle</b>	0° - +30°	
<b>Seat depth</b>	Three alternative positions with separate intervals. Standard setting: Position 2	Position 1: 39-46 cm (short cushion)
		Position 2: 41,5-48,5 cm (short cushion)
		Position 3: 44-51 cm (short or long cushion)
<b>Head support with side support</b>	Curved cushion with soft padding, height, depth, side and angle-adjustable. Plush or hygiene cover. Black or stainless-steel bar, one or three knobs.	
	Curved cushion with side support and soft padding, height, depth, side and angle-adjustable. Hygiene cover. Black or stainless-steel bar, one or three knobs.	
<b>Head support anatomic</b>	Medium	
	Large	
<b>Back support height</b>	Adjustable height: 55-70 cm	
	Adjustable height back support system 3D: 45-60 cm	
<b>Back support upholstery Comfort</b>	Adjustable velcro straps. Dynamic pelvic support, settable in height	
<b>Back support system 3D</b>	Complete back system adapted for kyphotic users. Height-settable: 45-60 cm. Vertical and horizontal shape is created based on the user's back curvature. Recommended in combination with angle-adjustable head support.	
<b>Back support cushion/Back support cover</b>	Back support cushion with plush or hygiene cover	
	Soft cover. Plush.	
<b>Pelvic support</b>	Dynamic pelvic support adjustable in height	



## 6. The chairs options

<b>Comfort lock</b>	Four optional modes. Provides the carer with clear instructions as to the mode that has been prescribed as the most frequent rest mode. Not in combination with electric recline function	0° seat tilt	
		4° seat tilt	
		8° seat tilt	
		12° seat tilt	
<b>User operated seat recline function</b>	Mounted on the arm support. To be applied on the seat tilt function only (not for back recline).		
<b>Electrical recline function</b>	Electrical recline of seat and back angle operated by means of hand control. Limitations: Not with comfort lock, dynamic pelvic support, QR-pin for back support, oxygen basket, clips angle restriction.		
<b>Push handle/ Bow handle</b>	Height-adjustable in 2 cm intervals.	Push handles	
		Bow handle	
		Bow handle angle-adjustable (not available for 55 cm wide chairs)	
<b>Leg support, elevating</b>	Six fixed positions. With padded kneepads and folding calf supports, height, angle and depth-settable		
<b>Leg support, fixed angle with knee cushion</b>	With padded knee pad		
<b>Leg support, Cross model</b>			
<b>Foot supports</b>	13 cm deep. Folding, angle and depth-settable. Includes heel straps. The footplate can be combined with an extended footplate	Std Max. length: 55 cm. Min. length: 38.5 cm.	
		Max. length: 47.5 cm. Min. length: 31 cm.	
	Solid foot support including leg supports, folding and height-adjustable (only in combination with 6" and 6.5" castors. When using 6.5" castor in medium front fork, from seat depth front pos 3). Calf straps available as an option.		
	Solid foot support, angle adjustable. In combination with leg supports (fixed angle, angle adjustable or Cross model)		
<b>Castor housing</b>	Standard		
	Widened 6 cm		
<b>Leg support, other</b>	Amputee leg support, height, depth and angle-adjustable		
	Amputee weight, angle-adjustable		
	Plaster cast leg support, depth and angle-adjustable		
<b>Arm support</b>	Height-settable 23,5-35 cm. The depth of the arm support cushion is settable. Insex or finger screw.		
	With narrow, solid arm support plate, length 38 cm, width 5 cm. Height-settable 21-32,5 cm		
<b>Brakes</b>	Angled handle	Red handle	
		Black handle	
	Extended handle, folding		
	Single hand brake		
<b>Brake adapter</b>	For 16" and 20" rear wheels in certain positions (see section "Adjustment of the centre of balance")		
	For 22" rear wheels in certain positions (see section "Adjustment of the centre of balance")		
<b>Drum brake</b>	Brake handle with 10 cm opening grip		
<b>Single hand drive</b>	Telescopic shaft, detachable. Right or left mounting. Limitations: Not in rear wheel position E1-E3, D1-D3, C1 or B1, not in combination with attendant brake or basket. In combination with Lille Viking, only in rear wheel position C2, D2, E2).		
<b>Colour, upholstery</b>	Hygiene cover: Grey Plush: Grey		

## 7. Accessories

Assembly instructions are provided with all accessories when they are supplied by Etac.

You can find the instructions as well as more information about the accessories on our website [www.etac.com](http://www.etac.com).

**Settable**= Adjusted using tools. **Adjustable**= Adjusted without tools.

<b>Widening kit</b>	Increases the distance between the arm supports by 2 cm	
<b>Seat height adaptor 16"</b>	For increased seat height (to 51.5 cm)	
<b>Tray</b>	Transparent, installed on the arm support. Not in combination with drip stand	
<b>Arm support, padding</b>	For arm support standard or arm support with solid plate	
<b>Hemiplegic arm support cushion</b>	Including attachment. Curved cushion. Replaces the standard arm supports. Depth, angle and height-adjustable	
<b>Armrest pad wide</b>	Mounted on armrest with standard arm support plate	
<b>Calf strap</b>	Detachable, black nylon, length-adjustable	
<b>Padding, calf strap</b>	For calf strap	
<b>Calf support</b>	Plush. To be mounted/adjusted with velcro	
<b>Padding, foot support</b>	For foot support with depth 13 cm	
	For solid, angle adjustable foot support	
<b>Extended foot support</b>	Fits onto the existing footplate, from seat width 40-55 cm. Extends the depth of the foot support to 21.5 cm	
<b>Positioning belt</b>	Two-piece with snap lock, fixing points on the wheelchair frame	
<b>Front bracket, positioning belt</b>		
<b>Chest strap bracket</b>	Only in combination with angle-adjustable head supports	
<b>Lateral support</b>	Height and width-settable	
<b>Lateral support swing-away</b>	Height, width, depth-settable and swing-away	
<b>Cover for trunk support</b>	Plush, for trunk support pad	
<b>Adapterkit</b>	For lateral support cushion R82. For attachment to trunk support	
<b>Spoke guards</b>	With grey or yellow print	
<b>Tool kit</b>		
<b>Side support cushion</b>	Provides light lateral support. Used (in combination with armrests) in cases where trunk support is too stabilising.	
<b>Back support wedges</b>	Provides individual support. Available in multiple sizes.	
	Dark grey plush, 15 or 30 cm	
<b>Filler cushions</b>	Reduces the width between the arm supports by 30 mm (15 mm on each side)	
<b>Drip stand</b>	Bracket and stand. Not in combination with tray	
<b>Oxygen holder/Transport basket</b>	Not in combination with electric recline function or Lille Viking auxiliary engine. Only with seat heights above 43 cm	
<b>Pommel</b>	Depth-settable	
<b>Angle restriction</b>	Reduces the control range of the seat angle by 2° per clip Reduces the control range of the back angle by 2.5° per clip Not in combination with electric recline function	
<b>Back angle control</b>	Reduces the control range of the back angle variably	
<b>Lock, seat and back angle controls</b>	Locks the seat and/or back angle	
<b>QR-pin back support</b>	Simplifies folding of the back support (not in combination with seat depth pos. 1, 39-46 cm)	
<b>Memory function head support</b>	Simplifies mounting of head support (preset height)	
<b>Cane holder</b>	Two parts, one of which is an elasticated section that is fastened around the cane	
<b>Propulsion motor, Lille Viking</b>	Assistance aid for outdoor use (not under 45 cm seat height)	

## 8. Installation upon delivery

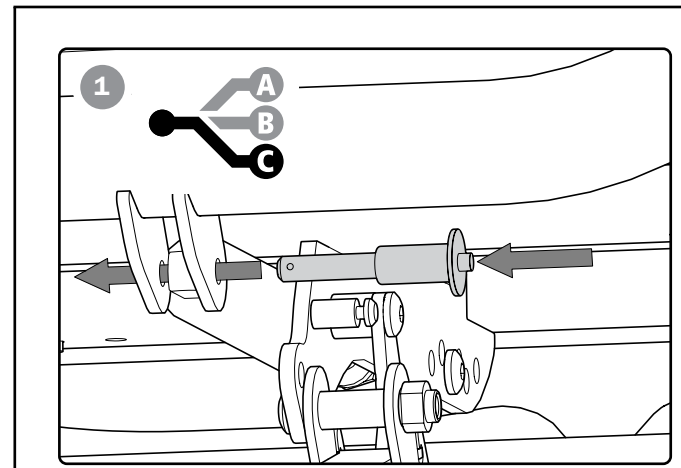
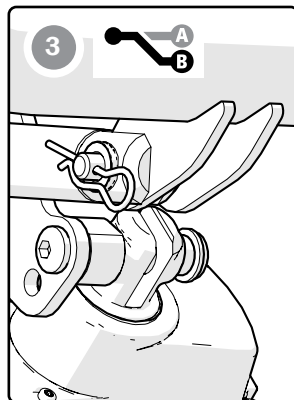
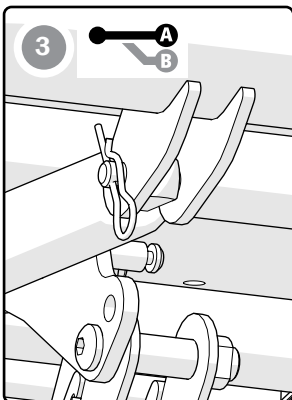
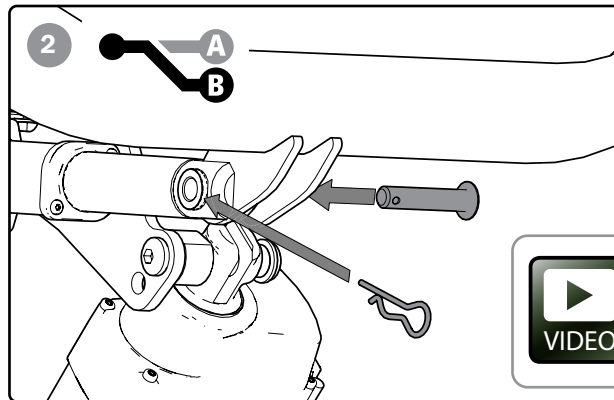
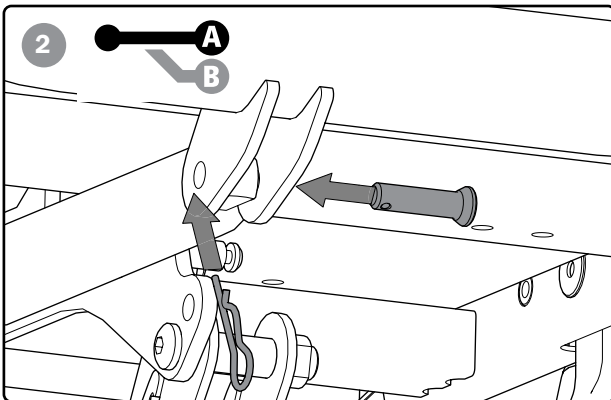
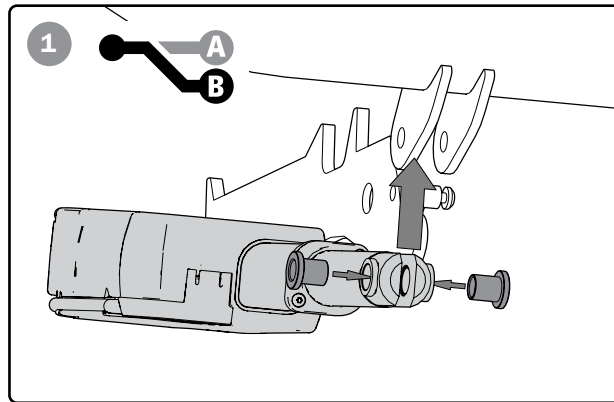
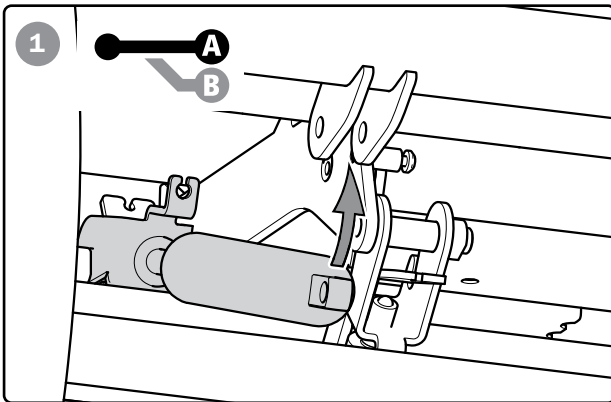
### Back support

The wheelchair is supplied with the back support folded and with push handles/bow handle and head supports unassembled.

1-3. Install fixed gas piston/actuator in the back support frame.



Ensure that the locking pin is secured.



10 mm



5 mm

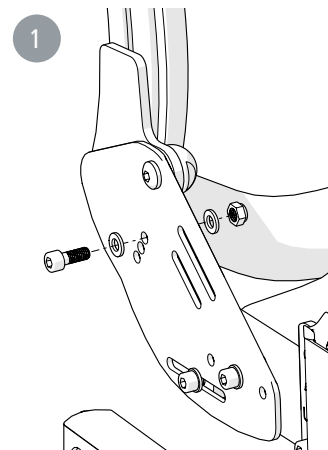


6 Nm



### Back support with fixed angle

1. Mount the back support frame.



5 Nm



5 mm



10 mm

## 8. Installation upon delivery

### Push handle/Bow handle

Install the push handles/bow handle by loosening the handle and pushing in the locking pins on the push handle. Note! push handle with symbol for back angle must be installed on the *left* side, push handle with symbol for tilt must be installed on the *right* side.

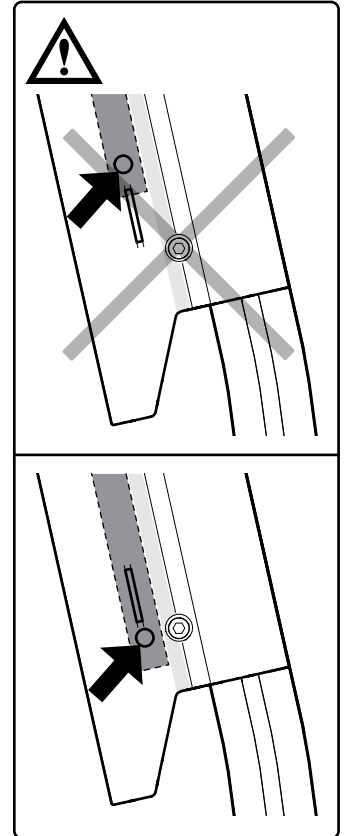
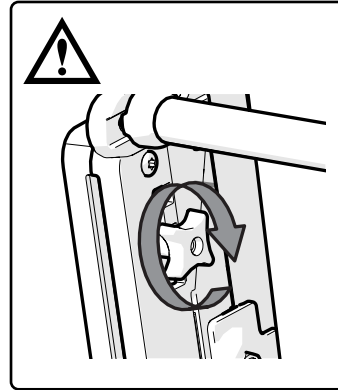
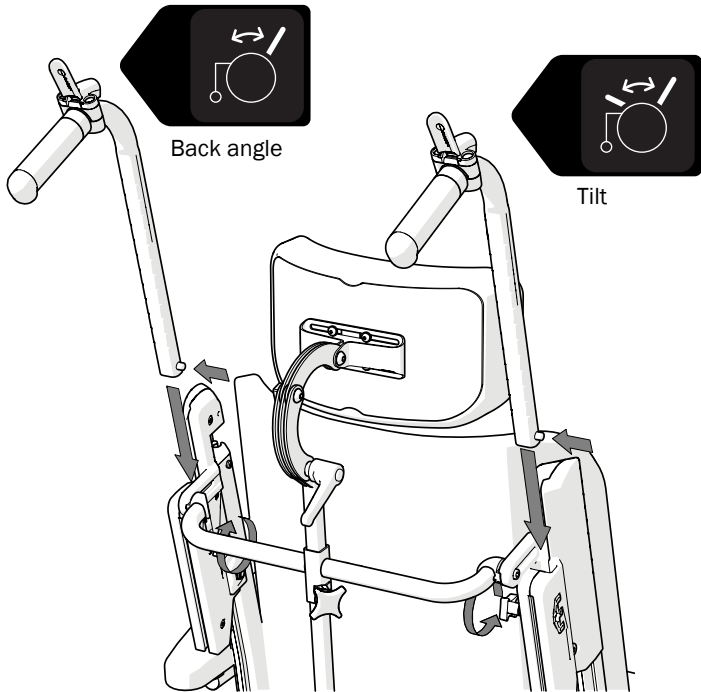
Fasten the handle.



Make sure knobs are securely tightened. This is especially important when lifting the wheelchair with the user in.

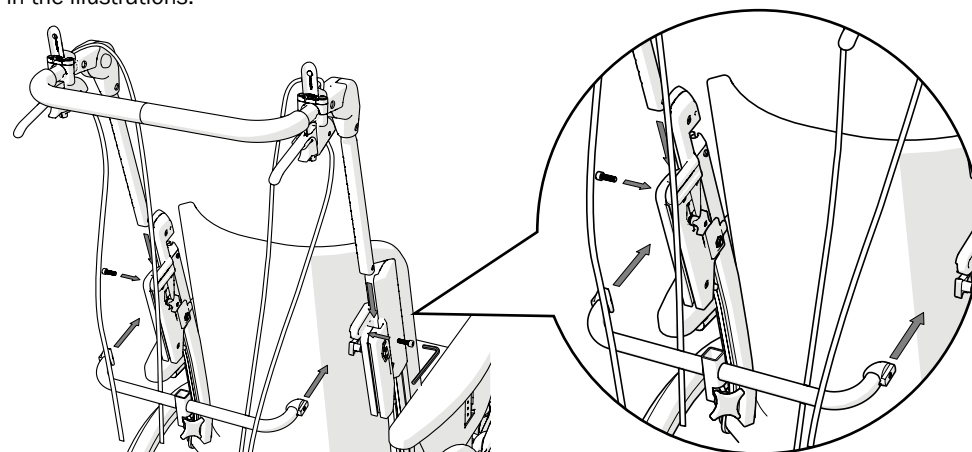


Ensure that the push handle locking pins are secured in the push handle attachment.



### Cross brace

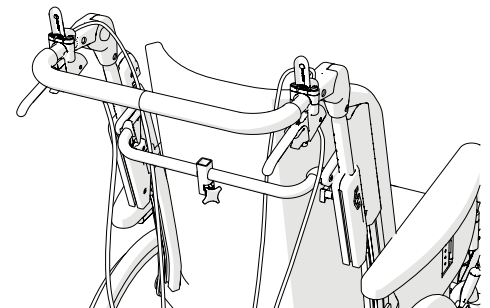
If the chair is equipped with a push brace, it can sometimes be delivered with the cross brace removed. Fit the cross brace as shown in the illustrations.



5 mm



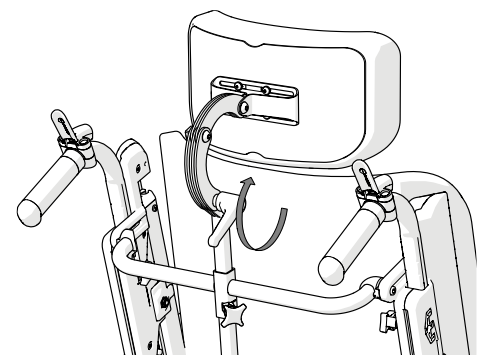
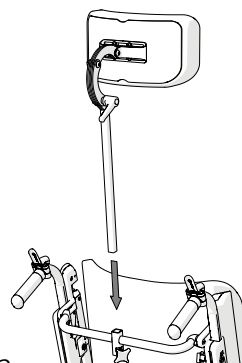
7 Nm



### Head support



Never lift the chair by the head support.



## 9. Charging

### Charging the battery (Electrical recline function)

When the chair is delivered the battery is base charged. The battery must be charged fully before the product is used for the first time, but not later than 12 months after delivery. After this, conservation charging is required at least once every 12 months.

Charging should be done in a dry environment. Ensure that the charging socket is completely dry before charging.

Insert the charging socket and connect the charger to a wall socket.

The voltage indicator (A) is illuminated, showing that the charger is connected.

The two indicators showing that the battery is charging (B) flash. When the lights go out, the battery is fully charged.

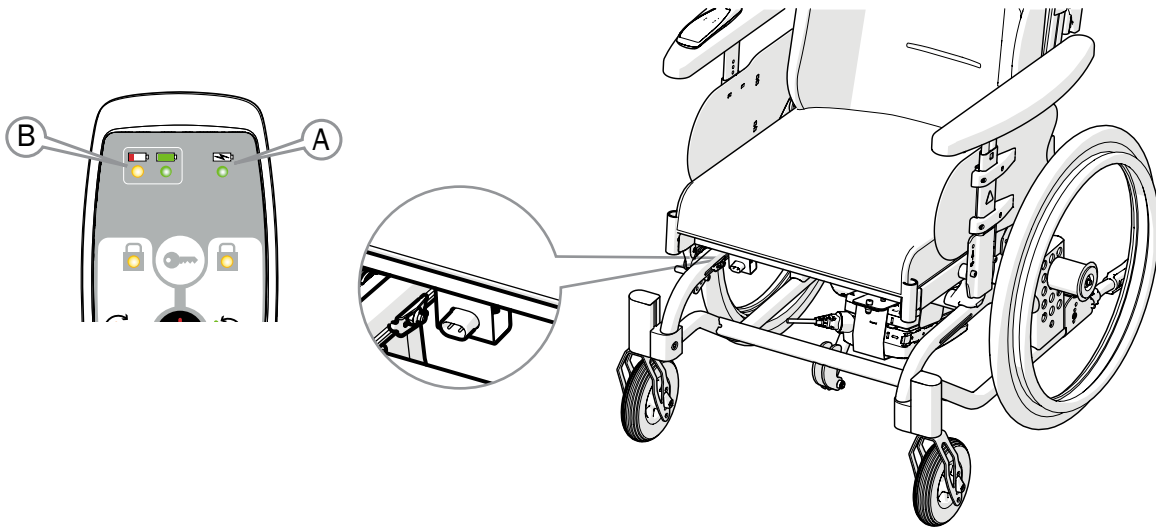
When the battery level is low (0-35%) the hand control emits an audible signal when it is used.



Never charge the battery while the user is sitting in the chair.



Never charge a damaged battery.



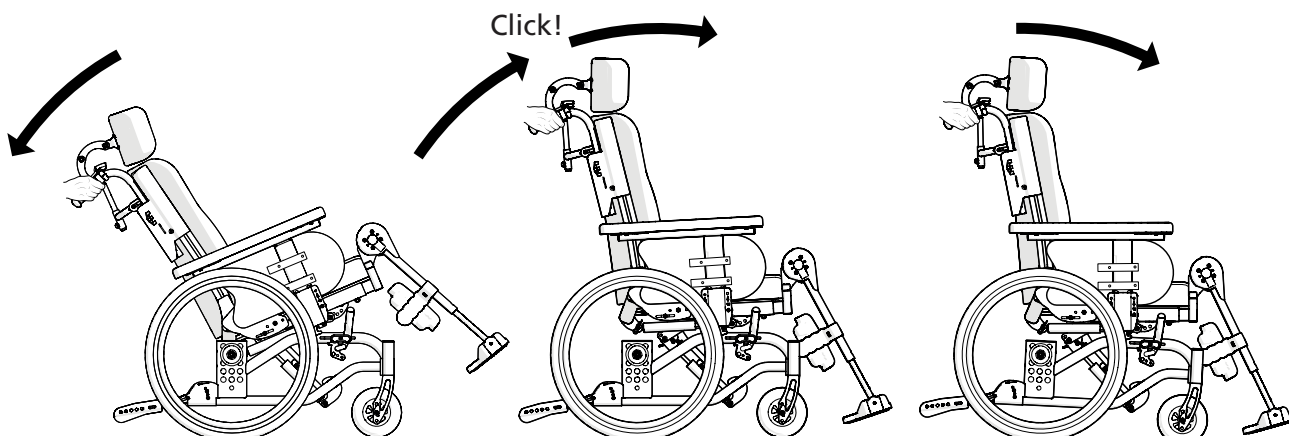
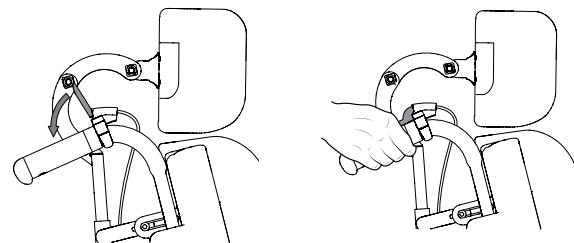
## 10. How to use

### Tilt function, comfort lock

The chair is tilted by pressing down the adjustment on the right handle frame (or on the arm support if the product is equipped with user operated tilt function). On chairs equipped with comfort locks, forward tilting is stopped at the pre-installed comfort lock. Keep the adjustment pressed down, and press forward slightly to get past the comfort lock.



Bear in mind the risk of tipping. Always check the positioning of the anti-tips.



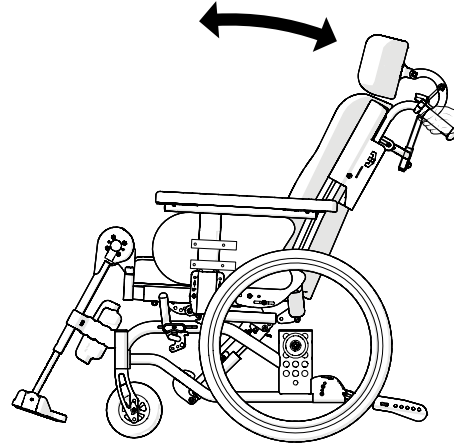
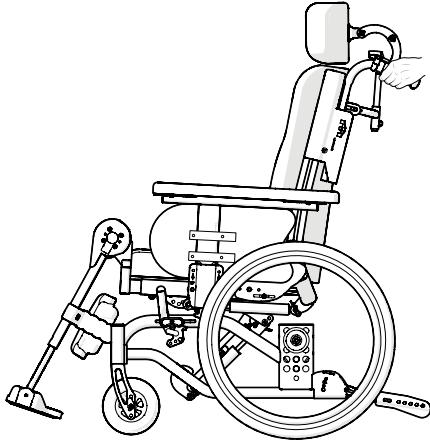
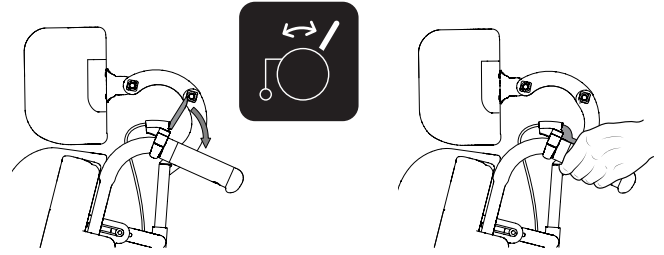
## 10. How to use

### Back angling

The back angle is changed by pressing down the back angle controls on the left side (not for fixed back angle).



Bear in mind the risk of tipping.  
Always check the positioning of the anti-tips.

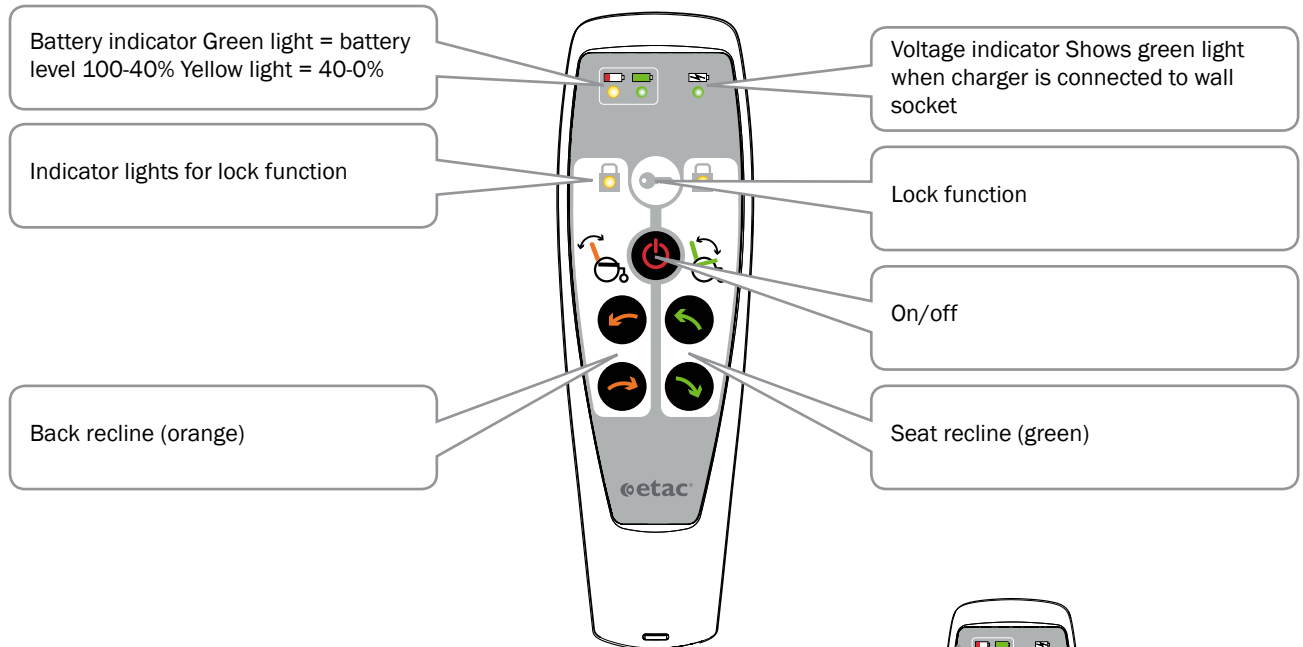


### Electrical recline function

Back angle and seat angle are adjusted by means of the hand control. The hand control is deactivated after not being used for 30 seconds. It can also be deactivated manually by clicking the on/off button.



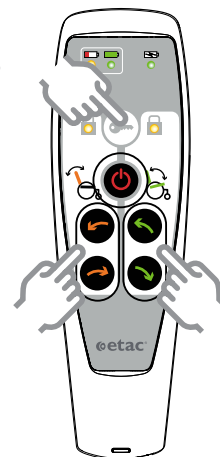
The hand control must not be handled by children or by cognitively impaired persons.



### Locking of functions

The back and/or seat recline functions can be locked. Press the locking button and hold it down. At the same time, press one of the arrow buttons for the selected function. (Both of them work.) The indicator light is lit when the selected function is locked.

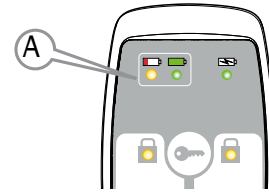
Repeat the same procedure to unlock.



## 10. How to use

### Charging

When the battery level is low (0-35%) the hand control emits an audible signal when it is used and the yellow light (A) is lit. See section 'Charging'.



Never charge the battery while the user is sitting in the chair.

### Electrical recline function, back angle

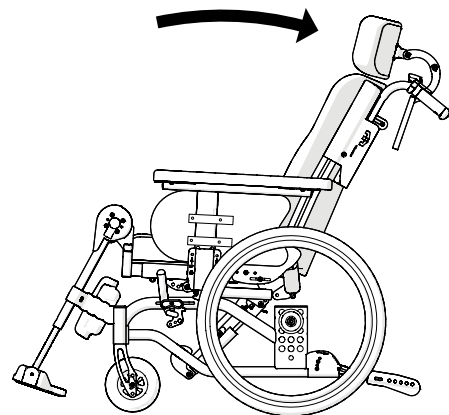
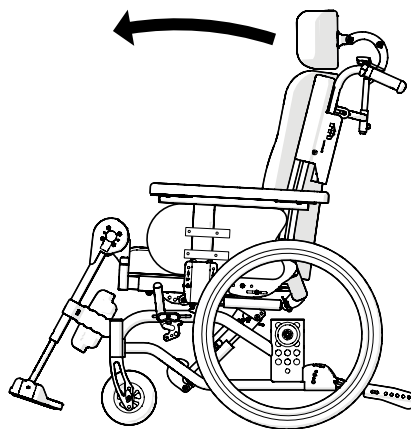
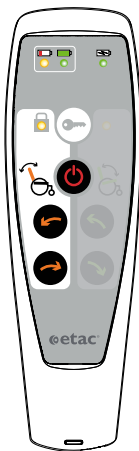
The back angle is adjusted by means of the arrow buttons on the left-hand side of the hand control.



Bear in mind the risk of tipping. Always check the positioning of the anti-tips.



The electrical recline function must not be used when there is an obstacle, e.g. when the user has their legs under a table.



### Electrical recline function, seat angle

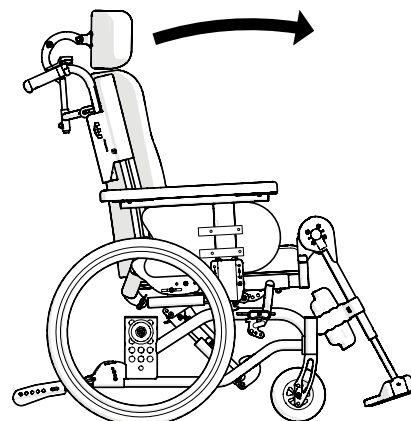
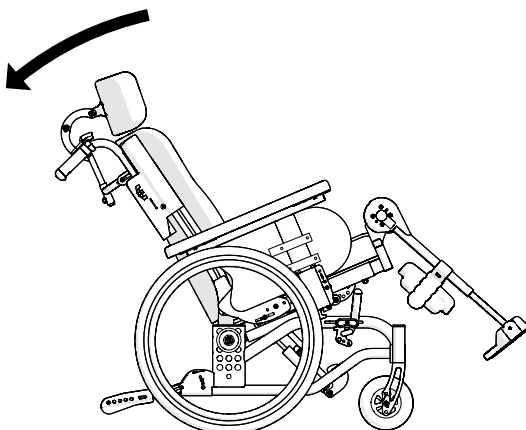
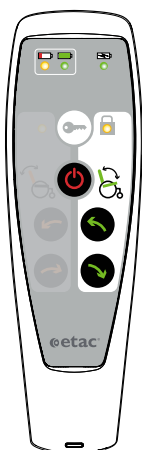
The seat angle is adjusted by means of the arrow buttons on the right-hand side of the hand control.



The electrical recline function must not be used when there is an obstacle, e.g. when the user has their legs under a table.



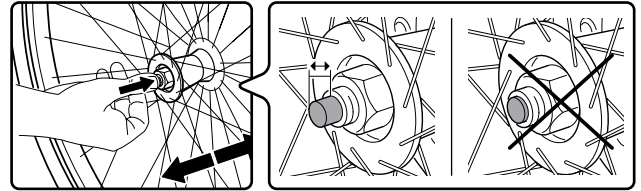
Bear in mind the risk of tipping. Always check the positioning of the anti-tips.



## 10. How to use

### Rear wheel with quick release hub

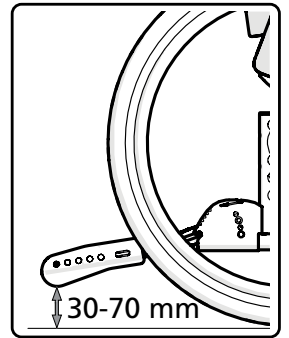
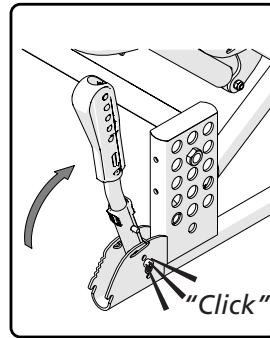
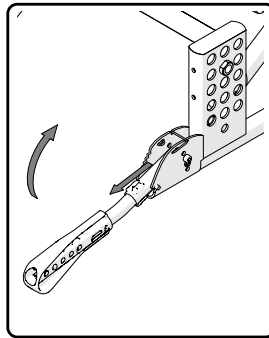
Push the button on the quick-release hub and mount the wheel. The distance between the hub sleeve and the locking balls can be adjusted by adjusting the nut on the outside of the hub. The distance between the hub sleeve and the locking balls should be 0.2 to 1.2 mm.



During installation, check that the rear wheel is securely mounted. The button in the hub should pop out to the original position. Test by pulling the wheel.

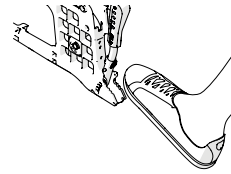
### Anti-tips

- The anti-tips can be folded and are height-settable.
- When unfolding the anti-tip guard, make sure that the locking pin snaps in properly.
- After all adjustments to the chair, the function of the anti-tip guard must be checked. If the anti-tip guard needs to be adjusted, contact your technical aids centre.



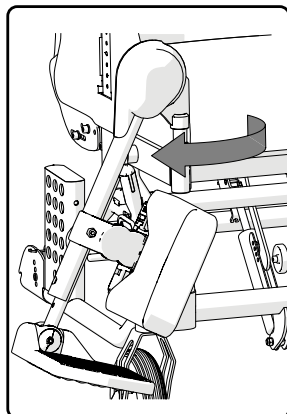
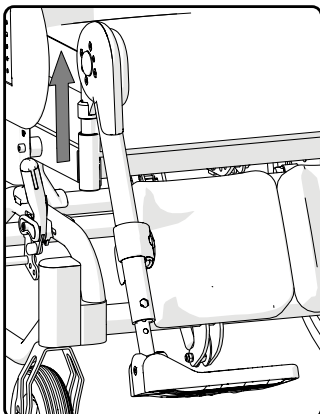
Bear in mind the risk of tipping. Always check the positioning of the anti-tips.

**Tilter** is integrated in the frame



### Leg support, elevating

The leg support can be lifted/swung to the side as needed. The footplates can be folded and the calf support can be swung to the side.

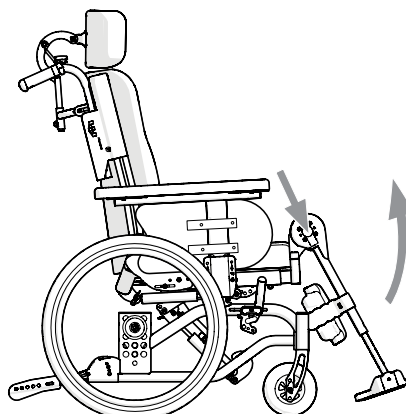


### Leg support angle

The leg support angle is adjustable in fixed positions. Set the angle by pressing down the button and lifting/lowering.



Don't lift the chair by the leg supports.





## 10. How to use

### The push handle/bow handle, height-adjustable

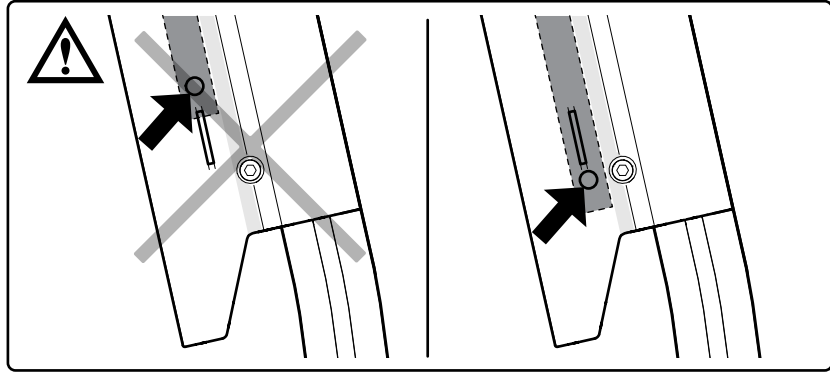
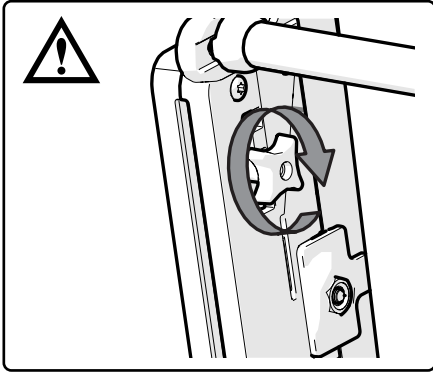
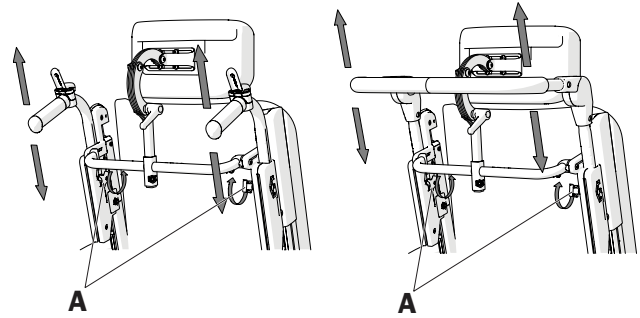
Loosen the knob for the push handle lock (A). Install desired height. Ensure that the push handle is in a "snap lock" position, tighten the knob.



Make sure knobs are securely tightened. This is especially important if the chair is to be lifted with the user sitting in it.



Ensure that the push handle locking pin is always secured under the push handle attachment.

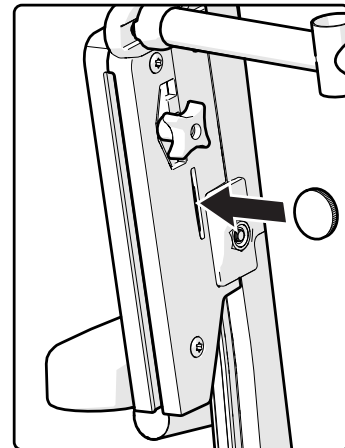
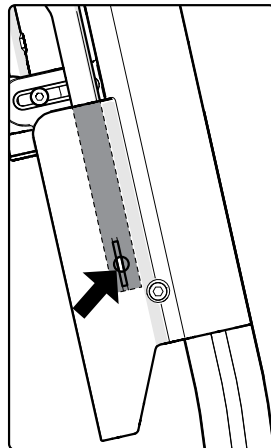
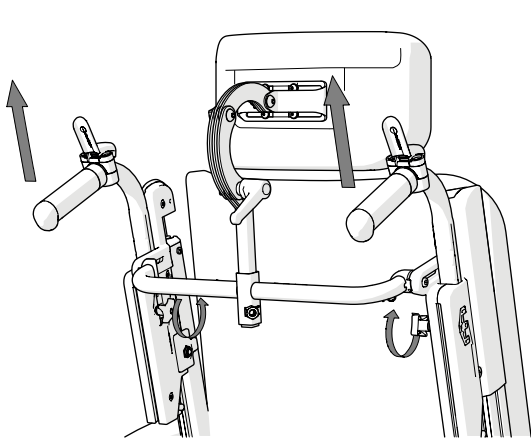


### Loosen push handle/bow handle

Loosen the knob for the push handle lock. Pull up the push handle until the locking pin engages in the track. Insert a coin or a flat tool in the groove on the right side to unsnap the locking pin on the handle. Pull the push/pull handle out of the attachment.

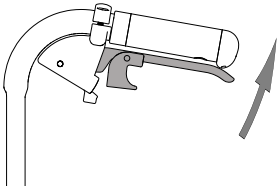


If back support height exceeds 60 cm, handles/push bar cannot be detached.



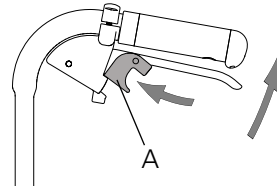
## 10. How to use

### Attendant brake (motion brake)



- Brake while in motion by pushing the brake handle upwards.

### Attendant brake (parking brake)



- Activate the parking brake by pressing the brake handle upwards and pressing button A.
- Loosen by pressing the handle upwards.

# 11. Seating comfort settings

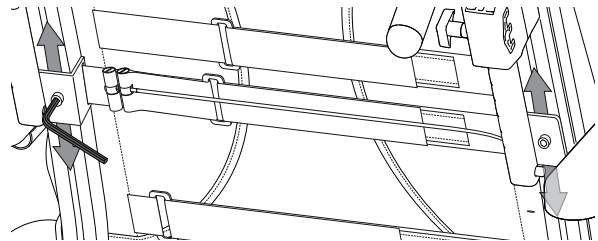
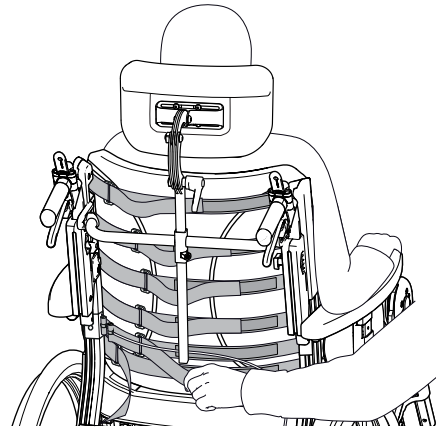
## Seating comfort

Good seating comfort depends on the needs and possibilities available to each individual. The following general guidelines here show what to consider when settings are made.

### Back support upholstery

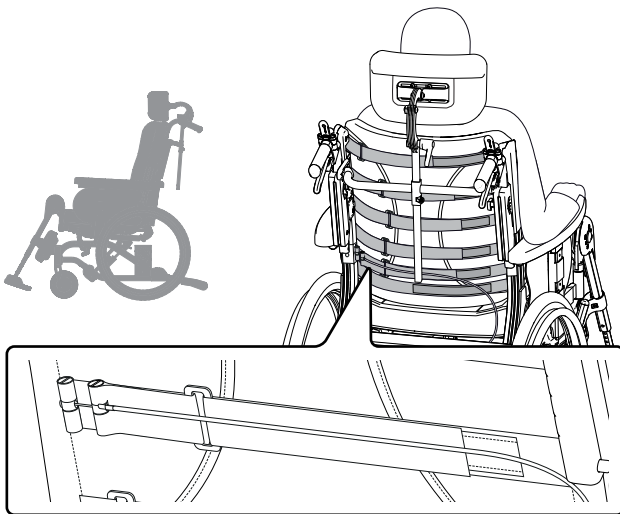
The back support upholstery is adjusted with the user sitting in the wheelchair.

- Make sure the user is sitting as far back in the seat as possible.
- Angle the back support so that the dynamic pelvic support is activated (see illustration).
- Support the pelvis by tightening the dynamic pelvic support belt. Remember that the belt is automatically loosened when the back support is tilted back (see illustration). The pelvic support belt is height-adjustable (see illustration).
- Then adjust the upper strap to provide the user with upper body support and balance.
- The other straps are adjusted to provide space for the user's posterior and follow the back's natural curvature.

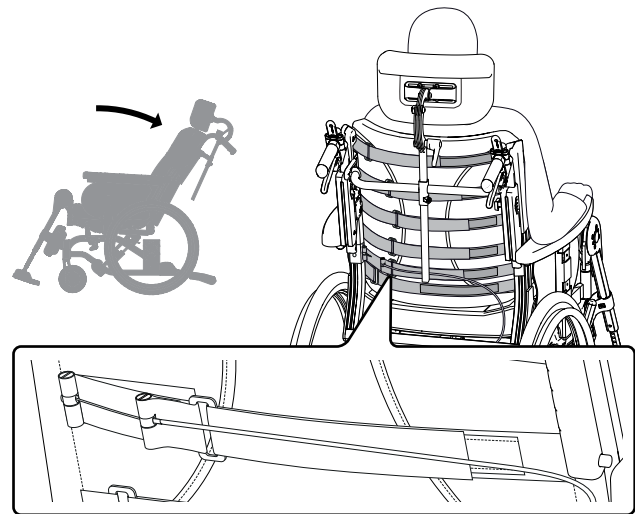


Bear in mind the risk of tipping.  
Always check the positioning of the anti-tips.

### Dynamic pelvic support activated



### Dynamic pelvic support deactivated



## 11. Seating comfort settings

### Head support

The head support is height, depth, side and angle-adjustable.



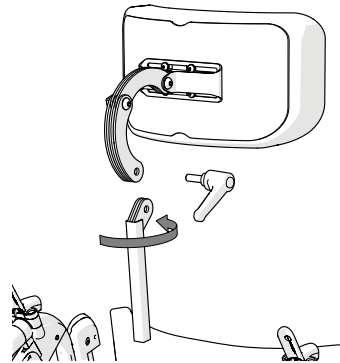
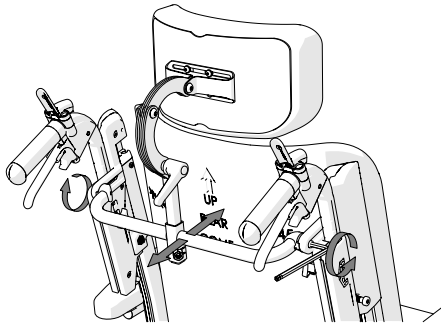
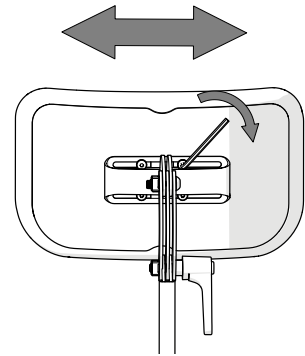
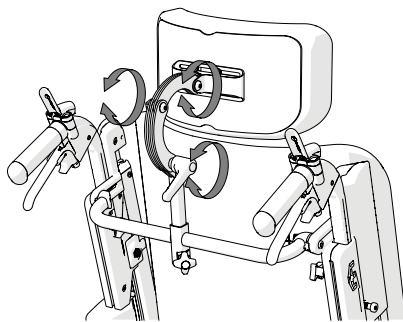
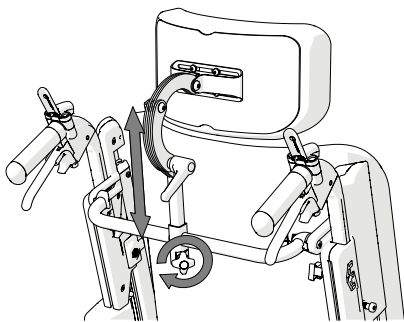
Bear in mind the risk of tipping.  
Always check the positioning of the anti-tips.



Never lift the chair by the head support.



It is easier to install screws and nuts when  
the head support is removed.

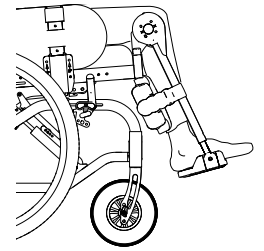


# 11. Seating comfort settings

## Footplates

Adjust the height to support the feet and so that the thighs rest against the seat cushion.

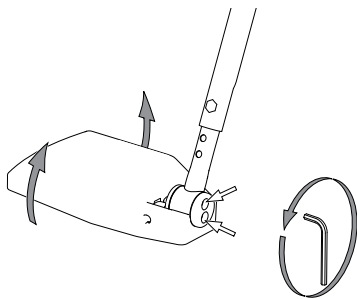
For outdoor use the footplates should be raised 4 – 6 cm above the ground.



Tipping risk!  
Never stand on the footplates

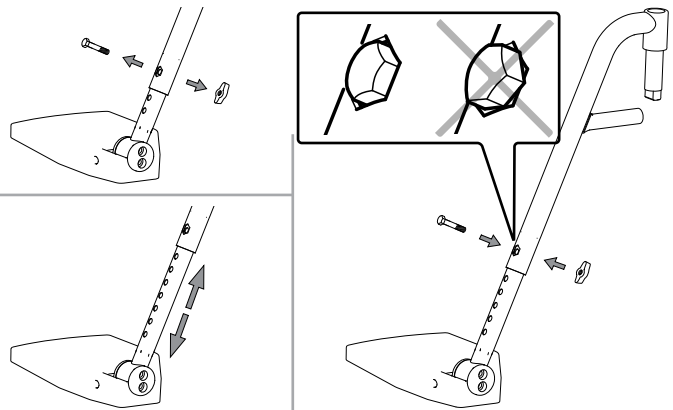
## Angle adjustment

Adjust the angle of the foot supports so that your ankles are at a 90° angle.



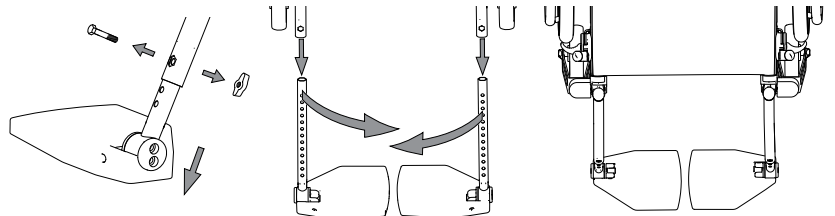
## Adjusting the height

Fully loosen the locking handle on the leg support. Remove the screw. Set the height. Replace the screw and handle. Tighten securely.



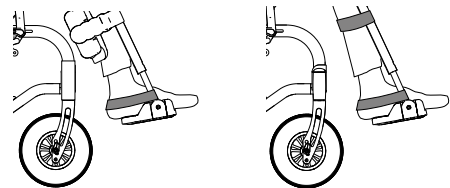
## Changing the depth of the foot supports

Adjust the depth of the foot supports by switching the right and left foot support. Do not forget to adjust the angle.



## Calf/heel strap

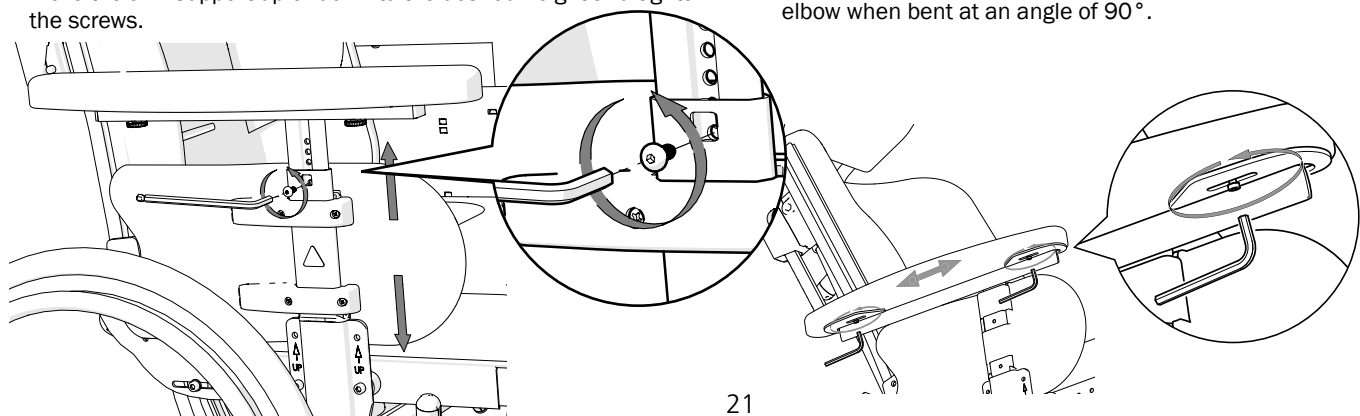
• Adjust the length so that the centre of the feet are placed on the footplates.



## Arm support (adjustment)

- Loosen the screw for height adjustment (see also section "Settings, readjustments").
- Move the arm support up or down to the desired height and tighten the screws.

- Loosen the screws on the underside of the arm support cushion to adjust the length of the cushion.
- Correctly adjusted arm supports provide upper body support. The arm support plate should be approximately 5 mm taller than the elbow when bent at an angle of 90°.

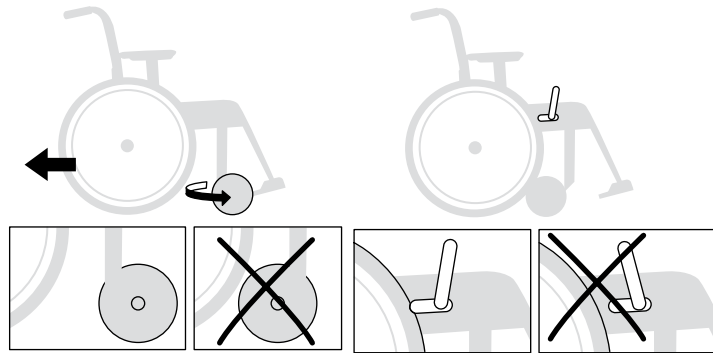


## 12. Driving technique, use



### Parking

Turn the castor wheels forward, apply the brakes.

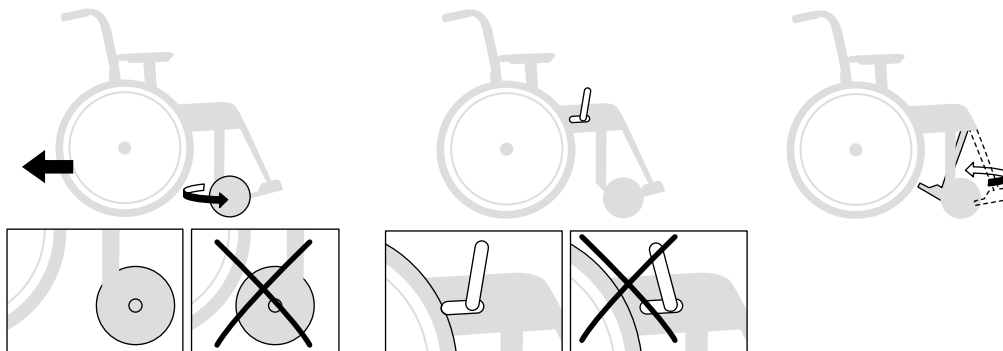


Do not park the wheelchair on a hill when it has a user in it.

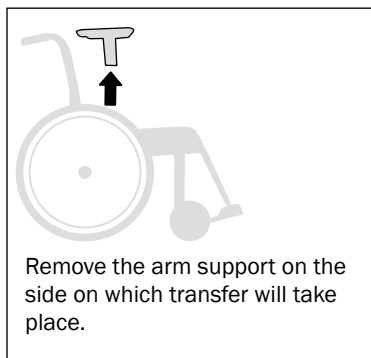
### Transferring to/from the wheelchair



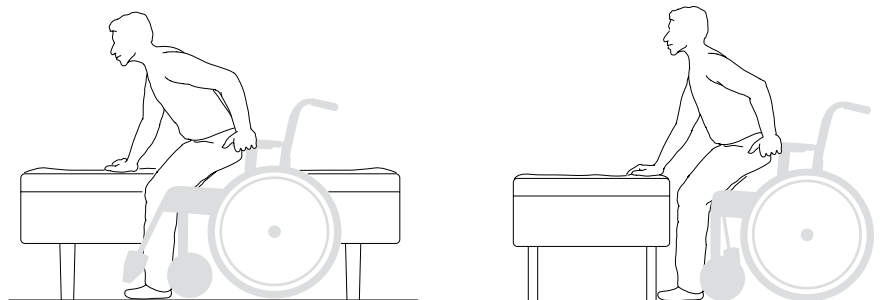
Never stand on the footplates as there is a risk of tipping!



### Sideways



### From the front

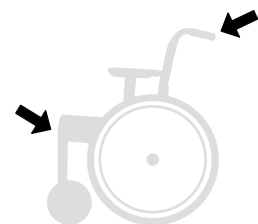
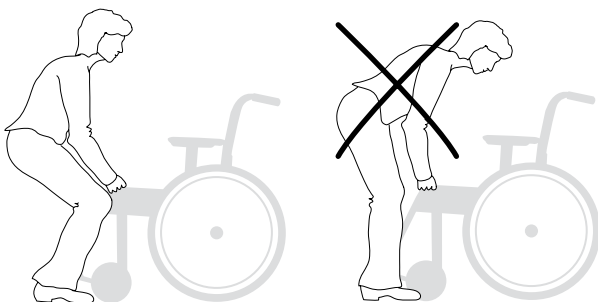


### Lifting the wheelchair

- Ensure that the vertically adjustable push handles are properly tightened.
- Swing the leg supports away and lift the wheelchair by the front upper part of the frame.



Never lift the chair by the head support, leg supports or arm supports.

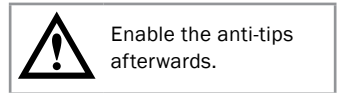
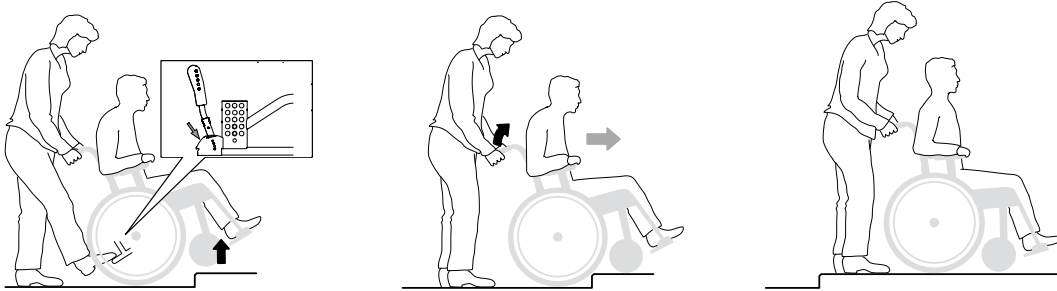


## 12. Driving technique, use



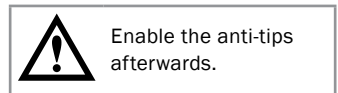
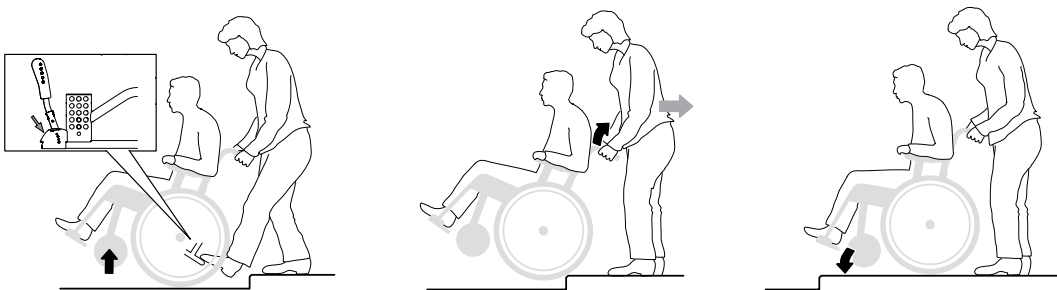
### Carers, up forwards

- Ensure that the anti-tips are disabled.



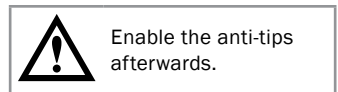
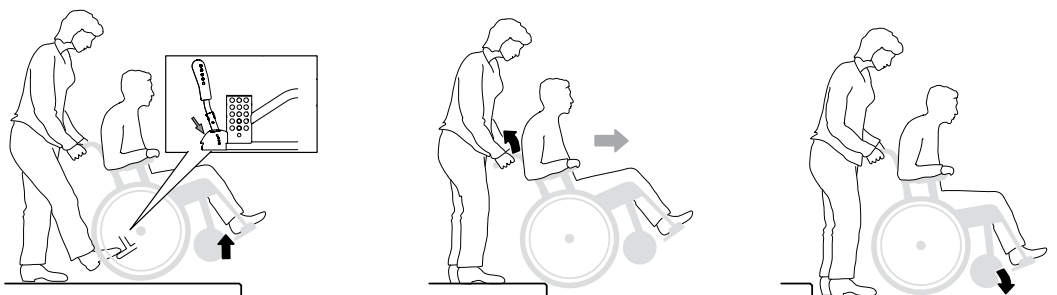
### Carers, up backwards

- Ensure that the anti-tips are disabled.



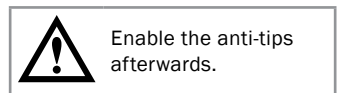
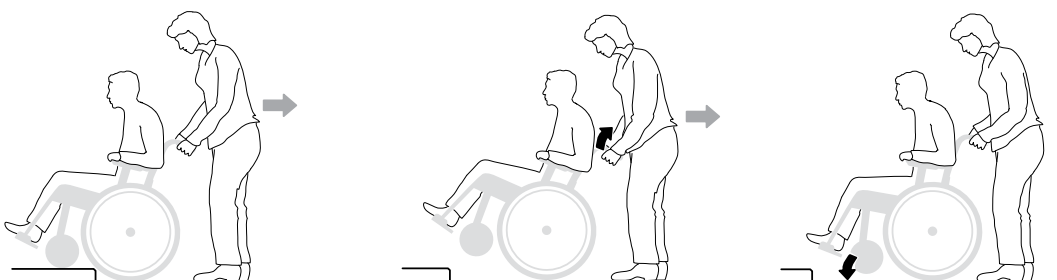
### Carers, down forwards

- Ensure that the anti-tips are disabled.



### Carers, down backwards

- Ensure that the anti-tips are disabled.



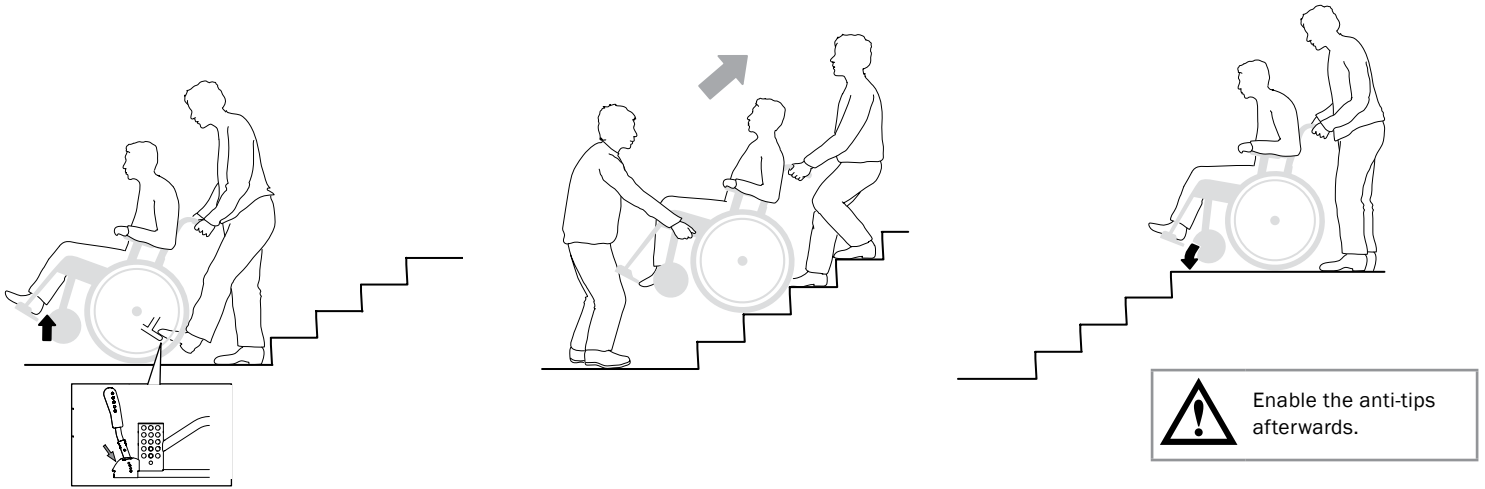
## 12. Driving technique, use



### Stairs, up

- Ensure that the anti-tips are disabled and that height-adjustable handles are securely tightened.

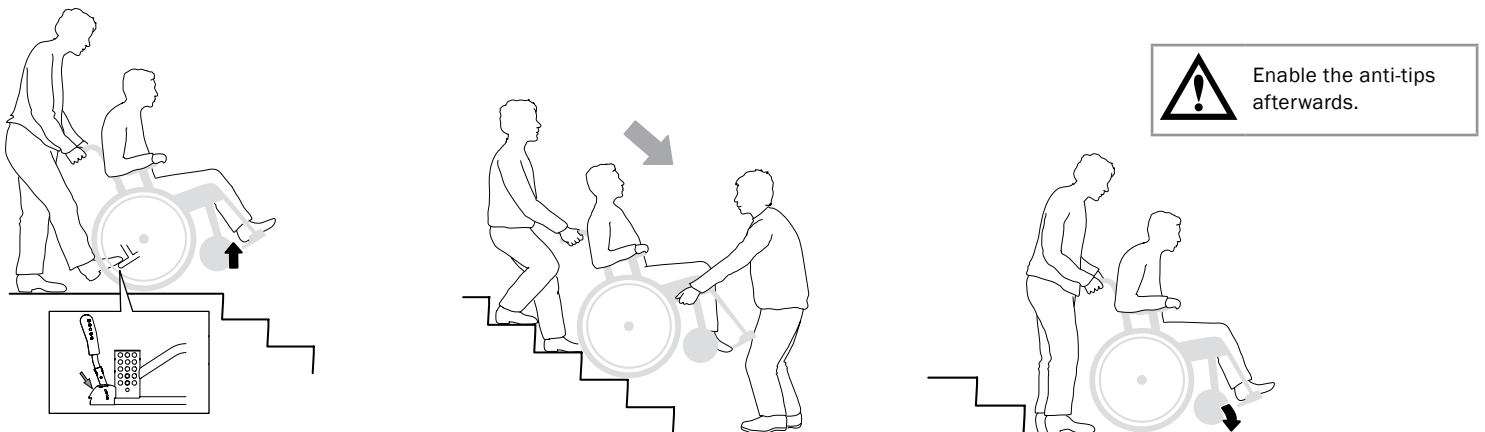
We recommend there always being two carers for this transfer. One walking behind and holding the push handle and one walking in front, holding the frame. Never use an escalator, even if a carer is available.



### Stairs, down

- Ensure that the anti-tips are disabled and that height-adjustable handles are securely tightened.

We recommend there always being two carers for this transfer. One walking behind and holding the push handle and one walking in front, holding the frame. Never use an escalator, even if a carer is available.

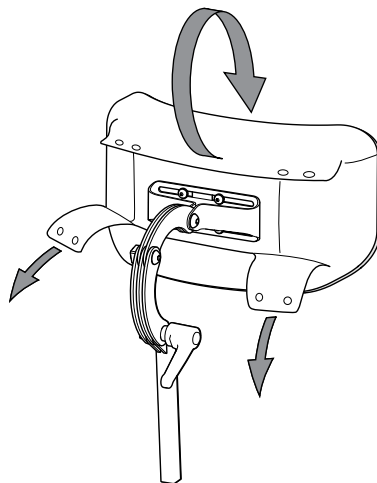
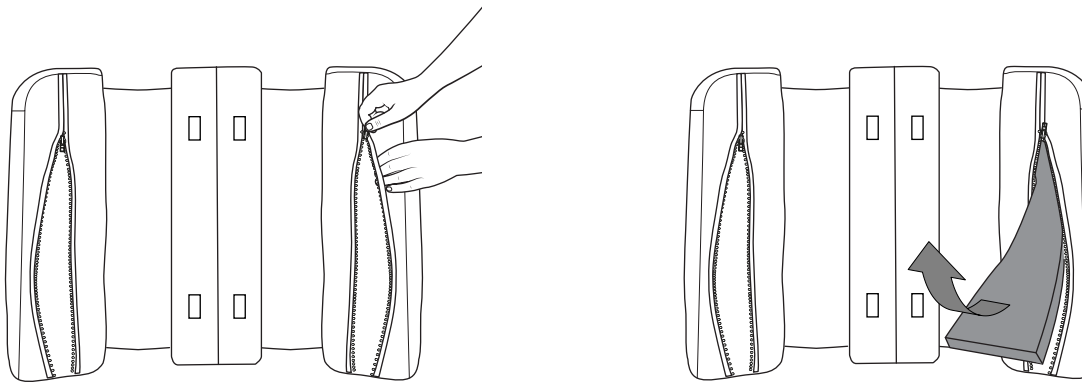
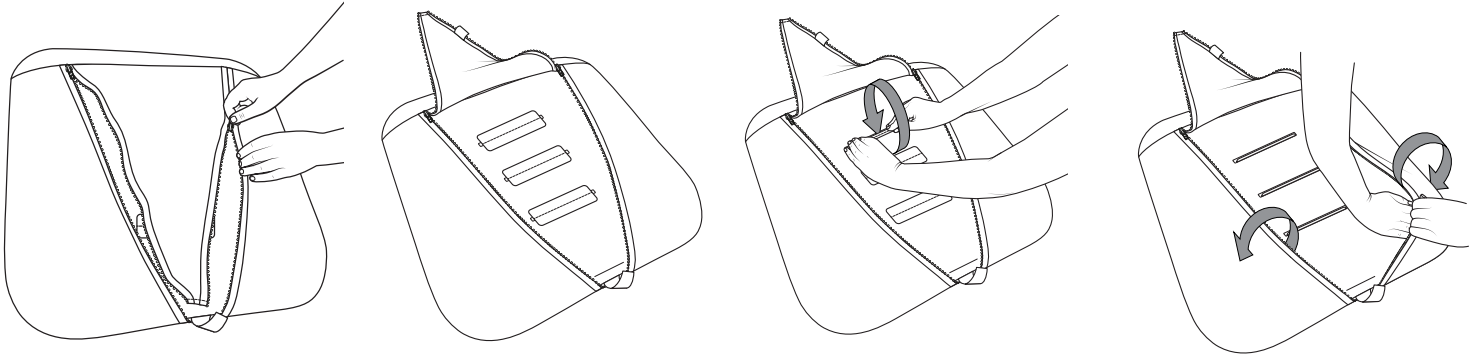




## 13. Removal of upholstery

### Back cushion

- The back cushion is removed and attached using the zipper.

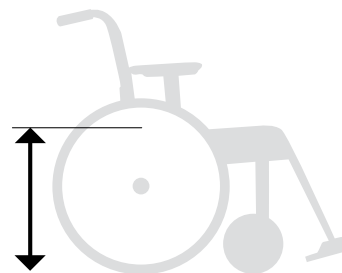


# 14. Advanced settings, adjustments

## Seat height

Seat height adjustable using:

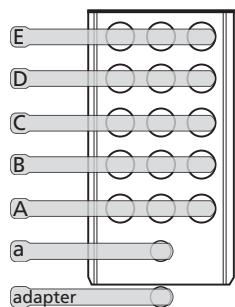
- The rear wheel position in the frame and the castor position in the fork.
- Change of rear wheel size



The chassis undercarriage must always be horizontal. When changing the seat height, the front seat height must also be adjusted. See Section "Height adjustment, front".

Bear in mind the risk of tipping. Always check the positioning of the anti-tips.

### Seat height table



Short fork											Medium fork										
S1			S2				S3				M1			M2				M3			

Pos.		Seat height	Short fork								Medium fork												
			6"	6"	6,5"	7"	8"	6"	6,5"	7"	8"	6"	6,5"	8"	6"	6,5"	7"	8"	6"	6,5"	7"	8"	
E	20"	38,0	X																				
	22"	40,5		X	X							X	X										
	24"	42,5			X	X	X	X				X	X*	X									
D	20"	40,5		X										X									
	22"	43,0				X	X	X	X					X*	X	X							
	24"	45,0			X	X			X	X	X			X		X	X	X	X				
C	20"	43,0				X	X	X	X					X*	X	X							
	22"	45,5							X	X						X	X	X	X	X			
	24"	47,5							X	X	X				X	X	X	X	X	X	X	X	X
B	20"	45,5							X	X						X	X	X	X				
	22"	48,0								X						X	X	X			X		
	24"	50,0								X						X	X	X	X	X	X		
	16"***	40,0		X								X											
A	20"	48,0										X				X	X	X					
	22"	50,5										X					X	X	X	X	X		
	24"	52,5										X									X	X	
	16"***	42,5			X	X	X	X							X*	X						X	X
a	16"***	45,0		X							X	X					X	X	X				X
ad.	16"***	51,5																					X

\*Only 8 x 13/8" (200 x 35 mm), not 8 x 2" (200 x 50 mm)

\*\* Chair equipped with electrical recline function must have anti-crush guard fitted.

# 14. Advanced settings, adjustments

## Changing the rear wheel position

1. Loosen the nut.
2. Open the kit with the washers and install at the required position (see table in Section "Seat height table").  
An adaptor sleeve should be used with 16" wheels in positions A2 and B2.
3. Adjust the castors/castor fork so that the chassis undercarriage is horizontal (see section "Height adjustment, front").

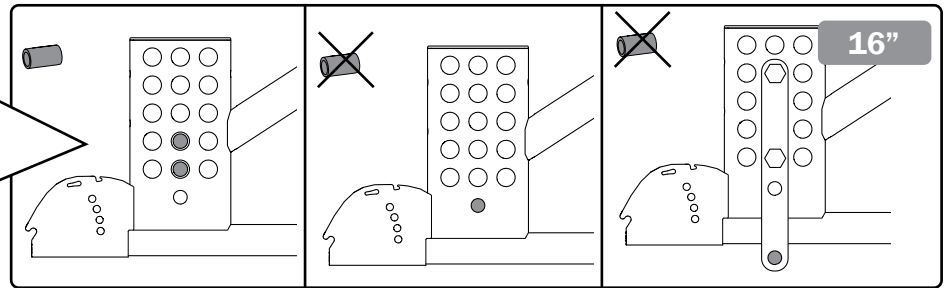
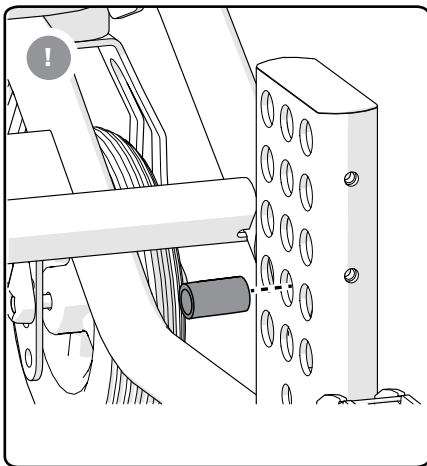
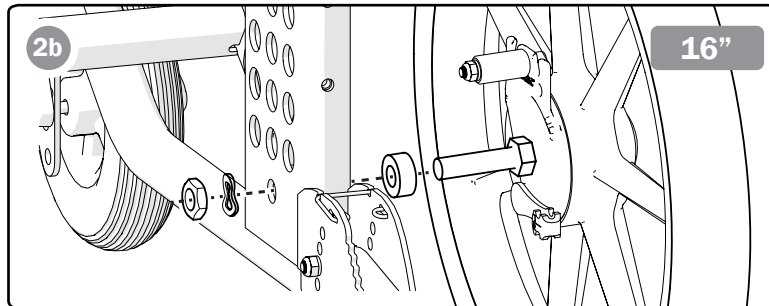
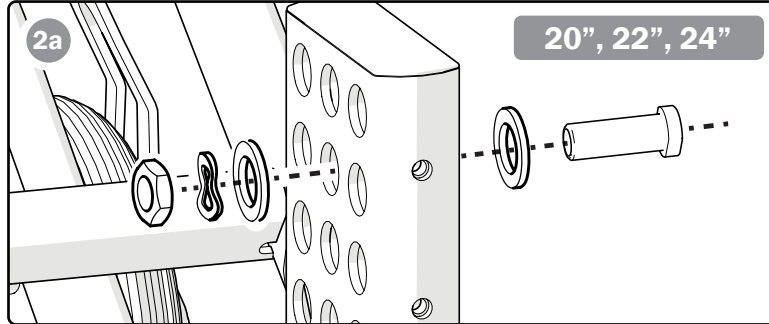
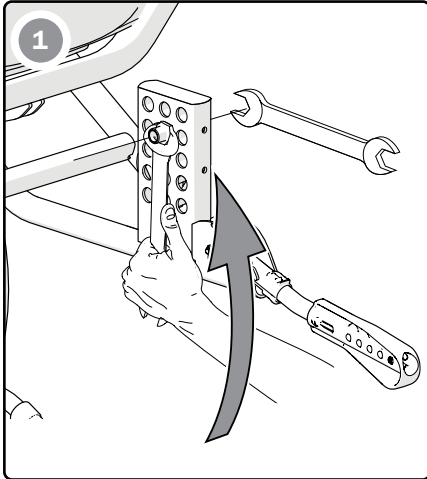
4. Adjust the user brake, see section "Brake, adjustment".



Bear in mind the risk of tipping.  
Always check the positioning of the anti-tips.



In certain rear wheel positions, there is a crushing hazard between the arm support and rear wheel (if the arm support is set at low height).



17 mm  
24 mm

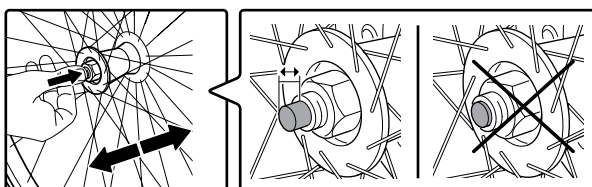
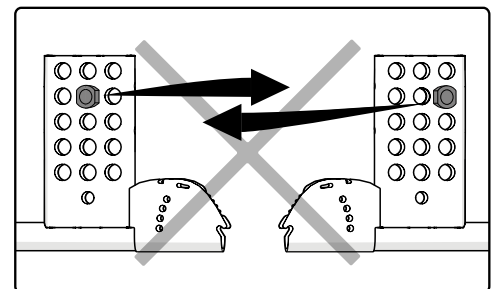
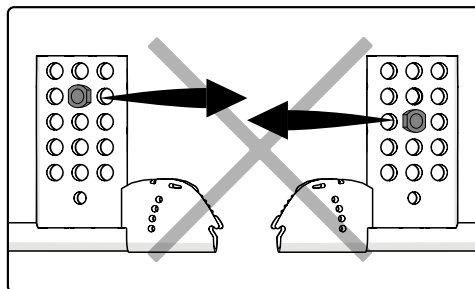
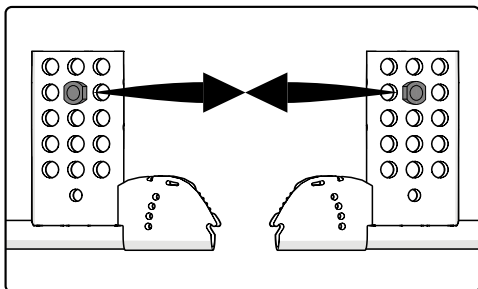


14 Nm

During installation, make sure that the hubs end up in the same position on the right and left side.



During installation, check that the rear wheel is securely mounted. The button in the hub should pop out to the original position. Test by pulling the wheel.



## 14. Advanced settings, adjustments

### Height adjustment front

The chassis undercarriage must always be horizontal. When adjusting the seat height, it is therefore also necessary to adjust the castor wheel position in the fork or change the castor/fork (see Section "Seat height table").

### Height adjustment front fork housing

With a 6.5" castor wheel, the front fork housing must be height-adjusted in certain rear wheel positions. Loosen the screw that holds the front fork housing and adjust the height so that the lower tube of the chassis is parallel to the floor.

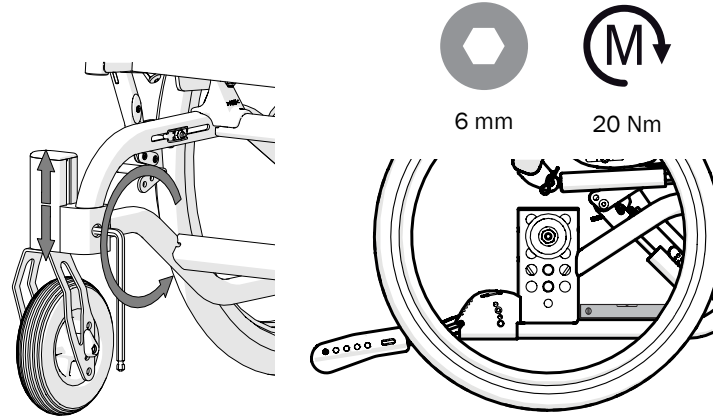
Tighten the screw again.



Bear in mind the risk of tipping. Always check the positioning of the anti-tips.



Bear in mind the risk of tipping. Always check the positioning of the anti-tips.

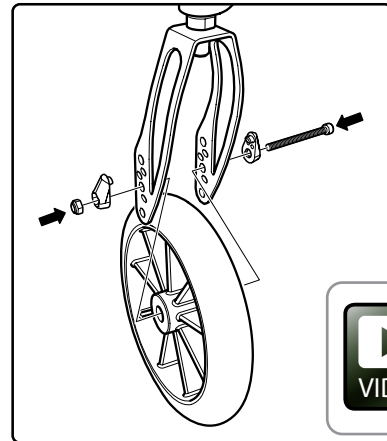
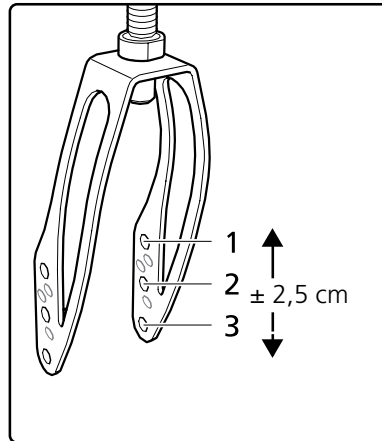
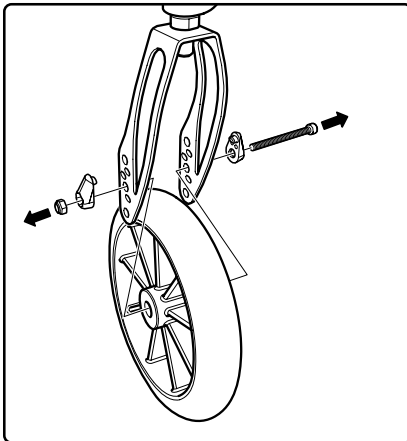


### Disassembly/assembly of the castor wheel

Loosen screw, nut and spacers and mount the wheel in correct position.



Bear in mind the risk of tipping. Always check the positioning of the anti-tips.



5 mm



### Disassembly/assembly of the front fork

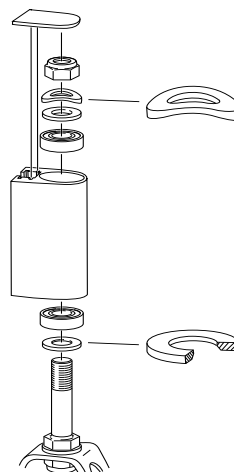
1. Remove the nut cover and disassemble/assemble the front fork with the castor wheel in accordance with the illustration.

NB! It is important to ensure that the ball bearings and washers in the attachment (under the retaining nut) are placed in the right order with the spring washer on top.

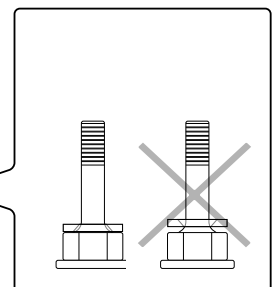
During installation, tighten the retaining nut until it comes to a stop and then release by ½ - 1 turn. The spring washer then has the correct tension and reduces the risk of the castor starting to "wobble".



Bear in mind the risk of tipping. Always check the positioning of the anti-tips.

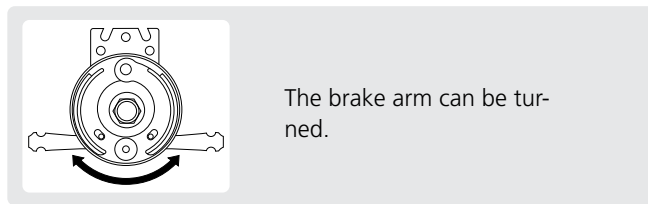
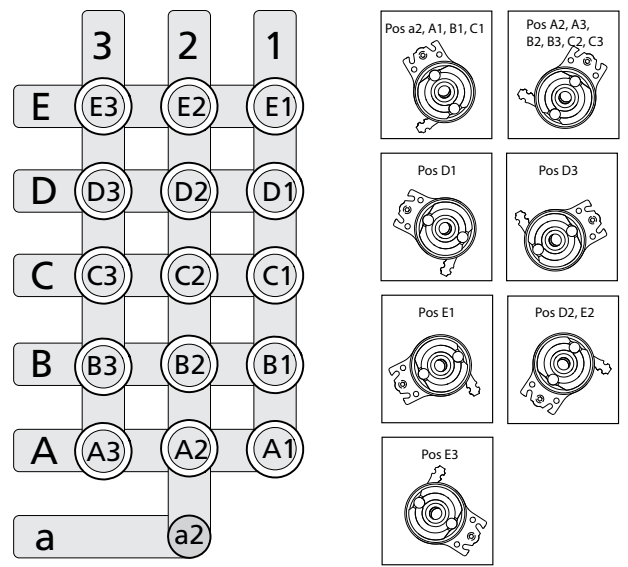
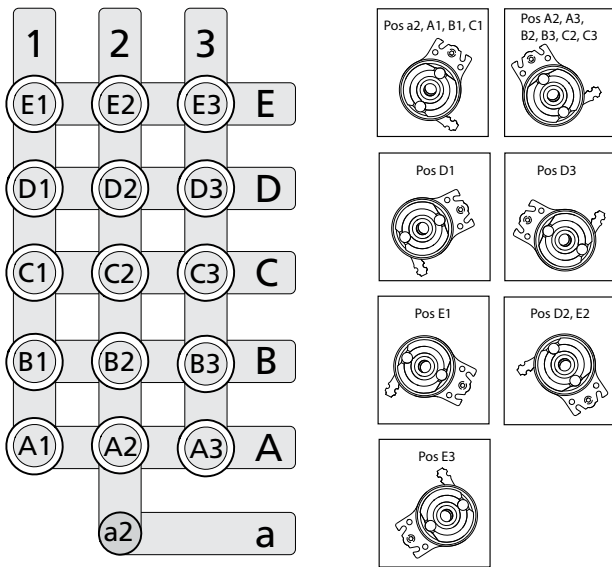
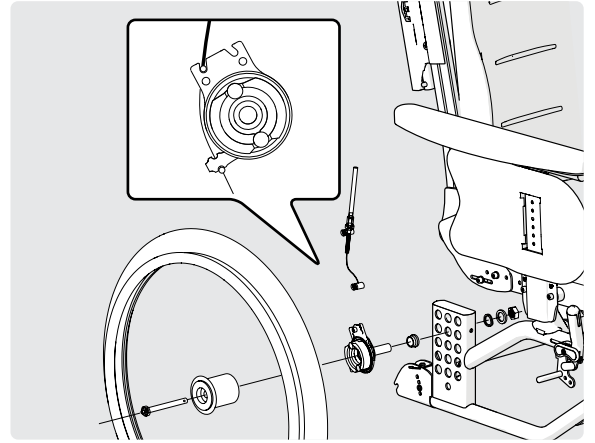
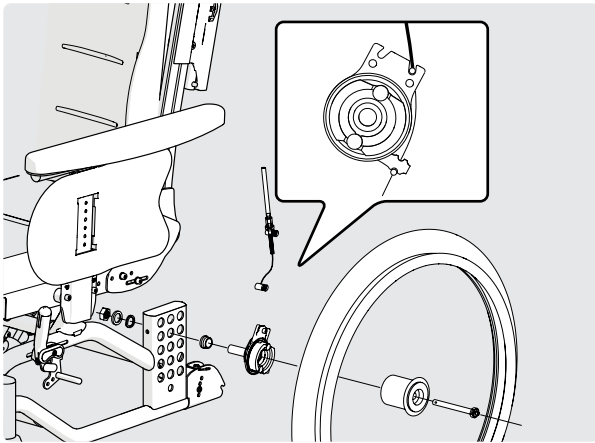


19 mm



# 14. Advanced settings, adjustments

## Seat height adjustment with attendant brake

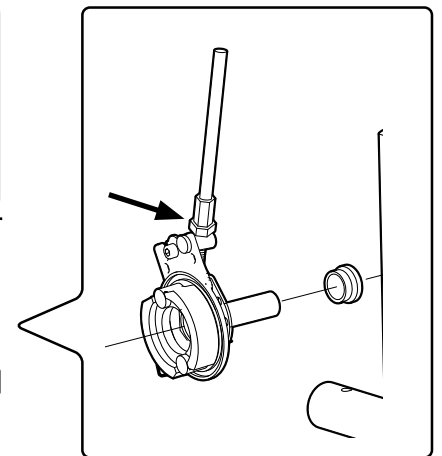
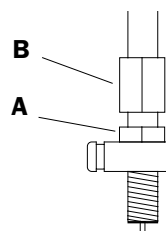


When adjusting the brake loosen nut (A) and adjust the brake by moving (B) up/down.

When the brake has a reasonable effect tighten nut (A). This adjustment should be carried out when the brake is not functioning satisfactorily.



8 mm



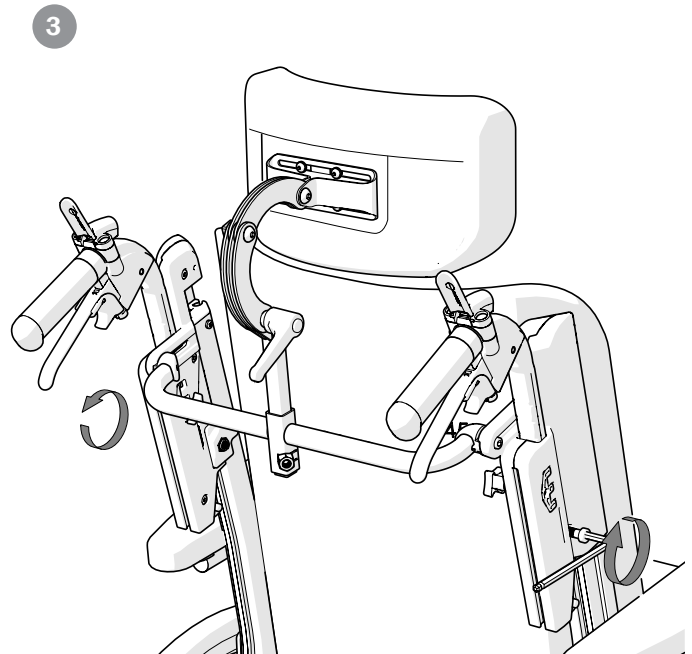
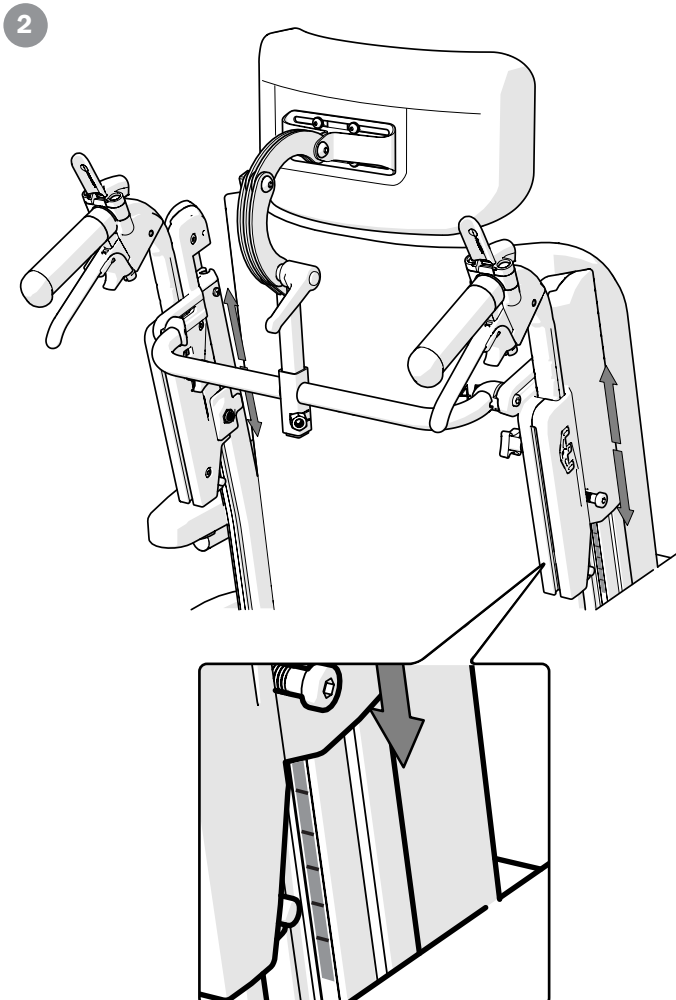
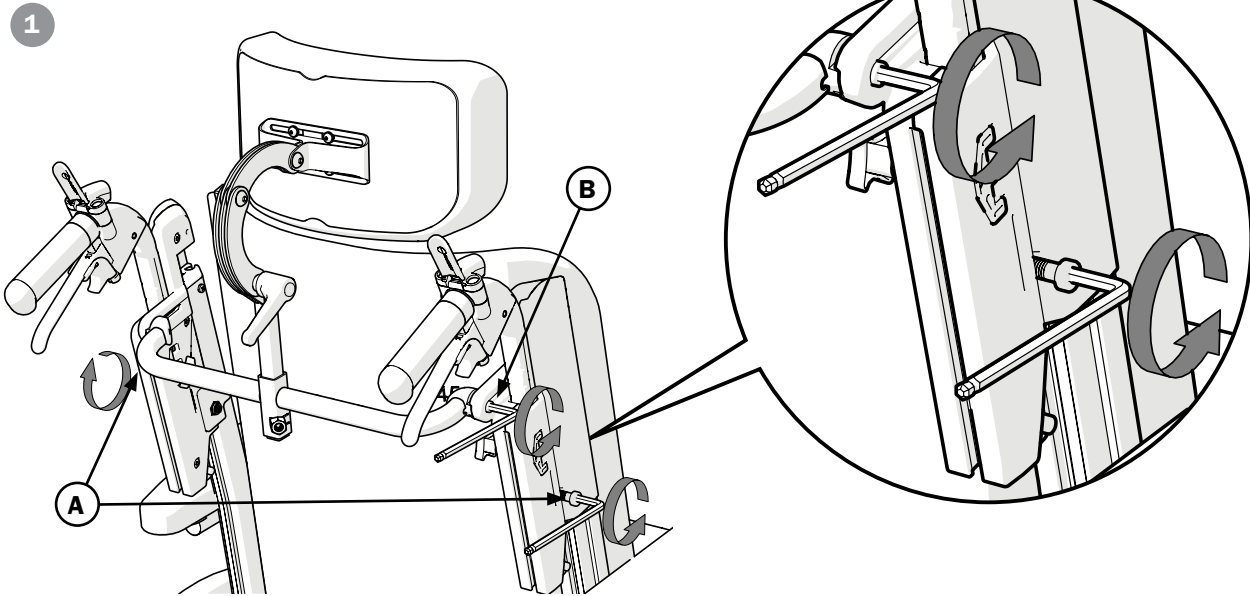
## 14. Advanced settings, adjustments

### Back height adjustment

The height of the back can be adjusted:

1. Loosen the screws on the side of the back support.
2. Gradually raise or lower using the scale. Ensure that both sides have the same height setting. We recommend that the top of the back support tubes is aligned with the axles.

3. Tighten the screws securely.



## 14. Advanced settings, adjustments

### Seat depth, front

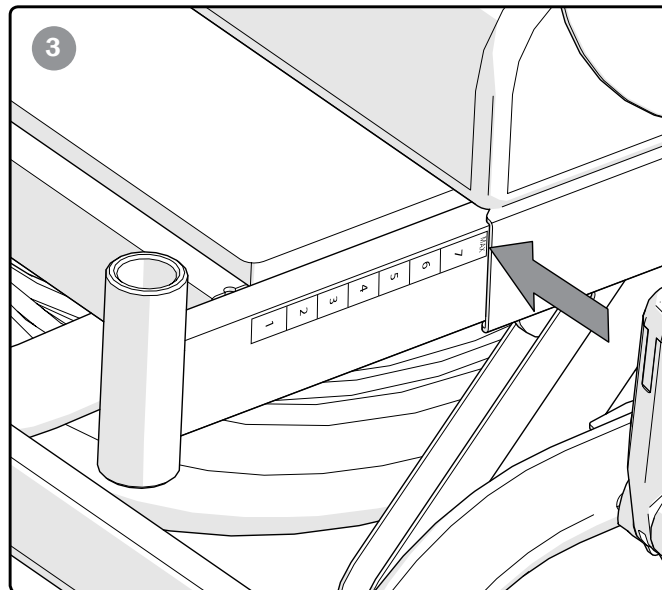
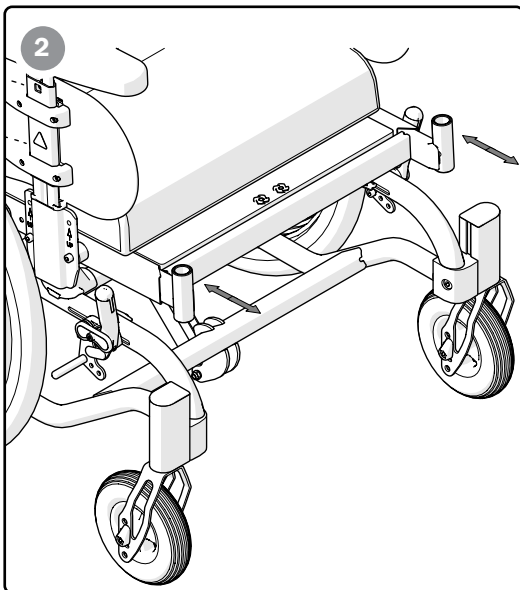
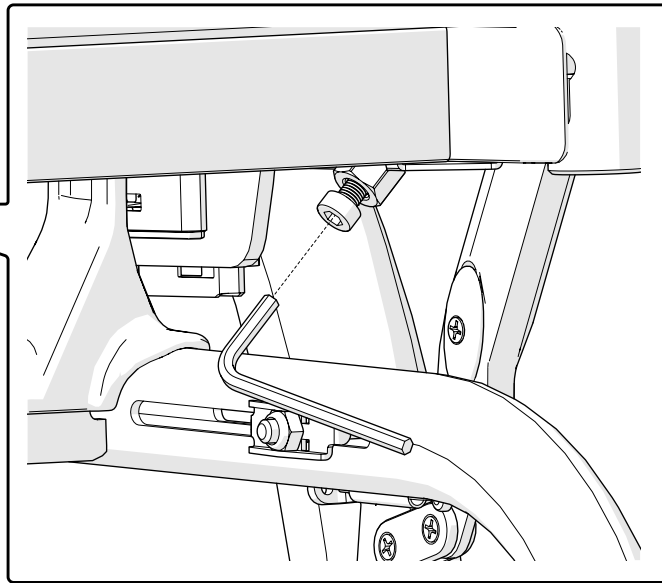
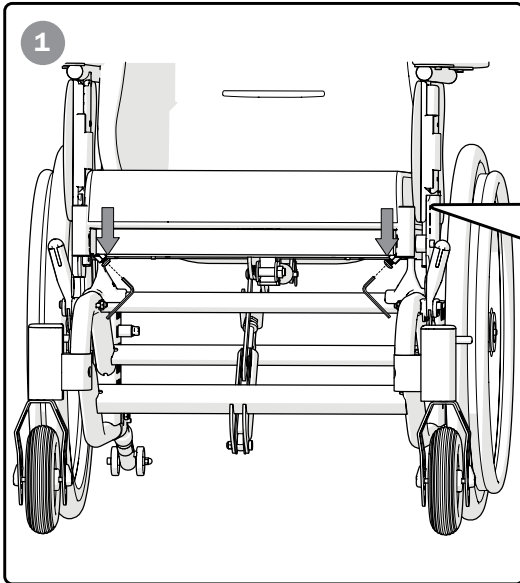
1. Loosen the screws on both sides of the seat.
2. Adjust the seat depth by pulling the seat out or by pushing it in.
3. The front seat depth can be adjusted by up to 7 cm.  
Do not pull the seat out further than the "max. line".
4. Tighten the retaining screws.



Bear in mind the risk of tipping.  
Always check the positioning of the anti-tips.



5 mm



## 14. Advanced settings, adjustments

### Seat depth rear

The seat depth can be adjusted in three fixed positions by epositioning the back chassis and the rear seat plate.

1. Tilt the back support upwards.
2. Tilt the seat as far back as possible and remove the seat cushion.
3. Lift the seat plates off by loosening the screws on the bottom of the seat chassis.
4. Twist the anti-tips to one side.



Bear in mind the risk of tipping.  
Always check the positioning of the anti-tips.



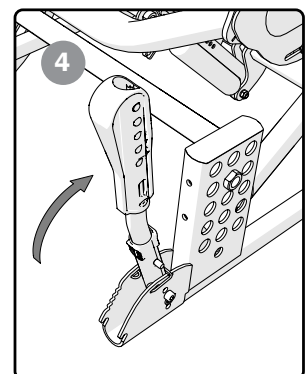
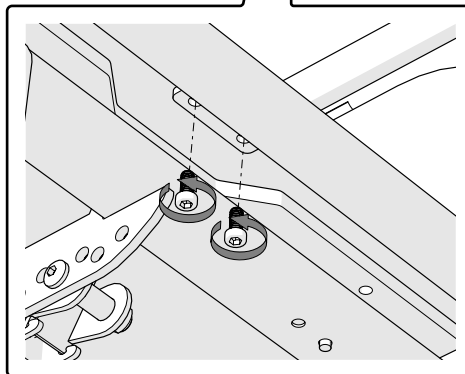
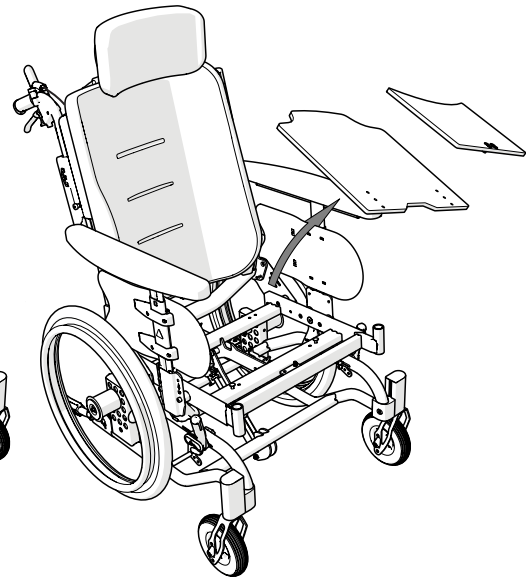
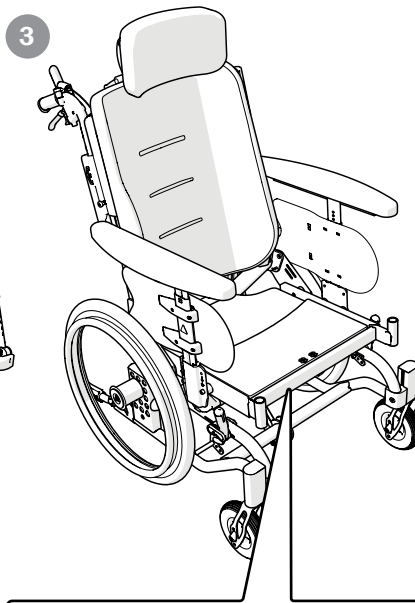
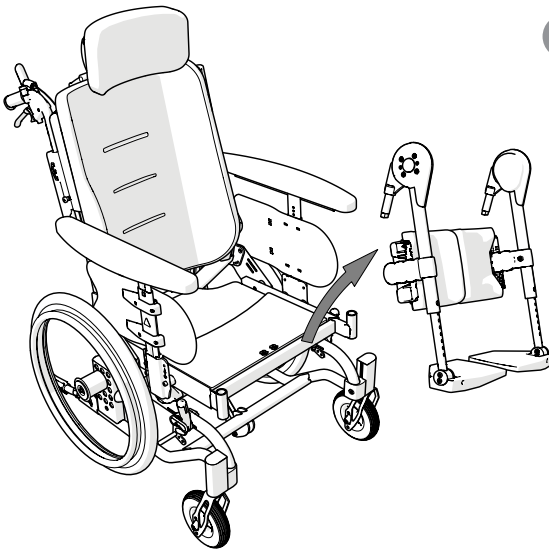
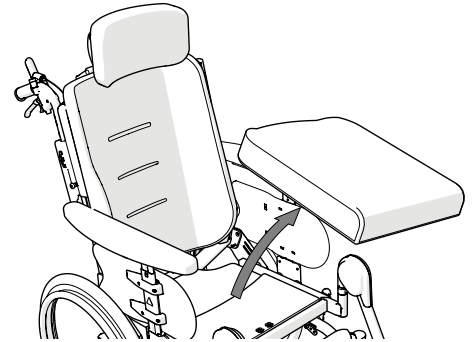
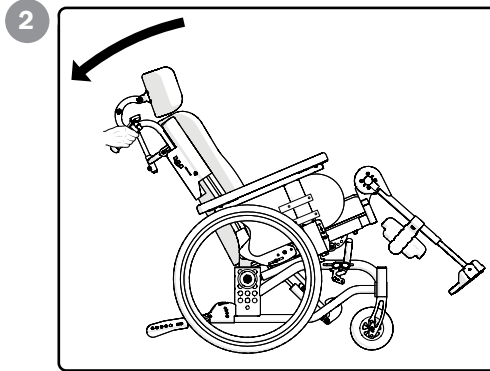
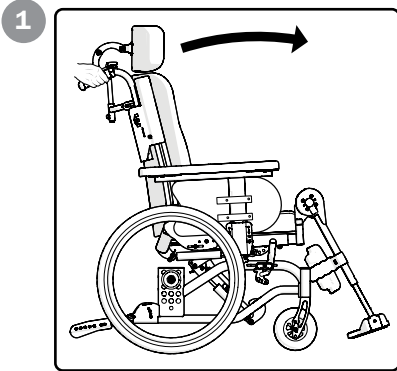
Remember that the wheel positions might also need to be re-adjusted to achieve correct balance in the chair.



13 mm



5 mm





## 14. Advanced settings, adjustments

5. Remove the rear wheels (not 16"). Remove one arm support and lock the back support angle using a screw driver, an Allen key or similar (later adjust the back support angle to align correctly with the hole).
6. Lie the chair down on its "back". Loosen the screw next to the gas piston's front attachment.
7. Loosen the screws on the side plates by approx. 1-2 turns. Loosen and remove the screws which hold the side plates in place. Support the back chassis while the screws are loosened. This will prevent the gas piston being damaged. Reposition to the required seat depth, insert and tighten the screws (see illustrations in section "Screw positions for rear seat depth").



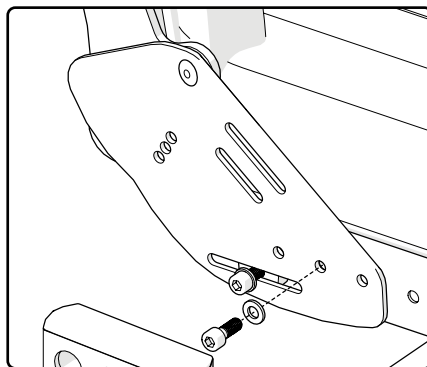
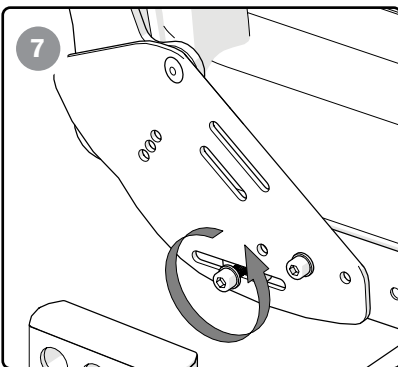
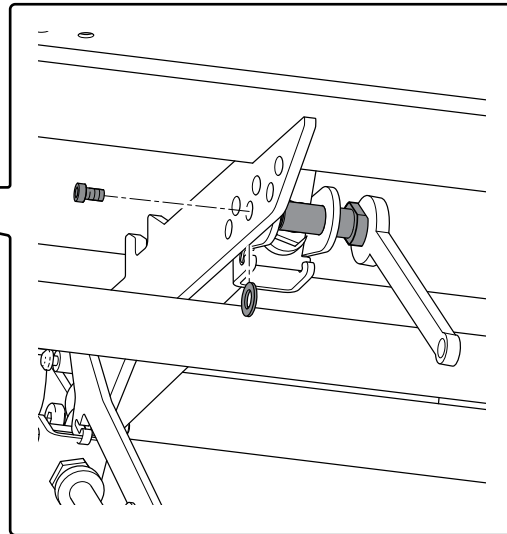
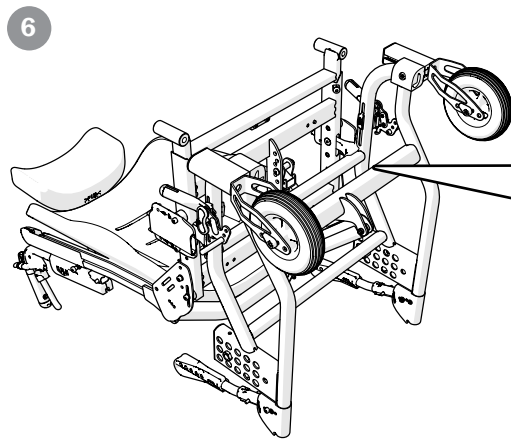
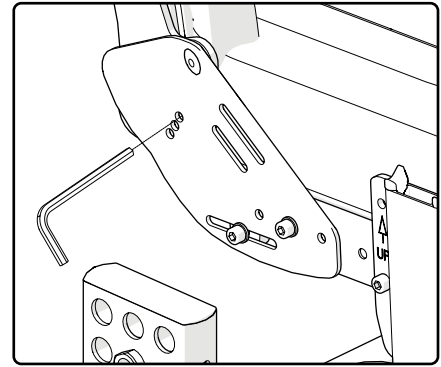
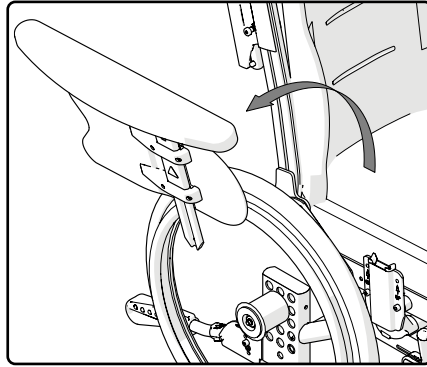
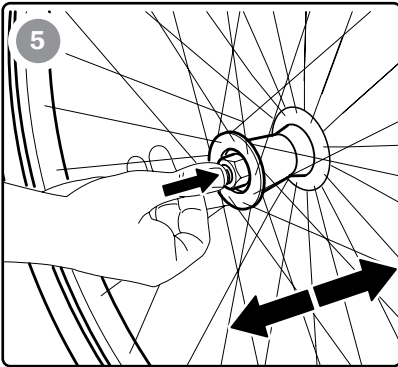
Bear in mind the risk of tipping.  
Always check the positioning of the anti-tips.



13 mm



5 mm



## 14. Advanced settings, adjustments

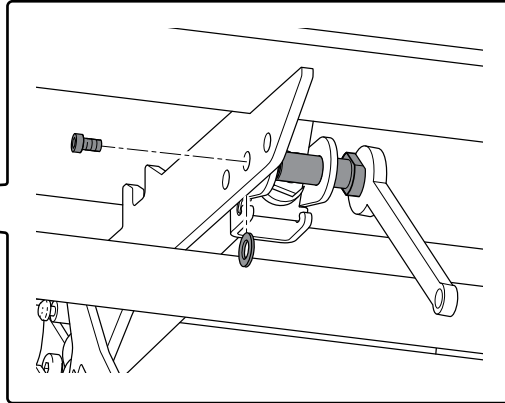
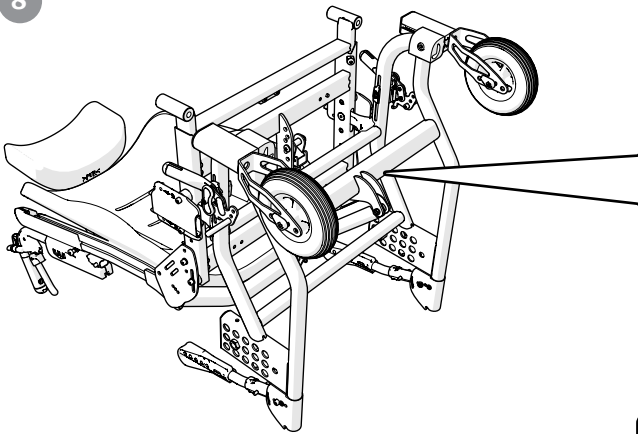
8. Secure the gas spring in accordance with the illustrations in section "Screw positions for rear seat depth". Do not forget the washer in between. NB! If fitted into the wrong hole, the back support adjustment will not function correctly.
9. Raise the chair up and remove the Allen key used to lock the back support angle.
10. Fit the seat plates in accordance with the illustrations in section "Screw positions for rear seat depth". Start with the rear seat plate.

11. Fit rear wheels, arm support and seat cushion.
12. Engage the anti-tips and check the seat and back angling function.

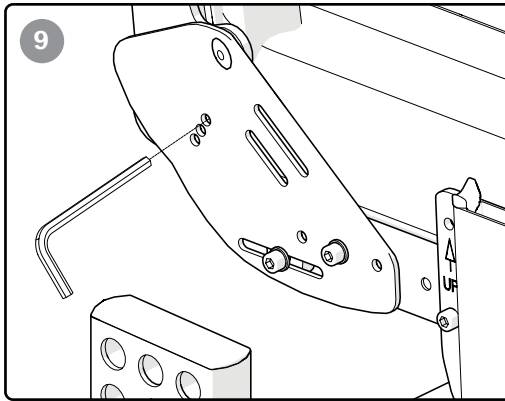


Bear in mind the risk of tipping.  
Always check the positioning of the anti-tips.

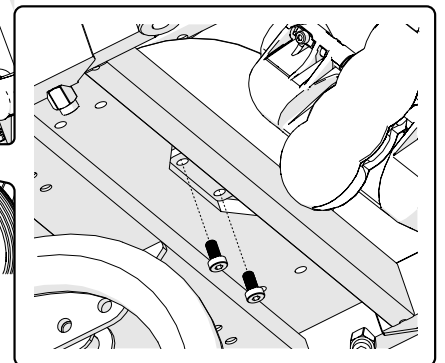
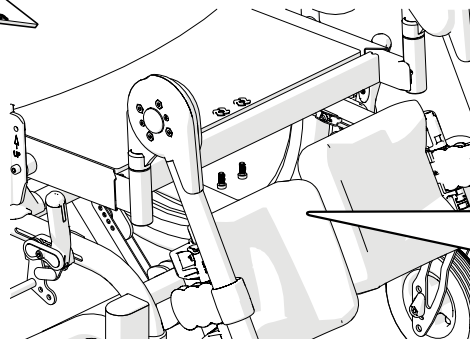
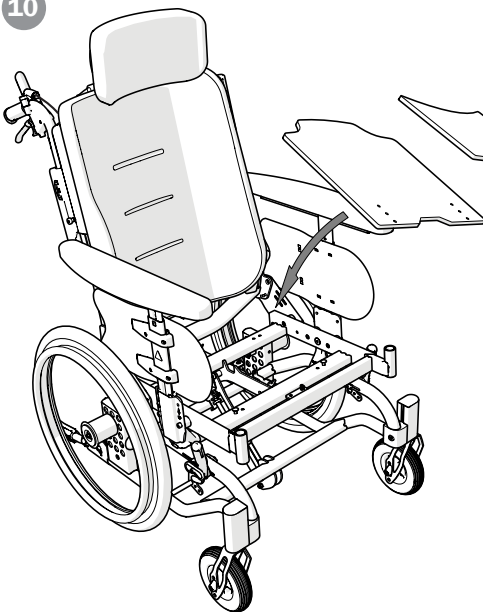
8



9



10

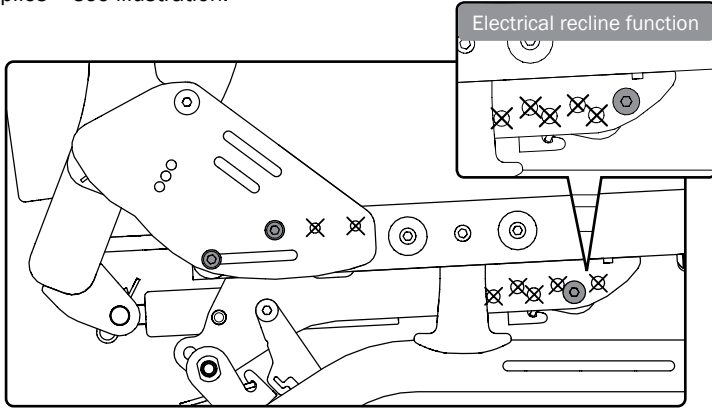


# 14. Advanced settings, adjustments

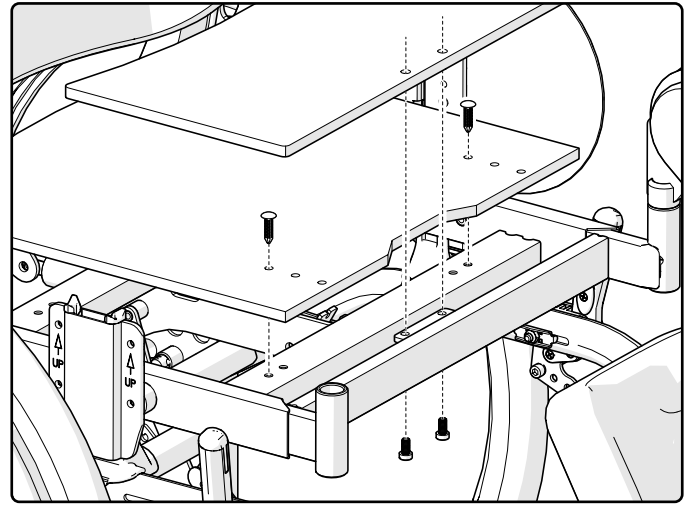
## Screw positions for rear seat depth

### Short seat depth 39-46 cm

Screw positions for side frame/gas piston attachment. NB For a chair equipped with electrical recline function, the above hole pattern applies – see illustration.

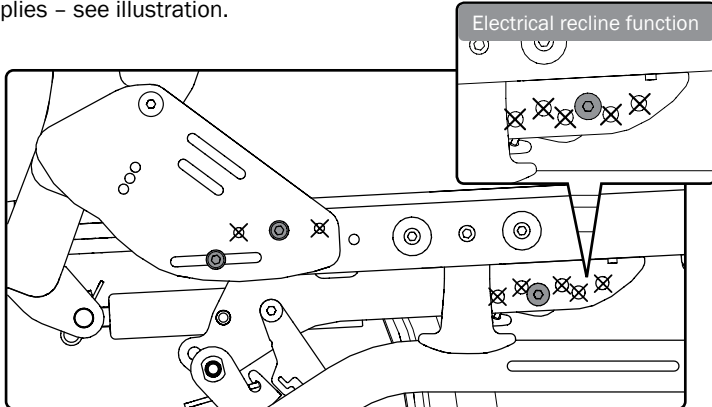


### Screw positions seat board

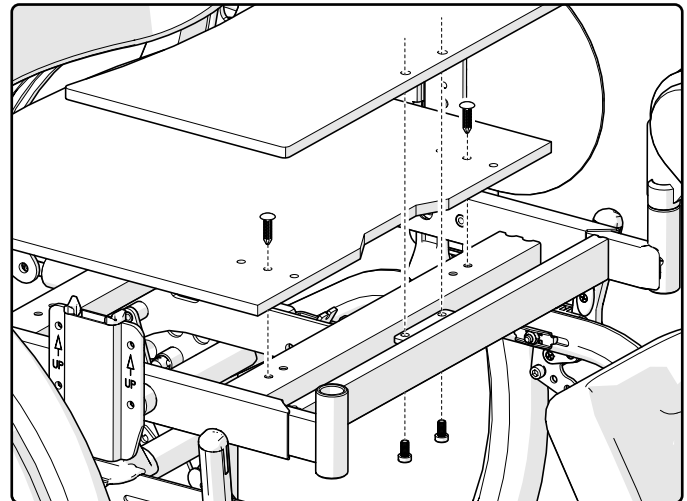


### Medium seat depth 41.5-48.5 cm

Screw positions for side frame/gas piston attachment. NB For a chair equipped with electrical recline function, the above hole pattern applies – see illustration.

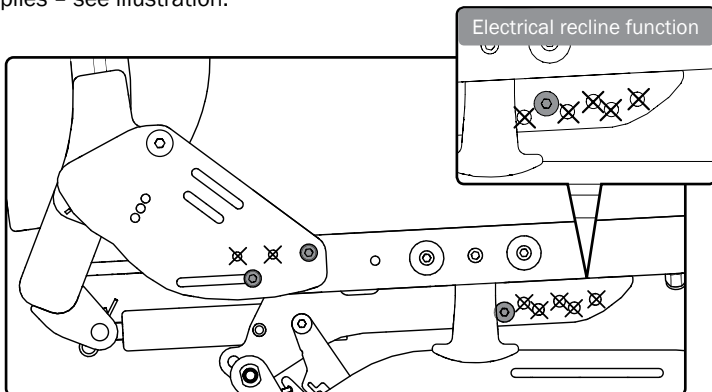


### Screw positions seat board

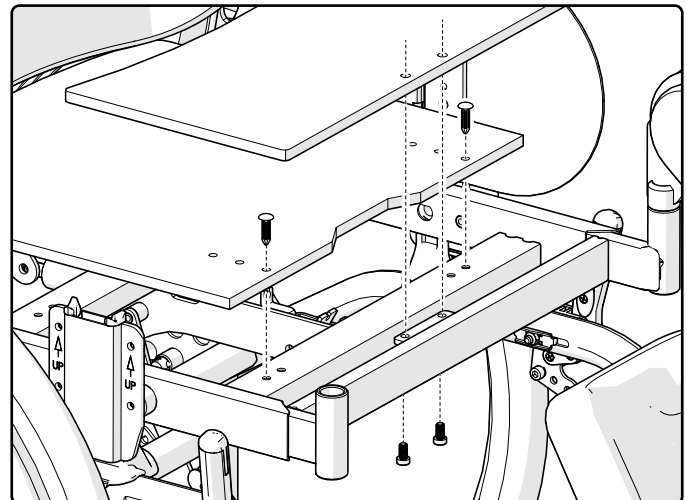


### Long seat depth 44-51 cm

Screw positions for side frame/gas piston attachment. NB For a chair equipped with electrical recline function, the above hole pattern applies – see illustration.



### Screw positions seat board



## 14. Advanced settings, adjustments

### Adjustment of comfort lock

1. Undo screw and nut.
2. Adjust the seat angle for the comfort lock by moving and securing the ball bearing bushing. The different angle options are marked on the plate.



Bear in mind the risk of tipping.  
Always check the positioning of the anti-tips.



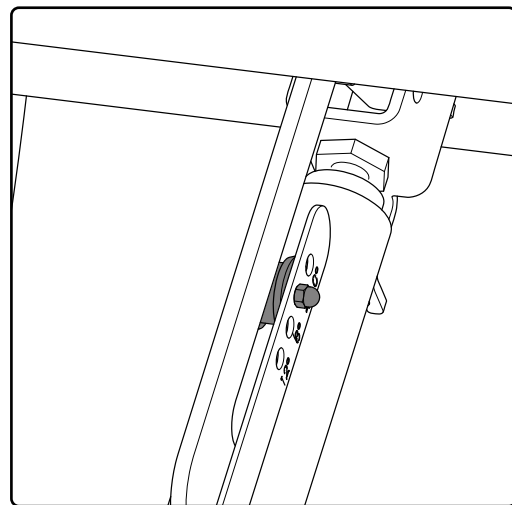
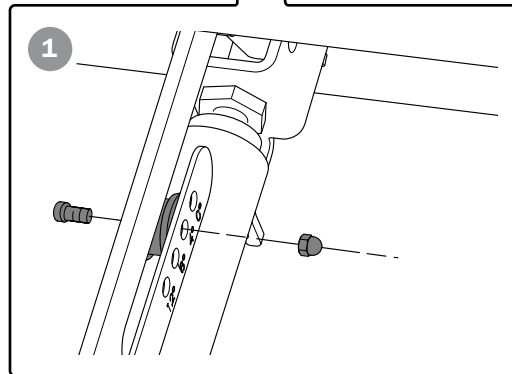
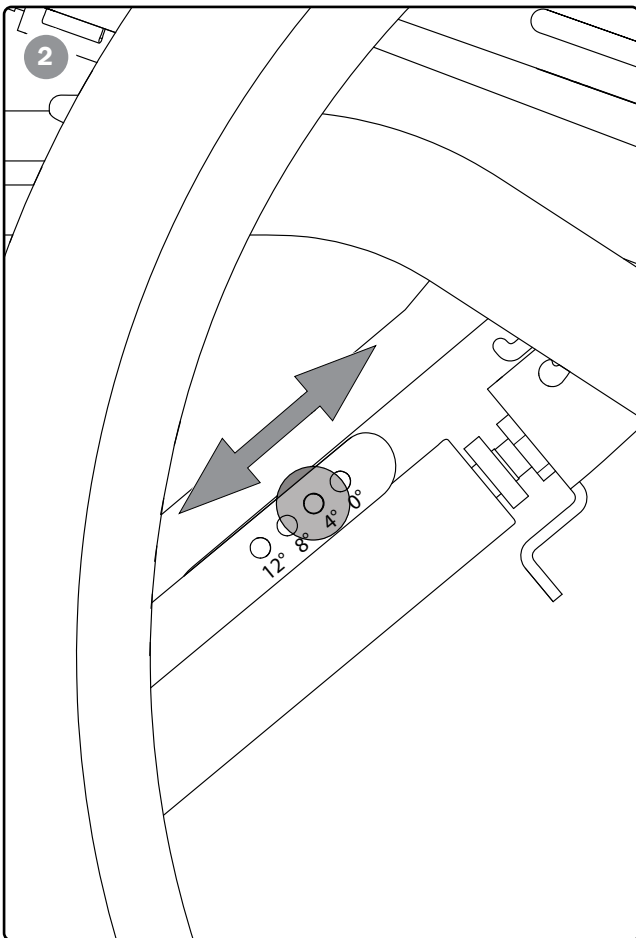
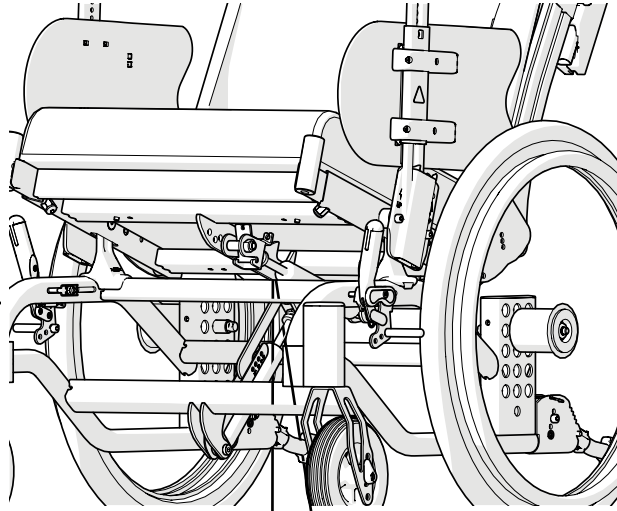
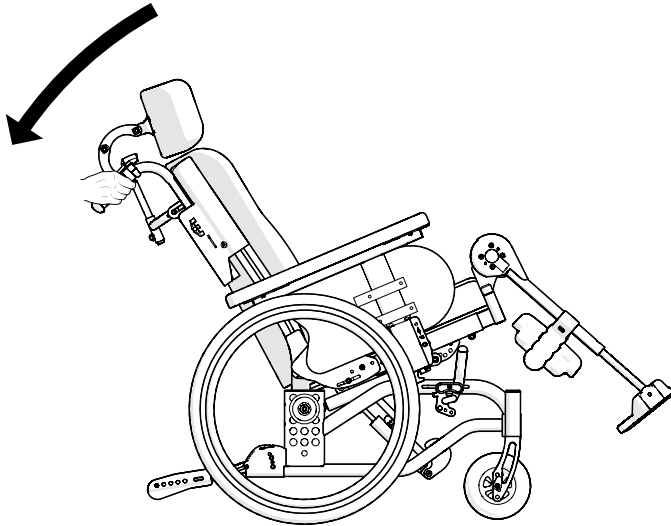
2 Nm



4 mm

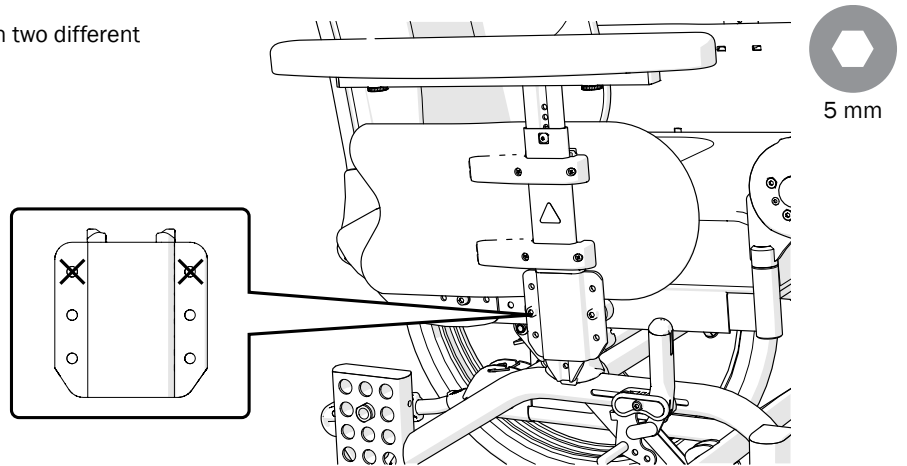


8 mm



## 15. Settings, readjustments

**The arm support attachment** can be mounted in two different heights.

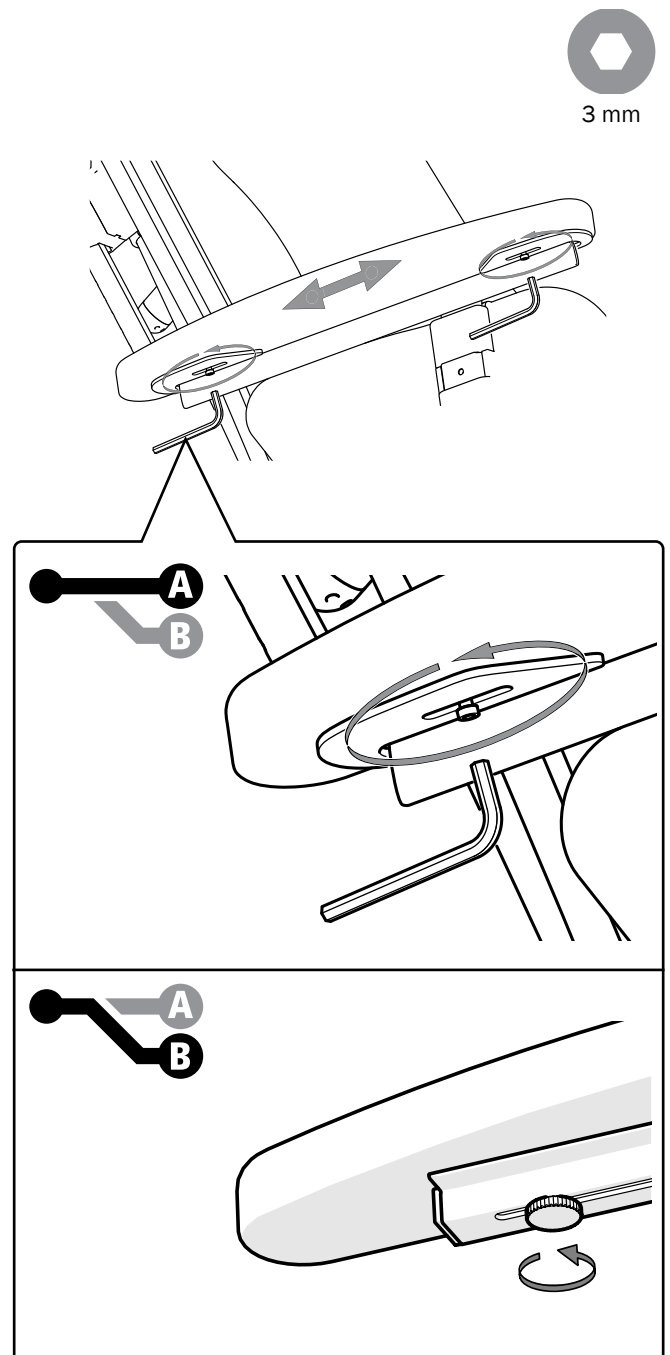
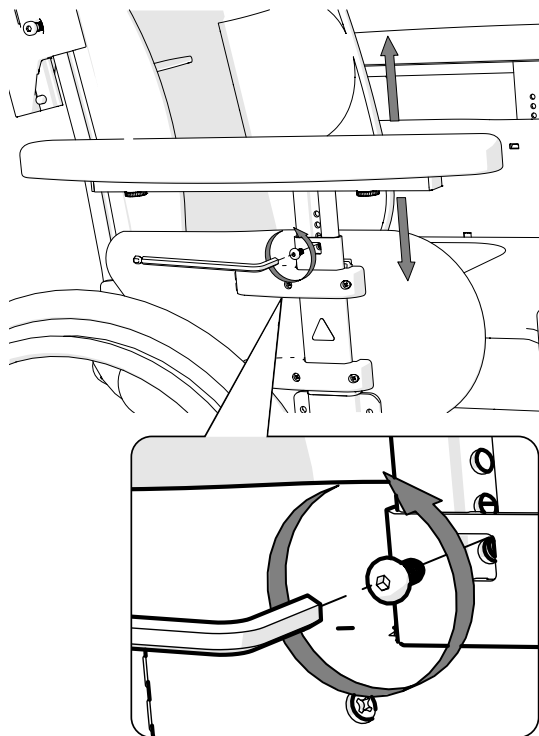


**The arm support** is settable in height and depth.

- Loosen the screw on the outside of the arm support to set the height
- Loosen the screws under the arm support plate to adjust the depth.



Do not lift the chair by the arm supports



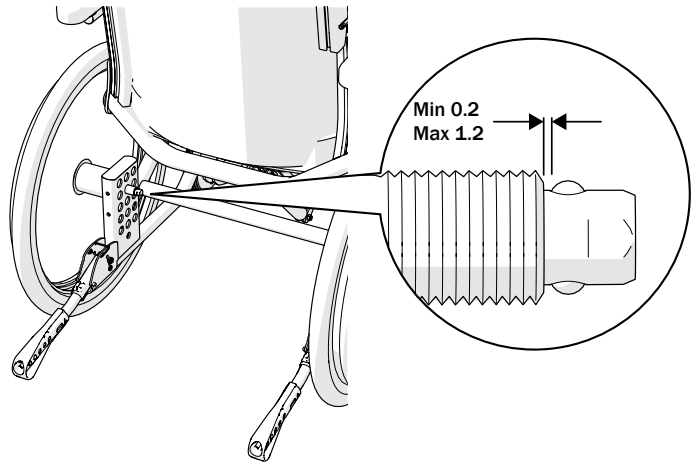
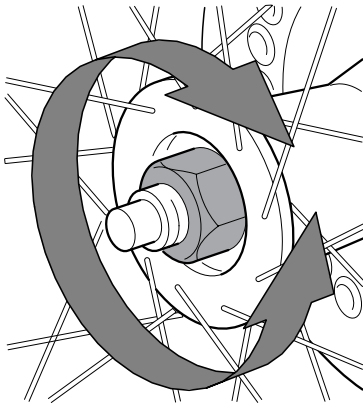
## 15. Settings, readjustments

### Rear wheel with quick-release

The distance between the hub sleeve and the locking balls can be adjusted by adjusting the nut on the outside of the hub. The distance between the hub sleeve and the locking balls should be 0.2 to 1.2 mm.



During installation, check that the rear wheel is securely mounted. The button in the hub should pop out to the original position. Test by pulling the wheel.



### Brake adjustment

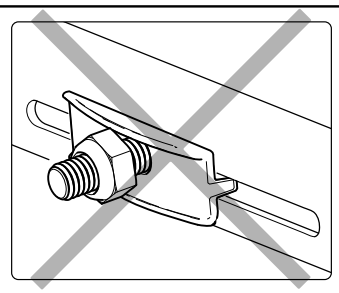
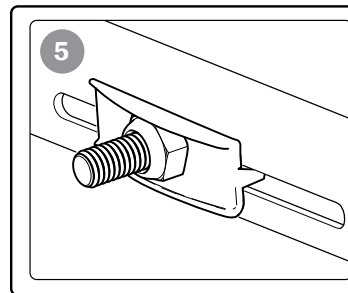
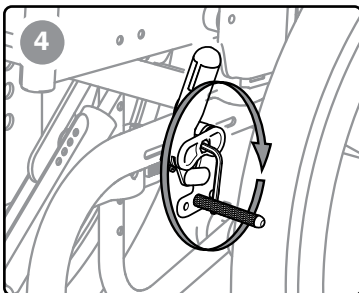
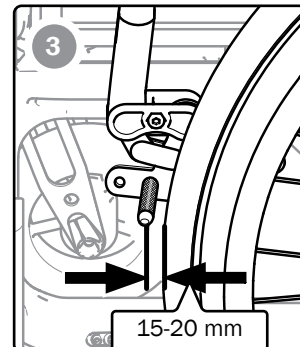
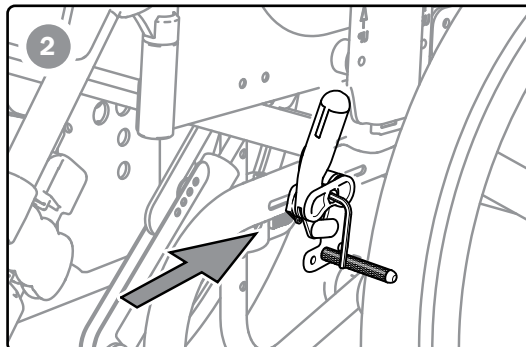
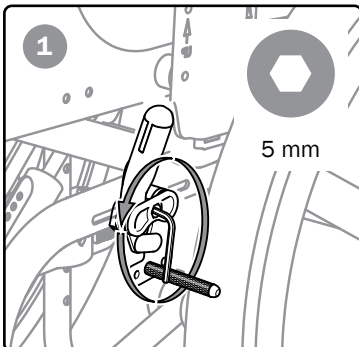
The brakes are variably settable

1. Loosen the screw a few turns.
2. Adjust the brake position
3. The brake block must be approximately 15-20 mm from the tyre when the brake is not being applied.

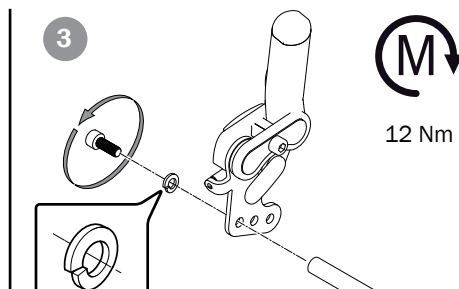
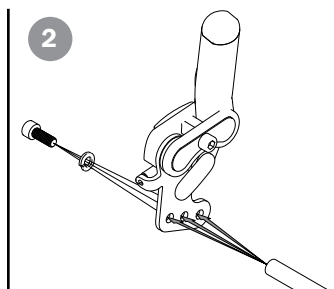
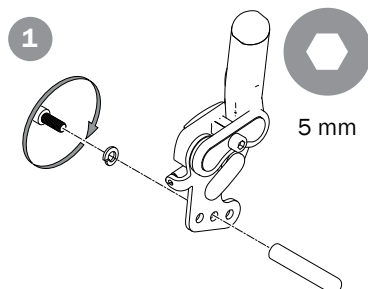
4. Ensure that the brake is positioned straight in the track. Tighten the nut with approximately 5 Nm. Test the brakes!
5. Make sure that the nut is positioned correctly and locks into the nut pocket on the inside.



The brakes are parking brakes and must not be used as motion brakes.



### Brake lever adjustment

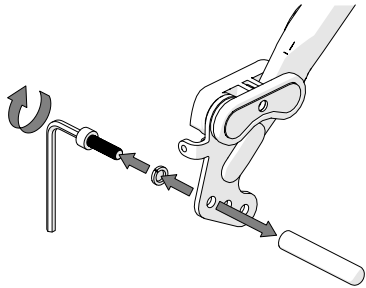


## 15. Settings, readjustments

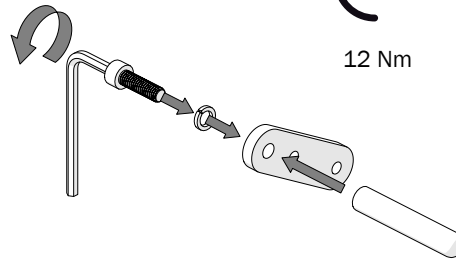
### Brake, mounting and adjusting brake adapter

Brake adapter is required for the user brake to work with 16", 20" and 22" rear wheels (certain positions, see section "Adjustment of the centre of balance").

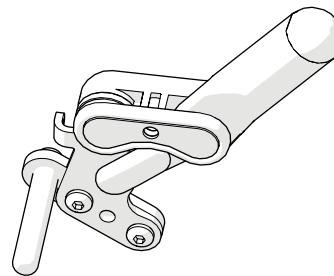
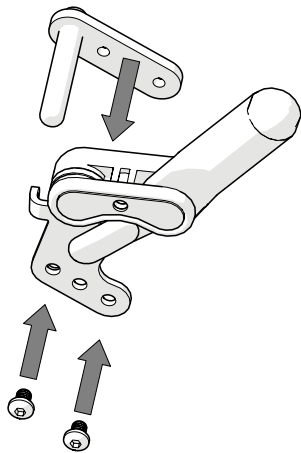
See also section "Brake, adjustment".



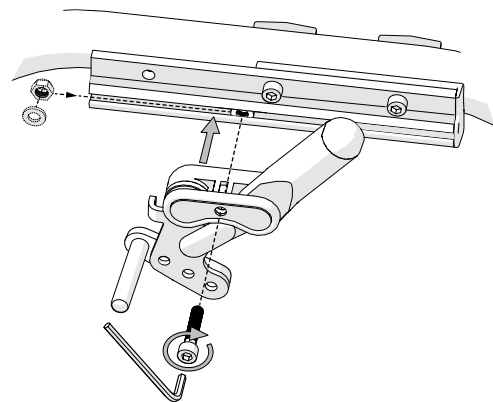
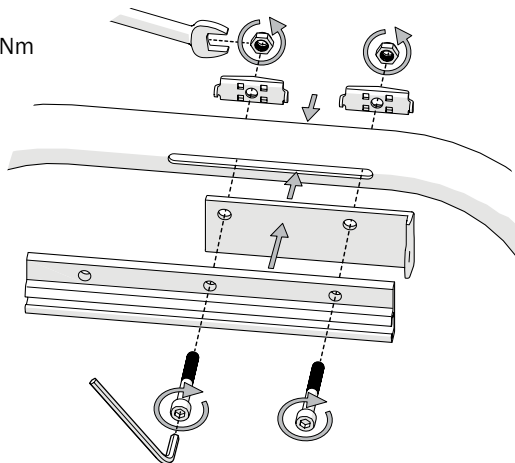
12 Nm



12 Nm



12 Nm



## 15. Settings, readjustments

### Adjustment of the centre of balance

The centre of balance is adjusted by changing the position of the rear wheels.

When the position of the rear wheels is moved forwards the wheel-chair becomes much more manoeuvrable, but the tendency to tip backwards increases.

- Move the hub sleeves/rear wheels forward or backward (pos 1, 2, 3). See section "Changing the rear wheel position".

- Adjust the user brake, see Section "Brake, adjustment".

There are restrictions, see illustration.

**X** = inadequate user brake function

**⊙** = brake adapter required, see section "Brake, mounting and adjusting brake adapter"



Bear in mind the risk of tipping. Always check the positioning of the anti-tips.



Ensure that rear wheels with quick release hubs are mounted securely.



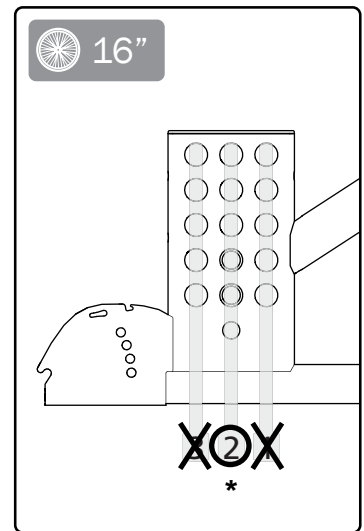
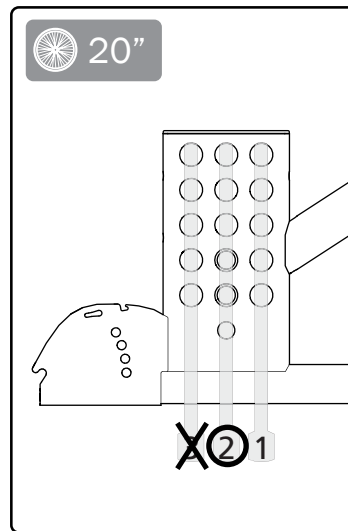
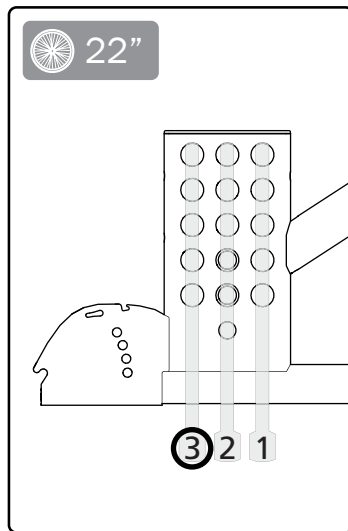
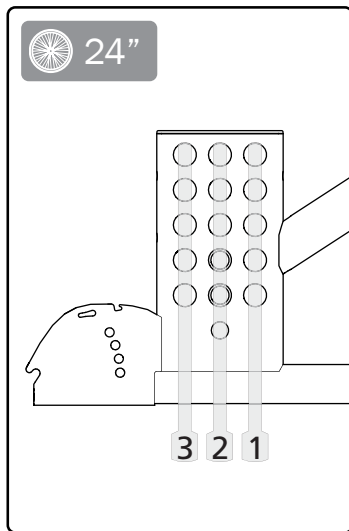
The centre of balance is also altered when the seat and/or back support angle are adjusted.



24 mm



17 mm



\* Not with seat height adaptor for seat height 51.5 cm

### Amputee leg support



Never sit on the amputee leg support.



Don't lift the chair by the leg supports.

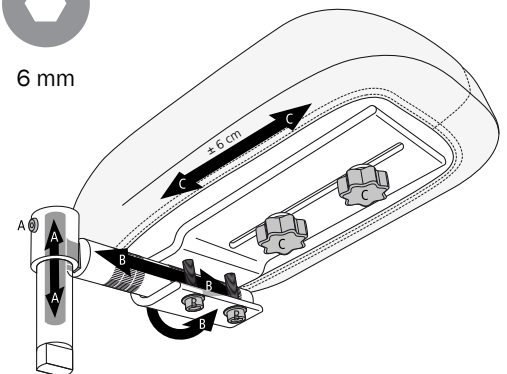
The amputee leg support is height, depth, angle and sideways-settable.



4 mm



6 mm





# 15. Settings, readjustments

## Elevating leg support with calf support

The calf support is height and depth-settable.

1. Loosen the screw, adjust the height of the calf support and tighten.
2. Loosen the screw that keeps the calf support in place.
3. Remove the screw and select the depth.
4. Insert the screw and tighten slightly. The calf plate should be movable so that it follows the contours of the calf.



Never stand on the footplates as there is a risk of tipping!



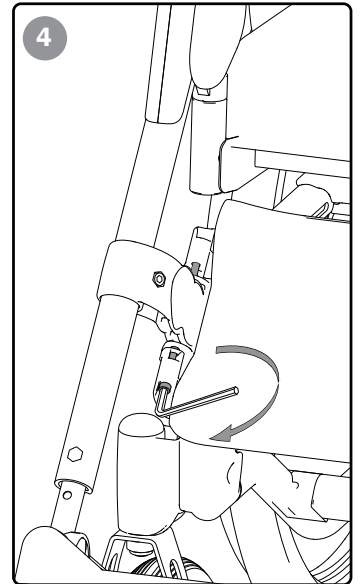
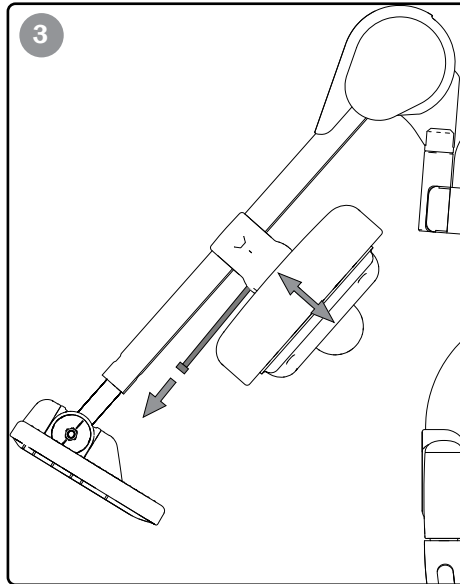
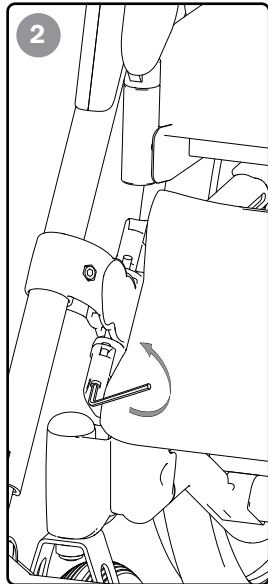
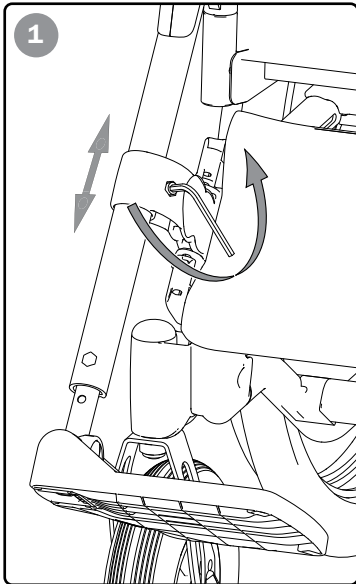
Don't lift the chair by the leg supports.



Always make sure that the screw and footplate knob are installed even if the footplate is not used.



5 mm



## Anti-tips

The anti-tips are foldable, turnable and height-settable.



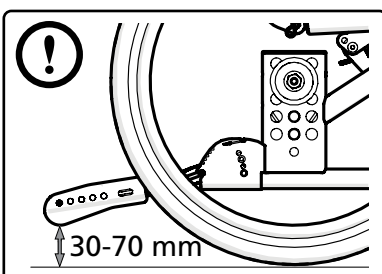
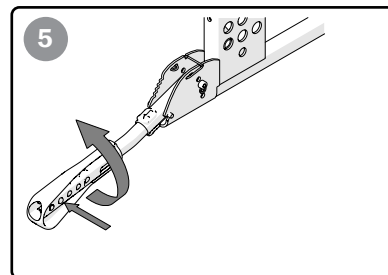
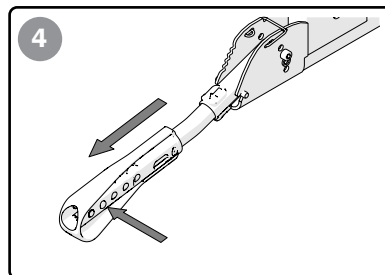
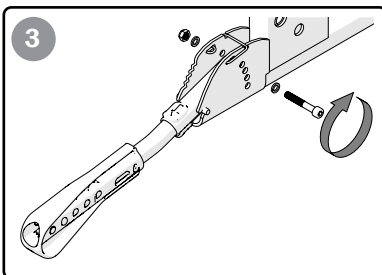
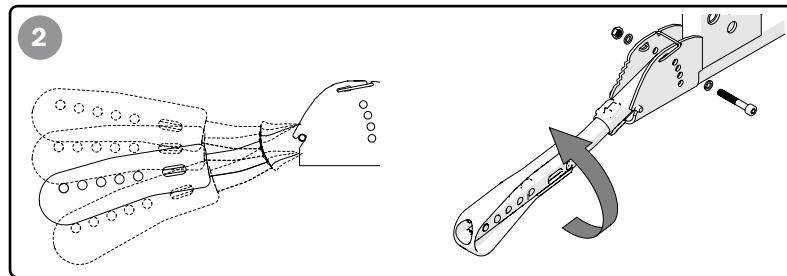
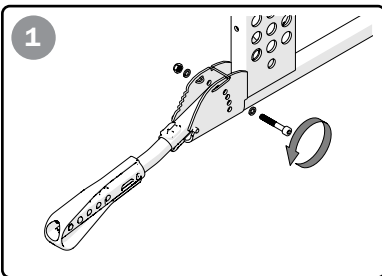
Bear in mind the risk of tipping. Always check the positioning of the anti-tips.



5 mm



2 Nm



## 16. Accessories - adjustments, handling

Assembly instructions are always provided with accessories when they are supplied by Etac.

Instructions are also available on our website [www.etac.com](http://www.etac.com)

### Positioning belt

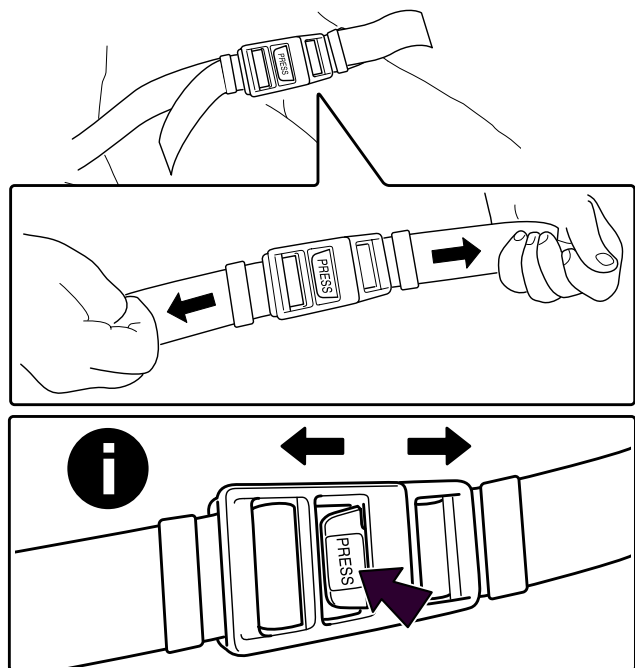
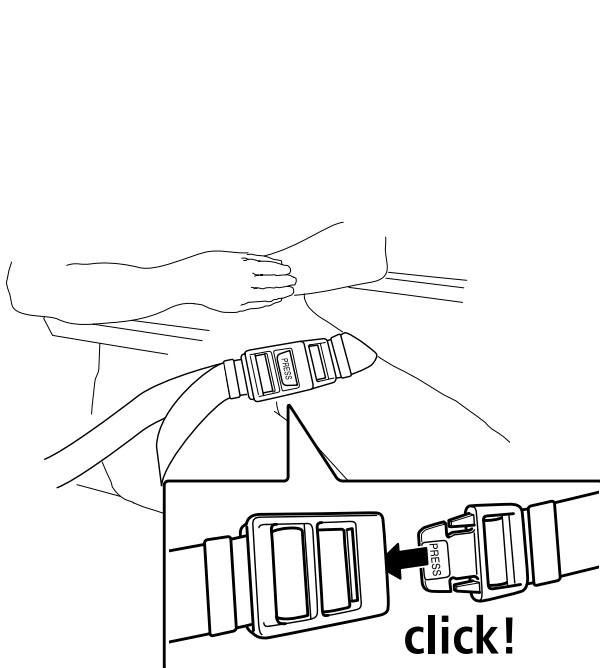
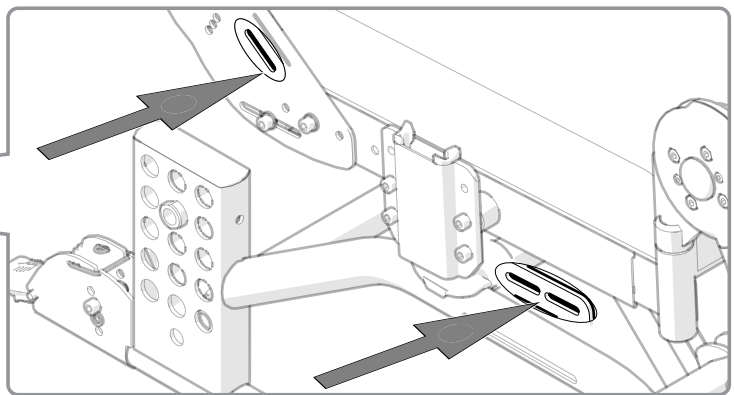
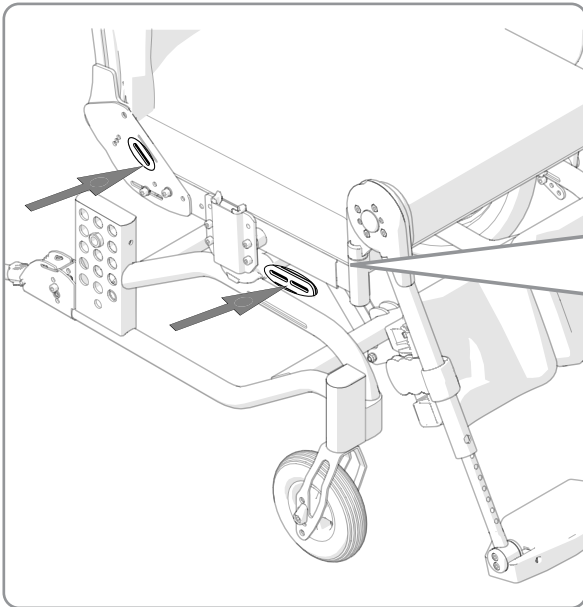
The positioning belt is in two parts, length-adjustable and equipped with a snap lock. It is installed in the front part of the lower track in the back support plate or in a separate attachment (accessory).



Ensure that the user does not slide forwards in the seat as this can lead to the belt impairing the supply of blood to the hip/waist area.



4 mm





Etac Sverige AB  
Box 203  
334 24 Anderstorp  
Sweden

Tel 0371-58 73 00  
Fax 0371-58 73 90  
info@etac.se  
www.etac.se

Etac R82 GmbH  
Industriestraße 13  
45699 Herten  
Germany

Tel 02366-5006-0  
Fax 02366-5006-200  
info@etac.de  
www.etac.de

Etac AB (export)  
Box 203  
334 24 Anderstorp  
Sweden

Tel 46 371-58 73 30  
Fax 46 371-58 73 90  
info@etac.se  
www.etac.com

Etac R82 B.V.  
Tinweg 8  
8445 PD Heerenveen,  
Nederland

Tel +31 72 547 04 39  
info.holland@etac.com  
www.etac.com

Etac AS  
Pb 249,  
1501 Moss,  
Norway

Tel 815 69 469  
Fax 69 27 09 11  
hovedkontor.norge@etac.com  
www.etac.no

Etac Ltd.  
Unit D4A, Coombswood Business  
Park East  
Coombswood Way, Halesowen  
West Midlands B62 8BH  
United Kingdom

Tel 0121 561 2222  
Fax 0121 559 5437  
enquiries@etac.uk.r82.com  
www.etac.com

Etac A/S  
Egeskovvej 12  
8700 Horsens  
Denmark

Tel 79 68 58 33  
Fax 75 68 58 40  
info@etac.dk  
www.etac.dk

R82, Inc.  
12801 E. Independence Boulevard  
P.O. Box 1739  
Matthews, NC 28106, USA

Tel 800 336 7684  
Fax 704 882 0751  
Information@snugseat.com  
www.etac.com



Etac Supply Center AB  
Långgatan 12  
SE-334 33 Anderstorp



 etac®