

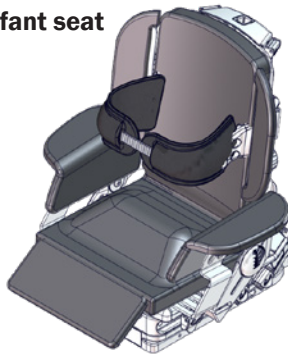
x:panda shape

Exploded views / Part lists

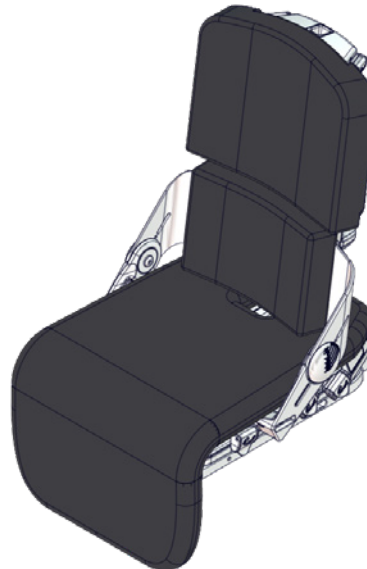
Rev. date (2024.04)

On the following pages you will find the parts used to assemble this product. Please note that some spare parts cannot be purchased individually but are part of a complete kit. Please also note that for some spare parts extra delivery time may occur.

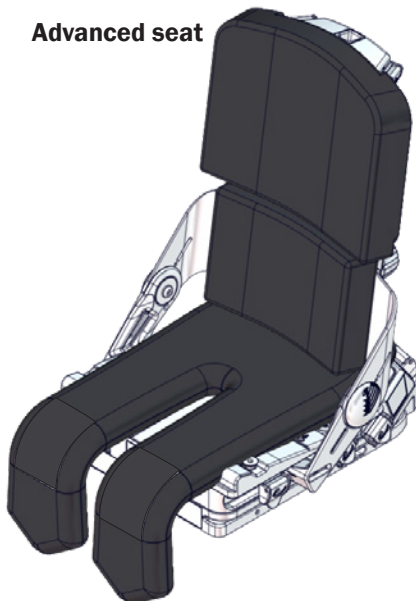
Infant seat



Simple seat



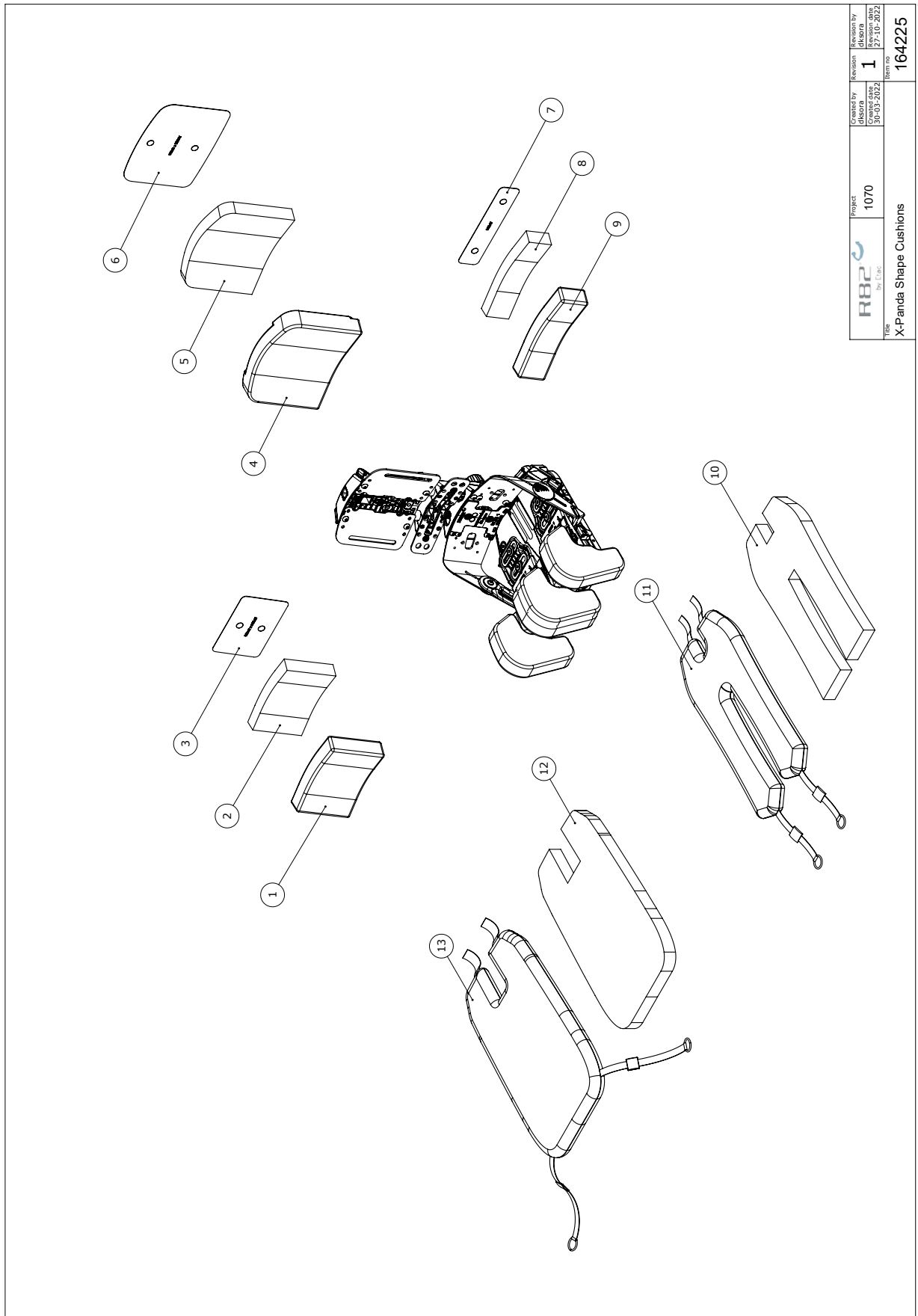
Advanced seat



Contents

Contents	2
x:panda shape Cushions	3
Item numbers for x:panda shape Cushions	4
Simple seating size 1.....	13
Item numbers for Simple seating size 1.....	14
Simple seating size 2.....	15
Item numbers for Simple seating size 2.....	16
Simple seating size 3.....	17
Item numbers for Simple seating size 3.....	18
Advanced seating size 1.....	19
Item numbers for Advanced seating size 1.....	20
Advanced seating size 2.....	22
Item numbers for Advanced seating size 2.....	23
Advanced seating size 3.....	25
Item numbers for Advanced seating size 3.....	26
Infant kit.....	28
Item numbers for Infant kit.....	29
Accessories.....	30
Item numbers for x:panda shape accessories	31
Head support assembly	32
Item numbers for Head support assembly	33
Arm supports size 4, incl. cover	34
Item numbers for Arm supports size 4, incl. cover (905016-70, 905016-80).....	35
Arm supports size 4, excl. cover.....	36
Item numbers for Arm supports size 4, excl. cover (905016-00).....	37
Arm supports size 1, 2 & 3 incl. cover.....	38
Item numbers for Arm supports size 4, incl. cover (905013-70, 905013-80, 905014-70, 905014-80, 905015-70, 905015-80) 39	
Arm supports size 1, 2 & 3, excl. cover	40
Item numbers for Arm supports size 1, 2 & 3, excl. cover (8910615-1/8910616-1/8910617-1).....	41
Floor Frame	42
Item numbers for Floor Frame (821111)	43
Floor Frame accessories.....	44
Item numbers for Floor Frame accessories.....	45

x:panda shape Cushions



	Project	1070	Created by	dklara	Revision	1	Created date	30-03-2022	Revised by	dklara	Revision date	27-10-2022
	Part No. 164225											

X-Panda Shape Cushions

C:\PDP\Projects\1070\Top_Askem\164225

Item numbers for x:panda shape Cushions

Position	No.	Description	Color	Quantity	Unit of Measure	Ean code
1	0604040	Insex screw 10x40		PCS	1	5707292921499
1	0603600	Insex screw 8x55		PCS	1	5707292138262
1*	154012-50	Cover lower back cush 220x120	Color Red	PCS	1	5707292969729
	154012-60	Cover lower back cush 220x120	Color grey	PCS	1	5707292940001
	154012-70	Cover lower back cush 220x120	Incontinense cover	PCS	1	5707292940018
	154013-50	Cover lower back cush 260x120	Color Red	PCS	1	5707292969736
	154013-60	Cover lower back cush 260x120	Color grey	PCS	1	5707292940049
	154013-70	Cover lower back cush 260x120	Incontinense cover	PCS	1	5707292940056
	155332-50	Cover lower back cush 360x140	Color red	PCS	1	5707292940797
	154014-60	Cover lower back cush 300x120	Color grey	PCS	1	5707292940087
	154014-70	Cover lower back cush 300x120	Incontinense cover	PCS	1	5707292940094
	154014-50	Cover lower back cush 300x120	Color Red	PCS	1	5707292969743
	155330-50	Cover lower back cush 280x140	Color red	PCS	1	5707292940131
	155330-60	Cover lower back cush 280x140	Color grey	PCS	1	5707292940148
	155330-70	Cover lower back cush 280x140	Incontinense cover	PCS	1	5707292940155
	155331-50	Cover lower back cush 320x140	Color red	PCS	1	5707292940742
	155331-60	Cover lower back cush 320x140	Color grey	PCS	1	5707292940759
	155331-70	Cover lower back cush 320x140	Incontinense cover	PCS	1	5707292940766
	155334-60	Cover lower back cush 380x170	Color grey	PCS	1	5707292940896
	155332-60	Cover lower back cush 360x140	Color grey	PCS	1	5707292940803
	155332-70	Cover lower back cush 360x140	Incontinense cover	PCS	1	5707292940810
	155333-60	Cover lower back cush 400x140	Color grey	PCS	1	5707292940858
	155333-50	Cover lower back cush 400x140	Color red	PCS	1	5707292940841
	155333-70	Cover lower back cush 400x140	Incontinense cover	PCS	1	5707292940865
	155334-50	Cover lower back cush 380x170	Color Red	PCS	1	5707292969750
	155334-70	Cover lower back cush 380x170	Incontinense cover	PCS	1	5707292940902
	155335-50	Cover lower back cush 420x170	Color red	PCS	1	5707292969767
	155337-70	Cover lower back cush 500x170	Incontinense cover	PCS	1	5707292941022
	155335-60	Cover lower back cush 420x170	Color grey	PCS	1	5707292940933
	155335-70	Cover lower back cush 420x170	Incontinense cover	PCS	1	5707292940940
	155336-50	Cover lower back cush 460x170	Color red	PCS	1	5707292969774
	155336-60	Cover lower back cush 460x170	Color grey	PCS	1	5707292940971
	155336-70	Cover lower back cush 460x170	Incontinense cover	PCS	1	5707292940988
	155337-50	Cover lower back cush 500x170	Color red	PCS	1	5707292969781
	155337-60	Cover lower back cush 500x170	Color grey	PCS	1	5707292941015
	154013-60	Cover lower back cush 260x120	Color grey	PCS	1	5707292940049
	154012-60	Cover lower back cush 220x120	Color grey	PCS	1	5707292940001
	154012-70	Cover lower back cush 220x120	Incontinense cover	PCS	1	5707292940018
	154013-70	Cover lower back cush 260x120	Incontinense cover	PCS	1	5707292940056
	155332-60	Cover lower back cush 360x140	Color grey	PCS	1	5707292940803
	155332-50	Cover lower back cush 360x140	Color red	PCS	1	5707292940797
	154014-70	Cover lower back cush 300x120	Incontinense cover	PCS	1	5707292940094
	154014-60	Cover lower back cush 300x120	Color grey	PCS	1	5707292940087
	155330-50	Cover lower back cush 280x140	Color red	PCS	1	5707292940131
	155330-60	Cover lower back cush 280x140	Color grey	PCS	1	5707292940148
	155330-70	Cover lower back cush 280x140	Incontinense cover	PCS	1	5707292940155
	155331-50	Cover lower back cush 320x140	Color red	PCS	1	5707292940742
	155331-60	Cover lower back cush 320x140	Color grey	PCS	1	5707292940759

*choose color/size

Position	No.	Description	Color	Quantity	Unit of Measure	Ean code
1*	155331-70	Cover lower back cush 320x140	Incontinense cover	PCS	1	5707292940766
	155334-60	Cover lower back cush 380x170	Color grey	PCS	1	5707292940896
	155336-70	Cover lower back cush 460x170	Incontinense cover	PCS	1	5707292940988
	155335-60	Cover lower back cush 420x170	Color grey	PCS	1	5707292940933
	155334-70	Cover lower back cush 380x170	Incontinense cover	PCS	1	5707292940902
	155335-70	Cover lower back cush 420x170	Incontinense cover	PCS	1	5707292940940
	155333-50	Cover lower back cush 400x140	Color red	PCS	1	5707292940841
	155333-70	Cover lower back cush 400x140	Incontinense cover	PCS	1	5707292940865
	155333-60	Cover lower back cush 400x140	Color grey	PCS	1	5707292940858
	155336-60	Cover lower back cush 460x170	Color grey	PCS	1	5707292940971
	155332-70	Cover lower back cush 360x140	Incontinense cover	PCS	1	5707292940810
	155335-70	Cover lower back cush 420x170	Incontinense cover	PCS	1	5707292940940
	155335-60	Cover lower back cush 420x170	Color grey	PCS	1	5707292940933
	155333-50	Cover lower back cush 400x140	Color red	PCS	1	5707292940841
	155333-60	Cover lower back cush 400x140	Color grey	PCS	1	5707292940858
	155333-70	Cover lower back cush 400x140	Incontinense cover	PCS	1	5707292940865
	155334-60	Cover lower back cush 380x170	Color grey	PCS	1	5707292940896
	155334-70	Cover lower back cush 380x170	Incontinense cover	PCS	1	5707292940902
	155336-70	Cover lower back cush 460x170	Incontinense cover	PCS	1	5707292940988
	155336-60	Cover lower back cush 460x170	Color grey	PCS	1	5707292940971
155337-60	Cover lower back cush 500x170	Color grey	PCS	1	5707292941015	
155337-70	Cover lower back cush 500x170	Incontinense cover	PCS	1	5707292941022	
2*	159238	Foam lowbackcush 220x120	assy.	PCS	1	5707292939760
	159240	Foam lowbackcush 300x120	assy.	PCS	1	5707292939784
	159241	Foam lowbackcush 280x140	assy.	PCS	1	5707292939791
	159240	Foam lowbackcush 300x120	assy.	PCS	1	5707292939784
	159242	Foam lowbackcush 320x140	assy.	PCS	1	5707292939807
	159243	Foam lowbackcush 360x140	assy.	PCS	1	5707292939814
	159245	Foam lowbackcush 380x170	assy.	PCS	1	5707292939838
	159246	Foam lowbackcush 420x170	assy.	PCS	1	5707292939845
	159244	Foam lowbackcush 400x140	assy.	PCS	1	5707292939821
	159248	Foam lowbackcush 500x170	assy.	PCS	1	5707292939869
	159247	Foam lowbackcush 460x170	assy.	PCS	1	5707292939852
	159239	Foam lowbackcush 260x120	assy.	PCS	1	5707292939777
	3*	1350000	Distancepart black 6x15x8,2 mm		PCS	2
160890		Insert ass. 220x120 Lower back		PCS	1	5707292944528
160892		Insert ass. 300x120 Lower back		PCS	1	5707292944542
160891		Insert ass. 260x120 Lower back		PCS	1	5707292944535
160901		Insert ass. 360x140 Lower back		PCS	1	5707292947802
160897		Insert ass. 280x140 Lower back		PCS	1	5707292947789
160900		Insert ass. 320x140 Lower back		PCS	1	5707292947796
160905		Insert ass. 380x170 Lower back		PCS	1	5707292947826
160907		Insert ass. 420x170 Lower back		PCS	1	5707292947833
160903		Insert ass. 400x140 Lower back		PCS	1	5707292947819
160905		Insert ass. 380x170 Lower back		PCS	1	5707292947826
160907		Insert ass. 420x170 Lower back		PCS	1	5707292947833
3*		160909	Insert ass. 500x170 Lower back		PCS	1
	160908	Insert ass. 460x170 Lower back		PCS	1	5707292947840

*choose color/size

Position	No.	Description	Color	Quantity	Unit of Measure	Ean code
4*	153835-70	Cover upper back cush 220x140	Incontinense cover	PCS	1	5707292942036
	153836-50	Cover upper back cush 180x180	Color red	PCS	1	5707292942081
	153836-60	Cover upper back cush 180x180	Color grey	PCS	1	5707292942098
	153836-70	Cover upper back cush 180x180	Incontinense cover	PCS	1	5707292942104
	153837-50	Cover upper back cush 220x180	Color red	PCS	1	5707292942159
	153837-60	Cover upper back cush 220x180	Color grey	PCS	1	5707292942166
	153837-70	Cover upper back cush 220x180	Incontinense cover	PCS	1	5707292942173
	153838-50	Cover upper back cush 260x180	Color red	PCS	1	5707292942227
	153838-60	Cover upper back cush 260x180	Color grey	PCS	1	5707292942234
	153838-70	Cover upper back cush 260x180	Incontinense cover	PCS	1	5707292942241
	153839-50	Cover upper back cush 220x220	Color red	PCS	1	5707292942296
	153839-60	Cover upper back cush 220x220	Color grey	PCS	1	5707292942302
	153839-70	Cover upper back cush 220x220	Incontinense cover	PCS	1	5707292942319
	153840-60	Cover upper back cush 260x220	Color grey	PCS	1	5707292942371
	153840-50	Cover upper back cush 260x220	Color red	PCS	1	5707292942364
	153840-70	Cover upper back cush 260x220	Incontinense cover	PCS	1	5707292942388
	153841-50	Cover upper back cush 300x220	Color red	PCS	1	5707292942432
	153841-70	Cover upper back cush 300x220	Incontinense cover	PCS	1	5707292942456
	153841-60	Cover upper back cush 300x220	Color grey	PCS	1	5707292942449
	155198-70	Cover upper back cush 300x270	Incontinense cover	PCS	1	5707292942630
	153842-50	Cover upper back cush 340x220	Color red	PCS	1	5707292942500
	153842-60	Cover upper back cush 340x220	Color grey	PCS	1	5707292942517
	153842-70	Cover upper back cush 340x220	Incontinense cover	PCS	1	5707292942524
	155197-50	Cover upper back cush 260x270	Color red	PCS	1	5707292942562
	155197-60	Cover upper back cush 260x270	Color grey	PCS	1	5707292942579
	155197-70	Cover upper back cush 260x270	Incontinense cover	PCS	1	5707292942586
	155198-50	Cover upper back cush 300x270	Color red	PCS	1	5707292942616
	155198-60	Cover upper back cush 300x270	Color grey	PCS	1	5707292942623
	155201-70	Cover upper back cush 300x340	Incontinense cover	PCS	1	5707292942784
	155201-60	Cover upper back cush 300x340	Color grey	PCS	1	5707292942777
	155199-50	Cover upper back cush 340x270	Color red	PCS	1	5707292942661
	155199-60	Cover upper back cush 340x270	Color grey	PCS	1	5707292942678
	155199-70	Cover upper back cush 340x270	Incontinense cover	PCS	1	5707292942685
	155200-50	Cover upper back cush 380x270	Color red	PCS	1	5707292942715
	155200-60	Cover upper back cush 380x270	Color grey	PCS	1	5707292942722
	155200-70	Cover upper back cush 380x270	Incontinense cover	PCS	1	5707292942739
	155201-50	Cover upper back cush 300x340	Color red	PCS	1	5707292969811
	155204-50	Cover upper back cush 420x340	Color red	PCS	1	5707292969842
	155204-70	Cover upper back cush 420x340	Incontinense cover	PCS	1	5707292942906
	155202-50	Cover upper back cush 340x340	Color red	PCS	1	5707292969828
155202-60	Cover upper back cush 340x340	Color grey	PCS	1	5707292942814	
155202-70	Cover upper back cush 340x340	Incontinense cover	PCS	1	5707292942821	
155203-30	Cover upper back cush 380x340	Coloe bordeaux	PCS	1	5707292942838	
155203-50	Cover upper back cush 380x340	Color red	PCS	1	5707292969835	
155203-60	Cover upper back cush 380x340	Color grey	PCS	1	5707292942852	
155203-70	Cover upper back cush 380x340	Incontinense cover	PCS	1	5707292942869	

*choose color/size

Position	No.	Description	Color	Quantity	Unit of Measure	Ean code
4*	155204-60	Cover upper back cush 420x340	Color grey	PCS	1	5707292942890
	153835-70	Cover upper back cush 220x140	Incontinense cover	PCS	1	5707292942036
	153834-50	Cover upper back cush 180x140	Color red	PCS	1	5707292969798
	153834-60	Cover upper back cush 180x140	Color grey	PCS	1	5707292941985
	153834-70	Cover upper back cush 180x140	Incontinense cover	PCS	1	5707292941992
	153835-50	Cover upper back cush 220x140	Color red	PCS	1	5707292969804
	153835-60	Cover upper back cush 220x140	Color grey	PCS	1	5707292942029
	153837-70	Cover upper back cush 220x180	Incontinense cover	PCS	1	5707292942173
	153837-60	Cover upper back cush 220x180	Color grey	PCS	1	5707292942166
	153836-50	Cover upper back cush 180x180	Color red	PCS	1	5707292942081
	153836-60	Cover upper back cush 180x180	Color grey	PCS	1	5707292942098
	153836-70	Cover upper back cush 180x180	Incontinense cover	PCS	1	5707292942104
	153837-50	Cover upper back cush 220x180	Color red	PCS	1	5707292942159
	153840-50	Cover upper back cush 260x220	Color red	PCS	1	5707292942364
	153838-50	Cover upper back cush 260x180	Color red	PCS	1	5707292942227
	153838-70	Cover upper back cush 260x180	Incontinense cover	PCS	1	5707292942241
	153838-60	Cover upper back cush 260x180	Color grey	PCS	1	5707292942234
	153839-50	Cover upper back cush 220x220	Color red	PCS	1	5707292942296
	153839-60	Cover upper back cush 220x220	Color grey	PCS	1	5707292942302
	153839-70	Cover upper back cush 220x220	Incontinense cover	PCS	1	5707292942319
	153842-50	Cover upper back cush 340x220	Color red	PCS	1	5707292942500
	153840-60	Cover upper back cush 260x220	Color grey	PCS	1	5707292942371
	153840-70	Cover upper back cush 260x220	Incontinense cover	PCS	1	5707292942388
	153841-60	Cover upper back cush 300x220	Color grey	PCS	1	5707292942449
	153841-70	Cover upper back cush 300x220	Incontinense cover	PCS	1	5707292942456
	153842-50	Cover upper back cush 340x220	Color red	PCS	1	5707292942500
	153842-60	Cover upper back cush 340x220	Color grey	PCS	1	5707292942517
	153840-70	Cover upper back cush 260x220	Incontinense cover	PCS	1	5707292942388
	153840-60	Cover upper back cush 260x220	Color grey	PCS	1	5707292942371
	153841-50	Cover upper back cush 300x220	Color red	PCS	1	5707292942432
	153841-60	Cover upper back cush 300x220	Color grey	PCS	1	5707292942449
	153841-70	Cover upper back cush 300x220	Incontinense cover	PCS	1	5707292942456
	153842-70	Cover upper back cush 340x220	Incontinense cover	PCS	1	5707292942524
	155197-70	Cover upper back cush 260x270	Incontinense cover	PCS	1	5707292942586
	155198-50	Cover upper back cush 300x270	Color red	PCS	1	5707292942616
	155198-60	Cover upper back cush 300x270	Color grey	PCS	1	5707292942623
	155198-70	Cover upper back cush 300x270	Incontinense cover	PCS	1	5707292942630
	155199-60	Cover upper back cush 340x270	Color grey	PCS	1	5707292942678
	155199-50	Cover upper back cush 340x270	Color red	PCS	1	5707292942661
	155199-70	Cover upper back cush 340x270	Incontinense cover	PCS	1	5707292942685
	155200-60	Cover upper back cush 380x270	Color grey	PCS	1	5707292942722
	155203-60	Cover upper back cush 380x340	Color grey	PCS	1	5707292942852
	155200-50	Cover upper back cush 380x270	Color red	PCS	1	5707292942715
	155200-70	Cover upper back cush 380x270	Incontinense cover	PCS	1	5707292942739
	155201-60	Cover upper back cush 300x340	Color grey	PCS	1	5707292942777
	155201-70	Cover upper back cush 300x340	Incontinense cover	PCS	1	5707292942784
	155202-60	Cover upper back cush 340x340	Color grey	PCS	1	5707292942814
	155202-70	Cover upper back cush 340x340	Incontinense cover	PCS	1	5707292942821

*choose color/size

Position	No.	Description	Color	Quantity	Unit of Measure	Ean code
4*	155203-30	Cover upper back cush 380x340	Coloe bordeaux	PCS	1	5707292942838
	155203-70	Cover upper back cush 380x340	Incontinense cover	PCS	1	5707292942869
	155204-60	Cover upper back cush 420x340	Color grey	PCS	1	5707292942890
	155204-70	Cover upper back cush 420x340	Incontinense cover	PCS	1	5707292942906
5*	159210	Assy Foam up backcush 220x140		PCS	1	5707292941060
	159209	Assy Foam up backcush 180x140		PCS	1	5707292941053
	159212	Assy Foam up backcush 220x180		PCS	1	5707292941084
	159214	Assy Foam up backcush 220x220		PCS	1	5707292941107
	159213	Assy Foam up backcush 260x180		PCS	1	5707292941091
	159215	Assy Foam up backcush 260x220		PCS	1	5707292941114
	159216	Assy Foam up backcush 300x220		PCS	1	5707292941121
	159217	Assy Foam up backcush 340x220		PCS	1	5707292941138
	159219	Assy Foam up backcush 300x270		PCS	1	5707292941152
	159218	Assy Foam up backcush 260x270		PCS	1	5707292941145
	159222	Assy Foam up backcush 300x340		PCS	1	5707292941183
	159220	Assy Foam up backcush 340x270		PCS	1	5707292941169
	159221	Assy Foam up backcush 380x270		PCS	1	5707292941176
	159225	Assy Foam up backcush 420x340		PCS	1	5707292941213
	159223	Assy Foam up backcush 340x340		PCS	1	5707292941190
	159224	Assy Foam up backcush 380x340		PCS	1	5707292941206
	159211	Assy Foam up backcush 180x1800		PCS	1	5707292941077
	159209	Assy Foam up backcush 180x140		PCS	1	5707292941053
	159210	Assy Foam up backcush 220x140		PCS	1	5707292941060
	159213	Assy Foam up backcush 260x180		PCS	1	5707292941091
	159214	Assy Foam up backcush 220x220		PCS	1	5707292941107
	159212	Assy Foam up backcush 220x180		PCS	1	5707292941084
	6*	160867	Insert ass. upper back 220x140		PCS	1
160868		Insert ass. upper back 180x180		PCS	1	5707292947956
160871		Insert ass. upper back 220x220		PCS	1	5707292947987
160877		Insert ass. upper back 260x220		PCS	1	5707292947994
160882		Insert ass. upper back 340x220		PCS	1	5707292948014
160878		Insert ass. upper back 260x270		PCS	1	5707292948021
160880		Insert ass. upper back 300x270		PCS	1	5707292948045
160881		Insert ass. upper back 300x340		PCS	1	5707292948083
160883		Insert ass. upper back 340x270		PCS	1	5707292948052
160889		Insert ass. upper back 420x340		PCS	1	5707292948113
160884		Insert ass. upper back 340x340		PCS	1	5707292948090
160886		Insert ass. upper back 380x340		PCS	1	5707292948106
160866		Insert ass. upper back 180x140		PCS	1	5707292947932
160869		Insert ass. upper back 220x180		PCS	1	5707292947963
160870		Insert ass. upper back 260x180		PCS	1	5707292947970
160879		Insert ass. upper back 300x220		PCS	1	5707292948007
160878		Insert ass. upper back 260x270		PCS	1	5707292948021
160885		Insert ass. upper back 380x270		PCS	1	5707292948069
7*	160855	Insert assembly 180mm	For Spacer block	PCS	1	5707292944481
	160856	Insert assembly 220 mm	For Spacer block	PCS	1	5707292947710
*choose color/size						

Position	No.	Description	Color	Quantity	Unit of Measure	Ean code
7*	160858	Insert assembly 300 mm	For Spacer block	PCS	1	5707292947741
	160857	Insert assembly 260mm	For Spacer block	PCS	1	5707292947734
	160861	Insert assembly 420 mm	For Spacer block	PCS	1	5707292947772
	160859	Insert assembly 340 mm	For Spacer block	PCS	1	5707292947758
	160860	Insert assembly 380 mm	For Spacer block	PCS	1	5707292947765
8*	159230	Assy. Foam spacer block 180x55		PCS	1	5707292937568
	159231	Assy. Foam spacer block 220x55		PCS	1	5707292939241
	159233	Assy. Foam spacer block 300x55		PCS	1	5707292939265
	159232	Assy. Foam spacer block 260x55		PCS	1	5707292939258
	159236	Assy. Foam spacer block 420x55		PCS	1	5707292939296
	159234	Assy. Foam spacer block 340x55		PCS	1	5707292939272
	159235	Assy. Foam spacer block 380x55		PCS	1	5707292939289
9*	154004-80	Cover spacer block 220x55	Color black	PCS	1	5707292969958
	154002-70	Cover spacer block 180x55	Incontinense cover	PCS	1	5707292934635
	154002-80	Cover spacer block 180x55	Color black	PCS	1	5707292969941
	154004-70	Cover spacer block 220x55	Incontinense cover	PCS	1	5707292939449
	155426-70	Cover spacer block 300x55	Incontinense cover	PCS	1	5707292939586
	154005-70	Cover spacer block 260x55	Incontinense cover	PCS	1	5707292939517
	154005-80	Cover spacer block 260x55	Color black	PCS	1	5707292969965
	155426-80	Cover spacer block 300x55	Color black	PCS	1	5707292969972
	155429-80	Cover spacer block 420x55	Color black	PCS	1	5707292970008
	155427-70	Cover spacer block 340x55	Incontinense cover	PCS	1	5707292939647
	155427-80	Cover spacer block 340x55	Color black	PCS	1	5707292969989
	155428-70	Cover spacer block 380x55	Incontinense cover	PCS	1	5707292939708
	155428-80	Cover spacer block 380x55	Color black	PCS	1	5707292969996
155429-70	Cover spacer block 420x55	Incontinense cover	PCS	1	5707292939753	
10*	159249	Assy foam seatcush adv 220x500		PCS	1	5707292942937
	159250	Assy foam seatcush adv 260x500		PCS	1	5707292942944
	159251	Assy foam seatcush adv 300x500		PCS	1	5707292942951
	159252	Assy foam seatcush adv 280x650		PCS	1	5707292942968
	159253	Assy foam seatcush adv 320x650		PCS	1	5707292942975
	159254	Assy foam seatcush adv 360x650		PCS	1	5707292942982
	159255	Assy foam seatcush adv 400x650		PCS	1	5707292943019
	159258	Assy foam seatcush adv 460x800		PCS	1	5707292943033
	159256	Assy foam seatcush adv 380x800		PCS	1	5707292943002
	159257	Assy foam seatcush adv 420x800		PCS	1	5707292943026
	159251	Assy foam seatcush adv 300x500		PCS	1	5707292942951
	159253	Assy foam seatcush adv 320x650		PCS	1	5707292942975
	159259	Assy foam seatcush adv 500x800		PCS	1	5707292943040
	159249	Assy foam seatcush adv 220x500		PCS	1	5707292942937
	159250	Assy foam seatcush adv 260x500		PCS	1	5707292942944
	159252	Assy foam seatcush adv 280x650		PCS	1	5707292942968
	159256	Assy foam seatcush adv 380x800		PCS	1	5707292943002
	159258	Assy foam seatcush adv 460x800		PCS	1	5707292943033
	159259	Assy foam seatcush adv 500x800		PCS	1	5707292943040
	11*	153932-70	Cover seatcush adv seat260x500	Incontinense cover	PCS	1
153931-50		Cover seatcush adv seat220x500	Colour red	PCS	1	5707292969361
*choose color/size						

Position	No.	Description	Color	Quantity	Unit of Measure	Ean code
11*	153931-60	Cover seatcush adv seat220x500	Color grey	PCS	1	5707292943071
	153931-70	Cover seatcush adv seat220x500	Incontinense cover	PCS	1	5707292943088
	153932-60	Cover seatcush adv seat260x500	Color grey	PCS	1	5707292943224
	153932-50	Cover seatcush adv seat260x500	Color red	PCS	1	5707292969378
	155454-70	Cover seatcush adv seat280x650	Incontinense cover	PCS	1	5707292943323
	153933-50	Cover seatcush adv seat300x500	Color red	PCS	1	5707292969859
	153933-60	Cover seatcush adv seat300x500	Color grey	PCS	1	5707292943262
	153933-70	Cover seatcush adv seat300x500	Incontinense cover	PCS	1	5707292943279
	155454-50	Cover seatcush adv seat280x650	Color red	PCS	1	5707292943309
	155454-60	Cover seatcush adv seat280x650	Color grey	PCS	1	5707292943316
	155456-70	Cover seatcush adv seat360x650	Incontinense cover	PCS	1	5707292943422
	155455-50	Cover seatcush adv seat320x650	Color red	PCS	1	5707292943354
	155455-60	Cover seatcush adv seat320x650	Color grey	PCS	1	5707292943361
	155455-70	Cover seatcush adv seat320x650	Incontinense cover	PCS	1	5707292943378
	155456-50	Cover seatcush adv seat360x650	Color red	PCS	1	5707292943408
	155456-60	Cover seatcush adv seat360x650	Color grey	PCS	1	5707292943415
	155460-70	Cover seatcush adv seat460x800	Incontinense cover	PCS	1	5707292943606
	155460-60	Cover seatcush adv seat460x800	Color grey	PCS	1	5707292943590
	155460-50	Cover seatcush adv seat460x800	Color red	PCS	1	5707292969880
	155457-50	Cover seatcush adv seat400x650	Color red	PCS	1	5707292943453
	155457-60	Cover seatcush adv seat400x650	Color grey	PCS	1	5707292943460
	155457-70	Cover seatcush adv seat400x650	Incontinense cover	PCS	1	5707292943477
	155458-50	Cover seatcush adv seat380x800	Color red	PCS	1	5707292969866
	155458-60	Cover seatcush adv seat380x800	Color grey	PCS	1	5707292943514
	155458-70	Cover seatcush adv seat380x800	Incontinense cover	PCS	1	5707292943521
	155459-50	Cover seatcush adv seat420x800	Color red	PCS	1	5707292969873
	155459-60	Cover seatcush adv seat420x800	Color grey	PCS	1	5707292943552
	155459-70	Cover seatcush adv seat420x800	Incontinense cover	PCS	1	5707292943569
	155461-50	Cover seatcush adv seat500x800	Color red	PCS	1	5707292969897
	155461-60	Cover seatcush adv seat500x800	Color grey	PCS	1	5707292943637
	155461-70	Cover seatcush adv seat500x800	Incontinense cover	PCS	1	5707292943644
	155455-50	Cover seatcush adv seat320x650	Color red	PCS	1	5707292943354
	155455-60	Cover seatcush adv seat320x650	Color grey	PCS	1	5707292943361
	155454-70	Cover seatcush adv seat280x650	Incontinense cover	PCS	1	5707292943323
	155454-50	Cover seatcush adv seat280x650	Color red	PCS	1	5707292943309
	155454-60	Cover seatcush adv seat280x650	Color grey	PCS	1	5707292943316
	153933-70	Cover seatcush adv seat300x500	Incontinense cover	PCS	1	5707292943279
	153933-60	Cover seatcush adv seat300x500	Color grey	PCS	1	5707292943262
	153932-60	Cover seatcush adv seat260x500	Color grey	PCS	1	5707292943224
	153932-70	Cover seatcush adv seat260x500	Incontinense cover	PCS	1	5707292943231
	153931-70	Cover seatcush adv seat220x500	Incontinense cover	PCS	1	5707292943088
	153931-60	Cover seatcush adv seat220x500	Color grey	PCS	1	5707292943071
	155455-70	Cover seatcush adv seat320x650	Incontinense cover	PCS	1	5707292943378
	155460-60	Cover seatcush adv seat460x800	Color grey	PCS	1	5707292943590
	155460-70	Cover seatcush adv seat460x800	Incontinense cover	PCS	1	5707292943606
	155459-60	Cover seatcush adv seat420x800	Color grey	PCS	1	5707292943552
	155458-70	Cover seatcush adv seat380x800	Incontinense cover	PCS	1	5707292943521
	155456-50	Cover seatcush adv seat360x650	Color red	PCS	1	5707292943408

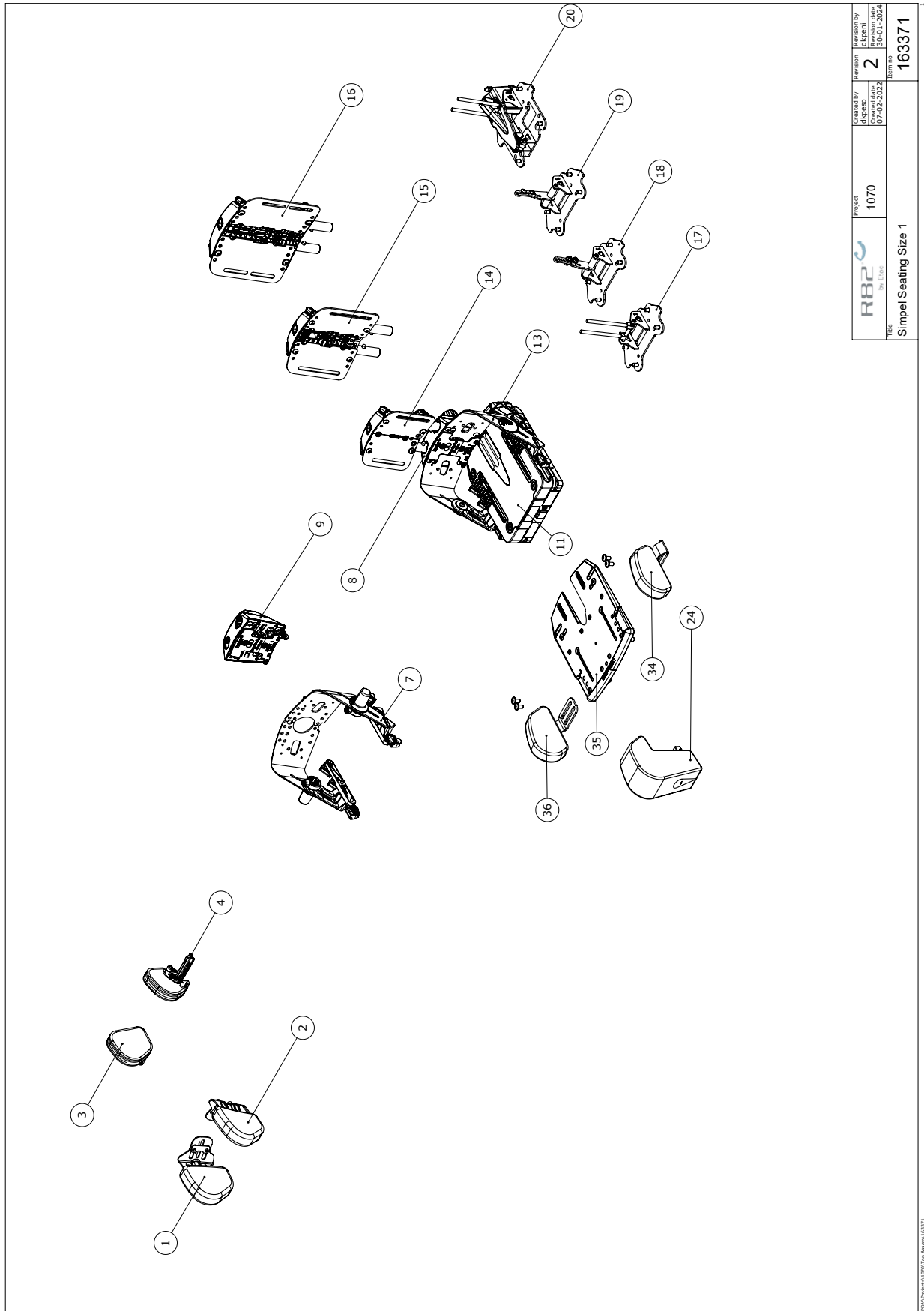
*choose color/size

Position	No.	Description	Color	Quantity	Unit of Measure	Ean code
11*	155456-60	Cover seatcush adv seat360x650	Color grey	PCS	1	5707292943415
	155456-70	Cover seatcush adv seat360x650	Incontinense cover	PCS	1	5707292943422
	155457-50	Cover seatcush adv seat400x650	Color red	PCS	1	5707292943453
	155457-60	Cover seatcush adv seat400x650	Color grey	PCS	1	5707292943460
	155457-70	Cover seatcush adv seat400x650	Incontinense cover	PCS	1	5707292943477
	155458-60	Cover seatcush adv seat380x800	Color grey	PCS	1	5707292943514
	155459-70	Cover seatcush adv seat420x800	Incontinense cover	PCS	1	5707292943569
	155461-60	Cover seatcush adv seat500x800	Color grey	PCS	1	5707292943637
	155461-70	Cover seatcush adv seat500x800	Incontinense cover	PCS	1	5707292943644
12*	159261	Assy Foam seatcush flat250x500		PCS	1	5707292943651
	159262	Assy Foam seatcush flat300x500		PCS	1	5707292943668
	159263	Assy Foam seatcush flat320x650		PCS	1	5707292943675
	159264	Assy Foam seatcush flat400x650		PCS	1	5707292943682
	159265	Assy Foam seatcush flat420x800		PCS	1	5707292943699
	159266	Assy Foam seatcush flat500x800		PCS	1	5707292943705
	159265	Assy Foam seatcush flat420x800		PCS	1	5707292943699
	159266	Assy Foam seatcush flat500x800		PCS	1	5707292943705
	159262	Assy Foam seatcush flat300x500		PCS	1	5707292943668
	159261	Assy Foam seatcush flat250x500		PCS	1	5707292943651
	159263	Assy Foam seatcush flat320x650		PCS	1	5707292943675
	159264	Assy Foam seatcush flat400x650		PCS	1	5707292943682
	159265	Assy Foam seatcush flat420x800		PCS	1	5707292943699
	159266	Assy Foam seatcush flat500x800		PCS	1	5707292943705
	13*	156438-60	Cover seatcush flatseat400x650	Color grey	PCS	1
156438-70		Cover seatcush flatseat400x650	Incontinense cover	PCS	1	5707292943903
153993-50		Cover seatcush flatseat250x500	Color red	PCS	1	5707292969903
153993-60		Cover seatcush flatseat250x500	Color grey	PCS	1	5707292943743
153993-70		Cover seatcush flatseat250x500	Incontinense cover	PCS	1	5707292943767
153994-50		Cover seatcush flatseat300x500	Color red	PCS	1	5707292969910
153994-60		Cover seatcush flatseat300x500	Color grey	PCS	1	5707292943798
153994-70		Cover seatcush flatseat300x500	Incontinense cover	PCS	1	5707292943804
156437-50		Cover seatcush flatseat320x650	Color red	PCS	1	5707292943835
156437-60		Cover seatcush flatseat320x650	Color grey	PCS	1	5707292943842
156437-70		Cover seatcush flatseat320x650	Incontinense cover	PCS	1	5707292943859
156438-50		Cover seatcush flatseat400x650	Color red	PCS	1	5707292943880
156440-70		Cover seatcush flatseat500x800	Incontinense cover	PCS	1	5707292943989
156439-50		Cover seatcush flatseat420x800	Color red	PCS	1	5707292969927
156439-60		Cover seatcush flatseat420x800	Color grey	PCS	1	5707292943934
156439-70		Cover seatcush flatseat420x800	Incontinense cover	PCS	1	5707292943941
156440-50		Cover seatcush flatseat500x800	Color red	PCS	1	5707292969934
156440-60		Cover seatcush flatseat500x800	Color grey	PCS	1	5707292943972
156438-70		Cover seatcush flatseat400x650	Incontinense cover	PCS	1	5707292943903
153993-60		Cover seatcush flatseat250x500	Color grey	PCS	1	5707292943743
153993-70		Cover seatcush flatseat250x500	Incontinense cover	PCS	1	5707292943767
153994-60		Cover seatcush flatseat300x500	Color grey	PCS	1	5707292943798
153994-70		Cover seatcush flatseat300x500	Incontinense cover	PCS	1	5707292943804
13*	156437-50	Cover seatcush flatseat320x650	Color red	PCS	1	5707292943835
	156437-60	Cover seatcush flatseat320x650	Color grey	PCS	1	5707292943842

*choose color/size

Position	No.	Description	Color	Quantity	Unit of Measure	Ean code
13*	156437-70	Cover seatcush flatseat320x650	Incontinense cover	PCS	1	5707292943859
	156438-50	Cover seatcush flatseat400x650	Color red	PCS	1	5707292943880
	156438-60	Cover seatcush flatseat400x650	Color grey	PCS	1	5707292943897
	156439-60	Cover seatcush flatseat420x800	Color grey	PCS	1	5707292943934
	156439-70	Cover seatcush flatseat420x800	Incontinense cover	PCS	1	5707292943941
	156440-60	Cover seatcush flatseat500x800	Color grey	PCS	1	5707292943972
	156440-70	Cover seatcush flatseat500x800	Incontinense cover	PCS	1	5707292943989
*choose color/size						

Simple seating size 1



	Project	1070	Created by	dlp/ser	Revision	2	Revision by	dlp/ser
	Item no	163371	Date	07/02/2022	Rev. no	30.01.2024		
Title		Simple Seating Size 1						

WPM/Project/LOW/For: Rev: 163371

Item numbers for Simple seating size 1

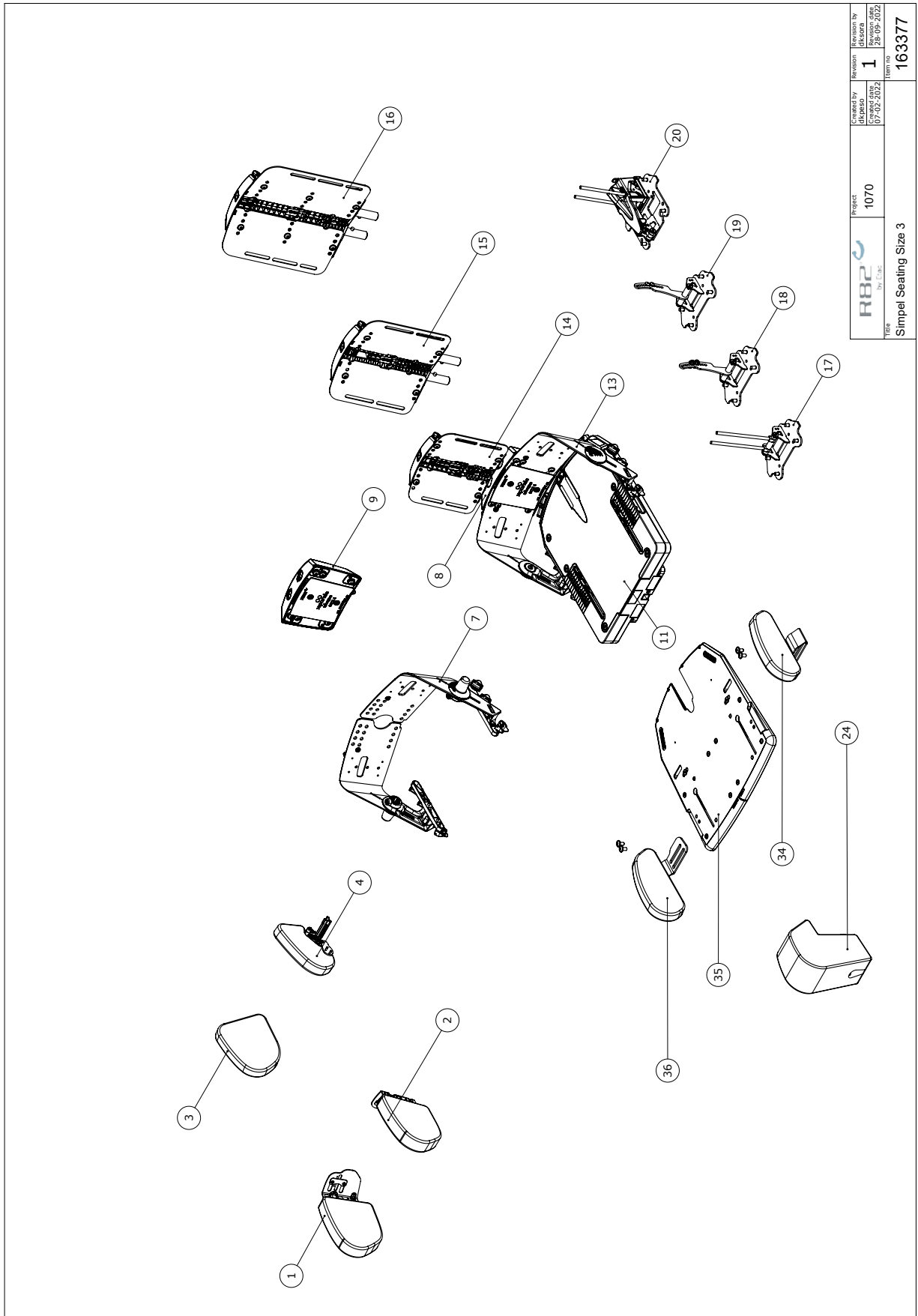
Position	No.	Description	Quantity	Unit of Measure	Ean code
1*	163678-170	Hip.sup.back size1, R w. cover	PCS	1	5707292949615
	163678-180	Hip.sup.back size1, R w. cover	PCS	1	5707292949691
2*	161979-170	Hip.sup.back size1, L w. cover	PCS	1	5707292949509
	161979-180	Hip.sup.back size1, L w. cover	PCS	1	5707292949516
3*	150117-180	Dir. Hip.sup. L. S1 w. cover	PCS	1	5707292950031
	150117-1UB	Dir. Hip.sup. R. S1 w.o. cover	PCS	1	5707292950017
4*	149486-180	Dir. Hip.sup. L. S1 w. cover	PCS	1	5707292949943
	149486-1UB	Dir. Hip.sup. L. S1 w.o. cover	PCS	1	5707292949929
7	146652	Hinge Ass. Dir. Hip - size 1	PCS	1	5707292937155
8*	151777-QRD	Lower back steples ass S.1 QRD	PCS	1	5707292949110
	151777-D	Lower back stepless ass S.1,D	PCS	1	5707292949103
9	161298-QR	Lower back step ass S.1 QR	PCS	1	5707292941770
11*	139329-BS	Seat base-S.1, Basic cover	PCS	1	5707292972033
	139329-BUPS	Seat base-S.1, Basic cover UP	PCS	1	5707292972064
	139329-SUPS	Seat base-S.1,stepless cov. UP	PCS	1	5707292972248
	139329-SS	Seat base-S.1, stepless cover	PCS	1	5707292972293
13	161165	Hinge Ass. Basic - size 1	PCS	1	5707292940353
14	147082	Upper back ass. 140x180/220	PCS	1	5707292940223
15	146786	Upper Back ass.180x180/220/260	PCS	1	5707292940216
16	154712	Upper back ass. 220x220/260/300/340	PCS	1	5707292940261
17	153346-1	Recl.module Stepless size 1	PCS	1	5707292948311
18	153345	Basic recl.module steps size 1	PCS	1	5707292948267
19	158265	Basic recline module - fixed size 1	PCS	1	5707292948250
20	153347	Dynamic recline module size 1 - Hard	PCS	1	5707292946416
24	150704-80	Pommel w. quick release s.1	PCS	1	5707292959973
34*	151375-80	Simple outh. supp 150 x 80 L.	PCS	1	5707292947628
	151375-70	Simple outh. supp 150 x 80 L.	PCS	1	5707292947611
35*	140960-300	Flat seatplate Size 1, 300 mm	PCS	1	5707292945266
	140960-250	Flat seatplate Size 1, 250 mm	PCS	1	5707292945259
36*	151372-80	Simple outh. supp 150 x 80 R.	PCS	1	5707292946041
	151372-70	Simple outh. supp 150 x 80 R.	PCS	1	5707292946089
* Choose size / color					

Item numbers for Simple seating size 2

Position	No.	Description		Quantity	Unit of Measure	Ean code
1	163678-280	Hip.sup.back size2, R w. cover		1	PCS	5707292949684
2	161979-280	Hip.sup.back size2, L w. cover		1	PCS	5707292949547
3*	150117-280	Dir. Hip.sup. L. S2 w. cover	Colour 80	1	PCS	5707292950062
	150117-270	Dir. Hip.sup. L. S2 w. cover	Colour 70	1	PCS	5707292950055
	150117-2UB	Dir. Hip.sup. R. S2 w.o. cover		1	PCS	5707292950048
4*	149486-280	Dir. Hip.sup. L. S2, w. cover	Colour 80	1	PCS	5707292949974
	149486-270	Dir. Hip.sup. L. S2, w. cover	Colour 70	1	PCS	5707292949967
	149486-2UB	Dir. Hip.sup. L. S2 w.o. cover		1	PCS	5707292949950
7	161185	Hinge Ass. Dir. Hip - size 2		1	PCS	5707292941404
8*	161323-QRD	Lower back stepless Ass.S2 QRD		1	PCS	5707292949189
	161323-D	Lower back stepless Ass. S.2 D		1	PCS	5707292949172
	161323-QRD	Lower back stepless Ass.S2 QRD		1	PCS	5707292949189
9	161341-QR	Lower back step Ass. S.2 QR		1	PCS	5707292941930
11*	146219-SUPS	Seat base-S.2,stepless cov. UP	Simple seat, without Pommel	1	PCS	5707292972491
	146219-BS	Seat base-S.2, Basic cover	Simple seat, without Pommel	1	PCS	5707292972446
	146219-SS	Seat base-S.2, stepless cover	Simple seat, without Pommel	1	PCS	5707292972484
	146219-DUPS	Seat base-S.2, dynamic UP	Simple seat, without Pommel	1	PCS	5707292972477
	146219-BUPS	Seat base-S.2, Basic cover UP	Simple seat, without Pommel	1	PCS	5707292972453
13	154058	Hinge Ass. Basic - size 2		1	PCS	5707292940513
14	146786	Upper back ass. 180x180/220/260		1	PCS	5707292940216
15	154712	Upper back ass. 220x220/260/300/340		1	PCS	5707292940261
16*	155257	Upp.ba.ass.340x300/340/380/420		1	PCS	5707292940346
	154544	Upp.ba.ass.270x260/300/340/380		1	PCS	5707292940285
17	153346-2	Recl.module Stepless size 2		1	PCS	5707292948328
18	155449	Basic recl.module steps size 2		1	PCS	5707292948281
19	158272	Basic recline module - fixed size 2		1	PCS	5707292948274
20	163095-2FL	Dynamic recl.S2 fix,soft lock		1	PCS	5707292946836
24	158093-80	Pommel w. quick release s.2-3	Cover black Ipanima	1	PCS	5707292959959
34*	161522-80	Simple outh. supp 200 x 90 L.	With Cover colour 80	1	PCS	5707292951595
	161522-70	Simple outh. supp 200 x 90 L.	With Cover, Colour 70	1	PCS	5707292951588
35*	154961-320	Flat seatplate Size 2, 320 mm		1	PCS	5707292945358
	154961-400	Flat seatplate Size 2, 400 mm		1	PCS	5707292945365
36*	161521-70	Simple outh. supp 200 x 90 R.	With cover, colour 70	1	PCS	5707292950550
	161521-80	Simple outh. supp 200 x 90 R.	With Cover colour 80	1	PCS	5707292950574

* Choose size / color

Simple seating size 3

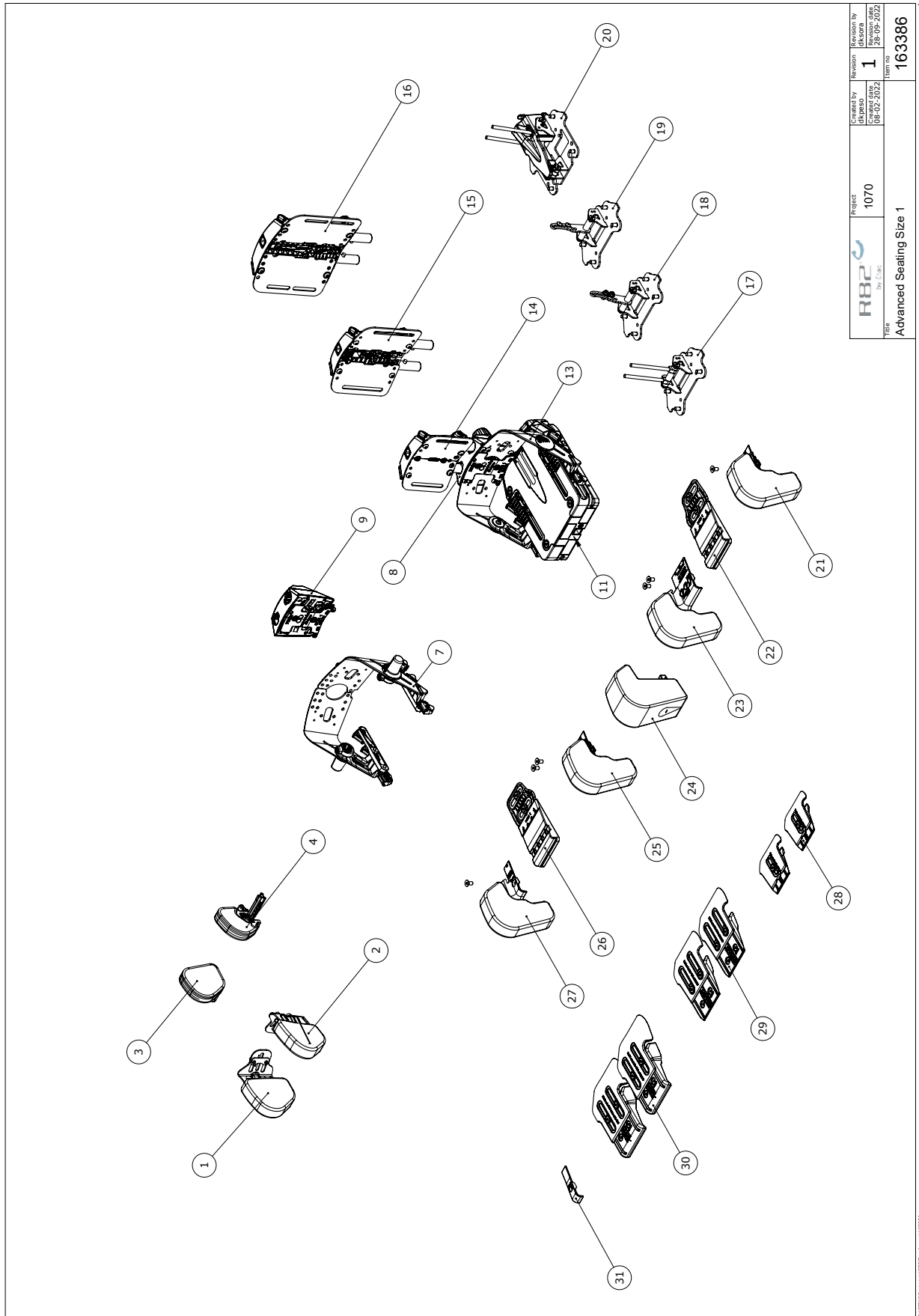


C:\BOM\Project\1070\Sp_Mat\163377

Item numbers for Simple seating size 3

Position	No.	Description	Quantity	Unit of Measure	Ean code	
1*	163678-3UB	Hip.sup.back size3, R no cover	1	PCS	5707292949608	
	163678-380	Hip.sup.back size1, R w. cover	1	PCS	5707292949660	
2*	161979-3UB	Hip.sup.back size3, L no cover	1	PCS	5707292949554	
	161979-380	Hip.sup.back size3, L w. cover	1	PCS	5707292949578	
3*	150117-3UB	Dir. Hip.sup. R. S3 w.o. cover	1	PCS	5707292950079	
	150117-380	Dir. Hip.sup. L. S3 w. cover	Colour 80	1	PCS	5707292950093
4*	149486-3UB	Dir. Hip.sup. L. S3 w.o. cover	1	PCS	5707292949981	
	149486-380	Dir. Hip.sup. L. S3, w. cover	Colour 80	1	PCS	5707292950000
7	161201	Hinge Ass. Dir. Hip - size 3	1	PCS	5707292941411	
8*	161348-D	Lower back stepless Ass. S.3,D	1	PCS	5707292949301	
	161348	Lower back stepless Ass. S.3	1	PCS	5707292941947	
	161348-QRD	Lower back stepless Ass.S3 QRD	1	PCS	5707292949318	
9	161356-QR	Lower back step Ass. S.3 QR	1	PCS	5707292944009	
11*	146278-BUPS	Seat base-S.3, Basic cover UP	Simple seat, no Pommel	1	PCS	5707292972514
	146278-BS	Seat base-S.3, Basic cover	Simple seat, med Pommel	1	PCS	5707292972507
	146278-SUPS	Seat base-S.3,stepless cov. UP	Simple seat, uden Pommel	1	PCS	5707292972552
	146278-SS	Seat base-S.3, stepless cover	Simple seat, med Pommel	1	PCS	5707292972545
13	153356	Hinge Ass. Basic - size 3	1	PCS	5707292940711	
14	154712	Upper back ass. 220x220/260/300/340	1	PCS	5707292940261	
15	154544	Upper back ass. 270x260/300/340/380	1	PCS	5707292940285	
16	155257	Upp.ba.ass.340x300/340/380/420	1	PCS	5707292940346	
17	153346-3	Recl.module Stepless size 3	1	PCS	5707292948335	
18	155442	Basic recline module - steps size 3	1	PCS	5707292948304	
19	158275	Basic recl.module fixed size 3	1	PCS	5707292948298	
20	163096	Dynamic recline module fixed resistance size 2-3 Hard	1	PCS	5707292946867	
24	158093-80	Pommel w. quick release s.2-3	Cover black Ipanima	1	PCS	5707292959959
34*	161574-80	Simple outh. supp 250 x 100 L.	With cover	1	PCS	5707292951656
	161574-70	Simple outh. supp 250 x 100 L.	With cover	1	PCS	5707292951649
35*	154697-500	Flat seatplate S.3 500 mm		1	PCS	5707292945396
	154697-420	Flat seatplate S.3 420 mm		1	PCS	5707292945389
36*	161573-80	Simple outh. supp 250 x 100 R.	With cover	1	PCS	5707292951625
	161573-70	Simple outh. supp 250 x 100 R.	With cover	1	PCS	5707292951618
* Choose size / color						

Advanced seating size 1



		Project 1070	Created by dkpssn	Revision No. 1	Revision Date 14.09.2022
R82 In: Dk		Advanced Seating Size 1		Item No. 163386	

© 2022 R82 A/S. All rights reserved.

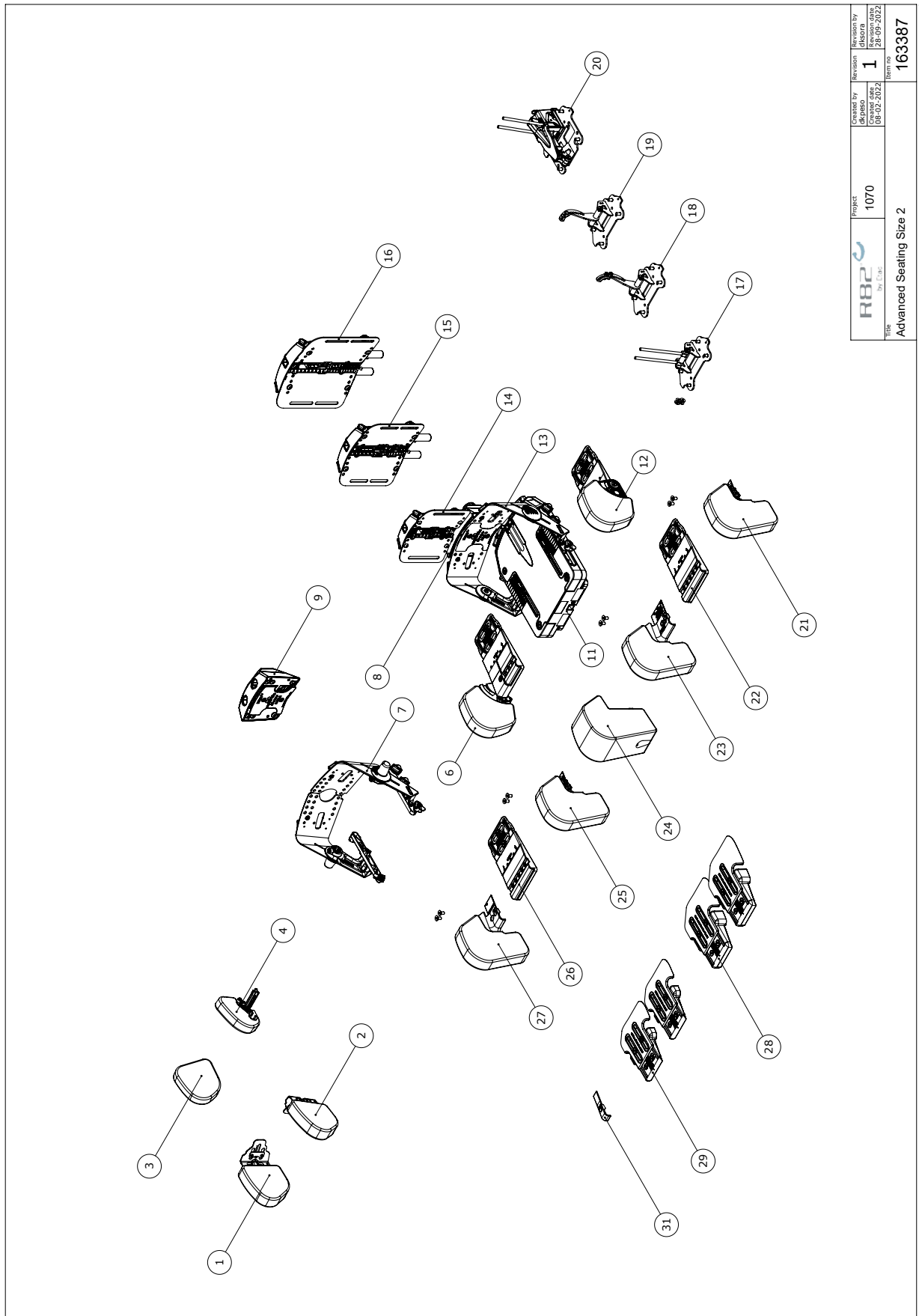
Item numbers for Advanced seating size 1

Position	No.	Description	Quantity	Unit of Measure	Ean code	
1*	163678-170	Hip.sup.back size1, R w. cover	1	PCS	5707292949615	
	141298	Outer House right s.1	1	PCS	5707292941428	
	163678-180	Hip.sup.back size1, R w. cover	1	PCS	5707292949691	
2*	161979-170	Hip.sup.back size1, L w. cover	Cover colour 70	1	PCS	5707292949509
	0602190-1	Insex M6x12, FZD black	6	PCS	5707292927712	
	161979-180	Hip.sup.back size1, L w. cover	1	PCS	5707292949516	
3*	141170	Inner house L+R s.1-3	2	PCS	5707292941466	
	150117-180	Dir. Hip.sup. L. S1 w. cover	Colour 80	1	PCS	5707292950031
	150117-1UB	Dir. Hip.sup. R. S1 w.o. cover	1	PCS	5707292950017	
	150117-170	Dir. Hip.sup. L. S1 w. cover	Colour 70	1	PCS	5707292950024
4*	0604456	Ø3.5x30 plast tight screw	6	PCS	5707292937377	
	149486-180	Dir. Hip.sup. L. S1 w. cover	Colour 80	1	PCS	5707292949943
	149486-1UB	Dir. Hip.sup. L. S1 w.o. cover	1	PCS	5707292949929	
	149486-170	Dir. Hip.sup. ,S1 w. cover	Colour 70	1	PCS	5707292949936
7*	147022	Outer House left s.1	1	PCS	5707292941435	
	146652	Hinge Ass. Dir. Hip - size 1	Size 1 seatbase, phantom	1	PCS	5707292937155
8*	151777	Lower back stepless ass S.1	1	PCS	5707292941749	
	151777-D	Lower back stepless ass S.1,D	1	PCS	5707292949103	
	151777-QRD	Lower back steples ass S.1 QRD	1	PCS	5707292949110	
9	161298	Lower Back Step Ass. S.1	1	PCS	5707292941763	
10*	161297-D	Lower back 3D hip ass. S1 D	1	PCS	5707292949127	
	161297-QRD	Lower back 3d hip Ass. S.1 QRD	1	PCS	5707292949134	
11*	139329-DUP	Seat base-S.1, for dynamic UP	Adv. seat, no Pommel	1	PCS	5707292945112
	139329-SUP	Seat base-S.1,stepless cov. UP	Adv. seat, no Pommel	1	PCS	5707292945105
	139329-D	Seat base-S.1, for dynamic	Adv. seat, with Pommel	1	PCS	5707292945082
13	161165	Hinge Ass. Basic - size 1	1	PCS	5707292940353	
14*	147082	Upper back ass. 140x180/220	Phantom component	1	PCS	5707292940223
	146786	Upper Back ass.180x180/220/260	Phantom component	1	PCS	5707292940216
15	146786	Upper Back ass.180x180/220/260	Phantom component	1	PCS	5707292940216
16	154712	Upp.ba.ass.220x220/260/300/340	1	PCS	5707292940261	
17*	163094-FL	Dynamic recl.S1 fixed,lock 50N	1	PCS	5707292946461	
	153346-1	Recl.module Stepless size 1	1	PCS	5707292948311	
18	153345	Basic recline module - steps size 1	1	PCS	5707292948267	
19	158265	Basic recline module - fixed size 1	1	PCS	5707292948250	
20*	153347-AL	Dynamic recl. S1 adj, lock 50N	1	PCS	5707292946447	
	163094-F	Dynamic recl. S1 fixed 50N	1	PCS	5707292946454	
	163094-FL	Dynamic recl.S1 fixed,lock 50N	1	PCS	5707292946461	
21*	163552-O70	Outher Knee supp. Left, S.1	With cover	1	PCS	5707292952592
	163552-O80	Outher Knee supp. Left, S.1	With cover	1	PCS	5707292952608
22	163547	Advance seat plate S.1, Left	1	PCS	5707292952356	
23*	163552-170	Inner Knee supp. Left, S.1	With Cover	1	PCS	5707292952530
	163552-180	Inner Knee supp. Left, S.1	With cover	1	PCS	5707292952547
24*	150704-80	Pommel w. quick release s.1	Cover Ipanima	1	PCS	5707292959973
	150704-70	Pommel w. quick release s.1	Cover Endurance	1	PCS	5707292959966
25*	163551-170	Inner Knee supp. Right, S.1	With Cover	1	PCS	5707292952516
	163551-180	Inner Knee supp. Right, S.1	With Cover	1	PCS	5707292952523

* Choose size / color

Position	No.	Description	Quantity	Unit of Measure	Ean code	
26	163546	Advance seat plate S.1, Right	1	PCS	5707292952332	
27*	163551-O70	Outher Knee supp. Right, S.1	With cover	1	PCS	5707292952578
	163551-O80	Outher Knee supp. Right, S.1	With cover	1	PCS	5707292952585
28	155167	Seat pit H20 x L70-110 x W115	2	PCS	5707292946201	
29	155168	Seat pit H30 x L110-175 x W135	2	PCS	5707292946218	
30	155169	Seat pit H45 x L120-200 x W135	2	PCS	5707292946225	
31	151910	Spacer f. add./abd.	4	PCS	5707292937100	
* Choose size / color						

Advanced seating size 2



R82 A/S	Project	1070	Created by	dkpaco	Revision by	dkpaco	
	File	Advanced Seating Size 2	Created date	08-02-2022	Revision date	28-09-2022	
						Item no.	163387

Item numbers for Advanced seating size 2

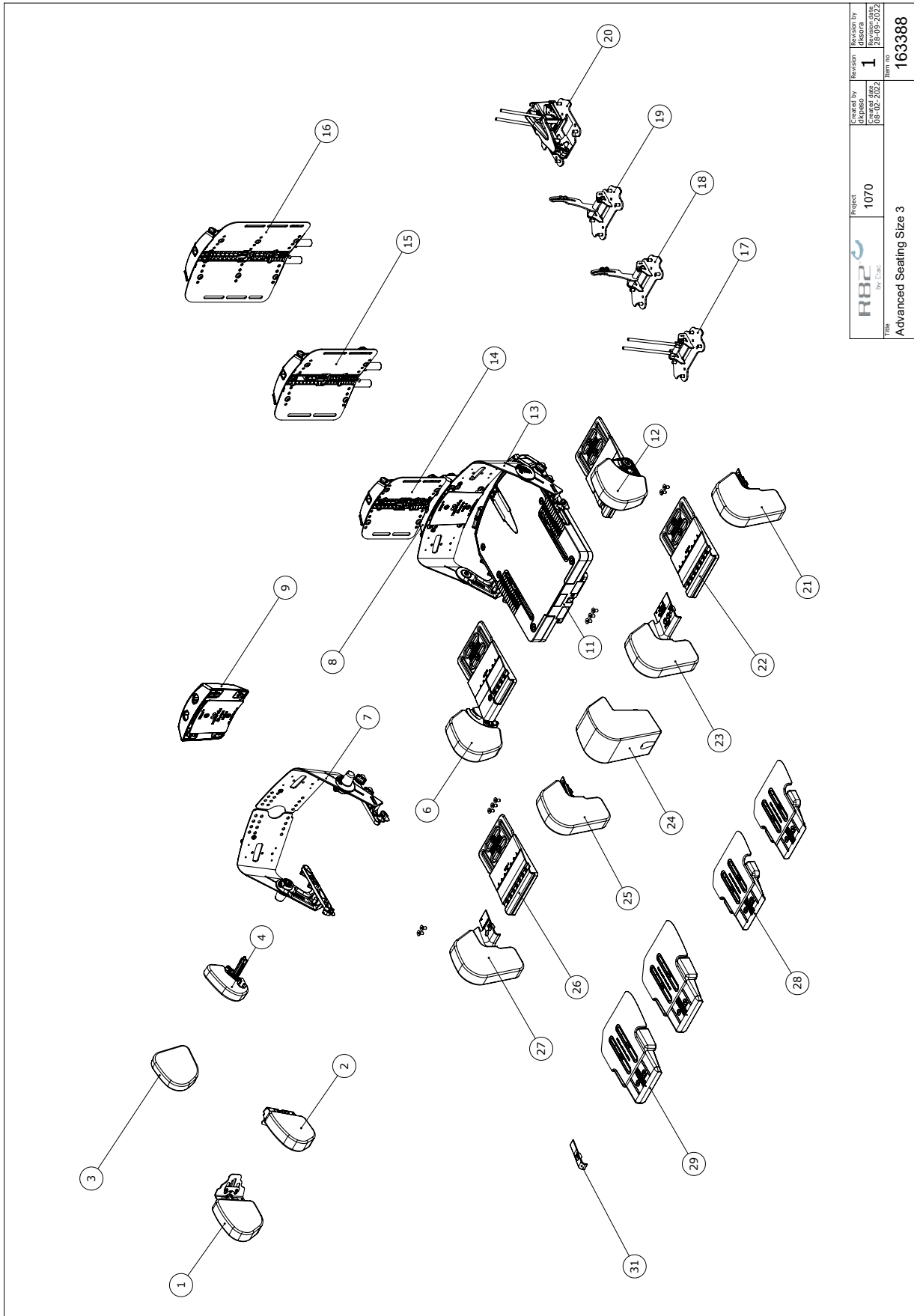
Position	No.	Description		Quantity	Unit of Measure	Ean code
1*	147748	Outer house right s.2-3		1	PCS	5707292941442
	163678-270	Hip.sup.back size2, R w. cover	Colour 70	1	PCS	5707292949622
	163678-280	Hip.sup.back size2, R w. cover	Colour 80	1	PCS	5707292949684
2*	0602190-1	Insex M6x12, FZD black		6	PCS	5707292927712
	161979-270	Hip.sup.back size2, L w. cover		1	PCS	5707292949523
	161979-280	Hip.sup.back size2, L w. cover		1	PCS	5707292949547
3*	141170	Inner house L+R s.1-3		2	PCS	5707292941466
	150117-270	Dir. Hip.sup. L. S2 w. cover	Colour 70	1	PCS	5707292950055
	150117-280	Dir. Hip.sup. L. S2 w. cover	Colour 80	1	PCS	5707292950062
	150117-2UB	Dir. Hip.sup. R. S2 w.o. cover		1	PCS	5707292950048
4*	0604456	Ø3.5x30 plast tight screw		6	PCS	5707292937377
	149486-270	Dir. Hip.sup. L. S2, w. cover	Colour 70	1	PCS	5707292949967
	149486-280	Dir. Hip.sup. L. S2, w. cover	Colour 80	1	PCS	5707292949974
	149486-2UB	Dir. Hip.sup. L. S2 w.o. cover		1	PCS	5707292949950
6*	163536-70	Flip down Size 2 Right w.cover		1	PCS	5707292948946
	163536-80	Flip down Size 2 Right w.cover		1	PCS	5707292948953
	149486-280	Dir. Hip.sup. L. S2, w. cover	Colour 80	1	PCS	5707292949974
	149486-270	Dir. Hip.sup. L. S2, w. cover	Colour 70	1	PCS	5707292949967
7*	147749	Outer house left s.2-3		1	PCS	5707292941459
	161185	Hinge Ass. Dir. Hip - size 2		1	PCS	5707292941404
8*	161323	Lower back stepless Ass. S.2		1	PCS	5707292941909
	161323-D	Lower back stepless Ass. S.2 D		1	PCS	5707292949172
	161323-QR	Lower back stepless Ass.S.2 QR		1	PCS	5707292941916
	161323-QRD	Lower back stepless Ass.S2 QRD		1	PCS	5707292949189
10*	161876-D	Lower back 3d hip Ass. S.2, d		1	PCS	5707292949264
	161876	Lower back 3d hip Ass. S.2		1	PCS	5707292944627
	161876-QRD	Lower back 3d hip Ass.S.2, QRD		1	PCS	5707292949271
11*	146219-S	Seat base-S.2, stepless cover		1	PCS	5707292938879
	146219-SUP	Seat base-S.2,stepless cov. UP	Adv. seat, uden Pommel	1	PCS	5707292945150
	146219-DUP	Seat base-S.2, dynamic UP	Adv. seat, uden Pommel	1	PCS	5707292945143
	146219-D	Seat base-S.2, dynamic	Adv. seat, med Pommel	1	PCS	5707292945129
12*	163537-70	Flip down Size 2 Left, w.cover		1	PCS	5707292948960
	163537-80	Flip down Size 2 Left, w.cover		1	PCS	5707292948977
13	154058	Hinge Ass. Basic - size 2		1	PCS	5707292940513
14	146786	Upper Back ass.180x180/220/260	Phantom component	1	PCS	5707292940216
15	154712	Upp.ba.ass.220x220/260/300/340		1	PCS	5707292940261
16*	154544	Upp.ba.ass.270x260/300/340/380		1	PCS	5707292940285
	155257	Upp.ba.ass.340x300/340/380/420		1	PCS	5707292940346
17	153346-2	Recl.module Stepless size 2		1	PCS	5707292948328
20*	153348-2A	Dynamic recl. S.2 Soft adj		1	PCS	5707292946645
	153348-2AL	Dynamic recl. S.2 Soft adj. lo	Må Bruges til transport i bil	1	PCS	5707292946904
	163095-2FL	Dynamic recl.S2 fix,soft lock		1	PCS	5707292946836
21*	163740-O70	Outher Knee supp. Left, S.2	With cover	1	PCS	5707292953087
	163740-O80	Outher Knee supp. Left, S.2	With cover	1	PCS	5707292953094
	163552-O80	Outher Knee supp. Left, S.1	With cover	1	PCS	5707292952608
	163552-O70	Outher Knee supp. Left, S.1	With cover	1	PCS	5707292952592

* Choose size / color

Position	No.	Description	Quantity	Unit of Measure	Ean code	
23*	163740-I70	Inner Knee supp. Left, S.2	With cover	1	PCS	5707292953056
	163740-I80	Inner Knee supp. Left, S.2	With cover	1	PCS	5707292953063
	163753-I80	Inner Knee supp. left, S.3	With Cover	1	PCS	5707292953223
	163753-I70	Inner Knee supp. left, S.3	With cover	1	PCS	5707292953216
	163552-I80	Inner Knee supp. Left, S.1	With cover	1	PCS	5707292952547
	163552-I70	Inner Knee supp. Left, S.1	With Cover	1	PCS	5707292952530
24*	158093-80	Pommel w. quick release s.2-3	Cover black Ipanima	1	PCS	5707292959959
	158093-70	Pommel w. quick release s.2-3	Cover Endurance	1	PCS	5707292959942
	150704-80	Pommel w. quick release s.1	Cover Ipanima	1	PCS	5707292959973
	150704-70	Pommel w. quick release s.1	Cover Endurance	1	PCS	5707292959966
25*	163735-I70	Inner Knee supp. Right, S.2	With cover	1	PCS	5707292952691
	163735-I80	Inner Knee supp. Right, S.2	With cover	1	PCS	5707292952707
	163746-I80	Inner Knee supp. Right, S.3	With cover	1	PCS	5707292953148
	163746-I70	Inner Knee supp. Right, S.3	With cover	1	PCS	5707292953131
	163551-I70	Inner Knee supp. Right, S.1	With Cover	1	PCS	5707292952516
	163551-I80	Inner Knee supp. Right, S.1	With Cover	1	PCS	5707292952523
27*	163551-O80	Outher Knee supp. Right, S.1	With cover	1	PCS	5707292952585
	163551-O70	Outher Knee supp. Right, S.1	With cover	1	PCS	5707292952578
	163735-O80	Outher Knee supp. Right, S.2	With cover	1	PCS	5707292952738
	163735-O70	Outher Knee supp. Right, S.2	With cover	1	PCS	5707292952721
28*	155170	Seat pit H35 x L130-220 x W150		2	PCS	5707292946232
	155171	Seat pit H50 x L140-240 x W150		2	PCS	5707292946249
29*	155171	Seat pit H50 x L140-240 x W150		2	PCS	5707292946249
	151910	Spacer f. add./abd.		4	PCS	5707292937100
	155171	Seat pit H50 x L140-240 x W150		2	PCS	5707292946249
31	151910	Spacer f. add./abd.		4	PCS	5707292937100
22+26	153590	Advance seat plate size 2		2	PCS	5707292952363

* Choose size / color

Advanced seating size 3



	Project	1070	Created by	dkrasa	Reviewed by	dkrasa
	Date	2002	Created by	dkrasa	Reviewed by	dkrasa
Title		Advanced Seating Size 3		Item no.	163388	

C:\EPDM\Projects\1070\Rev_Asm\163388

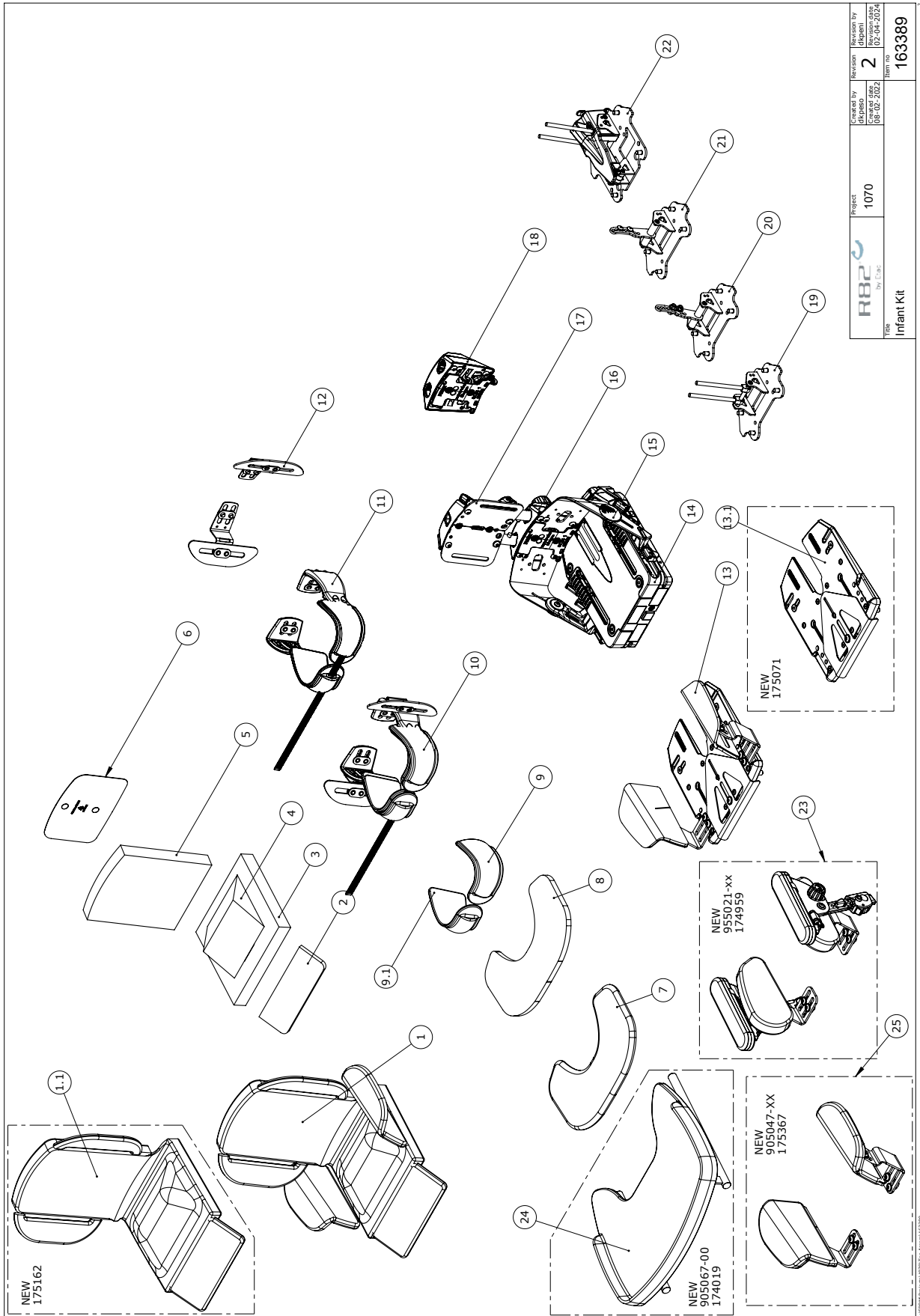
Item numbers for Advanced seating size 3

Position	No.	Description		Quantity	Unit of Measure	Ean code
1*	163678-370	Hip.sup.back size1, R w. cover		1	PCS	5707292949639
	163678-380	Hip.sup.back size1, R w. cover		1	PCS	5707292949660
	147748	Outer house right s.2-3		1	PCS	5707292941442
	163678-380	Hip.sup.back size1, R w. cover		1	PCS	5707292949660
2*	161979-370	Hip.sup.back size3, L w. cover		1	PCS	5707292949561
	161979-380	Hip.sup.back size3, L w. cover		1	PCS	5707292949578
	0602190-1	Insex M6*12, FZD black		6	PCS	5707292927712
	161979-380	Hip.sup.back size3, L w. cover		1	PCS	5707292949578
3*	141170	Inner house L+R s.1-3		2	PCS	5707292941466
	150117-380	Dir. Hip.sup. L. S3 w. cover	Colour 80	1	PCS	5707292950093
	150117-3UB	Dir. Hip.sup. R. S3 w.o. cover		1	PCS	5707292950079
	150117-380	Dir. Hip.sup. L. S3 w. cover	Colour 80	1	PCS	5707292950093
4*	0604456	Ø3.5*30 plast tight screw		6	PCS	5707292937377
	149486-380	Dir. Hip.sup. L. S3, w. cover	Colour 80	1	PCS	5707292950000
	149486-3UB	Dir. Hip.sup. L. S3 w.o. cover		1	PCS	5707292949981
6*	163533-70	Flip down S3, right, w.cover		1	PCS	5707292949011
	163533-80	Flip down S3, right, w.cover		1	PCS	5707292949028
	149486-370	Dir. Hip.sup. L. S3, w. cover	Colour 70	1	PCS	5707292949998
	149486-380	Dir. Hip.sup. L. S3, w. cover	Colour 80	1	PCS	5707292950000
	163533-80	Flip down S3, right, w.cover		1	PCS	5707292949028
7*	147749	Outer house left s.2-3		1	PCS	5707292941459
	161201	Hinge Ass. Dir. Hip - size 3		1	PCS	5707292941411
8*	161348-QRD	Lower back stepless Ass.S3 QRD		1	PCS	5707292949318
	161348-D	Lower back stepless Ass. S.3,D		1	PCS	5707292949301
	161348	Lower back stepless Ass. S.3		1	PCS	5707292941947
9	161356	Lower Back Step Ass. S.3		1	PCS	5707292943996
11*	146278-SUP	Seat base-S.3,stepless cov. UP	Adv. seat, uden Pommel	1	PCS	5707292945198
	146278-DUP	Seat base-S.3, dynamic UP	Adv. seat, uden Pommel	1	PCS	5707292945181
	146278-D	Seat base-S.3, dynamic	Simple seat, with Pommel	1	PCS	5707292945167
12*	163534-70	Flip down S3, Left, w. cover		1	PCS	5707292948984
	163534-80	Flip down S3, Left, w. cover		1	PCS	5707292948991
13	153356	Hinge Ass. Basic - size 3		1	PCS	5707292940711
14	154712	Upper back ass. 220x220/260/300/340		1	PCS	5707292940261
15	154544	Upp.ba.ass.270x260/300/340/380		1	PCS	5707292940285
16	155257	Upp.ba.ass.340x300/340/380/420		1	PCS	5707292940346
17	153346-3	Recl.module Stepless size 3		1	PCS	5707292948335
18	155442	Basic recline module - steps size 3		1	PCS	5707292948304
19	158275	Basic recline module - fixed size 3		1	PCS	5707292948298
20*	153349-3AL	Dynamic recl. S.3 Hard adj. lo		1	PCS	5707292946959
	163096-3FL	Dynamic recl.S3 fix,hard lock		1	PCS	5707292946898
	153349-3A	Dynamic recl. S.3 Hard adj		1	PCS	5707292946942
21	163740-O80	Outer Knee supp. Left, S.2	With cover	1	PCS	5707292953094
22	162094	Advance seat plate size 3		2	PCS	5707292952370
23	163753-I80	Inner Knee supp. left, S.3	With Cover	1	PCS	5707292953223
* Choose size / color						

Position	No.	Description	Quantity	Unit of Measure	Ean code	
24*	158093-80	Pommel w. quick release s.2-3	Cover black Ipanima	1	PCS	5707292959959
	158093-70	Pommel w. quick release s.2-3	Cover Endurance	1	PCS	5707292959942
25	163746-180	Inner Knee supp. Right, S.3	With cover	1	PCS	5707292953148
26	162094	Advance seat plate size 3		2	PCS	5707292952370
27	163735-O80	Outher Knee supp. Right, S.2	With cover	1	PCS	5707292952738
28*	155173	Seat pit H55 x L170-300 x W200		2	PCS	5707292946263
	155172	Seat pit H40 x L150-260 x W200		2	PCS	5707292946256
29	155173	Seat pit H55 x L170-300 x W200		2	PCS	5707292946263
31	151910	Spacer f. add./abd.		4	PCS	5707292937100

* Choose size / color

Infant kit



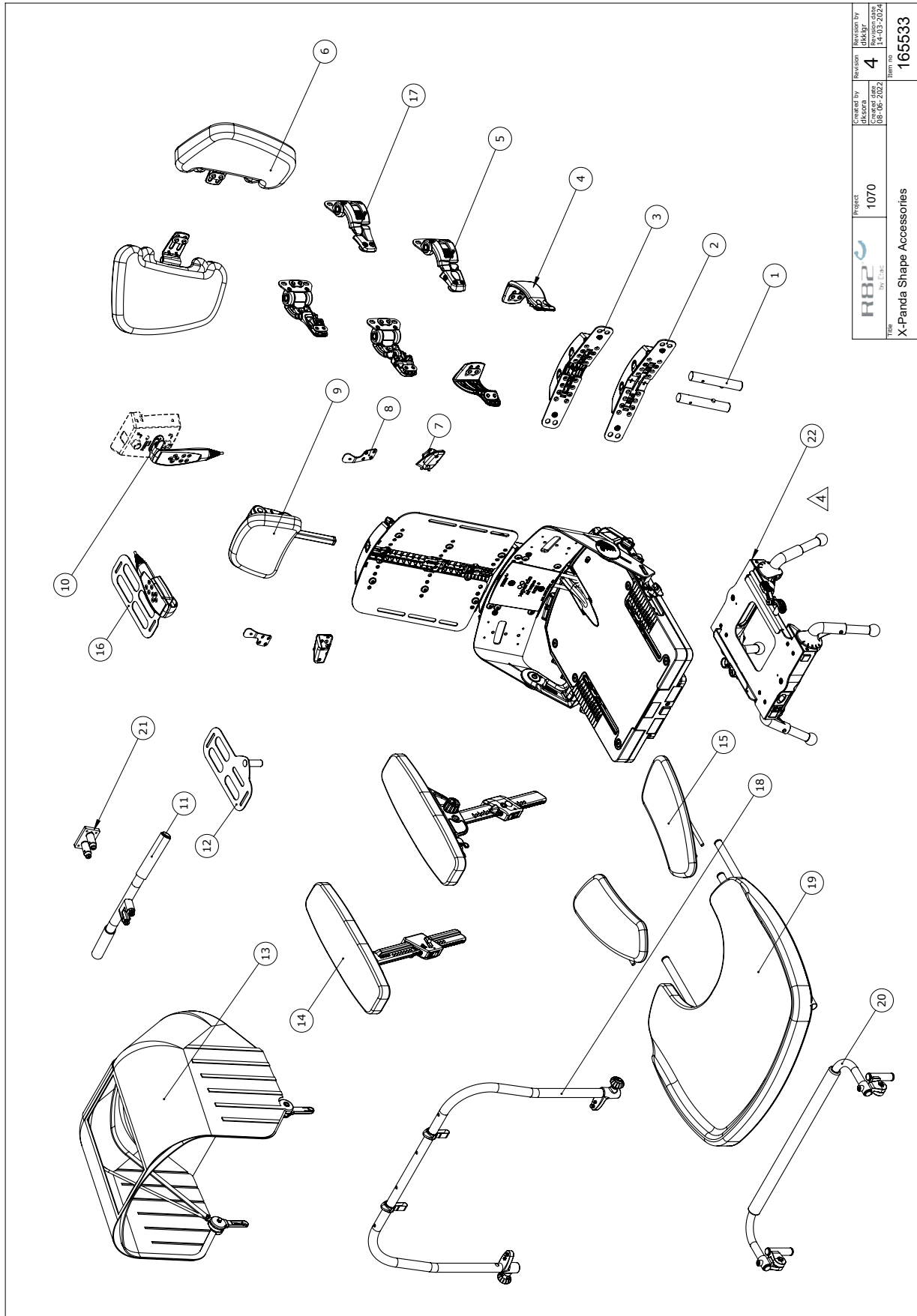
	Project	1070	Created by	dkkba	Revised by	dkkba	
	Rev. no.	2	Rev. no.	175	Rev. no.	175	
Item no.	163389	Item no.	163389	Item no.	163389	Item no.	163389
Item: Infant Kit							

Item numbers for Infant kit

Position	No.	Description	Quantity	Unit of Measure	Ean code	
1*	151653-10	Infant seating cushion, Pink	Colour 10	1	PCS	5707292957696
	151653-70	Infant seating cushion, black	Colour 70, Black Indurance	1	PCS	5707292957719
	151653-20	Infant seating cushion, L blue	Colour 20 Light Blue	1	PCS	5707292957702
1.1*	175162-10	Cover Infant kit size Infant	Pink	1	PCS	5707292997180
	175162-20	Cover Infant kit size Infant	Light blue	1	PCS	5707292997197
	175162-70	Cover Infant kit size Infant	Black	1	PCS	5707292997203
2	151827	Legsupport inlay f. infant kit		1	PCS	5707292957634
3	152629	Seat Cushion foam 30 mm	Infant Kit	1	PCS	5707292957658
4	152630	Seat Cushion wedge	Infant Kit	1	PCS	5707292957665
5	164550	Foam assembly Back Infant Kit		1	PCS	5707292957641
6	160866	Insert ass. upper back 180x140		1	PCS	5707292947932
7	151708-70	Cover for soft tray s. 320x190		1	PCS	5707292957535
8	151722	Soft tray Inlay ass. 320x190		1	PCS	5707292957504
9*	151898-70	Belt side support Infant kit	Colour 70	1	PCS	5707292957566
	151898-80	Belt side support Infant kit	Colour 80	1	PCS	5707292957573
9.1*	165170-70	Belt side supp. L. Infant kit	Colour 70 sort endurance	1	PCS	5707292960849
	165170-80	Belt side supp. L. Infant kit	Colour 80 black Ipanima	1	PCS	5707292960856
9+9.1*	164629-70	Infant kit, side sup.belt ass.	Cover Indurance	1	PCS	5707292964731
	164629-80	Infant kit, side sup.belt ass.		1	PCS	5707292964748
10	163906-UB	Infant kit side sup. belt ass.	Farve 80	1	PCS	5707292964724
11	164629	Infant kit side support belt assembly		1	PCS	5707292964731
12	163905	Infant kit side support assembly		1	PCS	5707292959188
13	161610	Infant Kit		1	PCS	5707292945204
13.1	175071	Flat seat base Infant Kit		1	PCS	5707292995421
14*	139329-BUPS	Seat base-S.1, Basic cover UP	Simple seat, no pommel	1	PCS	5707292972064
	139329-SUPS	Seat base-S.1,stepless cov. UP	Simple seat, no Pommel	1	PCS	5707292972248
	139329-DUPS	Seat base-S.1, for dynamic UP	Simple seat, no pommel	1	PCS	5707292972224
15	161165	Hinge Ass. Basic - size 1		1	PCS	5707292940353
16*	151777-QRD	Lower back steples ass S.1 QRD		1	PCS	5707292949110
	151777	Lower back stepless ass S.1		1	PCS	5707292941749
	151777-D	Lower back stepless ass S.1,D		1	PCS	5707292949103
17	147082	Upper back ass. 140x180/220	Phantom component	1	PCS	5707292940223
18*	161298-QR	Lower back step ass S.1 QR		1	PCS	5707292941770
	161298	Lower back step ass S.1		1	PCS	5707292941763
19	153346-1	Recl.module Stepless size 1		1	PCS	5707292948311
20	153345	Basic recl.module steps size 1		1	PCS	5707292948267
21	158265	Basic recl.module fixed size 1		1	PCS	5707292948250
22	164864-AL	Dynamic recl. S1 adj,Soft lock		1	PCS	5707292962003
23*	905021-10	Infant arm sup. kit incl cover	Pink	1	PCS	5707292995698
	905021-20	Infant arm sup. kit incl cover	Light blue	1	PCS	5707292995704
	905021-70	Infant arm sup. kit incl cover	Black wipeable	1	PCS	5707292995681
24	905067	Tray shape 9 with edge		1	PCS	5707292993304
25*	905047-10	Infant hip/arm sup incl cover	Pink	1	PCS	5707292995742
	905047-20	Infant hip/arm sup incl cover	Light blue	1	PCS	5707292995773
	905047-70	Infant hip/arm sup incl cover	Black wipeable	1	PCS	5707292995728

* Choose size / color

Accessories



	Project	1070	Revision by	Madrigal	14-03-2024
	Created by	DISCORA	08-06-2022	Revision	4
Title			Item no		
X-Panda Shape Accessories			165533		

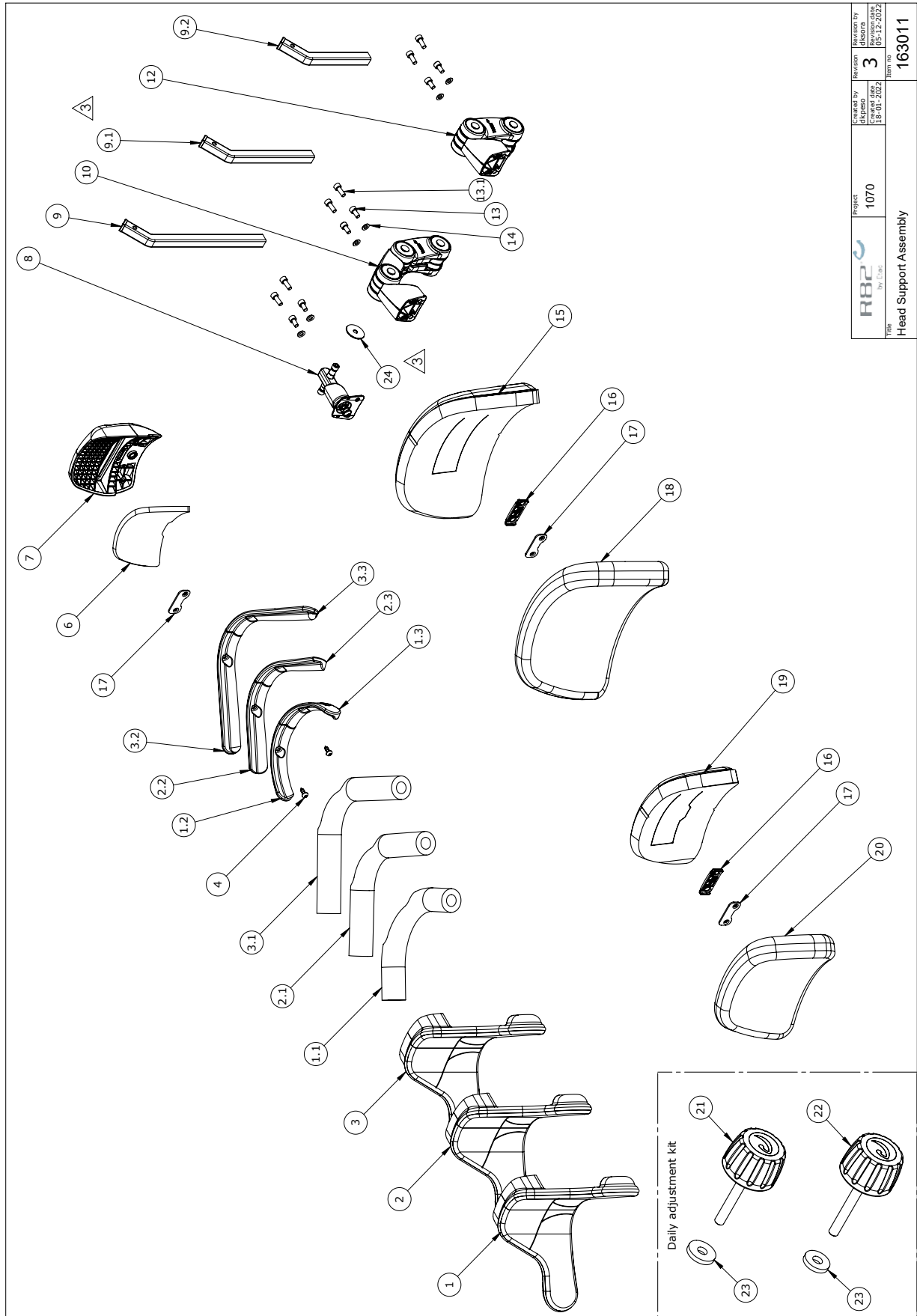
C:\PDA\Projects\1070\Exp_Access\165533

Item numbers for x:panda shape accessories

Position	No.	Description	Quantity	Unit of Measure	Ean code	
1	905059	Therapy tubes	1	PCS	5707292951458	
2	154682	Spacer Block - 3D adjustable	1	PCS	5707292946195	
3	154667	Spacer Block	1	PCS	5707292938343	
4*	163938	Fixed Side support - left	1	PCS	5707292953940	
	163936	Fixed Side support -right	1	PCS	5707292953933	
5	139399	Swing Away Side support (left & right)	1	SET	5707292927798	
6*	905017-70	Upper arm support, fixed. w/cover	140x180 black Indurance	1	SET	5707292950888
	905017-80	Upper arm support, fixed. w/cover	140x180 black Ipanima	1	SET	5707292950895
	905018-70	Upper arm support, fixed. w/cover	190x270 black Indurance	1	SET	5707292950901
	905018-80	Upper arm support, fixed. w/cover	190x270 black Ipanima	1	SET	5707292950918
	905019-70	Upper arm support, adj. w/cover	140x180 black Indurance	1	SET	5707292950925
	905019-80	Upper arm support, adj. w/cover	140x180 black Ipanima	1	SET	5707292950932
	905020-70	Upper arm support, adj. w/cover	190x270 black Indurance	1	SET	5707292950949
7	905058	Extension bracket for Fix-lock - Wider	1	SET	5707292951434	
8	8910260	Extension bracket for Fix-lock	1	SET	5707292466273	
9	N/A	see "Head support assembly" on page 32	N/A	N/A	N/A	
10	905030	Holder for remote -mounted on the back	1	PCS	5707292951090	
11*	905070	Push brace size 1	1	PCS	5707292951564	
	905071	Push brace size 2	1	PCS	5707292951571	
12*	905033-1	Com. device armsupport bracket	1	PCS	5707292965417	
	905033-2	Com. device armsupport bracket	1	PCS	5707292965639	
	905033-3	Com. device armsupport bracket	1	PCS	5707292965646	
13*	8740110	Canopy size 1	1	PCS	5707292611468	
	8740120	Canopy size 2	1	PCS	5707292611475	
14	see "Arm supports size 4, incl. cover" on page 34, see "Arm supports size 4, excl. cover" on page 36, see "Arm supports size 1, 2 & 3 incl. cover" on page 38, see "Arm supports size 1, 2 & 3, excl. cover" on page 40		N/A	N/A	N/A	
15	8910730	Armrest for tray	1	SET	5707292457882	
16*	905030-1	Holder for remote	1	PCS	5707292951083	
	905030-2	Holder for remote	1	PCS	5707292965592	
	905030-3	Holder for remote	1	PCS	5707292965608	
17*	146375-L	Swing Away - SLIM L	1	PCS	5707292926982	
	146375-R	Swing Away - SLIM R	1	PCS	5707292926975	
18*	8910740	Toy bar for tray	1	PCS	5707292457899	
	8910742	Angling kit for toy bar	1	PCS	5707292565570	
19*	8910720-1	Tray, swing away, size 1	grey	1	PCS	5707292457844
	8910720-2	Tray, swing away, size 2	grey	1	PCS	5707292457851
	8910725-1	Tray, two rod system, size 1	grey	1	PCS	5707292457868
	8910725-2	Tray, two rod system, size 2	grey	1	PCS	5707292457875
	8910725-5	Tray, two rod system, size 2	grey	1	PCS	5707292483768
20	8910750	Grip handle for tray	1	PCS	5707292486622	
21	87590-1	Head support bracket for i2i	1	PCS	5707292988423	
22	821111	Floor Frame	1	PCS	5707292990730	

* Choose size / color

Head support assembly



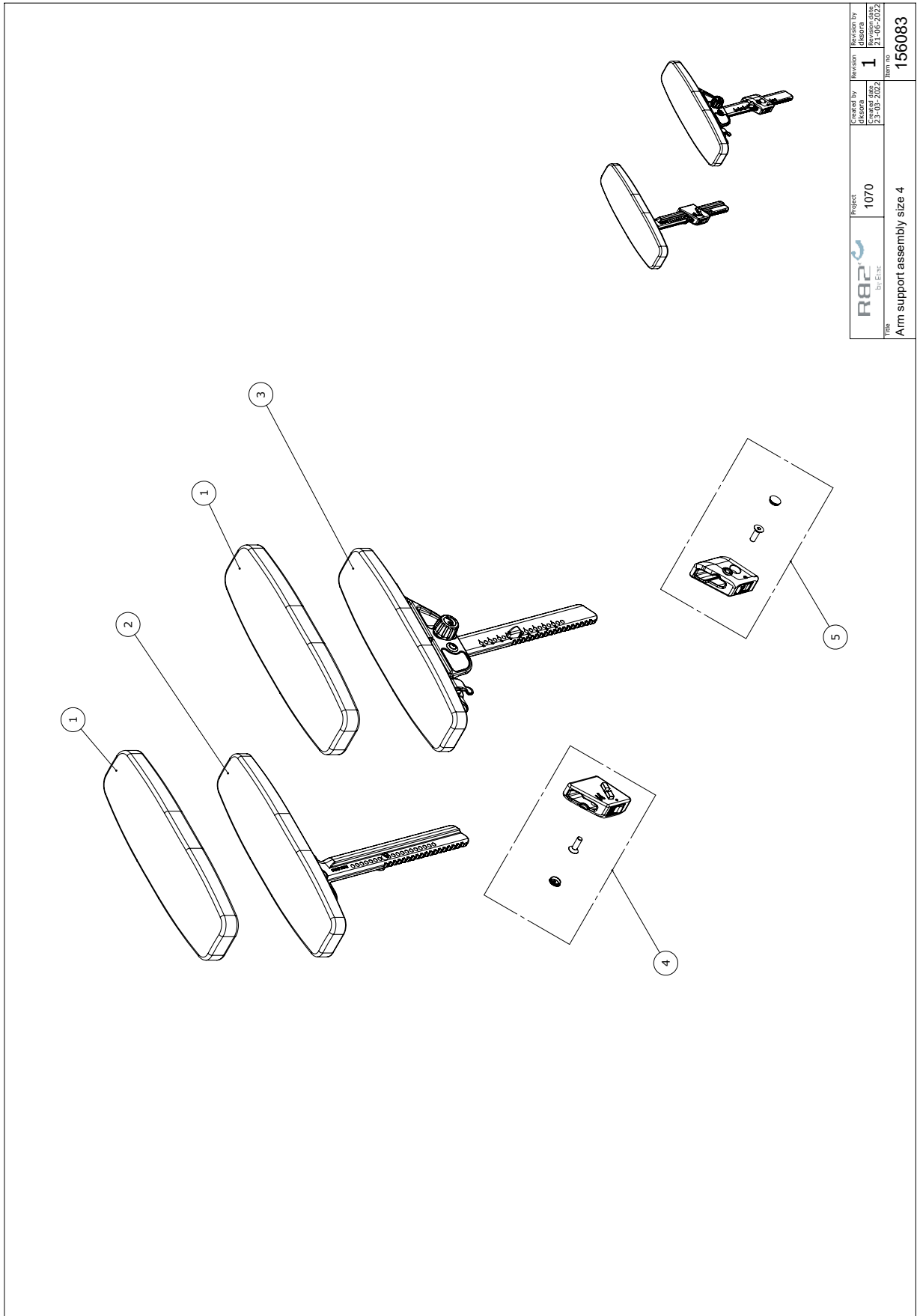
 R82 by Etac	Project	1070	Created by	dkp@etac	Revision by	dkp@etac	
	Item	Head Support Assembly	18-01-2022	18-01-2022	3	15-12-2021	
						Item no	163011

Item numbers for Head support assembly

Position	No.	Description		Quantity	Unit of Measure	Ean code
1*	151109-80	Cover anat.head sup.240x130	Cover Indurance	1	PCS	5707292960689
	151109-70	Cover anat.head sup.240x130	Cover Indurance	1	PCS	5707292960672
1.1	6175202	Foam tube anat. headsup. s.1		1	PCS	5707292436405
1.2	71451	Neck support left size 1		1	PCS	5707292415998
1.3	71452	Neck support right size 1		1	PCS	5707292416001
2*	153073-70	Cover anat.head sup.260x130	Cover Indurance	1	PCS	5707292960696
	153073-80	Cover anat.head sup.260x130	Cover Ipanima	1	PCS	5707292960702
2.1	6175206	Foam tube anat. headsup. s.2		1	PCS	5707292436429
2.2	71453	Neck support left size 2		1	PCS	5707292416018
2.3	71454	Neck support right size 2		1	PCS	5707292416025
3*	153074-70	Cover anat.head sup.320x130	Cover Indurance	1	PCS	5707292960719
	153074-80	Cover anat.head sup.320x130	Cover Ipanima	1	PCS	5707292960726
3.1	6175204	Foam pipe f. anatomic headrest	Size 3	1	PCS	5707292436412
3.2	71455	Neck support left size 3		1	PCS	5707292416032
3.3	71456	Neck support right size 3		1	PCS	5707292416049
4	1940027	Ecosyn phx 5x14 Torx FZB	M5x14-pn-fzb-torx	2	PCS	5707292577818
6	5502647	Udsk.neopren t/ana.hovedst.	Anatomisk hovedstøtte	1	PCS	5707292418142
6+7	5700262	Oplime basisplade hovedstøtte	Anatomisk hovedstøtte	1	PCS	5707292964373
7	153812	Anatomic Headrest plate		1	PCS	5707292949424
8	138876	3D Head Support mount	for headrest	1	PCS	5707292946102
9	167362	Turtle bar long		1	PCS	5707292971081
9.1	167361	Turtle bar Medium		1	PCS	5707292971098
9.2	167360	Turtle bar short		1	PCS	5707292971104
10	149416	Turtle bar system extended		1	PCS	5707292960399
12	149371	Turtle bar system standard	For Headrest	1	PCS	5707292964687
13	0602190	Insex screw 6x12		2	PCS	5707292138088
13.1	0602200	Insex screw 6x16		2	PCS	5707292138095
14*	1103000	Fazet washer 6mm		2	PCS	5707292140289
	1103000	Fazet washer 6mm		2	PCS	5707292140289
15	158271	Curved head supp.	H:160xW:260	1	PCS	5707292964984
16*	149635	Base for double nut		1	PCS	5707292949431
	149635	Base for double nut		1	PCS	5707292949431
17	139536	Double nut M6 - L34		1	PCS	5707292935779
18*	153446-70	Cover Head support size260x160	Indurance	1	PCS	5707292960597
	153446-80	Cover Head support size260x160	Black Ipanima	1	PCS	5707292960603
19	158279	Curved head supp.	H:130xW:180	1	PCS	5707292964977
20*	153445-80	Cover Head support size180x130	Black Ipanima	1	PCS	5707292960580
	153445-70	Cover Head support size180x130	Indurance	1	PCS	5707292960573
21	149393	R82 handle M6 x 40		1	PCS	5707292960450
22	149402	R82 handle M6 x 45		1	PCS	5707292960443
23	1125618	Screenwasher fz6x18x3mm		2	PCS	5707292140494
24	138215	Washer 6x30x1,5 black		1	PCS	5707292940544
MODUL	5099021	Curved hovedstøtte str.1		1	PCS	5707292964519
MODUL	5099022	Curved hovedstøtte str.2		1	PCS	5707292964526
MODUL	5099023	Anatomisk hovedstøtte str.3		1	PCS	5707292964533

* Choose size / color

Arm supports size 4, incl. cover



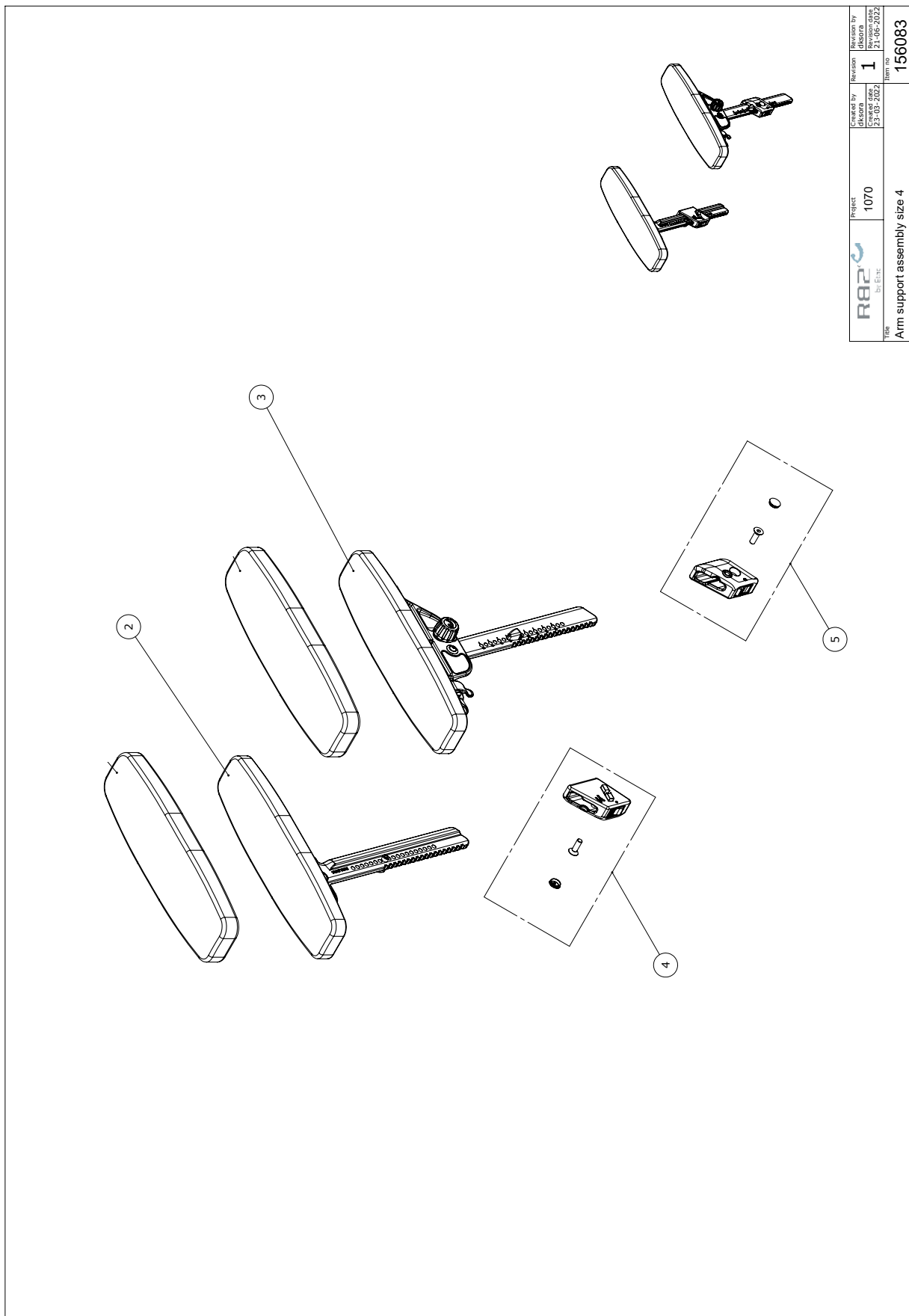
Revision	1	Created by	dklara	Revision by	dklara
Project	1070	Created on	23-03-2022	Revision date	21-06-2022
R82 [®] by Etac			Item no		
Title			156083		
Arm support assembly size 4					

C:\EPDM\Projects\1070\Accessories\Arms\156083

Item numbers for Arm supports size 4, incl. cover (905016-70, 905016-80)

Position	No.	Description	Quantity	Unit of Measure	Ean code	
1*	156094-70	Cover L/R Arm support 100x380	Colour 70, Black Indurance	2	PCS	5707292959614
	156094-80	Cover L/R Arm support 100x380	Colour 80, Black Ipanima	2	PCS	5707292959621
2	155720	Arm support size 4, right		1	PCS	5707292965752
3	155721	Arm support size 4, Left		1	PCS	5707292965806
4	155338	Release housing, Right - S.2-3		1	PCS	5707292944320
5	155342	Release housing, Left - S.2-3		1	PCS	5707292944313
* Choose size / color						

Arm supports size 4, excl. cover



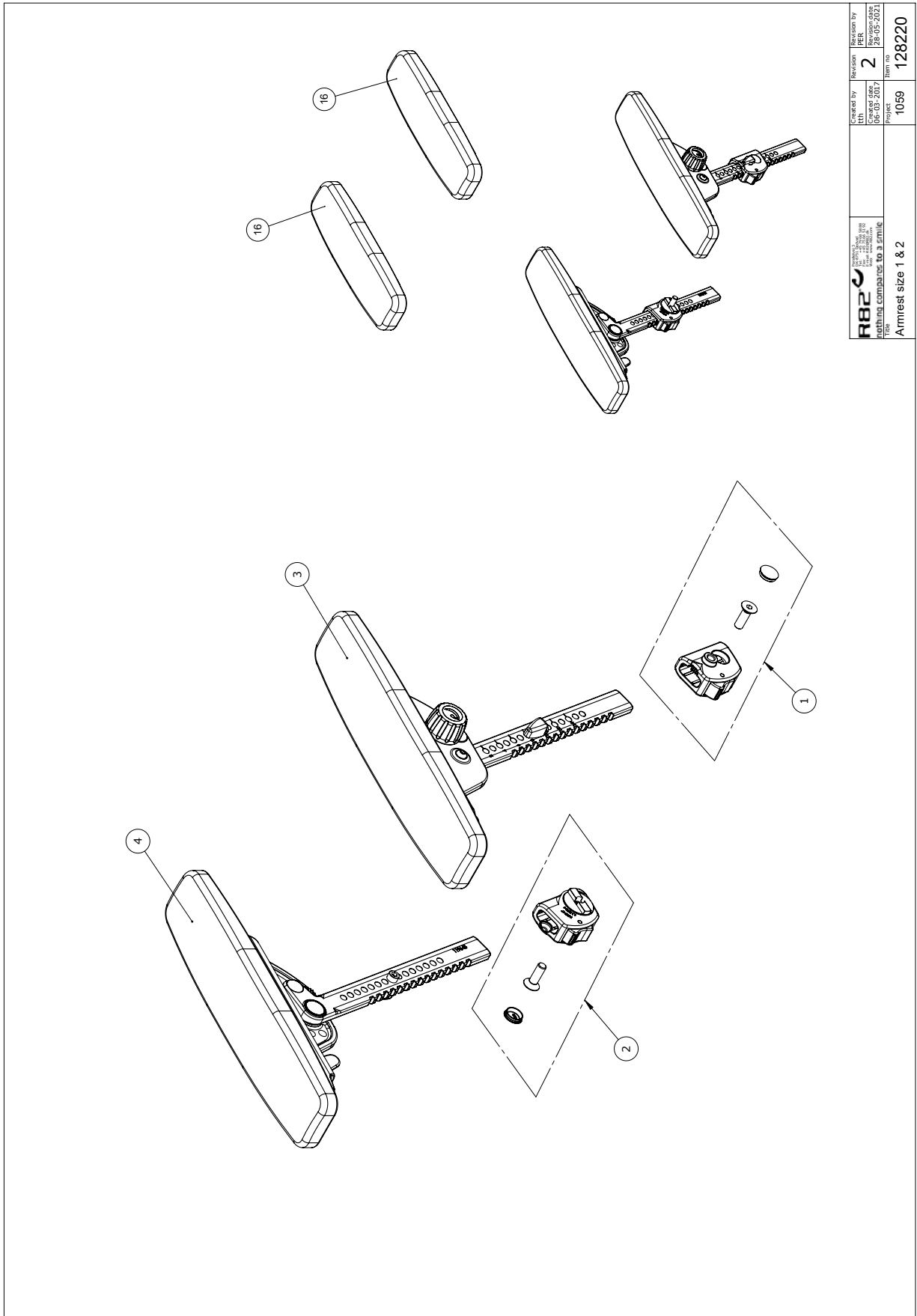
R82[®] by Etac	Project 1070	Created by dkisorn 23-03-2022	Revision 1	Revision by dkisorn 21-06-2022
Title Arm support assembly size 4			Item no 156083	

C:\EPDM\Projects\1070\Accessories\Arms\156083

Item numbers for Arm supports size 4, excl. cover (905016-00)

Position	No.	Description	Quantity	Unit of Measure	Ean code
2	155720	Arm support size 4, right	1	PCS	5707292965752
3	155721	Arm support size 4, Left	1	PCS	5707292965806
4	155338	Release housing, Right - S.2-3	1	PCS	5707292944320
5	155342	Release housing, Left - S.2-3	1	PCS	5707292944313
* Choose size / color					

Arm supports size 1, 2 & 3 incl. cover



 R82 A/S Parallelvej 3 8751 Gedved Denmark nothing compares to a emile	Checked by CHD Created date: 08-03-2017	Revision 2 Approved date: 28-05-2021	Prepared by PER Project no. 1059	Part no. 128220
	Armrest size 1 & 2			

C:\EPDM\Produk 128220\Arme\0128220

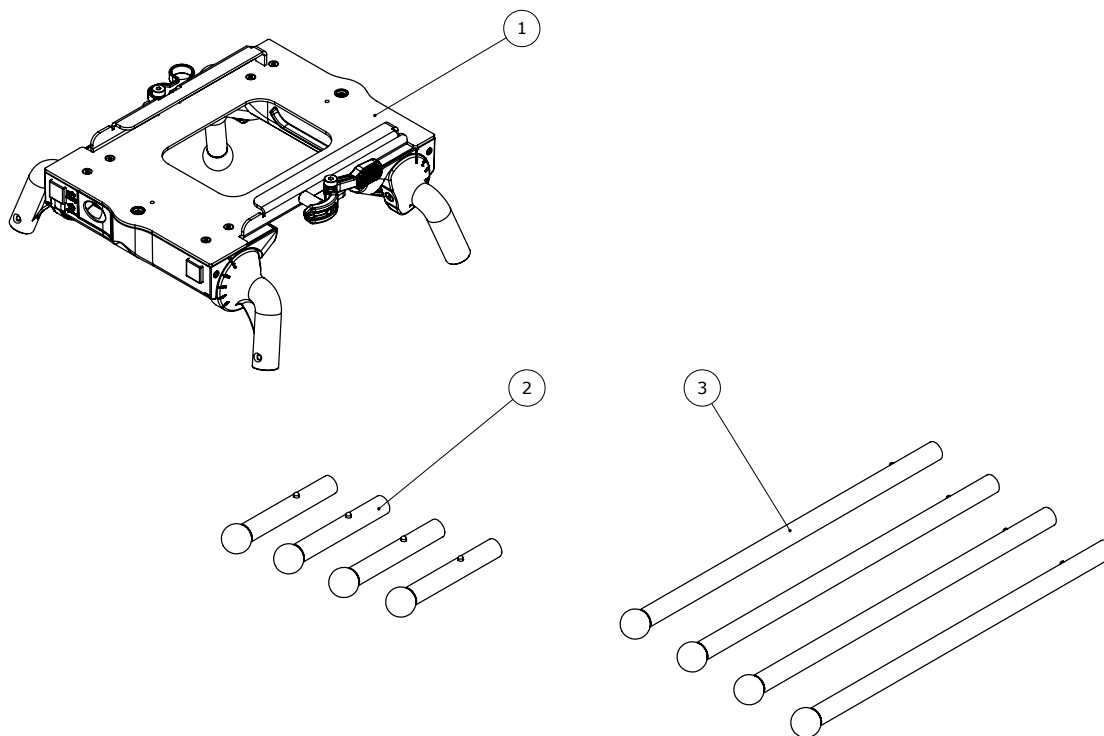
Item numbers for Arm supports size 4, incl. cover (905013-70, 905013-80, 905014-70, 905014-80, 905015-70, 905015-80)

Position	No.	Description	Quantity	Unit of Measure	Ean code	
1	116980	Release housing, left	1	PCS	5707292786395	
2	120258	Release housing, Right	1	PCS	5707292786401	
3*	118979	Armrest size 1 left	1	PCS	5707292785572	
	128458	Armrest size 1 Tooth bar s.2 L	Left	1	PCS	5707292810267
	117344	Armrest size 2, L tooth bar s3		1	PCS	5707292786074
4*	118992	Armrest size 1 right	1	PCS	5707292786067	
	128457	Armrest size 1 Tooth bar s.2 r	Right	1	PCS	5707292810250
	116760	Armrest Size 2, right		1	PCS	5707292785893
16*	156090-70	Cover L/R Arm support 75x260	Colour 70, Black Indurance	2	PCS	5707292959577
	156090-80	Cover L/R Arm support 75x260	Colour 80, Black Ipanima	2	PCS	5707292959584
	156091-70	Cover L/R Arm support 75x310	Colour 70, Black Indurance	2	PCS	5707292959591
	156091-80	Cover L/R Arm support 75x310	Colour 80, Black Ipanima	2	PCS	5707292959607
* Choose size / color						

Item numbers for Arm supports size 1, 2 & 3, excl. cover (8910615-1/8910616-1/8910617-1)

Position	No.	Description	Quantity	Unit of Measure	Ean code
1	116980	Release housing, left	1	PCS	5707292786395
2	120258	Release housing, Right	1	PCS	5707292786401
3*	118979	Armrest size 1 left	1	PCS	5707292785572
	128458	Armrest size 1 Tooth bar s.2 Left	1	PCS	5707292810267
	117344	Armrest size 2, L tooth bar s3	1	PCS	5707292786074
4*	118992	Armrest size 1 right	1	PCS	5707292786067
	128457	Armrest size 1 Tooth bar s.2 right	1	PCS	5707292810250
	116760	Armrest Size 2, right	1	PCS	5707292785893
* Choose size / color					

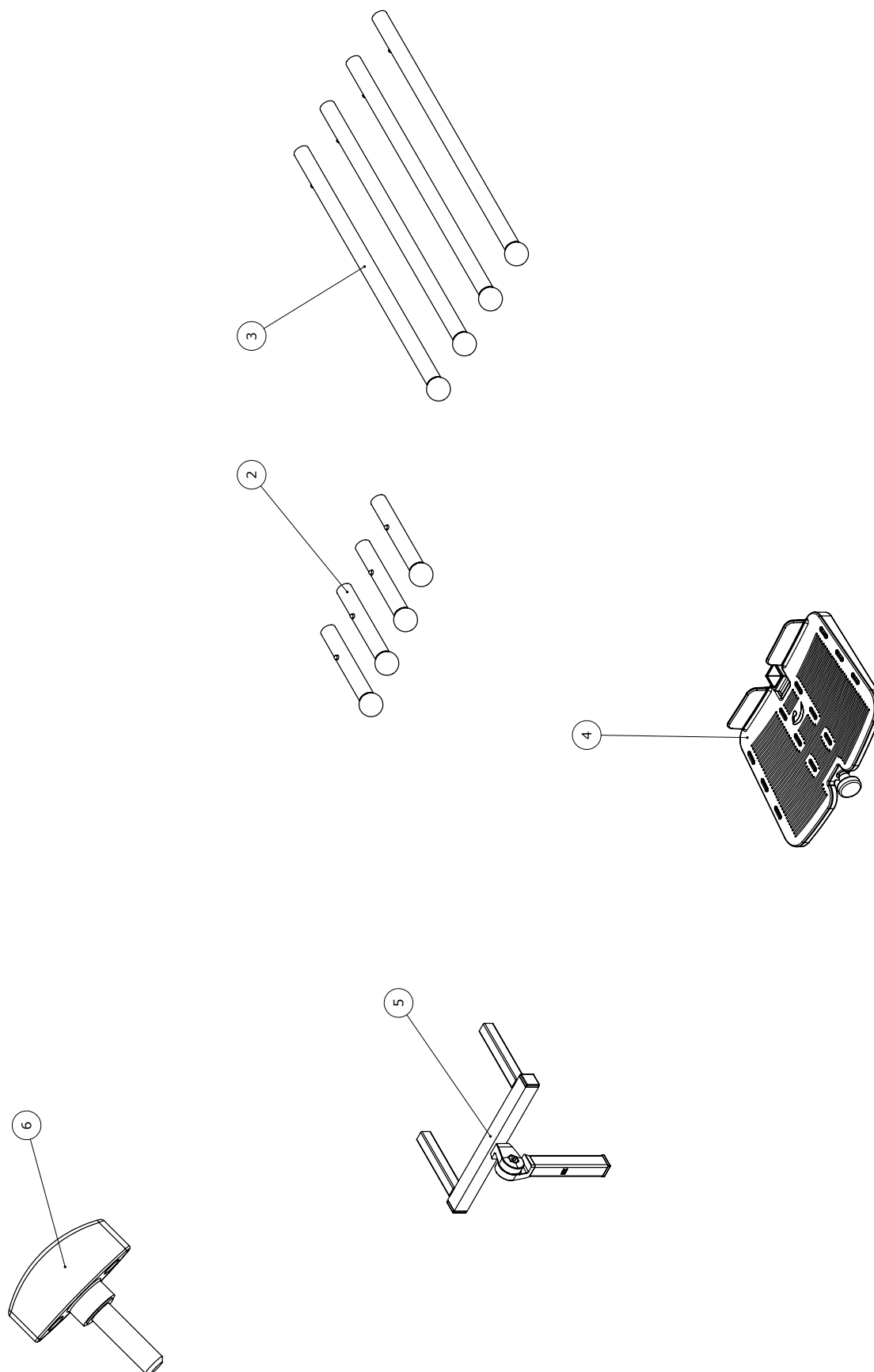
Floor Frame



Item numbers for Floor Frame (821111)

Position	No.	Description	Quantity	Unit of Measure	Ean code
1	821111	Floor Frame	1	PCS	5707292990730
2		Incl.:			
3		Short legs Long legs			

Floor Frame accessories



Item numbers for Floor Frame accessories

Position	No.	Description	Quantity	Unit of Measure	Ean code
2	821001-01	Short leg, 1 pcs	4	PCS	5707292990761
3	82002-02	Long legs, 2 pcs	2	PCS	5707292990754
4	95145-00	Foot plate sz 0 w/o mount rod Model Wombat	1	PCS	5707292995650
	95145-01	Foot plate sz 1 w/o mount rod Model Wombat	1	PCS	5707292995667
5	8910820-0	Rod for footrest, sz l:110	1	PCS	5707292990747
	8910820-1	Rod for footrest, sz 1,155 mm	1	PCS	5707292457936
6	8910809	Daily adj. f. foot sup	1	PCS	5707292992949