

Toucan

Exploded views / Part lists

Rev. date (2024.01)

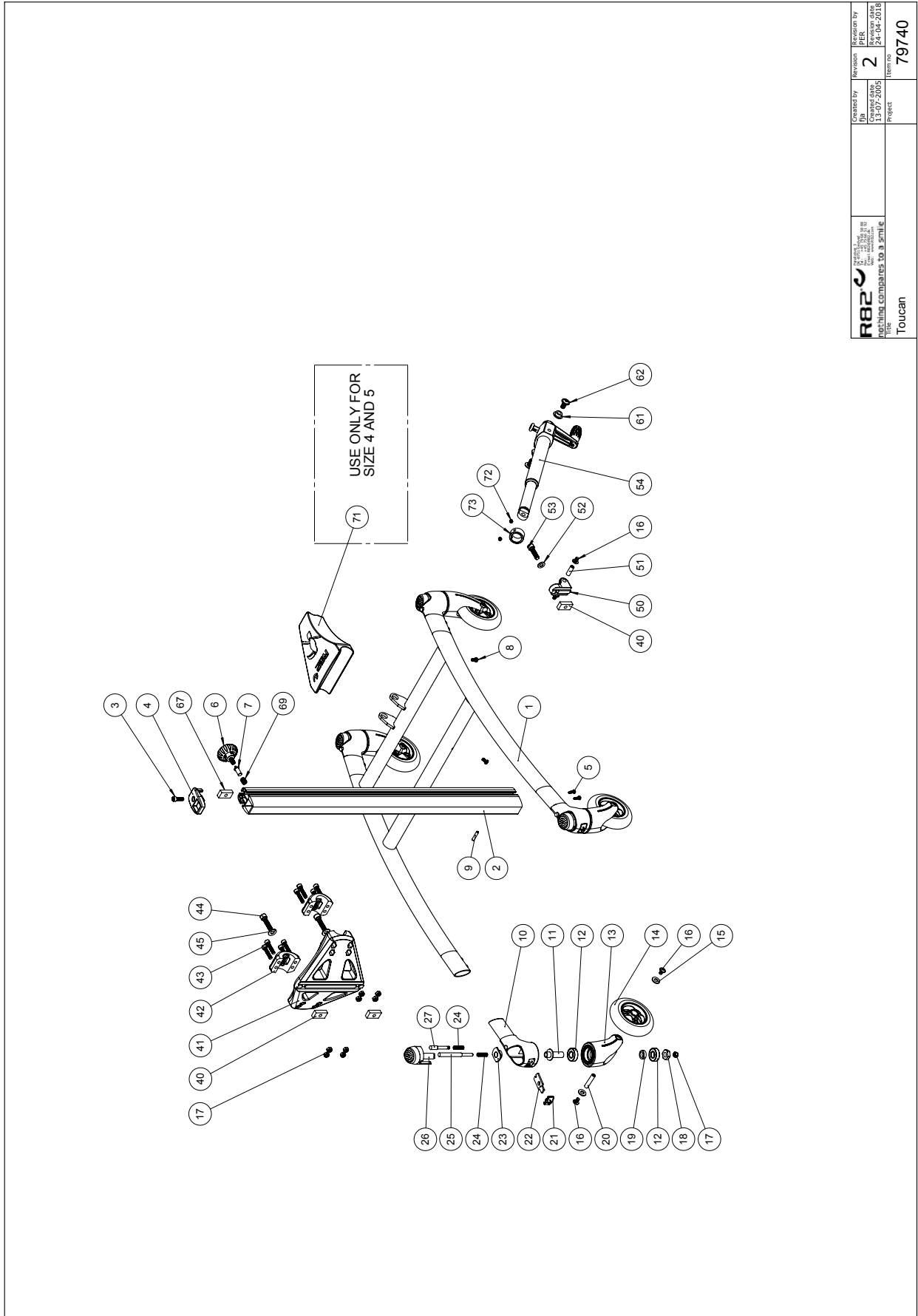
On the following pages you will find the parts used to assemble this product. Please note that some spare parts cannot be purchased individually but are part of a complete kit. Please also note that for some spare parts extra delivery time may occur.



Contents

Toucan	3
Item numbers for Toucan.....	4
Knee- and foot supports and heel stop	6
Item numbers for Knee- and foot supports and heel stop	7
Hip-, chest-, back- and abdominal supports	10
Item numbers for Hip-, chest-, back- and abdominal supports.....	11
Arm rest and tray.....	14
Item numbers for Arm rest and tray.....	15

Toucan



 Nothing compares to a smile Title: Toucan	Created by DB 13-07-2005	Revision 2	Revision by RPK 24-04-2016
	Project	Term no 79740	Item no

C:\EDM\Toucan\Broschur\Toucan\19740

Item numbers for Toucan

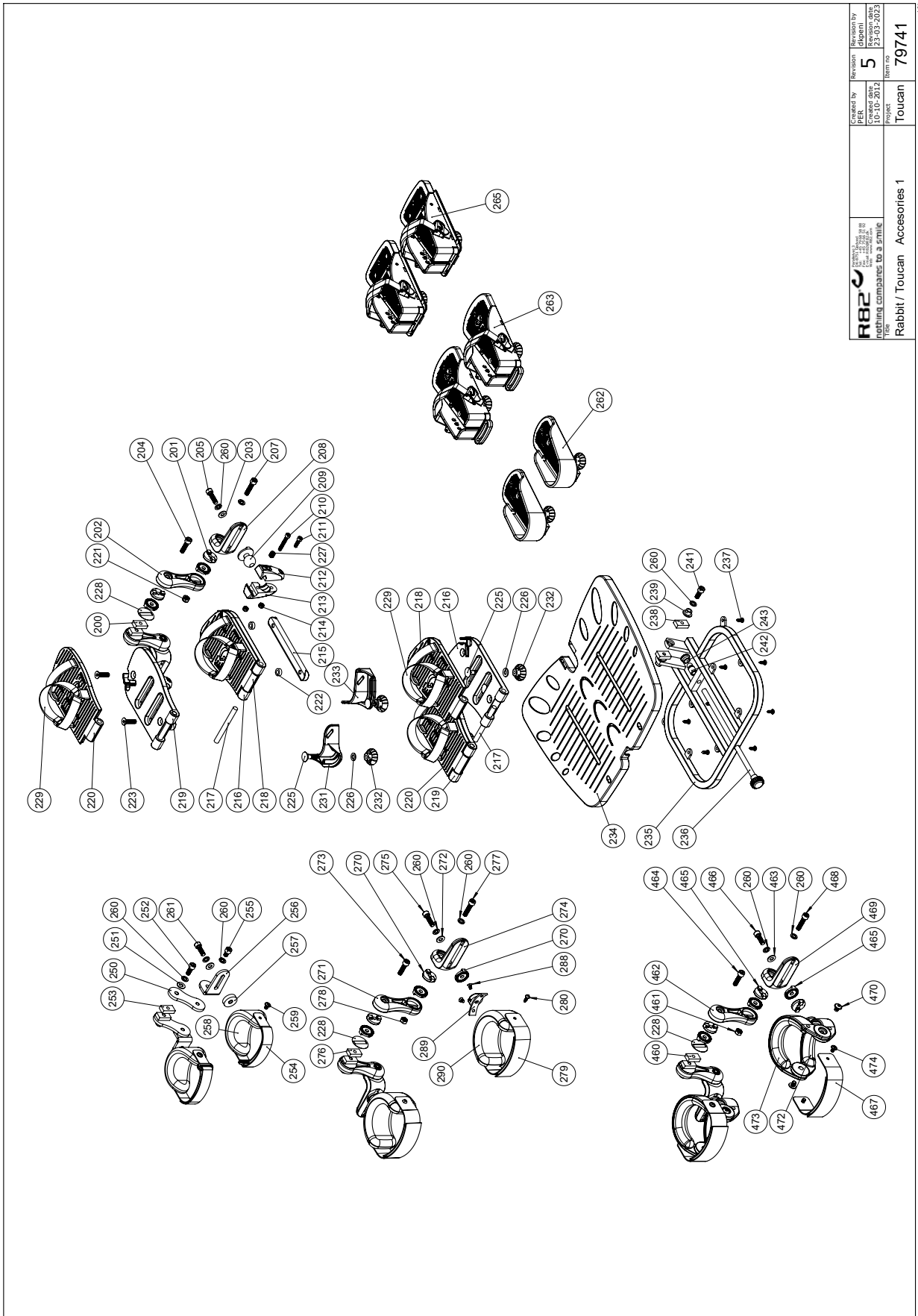
Position	No.	Description	Unit of Measure	Quantity	Ean code
1*	72811-31	Frame size 1, red	PCS	1	5707292762979
	72812-32	Frame size 2 & 3, blue	PCS	1	5707292762955
	72813-54	Frame size 3+4, silver	PCS	1	5707292420428
2*	72601	Profile size 1	PCS	1	5707292406217
	72602	Profile size 2	PCS	1	5707292406149
	72603	Profile size 3	PCS	1	5707292420503
3	0602200	Insex screw 6x16	PCS	1	5707292138095
4	72610	Plug for pile	PCS	1	5707292420718
5	1940034	Eco-drill M4,2x22	PCS	8	5707292423115
6	3502545	R82 handle dia.45 M8x15mm	PCS	1	5707292450456
7	72611	Trust pad	PCS	1	5707292450500
8*	1902730	CROSSHEAD SCREW M5X10, FZB	PCS	4	5707292433084
	1902730	Crosshead screw M5x10, FZB	PCS	4	5707292433084
9	0589230	Stainless spring pin 5x30	PCS	1	5707292436603
10	73600	Holder, for wheel	PCS	1	5707292420459
11	73608	Bearing bush	PCS	1	5707292419668
12	2985210	Ball bearing 02 6001 2rs	PCS	2	5707292379412
13	73601	Wheel fork	PCS	1	5707292420466
14	3030000-1	4" PU skater Wheel - dark grey	PCS	1	5707292620026
15	1310717	Nylon washer, nat o17-8,4x2mm	PCS	2	5707292140821
16	0659010	Button head with flange M6x10	PCS	2	5707292356819
17	1606500	Lock nut 6 mm	PCS	8	5707292141361
18	1761200	Versus nut 12x1, fine threaded	PCS	1	5707292141545
19	73609	Distance bush	PCS	1	5707292419675
20	73610	Axle	PCS	1	5707292419682
21	73603	Snap for wheel	PCS	1	5707292420480
22	73605	Latch plate	PCS	1	5707292418500
23	73616	Nut M12x1	PCS	1	5707292419705
24	0310100	Pressure spring 0,9x8x23x10,5v	PCS	2	5707292135513
25	73606	Brake shaft	PCS	1	5707292419644
26	73602	Brake pushbutton	PCS	1	5707292420473
27	73607	Release pin	PCS	1	5707292419651
40	72694	Slidebar	PCS	3	5707292407931
41+42	5086120	Mounting plate w/bearing shell	SET	1	5707292497253
43	0602401	Insex screw 6x30	PCS	8	5707292138125
44	0603000	Insex screw 8x35	PCS	2	5707292138217
45	1102010	Face plate 8,4x18x2mm, FZB	PCS	2	5707292429766
50	72701	Knee joint	PCS	1	5707292420824
51	72702	Shaft	PCS	1	5707292407924
52	1103200	Fazet washer 8mm	PCS	1	5707292140296
53	0602600	Insex 8x30	PCS	1	5707292138170
54	5086100	Spindel mounted toucan/rabbit	PCS	1	5707292420817
61	72878	Bush for holder	PCS	2	5707292418678
62	0661501	Button head w/flange 8x16	PCS	2	5707292139566
67	72694	Slidebar	PCS	1	5707292407931
69	0310521	Compression spring 1.2x8	PCS	1	5707292450463
71	72715	Support bracket	PCS	1	5707292424327

*choose size/type/color

Position	No.	Description	Unit of Measure	Quantity	Ean code
72	0700050	Stopscrew M6x6 rf	PCS	2	5707292355898
73	73823	Adjuststing ring for spindle	PCS	1	5707292445780

*choose size/type/color

Knee- and foot supports and heel stop



R82 Rabbit / Toucan Accessories 1	Created by PER	Revised by 5 dipren	Created date 10-10-2012	Revision date 27-07-2023
Drawing compared to a similar part no.			Part no. 79741	

Item numbers for Knee- and foot supports and heel stop

Position	No.	Description	Quantity	Unit of Measure	Ean code
200	72694	Slidebar	2	PCS	5707292407931
201	74062	Toothed disk 30x14	8	PCS	5707292377951
202	72712	Knee joint	2	PCS	5707292420756
203	1102010	Face plate 8,4x18x2mm, FZB	2	PCS	5707292429766
204	0602600	Insex 8x30	2	PCS	5707292138170
205	0602700	Insex screw 8x25	2	PCS	5707292138187
207	0603000	Insex screw 8x35	2	PCS	5707292138217
208	72713	Bracked	2	PCS	5707292420763
209	72721	Ballhead	2	PCS	5707292428875
210	0602440	Insex M6x40 FZB	2	PCS	5707292138149
211	0602300	Insex screw 6x20	2	PCS	5707292138101
212	72723	Ball joining left	2	PCS	5707292421814
213	72724	Ball joining right	2	PCS	5707292421845
214	1606500	Lock nut 6 mm	4	PCS	5707292141361
215	72722	Bracket for flip upp sandal	2	PCS	5707292406163
216*	72934	Footplate size 1, right, fixed	1	PCS	5707292428905
	72937	Footplate size 2, right, fixed	1	PCS	5707292428950
	72940	Footplate size 3, left, mobile	1	PCS	5707292438959
217*	72709	Shaft size 1, flip upp	2	PCS	5707292428981
	72708	Shaft size 2, flip upp	2	PCS	5707292428998
	72707	Shaft size 3, flip up	2	PCS	5707292440730
218*	72933	Footplate size 1, right,mobile	1	PCS	5707292428899
	72938	Footplate size 2, right,mobile	1	PCS	5707292428967
	72942	Footplate size 3, right	1	PCS	5707292438928
219*	72932	Footplate size 1, left, fixed	1	PCS	5707292428929
	72935	Footplate size 2, left, fixed	1	PCS	5707292428936
	72939	Footplate size 3, left	1	PCS	5707292438935
220*	72931	Footplate size 1, left, mobile	1	PCS	5707292428912
	72936	Footplate size 2, left, mobile	1	PCS	5707292428943
	72941	Footplate size 3, right, fixed	1	PCS	5707292438942
221	1607000	Lock nut 8mm, large pack	2	PCS	5707292141378
222	1310541	Distance piece 1878,2x5mm	4	PCS	5707292429926
223	0625000	Insex screw counters. 8x30	4	PCS	5707292139085
225	1905600	Board bolt 8x30mm	4	PCS	5707292142337
226	1102010	Face plate 8,4x18x2mm, FZB	4	PCS	5707292429766
227	0701010	Set screw M10x10 w/flat end	2	PCS	5707292434098
228	72717	Disk for footrest	2	PCS	5707292434760
229*	5540520	Footstrap for flip up size 1	1	SÆT	5707292435538
	5540525	Footstrap for flip up size 2+3	1	SÆT	5707292435545
	5540530	Footstrap for flip up size 3	1	SÆT	5707292438171
231*	72696	Heelunit, heelsupport right	1	PCS	5707292421715
	72710	Heel support size 2, right	1	PCS	5707292436832
232	3501501	R82 handle M8x15mm nut	4	PCS	5707292413949
233*	72697	Heelunit, heelsupport left	1	PCS	5707292421722
	72711	Heel support size 2, left	1	PCS	5707292436849
234*	72685	Footplate size 1, Toucan	1	PCS	5707292420596
	72684	Footplate size 2, Toucan	1	PCS	5707292420626

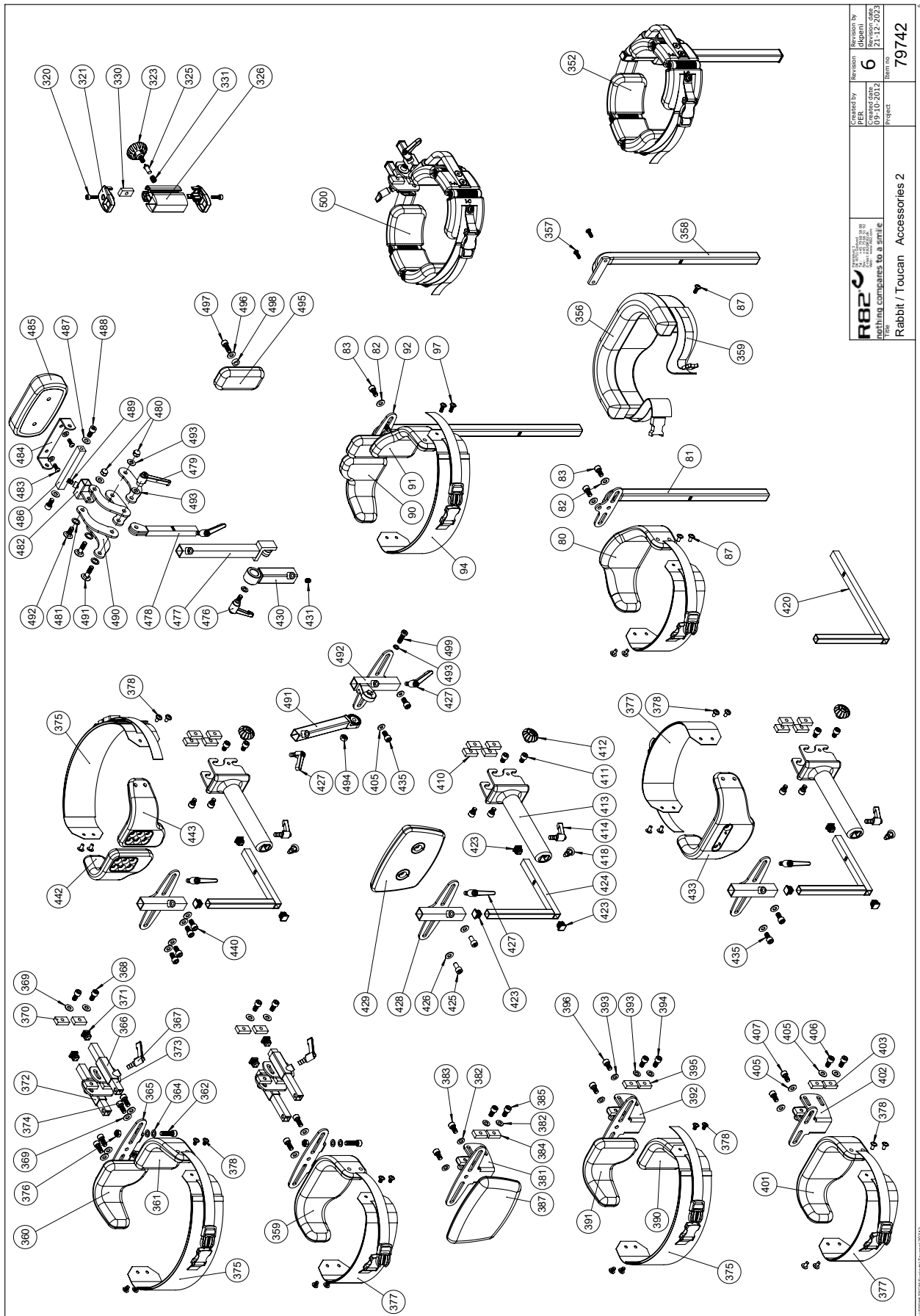
*choose size/type /color

Position	No.	Description	Quantity	Unit of Measure	Ean code
235*	72690	Carryprofile, size 1 footplate	1	PCS	5707292420572
	72681	Carryprofile, size 2 footplate	1	PCS	5707292406231
236*	3502790	Hand grip 28mm, M10x196mm	1	PCS	5707292363152
	72698	Spindle, footrest size 2	1	PCS	5707292420787
237	1940027	Ecosyn phx 5x14 Torx FZB	8	PCS	5707292577818
238	72694	Slidebar	2	PCS	5707292407931
239	72686	Bush for footrest, Toucan	2	PCS	5707292420534
241	0602850	Insex M8x22, FZB	2	PCS	5707292435408
242	72703	End bush with ball	1	PCS	5707292428523
243	72704	Thrust pad	1	PCS	5707292428530
250	72861	Arm	2	PCS	5707292420701
251	1102010	Face plate 8,4x18x2mm, FZB	4	PCS	5707292429766
252	0602800	Insex screw 8x20	2	PCS	5707292138194
253	72694	Slidebar	2	PCS	5707292407931
254	5540515	Strap size 1, knee supp.toucan	2	PCS	5707292434449
255	0602500	insex screw 8x12	2	PCS	5707292138163
256	72862	Angle	2	PCS	5707292420657
257	72863	Disc, for kneesupport	2	PCS	5707292420725
258	72860	Kneesupport size 1	2	PCS	5707292420732
259	0659010	Button head with flange M6x10	4	PCS	5707292356819
260	1101000	Center spring washer 8mm	4	PCS	5707292140173
261	0602700	Insex screw 8x25	2	PCS	5707292138187
262	86149	Formed foot plates, set, 175 mm long	1	PCS	5707292574787
	86147	Formed foot plates, set, 215 mm long	1	PCS	5707292128812
	86148	Formed foot plates, set, 240 mm long	1	PCS	5707292128829
263	869490	Sandaler small	1	PCS	5707292795274
270	74062	Toothed disk 30x14	10	PCS	5707292377951
271	72712	Knee joint	2	PCS	5707292420756
272	1102010	Face plate 8,4x18x2mm, FZB	2	PCS	5707292429766
273	0602600	Insex 8x30	2	PCS	5707292138170
274	72713	Bracked	2	PCS	5707292420763
275	0602600	Insex 8x30	2	PCS	5707292138170
276	72694	Slidebar	2	PCS	5707292407931
277	0603000	Insex screw 8x35	2	PCS	5707292138217
278	1607000	Lock nut 8mm, large pack	2	PCS	5707292141378
279	5540220	Girth for kneesupport,size 2+3	2	PCS	5707292178206
280	0640913	Button head/flange M5x10 FZB	4	PCS	5707292558985
288	0631860	Insex 5x10, FZB	4	PCS	5707292139191
289	72716	Tooth brace	2	PCS	5707292420770
290*	6175161	Kneesupport size 1 Panda	2	PCS	5707292189288
	6175162	Kneesupport size 2 Panda	2	PCS	5707292189295
460	72694	Slidebar	2	PCS	5707292407931
461	1607000	Lock nut 8mm, large pack	2	PCS	5707292141378
462	72712	Knee joint	2	PCS	5707292420756
463	1102010	Face plate 8,4x18x2mm, FZB	2	PCS	5707292429766
464	0602600	Insex 8x30	2	PCS	5707292138170
465	74062	Toothed disk 30x14	12	PCS	5707292377951
466	0603000	Insex screw 8x35	2	PCS	5707292138217

*choose size/type /color

Position	No.	Description	Quantity	Unit of Measure	Ean code
467*	5540515	Strap size 1, knee supp.toucan	2	PCS	5707292434449
	5540220	Girth for kneesupport,size 2+3	2	PCS	5707292178206
468	0603000	Insex screw 8x35	2	PCS	5707292138217
469	72713	Bracked	2	PCS	5707292420763
470	0640907	Button head with flange M8x10	4	PCS	5707292441119
472*	72751-1	Inner Knee support size 1	2	PCS	5707292506573
	72753-1	Inner Knee support size 2	2	PCS	5707292506597
	72755-1	Inner Knee support size 3	2	PCS	5707292506610
473*	72752-1	Outer knee support size 1	2	PCS	5707292506580
	72754-1	Outer knee support size 2	2	PCS	5707292506603
	72756-1	Outer knee support size 3	2	PCS	5707292506627
474*	0631990	Button head with flange M6x8	4	PCS	5707292517333
	0659010	Button head with flange M6x10	4	PCS	5707292356819
*choose size/type /color					

Hip-, chest-, back- and abdominal supports



 R82 nothing compares to a smile	prepared by 09-10-2012	Revision 6	Revision by 21-12-2023
	Created date 09-10-2012	Revision date 21-12-2023	Item no. 79742
Title Rabbit / Toucan Accessories 2			Project 79742

Item numbers for Hip-, chest-, back- and abdominal supports

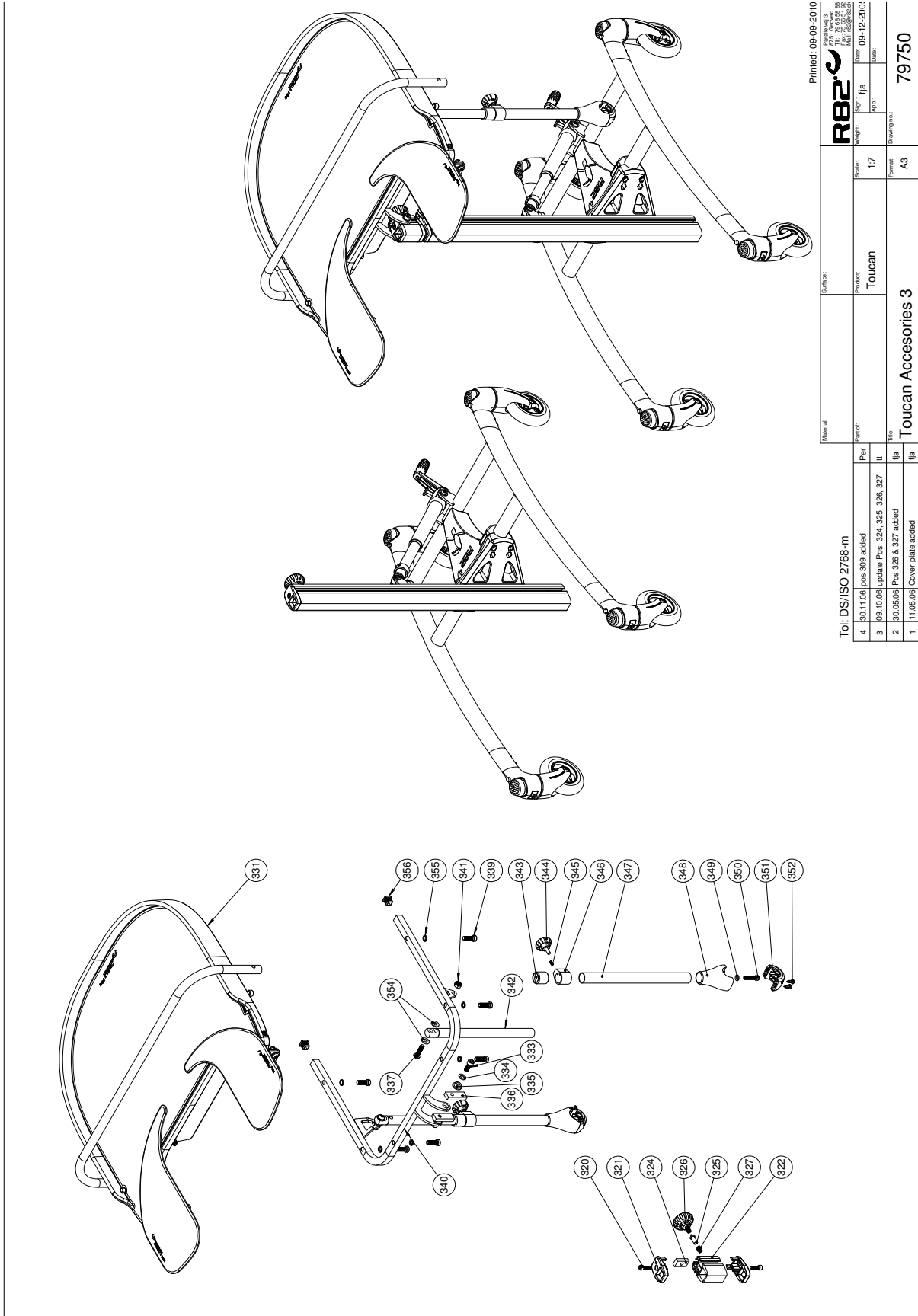
Position	No.	Description	Quantity	Unit of Measure	Ean code
80	72820	CHESTSUPPORT SIZE 1	1	PCS	5707292421340
81	72783	MOUNTING POLE SIZE 1	1	PCS	5707292421647
82	1102010	FACE PLATE 8,4x18x2MM, FZB	2	PCS	5707292429766
83	0602950	Insex M8x14 mm FZB	2	PCS	5707292564016
84	5540506	STRAP SIZE 1, 80 MM TOUCAN	1	PCS	5707292457363
87	0659011	BUTTON HEAD WITH FLANGE M6x10	4	PCS	5707292505507
90*	72830	CHESTSUPPORT SIZE 2 RIGHT	1	PCS	5707292421357
	72840	CHESTSUPPORT SIZE 3 RIGHT	1	PCS	5707292421371
91*	72831	CHESTSUPPORT SIZE 2 LEFT	1	PCS	5707292421364
	72841	CHESTSUPPORT SIZE 3 LEFT	1	PCS	5707292421388
92	72994	Mounting pole size 1	1	PCS	5707292480255
94*	5540508	STRAP SZ.2, 80MM TOUCAN	1	PCS	5707292457370
	5540511	Strap size 3, 80 mm Toucan	1	PCS	5707292457387
97	0659011	BUTTON HEAD WITH FLANGE M6x10	4	PCS	5707292505507
320	0602200	INSEX SCREW 6x16	2	PCS	5707292138095
321	72610	PLUG FOR PILE	2	PCS	5707292420718
323	3502545	R82 HANDLE DIA.45 M8X15MM	1	PCS	5707292450456
325	72611	TRUST PAD	1	PCS	5707292450500
326	72609	PROFILE SIZE 7, 80 MM	1	PCS	5707292438805
330	72694	SLIDEBAR	1	PCS	5707292407931
331	0310521	Compression spring 1.2x8	1	PCS	5707292450463
356	6175190	CHESTSUPPORT F/PONY 0,PU	1	PCS	5707292189325
357	0641600	BUTTON HEAD SCREW 6x16	1	PCS	5707292139269
358	72770	MOUNTING POLE (SIZE 1)	1	PCS	5707292483775
359	72820	Chestsupport size 1	1	PCS	5707292421340
360*	72831	CHESTSUPPORT SIZE 2 LEFT	1	PCS	5707292421364
	72841	CHESTSUPPORT SIZE 3 LEFT	1	PCS	5707292421388
361*	72830	CHESTSUPPORT SIZE 2 RIGHT	1	PCS	5707292421357
	72840	CHESTSUPPORT SIZE 3 RIGHT	1	PCS	5707292421371
362	0602600	INSEX 8x30	2	PCS	5707292138170
364	1310711	NYLON WASHER 15x8,4x1,5MM	4	PCS	5707292429933
365	72904	MOUNTING CROSS	1	PCS	5707292424846
366	72901	BRACKED RIGH,ROTATE HIPSUPPORT	1	PCS	5707292428332
367	3502516	TIGHTENING HANDLE 45MM M8x16	2	PCS	5707292146915
368	0602900	INSEX SCREW 8x16	4	PCS	5707292138200
369	1102010	FACE PLATE 8,4x18x2MM, FZB	6	PCS	5707292429766
370	72694	SLIDEBAR	4	PCS	5707292407931
371	2504000	FERRULE E15x1,0-2,0 INT.BLACK	2	PCS	5707292144102
372	72902	HEIGHT REGULATION, RABBIT	1	PCS	5707292423054
373	72903	LASER CUT PIPE 15x15x1,5x100	2	PCS	5707292424822
374	0602950	Insex M8x14 mm FZB	2	PCS	5707292564016
375*	5540508	STRAP SIZE 2, 80MM TOUCAN	1	PCS	5707292457370
	5540511	STRAP SIZE 3, 80 MM TOUCAN	1	PCS	5707292457387
376	1607000	LOCK NUT 8MM, LARGE PACK	2	PCS	5707292141378
377	5540506	STRAP SIZE 1, 80 MM TOUCAN	1	PCS	5707292457363
378	0659011	BUTTON HEAD WITH FLANGE M6x10	4	PCS	5707292505507

*choose size/type/color

Position	No.	Description	Quantity	Unit of Measure	Ean code
381	72773	MOUNTING CROSS	1	PCS	5707292406194
382	1102010	FACE PLATE 8,4x18x2MM, FZB	6	PCS	5707292429766
383	0602900	Insex M8x16 mm FZB	2	PCS	5707292138200
384	72694	SLIDEBAR	4	PCS	5707292407931
385	0602900	INSEX SCREW 8x16	4	PCS	5707292138200
387	72850	BACK SUPPORT	1	PCS	5707292423023
390*	72830	CHESTSUPPORT SIZE 2 RIGHT	1	PCS	5707292421357
	72840	CHESTSUPPORT SIZE 3 RIGHT	1	PCS	5707292421371
391*	72831	CHESTSUPPORT SIZE 2 LEFT	1	PCS	5707292421364
	72841	CHESTSUPPORT SIZE 3 LEFT	1	PCS	5707292421388
392	72773	MOUNTING CROSS	1	PCS	5707292406194
393	1102010	FACE PLATE 8,4x18x2MM, FZB	8	PCS	5707292429766
394	0602900	INSEX SCREW 8x16	4	PCS	5707292138200
395	72694	SLIDEBAR	4	PCS	5707292407931
396	0602950	Insex M8x14 mm FZB	4	PCS	5707292564016
401	72820	CHESTSUPPORT SIZE 1	1	PCS	5707292421340
402	72774	MOUNTING CROSS SIZE 1	1	PCS	5707292421609
403	72694	SLIDEBAR	4	PCS	5707292407931
405	1102010	FACE PLATE 8,4x18x2MM, FZB	6	PCS	5707292429766
406	0602900	INSEX SCREW 8x16	4	PCS	5707292138200
407	0602950	Insex M8x14 mm FZB	2	PCS	5707292564016
410	72694	SLIDEBAR	4	PCS	5707292407931
411	0602500	INSEX SCREW 8x12	4	PCS	5707292138163
412	3503001	R82 HANDLE M8x15MM SCREW	1	PCS	5707292413925
413	75300	HANDLE, BACKSUPPORT	1	PCS	5707292510495
414	3502115	TIGHTNING HANDLE M6X15MM	1	PCS	5707292146854
418	0380184	Spec. Locking house M10x1,28mm	1	PCS	5707292366030
423	2504000	FERRULE E15x1,0-2,0 INT.BLACK	1	PCS	5707292144102
424	139275	TUBE ANGLE, BACKSUPPORT	1	PCS	5707292869548
425	0602900	Insex M8x16 mm FZB	2	PCS	5707292138200
426	1102010	FACE PLATE 8,4x18x2MM, FZB	2	PCS	5707292429766
427	3502516	TIGHTENING HANDLE 45MM M8x16	1	PCS	5707292146915
428	72738	MOUNTING CROSS, BACKSUPPORT	1	PCS	5707292422989
429	72850	BACK SUPPORT	1	PCS	5707292423023
430	72737	MOUNTING FOR HEADSUPPORT	1	PCS	5707292422972
431	0808020	STAINLESS STOPSCREW,M8x12	1	PCS	5707292140074
433	72820	CHESTSUPPORT SIZE 1	1	PCS	5707292421340
435	0602950	Insex M8x14 mm FZB	2	PCS	5707292564016
440	0602950	Insex M8x14 mm FZB	4	PCS	5707292564016
442*	72830	CHESTSUPPORT SIZE 2 RIGHT	1	PCS	5707292421357
	72840	CHESTSUPPORT SIZE 3 RIGHT	1	PCS	5707292421371
443*	72831	CHESTSUPPORT SIZE 2 LEFT	1	PCS	5707292421364
	72841	CHESTSUPPORT SIZE 3 LEFT	1	PCS	5707292421388
475	3502516	TIGHTENING HANDLE 45MM M8x16	2	PCS	5707292146915
476	3502600	TIGHTENING HANDLE 65MM M8x16	2	PCS	5707292146922
477*	82563	ARM WITH CONUS	1	PCS	5707292124807
	82573	ARM WITH CONUS 2+3	1	PCS	5707292124906
478	81123	ROD FOR NECK SUPPORT (STD.NL)	1	PCS	5707292112484
*choose size/type/color					

Position	No.	Description	Quantity	Unit of Measure	Ean code
478	81894	ROD FOR NECK SUPPORT, TURTLE	1	PCS	5707292119643
479	3502300	TIGHTENING HANDLE 65MM M8 BUSH	1	PCS	5707292146885
481	1102000	PLANING WASHER 8MM	4	PCS	5707292140227
482	81893	ROD FOR NECK SUPPORT	1	PCS	5707292119636
483	0641600	BUTTON HEAD SCREW 6x16	2	PCS	5707292139269
484	81410	U-MOUNTING FOR NECK-SUPPORT	1	PCS	5707292115133
485*	6171550	HEADREST SIZE 1,BLACK PUR-FOAM	1	PCS	5707292188786
	6172550	HEADREST SIZE 2,BLACK PU-FOAM	1	PCS	5707292188823
	6173550	HEADREST SIZE 3,BLACK PUR-FOAM	1	PCS	5707292188861
	6174550	HEADREST 4, BLACK PU-FOAM	1	PCS	5707292188908
486	81411	DISTANCE-PIPE F. NECK-MOUNTING	1	PCS	5707292115140
487	1101000	CENTER SPRING WASHER 8MM	2	PCS	5707292140173
488	0602900	INSEX SCREW 8x16	2	PCS	5707292138200
489	0701000	STOP SCREW WITH CRATER 8x10	1	PCS	5707292139870
490	81844	PLATE F.NECKREST, TURTLE	5	PCS	5707292119162
491*	75303	BAR WITH FITTING L=335,5 mm	1	PCS	5707292509994
	75298	BAR WITH FITTING L=200,5 mm	1	PCS	5707292509987
492	75294	MOUNTING CROSS, BACK SUPPORT	1	PCS	5707292509963
493	1100495	SPRING WASHER M8	1	PCS	5707292458674
494	1603500	STEEL NUT 8MM, LARGE PACK	1	PCS	5707292141286
495*	72845	CHEST SUPPORT, MID PUR, SIZE 2	1	PCS	5707292445834
	72846	CHEST SUPPORT, MID PUR, SIZE 3	1	PCS	5707292445841
496	1102010	FACE PLATE 8,4x18x2MM, FZB	1	PCS	5707292429766
497	0602505	Insex M8x18, FZB	1	PCS	5707292420749
498	1350000	DISTANCEPART BLACK 6x15x8,2 MM	1	PCS	5707292140876
499	0602485	INSEX M8x25,LOW HEAD,STAINLESS	1	PCS	5707292432216
*choose size/type/color					

Arm rest and tray



Printed: 09-09-2010
 R82 A/S
 Parallelvej 3
 8751 Gedved
 Denmark
 Tel: +45 79 68 58 88
 Fax: +45 75 66 51 92
 E-mail: R82@etac.com
 Web: etac.com

Material:	Part of:	Scale:	Weight:	Part:	Unit:	Date:
	Toucan	1:7		j/a		09-12-2001
Title: Toucan Accessories 3						
Tol: DS/ISO 2768 m						
4	30.11.06	pos 309 added	Per			
3	09.10.06	update Pos. 324, 325, 326, 327	It			
2	30.05.06	Pos 326 & 327 added	j/a			
1	11.05.06	Cover plate added	j/a			
Format: A3						
Drawing no.: 79750						

Item numbers for Arm rest and tray

Position	No.	Description	Quantity	Unit of Measure	Ean code
320	0602200	Insex screw 6x16	2	PCS	5707292138095
321	72610	Plug for pile	2	PCS	5,70729E+12
322	72606	Profile size 6 (7862122) 42 mm	1	PCS	5,70729E+12
324	72694	Slidebar	1	PCS	5,70729E+12
325	72611	Trust pad	1	PCS	5707292450500
326	3502545	R82 handle dia.45 M8x15mm	1	PCS	5707292450456
327	0310521	Compression spring 1.2x8	1	PCS	5707292450463
331*	72886	Tray with hole	1	PCS	5707292428561
	75402	Tub for table	1	PCS	5707292505965
332*	72880	Frame for tray, Toucan	1	PCS	5707292424747
	75401	Table cover	1	PCS	5707292505934
333	0602800	Insex screw 8x20	2	PCS	5707292138194
334	1103200	Fazet washer 8x16x1,5mm, FZB	2	PCS	5707292140296
335	72878	Bush for holder	2	PCS	5707292418678
336	72882	Slidebar 48x16x8	2	PCS	5707292428585
337	0663031	Button head 8x30, Wombat	2	PCS	5707292139610
339*	1103000	Fazet washer 6mm	4	PCS	5707292140289
	0603535	Insex low head M8x25	6	PCS	5707292575319
340	75405	Center support bracket	1	PCS	5707292507235
341	1607000	Lock nut 8mm, large pack	2	PCS	5707292141378
342*	72887	Innertube for elevation	2	PCS	5707292428592
	72906	Inner pipe for elevation sz 2	2	PCS	5707292435590
	72926	Innertube for elevation size 3	2	PCS	5707292435637
	72991	Innertube for elevation size 4	2	PCS	5707292441935
	72993	Innertube for elevation,size 5	2	PCS	5707292441959
	72926	Innertube for elevation size 3	2	PCS	5,70729E+12
	72991	Innertube for elevation size 4	2	PCS	5,70729E+12
72993	Innertube for elevation,size 5	2	PCS	5,70729E+12	
343	72215	Ferrule for Panther	2	PCS	5707292106667
344	3502516	Tightening handle 45mm M8x16	2	PCS	5707292146915
345	0691000	Stop screw w. Crater 4x10	2	PCS	5707292139771
346	72889	Bush for elevation, table	2	PCS	5707292428615
347*	72890	Elevation, outhertube, size 1	2	PCS	5707292428622
	72908	Elevation, outhertube, size 2	2	PCS	5707292435613
	72987	Elevation, outhertube, size 4	2	PCS	5707292441898
	72989	Elevation, outhertube size 5	2	PCS	5707292441911
	72928	Elevation, outhertube size 3	2	PCS	5,70729E+12
348	72705	Fix top, for table	2	PCS	5707292428653
349	1103000	Fazet washer 6mm	2	PCS	5707292140289
350	0602401	Insex screw 6x30	2	PCS	5707292138125
351	72706	Fix bottom, for table	2	PCS	5707292428660
352	1940026	Pan head screw 5x16 hp FZB	8	PCS	5707292408433
353	0808012	Stainless stop screw 8x12	2	PCS	5707292140067
355	1100500	Spring washer 8mm, stainless	6	PCS	5,70729E+12
356	2504000	Ferrule e15x1,0-2,0 int.black	2	PCS	5,70729E+12

*choose size/type/color