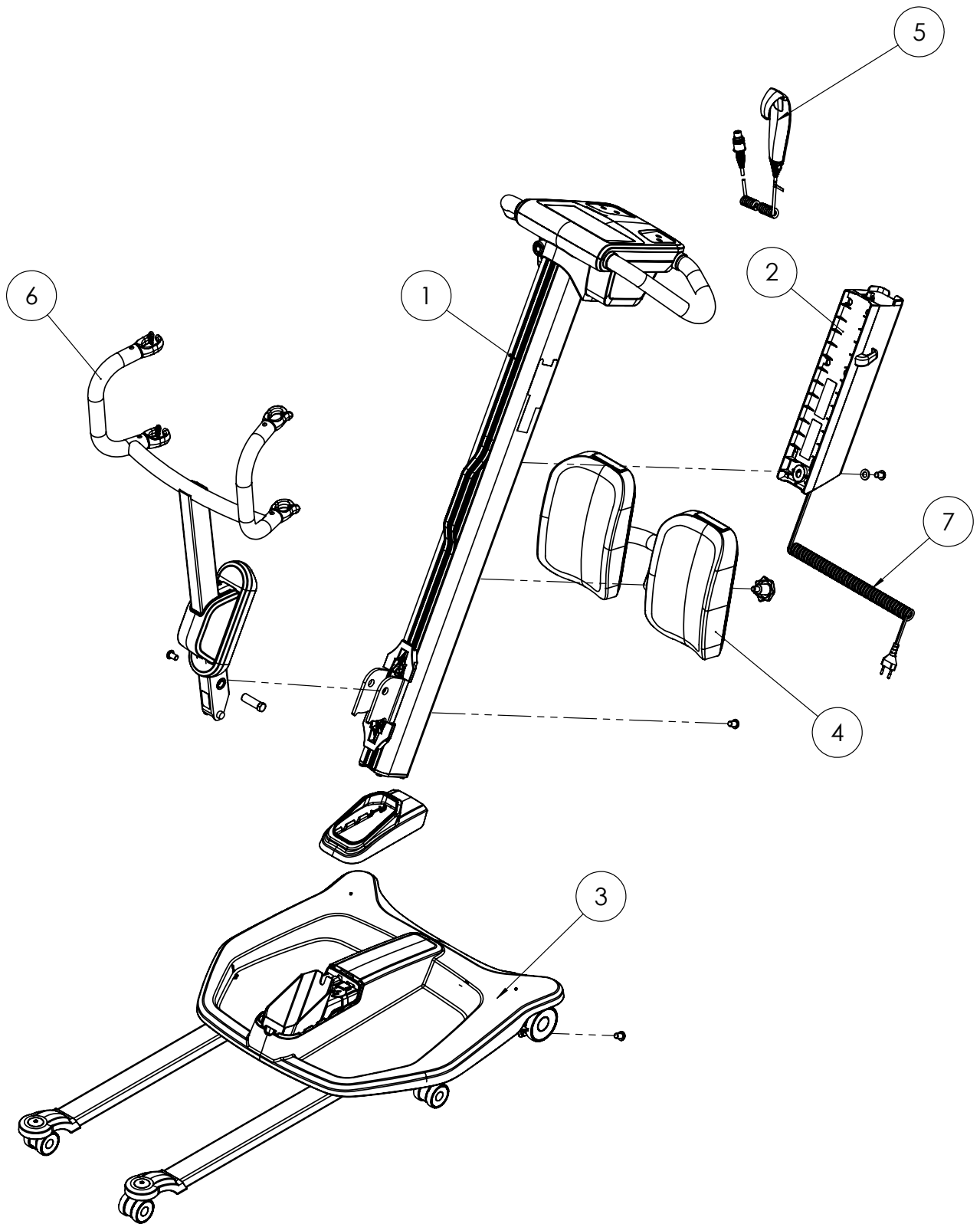


QuickRaiser 205 Variant Matrix



Molift QuickRaiser 205 components

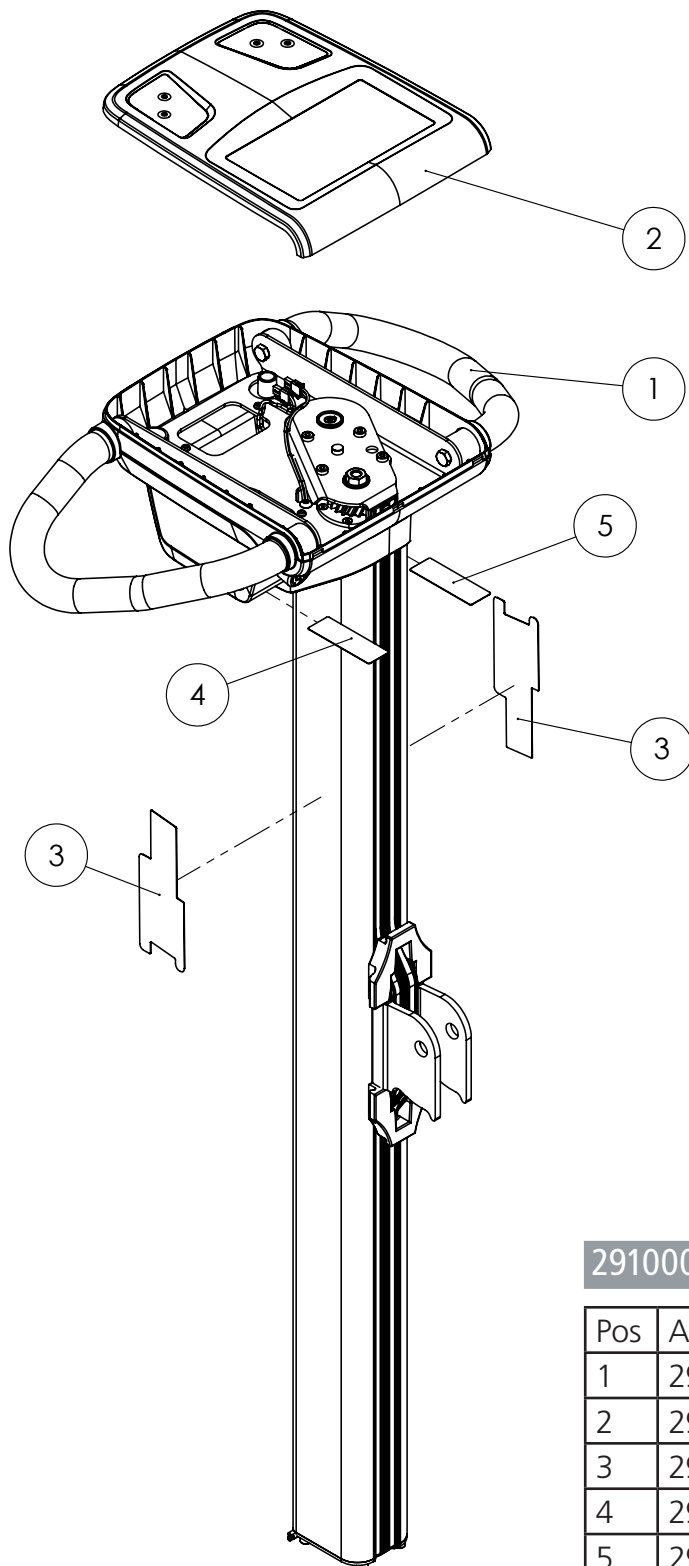
| Pos | Article no. | Description |
|-----|-------------|------------------------------|
| 1 | 2910005 | Column |
| 2 | 2910040 | Charger and PowerPac 24V SLA |
| 3 | 2910045 | Chassis (Ø50/75mm) |
| 3 | 2910046 | Chassis (Ø75/100mm) |
| 4 | 2910055 | Leg Support |
| 5 | 2910010 | Hand Control |
| 6 | 2910060 | Active lifting arm |
| 6 | 2910061 | Standup lifting arm |
| 7* | 2920092 | Spiral Cable USA plug |
| 7* | 2920093 | Spiral Cable EU plug |
| 7* | 2920094 | Spiral Cable GB plug |
| 7* | 2920095 | Spiral Cable AU plug |

*country/region variation

Molift QuickRaiser 205 variants

| Article no. | Description |
|-------------|--|
| 29000 | Molift QuickRaiser 205 Active (Ø50/75mm) |
| 29001 | Molift QuickRaiser 205 Standup (Ø50/75mm) |
| 29100 | Molift QuickRaiser 205 Active (Ø75/100mm) |
| 29101 | Molift QuickRaiser 205 Standup (Ø75/100mm) |

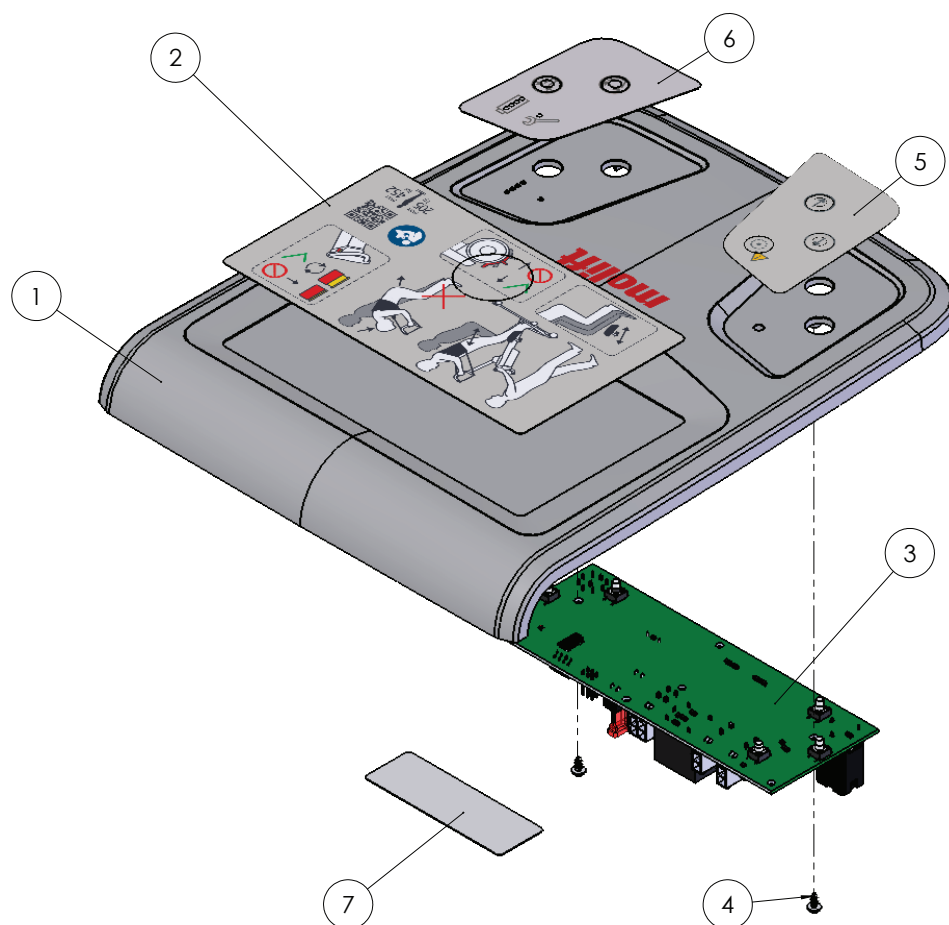
Column / Article no. 2910000



2910000 Column

| Pos | Article no. | Description |
|-----|-------------|----------------|
| 1 | 2910015 | Column Assy |
| 2 | 2910020 | Top Cover Assy |
| 3 | 2920139 | Model label |
| 4 | 2920140 | Product label |
| 5 | 2920141 | GSI 128 Label |

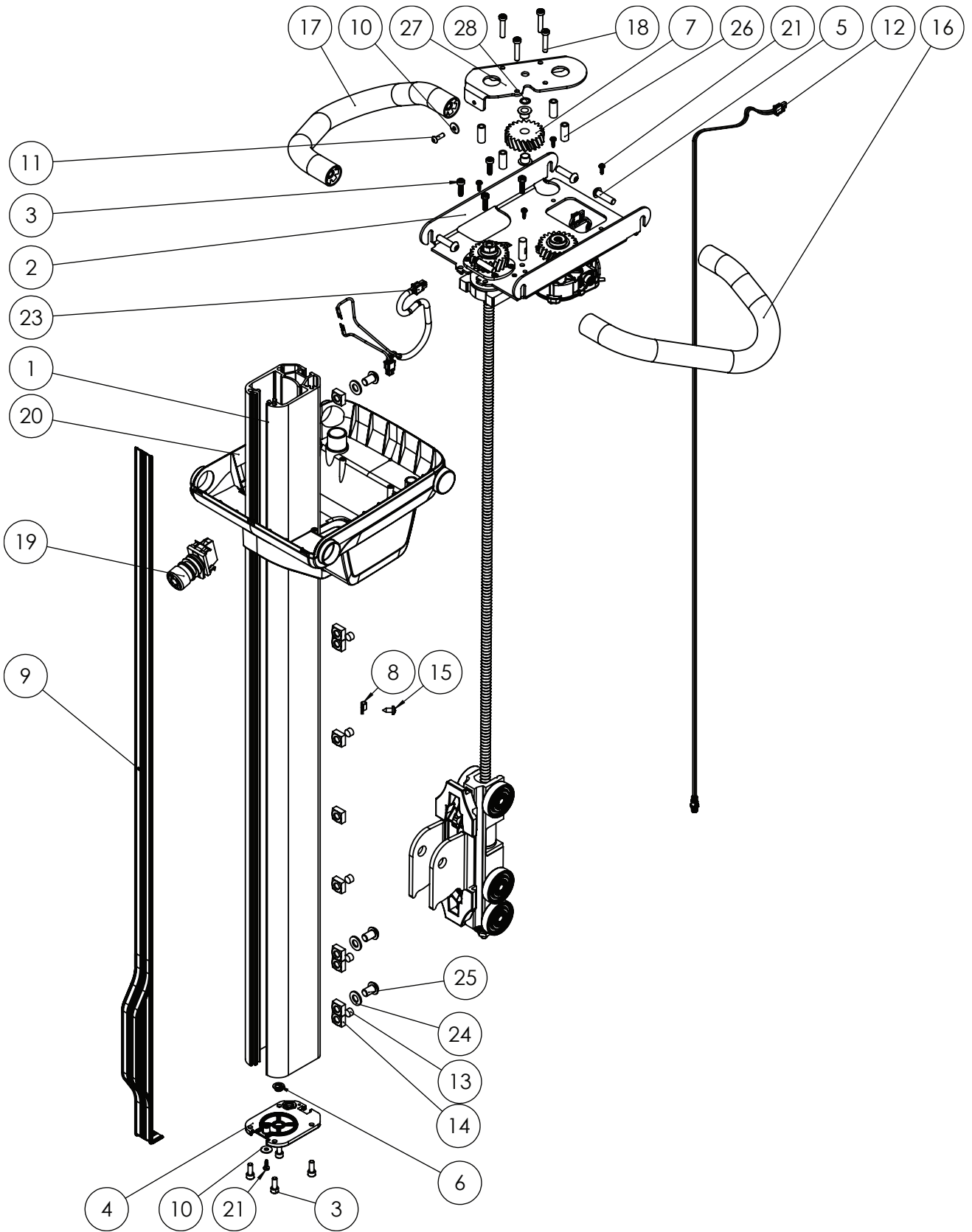
Control panel / Article no. 2910020



2910020 Control panel

| Pos | Article no. | Description |
|-----|-------------|----------------------------------|
| 1 | 2920096 | Top Cover_insert |
| 2 | 2920097 | Short Guide StandUp |
| 3 | 2920112 | PCB |
| 4 | 2920077 | Screw, PT WN 1451 |
| 5 | 2920084 | Membran keypad left (foil only) |
| 6 | 2920085 | Membran keypad right (foil only) |
| 7 | 2920141 | GS1-128 Label |

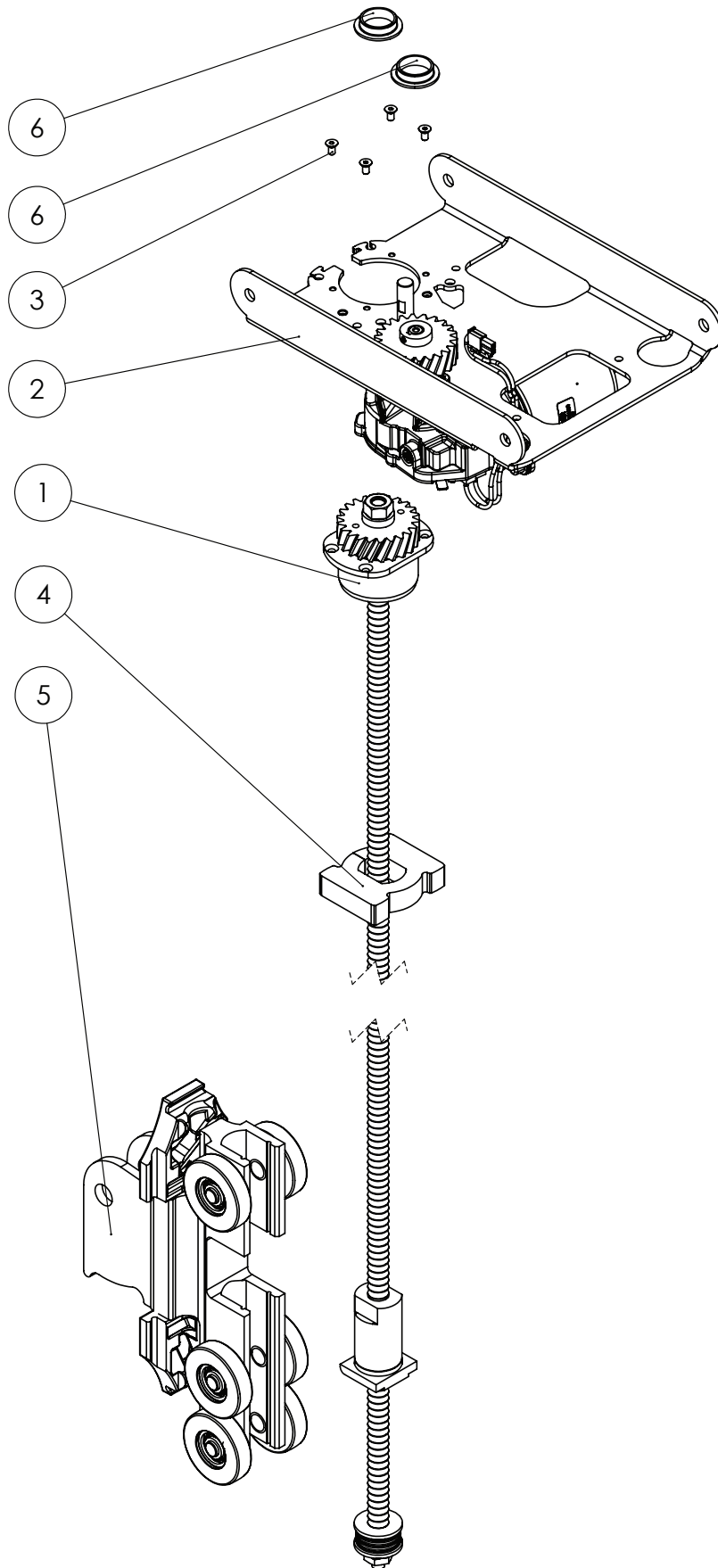
Column without control panel / Article no. 2910005



2910005 Column without control panel

| Pos | Article no. | Description |
|-----|-------------|------------------------------------|
| 1 | 2920061 | Column Profile, L=1098 |
| 2 | 2910030 | Ball Screw Assy |
| 3 | 2920149 | Self Drilling Screw |
| 4 | 2920062 | Bottom Plate |
| 5 | 2920152 | Screw, Button Head Socket Cap |
| 6 | 2920122 | Slide Bearing |
| 7 | 2920114 | Cogwheel 3 |
| 8 | 1101432 | Wire clamp 4,8 MM 55-021-90 |
| 9 | 2920065 | Rubber band, L=1156mm |
| 10 | 2920066 | Washer |
| 11 | 2920123 | Screw, Socket Button Head |
| 12 | 2920067 | Cable PCB - Column |
| 13 | 2920184 | DIN 914 / ISO 4027 M10x10 |
| 14 | 2920018 | Square Nut |
| 15 | 2920185 | ISO 7049/DIN 7981 screw 4.8x13 PH2 |
| 16 | 2920068 | Driving Handle Left Assy |
| 17 | 2920069 | Driving Handle Right Assy |
| 18 | 0920015 | Screw, Button Socket Cap Screw |
| 19 | 2920006 | Emergency Stop Switch |
| 20 | 2920071 | Control Panel Bottom Cover |
| 21 | 2920035 | Screw, Plastic |
| 23 | 2920074 | Harness PCB-Emergency Stop-Battery |
| 24 | 0220122 | Washer |
| 25 | 2920075 | Screw, Button Head Socket Cap |
| 26 | 1109627 | Sleeve |
| 27 | 2920131 | Cogwheel Bearing Plate |
| 28 | 2920160 | Washer Nylon |

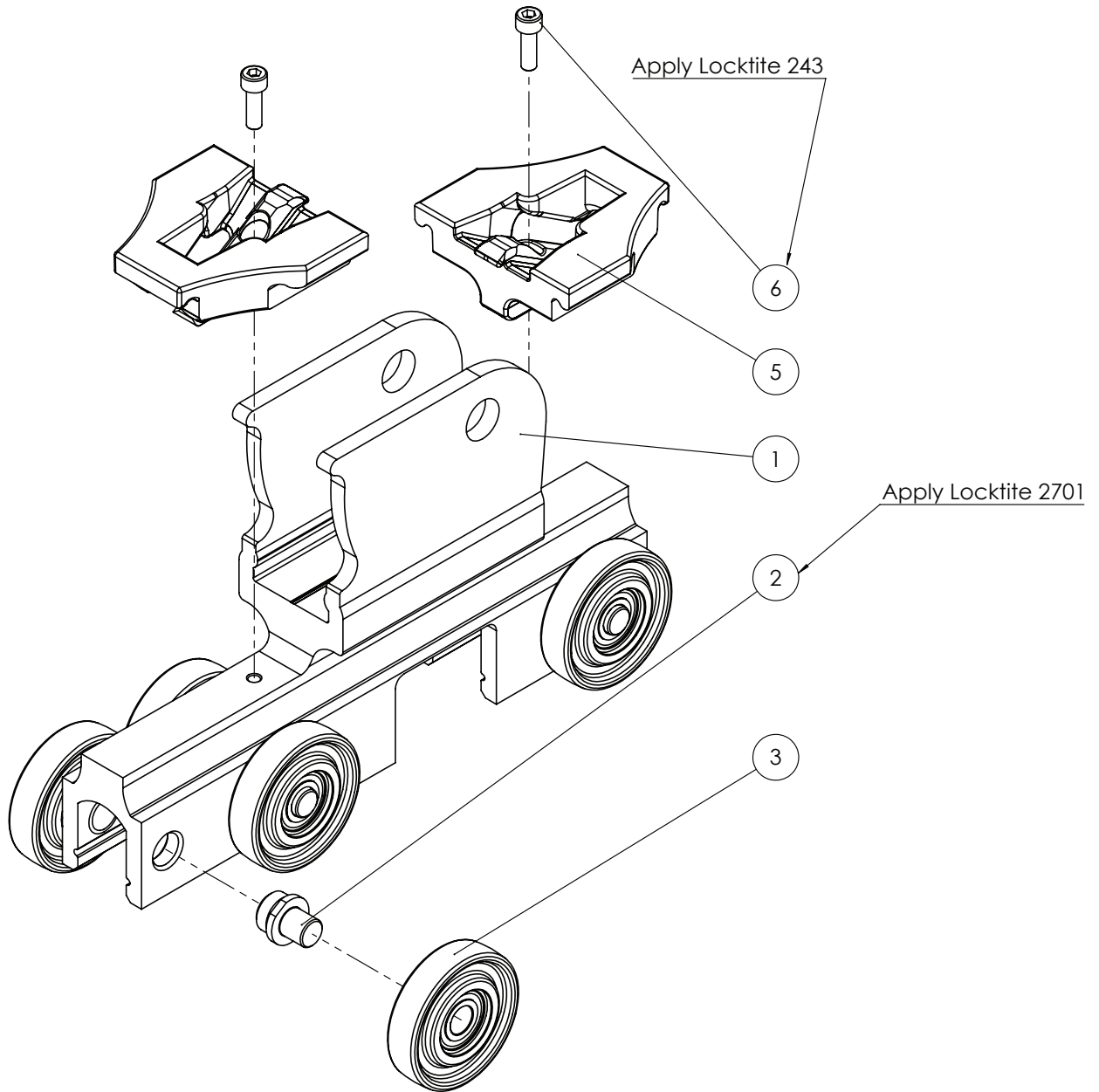
Driveline / Article no. 2910030



2910030 Driveline

| Pos | Article no. | Description |
|-----|-------------|-------------------------|
| 1 | 2910031 | Ball Screw Part Assy 1 |
| 2 | 2910025 | Motor Plate Assy |
| 3 | 1109087 | Screw, Countersunk Head |
| 4 | 2920073 | End Stopper |
| 5 | 2920116 | Trolley Assy |
| 6 | 2920051 | Flanged Bearing |

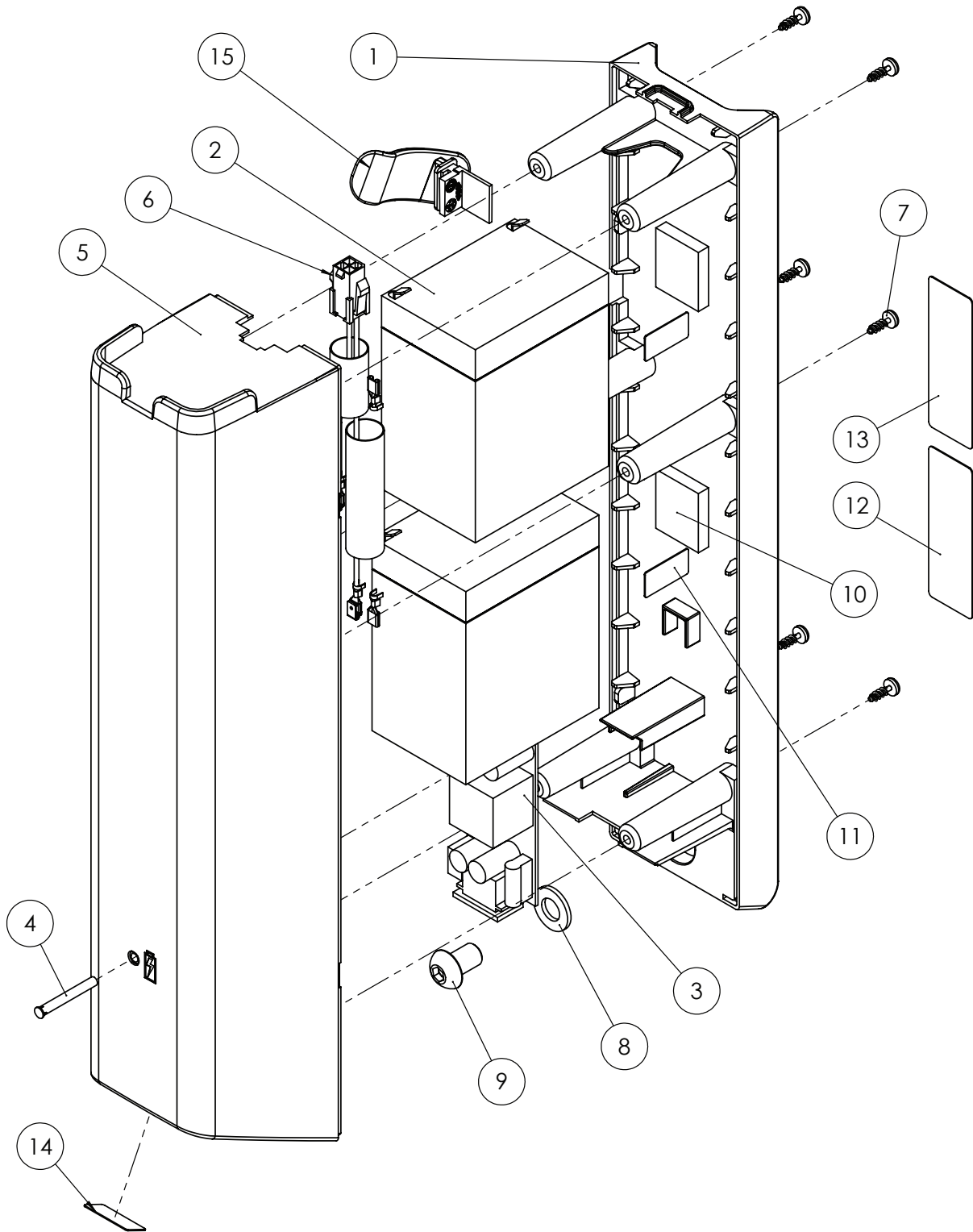
Trolley / Article no. 2910035



2910035 Trolley

| Pos | Article no. | Description |
|-----|-------------|------------------------|
| 1 | 2920042 | Trolley Machined |
| 2 | 2920043 | Axle |
| 3 | 1120705 | Radial Ball Bearing |
| 4 | 2920044 | Wheel |
| 5 | 1310108 | Guide Sealing |
| 6 | 1320209 | Screw, Socket Head Cap |

Charger and PowerPac 24V SLA / Article no. 2910040

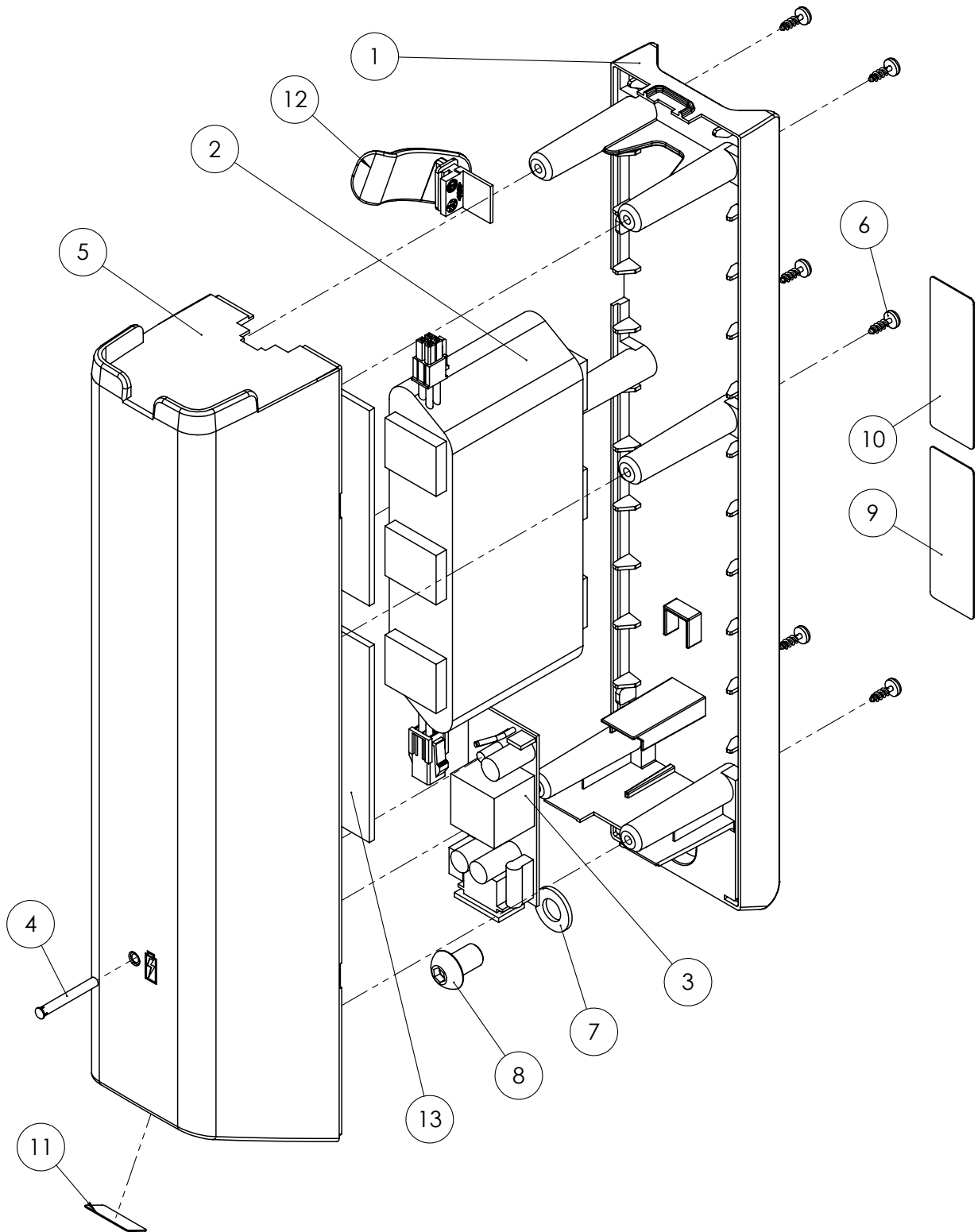


Charger and PowerPac
24V SLA
Exploded Drawing
20-103 Rev. I

2910040 Charger and PowerPac 24V SLA

| Pos | Article no. | Description |
|-----|-------------|-------------------------------------|
| 1 | 2920003 | Battery box back |
| 2 | 2920007 | SLA battery 2x12V 2,9Ah |
| 3 | 2920086 | Charger, SLA |
| 4 | 2920087 | Light pipe - BIVAR PLP5-2-1250 |
| 5 | 2920088 | Battery Box Front |
| 6 | 2920076 | Cable for SLA battery box |
| 7 | 2920035 | Screw, Plastic |
| 8 | 0220122 | Washer DIN 125 ø10,5 |
| 9 | 2920075 | Screw, ISO 7380-2 M10x16 Dri-Loc |
| 10 | 2920089 | Foam tape, RS-619-1764 |
| 11 | 2920150 | Battery warranty label |
| 12 | 2920091 | SLA battery pack product label |
| 13 | 2920142 | Warning label |
| 14 | 2920181 | Input Voltage Label |
| 15 | 2920190 | Battery box cable clip |

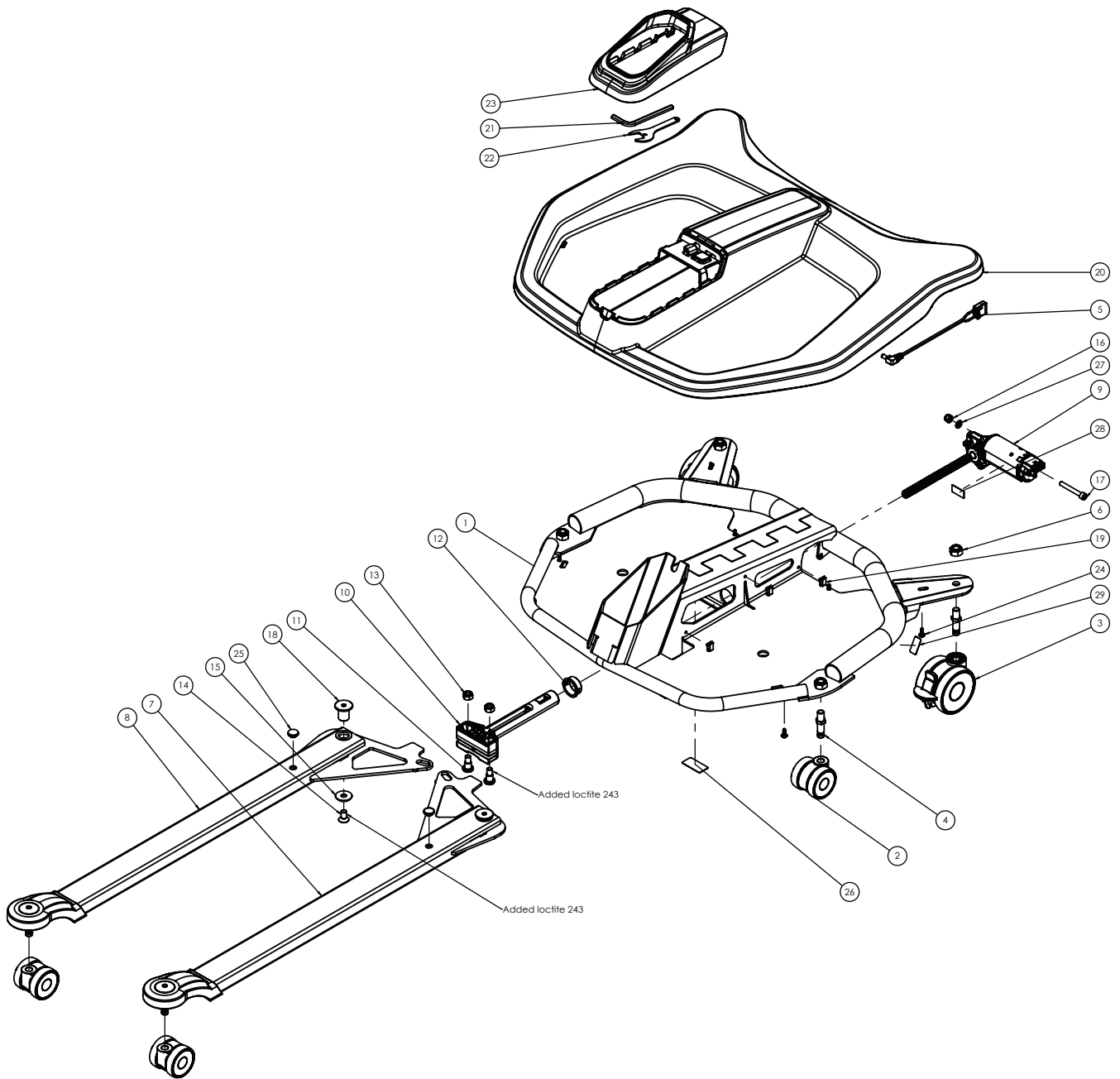
Charger and PowerPac LiFePO4 / Article no. 2910041



2910041 Charger and PowerPac LiFePO4

| Pos | Article no. | Description |
|-----|-------------|------------------------------------|
| 1 | 2920003 | Battery box back |
| 2 | 2920197 | LiFePO4-Battery Assy 25,6V |
| 3 | 2920107 | Mascot 2240 LiFePO4 Open Frame |
| 4 | 2920087 | Light pipe - BIVAR PLP5-2-1250 |
| 5 | 2920088 | Battery Box Front |
| 6 | 2920035 | Screw, Plastic |
| 7 | 0220122 | Washer DIN 125 ø10,5 |
| 8 | 2920075 | Screw, Button Head Socket Cap |
| 9 | 2920198 | LiFePO4-battery pack product label |
| 10 | 2920142 | Warning label |
| 11 | 2920181 | Input Voltage Label |
| 12 | 2920190 | Battery box cable clip |
| 13 | 2920199 | Level plate |

Chassis / Article no. 2910045/2910046



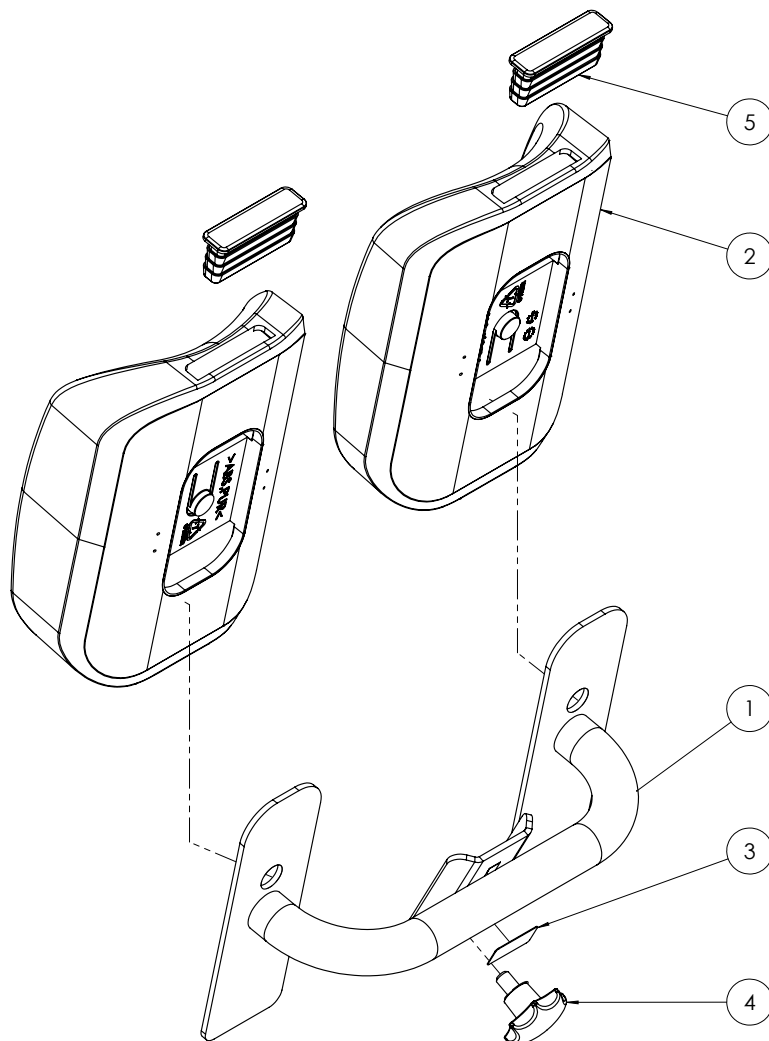
2910045 Chassis (Ø50/75mm)

| Pos | Article no. | Description |
|-----|-------------|--|
| 1 | 2920020 | Chassis Welded |
| 2 | 2920021 | 50mm Castors |
| 3 | 2920022 | 75mm castors Tente Linea w/ break |
| 4 | 2920023 | Bolt to fasten caster 10mm (M10x15) |
| 5 | 2920024 | Cable harness for column - Motor 2 |
| 6 | 1120315 | Lock Nut |
| 7 | 2910050 | Left Leg Complete |
| 8 | 2910051 | Right Leg Complete |
| 9 | 2920025 | Motor 2 |
| 10 | 2920026 | Spindle bracket |
| 11 | 2920027 | DIN 923 - M8X10 |
| 12 | 2920036 | Bushing Ø23,8mm |
| 13 | 1150414 | Lock Nut DIN 985 M8 |
| 14 | 2920028 | Screw DIN7991 M8x16 10.9 ElZn |
| 15 | 2920029 | BN 1277 - Washer Ø8.4 |
| 16 | 0228125 | M6 DIN 985 |
| 17 | 2920030 | DIN912 M6 x 45 |
| 18 | 2920031 | Low Profile barrel nut int. |
| 19 | 2920177 | Wire Clip |
| 20 | 2920032 | Chassis Cover |
| 21 | 2510137 | Allen Key 6mm |
| 22 | 2920019 | Flat Spanner 17mm |
| 23 | 2920034 | Cover for lifting arm |
| 24 | 2920035 | Plastic Screw 4x12 |
| 25 | 2920147 | Sliding block |
| 26 | 2920146 | Product label Chassis QR205 |
| 27 | 1220305 | Washer (WSH-DIN125-A- 140HV-(A2K)-D6,4) |
| 28 | 2920150 | Warranty Label |
| 29 | 2920174 | Arrow label |

2910046 Chassis (Ø75/100mm)

| Pos | Article no. | Description |
|-----|-------------|--|
| 2 | 2920013 | Castor Ø75mm |
| 3 | 2920015 | Castor Ø100mm with brake |
| 4 | 2920017 | Castor pivot pin, Ø11mm (for castor Ø100mm) |

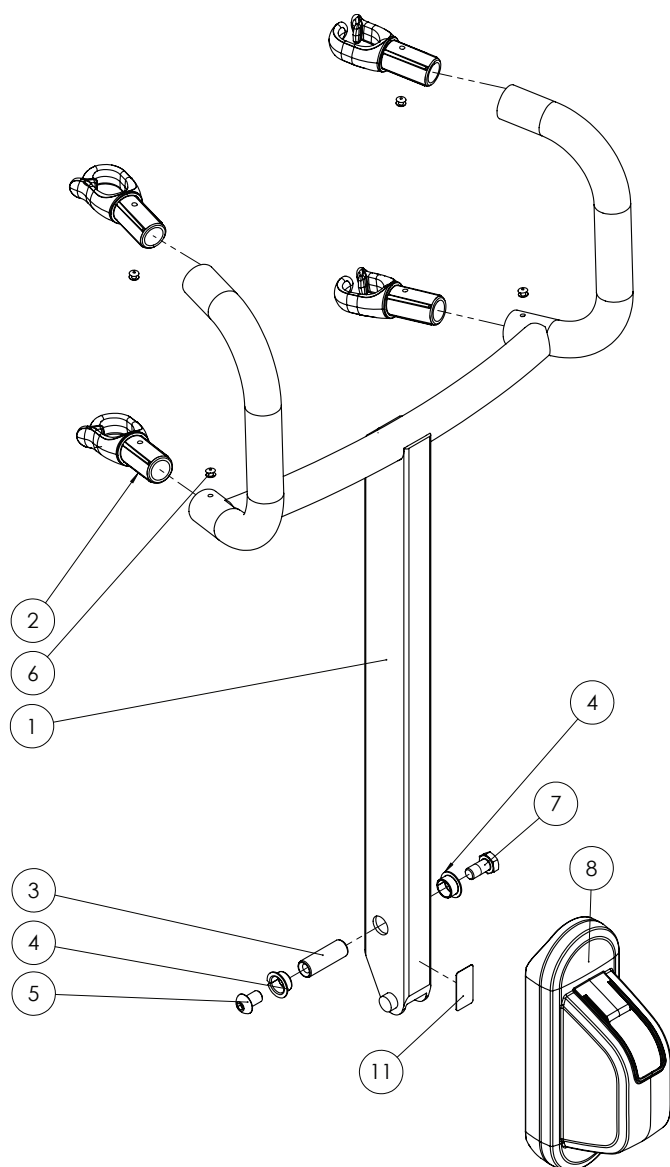
Leg support / Article no. 2910055



2910055 Leg Support

| Pos | Article no. | Description |
|-----|-------------|-----------------------|
| 1 | 2920098 | Leg Support Bracket |
| 2 | 2920099 | Knee cushion Complete |
| 3 | 2920145 | Product label |
| 4 | 2920100 | DIN6336 - R5033M1015S |
| 5 | 2920148 | Plug for cushion |

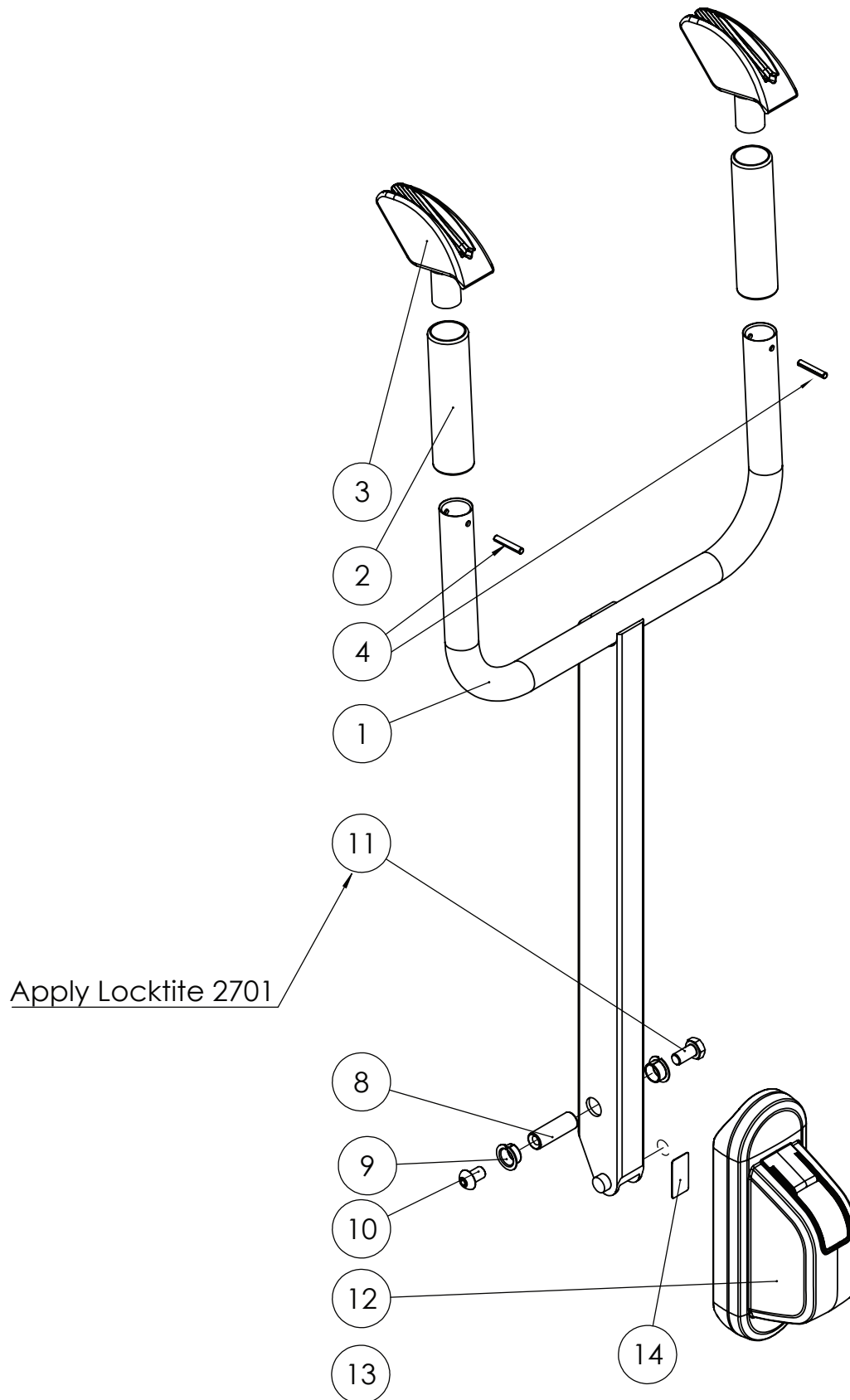
Active lifting arm / Article no. 2910060



2910060 Active Lifting Arm

| Pos | Article no. | Description |
|-----|-------------|-----------------------------------|
| 1 | 2920079 | Lifting Arm Welded |
| 2 | 2920080 | Hook for Sling |
| 3 | 2920081 | Bolt For Trolley |
| 4 | 1310141 | Flanged Bearing |
| 5 | 2920075 | Screw w/Dri-loc M10x16 |
| 6 | 1450120 | Rivet DIN 7337 |
| 7 | 1109524 | Hex. Screw |
| 8 | 2920083 | Trolley Cover |
| 11 | 2920143 | RgoSling Active Lifting arm label |

StandUp lifting arm / Article no. 2910061



2910061 StandUp Lifting Arm

| Pos | Article no. | Description |
|-----|-------------|------------------------------------|
| 1 | 2920104 | Lifting arm welded |
| 2 | 0459101 | Hand grip |
| 3 | 0459102 | Rope Clamp |
| 4 | 0458011 | Spirol pin ISO 8748 Heavy duty |
| 7 | 0210112 | Slide Bearing |
| 8 | 2920081 | Bolt For Trolley |
| 9 | 1310141 | Slide Bearing |
| 10 | 2920075 | Screw w/Dri-loc M10x16 |
| 11 | 1109524 | Hex. Screw DIN 933 |
| 12 | 2920083 | Trolley Cover |
| 14 | 2910061 | RgoSling StandUp Lifting arm label |