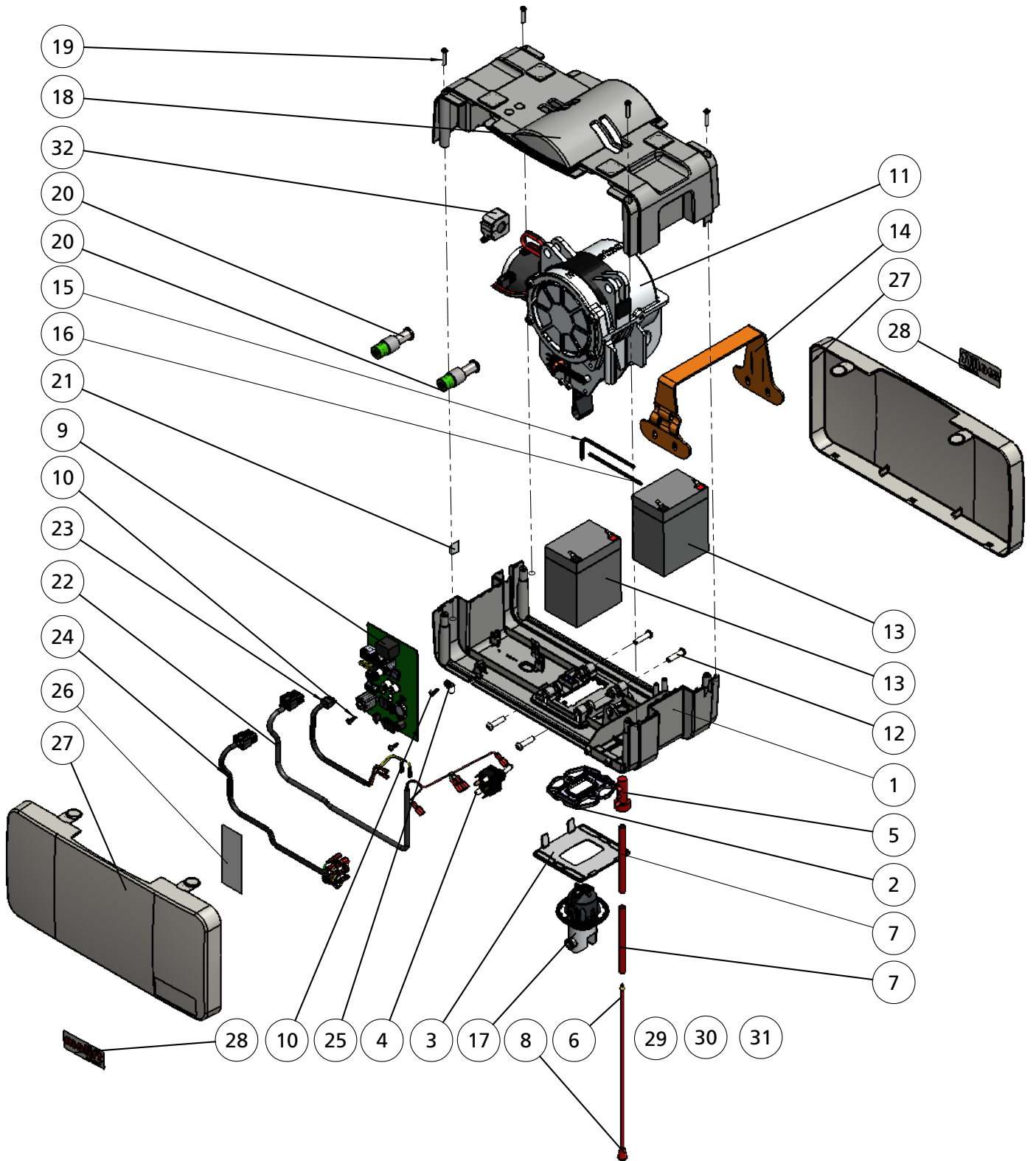
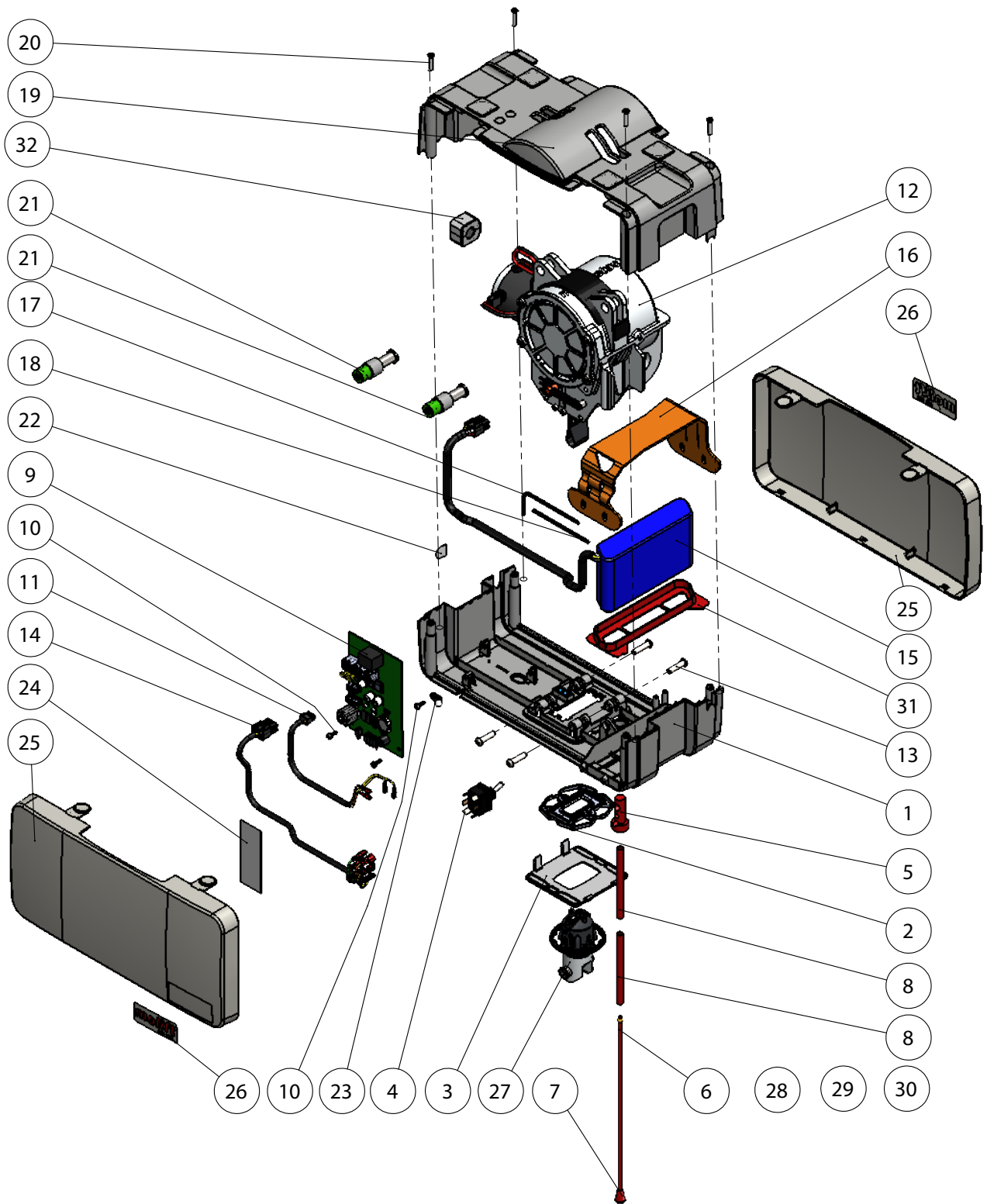


Air Components



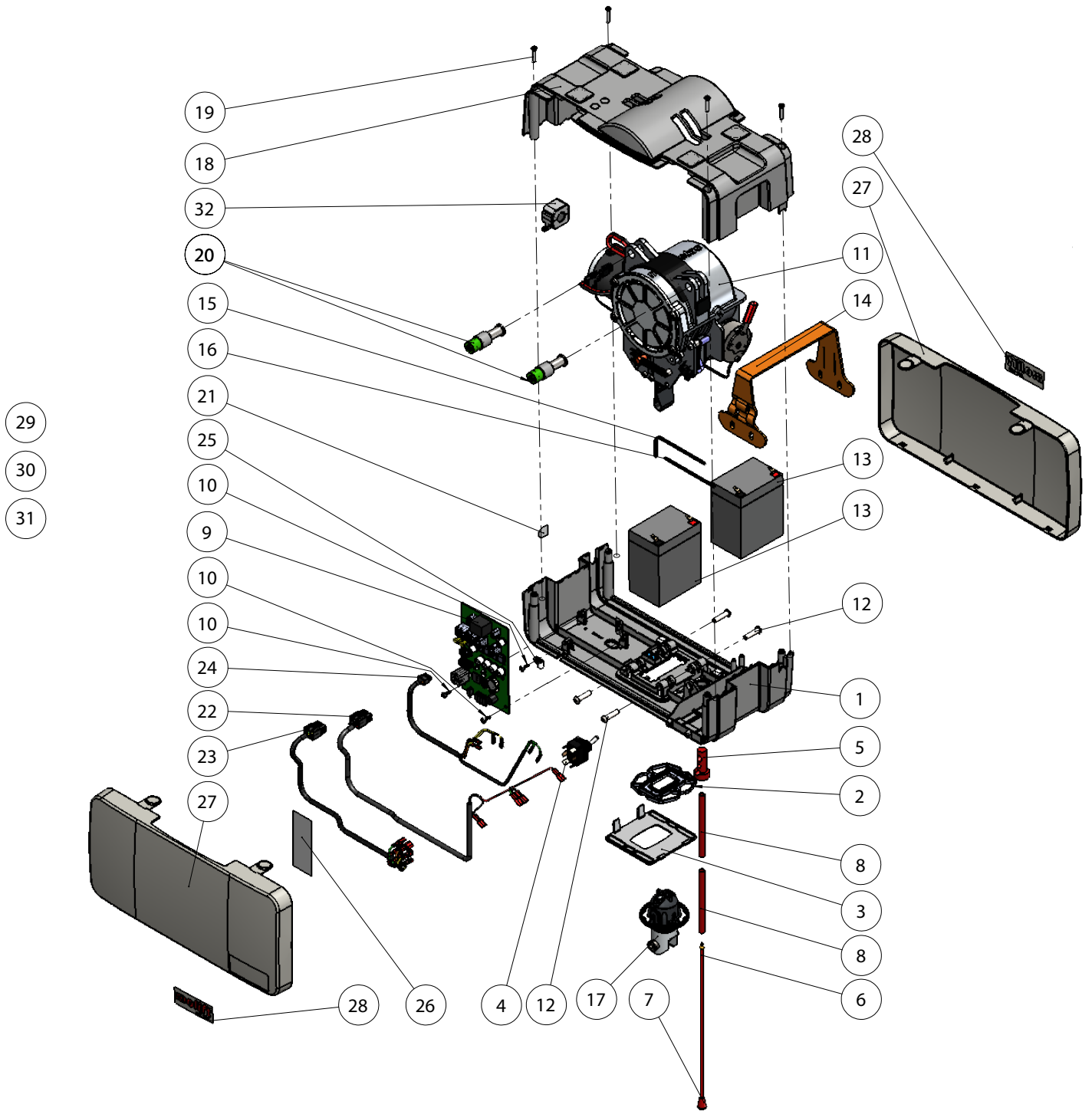
2500002 AIR 200 SLA

Pos	Article no.	Description
1	2510342	Lower Cover Assy
2	2510345	Offlead Angle Sensor Assy
3	2510352	Bottom Plate
4	2510343	Emergency Lowering Switch
5	2510003	Emergency Stop Knob
6	1101588	Rope
7	1101587	Knob Red (Rope End)
8	2510099	PVC-pipe
9	2530112	Main PCB Molift Air
10	2920035	Plasrtic Screw
11	2510347	Motor Assy
12	0920202	Screw, Button Head Socket Cap
13	2920007	SLA Battery 12V - 2,9 Ah
14	2510346	Battery Clamp
15	2510305	Allen Key 3,5mm 90-degrees
16	2510306	Allen Key 3,5mm Straight
17	2510363	Quick Release for Alu spreader bar
18	2510004	Upper Cover
19	1220330	Screw, Reform
20	2510339	Quick Release Unit
21	2510309	Label Emergency Lowering
22	2510357	SLA-Battery Cable
23	2510358	Emergency Lowering & Stop Cable
24	2510359	Sensor Cable
25	1101432	Wire Clamp 4,8mm
26	1100303	Label: Safety Check
27	2510005	Side Cover
28	2510360	Label: Molift AIR 200
29	0421135	Dekal ID no.
30	1240199	Bag of screws
31	2510270	Carboard Assy
32	2510391	Ferrite



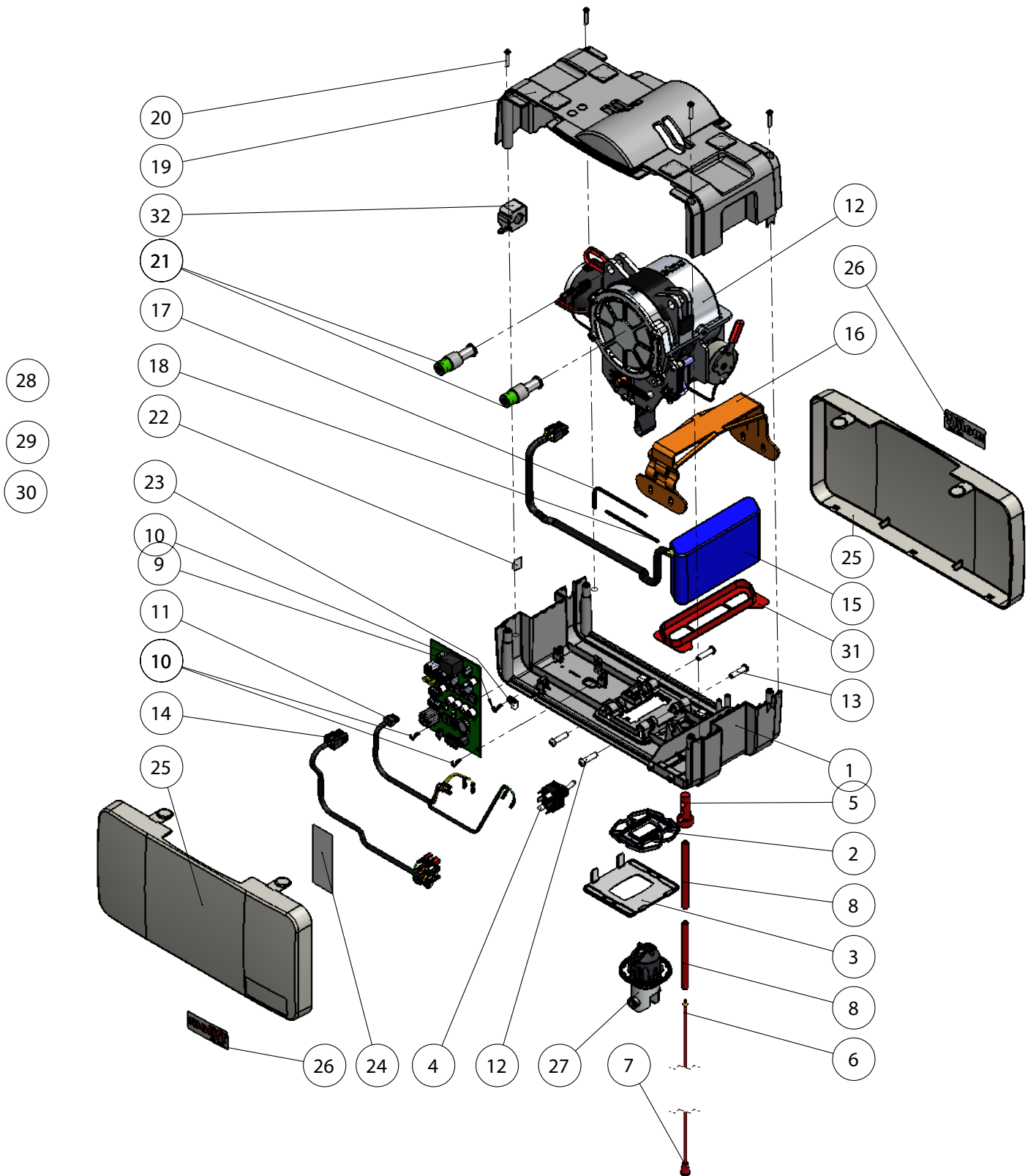
2500004 AIR 200 Lifepo

Pos	Article no.	Description
1	2510342	Lower Cover Assy
2	2510345	Offlead Angle Sensor Assy
3	2510352	Bottom Plate
4	2510343	Emergency Lowering Switch
5	2510003	Emergency Stop Knob
6	1101588	Rope
7	1101587	Knob Red (Rope End)
8	2510099	PVC-pipe
9	2530112	Main PCB Molift Air
10	2920035	Screw Plastic
11	2510359	Sensor Cable
12	2510347	Motor Assy
13	0920202	Screw, Button Head Socket Cap
14	2510358	Emergency Lowering & Stop Cable
15	2920204	LiFePo-Battery
16	2510430	Battery Clamp
17	2510305	Allen Key 3,5mm 90-degrees
18	2510306	Allen Key 3,5mm Straight
19	2510004	Upper Cover
20	1220330	Screw, Reform
21	2510339	Quick Release Unit
22	2510309	Label Emergency Lowering
23	1101432	Wire Clamp 4,8mm
24	1100303	Label: Safety Check
25	2510005	Side Cover
26	2510360	Label: Molift AIR 200
27	2510363	Quick Release for Alu spreader bar
28	0421135	Dekal ID no.
29	1240199	Bag of screws
30	2510270	Carboard Assy
31	2510439	Battery Base
32	2510391	Ferrite



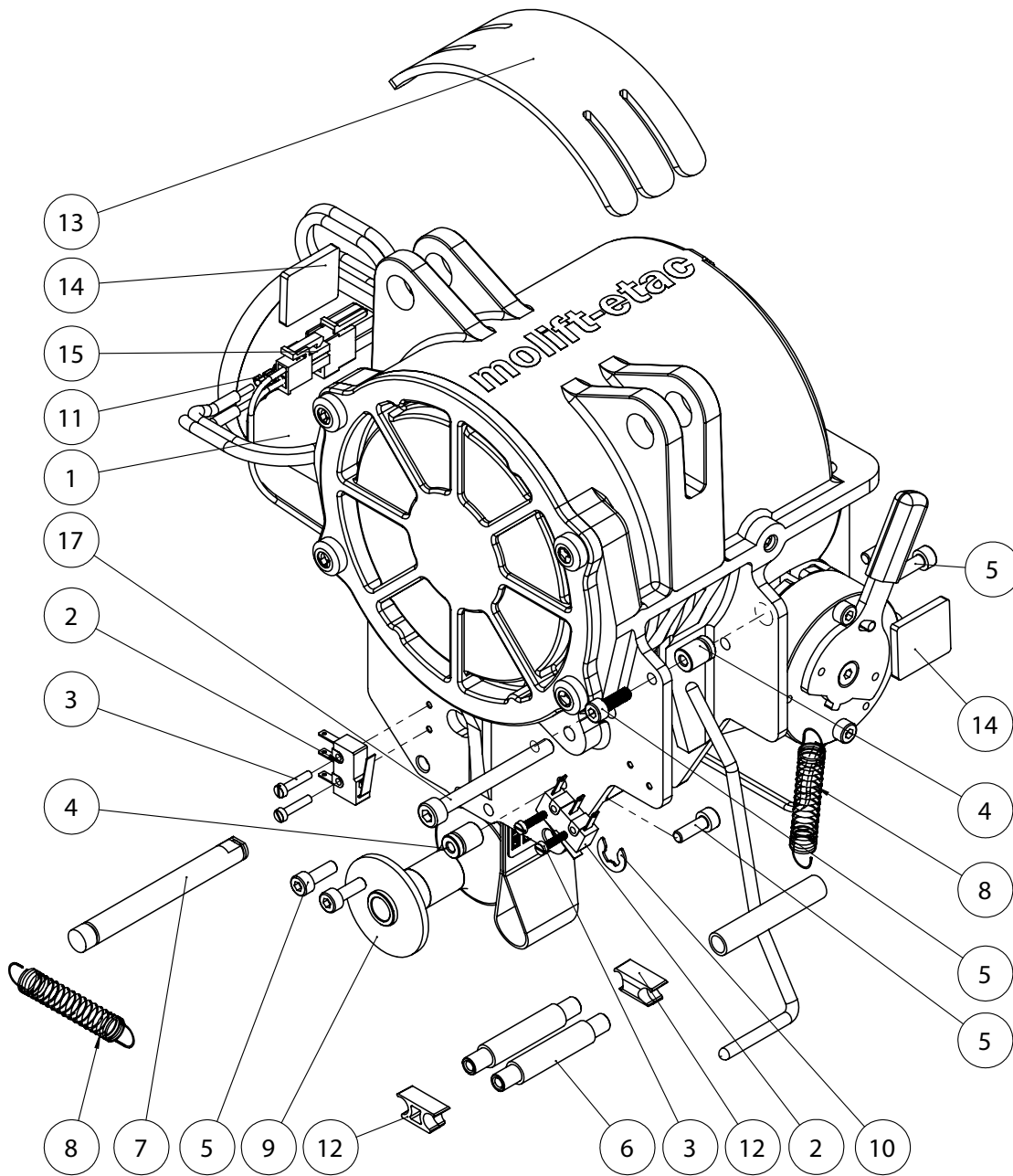
2500003 AIR 350 SLA

Pos	Article no.	Description
1	2510425	Lower Cover Assy
2	2510345	Offlead Angle Sensor Assy
3	2510352	Bottom Plate
4	2510343	Emergency Lowering Switch
5	2510003	Emergency Stop Knob
6	1101588	Rope
7	1101587	Knob Red (Rope End)
8	2510099	PVC-pipe
9	2540112	PBA AIR-350S
10	2920035	Screw Plastic
11	2510353	Motor Assy
12	0920202	Screw, Button Head Socket Cap
13	2920007	SLA Battery 12V - 2,9 Ah
14	2510346	Battery Clamp
15	2510305	Allen Key 3,5mm 90-degrees
16	2510306	Allen Key 3,5mm Straight
17	2510363	Quick Release for Alu spreader bar
18	2510004	Upper Cover
19	1220330	Screw, Reform
20	2510339	Quick Release Unit
21	2510309	Label Emergency Lowering
22	2510357	SLA-Battery Cable
23	2510358	Emergency Lowering & Stop Cable
24	2510364	Sensor Cable
25	1101432	Wire Clamp 4,8mm
26	1100303	Label: Safety Check
27	2510005	Side Cover
28	2510354	Label: Molift AIR 350
29	0421135	Dekal ID no.
30	1240199	Bag of screws
31	2510270	Carboard Assy
32	2510391	Ferrite



2500006 AIR 350 Lifepo

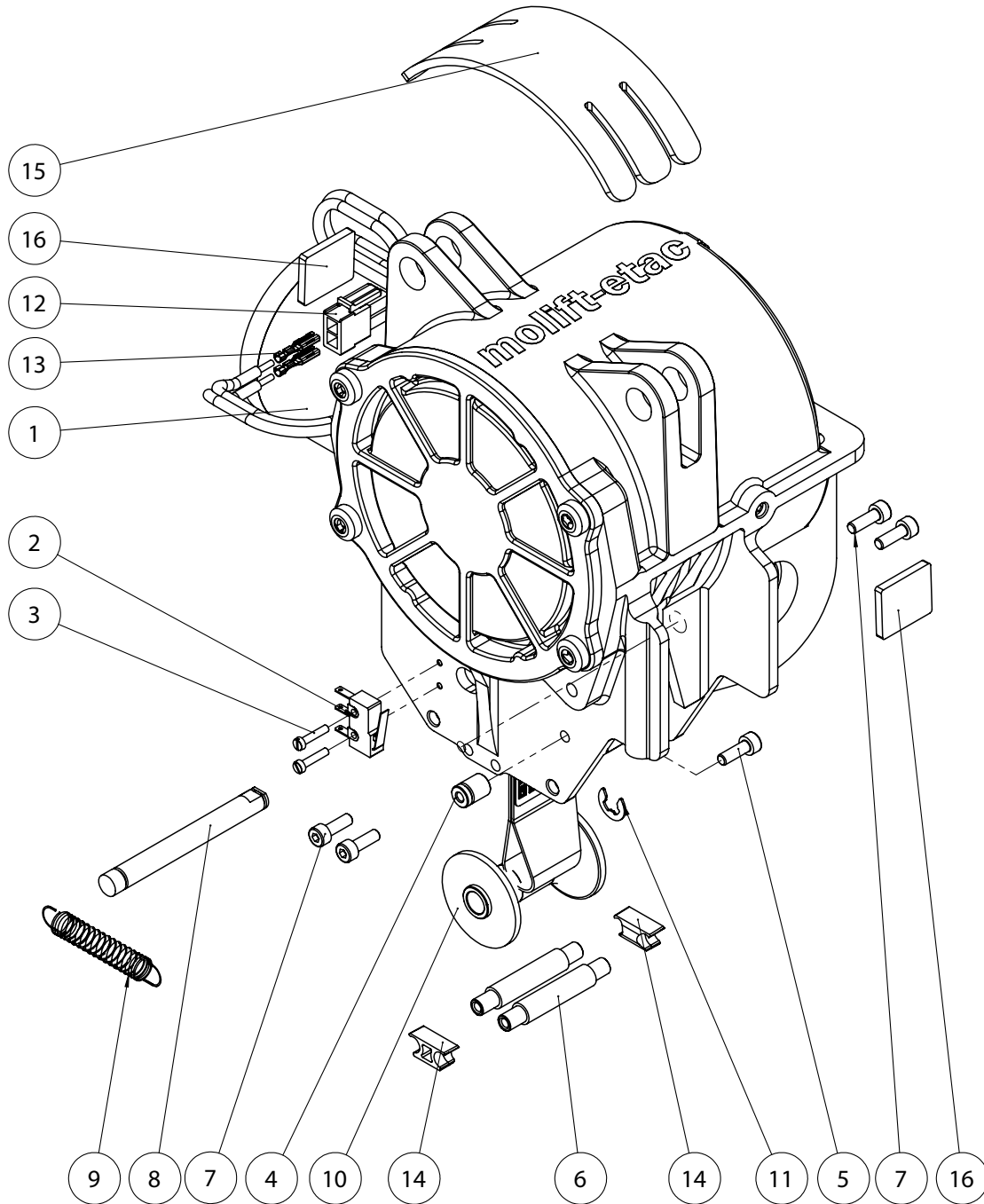
Pos	Article no.	Description
1	2510342	Lower Cover Assy
2	2510345	Offlead Angle Sensor Assy
3	2510352	Bottom Plate
4	2510343	Emergency Lowering Switch
5	2510003	Emergency Stop Knob
6	1101588	Rope
7	1101587	Knob Red (Rope End)
8	2510099	PVC-pipe
9	2540112	Main PCB Molift Air
10	2920035	Screw plastic
11	2510364	Sensor Cable
12	2510353	Motor Assy
13	0920202	Screw, Button Head Socket Cap
14	2510358	Emergency Lowering & Stop Cable
15	2920204	LiFePo-Battery
16	2510430	Battery Clamp
17	2510305	Allen Key 3,5mm 90-degrees
18	2510306	Allen Key 3,5mm Straight
19	2510004	Upper Cover
20	1220330	Screw, Reform
21	2510339	Quick Release Unit
22	2510309	Label Emergency Lowering
23	1101432	Wire Clamp 4,8mm
24	1100303	Label: Safety Check
25	2510005	Side Cover
26	2510354	Label: Molift AIR 350
27	2510363	Quick Release for Alu spreader bar
28	0421135	Dekal ID no.
29	1240199	Bag of screws
30	2510270	Carboard Assy
31	2510439	Battery Base
32	2510391	Ferrite



2510353 Motor Assy Molift Air 350

Pos	Article no.	Description
1		Gear Box
2	1220116	Microswitch Alternative Microswitch
3		Screw, Slottet Cheese Head
4		Spring Perch
5	1410134	Screw, Socket Head cap
6		Axle
7	1220155	Axle for Guiding Drum
8	1220194	Extension Spring
9	1220158	Guiding Drum

10	1220313	Circlip
11		Crimp Terminal Crimp terminal Alt.
12		Constrictor
13	2510206	Plate IP-sealing
14	2510207	Plate IP-sealing smal
15		Housing Molex Housing: Alt.
16		Trigger Arm
17		Screw, Socket Head Cap



2510347 Motor Assy Molift Air 200

Pos	Article no.	Description
1		Gear Box
2		Microswitch Alternative Microswitch
3		Screw, Slotted Cheese Head
4		Spring Perch
5	1410134	Screw, Socket Head cap
6		Axle
7	1410134	Screw, Socket Head Cap
8	1220155	Axle for Guiding Drum

9	1220194	Extension Spring
10	1220158	Guiding Drum
11	1220313	Circlip
12		Housing Molex Housing: Alt.
13		Crimp Terminal Crimp terminal Alt.
14		Constrictor
15	2510206	Plate IP-sealing
16	2510207	Plate IP-sealing smal

Spare part list

Recommended spare parts to keep in stock for
Service personnel.

Article no.	
2540100	Charger AIR 200 / 350
2510023	Battery 26,4 V NiMH Molift Air 200 / 350
2510429	Lifting Belt Molift Air 200
2510427	Lifting Belt Molift Air 350
2530002	Hand Control 2 buttons w/charging
2532002	Hand Control 4 buttons w/charging
2531002	Hand Control 2 buttons
2533002	Hand Control 4 buttons
2510005	Side Cover
2510004	Upper Cover
2510342	Lower Cover Assy
2510352	Bottom Plate
2510339	Quick Release Unit
1220116	Microswitch
2510345	Offlead Angle Sensor Assy
2540112	Main PCB Molift Air 350
2530112	Main PCB Molift Air 200
2510363	Quick Release for Alu spreader bar
2510430	Battery Clamp LiFePo
2510346	Battery Clamp SLA
2510362	Rubber Cap
1101588	4mm red Polyester/cotton cord
1101587	Knob Red (Cord End)
2510003	Emergency Stop Knob
2510099	Tube 6/8mm red Length 35 cm
2510137	Allen key 90 degrees
2510136	Allen key
2510035	Emergency stop/lowering label
2510340	Service/battery label
2510079	Manual Emergency lowering label
1100303	Safety Check (Periodic control) label
1100306	Month/year (Periodic control) label
2510439	Main label 200
2510078	Main label 350
1220194	Extension Spring