

panther

Exploded views / Part lists

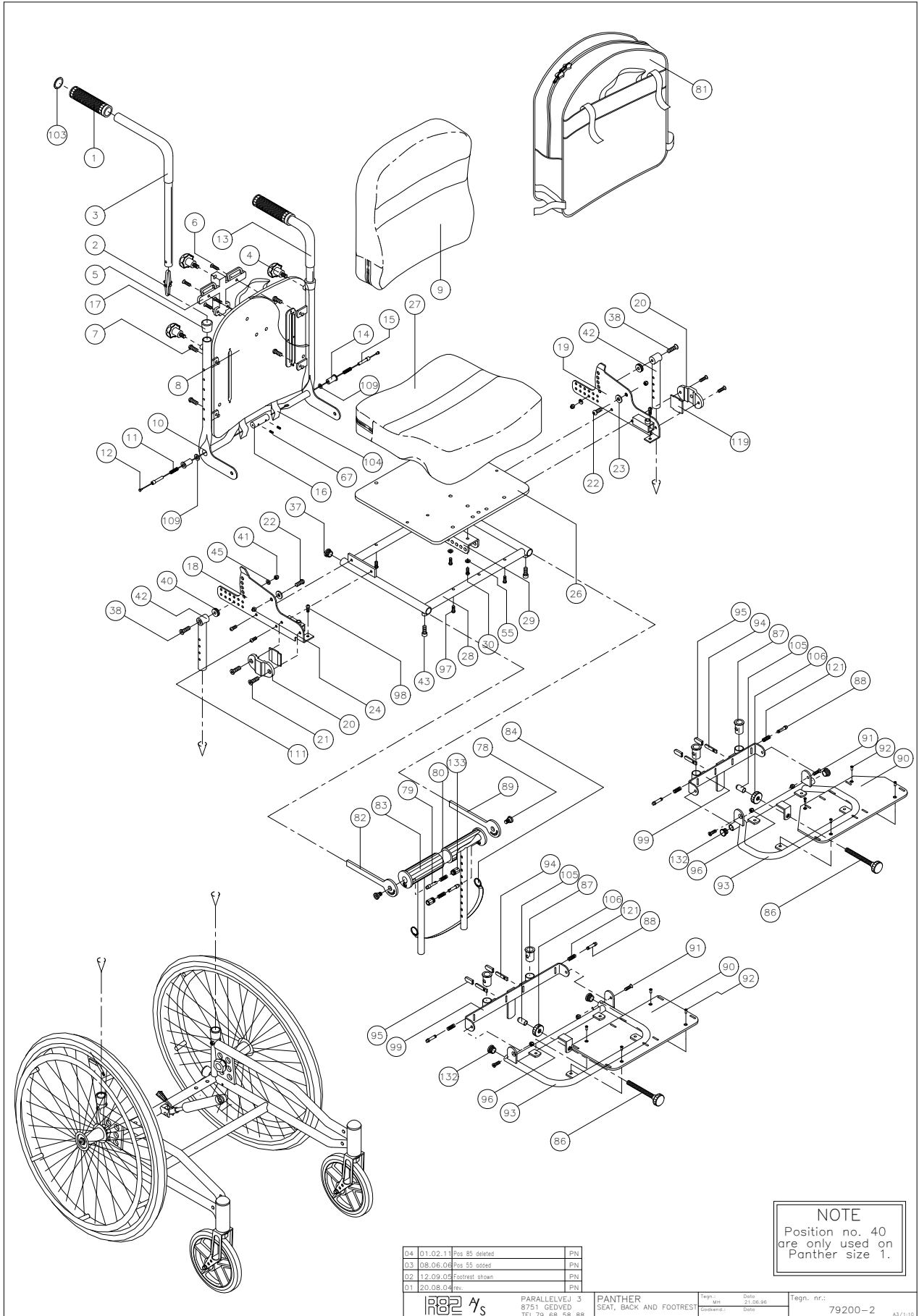
Rev. date (May 2012)

On the following pages you will find the parts used to assemble this product. Please note that some spare parts cannot be purchased individually but are part of a complete kit. Please also note that for some spare parts extra delivery time may occur.



Contents

Seat and back.....	3
Frame.....	8
Panther with 12½" wheels	11
Panther with drum brake	13
Trays, Back extension, Push Brace	
Shoulder support, Fixed Side supports and Pommel	18
Combi Folding Top	21



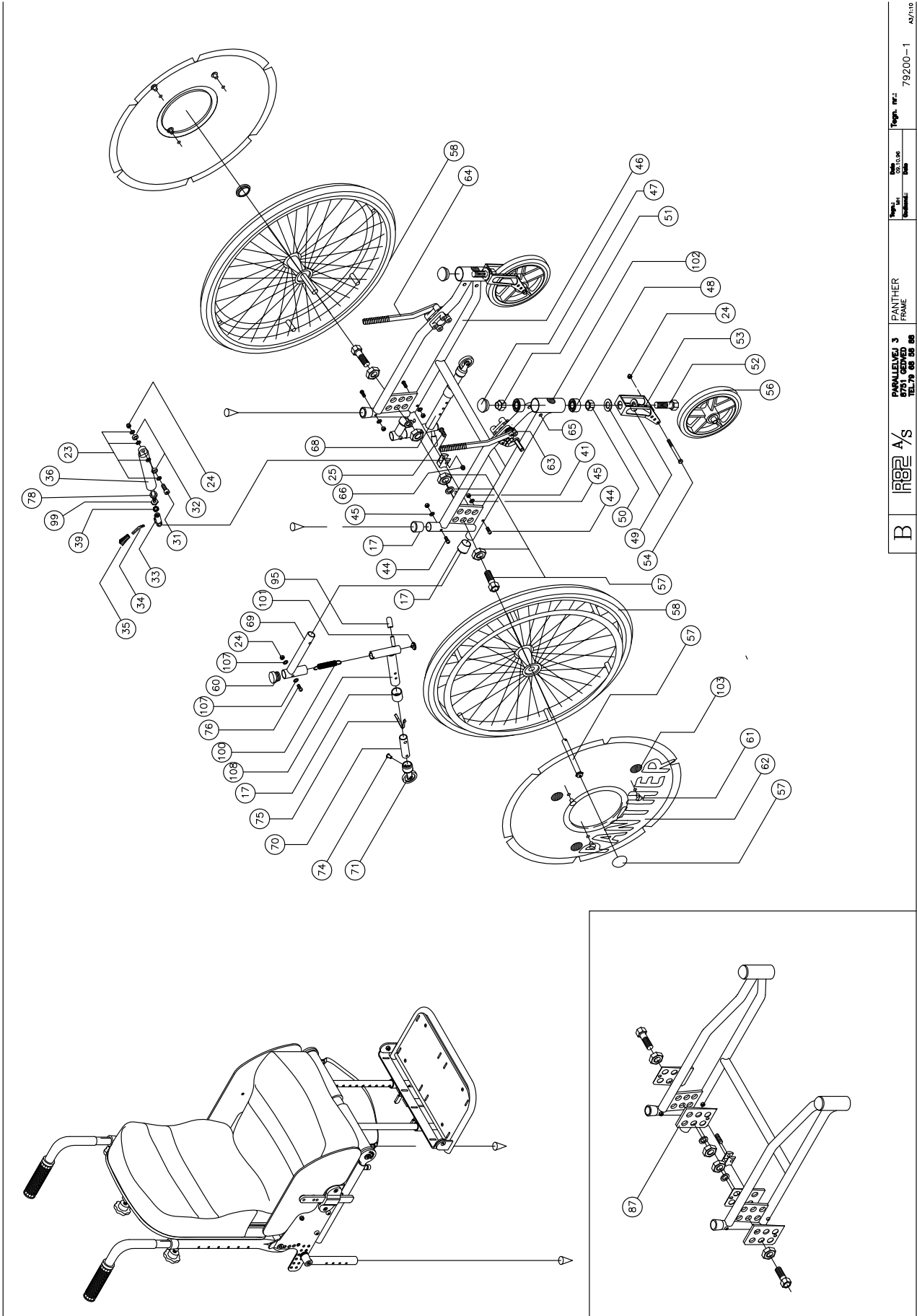
Position	No.	Description	Quantity	Unit of Measure	Ean code
1	2500612	GRIPS OPEN-END TYPE	2	PCS	5707292143778
2	6153500	KNOB SPRING 0,5*6,5 MM.	4	PCS	5707292188571
3	72220	HAND BRACE PANTHER, RIGHT	1	PCS	5707292106711
4	3503001	R82 HANDLE M8*15MM SCREW	2	PCS	5707292413925
5	81138	MOUNTING FOR HEADREST W.STRAP	1	PCS	5707292112637
6	0611600	INSEX SCREW COUNTERS. 6*12	4	PCS	5707292138705
7	0641600	BUTTON HEAD SCREW 6*16	4	PCS	5707292139269
8*	5026200	UPHOLSTERED WOODEN BACK SIZE 1	1	PCS	5707292157058
	5026201	UPHOLSTERED WOODEN BACK SIZE 2	1	PCS	5707292157065
	5026202	UPHOLSTERED WOODEN BACK SIZE 3	1	PCS	5707292157072
	5026206	UPHOLSTERED WOODEN BACK SIZE 4	1	PCS	5707292157119
	5026203	UPH. WOODEN BACK SIZE 1, +5 CM	1	PCS	5707292157089
	5026204	UPH. WOODEN BACK SIZE 2, +5 CM	1	PCS	5707292157096
	5026205	UPH. WOODEN BACK SIZE 3, +5 CM	1	PCS	5707292157102
	5026207	UPH. WOODEN BACK SIZE 4, +5 CM	1	PCS	5707292157126
9*	94741-1XX	BACKREST CUSH,PANTHER 1	1	PCS	
	94741-2XX	BACKREST CUSH,PANTHER 2	1	PCS	
	94741-3XX	BACKREST CUSH,PANTHER 3	1	PCS	
	94741-4XX	BACKREST CUSH,PANTHER 4	1	PCS	
	94744-1XX	BACKREST CUSH.+5CM,PANTHER 1	1	PCS	
	94744-2XX	BACKREST CUSH.+5CM,PANTHER 2	1	PCS	
	94744-3XX	BACKREST CUSH.+5CM,PANTHER 3	1	PCS	
	94744-4XX	BACKREST CUSH.+5CM,PANTHER 4	1	PCS	
10*	72190-50	BACK BRACE,COMPLETE, PANTHER 1	1	PCS	5707292224330
	72190-51	BACK BRACE, COMPLETE	1	PCS	5707292224347
	72191-50	BACK BRACE COMPLETE, SZ 2,PINK	1	PCS	5707292224378
	72191-51	BACKBRACE COMPLETE, SZ 2,BLUE	1	PCS	5707292224385
	72192-50	BACKBRACE COMPLETE, SZ 3,PINK	1	PCS	5707292224415
	72192-51	BACKBRACE COMPLETE, SZ 3,BLUE	1	PCS	5707292224422
	72199-50	BACKBRACE COMPLETE, SZ 4,PINK	1	PCS	5707292224453
	72199-51	BACKBRACE COMPLETE, SZ 4,BLUE	1	PCS	5707292224460
11	0310100	PRESSURESPRING 25 MM F.SPINDEL	1	PCS	5707292135513
12	0371850	STRAINED WIRE 1,5-19 TR.1	2	PCS	5707292135872
13	72221	HAND BRACE PANTHER, LEFT	1	PCS	5707292106728
14	6109205	SPRINGHOUSE BACKADJUST.PANTHE	1	PCS	5707292185969
15	6109210	PIN FOR CABLE, PANTHER	1	PCS	5707292185976
16	6109220	RELEASEHANDLE BACKADJUST.PANTH	1	PCS	5707292185990
17	72215	FERRULE FOR PANTHER	6	PCS	5707292106667
18	72132	MOUNTING F/ RIGHT SIDE PANTHER	1	PCS	5707292105882
19	72133	MOUNTING F/ LEFTT SIDE PANTHER	1	PCS	5707292105875
20	72134	MOUNTING FOR ARMREST	1	PCS	5707292105899
21	0621000	INSEX COUNTERS. 6*10	2	PCS	5707292138941
23	1102000	PLANING WASHER 8MM	2	PCS	5707292140227
24	1607000	LOCK NUT 8MM, LARGE PACK	3	PCS	5707292141378
26*	94642-1	UPHOLST.WOODEN SEAT,PANTHER S1	1	PCS	5707292327048
	94642-2	WOODEN SEAT SIZE 2, PANTHER	1	PCS	5707292327062
	94642-3	WOODEN SEAT SIZE 3, PANTHER	1	PCS	5707292327086
	94642-4	WOODEN SEAT SIZE 4, PANTHER	1	PCS	5707292327109

27*	94742-1XX	SEAT CUSHION,PANTHER 1	1	PCS	
	94742-2XX	SEAT CUSHION,PANTHER 2	1	PCS	
	94742-3XX	SEAT CUSHION,PANTHER 3	1	PCS	
	94742-4XX	SEAT CUSHION,PANTHER 4	1	PCS	
	94745-1XX	SEAT CUSHION+5CM,PANTHER 1	1	PCS	
	94745-2XX	SEAT CUSHION+5CM,PANTHER 2	1	PCS	
	94745-3XX	SEAT CUSHION+5CM,PANTHER 3	1	PCS	
	94745-4XX	SEAT CUSHION+5CM,PANTHER 4	1	PCS	
	94746-1XX	SEAT CUSHION+10CM,PANTHER 1	1	PCS	
	94746-2XX	SEAT CUSHION+10CM,PANTHER 2	1	PCS	
	94746-3XX	SEAT CUSHION+10CM,PANTHER 3	1	PCS	
	94746-4XX	SEAT CUSHION+10CM,PANTHER 4	1	PCS	
28*	72160-50	FRAME UPPERPART, PANTHER 1	1	PCS	5707292224033
	72160-51	FRAME UPPERPART,PANTHER 1	1	PCS	5707292224040
	72161-50	FRAME UPPERPART,PANTHER 2	1	PCS	5707292224071
	72161-51	FRAME UPPERPART,PANTHER 2	1	PCS	5707292224088
	72162-50	FRAME UPPERPART,PANTHER 3	1	PCS	5707292224118
	72162-51	FRAME UPPERPART,PANTHER 3	1	PCS	5707292224125
	72163-50	FRAME UPPERPART,PANTHER 4	1	PCS	5707292224156
	72163-51	FRAME UPPERPART,PANTHER 4	1	PCS	5707292224163
	72380-50	FRAME UPPERPART,PANTHER 1,+5CM	1	PCS	5707292225979
	72380-51	FRAME UPPERPART,PANTHER 1,+5CM	1	PCS	5707292225986
	72381-50	FRAME UPPERPART,PANTHER 2,+5CM	1	PCS	5707292226006
	72381-51	FRAME UPPERPART,PANTHER 2,+5CM	1	PCS	5707292226013
	72382-50	FRAME UPPERPART,PANTHER 3,+5CM	1	PCS	5707292226044
	72382-51	FRAME UPPERPART,PANTHER 3,+5CM	1	PCS	5707292226051
	72183-50	FRAME UPPERPART,PANTHER 4+,5CM	1	PCS	5707292226082
	72183-51	FRAME UPPERPART,PANTHER 4+,5CM	1	PCS	5707292226099
29	72141	MOUNTING F/SEATTILT./PANTHER	1	PCS	5707292105967
30	0641200	BUTTON HEAD SCREW 6*12	4	PCS	5707292139252
37	2502500	FERRULE D20*1,0-2,0 INT.BLACK	2	PCS	5707292144027
38*	0624000	INSEX SCREW COUNTERS. 6*40	2	PCS	5707292139016
	0623500	INSEX SCREW COUNTERS. 6*35	2	PCS	5707292139009
40	81973	WHEEL Ø21/6,5X6 F.FOOTSUP.IMP.	2	PCS	5707292120410
41	1606500	LOCK NUT 6 MM	14	PCS	5707292141361
42	72155	HIGHTADJUST. TUBE, PANTHER	2	PCS	5707292106094
43	0602900	INSEX SCREW 8*16	2	PCS	5707292138200
45	1103000	FAZET WASHER 6MM	6	PCS	5707292140289
55	1100800	CENTER SPRING WASHER 6MM	2	PCS	5707292140166
67	0690800	STOP SCREW WITH CRATER 4*6MM	2	PCS	5707292139764
78	6109001	SPEC. SCREW, M8,PANTHER/TIGER	2	PCS	5707292185914
79	6108172	LOCK PIN	2	PCS	5707292185556
80	0310122	COMPRESSION SPRING 0,9*8U	2	PCS	5707292135544
81*	0581015	R82 KNAPSACK BLACK SIZE 1+2	1	PCS	5707292137692
	0581020	R82 KNAPSACK BLACK SIZE 3+4	1	PCS	5707292137708
82*	70184	MOUNTING FOR FOOTREST, TIGER	1	PCS	5707292101747
	72357	BESLAG FOR FODST.PANTHER,HØJ.	1	PCS	5707292107886
	72234	MOUNTING FOOTREST RIGHT,SZ. 2	1	PCS	5707292106841

83*	70174	SEAT EXTENSION W/PU-FOAM,SZ.1	1	PCS	5707292101686
	72300	SEAT EXTENSION SIZE 3,PANTHER	1	PCS	5707292107466
	70175	SEAT EXTENSION W/PU-FOAM,SZ.2	1	PCS	5707292101693
84*	5550040	GIRTHEBAND F/FOOTR.S.1,PANTHER	1	PCS	5707292178350
	5550060	GIRTHEBAND F/FOOTR.S.3,PANTHER	1	PCS	5707292178374
	5550050	GIRTHEBAND F/FOOTR.PANTHER	1	PCS	5707292178367
86	3502750	HANDGRIP 28MM, M10*75MM,THREAD	1	PCS	5707292363114
87	6109350	BUSH FOR FOOTREST	2	PCS	5707292186089
88	6108174	LOCK PIN	2	PCS	5707292185563
89*	70189	MOUNTING FOR LEFT FOOT SUPPORT	1	PCS	5707292101785
	72358	MOUNTING FOOTREST LEFT, SZ 1	1	PCS	5707292107893
	72235	MOUNTING FOOTREST, LEFT, SZ. 2	1	PCS	5707292106858
90*	72263	PLATE FOR FOOTREST, PANTH.1+2	1	PCS	5707292107138
	72269	PLATE FOR FOOTREST,NEW MODEL	1	PCS	5707292107190
	72299	PLATE FOR FOOTREST SZ. 1 & 2	1	PCS	5707292107459
	72264	PLATE FOR FOOTREST, PANTHER 3	1	PCS	5707292107145
90	72263	PLADE FOR FODSTØTTE, PANTH.1+2	1	PCS	5707292107138
91	0611600	INSEX SCREW COUNTERS. 6*12	2	PCS	5707292138705
92	0506508	RIVET 5*14 STAINLESS	4	PCS	5707292359476
93*	72255	FOOTREST FRAME SZ.1+2,BLACK	1	PCS	5707292107053
	72255-50	FOOTREST FRAME SZ.1+2,PINK	1	PCS	5707292224514
	72255-51	FOOTREST FRAME SZ.1+2,BLUE	1	PCS	5707292224521
	72266	FOOTREST FRAME NEW MODEL,3+4, BLACK	1	PCS	5707292107169
	72266-50	FOOTREST FRAME, NEW MODEL,3+4, PINK	1	PCS	5707292224668
	72266-51	FOOTREST FRAME NEW MODEL, 3+4, BLUE	1	PCS	5707292224675
	72279	FOOTREST FRAME NEW MODEL,1+2, BLACK	1	PCS	5707292107282
	72279-50	FOOTREST FRAME NEW MODEL,1+2, PINK	1	PCS	5707292224729
	72279-51	FOOTREST FRAME NEW MODEL,1+2, BLUE	1	PCS	5707292224736
	72256	FOOTREST FRAME SZ.3+4,BLACK	1	PCS	5707292107060
	72256-50	FOOTREST FRAME SZ 3+4, PINK	1	PCS	5707292224545
	72256-51	FOOTREST FRAME SZ.3+4,BLUE	1	PCS	5707292224552
94	6108176	MOUNTING F. RELEASE HANDLE	2	PCS	5707292185570
95	3501850	BLACK PVC CAP 5,5*24MM	2	PCS	5707292146779
96	1606500	LOCK NUT 6 MM	2	PCS	5707292141361
97	0623200	INSEX SCREW COUNTERS. 6*30	4	PCS	5707292138996
98	0641200	BUTTON HEAD SCREW 6*12	2	PCS	5707292139252
99*	72259	FOOTREST MOUNTING,1+2,BLACK	1	PCS	5707292107091
	72259-50	FOOTREST MOUNTING,1+2,PINK	1	PCS	5707292224576
	72259-51	FOOTREST MOUNTING,1+2,BLUE	1	PCS	5707292224583
	72268	FOOTREST MOUNTING, NEW MODEL, 3+4 BLACK	1	PCS	5707292107183
	72268-50	FOOTREST MOUNTING, NEW MODEL, 3+4 PINK	1	PCS	5707292224699
	72268-51	FOOTREST MOUNTING, NEW MODEL, 3+4 BLUE	1	PCS	5707292224705
	72262	FOOTREST MOUNTING, 1+2, NEW MODEL,BLACK	1	PCS	5707292107121
	72262-50	FOOTREST MOUNTING, 1+2, NEW MODEL, PINK	1	PCS	5707292224637
	72262-51	FOOTREST MOUNTING, 1+2, NEW MODEL, BLUE	1	PCS	5707292224644
	72260	FOOTREST MOUNTING, 3,BLACK	1	PCS	5707292107107
	72260-50	FOOTREST MOUNTING, 3,PINK	1	PCS	5707292224606
	72260-51	FOOTREST MOUNTING, 3,BLUE	1	PCS	5707292224613
103	0494523	REFLEX 22 MM, YELLOW	6	PCS	5707292137241
104	5550110	BELT FOR BACK RECLINE, PANTHER	1	PCS	5707292178428

105	3501853	BLACK PVC CAP 9.5 * 13MM	1	PCS	5707292377128
106	6109240	LOCK NUT FOR FOOTREST	1	PCS	5707292186010
109	1145050	LOCK WASHER 5MM AXLE	1	PCS	5707292140579
111	0641000	BUTTON HEAD SCREW 6*10	4	PCS	5707292139238
119	82408	UNDERLAYING PLATE, PVC ARMREST	1	PCS	5707292124043
121	0310100	PRESSURESPRING 25 MM F.SPINDEL	2	PCS	5707292135513
132	2501600	FERRULE D15*1,0 BLACK	2	PCS	5707292143969
133	6108222	SPRINGHOUSE	2	PCS	5707292185747
	0611600	INSEX SCREW COUNTERS. 6*12	2	PCS	5707292138705
	6108222	SPRINGHOUSE	2	PCS	5707292185747

	XX	CHOOSE COLOUR CODE: 60: BLACK, 70: BLACK ABC
*		CHOOSE SIZE

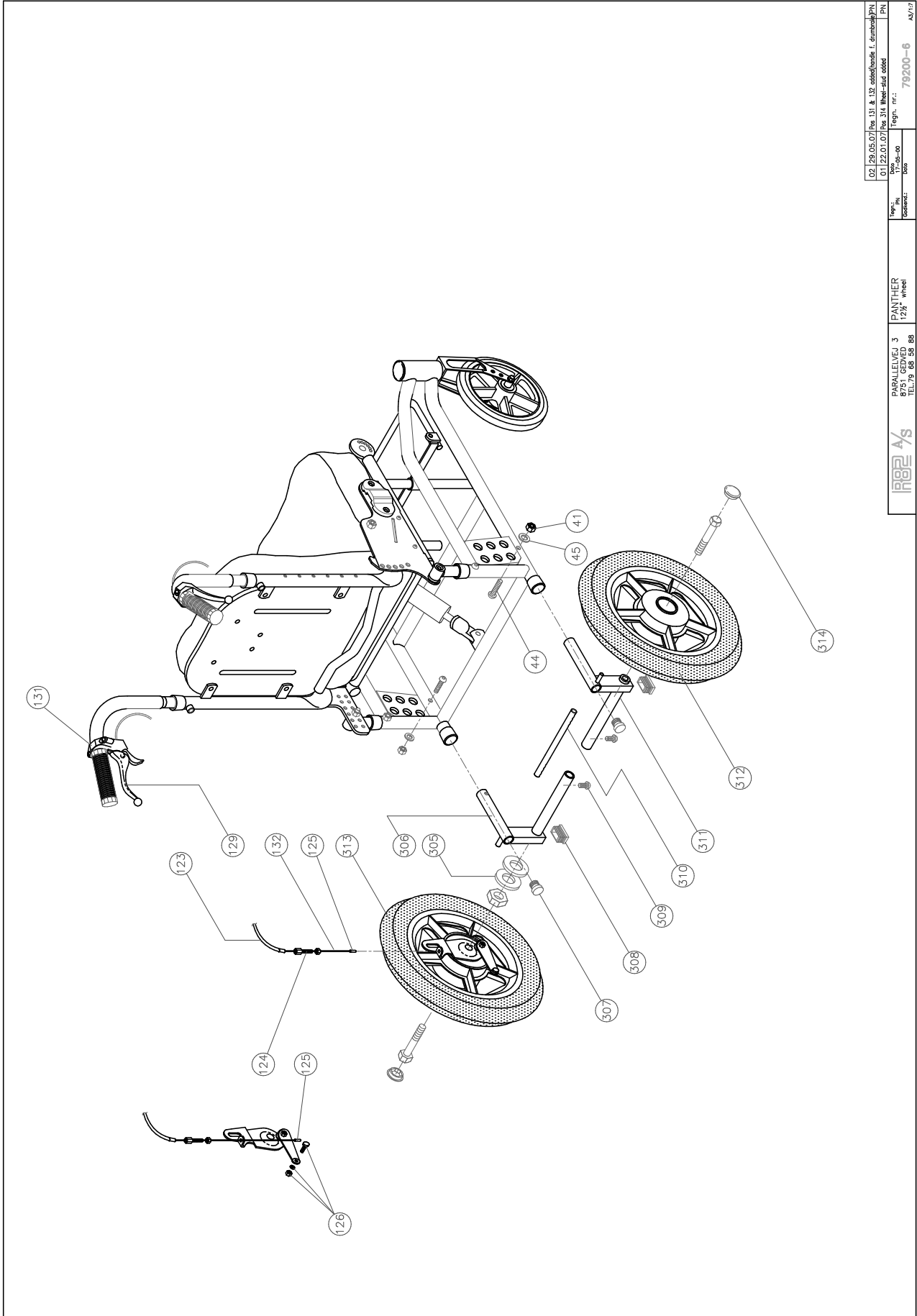


B	R82 A/S	PARALLELVEJ 3 8751 GEDVED TEL: 79 68 88	PANTHER FRAME	Part. no.	79200-1
				Part. no.	79200-1

Position	No.	Description	Quantity	Unit of Measure	Ean code
17	72215	FERRULE FOR PANTHER	6	PCS	5707292106667
23	1102000	PLANING WASHER 8MM	2	PCS	5707292140227
24	1607000	LOCK NUT 8MM, LARGE PACK	3	PCS	5707292141378
24	1606500	LOCK NUT 6 MM	2	PCS	5707292141361
25	0663035	BUTTON HEAD M8*35, RUSTFRI	1	PCS	5707292139627
31	0603550	INSEX SCREW 8*50	1	PCS	5707292138255
32	1350100	DISTANCE PART BLACK 8,2*18*10	2	PCS	5707292140937
33	6118820	HOUSE FOR GASSPRING, BLACK	1	PCS	5707292186720
34	2200015	ARM FOR RELEASE 30MM, PANTHER	1	PCS	5707292143006
35	2200030	BUTTON FOR RELEASE ARM	1	PCS	5707292143051
36	2203329	BLOC-O-LIFT 5219HC 200 N	1	PCS	5707292143259
36	2203511	BLOC-O-LIFT 732052, 400N	1	PCS	5707292143310
39	1141000	SAFETY WASHER 10MM	1	PCS	5707292140555
41	1606500	LOCK NUT 6 MM	14	PCS	5707292141361
44*	0659580	BUTTON HEAD SCREW 6*30 MM	4	PCS	5707292139481
	1851600	STEEL SET SCREW	4	PCS	5707292141897
45	1103000	FAZET WASHER 6MM	6	PCS	5707292140289
46*	72115-50	FRAME LOWERPART PANTHER 1,PINK	1	PCS	5707292223616
	72115-51	FRAME LOWERPART PANTHER 1,BLUE	1	PCS	5707292223623
	72116-50	FRAME LOWERPART PANTHER 2,PINK	1	PCS	5707292223654
	72116-51	FRAME LOWERPART PANTHER 2,BLUE	1	PCS	5707292223661
	72117-50	FRAME LOWERPART PANTHER 3,PINK	1	PCS	5707292223692
	72117-51	FRAME LOWERPART PANTHER 3,BLUE	1	PCS	5707292223708
	72118-50	FRAME LOWERPART PANTHER 4,PINK	1	PCS	5707292223739
	72118-51	FRAME LOWERPART PANTHER 4,BLUE	1	PCS	5707292223746
47	2503940	FERRULE 32*1,0-2,0 INNER BLACK	2	PCS	5707292144072
48	2985220	BALL BEARING FOR BEARING HOUSE	4	PCS	5707292145420
49	1104050	FAZET WASHER 1/2	4	PCS	5707292140333
50	1604500	STEEL NUT 12MM, LARGE PACK	2	PCS	5707292141309
51	1608000	LOCK NUT 12MM, LARGE PACK	2	PCS	5707292141392
52	1902395	STEEL SET SCREW 12*90MM	2	PCS	5707292142054
53	2965200	FRONT FORK BLACK 60MM	2	PCS	5707292144966
54	1906550	STEEL BOLT 6*70MM	2	PCS	5707292142429
56*	3007800	150*30 WHEEL BLACK/POLYET.LANE	2	PCS	5707292145970
	3007700	175*30 WHEEL BLACK/POLYET.LANE	2	PCS	5707292145949
	3007805	150*30 BLACK/PNEUM. WHEEL	2	PCS	5707292145987
	3007910	175*40 BLACK/PNEUM. WHEEL	2	PCS	5707292146045
	3007735	WHEEL 140*40MM WITH RUBBER	2	PCS	5707292145956
	3007875	175*40 WHEEL BLACK PUR NAV60	2	PCS	5707292146021
57	2985065	COMPL. STAINLESS QUICK-RELEASE	2	PCS	5707292145345
58*	3201000	20" QR WHEEL,PUSHRIM,TYRE/TUBE	2	PCS	5707292146397
	3203000	22" QR WHEEL,AIR,DRIVE RING	2	PCS	5707292146410
	3205000	24" QR WHEEL,AIR,DRIVE RING	2	PCS	5707292146441
	3202000	20" QR WHEEL,FLEXEL,DRIVE RING	2	PCS	5707292146403
	3204000	22" QR WHEEL, FLEXEL, PUSHRIM	2	PCS	5707292146434
	3206000	24" QR WHEEL,FLEXEL,DRIVE RING	2	PCS	5707292146458
	3104800	22" DB WHEEL,TUBE/TYRE,PUSHRM	2	PCS	5707292146328
	3104900	22" WHEEL C.S. DB, FLEX, BLACK	2	PCS	5707292146335
59	72114	WASHER FOR SPOKEPROTECTOR	6	PCS	5707292105691

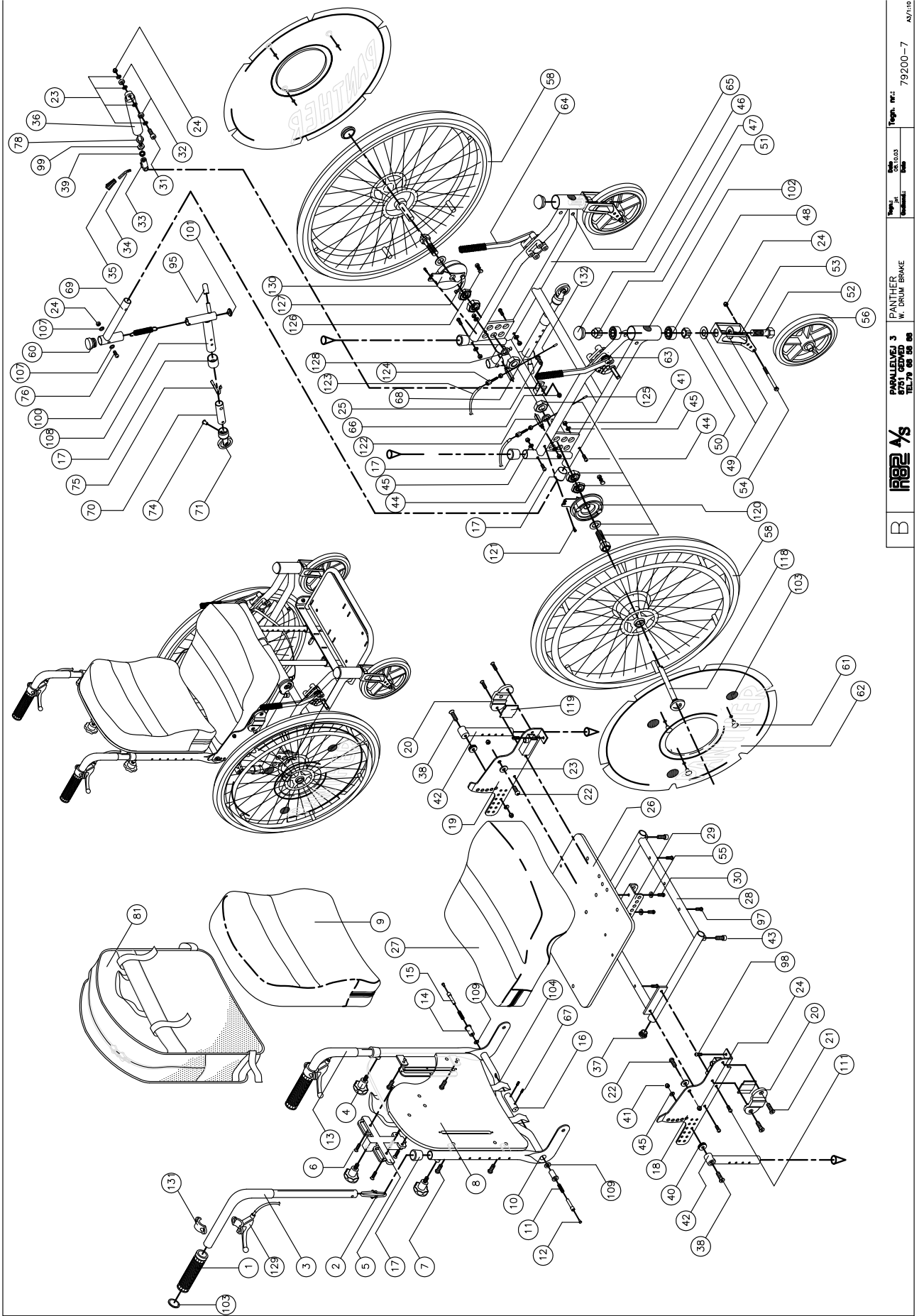
60	2503010	FERRULE D22*1,8-3,5, BLACK	2	PCS	5707292357632
61	72207	BLACK SCREW	6	PCS	5707292106582
62*	2983010	20" SPOKEPROTECTORS,PINK,CLEAR	2	PCS	5707292145109
	2983000	20" SPOKEPROTECTORS BLUE,CLEAR	2	PCS	5707292145093
	2983210	22" SPOKEPROTECTOR PINK, CLEAR	2	PCS	5707292145208
	2983200	22" SPOKEPROTECTOR,BLUE,CLEAR	2	PCS	5707292145185
	2983410	24" SPOKEPROTECTOR,PINK,CLEAR	2	PCS	5707292145260
	2983400	24" SPOKEPROTECTOR,BLUE,CLEAR	2	PCS	5707292145253
	2983213	22" SPOKEPROTECTOR, PINK F/ DB	2	PCS	5707292145215
	2983203	22" SPOKEPROTECTOR, BLUE F/ DB	2	PCS	5707292145192
63	5009600	RIGHT BRAKE FOR PANTHER	1	PCS	5707292154835
64	5009700	LEFT BRAKE FOR PANTHER	1	PCS	5707292154842
65	1310531	AFDÆKNINGSPROP, SORT Ø6,0 MM	16	PCS	5707292396211
66	1631080	STAINLESS LOCK NUT 8MM	1	PCS	5707292141453
68	72292	INNERTUBE F/TIP SAFETY, LEFT	1	PCS	5707292107398
69	72290	OUTERTUBE F/TIP SAFETY	2	PCS	5707292107374
70	72297	EXTENDINGTUBE F/TIP SAFETY	2	PCS	5707292107442
71	72298	HJULHOLDER FOR TIPSIKRING	2	PCS	5707292399564
74	0506519	STAINLESS BLIND RIVET 4*12	2	PCS	5707292137388
75	6153600	KNOB SPRING FOR TIGER FRAME	2	PCS	5707292188588
76	0659580	BUTTON HEAD SCREW 6*30 MM	2	PCS	5707292139481
77	72208	COVER FOR SCREW, BLACK	6	PCS	5707292106599
78	1310712	NYLON WASHER, NATURE	1	PCS	5707292356345
87	94186	WEDGE TO ELIMINATE CAMBER	1	SET	5707292131867
95	3501855	DUPSKO 8MM UDVENDIG SORT	2	PCS	5707292146786
99	1761000	COUNTER NUT 10*1,0 FINE THREAD	1	PCS	5707292141538
100	0310200	EXTENSION SPRING F/TIP SAFETY	2	PCS	5707292135711
101	6109360	SPRINGHOLDER FOR TIP SAFETY	2	PCS	5707292186096
102	0494522	REFLEX 22MM, GREY	2	PCS	5707292137234
103	0494523	REFLEX 22 MM, YELLOW	6	PCS	5707292137241
107	1103000	FAZET WASHER 6MM	2	PCS	5707292140289
108	72295	INNERTUBE F/TIP SAFETY, RIGHT	1	PCS	5707292107428

*		CHOOSE SIZE / COLOUR			
---	--	----------------------	--	--	--



02 29.05.07/rev. 13 & 132 omlæg/kende f. dimensioner 01 22.01.07/rev. 314. med-til-til 17-06-09 Dato	02 29.05.07/rev. 13 & 132 omlæg/kende f. dimensioner 01 22.01.07/rev. 314. med-til-til 17-06-09 Dato
ROE A/S	ROE A/S
PARALLELVEJ 3 8751 GEDVED TEL: 79 68 58 88	PARANTHER 12A WHEEL
	79200-6 A4/17

Position	No.	Description	Quantity	Unit of Measure	Ean code
41	1606500	LOCK NUT 6 MM	14	PCS	5707292141361
44	0659580	BUTTON HEAD SCREW 6*30 MM	4	PCS	5707292139481
45	1103000	FAZET WASHER 6MM	6	PCS	5707292140289
123	5002751	CABLE FOR BRAKE, 99CM	2	PCS	5707292413642
124	0380003	BRAKE ADJUSTER M6*24MM	2	PCS	5707292135964
125	0387000	END NIPPLE FOR WIRE	2	PCS	5707292136091
126	0380040	CABLE BENCH SCREW M5	2	PCS	5707292135988
129	3503535	BRAKE PARKING LEVER WO/CLAMP	2	PCS	5707292413536
131	3503536	CLAMP W/SCREWS	2	PCS	5707292427762
132	0371853	STRAINED WIRES 1,5MM 19T.	2	PCS	5707292135889
305	1103500	FAZET WASHER 12MM	2	PCS	5707292140326
306	72305	WHEEL SUSPENSION F/12½",LEFT	1	PCS	5707292107510
307	2502002	FERRULE D18*0,8-2,5 BLACK	2	PCS	5707292433947
308	2506500	FERRULE FR25*15*1,0-2,0 INT.B.	2	PCS	5707292144201
309	0641000	BUTTON HEAD SCREW 6*10	2	PCS	5707292139238
310	72306	AXLE FOR 12½"WHEEL SUSPENSION	1	PCS	5707292107527
311	72301	WHEEL SUSPENSION F/12½",RIGHT	1	PCS	5707292107473
312	3003000	12½*2 1/4" BLACK WHEEL,BR/RIGH	1	PCS	5707292145659
313	3002500	12½*2 1/4 BLACK WHEEL,BR/LEFT	1	PCS	5707292145642
314	2704300	BLACK HUB CAP FOR ROLKO WHEEL	2	PCS	5707292144515



B	R82 A/S	PARALLELVEJ 3 H. DRUM BROMSE TEL. 79 68 58 88	Type: 71 Version: 1000	Date: 05.05.03 Tegns. nr.: 79200-7 A2/110
			Panther 3 H. Drum Brome	

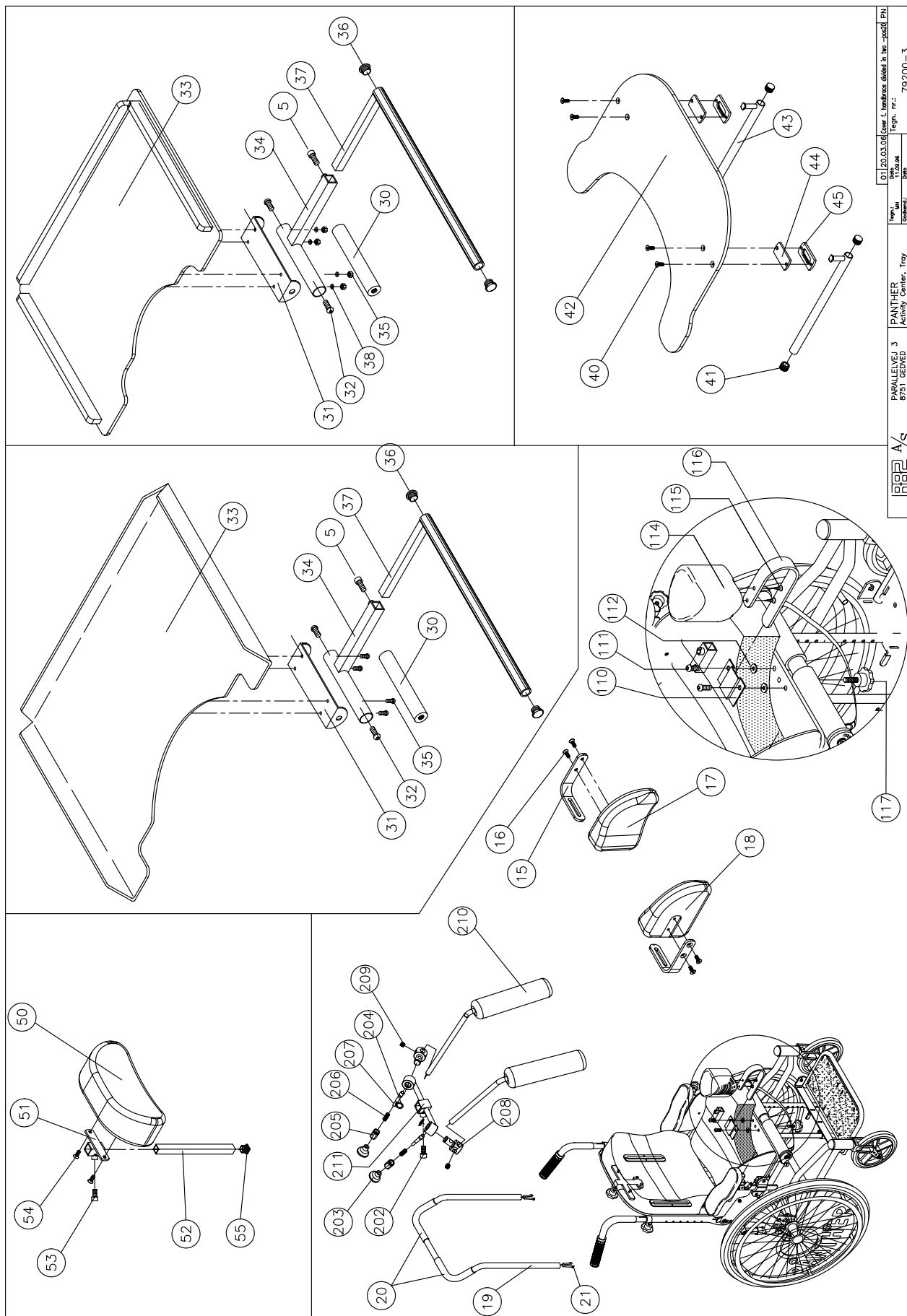
Position	No.	Description	Quantity	Unit of Measure	Ean code
1	2500612	GRIPS OPEN-END TYPE	2	PCS	5707292143778
2	6153500	KNOB SPRING 0,5*6,5 MM.	4	PCS	5707292188571
3	72220	HAND BRACE PANTHER, RIGHT	1	PCS	5707292106711
4	3501000	STAR GRAP Ø40 M8X15MM BLACK	3	PCS	5707292146700
5	81138	MOUNTING FOR HEADREST W.STRAP	1	PCS	5707292112637
6	0611600	INSEX SCREW COUNTERS. 6*12	4	PCS	5707292138705
7	0641600	BUTTON HEAD SCREW 6*16	4	PCS	5707292139269
8*	5026200	UPHOLSTERED WOODEN BACK SIZE 1	1	PCS	5707292157058
	5026204	UPHOLSTERED WOODEN BACK SIZE 2	1	PCS	5707292157096
	5026202	UPHOLSTERED WOODEN BACK SIZE 3	1	PCS	5707292157072
	5026206	UPHOLSTERED WOODEN BACK SIZE 4	1	PCS	5707292157119
9*	94741-1XX	BACKREST CUSH,PANTHER 1	1	PCS	
	94741-2XX	BACKREST CUSH,PANTHER 2	1	PCS	
	94741-3XX	BACKREST CUSH,PANTHER 3	1	PCS	
	94741-4XX	BACKREST CUSH,PANTHER 4	1	PCS	
	94744-1XX	BACKREST CUSH.+5CM,PANTHER 1	1	PCS	
	94744-2XX	BACKREST CUSH.+5CM,PANTHER 2	1	PCS	
	94744-3XX	BACKREST CUSH.+5CM,PANTHER 3	1	PCS	
	94744-4XX	BACKREST CUSH.+5CM,PANTHER 4	1	PCS	
10*	72190-50	BACK BRACE,COMPLETE, PANTHER 1	1	PCS	5707292224330
	72190-51	BACK BRACE, COMPLETE	1	PCS	5707292224347
	72191-50	BACK BRACE COMPLETE, SZ 2,PINK	1	PCS	5707292224378
	72191-51	BACKBRACE COMPLETE, SZ 2,BLUE	1	PCS	5707292224385
	72192-50	BACKBRACE COMPLETE, SZ 3,PINK	1	PCS	5707292224415
	72192-51	BACKBRACE COMPLETE, SZ 3,BLUE	1	PCS	5707292224422
	72199-50	BACKBRACE COMPLETE, SZ 4,PINK	1	PCS	5707292224453
	72199-51	BACKBRACE COMPLETE, SZ 4,BLUE	1	PCS	5707292224460
11	0310100	PRESSURESPRING 25 MM F.SPINDEL	1	PCS	5707292135513
12	0371850	STRAINED WIRE 1,5-19 TR.1	2	PCS	5707292135872
13	72221	HAND BRACE PANTHER, LEFT	1	PCS	5707292106728
14	6109205	SPRINGHOUSE BACKADJUST.PANTHE	1	PCS	5707292185969
15	6109210	PIN FOR CABLE, PANTHER	1	PCS	5707292185976
16	6109220	RELEASEHANDLE BACKADJUST.PANTH	1	PCS	5707292185990
17	72215	FERRULE FOR PANTHER	6	PCS	5707292106667
18	72132	MOUNTING F/ RIGHT SIDE PANTHER	1	PCS	5707292105882
19	72133	MOUNTING F/ LEFTT SIDE PANTHER	1	PCS	5707292105875
20	72134	MOUNTING FOR ARMREST	1	PCS	5707292105899
21	0621000	INSEX COUNTERS. 6*10	2	PCS	5707292138941
22	0661500	BUTTON HEAD SCREW 8*16 STAINL.	2	PCS	5707292139559
23	1102000	PLANING WASHER 8MM	2	PCS	5707292140227
24*	1607000	LOCK NUT 8MM, LARGE PACK	3	PCS	5707292141378
	1606500	LOCK NUT 6 MM	2	PCS	5707292141361
25	0663035	BUTTON HEAD M8*35, RUSTFRI	1	PCS	5707292139627
26*	94642-1	UPHOLST.WOODEN SEAT,PANTHER S1	1	PCS	5707292327048
	94642-2	WOODEN SEAT SIZE 2, PANTHER	1	PCS	5707292327062
	94642-3	WOODEN SEAT SIZE 3, PANTHER	1	PCS	5707292327086
	94642-4	WOODEN SEAT SIZE 4, PANTHER	1	PCS	5707292327109

27*	94742-1XX	SEAT CUSHION,PANTHER 1	1	PCS	
	94742-2XX	SEAT CUSHION,PANTHER 2	1	PCS	
	94742-3XX	SEAT CUSHION,PANTHER 3	1	PCS	
	94742-4XX	SEAT CUSHION,PANTHER 4	1	PCS	
	94745-1XX	SEAT CUSHION+5CM,PANTHER 1	1	PCS	
	94745-2XX	SEAT CUSHION+5CM,PANTHER 2	1	PCS	
	94745-3XX	SEAT CUSHION+5CM,PANTHER 3	1	PCS	
	94745-4XX	SEAT CUSHION+5CM,PANTHER 4	1	PCS	
	94746-1XX	SEAT CUSHION+10CM,PANTHER 1	1	PCS	
	94746-2XX	SEAT CUSHION+10CM,PANTHER 2	1	PCS	
	94746-3XX	SEAT CUSHION+10CM,PANTHER 3	1	PCS	
	94746-4XX	SEAT CUSHION+10CM,PANTHER 4	1	PCS	
28*	72160-50	FRAME UPPERPART, PANTHER 1	1	PCS	5707292224033
	72160-51	FRAME UPPERPART,PANTHER 1	1	PCS	5707292224040
	72161-50	FRAME UPPERPART,PANTHER 2	1	PCS	5707292224071
	72161-51	FRAME UPPERPART,PANTHER 2	1	PCS	5707292224088
	72162-50	FRAME UPPERPART,PANTHER 3	1	PCS	5707292224118
	72162-51	FRAME UPPERPART,PANTHER 3	1	PCS	5707292224125
	72163-50	FRAME UPPERPART,PANTHER 4	1	PCS	5707292224156
	72163-51	FRAME UPPERPART,PANTHER 4	1	PCS	5707292224163
	72380-50	FRAME UPPERPART,PANTHER 1,+5CM	1	PCS	5707292225979
	72380-51	FRAME UPPERPART,PANTHER 1,+5CM	1	PCS	5707292225986
	72381-50	FRAME UPPERPART,PANTHER 2,+5CM	1	PCS	5707292226006
	72381-51	FRAME UPPERPART,PANTHER 2,+5CM	1	PCS	5707292226013
	72382-50	FRAME UPPERPART,PANTHER 3,+5CM	1	PCS	5707292226044
	72382-51	FRAME UPPERPART,PANTHER 3,+5CM	1	PCS	5707292226051
	72183-50	FRAME UPPERPART,PANTHER 4+,5CM	1	PCS	5707292226082
	72183-51	FRAME UPPERPART,PANTHER 4+,5CM	1	PCS	5707292226099
29	72141	MOUNTING F/SEATTILT./PANTHER	1	PCS	5707292105967
30	0641200	BUTTON HEAD SCREW 6*12	4	PCS	5707292139252
31	0603550	INSEX SCREW 8*50	1	PCS	5707292138255
32	1350100	DISTANCE PART BLACK 8,2*18*10	2	PCS	5707292140937
33	6118820	HOUSE FOR GASSPRING, BLACK	1	PCS	5707292186720
34	2200015	ARM FOR RELEASE 30MM, PANTHER	1	PCS	5707292143006
35	2200030	BUTTON FOR RELEASE ARM	1	PCS	5707292143051
36*	2203329	BLOC-O-LIFT 5219HC 200 N	1	PCS	5707292143259
	2203511	BLOC-O-LIFT 732052, 400N	1	PCS	5707292143310
37	2502500	FERRULE D20*1,0-2,0 INT.BLACK	2	PCS	5707292144027
38*	0624000	INSEX SCREW COUNTERS. 6*40	2	PCS	5707292139016
	0623500	INSEX SCREW COUNTERS. 6*35	2	PCS	5707292139009
39	1141000	SAFETY WASHER 10MM	1	PCS	5707292140555
40	81973	WHEEL Ø21/6,5X6 F.FOOTSUP.IMP.	2	PCS	5707292120410
41	1606500	LOCK NUT 6 MM	14	PCS	5707292141361
42	72155	HIGHTADJUST. TUBE, PANTHER	2	PCS	5707292106094
43	0602900	INSEX SCREW 8*16	2	PCS	5707292138200
44*	0659580	BUTTON HEAD SCREW 6*30 MM	4	PCS	5707292139481
	1851600	STEEL SET SCREW	4	PCS	5707292141897
45	1103000	FAZET WASHER 6MM	6	PCS	5707292140289

46*	72115-50	FRAME LOWERPART PANTHER 1,PINK	1	PCS	5707292223616
	72115-51	FRAME LOWERPART PANTHER 1,BLUE	1	PCS	5707292223623
	72116-50	FRAME LOWERPART PANTHER 2,PINK	1	PCS	5707292223654
	72116-51	FRAME LOWERPART PANTHER 2,BLUE	1	PCS	5707292223661
	72117-50	FRAME LOWERPART PANTHER 3,PINK	1	PCS	5707292223692
	72117-51	FRAME LOWERPART PANTHER 3,BLUE	1	PCS	5707292223708
	72118-50	FRAME LOWERPART PANTHER 4,PINK	1	PCS	5707292223739
	72118-51	FRAME LOWERPART PANTHER 4,BLUE	1	PCS	5707292223746
47	2503940	FERRULE 32*1,0-2,0 INNER BLACK	2	PCS	5707292144072
48	2985220	BALL BEARING FOR BEARING HOUSE	4	PCS	5707292145420
49	1104050	FAZET WASHER 1/2	4	PCS	5707292140333
50	1604500	STEEL NUT 12MM, LARGE PACK	2	PCS	5707292141309
51	1608000	LOCK NUT 12MM, LARGE PACK	2	PCS	5707292141392
52	1902395	STEEL SET SCREW 12*90MM	2	PCS	5707292142054
53	2965200	FRONT FORK BLACK 60MM	2	PCS	5707292144966
54	1906550	STEEL BOLT 6*70MM	2	PCS	5707292142429
55	1100800	CENTER SPRING WASHER 6MM	2	PCS	5707292140166
56*	3007800	150*30 WHEEL BLACK/POLYET.LANE	2	PCS	5707292145970
	3007700	175*30 WHEEL BLACK/POLYET.LANE	2	PCS	5707292145949
	3007805	150*30 BLACK/PNEUM. WHEEL	2	PCS	5707292145987
	3007910	175*40 BLACK/PNEUM. WHEEL	2	PCS	5707292146045
	3007735	WHEEL 140*40MM WITH RUBBER	2	PCS	5707292145956
	3007875	175*40 WHEEL BLACK PUR NAV60	2	PCS	5707292146021
58*	3201000	20" QR WHEEL,PUSHRIM,TYRE/TUBE	2	PCS	5707292146397
	3203000	22" QR WHEEL,AIR,DRIVE RING	2	PCS	5707292146410
	3205000	24" QR WHEEL,AIR,DRIVE RING	2	PCS	5707292146441
	3202000	20" QR WHEEL,FLEXEL,DRIVE RING	2	PCS	5707292146403
	3204000	22" QR WHEEL, FLEXEL, PUSHRIM	2	PCS	5707292146434
	3206000	24" QR WHEEL,FLEXEL,DRIVE RING	2	PCS	5707292146458
	3104800	22" DB WHEEL,TUBE/TYRE,PUSHRM	2	PCS	5707292146328
	3104900	22" WHEEL C.S. DB, FLEX, BLACK	2	PCS	5707292146335
59	72114	WASHER FOR SPOKEPROTECTOR	6	PCS	5707292105691
60	2503010	FERRULE D22*1,8-3,5, BLACK	2	PCS	5707292357632
61	72207	BLACK SCREW	6	PCS	5707292106582
62*	2983010	20" SPOKEPROTECTORS,PINK,CLEAR	2	PCS	5707292145109
	2983000	20" SPOKEPROTECTORS BLUE,CLEAR	2	PCS	5707292145093
	2983210	22" SPOKEPROTECTOR PINK, CLEAR	2	PCS	5707292145208
	2983200	22" SPOKEPROTECTOR,BLUE,CLEAR	2	PCS	5707292145185
	2983410	24" SPOKEPROTECTOR,PINK,CLEAR	2	PCS	5707292145260
	2983400	24" SPOKEPROTECTOR,BLUE,CLEAR	2	PCS	5707292145253
	2983213	22" SPOKEPROTECTOR, PINK F/ DB	2	PCS	5707292145215
	2983203	22" SPOKEPROTECTOR, BLUE F/ DB	2	PCS	5707292145192
63	5009600	RIGHT BRAKE FOR PANTHER	1	PCS	5707292154835
64	5009700	LEFT BRAKE FOR PANTHER	1	PCS	5707292154842
65	1310531	AFDÆKNINGSPROP, SORT Ø6,0 MM	16	PCS	5707292396211
66	1631080	STAINLESS LOCK NUT 8MM	1	PCS	5707292141453
67	0690800	STOP SCREW WITH CRATER 4*6MM	2	PCS	5707292139764
68	72292	INNERTUBE F/TIP SAFETY, LEFT	1	PCS	5707292107398
69	72290	OUTERTUBE F/TIP SAFETY	2	PCS	5707292107374
70	72297	EXTENDINGTUBE F/TIP SAFETY	2	PCS	5707292107442

71	72298	HJULHOLDER FOR TIPSIKRING	2	PCS	5707292399564
74	0506519	STAINLESS BLIND RIVET 4*12	2	PCS	5707292137388
75	6153600	KNOB SPRING FOR TIGER FRAME	2	PCS	5707292188588
76	0659580	BUTTON HEAD SCREW 6*30 MM	2	PCS	5707292139481
77	72208	COVER FOR SCREW, BLACK	6	PCS	5707292106599
78	1310712	NYLON WASHER, NATURE	1	PCS	5707292356345
81*	0581015	R82 KNAPSACK BLACK SIZE 1+2	1	PCS	5707292137692
	0581020	R82 KNAPSACK BLACK SIZE 3+4	1	PCS	5707292137708
95	3501855	DUPSKO 8MM UDVENDIG SORT	2	PCS	5707292146786
97	0623200	INSEX SCREW COUNTERS. 6*30	4	PCS	5707292138996
98	0641200	BUTTON HEAD SCREW 6*12	2	PCS	5707292139252
99	1761000	COUNTER NUT 10*1,0 FINE THREAD	1	PCS	5707292141538
100	0310200	EXTENSION SPRING F/TIP SAFETY	2	PCS	5707292135711
101	6109360	SPRINGHOLDER FOR TIP SAFETY	2	PCS	5707292186096
102	0494522	REFLEX 22MM, GREY	2	PCS	5707292137234
103	0494523	REFLEX 22 MM, YELLOW	6	PCS	5707292137241
104	5550110	BELT FOR BACK RECLINE, PANTHER	1	PCS	5707292178428
107	1103000	FAZET WASHER 6MM	2	PCS	5707292140289
108	72295	INNERTUBE F/TIP SAFETY, RIGHT	1	PCS	5707292107428
109	1145050	LOCK WASHER 5MM AXLE	1	PCS	5707292140579
111	0641000	BUTTON HEAD SCREW 6*10	4	PCS	5707292139238
119	82408	UNDERLAYING PLATE, PVC ARMREST	1	PCS	5707292124043
120	2983022	BRAKE BACKING PLATE W/QR, S. B	1	PCS	5707292145147
121	1851600	STEEL SET SCREW	2	PCS	5707292141897
122	6109370	CABLE HOLDER FOR DRUM BR.PANTH	2	PCS	5707292186140
123	5002951	WIRE F/TIGER,PANTHER Ø200+10CM	2	PCS	5707292154644
124	0380003	BRAKE ADJUSTER M6*24MM	2	PCS	5707292135964
125	0387000	END NIPPLE FOR WIRE	2	PCS	5707292136091
126	0380040	CABLE BENCH SCREW M5	2	PCS	5707292135988
127	72285	BRAKE ARM FOR TB PANTHER, NEW	2	PCS	5707292107329
128	1101650	CENTER SPRING WASHER 16MM	2	PCS	5707292140203
129	3503535	BRAKE PARKING LEVER WO/CLAMP	2	PCS	5707292413536
130	2983021	BRAKE BACKING PLATE W/QR, S. A	1	PCS	5707292145130
131	3503536	CLAMP W/SCREWS	2	PCS	5707292427762
132	0371853	STRAINED WIRES 1,5MM 19T.	2	PCS	5707292135889

	XX	CHOOSE COLOUR CODE: 60: BLACK, 70: BLACK ABC
*		CHOOSE SIZE

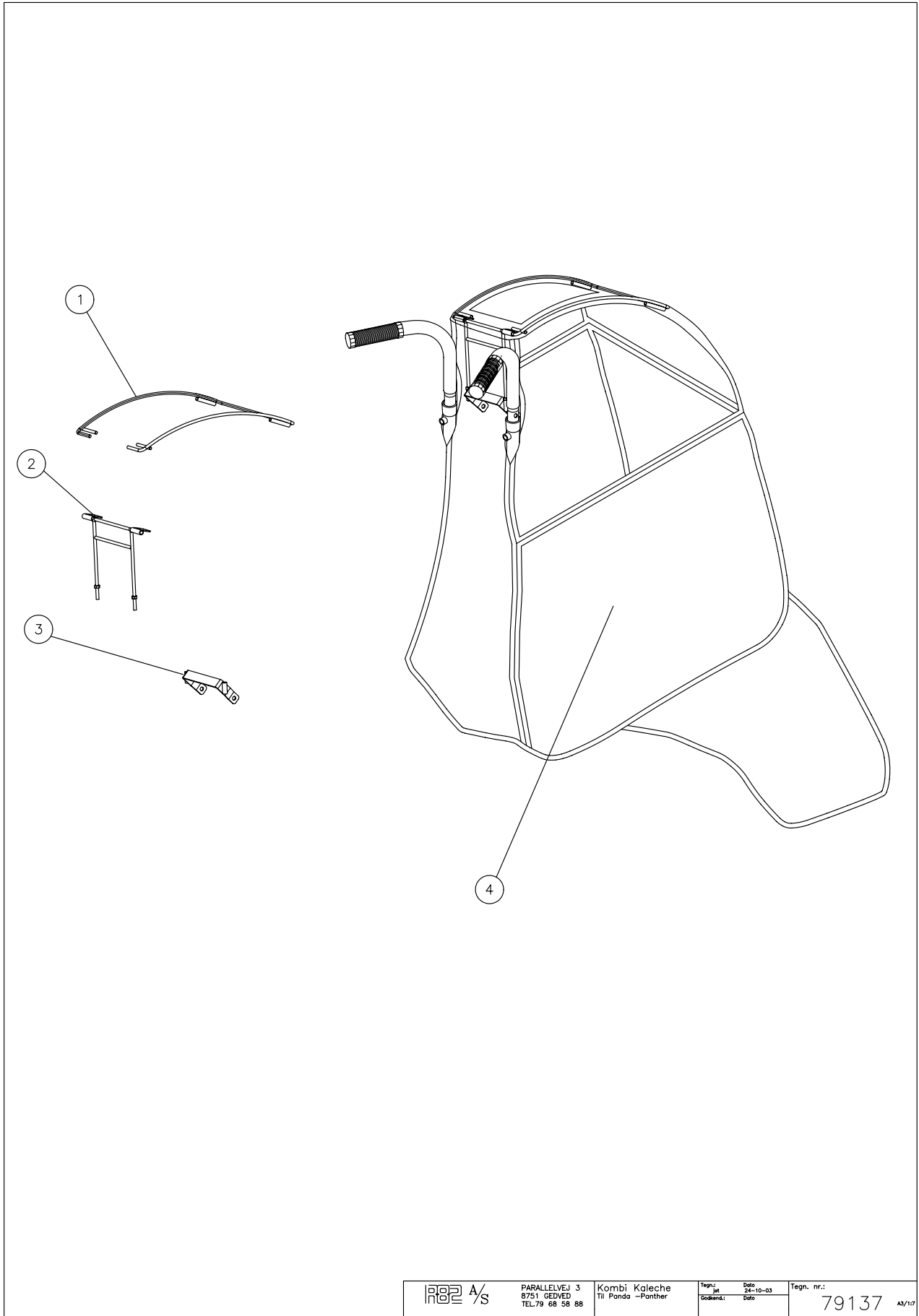


01 20.03.09 Cover f. handbrake divided in two models FN	Page: nr.: 79200-3
11 11.06.06	Document: 42/17
Form: M	
Project: M	
Product: PANTHER	
Model: Activity Center, Tray	
Part No.: PARALLELVEJ 3	
Part No.: 75 66 51 92	
Part No.: 79200-3	

Position	No.	Description	Quantity	Unit of Measure	Ean code
5	0602900	INSEX SCREW 8*16	1	PCS	5707292138200
15	81635	MOUNTING FOR SIDESUPPORT,PANDA	2	PCS	5707292117267
16	0611600	INSEX SCREW COUNTERS. 6*12	4	PCS	5707292138705
17*	6175402	SIDE CUSHION, SQUARE	2	PCS	5707292381125
	6149251	BLACK CUSHION F/SIDESUP.LEFT	1	PCS	5707292188373
	6149261	BLACK CUSHION F/SIDESUP.LEFT	1	PCS	5707292188434
18*	6149256	BLACK CUSHION F/SIDESUP.RIGHT	1	PCS	5707292188403
	6149266	BLACK CUSHION F/SIDESUP.RIGHT	1	PCS	5707292188465
19*	72273	CLOSED HAND BRACE,PANTHER SZ 1	1	PCS	5707292107237
	72274	CLOSED HAND BRACE,PANTHER SZ 2	1	PCS	5707292107244
	72275	CLOSED HAND BRACE,PANTHER SZ 3	1	PCS	5707292107251
	72276	CLOSED HAND BRACE,PANTHER SZ 4	1	PCS	5707292107268
20	2500530	TPE ø22*30*200	2	PCS	5707292381781
21	6153500	KNOB SPRING 0,5*6,5 MM.	2	PCS	5707292188571
30	70800	SEAT CONTROL TIGER 2000/SERVAL	1	PCS	5707292102782
31	82522	U-MOUNTING FOR TRAY	1	PCS	5707292362247
32	0641620	BUTTON HEAD SCREW 6*20	2	PCS	5707292139276
33*	81375	TRAY F/PANDA 1&2, WOODEN, GREY	1	PCS	5707292114792
	81377	TRAY F/PANDA 3, WOODEN, GREY	1	PCS	5707292114808
	81378	TRAY F/PANDA 4, WOODEN, GREY	1	PCS	5707292114815
	81363-K	TRAY F/PANDA 0, TRANSPARENT	1	PCS	5707292227379
	81361	TRAY F/PANDA 3, GREY PVC	1	PCS	5707292114655
	81362	TRAY F/PANDA 4, GREY PVC	1	PCS	5707292114662
	81363	TRAY F/PANDA 0, GREY PVC	1	PCS	5707292114679
	81360	TRAY F/PANDA 1&2, GREY PVC	1	PCS	5707292114648
34	81420	TRAY TIP-MOUNTING	1	PCS	5707292115232
35	1603000	STEEL NUT 6 MM	4	PCS	5707292141279
36	2502002	FERRULE D18*0,8-2,5 BLACK	2	PCS	5707292433947
37	81421	TIP-ROD FOR PANDA	1	PCS	5707292115249
38	1103000	FAZET WASHER 6MM	4	PCS	5707292140289
40	0621600	INSEX SCREW COUNTERS. 6*16	4	PCS	5707292138965
41	2502002	FERRULE D18*0,8-2,5 BLACK	4	PCS	5707292433947
42*	72411	TRAY F/PANTHER SIZE 1&2	1	PCS	5707292108241
	72412	TRAY F/PANTHER SIZE 3&4	1	PCS	5707292108258
43	72410	ROD FOR TRAY, PANTHER	2	PCS	5707292108234
44	72413	SUPPORT PLATE FOR TRAY,PANTHER	2	PCS	5707292108265
45	80578	MOUNTING FOR ROD TRAY, PANTHER	2	PCS	5707292111272
50*	5032910	UPHOLSTERED BACK EXTENSION 1	1	PCS	5707292158208
	5032920	UPHOLSTERED BACK EXTENSION 2	1	PCS	5707292158222
	5032930	UPHOLSTERED BACK EXTENSION 3	1	PCS	5707292158246
	5032940	UPHOLSTERED BACK EXTENSION 4	1	PCS	5707292158260
51	81154	MOUNTING FOR BACKEXTENSION	1	PCS	5707292112774
52	81155	ROD FOR BACKEXTENSION	1	PCS	5707292112781
53	0602900	INSEX SCREW 8*16	1	PCS	5707292138200
54	0602900	INSEX SCREW 8*16	1	PCS	5707292138200
55	2504000	FERRULE E15*1,0-2,0 INT.BLACK	1	PCS	5707292144102
110	72261	HOLDER FOR POMMEL, PANTHER	1	PCS	5707292107114
111	0641200	BUTTON HEAD SCREW 6*12	2	PCS	5707292139252
112	1103000	FAZET WASHER 6MM	2	PCS	5707292140289

114*	6175111	POMMEL SIZE 1, BLACK PUR	1	PCS	5707292189103
	6175112	POMMEL SIZE 2, BLACK PUR	1	PCS	5707292189110
	6175113	POMMEL SZ. 3, BLACK PUR	1	PCS	5707292189127
	6175114	POMMEL SIZE 4, BLACK PUR	1	PCS	5707292189134
115	1811275	CUTTING SCREW 4*30MM	2	PCS	5707292141743
116*	72218	POMMEL BRACE, PANTHER SZ. 1	1	PCS	5707292106698
	72219	POMMEL BRACE, PANTHER SZ. 2-4	1	PCS	5707292106704
117	3470600	STAR GRAP Ø32*M6*35MM,BLACK	1	PCS	5707292146694
202	0602900	INSEX SCREW 8*16	1	PCS	5707292138200
203	3470350	KNOB HANDLE, M6X10 BUSH. BLACK	2	PCS	5707292146656
204	1100200	EXTERNAL SNAP RING	2	PCS	5707292140128
205	6108224	SRINGHOUSE SHOULDER SUPPORT	2	PCS	5707292185754
206	0310145	PRESSURE SPRING 0,9*8,6MM*15,5	2	PCS	5707292135612
207	6118800	PIN F/SPRINGHOUSE IMPALA+PANDA	2	PCS	5707292186683
208	6109020	HOLDER F.SHOULDER SUPPORT	2	PCS	5707292185938
209	0808008	STAINLESS STOP SCREW 8*8	2	PCS	5707292140036
210*	5700145	UPHOLST. SHOULDERSUPP. XL +10	2	PCS	5707292179883
	5700108	GLUEING SHOULDER SUPPORT-PANDA	2	PCS	5707292179517
211*	82361	MOUNTING FOR SHOULDER SUPPORT	1	PCS	5707292123657
	82362	MOUNTING FOR SHOULDER SUPPORT	1	PCS	5707292123664

*		CHOOSE SIZE			
---	--	-------------	--	--	--



R82 A/S	PARALLELVEJ 3 8751 GEDVED TEL.79 68 58 88	Kombi Kaleche Tri Panda -Panther	Tegn.:	Dato:	Tegn. nr.:	
			Titel:	Dato:		
					79137	A3/17

Position	No.	Description	Quantity	Unit of Measure	Ean code
1	72425	BRACE FOR FOLDING TOP	1	PCS	5707292354273
2	72447	RAIN COVER FOR PANTHER	1	PCS	5707292376268
3	72431	BRACE FOR RAIN COVER	1	PCS	5707292354259
4	94443-120	COMBI FOLDING TOP - COVER,BLUE	1	PCS	5707292358820