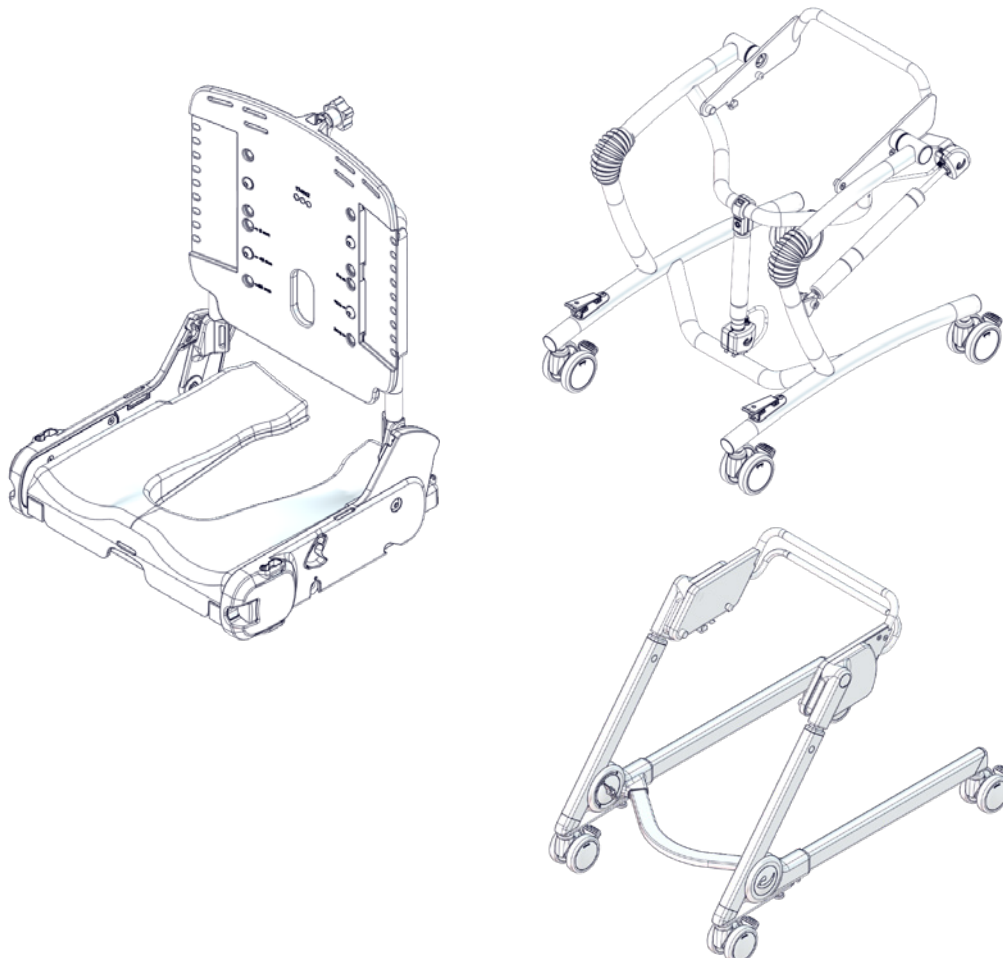


# Flamingo Cuero

## Exploded views / Part lists

Rev. date (2026.05)

On the following pages you will find the parts used to assemble this product. Please note that some spare parts cannot be purchased individually but are part of a complete kit. Please also note that for some spare parts extra delivery time may occur.



## Contents

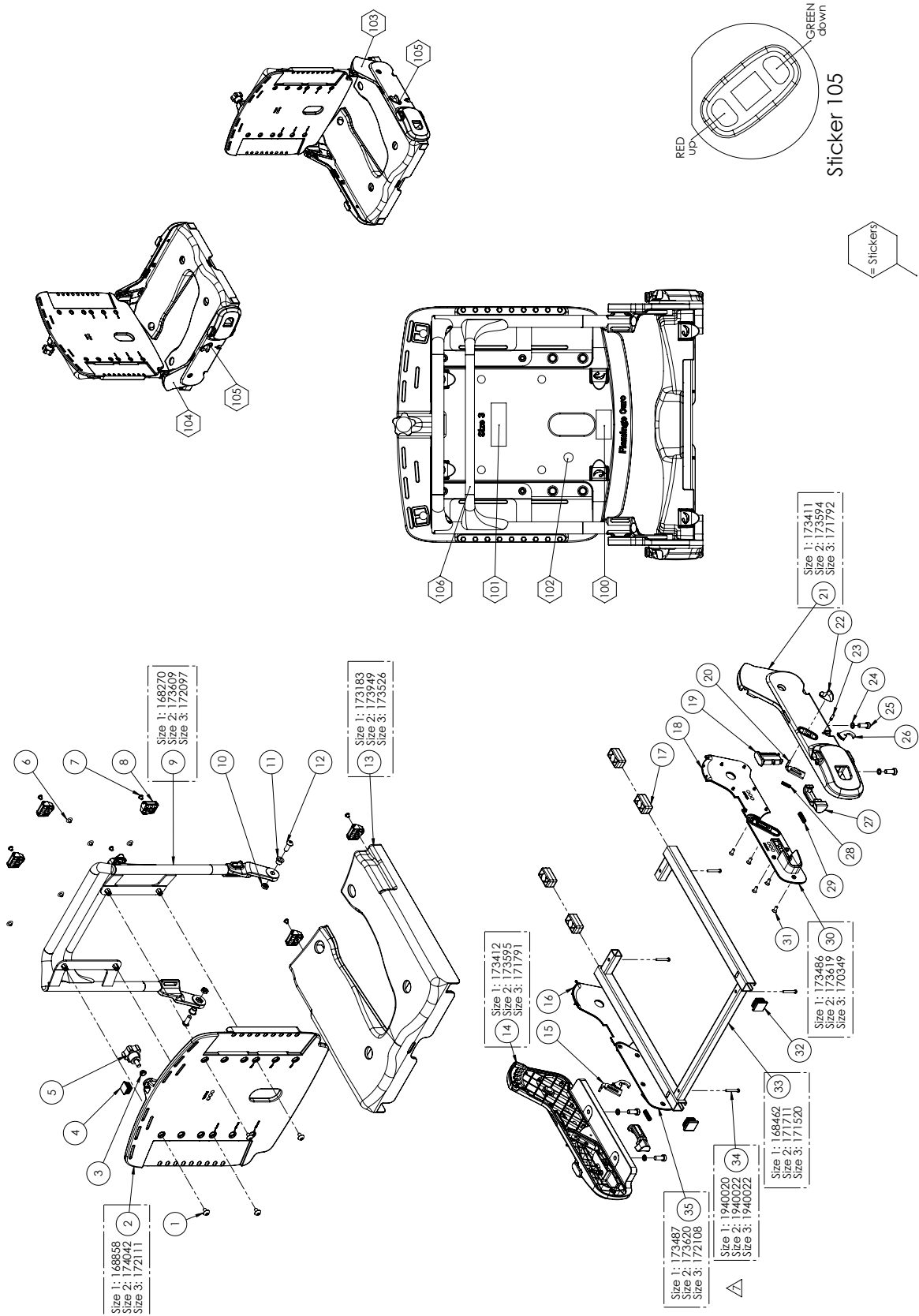
Flamingo Curo size 1, 2 & 3 .....	5
Item numbers for Flamingo Curo .....	6
Flamingo Curo accessories .....	8
Item numbers for Flamingo Curo accessories.....	9
Flamingo High-low frame (882031, 882032, 882033, 882041, 882042 & 882043) accessories/spare parts.....	11
Item numbers for Flamingo High-low frame (882031, 882032, 882033, 882041, 882042 & 882043) accessories/spare parts.....	11
Flamingo Compact frame accessories/spareparts (882011, 882012, 882013, 882021, 882022, 882023) .....	12
Item numbers for Flamingo Compact frame (882011, 882012, 882013, 882021, 882022, 882023) accessories/spareparts.....	12
Head support assembly .....	13
Item numbers for Head support assembly .....	14
Spare parts for Arm support pad size S (882113-PU) .....	15
Item numbers for Arm support pad size S (882113-PU).....	15
Spare parts for Arm support pad size L (882114-PU).....	15
Item numbers for Arm support pad size L (882114-PU) .....	15
Spare parts for Arm sup. holder Left size S (882113-SL).....	16
Item numbers for Arm sup. holder Left size S (882113-SL) .....	17
Spare parts for Arm sup. holder Right size S (882113-SR) .....	18
Item numbers for Arm sup. holder Right size S (882113-SR).....	19
Spare parts for Arm sup. holder Left size L (882114-LL).....	20
Item numbers for Arm sup. holder Left size L (882114-LL) .....	21
Spare parts for Arm sup. holder Right size L (882114-LR).....	22
Item numbers for Arm sup. holder Right size L (882114-LR) .....	23
Spare parts for Upper leg sup. Left size S (882111-L).....	24
Item numbers for Upper leg sup. Left size S (882111-L).....	24
Spare parts for Upper leg sup. Right size S (882111-R).....	24
Item numbers for Upper leg sup. Right size S (882111-R) .....	24
Spare parts for Upper leg sup. Left size L (882112-L).....	24
Item numbers for Upper leg sup. Left size L (882112-L) .....	24
Spare parts for Upper leg sup. Right size L (882112-R) .....	24
Item numbers for Upper leg sup. Right size L (882112-R).....	24
Spare parts for Upper leg sup. holder, Left(882117-L).....	25
Item numbers for Upper leg sup. holder, Left(882117-L).....	25
Spare parts for Upper leg sup. holder, Right (882117-R).....	25
Item numbers for Upper leg sup. holder, Right (882117-R).....	25

Spare parts for Side support cushion size S (882089-S) .....	26
Item numbers for Side support cushion size S (882089-S).....	26
Spare parts for Side support cushion size M (882089-M) .....	26
Item numbers for Side support cushion size M (882089-M).....	26
Spare parts for Side support cushion size L (882089-L).....	26
Item numbers for Side support cushion size L (882089-L).....	26
Spare parts for Fitting fixed side sup. (882088) .....	27
Item numbers for Fitting fixed side sup. (882088).....	27
Spare parts for Fitting sw-aw side sup. Left (882087-L).....	28
Item numbers for Fitting sw-aw side sup. Left (882087-L).....	28
Spare parts for Fitting sw-aw side sup. Right (882087-R).....	28
Item numbers for Fitting sw-aw side sup. Right (882087-R).....	28
Spare parts for Bag of fix locks (882154).....	29
Item numbers for Bag of fix locks (882154) .....	29
Spare parts for 75 mm castors (882155).....	29
Item numbers for 75 mm castors (882155).....	29
Spare parts for Daily adjustment kit, head sup (882156).....	29
Item numbers for Daily adjustment kit, head sup (882156) .....	29
Spare parts for Blind plug, arm/upper leg sup. (882157) .....	29
Item numbers for Blind plug, arm/upper leg sup. (882157) .....	29
Spare parts for Curved head support: small (9931000-61).....	30
Item numbers for Curved head support, small (9931000-61).....	30
Spare parts for Curved head support: medium (9932000-61).....	30
Item numbers for Curved head support, medium (9932000-61).....	30
Spare parts for Standard turtle neck (9900050-00) .....	31
Item numbers for Standard turtle neck (9900050-00).....	31
Spare parts for Extended turtle neck (9900060-00).....	31
Item numbers for Extended turtle neck (9900060-00) .....	31
Spare parts for Short rod 80 mm - For head support, stainless (9900005-00) .....	32
Item numbers for Short rod 80 mm - For head support, stainless (9900005-00) .....	32
Spare parts for Medium rod 120 mm - For head support, stainless (9900006-00) .....	32
Item numbers for Medium rod 120 mm - For head support, stainless (9900006-00).....	32
Spare parts for Long rod 210 mm - For head support, stainless (9900007-00) .....	32
Item numbers for Long rod 210 mm - For head support, stainless (9900007-00).....	32
Spare parts for Seat plate and PU size 1 (882071-KIT), Seat plate and PU size 2 (882072-KIT) & Seat plate and PU size 3 (882073-KIT) .....	33
Item numbers for Spare parts for Seat plate and PU size 1 (882071-KIT) .....	34
Item numbers for Spare parts for Seat plate and PU size 2 (882072-KIT) .....	34
Item numbers for Spare parts for Seat plate and PU size 3 (882073-KIT).....	34

---

Spare parts for Padding for foot support size 1 (882151-PADS).....	35
Item numbers for Padding for foot support size 1 (882151-PADS).....	35
Spare parts for Padding for foot support size 2 (882152-PADS) .....	35
Item numbers for Padding for foot support size 2 (882152-PADS).....	35
Spare parts for Padding for foot support size 3 (882153-PADS) .....	36
Item numbers for Padding for foot support size 3 (882153-PADS).....	36
Spare parts for Seat depth reduction kit (882080) .....	36
Item numbers for Seat depth reduction kit (882080) .....	36

# Flamingo Curo size 1, 2 & 3



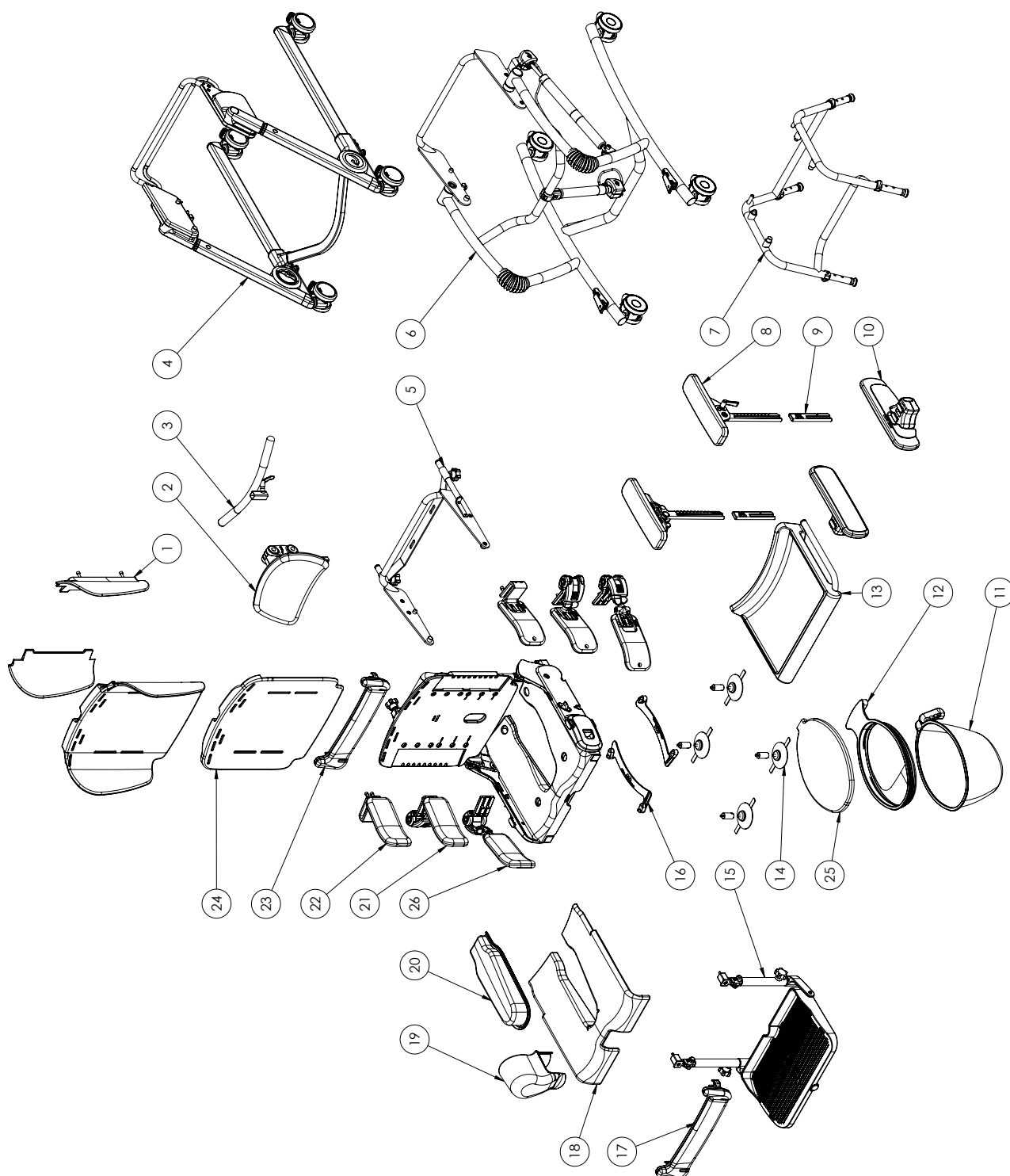
## Item numbers for Flamingo Curo

Position	No.	Description	Quantity	Unit of Measure	Ean code
1	174610	Fastning element M6x10 SS	4	PCS	5715393012145
2*	168858	Back size 1	1	PCS	5715393010073
	174042	Back size 2	1	PCS	5715393010080
	172111	Back size 3	1	PCS	5715393010097
3	1600800	8mm rosan pressure nut	1	PCS	5707292141187
4	2500900	Tube legs white 20x20mm. Inter	1	PCS	5707292143877
5	3719985	Handle M8x16, white	1	PCS	5715393015481
6	1310536	Covering button,white 13x5,0mm	6	PCS	5707292397911
7	0631952	Button head M5x6, rf tufflok	6	PCS	5707292503725
8	110202	Snap Lock R82-25 With ø6	6	PCS	5707292575913
9*	168270	Back Frame Size 1	1	PCS	5715393009985
	173609	Back Frame Size 2	1	PCS	5715393009992
	172097	Back Frame Size 3	1	PCS	5715393010004
10	1750800	Lock nut, stainless M8	2	PCS	5707292141484
11	174091	Bush	2	PCS	5715393009589
12	0662002	Button head M8x20, A2 w/glue	2	PCS	5707292600554
13*	173183-1	Seat base size 1	1	PCS	5715393067015
	173949-1	Seat base size 2	1	PCS	5715393067022
	173526-1	Seat base size 3	1	PCS	5715393067039
14*	173412	Seat side size 1, right	1	PCS	5715393009756
	173595	Seat side size 2, right	1	PCS	5715393009763
	171791	Seat side size 3, right	1	PCS	5715393009770
15	170631	Tooth lever, right side	1	PCS	5715393009961
16	175425	Rear side cover, right	1	PCS	5715393009930
17	168473	Lock nut	4	PCS	5715393009718
18	175424	Rear side cover, left	1	PCS	5715393009923
19	174627	Arm/thigh support plug	2	PCS	5715393009978
20	169084	Tooth lever, left side	1	PCS	5715393009954
21*	173411	Seat side size 1, left	1	PCS	5715393009725
	173594	Seat side size 2, left	1	PCS	5715393009732
	171792	Seat side size 3, left	1	PCS	5715393009749
22	171764	Seat release knob	2	PCS	5715393009848
23	173656	Ø4 pin	2	PCS	5715393016235
24	1100495	Spring washer M8	4	PCS	5707292458674
25	0602483	Insex low head M8x20 stainless	4	PCS	5707292442437
26	169083	Gear hook	2	PCS	5715393009947
27	171836	Armrest release knob	2	PCS	5715393009855
28	176805	Spring, stainless	2	PCS	5715393017614
29	0310100	Pressure spring 0,9x8x23x10,5v	2	PCS	5707292135513
30*	173486	Cover for seat side size 1, L	1	PCS	5715393009879
	173619	Cover for seat side size 2, L	1	PCS	5715393009893
	170349	Cover for seat side size 3, L	1	PCS	5715393009916
31	1940031	Eco syn 5x12, countersunk head	10	PCS	5707292981288
32	2510200	End cap square 25 mm, white	2	PCS	5715393017560
33*	168462	Baseframe for seat size 1	1	PCS	5715393009596
	171711	Baseframe for seat size 2	1	PCS	5715393009602
	171520	Baseframe for seat size 3	1	PCS	5715393009619

\* Choose size / color

Position	No.	Description	Quantity	Unit of Measure	Ean code
34*	1940020	Seat size 1: PT screw K40x35	4	PCS	5715393055982
	1940022	Seat size 2: PT screw K40x30	4	PCS	5707292997432
	1940022	Seat size 3: PT screw K40x30	4	PCS	5707292997432
35*	173487	Cover for seat side size 1, R	1	PCS	5715393009862
	173620	Cover for seat side size 2, R	1	PCS	5715393009886
	172108	Cover for seat side size 3, R	1	PCS	5715393009909
100	0493400	Label termo,3M 7872,50x24	1	PCS	5707292136855
101	0493401	Label 70 x 25mm	1	PCS	5707292993069
102	0494661	Label	1	PCS	5707292989321
103	0494614	R82 by Etac logo - Silver	1	PCS	5707292921611
104	0494668	QR code Flamingo Curo	1	PCS	5707292989390
105	177038	Seat lock / unlock - sticker	2	PCS	5715393020157
106	0494077	Angling tilt back recline gray	1	PCS	5707292599377
* Choose size / color					

# Flamingo Cuero accessories



## Item numbers for Flamingo Curo accessories

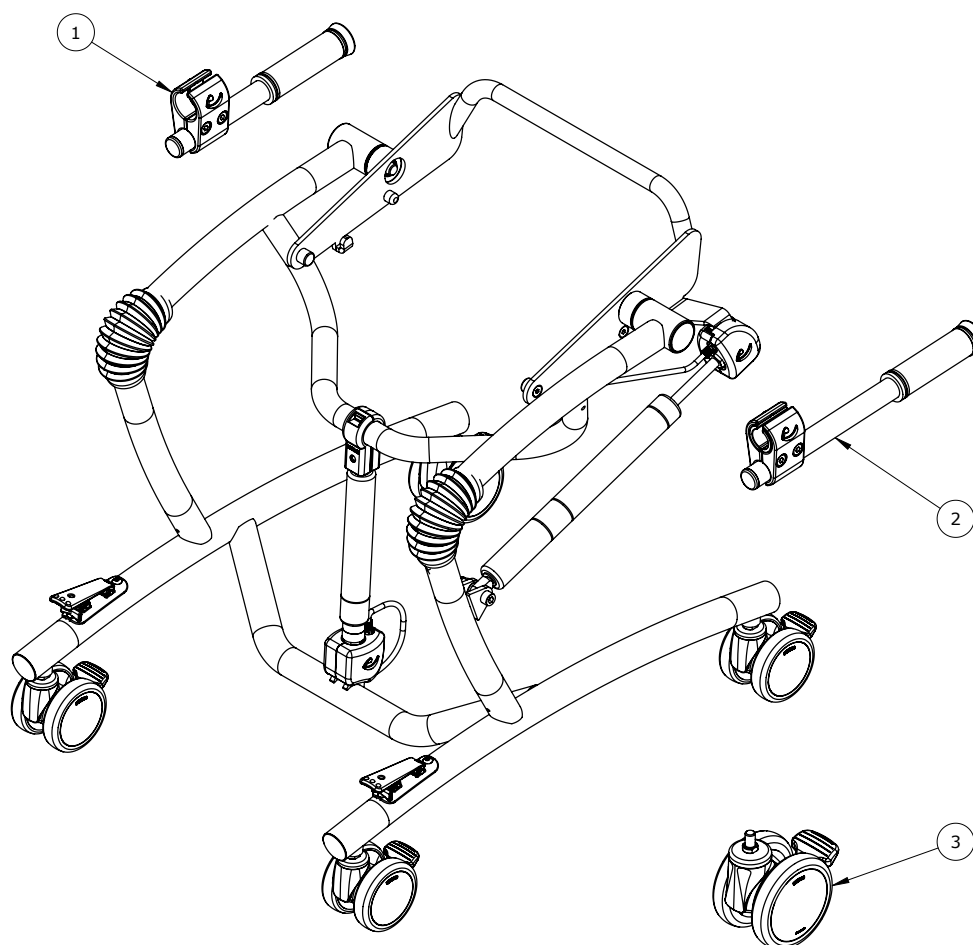
Position	No.	Description	Quantity	Unit of Measure	Ean code	
1*	882081	Shoulder support w PU, size 1	1	SET	5715393015009	
	882082	Shoulder support w PU, size 2	1	SET	5715393015016	
	882083	Shoulder support w PU, size 3	1	SET	5715393015023	
2*	9931055-61	Curved head sup. S std 80	Head Support Assembly	1	PCS	5715393015238
	9931056-61	Curved head sup. S std 120		1	PCS	5715393015245
	9931057-61	Curved head sup. S std 210		1	PCS	5715393015252
	9931065-61	Curved head sup. S ext 80		1	PCS	5715393015269
	9931066-61	Curved head sup. S ext 120		1	PCS	5715393015276
	9931067-61	Curved head sup. S ext 210		1	PCS	5715393015283
	9932055-61	Curved head sup. M std 80		1	PCS	5715393015290
	9932056-61	Curved head sup. M std 120		1	PCS	5715393015306
	9932057-61	Curved head sup. M std 210		1	PCS	5715393015313
	9932065-61	Curved head sup. M ext 80		1	PCS	5715393015320
	9932066-61	Curved head sup. M ext 120		1	PCS	5715393015337
	9932067-61	Curved head sup. M ext 210		1	PCS	5715393015344
3	880110	Push brace	1	PCS	5707292134219	
4*	882011	Flamingo Compact frame size 1, w. 75 mm castors	1	PCS	5715393003716	
	882021	Flamingo Compact frame size 1, w. 100 mm castors	1	PCS	5715393003747	
	882012	Flamingo Compact frame size 2, w. 75 mm castors	1	PCS	5715393003723	
	882022	Flamingo Compact frame size 2, w. 100 mm castors	1	PCS	5715393003754	
	882013	Flamingo Compact frame size 3, w. 75 mm castors	1	PCS	5715393003730	
	882023	Flamingo Compact frame size 3, w. 100 mm castors	1	PCS	5715393003761	
5*	882061	Toilet Mount, size 1	1	PCS	5715393004492	
	882062	Toilet Mount, size 2	1	PCS	5715393004508	
	882063	Toilet Mount, size 3	1	PCS	5715393004515	
6*	882031	Flamingo High-low size 1, w. 75 mm castors	1	PCS	5715393003778	
	882041	Flamingo High-low size 1, w. 100 mm castors	1	PCS	5715393003808	
	882032	Flamingo High-low size 2, w. 75 mm castors	1	PCS	5715393003785	
	882042	Flamingo High-low size 2, w. 100 mm castors	1	PCS	5715393003815	
	882033	Flamingo High-low size 3, w. 75 mm castors	1	PCS	5715393003792	
	882043	Flamingo High-low size 3, w. 100 mm castors	1	PCS	5715393003822	
7	882050	Pottyframe	1	PCS	5715393004454	
8*	882113	Arm supports, size small	1	SET	5715393003570	
	882114	Arm supports, size large	1	SET	5715393003587	
9	882116	Upper leg supp. att.	1	SET	5715393015146	
10*	882111	Upper leg support, size small	1	SET	5715393003556	
	882112	Upper leg support, size large	1	SET	5715393003563	
11*	870800	Commode pan size 1 (For size 1)	1	PCS	5707292937209	
	870802	Commode pan size 3 (for size 2+3)	1	PCS	5707292937230	
12	870807-E	Potty ring extended (For size 2 and 3)	1	PCS	5715393020942	
13*	882141	Tray blue PU size 1	1	PCS	5715393015092	
	882142	Tray blue PU size 2	1	PCS	5715393015108	
	882143	Tray blue PU size 3	1	PCS	5715393015115	
14	880150	Suction cups	1	SET	5707292134400	

\* Choose size / color

Position	No.	Description	Quantity	Unit of Measure	Ean code
15*	882151	Foot support, size 1	1	PCS	5715393015153
	882152	Foot support, size 2	1	PCS	5715393015160
	882153	Foot support, size 3	1	PCS	5715393015177
16*	880125-1	Com. pan/potty ring holders, size 1	1	SET	5707292907073
	880125-20	Com. pan/potty ring holders, size 2	1	SET	5715393020959
	880125-3	Com. pan/potty ring holders, size 3	1	SET	5707292907097
17*	882111	Upper leg support size small	1	PCS	5715393003556
	882112	Upper leg support size large	1	PCS	5715393003563
18*	882071-1	Inlay seat base size s1	1	PCS	5715393070213
	882072-1	Inlay seat base size s2	1	PCS	5715393070220
	882073-1	Inlay seat base size s3	1	PCS	5715393070237
19*	882145	Spashguard / Pommel small	1	PCS	5715393015122
	882147	Spashguard / Pommel large	1	PCS	5715393015139
20*	882121	Seat infill size 1	1	PCS	5715393003686
	882122	Seat infill size 2	1	PCS	5715393003693
	882123	Seat infill size 3	1	PCS	5715393003709
21*	882095	Side supports swing-away sz S	1	SET	5715393004423
	882096	Side supports swing-away sz M	1	SET	5715393004430
	882097	Side supports swing-away sz L	1	SET	5715393004447
22*	882090	Side supports fixed sz S	1	SET	5715393004386
	882091	Side supports fixed sz M	1	SET	5715393004379
	882092	Side supports fixed sz L	1	SET	5715393004393
23*	882131	Lower back support, size 1	1	PCS	5715393015030
	882132	Lower back support, size 2	1	PCS	5715393015047
	882133	Lower back support, size 3	1	PCS	5715393015054
24*	882075	Inlay seat back, size 1	1	PCS	5715393014972
	882076	Inlay seat back, size 2	1	PCS	5715393014989
	882077	Inlay seat back, size 3	1	PCS	5715393014996
25*	870800-L	Commode pan lid size 1 (For size 1)	1	PCS	5707292937254
	870802-L	Commode pan lid size 3 (For size 2 and 3)	1	PCS	5707292937278
26*	882095-1	Side supports, swing, adj, S	1	SET	5715393045228
	882096-1	Side supports, swing, adj, M	1	SET	5715393045235
	882097-1	Side supports, swing, adj, L	1	SET	5715393045242

\* Choose size / color

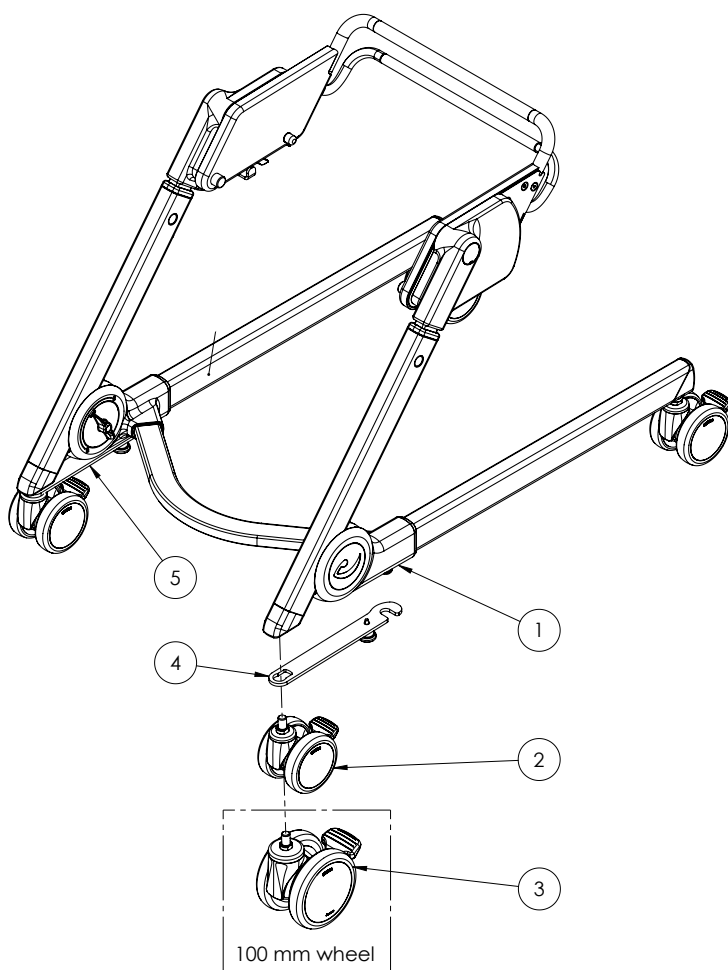
## Flamingo High-low frame (882031, 882032, 882033, 882041, 882042 & 882043) accessories/spare parts



Item numbers for Flamingo High-low frame (882031, 882032, 882033, 882041, 882042 & 882043) accessories/spare parts

Position	No.	Description	Quantity	Unit of Measure	Ean code
1	113720	Push handle, 24 cm	1	PCS	5707292606020
2	117065	Push handle, 31 cm	1	PCS	5707292610683
3	3006955	100mm double wheel, white	4	PCS	5707292601872

## Flamingo Compact frame accessories/spareparts (882011, 882012, 882013, 882021, 882022, 882023)

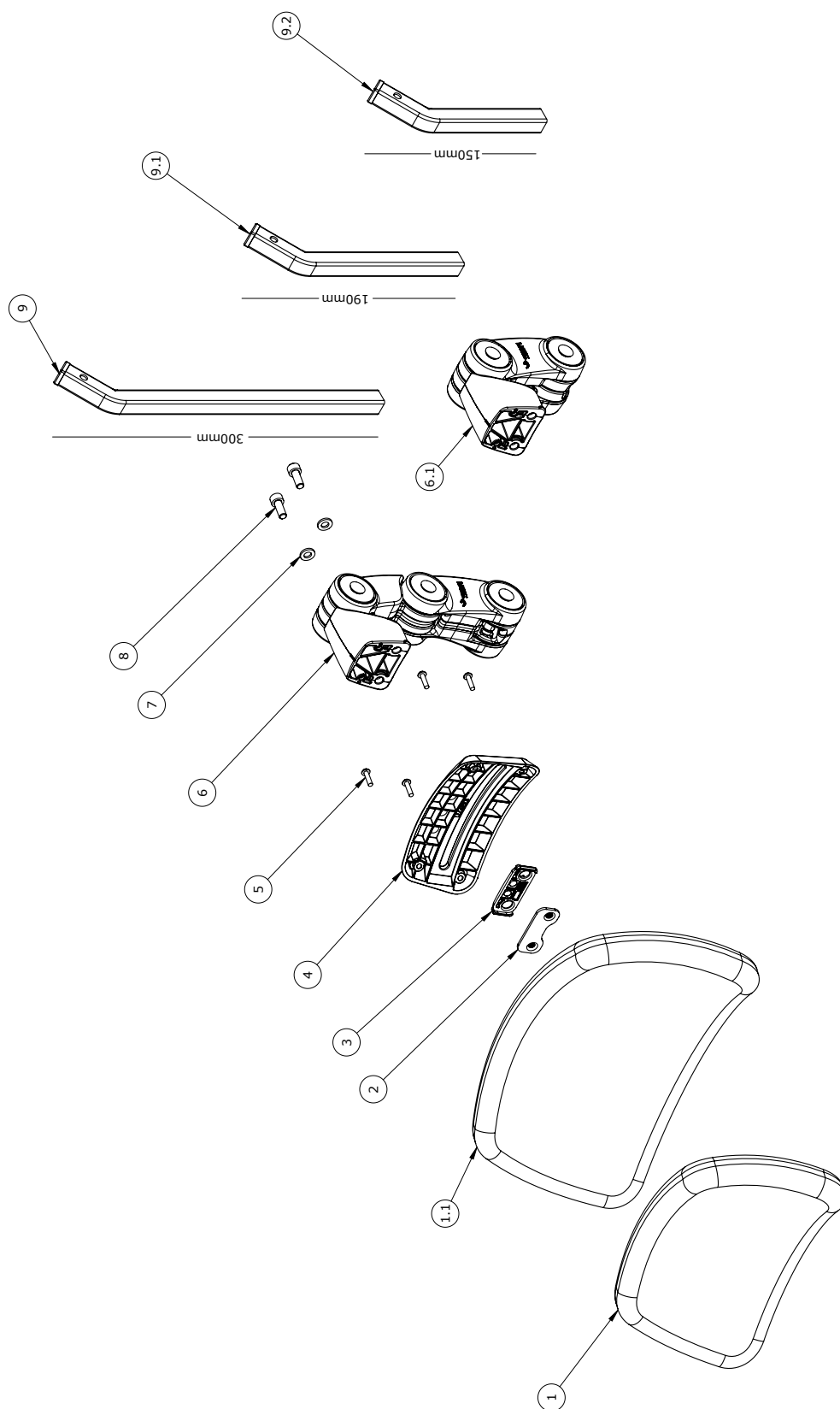


Item numbers for Flamingo Compact frame (882011, 882012, 882013, 882021, 882022, 882023) accessories/spareparts

Position	No.	Description	Quantity	Unit of Measure	Ean code
1*	169745	Compact frame lower size 1	1,00	PCS	5715393017539
	171255	Compact frame lower size 2	1,00	PCS	5715393017546
	171257	Compact frame lower size 3	1,00	PCS	5715393017553
2	3006830	75mm hvid steinco hjul m/brems	4,00	PCS	5707292368560
3	3006955	100mm dobbelthjul std.brems	4,00	PCS	5707292601872
4	179232	Safety bracket w. lock - Left	1,00	PCS	5715393044078
5	179234	Safety bracket w. lock - Right	1,00	PCS	5715393044085

\* Choose size / color

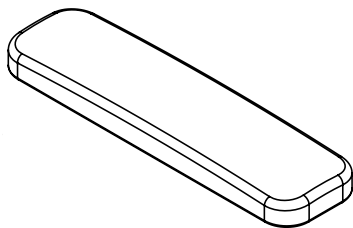
## Head support assembly



## Item numbers for Head support assembly

Position	No.	Description	Quantity	Unit of Measure	Ean code
1	172724	Head rest - size S	1	PCS	5715393010424
1.1	172726	Head rest - size M	1	PCS	5715393010431
2	175327	M6 double Nut - L34	1	PCS	5715393010479
3	149635	Base for double nut	1	PCS	5707292949431
4	172661	Headrest base	1	PCS	5715393010462
5	610619	screw ø3,5x14 DELTA PT A2	4	PCS	5715393012992
6	175331	Turtle bar system extended	1	PCS	5715393010400
6.1	175329	Turtle bar system standard	1	PCS	5715393010417
7	1105060	SS washer M6 6,4x12x1,6	2	PCS	5707292140357
8	602205	Stainless inset M6x16	2	PCS	5707292404732
9	175337	Turtle bar long	1	PCS	5715393012909
9.1	175335	Turtle bar medium	1	PCS	5715393012893
9.2	175333	Turtle bar short	1	PCS	5715393012886
* Choose size / color					

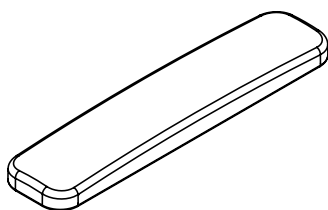
## Spare parts for Arm support pad size S (882113-PU)



Item numbers for Arm support pad size S (882113-PU)

Position	No.	Description	Quantity	Unit of Measure	Ean code
N/A	173516	Arm rest size S	1	PCS	5715393010899

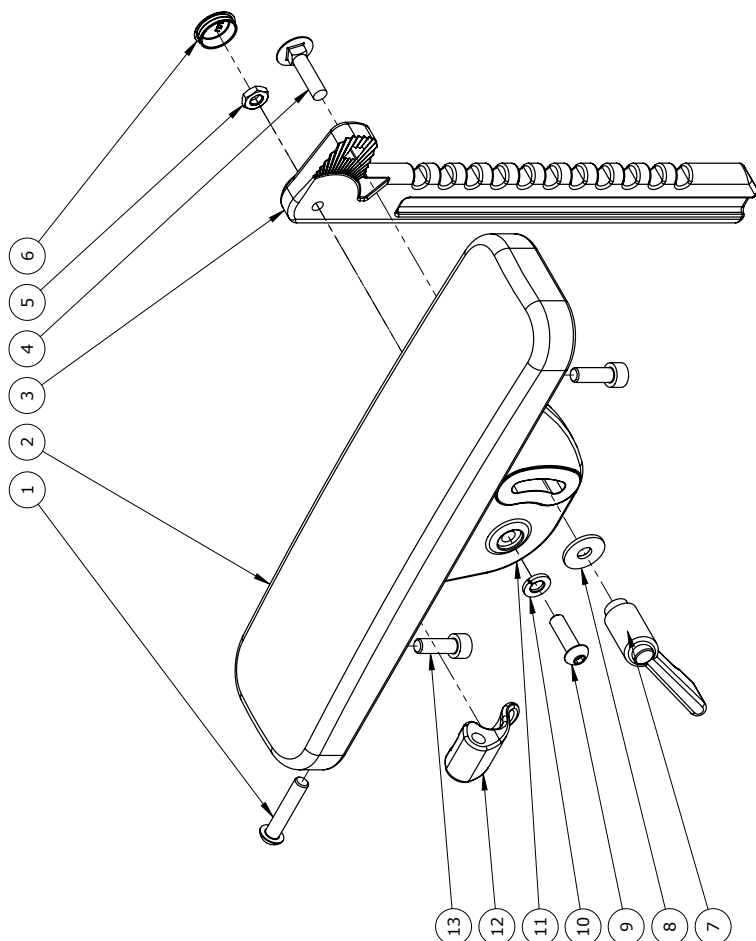
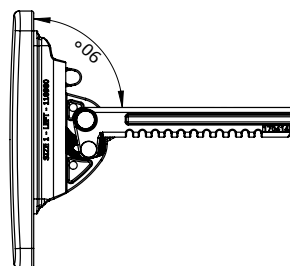
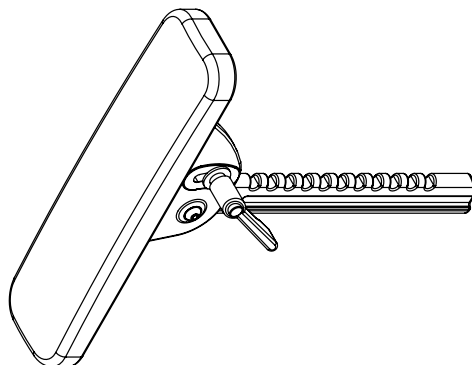
## Spare parts for Arm support pad size L (882114-PU)



Item numbers for Arm support pad size L (882114-PU)

Position	No.	Description	Quantity	Unit of Measure	Ean code
N/A	172428	Arm rest size L	1	PCS	5715393010905

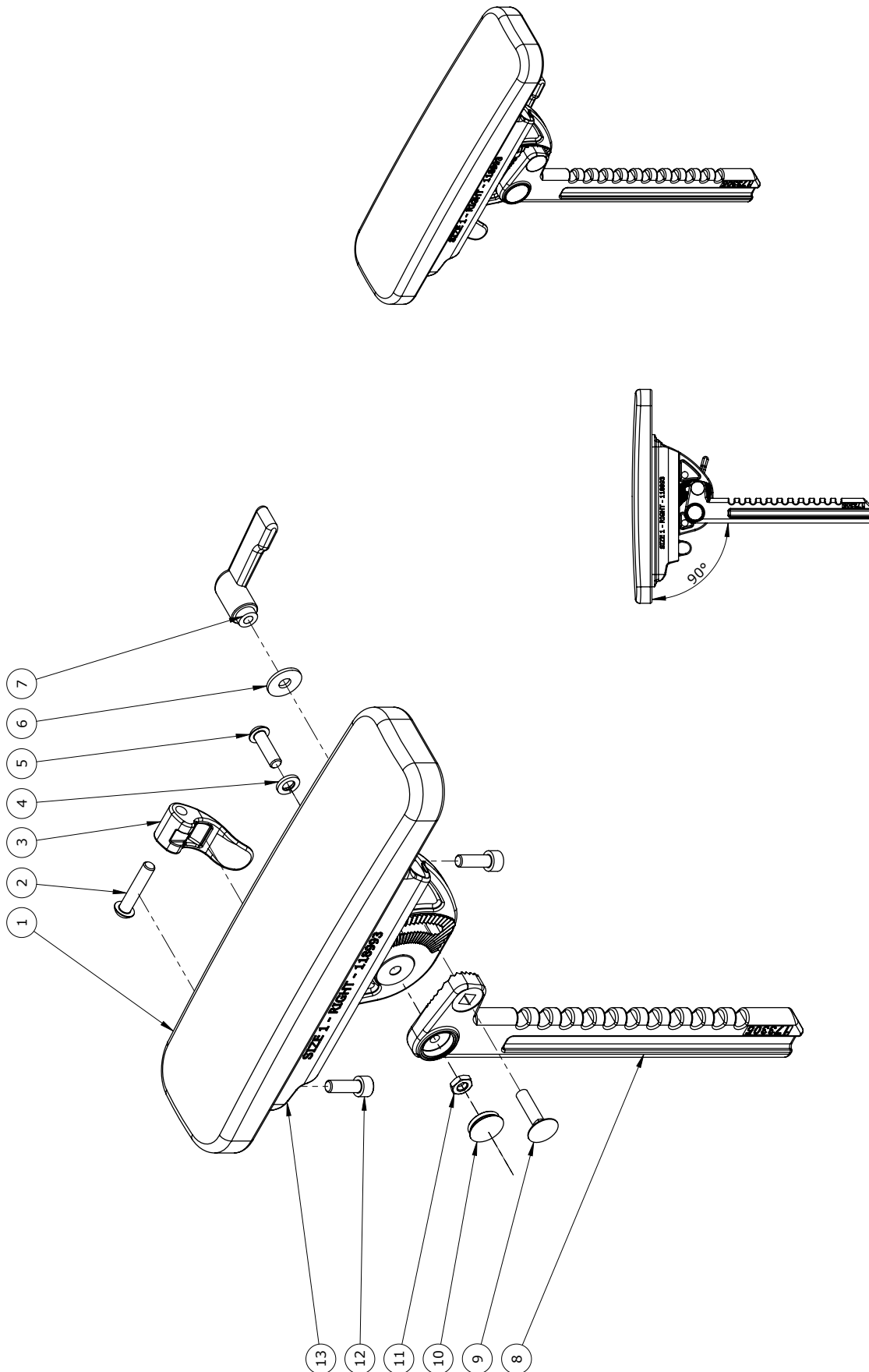
### Spare parts for Arm sup. holder Left size S (882113-SL)



## Item numbers for Arm sup. holder Left size S (882113-SL)

Position	No.	Description	Quantity	Unit of Measure	Ean code
1	0659580	Button head screw 6x30 mm	1	PCS	5707292139481
2	173516	Armrest size S	1	PCS	5715393010899
3	170414	Tooth bar arm support sz S, L	1	PCS	5715393010950
4	1905025	Board bolt 6x25 mm, stainless	1	PCS	5715393014163
5	1750600	Lock nut, stainless M6	1	PCS	5707292141477
6	117130-1	Seal cap ø16	1	PCS	5715393012640
7	3502400	Tightening handle 42mm M6 bush	1	PCS	5707292146892
8	1130600	Stainless washer M6 din9021	1	PCS	5707292140517
9	0659550	Button head M6x20, stainless	1	PCS	5707292139467
10	1100490	Spring washer M6 stainless	1	PCS	5707292411297
11	118980-1	Armrest base size 1, left	1	PCS	5715393012671
12	121553	Lock in POM	1	PCS	5707292785909
13	0602205	Stainless inset M6x16	2	PCS	5707292404732
* Choose size / color					

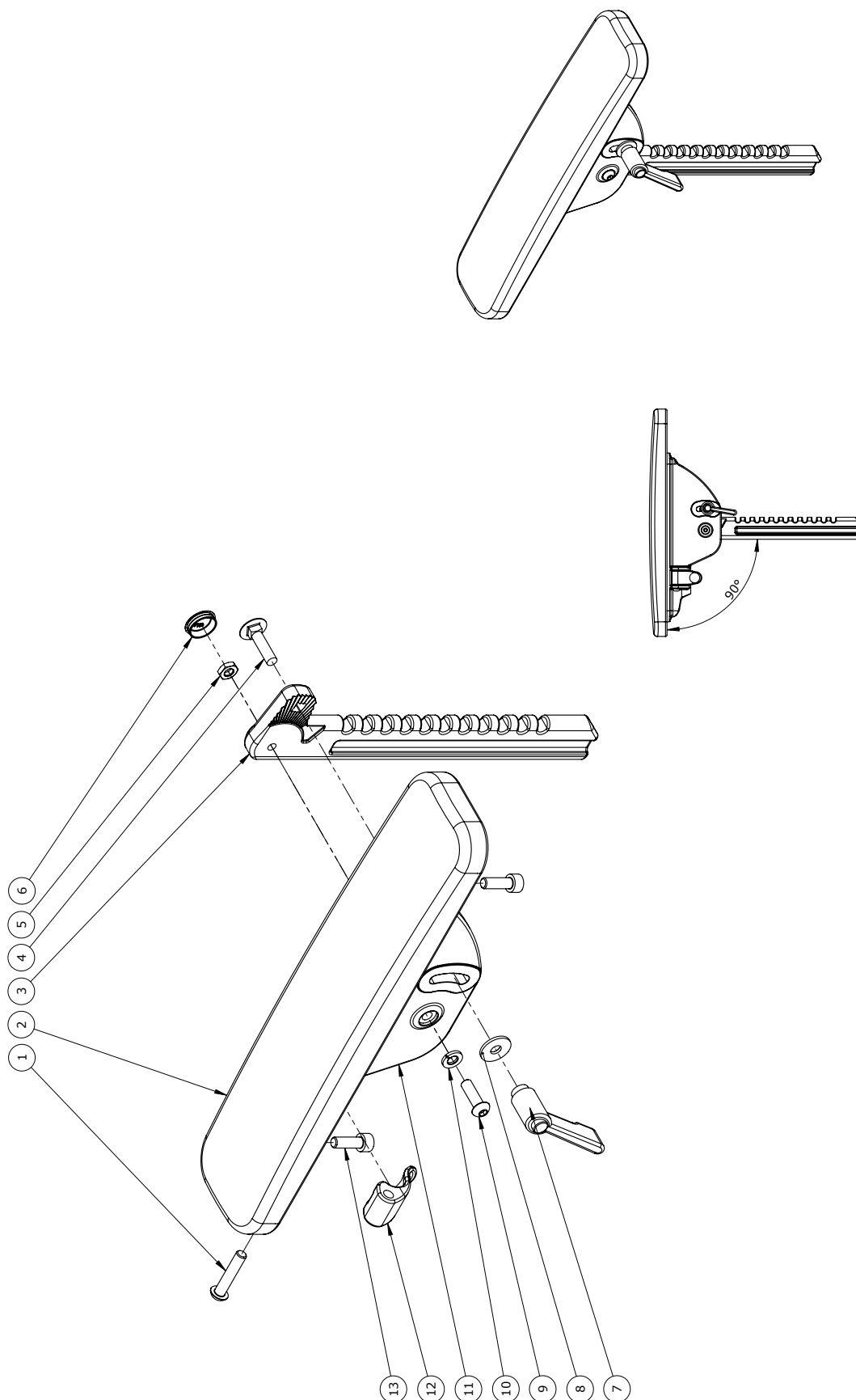
Spare parts for Arm sup. holder Right size S (882113-SR)



## Item numbers for Arm sup. holder Right size S (882113-SR)

Position	No.	Description	Quantity	Unit of Measure	Ean code
1	173516	Armrest size S	1	PCS	5715393010899
2	0659580	Button head screw 6x30 mm	1	PCS	5707292139481
3	121553	Lock in POM	1	PCS	5707292785909
4	1100490	Spring washer M6 stainless	1	PCS	5707292411297
5	0659550	Button head M6x20, stainless	1	PCS	5707292139467
6	1130600	Stainless washer M6 din9021	1	PCS	5707292140517
7	3502400	Tightening handle 42mm M6 bush	1	PCS	5707292146892
8	173305	Tooth bar arm support sz S, R	1	PCS	5715393010974
9	1905025	Board bolt 6x25 mm, stainless	1	PCS	5715393014163
10	117130-1	Seal cap ø16	1	PCS	5715393012640
11	1750600	Lock nut, stainless M6	1	PCS	5707292141477
12	0602205	Stainless inset M6x16	2	PCS	5707292404732
13	118993-1	Armrest base size 1, right	1	PCS	5715393012688
* Choose size / color					

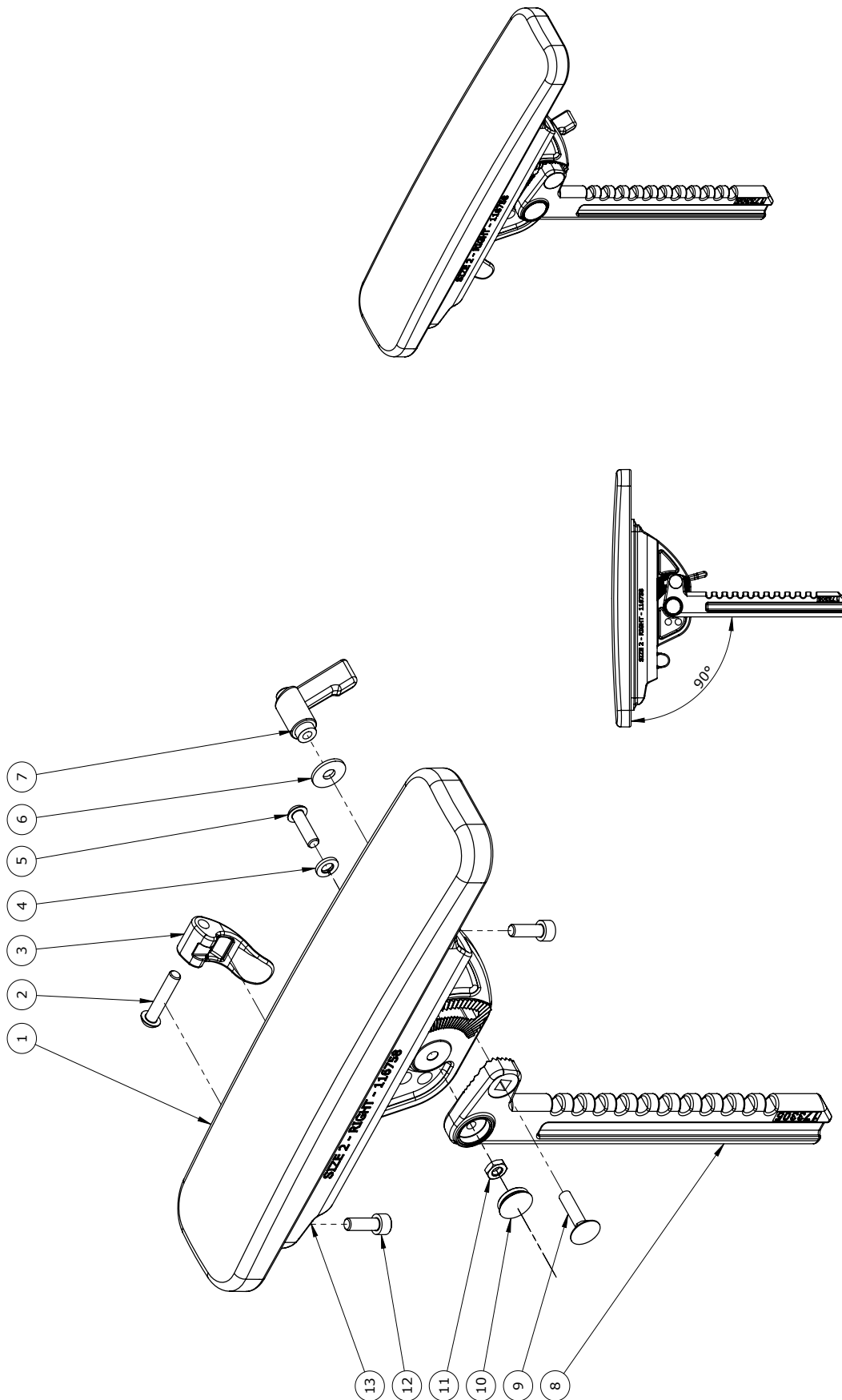
Spare parts for Arm sup. holder Left size L (882114-LL)



## Item numbers for Arm sup. holder Left size L (882114-LL)

Position	No.	Description	Quantity	Unit of Measure	Ean code
1	0659580	Button head screw 6x30 mm	1	PCS	5707292139481
2	172428	Arm rest size L	1	PCS	5715393010905
3	170414	Tooth bar arm support sz S, L	1	PCS	5715393010950
4	1905025	Board bolt 6x25 mm, stainless	1	PCS	5715393014163
5	1750600	Lock nut, stainless M6	1	PCS	5707292141477
6	117130-1	Seal cap ø16	1	PCS	5715393012640
7	3502400	Tightening handle 42mm M6 bush	1	PCS	5707292146892
8	1130600	Stainless washer M6 din9021	1	PCS	5707292140517
9	0659550	Button head M6x20, stainless	1	PCS	5707292139467
10	1100490	Spring washer M6 stainless	1	PCS	5707292411297
11	117152-1	Armrest base size 2, left	1	PCS	5715393012657
12	121553	Lock in POM	1	PCS	5707292785909
13	0602205	Stainless inset M6x16	2	PCS	5707292404732
* Choose size / color					

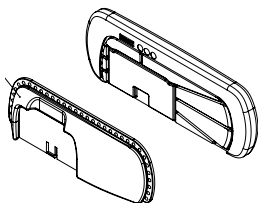
Spare parts for Arm sup. holder Right size L (882114-LR)



## Item numbers for Arm sup. holder Right size L (882114-LR)

Position	No.	Description	Quantity	Unit of Measure	Ean code
1	172428	Arm rest size L	1	PCS	5715393010905
2	0659580	Button head screw 6x30 mm	1	PCS	5707292139481
3	121553	Lock in POM	1	PCS	5707292785909
4	1100490	Spring washer M6 stainless	1	PCS	5707292411297
5	0659550	Button head M6x20, stainless	1	PCS	5707292139467
6	1130600	Stainless washer M6 din9021	1	PCS	5707292140517
7	3502400	Tightening handle 42mm M6 bush	1	PCS	5707292146892
8	173305	Tooth bar arm support sz S, R	1	PCS	5715393010974
9	1905025	Board bolt 6x25 mm, stainless	1	PCS	5715393014163
10	117130-1	Seal cap ø16	1	PCS	5715393012640
11	1750600	Lock nut, stainless M6	1	PCS	5707292141477
12	0602205	Stainless inset M6x16	1	PCS	5707292404732
13	116758-1	Armrest base size 2, right	2	PCS	5715393012633
* Choose size / color					

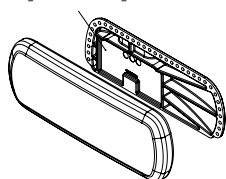
## Spare parts for Upper leg sup. Left size S (882111-L)



Item numbers for Upper leg sup. Left size S (882111-L)

Position	No.	Description	Quantity	Unit of Measure	Ean code
N/A	173997	Upper leg sup. Left size S	1	PCS	5715393010578

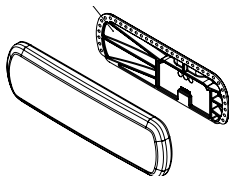
## Spare parts for Upper leg sup. Right size S (882111-R)



Item numbers for Upper leg sup. Right size S (882111-R)

Position	No.	Description	Quantity	Unit of Measure	Ean code
N/A	173998	Upper leg sup. Right size S	1	PCS	5715393037834

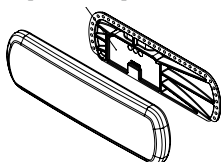
## Spare parts for Upper leg sup. Left size L (882112-L)



Item numbers for Upper leg sup. Left size L (882112-L)

Position	No.	Description	Quantity	Unit of Measure	Ean code
N/A	174186	Upper leg sup. Left size L	1	PCS	5715393010585

## Spare parts for Upper leg sup. Right size L (882112-R)



Item numbers for Upper leg sup. Right size L (882112-R)

Position	No.	Description	Quantity	Unit of Measure	Ean code
N/A	174187	Upper leg sup. Right size L	1	PCS	5715393010608

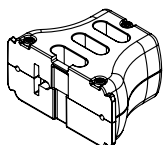
## Spare parts for Upper leg sup. holder, Left(882117-L)



### Item numbers for Upper leg sup. holder, Left(882117-L)

Position	No.	Description	Quantity	Unit of Measure	Ean code
N/A	173805	Thigh support mount, L	1	PCS	5715393012343

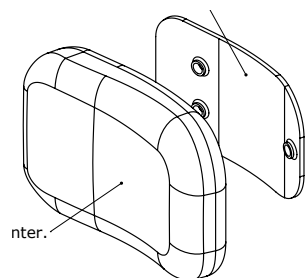
## Spare parts for Upper leg sup. holder, Right (882117-R)



### Item numbers for Upper leg sup. holder, Right (882117-R)

Position	No.	Description	Quantity	Unit of Measure	Ean code
N/A	173885	Thigh support mount, R	1	PCS	5715393012350

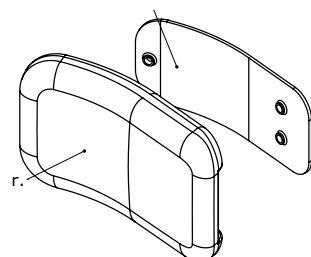
### Spare parts for Side support cushion size S (882089-S)



#### Item numbers for Side support cushion size S (882089-S)

Position	No.	Description	Quantity	Unit of Measure	Ean code
N/A	882089-S	Side support cushion size S	1	PCS	5715393037889

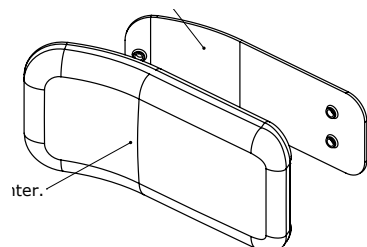
### Spare parts for Side support cushion size M (882089-M)



#### Item numbers for Side support cushion size M (882089-M)

Position	No.	Description	Quantity	Unit of Measure	Ean code
N/A	882089-M	Side support cushion size M	1	PCS	5715393037896

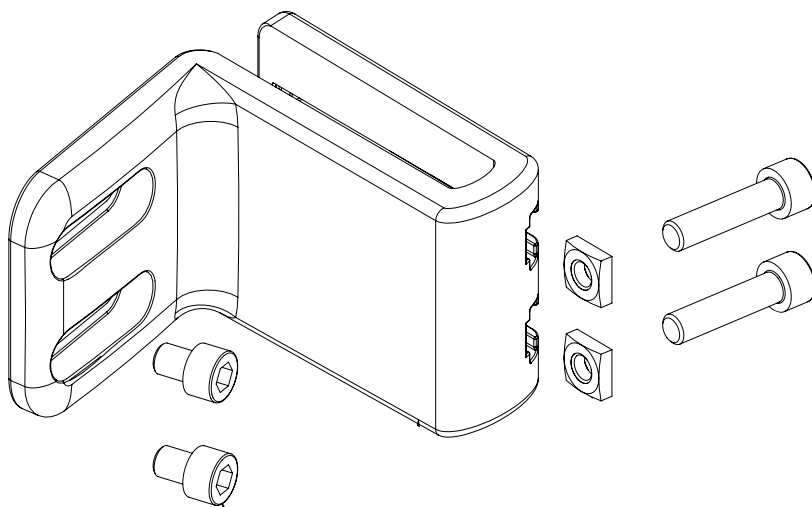
### Spare parts for Side support cushion size L (882089-L)



#### Item numbers for Side support cushion size L (882089-L)

Position	No.	Description	Quantity	Unit of Measure	Ean code
N/A	882089-L	Side support cushion size L	1	PCS	5715393037902

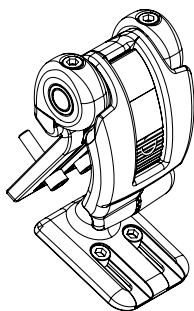
### Spare parts for Fitting fixed side sup. (882088)



#### Item numbers for Fitting fixed side sup. (882088)

Position	No.	Description	Quantity	Unit of Measure	Ean code
N/A	174421	Fixed side support	1	PCS	5715393016976

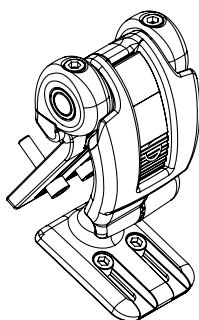
## Spare parts for Fitting sw-aw side sup. Left (882087-L)



### Item numbers for Fitting sw-aw side sup. Left (882087-L)

Position	No.	Description	Quantity	Unit of Measure	Ean code
N/A	175285	Swing-away side support Left	1	PCS	5715393016440

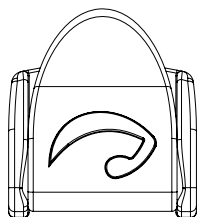
## Spare parts for Fitting sw-aw side sup. Right (882087-R)



### Item numbers for Fitting sw-aw side sup. Right (882087-R)

Position	No.	Description	Quantity	Unit of Measure	Ean code
N/A	175301	Swing-away side support Right	1	PCS	5715393016464

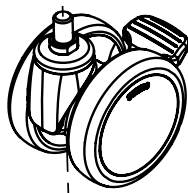
## Spare parts for Bag of fix locks (882154)



### Item numbers for Bag of fix locks (882154)

Position	No.	Description	Quantity	Unit of Measure	Ean code
N/A	110202	Bag of fix locks	6	SET	5715393037957

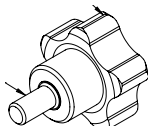
## Spare parts for 75 mm castors (882155)



### Item numbers for 75 mm castors (882155)

Position	No.	Description	Quantity	Unit of Measure	Ean code
N/A	882155	75 mm castors, 4 per set	1	SET	5715393037964

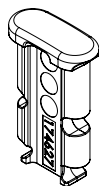
## Spare parts for Daily adjustment kit, head sup (882156)



### Item numbers for Daily adjustment kit, head sup (882156)

Position	No.	Description	Quantity	Unit of Measure	Ean code
N/A	882156	Daily adjustment kit, head sup	1	PCS	5715393038039

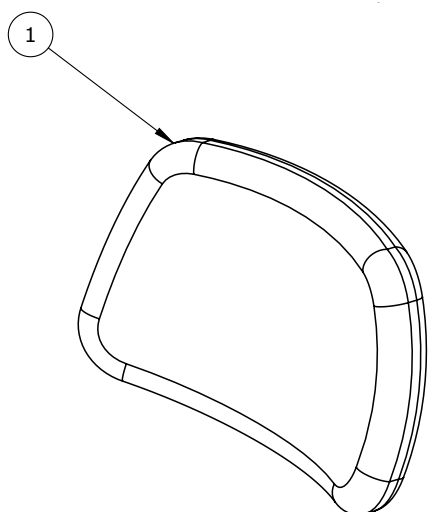
## Spare parts for Blind plug, arm/upper leg sup. (882157)



### Item numbers for Blind plug, arm/upper leg sup. (882157)

Position	No.	Description	Quantity	Unit of Measure	Ean code
N/A	882157	Blind plug, arm/upper leg sup. Set of 4 pieces	1	SET	5715393038046

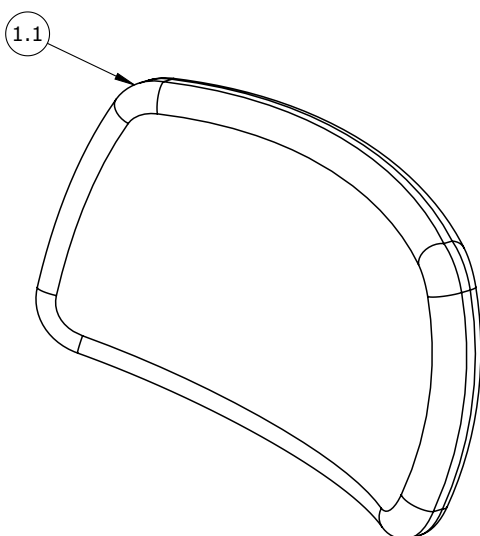
### Spare parts for Curved head support: small (9931000-61)



Item numbers for Curved head support, small (9931000-61)

Position	No.	Description	Quantity	Unit of Measure	Ean code
1	172724	Head rest - size S	1	PCS	5715393010424

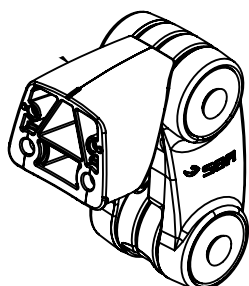
### Spare parts for Curved head support: medium (9932000-61)



Item numbers for Curved head support, medium (9932000-61)

Position	No.	Description	Quantity	Unit of Measure	Ean code
1.1	172726	Head rest - size M	1	PCS	5715393010431

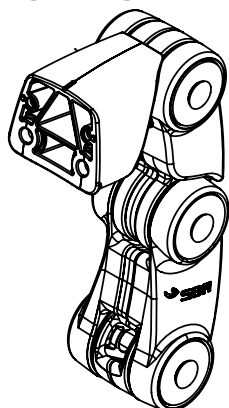
## Spare parts for Standard turtle neck (9900050-00)



### Item numbers for Standard turtle neck (9900050-00)

Position	No.	Description	Quantity	Unit of Measure	Ean code
N/A	175329	Turtle bar system standard	1	PCS	5715393010417

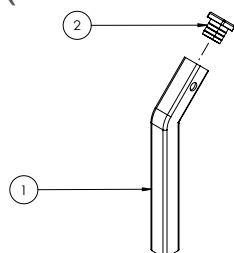
## Spare parts for Extended turtle neck (9900060-00)



### Item numbers for Extended turtle neck (9900060-00)

Position	No.	Description	Quantity	Unit of Measure	Ean code
N/A	175331	Turtle bar system extended	1	PCS	5715393010400

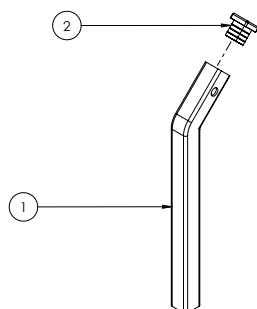
### Spare parts for Short rod 80 mm - For head support, stainless (9900005-00)



Item numbers for Short rod 80 mm - For head support, stainless (9900005-00)

Position	No.	Description	Quantity	Unit of Measure	Ean code
1	175372	Turtle bar short	1	PCS	5715393012916
2	2504005	Ferrule e15x15x1,0-2,int.black	1	PCS	5707292144119

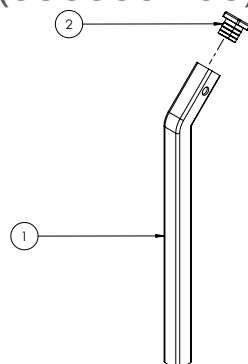
### Spare parts for Medium rod 120 mm - For head support, stainless (9900006-00)



Item numbers for Medium rod 120 mm - For head support, stainless (9900006-00)

Position	No.	Description	Quantity	Unit of Measure	Ean code
1	175384	Turtle bar medium	1	PCS	5715393012923
2	2504005	Ferrule e15x15x1,0-2,int.black	1	PCS	5707292144119

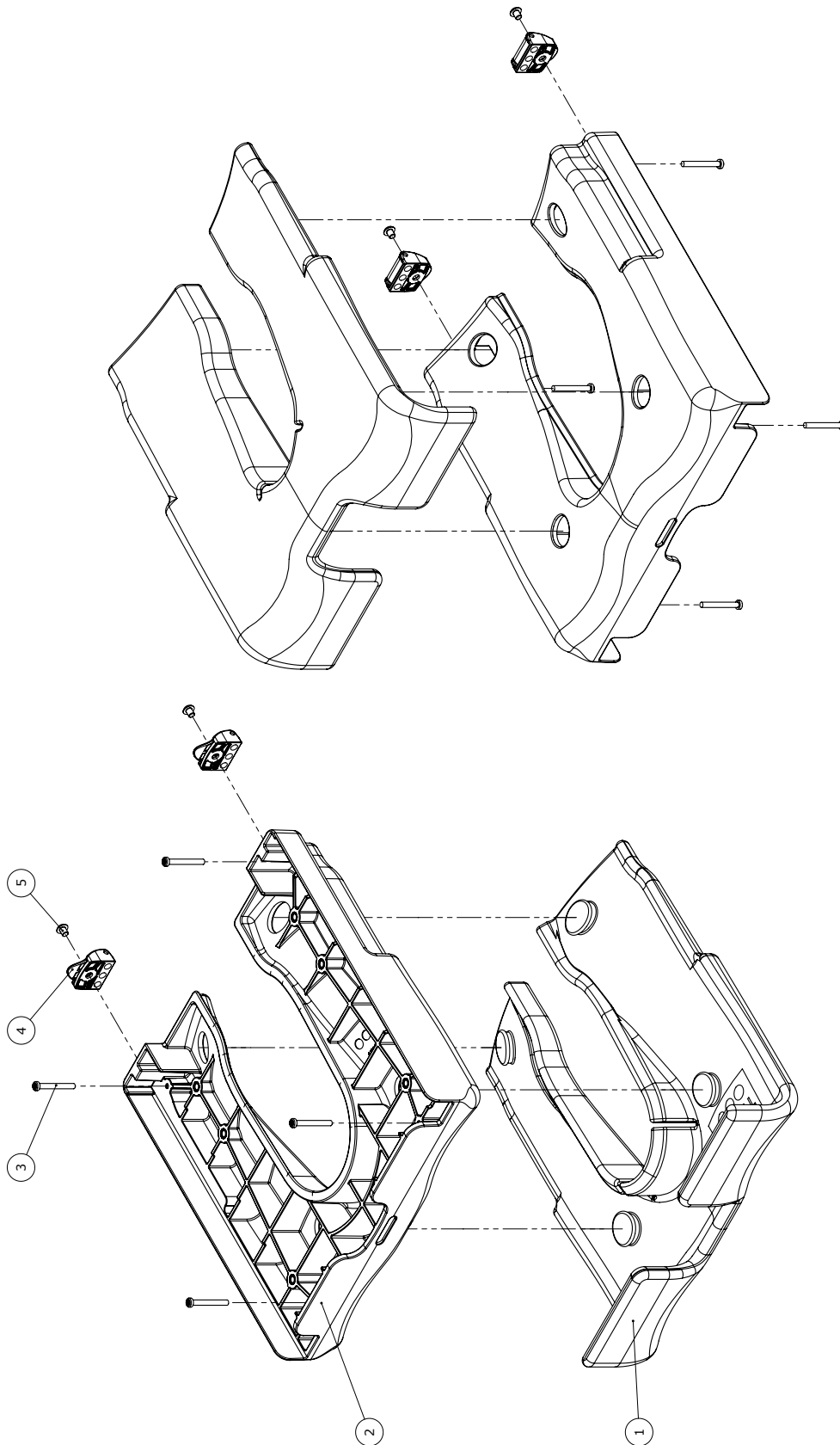
### Spare parts for Long rod 210 mm - For head support, stainless (9900007-00)



Item numbers for Long rod 210 mm - For head support, stainless (9900007-00)

Position	No.	Description	Quantity	Unit of Measure	Ean code
1	175387	Turtle bar long	1	PCS	5715393012930
2	2504005	Ferrule e15x15x1,0-2,int.black	1	PCS	5707292144119

**Spare parts for Seat plate and PU size 1 (882071-KIT), Seat plate and PU size 2 (882072-KIT) & Seat plate and PU size 3 (882073-KIT)**



## Item numbers for Spare parts for Seat plate and PU size 1 (882071-KIT)

Position	No.	Description	Quantity	Unit of Measure	Ean code
1	173253-1	Seat Cushion - Size 1	1	PCS	5715393066940
2	173183-1	Seat base size 1	1	PCS	5715393067015
3	1940020	EJOT PT screw K40x35	4	PCS	5715393055982
4	110202	Snap Lock R82-25 With ø6	2	PCS	5707292575913
5	0631952	Button head M5x6, rf tuflok	2	PCS	5707292503725

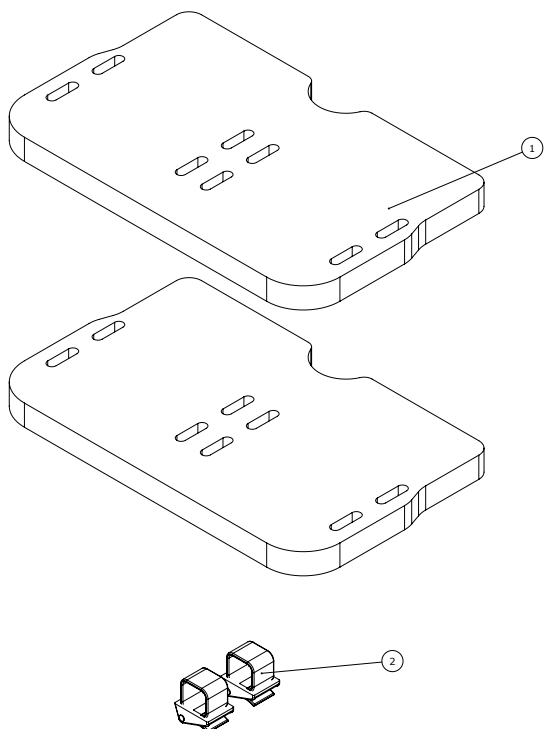
## Item numbers for Spare parts for Seat plate and PU size 2 (882072-KIT)

Position	No.	Description	Quantity	Unit of Measure	Ean code
1	174037-1	Seat Cushion - Size 2	1	PCS	5715393066957
2	173949-1	Seat base size 2	1	PCS	5715393067022
3	1940022	PT screw K40x30	4	PCS	5707292997432
4	110202	Snap Lock R82-25 With ø6	2	PCS	5707292575913
5	0631952	Button head M5x6, rf tuflok	2	PCS	5707292503725

## Item numbers for Spare parts for Seat plate and PU size 3 (882073-KIT)

Position	No.	Description	Quantity	Unit of Measure	Ean code
1	173538-1	Seat Cushion - Size 3	1	PCS	5715393066964
2	173526-1	Seat base size 3	1	PCS	5715393067039
3	1940022	PT screw K40x30	4	PCS	5707292997432
4	110202	Snap Lock R82-25 With ø6	2	PCS	5707292575913
5	0631952	Button head M5x6, rf tuflok	2	PCS	5707292503725

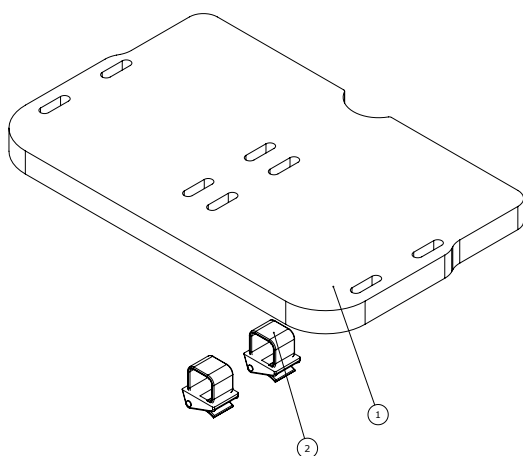
## Spare parts for Padding for foot support size 1 (882151-PADS)



Item numbers for Padding for foot support size 1 (882151-PADS)

Position	No.	Description	Quantity	Unit of Measure	Ean code
1	181049	Foot high adjustment size 1	2	PCS	5715393067626
2	5540600	Blue strap w fixlock,toileтч.	2	PCS	5707292960832

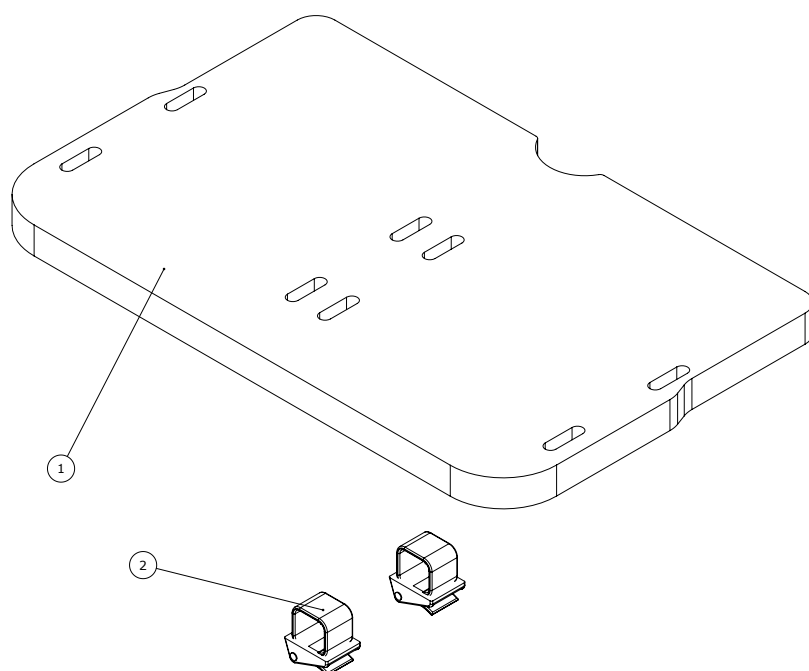
## Spare parts for Padding for foot support size 2 (882152-PADS)



Item numbers for Padding for foot support size 2 (882152-PADS)

Position	No.	Description	Quantity	Unit of Measure	Ean code
1	181050	Foot high adjustment size 2	1	PCS	5715393067633
2	5540600	Blue strap w fixlock,toileтч.	2	PCS	5707292960832

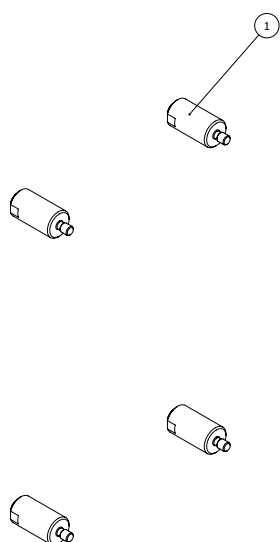
## Spare parts for Padding for foot support size 3 (882153-PADS)



### Item numbers for Padding for foot support size 3 (882153-PADS)

Position	No.	Description	Quantity	Unit of Measure	Ean code
1	181051	Foot high adjustment size 3	1	PCS	5715393067640
2	5540600	Blue strap w fixlock,toileth.	2	PCS	5707292960832

## Spare parts for Seat depth reduction kit (882080)



### Item numbers for Seat depth reduction kit (882080 )

Position	No.	Description	Quantity	Unit of Measure	Ean code
1	182800	Spacer for suction cup	4	PCS	5715393066544