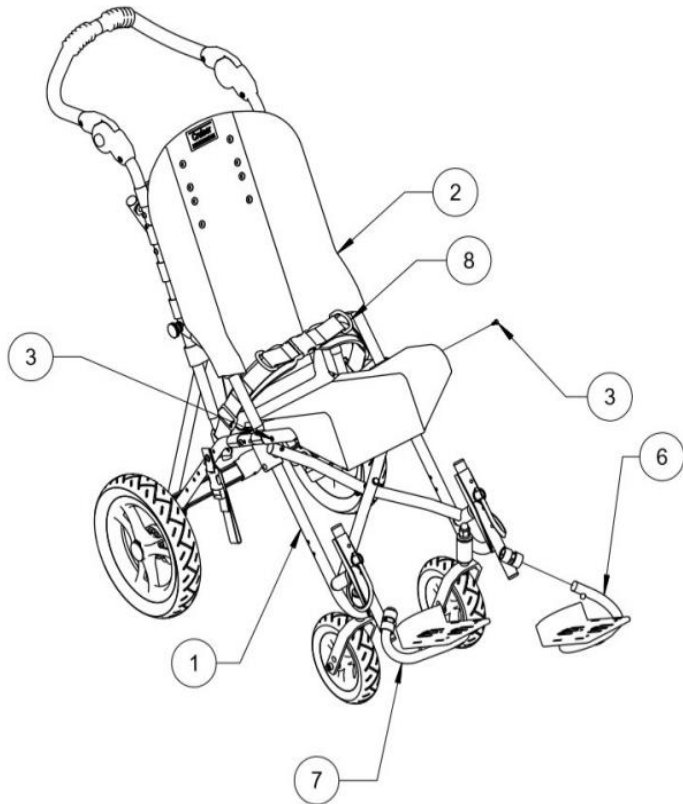
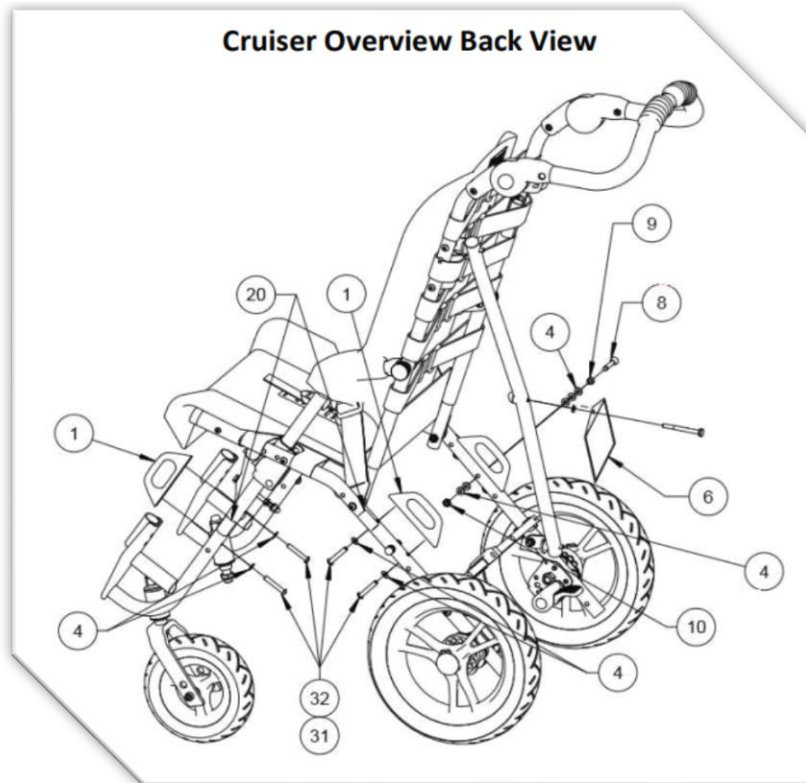


Cruiser Overview Front View



Page 1: Front View

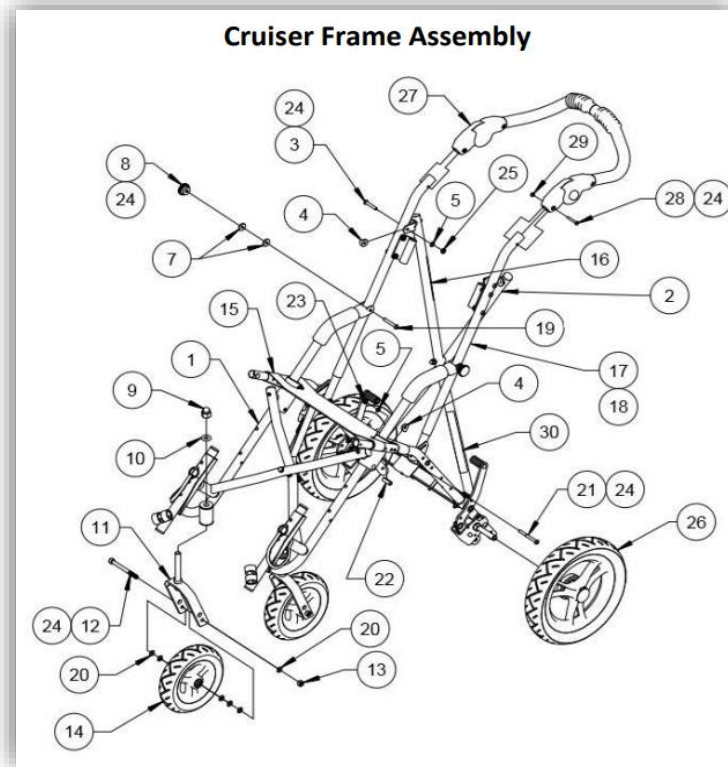
SIZE	KIT NAME	ITEM NO.	DESCRIPTION	Qty2	KIT	Price
10	CX10 Back Upholstery (Cordura) Only	2	CX-10 Standard Seat Assy	1	991396	\$ 350.00
18	CX18 REGULAR TEXTILENE UPHOLSTERY	2	CX-18 STD Seat w. adj Crotch Strap	1	992094	\$ 350.00
10, 12	Footplate Assembly SMALL - LH	6	CX-10 Foot Rest Assembly LH	1	992658	\$ 156.80
10, 12	Footplate Assembly SMALL - RH	7	CX-10 Foot Rest Assembly RH	1	992659	\$ 156.80
14	Footplate Assembly STD - LH	6	Footrest Assembly - Standard LHS	1	992660	\$ 202.80
14	Footplate Assembly STD - RH	7	Footrest Assembly - Standard RHS	1	992661	\$ 202.80
16, 18	Footplate Assembly - LH	6	Footrest Assy, Adult, LH	1	992662	\$ 225.00
16, 18	Footplate Assembly ADULT - RH	7	Footrest Assy, Adult, RH	1	992663	\$ 225.00



Page 2: Back View

SIZE	KIT NAME	ITEM NO.	DESCRIPTION	QTY	KIT	Price
14	CX14 Bus Kit (Manufacturing Installation Required)	4	Washer 1/4" AN-960-416	18	990277	\$ 200.00
14		6	Caution Card WC/19	1		
14		8	Transit Anchor Lock Pin 1-3/8" (Manufacturing Installation Required)	2		
14		9	Transit Anchor Lock Pin Sleeve (Manufacturing Installation Required)	2		
14		10	Locknut 1/4"-28 Jam Flexlock Black Zinc	2		
14		20	Anchor Logo	4		
14		31	Removable Thread Locker (Red)	AR		
14		32	BOLT 1/4"-20 X 1-1/2" Socket Button Head	8		
16		CX16 Bus Kit (Manufacturing Installation Required)	4	Washer 1/4" AN-960-416		
16	6		Caution Card WC/19	1		
16	8		Transit Anchor Lock Pin 1-3/8" (Manufacturing Installation Required)	2		
16	9		Transit Anchor Lock Pin Sleeve (Manufacturing Installation Required)	2		
16	10		Locknut 1/4"-28 Jam Flexlock Black Zinc	2		
16	20		Anchor Logo	4		
16	31		Removable Thread Locker (Red)	AR		
16	32		BOLT 1/4"-20 X 1-1/2" Socket Button Head	8		

10	CX10 Transit Conversion Kit (Manufacturing Installation Required)	4	Washer 1/4" AN-960-416	12	991355	\$ 200.00
10		6	Caution Card WC/19	1		
10		8	Transit Anchor Lock Pin 1-1/8" (Manufacturing Installation Required)	2		
10		9	Transit Anchor Lock Pin Sleeve (Manufacturing Installation Required)	2		
10		10	Locknut 1/4"-28 Jam Flexlock Black Zinc	2		
10		20	Anchor Logo	4		
10		31	Removable Thread Locker (Red)	AR		
10		32	BOLT 1/4"-20 X 1-1/2" Socket Button Head	8		
All Sizes	CX12 Transit Conversion Kit (Manufacturing Installation Required)	1	Inline Transit Anchor (Manufacturing Installation Required)	4	991677	\$ 200.00
12		4	Washer 1/4" AN-960-416	18		
12		6	Caution Card WC/19	1		
12		8	Transit Anchor Lock Pin 1-3/8" (Manufacturing Installation Required)	2		
12		9	Transit Anchor Lock Pin Sleeve (Manufacturing Installation Required)	2		
12		10	Locknut 1/4"-28 Jam Flexlock Black Zinc	2		
12		20	Anchor Logo	4		
12		31	Removable Thread Locker (Red)	AR		
12		32	BOLT 1/4"-20 X 1-1/2" Socket Button Head	8		
18		CX-18 Transport (Bus) Kit (Manufacturing Installation Required)	4	Washer 1/4" AN-960-416		
18	6		Caution Card WC/19	1		
18	8		Transit Anchor Lock Pin 1-3/8" (Manufacturing Installation Required)	2		
18	9		Transit Anchor Lock Pin Sleeve (Manufacturing Installation Required)	2		
18	10		Locknut 1/4"-28 Jam Flexlock Black Zinc	2		
18	20		Anchor Logo	4		
18	31		Removable Thread Locker (Red)	AR		
18	32		Bolt 1/4"-20 X 1-3/4" Socket Button H	8		
All Sizes	Inline Transit Anchor (Manufacturing Installation Required)	1	Inline Transit Anchor (Manufacturing Installation Required)	1	997067	\$ 25.00

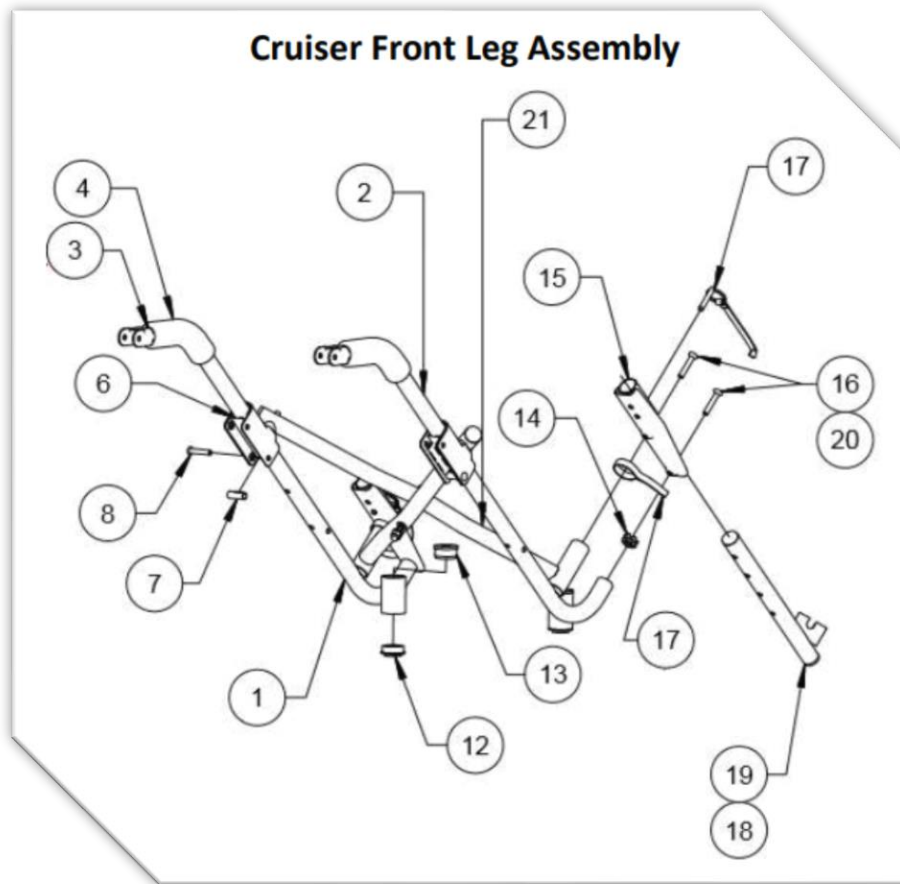


Page 3: Frame Assembly

SIZE	KIT NAME	ITEM #	DESCRIPTION	QTY	KIT	Price
14	CX/SC14T Front Assembly - Bus	1	CX-14 Front Frame Assembly	1	990202	\$ 800.00
14		4	Coved Washer - 3/4"	4		
14		5	Washer 1/4" AN-960-416	8		
14		23	Locknut 1/4"-28 Capped Nylon	4		
14		-	Transport Anchor (Manufacturing Installation Required)	2		
14		-	Anchor Logo	2		
14		-	Bolt 1/4"-28 X 1-3/4" Hex Head-Grade	2		
14		-	Nylon Washer 1/4" X 1/2"	4		
14	CX/ME/SC14 Seat Support Webbing	15	CX-14 Seat Support	1	990248	\$ 99.60
14	CX14 One Piece Push Handle	27	CX-14 Single Pc Handle Assembly	1	990288	\$ 285.00
14	CX14 Anatomic Handle Assy for One Pc Handle	17	CX-14 Handle Tube Bent Assy LH	1	990289	\$ 139.00
14		18	CX-14 Handle Tube Bent Assy RH	1		
14		28	Screw #10-24 X 1-1/4" Phil Pan	2		
14	CX14 Handle Assy For One Pc Handle-pair	29	Locknut #10-24 Jam Flexlock Black Zinc	2	990291	\$ 139.00
14		17	CX-14 Handle Tube Bent Assy LH	1		
14		18	CX-14 Handle Tube Bent Assy RH	1		
16	CX/SC16 Front Assembly - Std	1	CX-16 Front Frame Assembly	1	990301	\$ 800.00

16	CX/SC16T Front Assembly - Bus	1	CX-16 Front Frame Assembly	1	990302	\$ 800.00
16		4	Coved Washer - 3/4"	4		
16		5	Washer 1/4" AN-960-416	8		
16		23	Locknut 1/4"-28 Capped Nylon	4		
16		-	Transport Anchor (Manufacturing Installation Required)	2		
16		-	Anchor Logo	2		
16		-	Bolt 1/4"-28 X 1-3/4" Hex Head-Grade	2		
16		-	Nylon Washer 1/4" X 1/2"	4		
16		CX/ME/SC16 Seat Support Webbing	15	CX-16 Seat Support		
16	CX16 One Piece Push Handle	27	CX-16 Single Pc Handle Assembly	1	990388	\$ 285.00
16		28	Screw #10-24 X 1-1/4" Phil Pan	2		
16		29	Locknut #10-24 Jam Flexlock Black Zinc	2		
16	CX16 Handle Assy For One Pc Handle-pair	17	CX-16/18 Handle Tube Bent Assy LH	1	990391	\$ 139.00
16		18	CX-16/18 Handle Tube Bent Assy RH	1		
10	CX10 Seat Support Webbing	15	CX-10 Seat Support Assembly	1	991338	\$ 99.60
10	CX10 One Piece Push Handle	27	CX-10 Single Pc Handle Assembly	1	991388	\$ 285.00
10		28	Screw #10-24 X 1-1/4" Phil Pan	2		
10		29	Locknut #10-24 Jam Flexlock Black Zinc	2		
12	CX/SC12 Front Frame Assembly - STD	1	CX-12 Front Frame Assembly	1	991601	\$ 800.00
12	CX/SC12 Front Assembly - Transit (Manufacturing Installation Required)	1	CX-12 Front Frame Assembly	1	991602	\$ 800.00
12		4	Coved Washer - 3/4"	4		
12		5	Washer 1/4" AN-960-416	4		
12		-	Transport Anchor (Manufacturing Installation Required)	1		
12		-	Rivet 1/4" X 1-7/16" S/T Steel	4		
12	CX12 Rear Assembly - STD	2	CX-12 Rear Frame Assembly	1	991603	\$ 837.60
12	CX/ME/SC12 Seat Support Webbing	15	CX-12 Seat Support Assembly	1	991648	\$ 99.60
12	CX12 One Piece Push Handle	27	CX-12 Single Pc Handle Assembly	1	991688	\$ 285.00
12		28	Screw #10-24 X 1-1/4" Phil Pan	2		
12		29	Locknut #10-24 Jam Flexlock Black Zinc	2		
10, 12	CX10/12 Handle Assy for One Pc Handle-Pair	17	CX-10/12 Handle Tube Bent Assy LH	1	991691	\$ 139.00
10, 12		18	CX-10/12 Handle Tube Bent Assy RH	1		
18	CX/SC18 Front Assembly - Std	1	CX-18 Front Frame Assembly	1	992001	\$ 800.00
18	CX/SC18T Front Assembly - Bus	1	CX-18 Front Frame Assembly	1	992002	\$ 800.00
18		-	Transport Anchor (Manufacturing Installation Required)	2		
18		-	Anchor Logo	2		
18		-	Rivet 1/4" X 1-9/16" S/T	4		
18		-	Coved Washer - 1"	4		
18		-	Washer 1/4" AN-960-416	4		
18		-				
All Sizes	Plastic Knob 1/4"-28 Insert	8	Plastic Knob 1/4"-28 Insert	1	995629	\$ 4.65

10, 12, 14, 16	Caster Fork Assembly 7.5" X 2" (ROLKO)	10	"O" Ring Buna-Nitrile	1	996009	\$ 40.00
10, 12, 14, 17		11	Balloon Caster Fork Assembly	1		
10, 12, 14, 16	Standard Tires 7.5" X 2" Front, 11.5" X 2.5" Rear	12	Bolt M8-1.25mm x 90mm Socket Cap Screw	2	996606	\$ 400.00
10, 12, 14, 16		13	Locknut M8-1.25 Nylon Insert	2		
10, 12, 14, 16		14	Front Wheel w/3-Spokes 182.5x51mm Rolko	2		
10, 12, 14, 16		20	Washer 5/16" X 9/16"	12		
10, 12, 14, 16		26	Rear Wheel 290mm x 60mm (Rolko)	2		



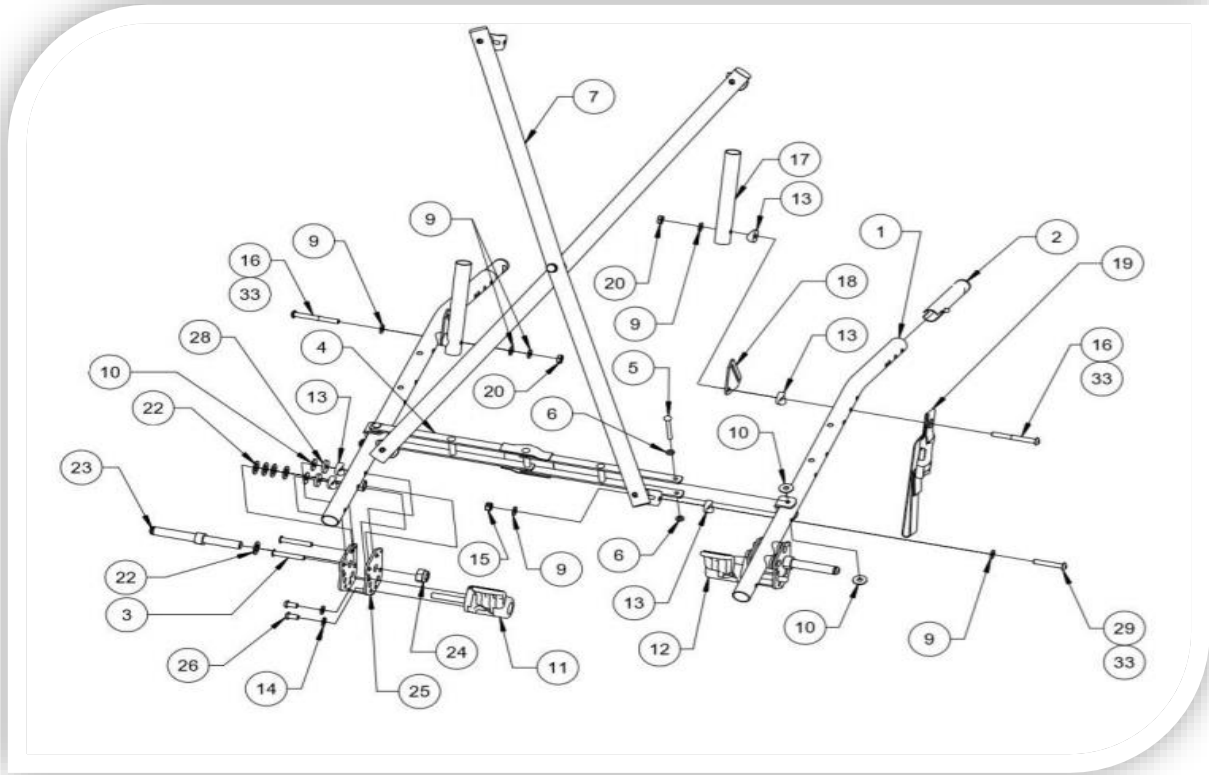
Page 4: Front Leg Assembly

SIZE	KIT NAME	ITEM NO.	DESCRIPTION	QTY	KIT	Price
14	CX/SC14 Front Leg Assembly - Std LH	1	CX-14 Front Leg Assy-LH	1	990264	\$ 70.80
14		3	Double Sided Tape 3/4" x 36	1		
14		4	Foam Armrest 5" x 3/4"	1		
14		12	Flanged Bearing 1/2" shielded Greased	1		
14		13	Caster Stem Bushing	1		
14		14	Tube Connector 7/8" Heavy Duty	1		
14		-	Bolt 1/4"-28 x 1-1/2" Socket Button Head- b	1		
14		-	Locknut 1/4"-28 Capped Nylon	1		
14		CX/SC14 Front Leg Assembly - Std RH	2	CX-14 Front Leg Assy-RH		
14	-		Double Sided Tape 3/4" x 36	1		
14	-		Foam Armrest 5" x 3/4"	1		
14	-		Flanged Bearing 1/2" shielded Greased	1		
14	-		Caster Stem Bushing	1		
14	-		Tube Connector 7/8" Heavy Duty	1		
14	-		Bolt 1/4"-28 x 1-1/2" Socket Button Head- b	1		
14	-		Locknut 1/4"-28 Capped Nylon	1		
16	CX/SC16 & PR14 Front X Brace Assembly	5	CX-16 Front X Brace Assembly	1	990307	\$ 394.80

16	CX/SC16 Front Leg Assembly - Std LH	1	CX-16 Front Leg Assy LH	1	990364	\$ 70.80
16		4	Foam Armrest 5" x 3/4"	2		
16		12	Flanged Bearing 1/2" shielded Greased	1		
16		13	Caster Stem Bushing	1		
16		14	Tube Connector 7/8" Heavy Duty	2		
16		-	Bolt 1/4"-28 x 1-1/2" Socket Button Head- b	1		
16		-	Locknut 1/4"-28 Capped Nylon	1		
16		CX/SC16 Front Leg Assembly - Std RH	2	CX-16 Front Leg Assembly-RH		
16	-		Foam Armrest 5" x 3/4"	1		
16	-		Flanged Bearing 1/2" shielded Greased	1		
16	-		Caster Stem Bushing	1		
16	-		Tube Connector 7/8" Heavy Duty	2		
16	-		Bolt 1/4"-28 x 1-1/2" Socket Button Head- b	1		
16	-		Locknut 1/4"-28 Capped Nylon	1		
10	CX10 Front X Brace Assembly		5	CX-10 Front X Brace Assembly	1	991307
10	CX10 Front Leg Assembly - Std LH	1	CX-10 Front Leg Welded Assy - LH	1	991341	\$ 115.00
10		3	Double Sided Tape 3/4" x 36	1		
10		4	Foam Armrest 5" x 3/4"	1		
10		12	Flanged Bearing 1/2" shielded Greased	1		
10		13	Caster Stem Bushing	1		
10		14	Tube Connector 7/8" Heavy Duty	1		
10		CX10 Front Leg Assembly - Std RH	2	CX-10 Front Leg Welded Assy - RH		
10	4		Foam Armrest 5" x 3/4"	1		
10	12		Flanged Bearing 1/2" shielded Greased	1		
10	13		Caster Stem Bushing	1		
10	14		Tube Connector 7/8" Heavy Duty	1		
12	CX/SC12/14 Front X Brace Assembly	5	CX-14 Front X Brace Assembly	1	991607	\$ 358.80
14		5	CX-14 Front X Brace Assembly	1		
12	CX/SC12 Front Frame Assembly - STD LH	1	CX-12 Front Leg, Welded LH	1	991664	\$ 70.80
12	CX/SC12 Front Frame Assembly - STD RH	2	CX-12 Front Leg, Welded RH	1	991665	\$ 70.80
12	CX/SC12 Front Leg Assembly - Transit LH (Manufacturing Installation Required)	1	CX-12 Front Leg, Welded LH	1	991666	\$ 78.00
12		-	Transport Anchor (Manufacturing Installation Required)	1		
12		-	Rivet 1/4" X 1-7/16" S/T Steel	2		
12		-	Coved Washer - 3/4"	2		
12		-	Washer 1/4" AN-960-416	2		
12		-	Anchor Logo	1		
12		CX/SC12 Front Leg Assembly - Transit RH (Manufacturing Installation Required)	2	CX-12 Front Leg, Welded RH		
12	-		Transport Anchor (Manufacturing Installation Required)	1		
12	-		Rivet 1/4" X 1-7/16" S/T Steel	2		
12	-		Coved Washer - 3/4"	2		
12	-		Washer 1/4" AN-960-416	2		
12	-		Anchor Logo	1		

18	CX/SC18 Front X Brace Assembly	5	CX-18 Front X Brace Assembly	1	992007	\$ 394.80
18	CX/SC18 Front Leg - Std LH	1	CX-18 Front Leg Welded Assembly LH	1	992053	\$ 79.20
18		3	Double Sided Tape 3/4" x 36	1		
18		-	CX-18 Neoprene Armrest 5" X 1" ID.	1		
18		-	Washer 1/4" AN-960-416	1		
18		-	Locknut 1/4"-28 Capped Nylon	1		
18		-	Bolt 1/4"-28 x 1-3/4" Socket Button Hd Alloy	1		
18		12	Flanged Bearing 1/2" shielded Greased	1		
18		13	Caster Stem Bushing	1		
18		14	Tube Connector 1" Heavy Duty	2		
18		CX/SC18 Front Leg - Std RH	2	CX-18 Front Leg Welded Assembly RH		
18	-		CX-18 Neoprene Armrest 5" X 1" ID.	1		
18	-		Flanged Bearing 1/2" shielded Greased	1		
18	-		Caster Stem Bushing	1		
18	-		Tube Connector 1" Heavy Duty	2		
18	-		Double Sided Tape 3/4" x 36	1		
18	-		Washer 1/4" AN-960-416	1		
18	-		Locknut 1/4"-28 Capped Nylon	1		
18	-		Bolt 1/4"-28 x 1-3/4" Socket Button Hd Alloy	1		
All Size	Footplate Adj Tube - LH		18	Footplate Adjustment Tube LH	1	992677
All Size	Footplate Adj Tube - RH	19	Footplate Adjustment Tube RH	1	992678	\$ 110.00
All Size	Armest Foam For CX - PAIR	4	Foam Armrest 5" x 3/4"	2	994702	\$ 38.40
18	Tube Connector 1" Heavy Duty	14	Tube Connector 1" Heavy Duty	1	995611	\$ 1.25
All Size	Stem Bushing	13	Caster Stem Bushing	1	995620	\$ 3.60
All Size	Standard Footplate Assembly Kit LH	15	Footrest Extens. Housing Assy.	1	996110	\$ 200.00
All Size		-	Footrest Assembly - Standard LHS	1		
All Size		-	Tube Connector 7/8" Heavy Duty	1		
All Size		-	Thread Locker-Medium-Vibra-tite	1		
All Size		16	Screw 1/4"-20 X 1-1/2"Flat Skt-blk zinc	2		
All Size		17	Detent Pin With Webbing Assembly	1		
All Size		18	Footplate Adjustment Tube LH	1		
All Size	Standard Footplate Assembly Kit RH	19	Footplate Adjustment Tube RH	1	996111	\$ 200.00
All Size		-	Footrest Assembly - Standard RHS	1		
All Size		-	Footrest Extens. Housing Assy.	1		
All Size		-	Tube Connector 7/8" Heavy Duty	1		
All Size		-	Screw 1/4"-20 X 1-1/2"Flat Skt-blk zinc	2		

All Size	-	Thread Locker-Medium-Vibra-tite	1	
All Size	-	Detent Pin With Webbing Assembly	1	



Page 5: Rear Assembly

SIZE	KIT NAME	ITEM NO.	DESCRIPTION	QTY	KIT	Price
14	CX/ME/SC14 Rear X Brace Assembly	7	CX-14 Rear X Brace Assembly	1	990208	\$ 330.00
14	CX/ME/SC14 Rear Lock Brace Assembly	4	CX-14 Rear Lock Brace Assy.	1	990209	\$ 100.00
14	CX14 Rear Leg Assembly - Std LH	1	CX-14 Seat Tube Welded Assembly	1	990268	\$ 100.00
16	CX/ME/SC16 Rear X Brace Assembly	7	CX-16 Rear X Brace Assembly	1	990308	\$ 362.40
16	CX/ME/SC16 & PR14 Rear Lock Brace Assembly	4	CX-16 Rear Lock Brace Assly	1	990309	\$ 100.00
16	CX16 Telescoping Tube - pair	17	Telescoping Tube 7/8"	2	990341	\$ 70.80
10	CX10 Rear Lock Brace Assembly	4	CX-10 Rear Lock Brace Assembly	1	991309	\$ 225.60
12	CX/ME/SC12 Rear X Brace Assembly	7	CX-12 Rear X Brace Assembly	1	991608	\$ 330.00
12	CX/ME/SC12 Rear Lock Brace Assembly	4	ME-12 Rear Lock Brace Assembly	1	991609	\$ 171.60
10, 12, 14	CX12 Telescoping Tube - Pair	17	Telescoping Tube 3/4"	2	991641	\$ 70.80
18	CX/SC18 Rear X Brace Assembly	7	CX-18 Rear X Brace Assembly	1	992008	\$ 362.40

18	CX/ME/SC18 & PR16 Rear Lock Brace Assembly	4	CX-18 Rear Lock Assembly	1	992009	\$ 100.00
18		-	Nylon Washer 1/4" X 1/2"	4		
18		-	Bolt 1/4"-28 X 2" Hex Head	2		
18		9	Washer 1/4" AN-960-416	4		
18		10	Nylon Washer 1/4" X 11/16"	4		
18		15	Locknut 1/4"-28 Flexlock Black Zinc	2		
18	CX18 Telescoping Tube - pair	17	CX-18 Telescoping Tube	2	992041	\$ 85.20
18	Brake Assembly Long - LH	11	Hand Toggle Brake Assy Long LH	1	992685	\$ 99.60
18	Brake Assembly Long - RH	12	Hand Toggle Brake Assy Long RH	1	992686	\$ 99.60
14, 16	VV Seat Extension Tube - pair	2	VV-12 Seat Tube Extension Assy	2	994023	\$ 5.75
10, 12	CX10, CX/CC/CL/CS12, EZ/CV18 Seat Ext Assembly	2	CX-10/12 Seat Extension Tube Assy Short	1	994777	\$ 15.00
18	CX/SC/CC/CL/CS18 Seat Ext Assy Short	2	CX-18 Seat Tube Extension Assembly	1	994781	\$ 10.00
10, 12, 14	CX-10/12/14 Strap Bracket Replacement Kit	16	Bolt 1/4"-28 x 2-1/4" Socket Button Hd Alloy	1	997269	\$ 20.00
10, 12, 14		18	Footstrap Bracket	1		
10, 12, 14		-	Coved Washer - 3/4"	2		
10, 12, 14		-	Washer 1/4" AN-960-416	3		
10, 12, 14		20	Locknut 1/4"-28 Jam Flexlock Black Zinc	1		
10, 12, 14, 16	R82 Brake Assembly (LH)	11	R82 Brake Assembly LH	1	997308	\$ 55.00
10, 12, 14, 16		14	Split Lock Washer 1/4" ID	2		
10, 12, 14, 16		26	Bolt 1/4"-20 X 1/2" Socket Button Head	2		
10, 12, 14, 16	R82 Brake Assembly (RH)	12	R82 Brake Assembly RH	1	997309	\$ 55.00
10, 12, 14, 16		-	Split Lock Washer 1/4" ID	2		
10, 12, 14, 16		-	Bolt 1/4"-20 X 1/2" Socket Button Head	2		
10, 12, 14, 16	R82 Brake Replacement Kit (CX10- 12 ME12)	9	Washer 1/4" AN-960-416	4	997310	\$ 150.00
10, 12, 14, 16		10	Nylon Washer 1/4" X 11/16"	4		
10, 12, 14, 16		11	R82 Brake Assembly LH	1		
10, 12, 14, 16		12	R82 Brake Assembly RH	1		
10, 12, 14, 16		13	Coved Washer - 3/4"	4		
10, 12, 14, 16		14	Split Lock Washer 1/4" ID	4		
10, 12, 14, 16		15	Locknut 1/4"-28 Flexlock Black Zinc	4		
10, 12, 14, 16		22	Washer 7/16" AN-960-716	12		
10, 12, 14, 16		23	Rear Axle	2		
10, 12, 14, 16		24	Locknut 7/16"-20 Nylon Insert Black Zinc	2		
10, 12, 14, 16		25	R82 Brake Bracket	4		
10, 12, 14, 16		26	Bolt 1/4"-20 X 1/2" Socket Button Head	4		
10, 12, 14, 16		-	Bolt 1/4"-28 x 1-3/4" Socket Button Hd Alloy	4		

10, 12, 14, 16

28

Nylon Washer 1/4" X 3/4" X 1/8"

4
