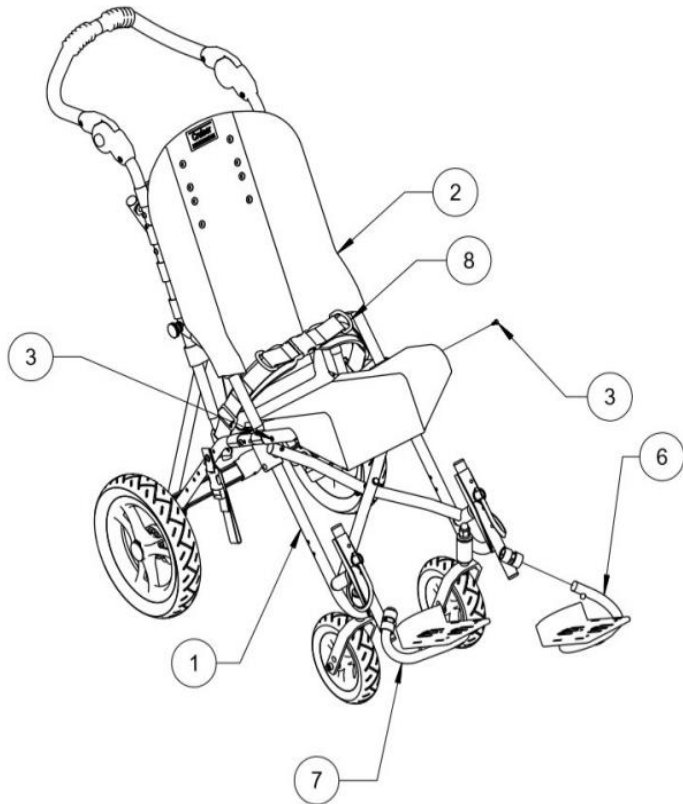
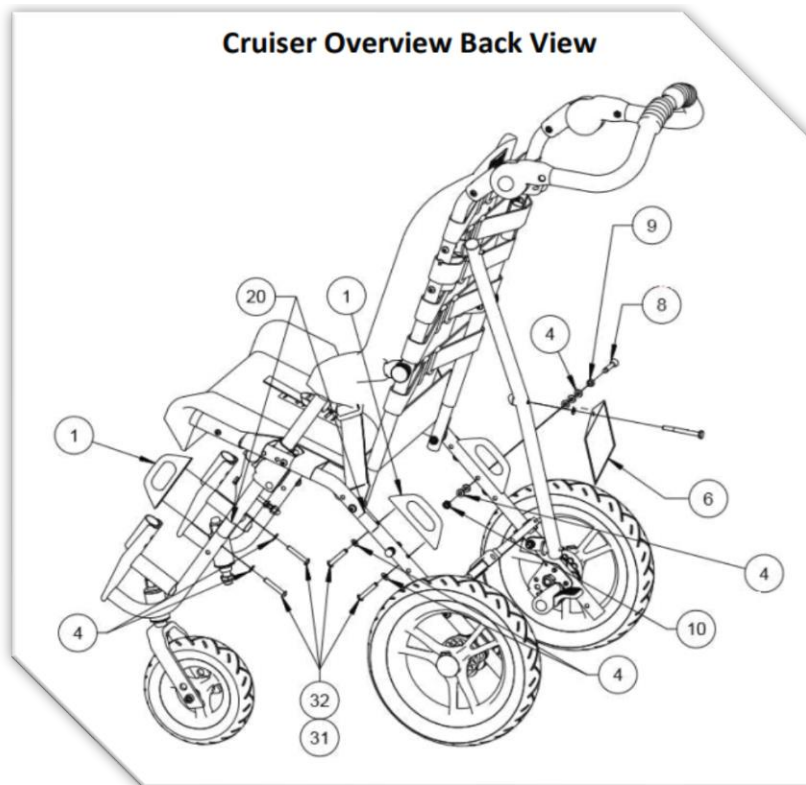


Cruiser Overview Front View



Page 1: Front View

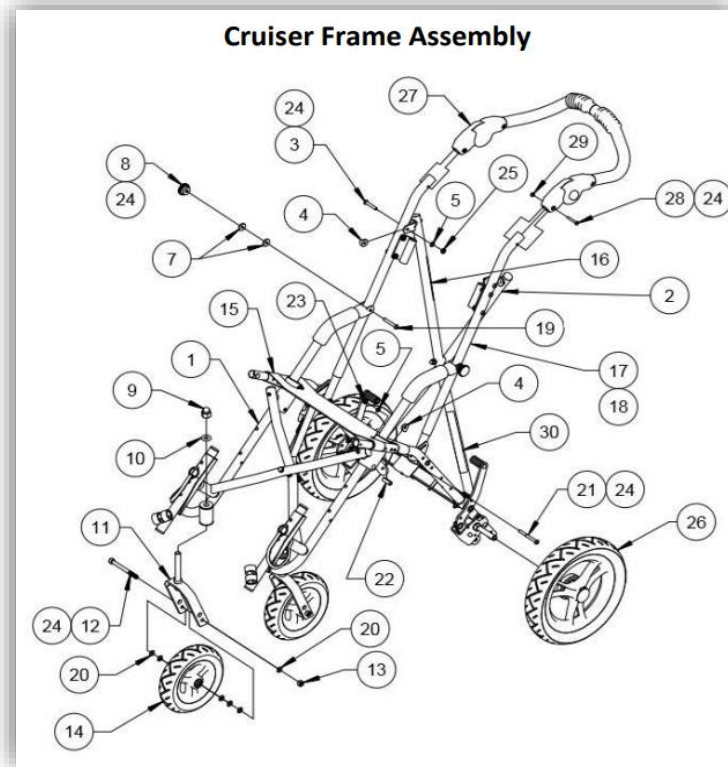
SIZE	KIT NAME	ITEM NO.	DESCRIPTION	Qty2	KIT
10	CX10 Back Upholstery (Cordura) Only	2	CX-10 Standard Seat Assy	1	991396
18	CX18 REGULAR TEXTILENE UPHOLSTERY	2	CX-18 STD Seat w. adj Crotch Strap	1	992094
10, 12	Footplate Assembly SMALL - LH	6	CX-10 Foot Rest Assembly LH	1	992658
10, 12	Footplate Assembly SMALL - RH	7	CX-10 Foot Rest Assembly RH	1	992659
14	Footplate Assembly STD - LH	6	Footrest Assembly - Standard LHS	1	992660
14	Footplate Assembly STD - RH	7	Footrest Assembly - Standard RHS	1	992661
16, 18	Footplate Assembly - LH	6	Footrest Assy, Adult, LH	1	992662
16, 18	Footplate Assembly ADULT - RH	7	Footrest Assy, Adult, RH	1	992663



Page 2: Back View

SIZE	KIT NAME	ITEM NO.	DESCRIPTION	QTY	KIT
14	CX14 Bus Kit (Manufacturing Installation Required)	4	Washer 1/4" AN-960-416	18	990277
14		6	Caution Card WC/19	1	
14		8	Transit Anchor Lock Pin 1-3/8" (Manufacturing Installation Required)	2	
14		9	Transit Anchor Lock Pin Sleeve (Manufacturing Installation Required)	2	
14		10	Locknut 1/4"-28 Jam Flexlock Black Zinc	2	
14		20	Anchor Logo	4	
14		31	Removable Thread Locker (Red)	AR	
14		32	BOLT 1/4"-20 X 1-1/2" Socket Button Head	8	
16	CX16 Bus Kit (Manufacturing Installation Required)	4	Washer 1/4" AN-960-416	18	990377
16		6	Caution Card WC/19	1	
16		8	Transit Anchor Lock Pin 1-3/8" (Manufacturing Installation Required)	2	
16		9	Transit Anchor Lock Pin Sleeve (Manufacturing Installation Required)	2	
16		10	Locknut 1/4"-28 Jam Flexlock Black Zinc	2	
16		20	Anchor Logo	4	
16		31	Removable Thread Locker (Red)	AR	
16		32	BOLT 1/4"-20 X 1-1/2" Socket Button Head	8	

10	CX10 Transit Conversion Kit (Manufacturing Installation Required)	4	Washer 1/4" AN-960-416	12	991355
10		6	Caution Card WC/19	1	
10		8	Transit Anchor Lock Pin 1-1/8" (Manufacturing Installation Required)	2	
10		9	Transit Anchor Lock Pin Sleeve (Manufacturing Installation Required)	2	
10		10	Locknut 1/4"-28 Jam Flexlock Black Zinc	2	
10		20	Anchor Logo	4	
10		31	Removable Thread Locker (Red)	AR	
10		32	BOLT 1/4"-20 X 1-1/2" Socket Button Head	8	
All Sizes	CX12 Transit Conversion Kit (Manufacturing Installation Required)	1	Inline Transit Anchor (Manufacturing Installation Required)	4	991677
12		4	Washer 1/4" AN-960-416	18	
12		6	Caution Card WC/19	1	
12		8	Transit Anchor Lock Pin 1-3/8" (Manufacturing Installation Required)	2	
12		9	Transit Anchor Lock Pin Sleeve (Manufacturing Installation Required)	2	
12		10	Locknut 1/4"-28 Jam Flexlock Black Zinc	2	
12		20	Anchor Logo	4	
12		31	Removable Thread Locker (Red)	AR	
12	32	BOLT 1/4"-20 X 1-1/2" Socket Button Head	8		
18	CX-18 Transport (Bus) Kit (Manufacturing Installation Required)	4	Washer 1/4" AN-960-416	18	992066
18		6	Caution Card WC/19	1	
18		8	Transit Anchor Lock Pin 1-3/8" (Manufacturing Installation Required)	2	
18		9	Transit Anchor Lock Pin Sleeve (Manufacturing Installation Required)	2	
18		10	Locknut 1/4"-28 Jam Flexlock Black Zinc	2	
18		20	Anchor Logo	4	
18		31	Removable Thread Locker (Red)	AR	
18		32	Bolt 1/4"-20 X 1-3/4" Socket Button H	8	
All Sizes	Inline Transit Anchor (Manufacturing Installation Required)	1	Inline Transit Anchor (Manufacturing Installation Required)	1	997067

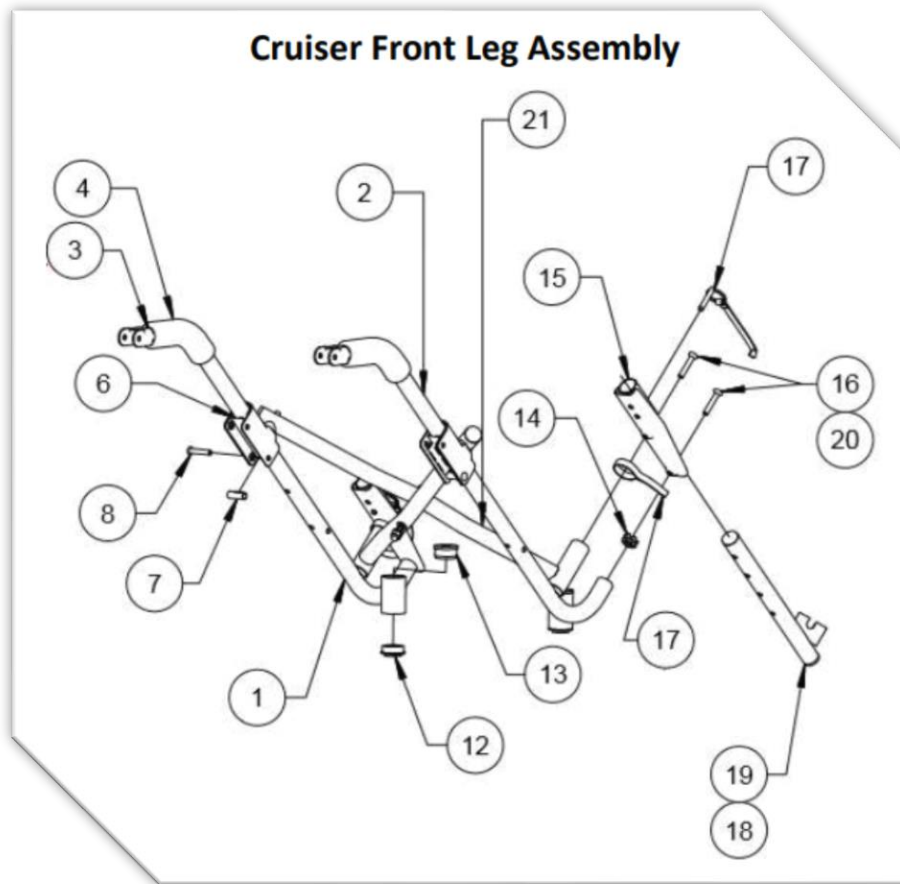


Page 3: Frame Assembly

SIZE	KIT NAME	ITEM #	DESCRIPTION	QTY	KIT
14	CX/SC14T Front Assembly - Bus	1	CX-14 Front Frame Assembly	1	990202
14		4	Coved Washer - 3/4"	4	
14		5	Washer 1/4" AN-960-416	8	
14		23	Locknut 1/4"-28 Capped Nylon	4	
14		-	Transport Anchor (Manufacturing Installation Required)	2	
14		-	Anchor Logo	2	
14		-	Bolt 1/4"-28 X 1-3/4" Hex Head-Grade	2	
14		-	Nylon Washer 1/4" X 1/2"	4	
14	CX/ME/SC14 Seat Support Webbing	15	CX-14 Seat Support	1	990248
14	CX14 One Piece Push Handle	27	CX-14 Single Pc Handle Assembly	1	990288
14	CX14 Anatomic Handle Assy for One Pc Handle	17	CX-14 Handle Tube Bent Assy LH	1	990289
14		18	CX-14 Handle Tube Bent Assy RH	1	
14		28	Screw #10-24 X 1-1/4" Phil Pan	2	
14		29	Locknut #10-24 Jam Flexlock Black Zinc	2	
14	CX14 Handle Assy For One Pc Handle-pair	17	CX-14 Handle Tube Bent Assy LH	1	990291
14		18	CX-14 Handle Tube Bent Assy RH	1	
16	CX/SC16 Front Assembly - Std	1	CX-16 Front Frame Assembly	1	990301

16	CX/SC16T Front Assembly - Bus	1	CX-16 Front Frame Assembly	1	990302
16		4	Coved Washer - 3/4"	4	
16		5	Washer 1/4" AN-960-416	8	
16		23	Locknut 1/4"-28 Capped Nylon	4	
16		-	Transport Anchor (Manufacturing Installation Required)	2	
16		-	Anchor Logo	2	
16		-	Bolt 1/4"-28 X 1-3/4" Hex Head-Grade	2	
16		-	Nylon Washer 1/4" X 1/2"	4	
16		CX/ME/SC16 Seat Support Webbing	15	CX-16 Seat Support	
16	CX16 One Piece Push Handle	27	CX-16 Single Pc Handle Assembly	1	990388
16		28	Screw #10-24 X 1-1/4" Phil Pan	2	
16		29	Locknut #10-24 Jam Flexlock Black Zinc	2	
16	CX16 Handle Assy For One Pc Handle-pair	17	CX-16/18 Handle Tube Bent Assy LH	1	990391
16		18	CX-16/18 Handle Tube Bent Assy RH	1	
10	CX10 Seat Support Webbing	15	CX-10 Seat Support Assembly	1	991338
10	CX10 One Piece Push Handle	27	CX-10 Single Pc Handle Assembly	1	991388
10		28	Screw #10-24 X 1-1/4" Phil Pan	2	
10		29	Locknut #10-24 Jam Flexlock Black Zinc	2	
12	CX/SC12 Front Frame Assembly - STD	1	CX-12 Front Frame Assembly	1	991601
12	CX/SC12 Front Assembly - Transit (Manufacturing Installation Required)	1	CX-12 Front Frame Assembly	1	991602
12		4	Coved Washer - 3/4"	4	
12		5	Washer 1/4" AN-960-416	4	
12		-	Transport Anchor (Manufacturing Installation Required)	1	
12		-	Rivet 1/4" X 1-7/16" S/T Steel	4	
12	CX12 Rear Assembly - STD	2	CX-12 Rear Frame Assembly	1	991603
12	CX/ME/SC12 Seat Support Webbing	15	CX-12 Seat Support Assembly	1	991648
12	CX12 One Piece Push Handle	27	CX-12 Single Pc Handle Assembly	1	991688
12		28	Screw #10-24 X 1-1/4" Phil Pan	2	
12		29	Locknut #10-24 Jam Flexlock Black Zinc	2	
10, 12	CX10/12 Handle Assy for One Pc Handle-Pair	17	CX-10/12 Handle Tube Bent Assy LH	1	991691
10, 12		18	CX-10/12 Handle Tube Bent Assy RH	1	
18	CX/SC18 Front Assembly - Std	1	CX-18 Front Frame Assembly	1	992001
18	CX/SC18T Front Assembly - Bus	1	CX-18 Front Frame Assembly	1	992002
18		-	Transport Anchor (Manufacturing Installation Required)	2	
18		-	Anchor Logo	2	
18		-	Rivet 1/4" X 1-9/16" S/T	4	
18		-	Coved Washer - 1"	4	
18		-	Washer 1/4" AN-960-416	4	
All Sizes	Plastic Knob 1/4"-28 Insert	8	Plastic Knob 1/4"-28 Insert	1	995629

10, 12, 14, 16	Caster Fork Assembly 7.5" X 2" (ROLKO)	10	"0" Ring Buna-Nitrile	1	996009
10, 12, 14, 17		11	Balloon Caster Fork Assembly	1	
10, 12, 14, 16	Standard Tires 7.5" X 2" Front, 11.5" X 2.5" Rear	12	Bolt M8-1.25mm x 90mm Socket Cap Screw	2	996606
10, 12, 14, 16		13	Locknut M8-1.25 Nylon Insert	2	
10, 12, 14, 16		14	Front Wheel w/3-Spokes 182.5x51mm Rolko	2	
10, 12, 14, 16		20	Washer 5/16" X 9/16"	12	
10, 12, 14, 16		26	Rear Wheel 290mm x 60mm (Rolko)	2	



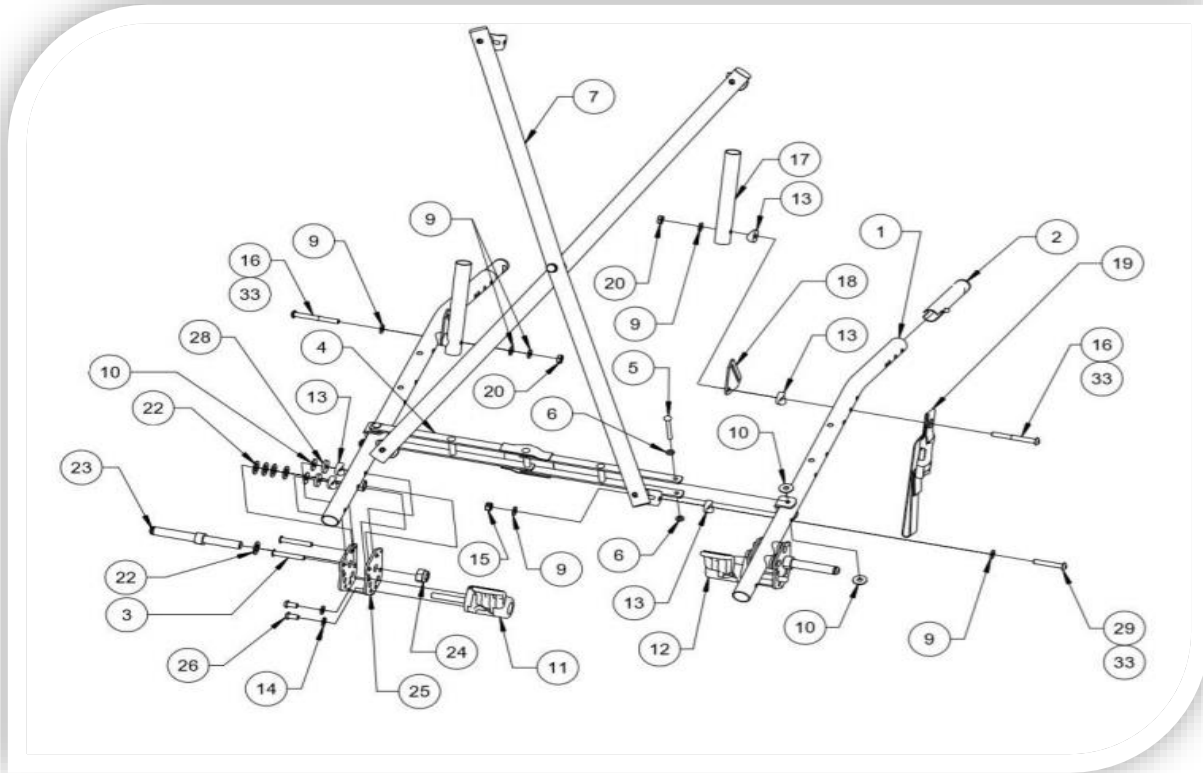
Page 4: Front Leg Assembly

SIZE	KIT NAME	ITEM NO.	DESCRIPTION	QTY	KIT
14	CX/SC14 Front Leg Assembly - Std LH	1	CX-14 Front Leg Assy-LH	1	990264
14		3	Double Sided Tape 3/4" x 36	1	
14		4	Foam Armrest 5" x 3/4"	1	
14		12	Flanged Bearing 1/2" shielded Greased	1	
14		13	Caster Stem Bushing	1	
14		14	Tube Connector 7/8" Heavy Duty	1	
14		-	Bolt 1/4"-28 x 1-1/2" Socket Button Head- b	1	
14		-	Locknut 1/4"-28 Capped Nylon	1	
14		CX/SC14 Front Leg Assembly - Std RH	2	CX-14 Front Leg Assy-RH	
14	-		Double Sided Tape 3/4" x 36	1	
14	-		Foam Armrest 5" x 3/4"	1	
14	-		Flanged Bearing 1/2" shielded Greased	1	
14	-		Caster Stem Bushing	1	
14	-		Tube Connector 7/8" Heavy Duty	1	
14	-		Bolt 1/4"-28 x 1-1/2" Socket Button Head- b	1	
14	-		Locknut 1/4"-28 Capped Nylon	1	
16	CX/SC16 & PR14 Front X Brace Assembly	5	CX-16 Front X Brace Assembly	1	990307

16	CX/SC16 Front Leg Assembly - Std LH	1	CX-16 Front Leg Assy LH	1	990364
16		4	Foam Armrest 5" x 3/4"	2	
16		12	Flanged Bearing 1/2" shielded Greased	1	
16		13	Caster Stem Bushing	1	
16		14	Tube Connector 7/8" Heavy Duty	2	
16		-	Bolt 1/4"-28 x 1-1/2" Socket Button Head- b	1	
16		-	Locknut 1/4"-28 Capped Nylon	1	
16		CX/SC16 Front Leg Assembly - Std RH	2	CX-16 Front Leg Assembly-RH	
16	-		Foam Armrest 5" x 3/4"	1	
16	-		Flanged Bearing 1/2" shielded Greased	1	
16	-		Caster Stem Bushing	1	
16	-		Tube Connector 7/8" Heavy Duty	2	
16	-		Bolt 1/4"-28 x 1-1/2" Socket Button Head- b	1	
16	-		Locknut 1/4"-28 Capped Nylon	1	
10	CX10 Front X Brace Assembly		5	CX-10 Front X Brace Assembly	1
10	CX10 Front Leg Assembly - Std LH	1	CX-10 Front Leg Welded Assy - LH	1	991341
10		3	Double Sided Tape 3/4" x 36	1	
10		4	Foam Armrest 5" x 3/4"	1	
10		12	Flanged Bearing 1/2" shielded Greased	1	
10		13	Caster Stem Bushing	1	
10		14	Tube Connector 7/8" Heavy Duty	1	
10		CX10 Front Leg Assembly - Std RH	2	CX-10 Front Leg Welded Assy - RH	
10	4		Foam Armrest 5" x 3/4"	1	
10	12		Flanged Bearing 1/2" shielded Greased	1	
10	13		Caster Stem Bushing	1	
10	14		Tube Connector 7/8" Heavy Duty	1	
12	CX/SC12/14 Front X Brace Assembly	5	CX-14 Front X Brace Assembly	1	991607
14		5	CX-14 Front X Brace Assembly	1	
12	CX/SC12 Front Frame Assembly - STD LH	1	CX-12 Front Leg, Welded LH	1	991664
12	CX/SC12 Front Frame Assembly - STD RH	2	CX-12 Front Leg, Welded RH	1	991665
12	CX/SC12 Front Leg Assembly - Transit LH (Manufacturing Installation Required)	1	CX-12 Front Leg, Welded LH	1	991666
12		-	Transport Anchor (Manufacturing Installation Required)	1	
12		-	Rivet 1/4" X 1-7/16" S/T Steel	2	
12		-	Coved Washer - 3/4"	2	
12		-	Washer 1/4" AN-960-416	2	
12		-	Anchor Logo	1	
12	CX/SC12 Front Leg Assembly - Transit RH (Manufacturing Installation Required)	2	CX-12 Front Leg, Welded RH	1	991667
12		-	Transport Anchor (Manufacturing Installation Required)	1	
12		-	Rivet 1/4" X 1-7/16" S/T Steel	2	
12		-	Coved Washer - 3/4"	2	
12		-	Washer 1/4" AN-960-416	2	
12		-	Anchor Logo	1	

18	CX/SC18 Front X Brace Assembly	5	CX-18 Front X Brace Assembly	1	992007
18	CX/SC18 Front Leg - Std LH	1	CX-18 Front Leg Welded Assembly LH	1	992053
18		3	Double Sided Tape 3/4" x 36	1	
18		-	CX-18 Neoprene Armrest 5" X 1" ID.	1	
18		-	Washer 1/4" AN-960-416	1	
18		-	Locknut 1/4"-28 Capped Nylon	1	
18		-	Bolt 1/4"-28 x 1-3/4" Socket Button Hd Alloy	1	
18		12	Flanged Bearing 1/2" shielded Greased	1	
18		13	Caster Stem Bushing	1	
18		14	Tube Connector 1" Heavy Duty	2	
18		CX/SC18 Front Leg - Std RH	2	CX-18 Front Leg Welded Assembly RH	
18	-		CX-18 Neoprene Armrest 5" X 1" ID.	1	
18	-		Flanged Bearing 1/2" shielded Greased	1	
18	-		Caster Stem Bushing	1	
18	-		Tube Connector 1" Heavy Duty	2	
18	-		Double Sided Tape 3/4" x 36	1	
18	-		Washer 1/4" AN-960-416	1	
18	-		Locknut 1/4"-28 Capped Nylon	1	
18	-		Bolt 1/4"-28 x 1-3/4" Socket Button Hd Alloy	1	
All Size	Footplate Adj Tube - LH		18	Footplate Adjustment Tube LH	1
All Size	Footplate Adj Tube - RH	19	Footplate Adjustment Tube RH	1	992678
All Size	Armrest Foam For CX - PAIR	4	Foam Armrest 5" x 3/4"	2	994702
18	Tube Connector 1" Heavy Duty	14	Tube Connector 1" Heavy Duty	1	995611
All Size	Stem Bushing	13	Caster Stem Bushing	1	995620
All Size	Standard Footplate Assembly Kit LH	15	Footrest Extens. Housing Assy.	1	996110
All Size		-	Footrest Assembly - Standard LHS	1	
All Size		-	Tube Connector 7/8" Heavy Duty	1	
All Size		-	Thread Locker-Medium-Vibra-tite	1	
All Size		16	Screw 1/4"-20 X 1-1/2"Flat Skt-blk zinc	2	
All Size		17	Detent Pin With Webbing Assembly	1	
All Size		18	Footplate Adjustment Tube LH	1	
All Size	Standard Footplate Assembly Kit RH	19	Footplate Adjustment Tube RH	1	996111
All Size		-	Footrest Assembly - Standard RHS	1	
All Size		-	Footrest Extens. Housing Assy.	1	
All Size		-	Tube Connector 7/8" Heavy Duty	1	
All Size		-	Screw 1/4"-20 X 1-1/2"Flat Skt-blk zinc	2	

All Size	-	Thread Locker-Medium-Vibra-tite	1
All Size	-	Detent Pin With Webbing Assembly	1



Page 5: Rear Assembly

SIZE	KIT NAME	ITEM NO.	DESCRIPTION	QTY	KIT
14	CX/ME/SC14 Rear X Brace Assembly	7	CX-14 Rear X Brace Assembly	1	990208
14	CX/ME/SC14 Rear Lock Brace Assembly	4	CX-14 Rear Lock Brace Assy.	1	990209
14	CX14 Rear Leg Assembly - Std LH	1	CX-14 Seat Tube Welded Assembly	1	990268
16	CX/ME/SC16 Rear X Brace Assembly	7	CX-16 Rear X Brace Assembly	1	990308
16	CX/ME/SC16 & PR14 Rear Lock Brace Assembly	4	CX-16 Rear Lock Brace Assly	1	990309
16	CX16 Telescoping Tube - pair	17	Telescoping Tube 7/8"	2	990341
10	CX10 Rear Lock Brace Assembly	4	CX-10 Rear Lock Brace Assembly	1	991309
12	CX/ME/SC12 Rear X Brace Assembly	7	CX-12 Rear X Brace Assembly	1	991608
12	CX/ME/SC12 Rear Lock Brace Assembly	4	ME-12 Rear Lock Brace Assembly	1	991609
10, 12, 14	CX12 Telescoping Tube - Pair	17	Telescoping Tube 3/4"	2	991641
18	CX/SC18 Rear X Brace Assembly	7	CX-18 Rear X Brace Assembly	1	992008

18	CX/ME/SC18 & PR16 Rear Lock Brace Assembly	4	CX-18 Rear Lock Assembly	1	992009
18		-	Nylon Washer 1/4" X 1/2"	4	
18		-	Bolt 1/4"-28 X 2" Hex Head	2	
18		9	Washer 1/4" AN-960-416	4	
18		10	Nylon Washer 1/4" X 11/16"	4	
18		15	Locknut 1/4"-28 Flexlock Black Zinc	2	
18	CX18 Telescoping Tube - pair	17	CX-18 Telescoping Tube	2	992041
18	Brake Assembly Long - LH	11	Hand Toggle Brake Assy Long LH	1	992685
18	Brake Assembly Long - RH	12	Hand Toggle Brake Assy Long RH	1	992686
14, 16	VV Seat Extension Tube - pair	2	VV-12 Seat Tube Extension Assy	2	994023
10, 12	CX10, CX/CC/CL/CS12, EZ/CV18 Seat Ext Assembly	2	CX-10/12 Seat Extension Tube Assy Short	1	994777
18	CX/SC/CC/CL/CS18 Seat Ext Assy Short	2	CX-18 Seat Tube Extension Assembly	1	994781
10, 12, 14	CX-10/12/14 Strap Bracket Replacement Kit	16	Bolt 1/4"-28 x 2-1/4" Socket Button Hd Alloy	1	997269
10, 12, 14		18	Footstrap Bracket	1	
10, 12, 14		-	Coved Washer - 3/4"	2	
10, 12, 14		-	Washer 1/4" AN-960-416	3	
10, 12, 14		20	Locknut 1/4"-28 Jam Flexlock Black Zinc	1	
10, 12, 14, 16	R82 Brake Assembly (LH)	11	R82 Brake Assembly LH	1	997308
10, 12, 14, 16		14	Split Lock Washer 1/4" ID	2	
10, 12, 14, 16		26	Bolt 1/4"-20 X 1/2" Socket Button Head	2	
10, 12, 14, 16	R82 Brake Assembly (RH)	12	R82 Brake Assembly RH	1	997309
10, 12, 14, 16		-	Split Lock Washer 1/4" ID	2	
10, 12, 14, 16		-	Bolt 1/4"-20 X 1/2" Socket Button Head	2	
10, 12, 14, 16	R82 Brake Replacement Kit (CX10- 12 ME12)	9	Washer 1/4" AN-960-416	4	997310
10, 12, 14, 16		10	Nylon Washer 1/4" X 11/16"	4	
10, 12, 14, 16		11	R82 Brake Assembly LH	1	
10, 12, 14, 16		12	R82 Brake Assembly RH	1	
10, 12, 14, 16		13	Coved Washer - 3/4"	4	
10, 12, 14, 16		14	Split Lock Washer 1/4" ID	4	
10, 12, 14, 16		15	Locknut 1/4"-28 Flexlock Black Zinc	4	
10, 12, 14, 16		22	Washer 7/16" AN-960-716	12	
10, 12, 14, 16		23	Rear Axle	2	
10, 12, 14, 16		24	Locknut 7/16"-20 Nylon Insert Black Zinc	2	
10, 12, 14, 16		25	R82 Brake Bracket	4	
10, 12, 14, 16		26	Bolt 1/4"-20 X 1/2" Socket Button Head	4	
10, 12, 14, 16		-	Bolt 1/4"-28 x 1-3/4" Socket Button Hd Alloy	4	

10, 12, 14, 16

28

Nylon Washer 1/4" X 3/4" X 1/8"

4
