

# cheetah

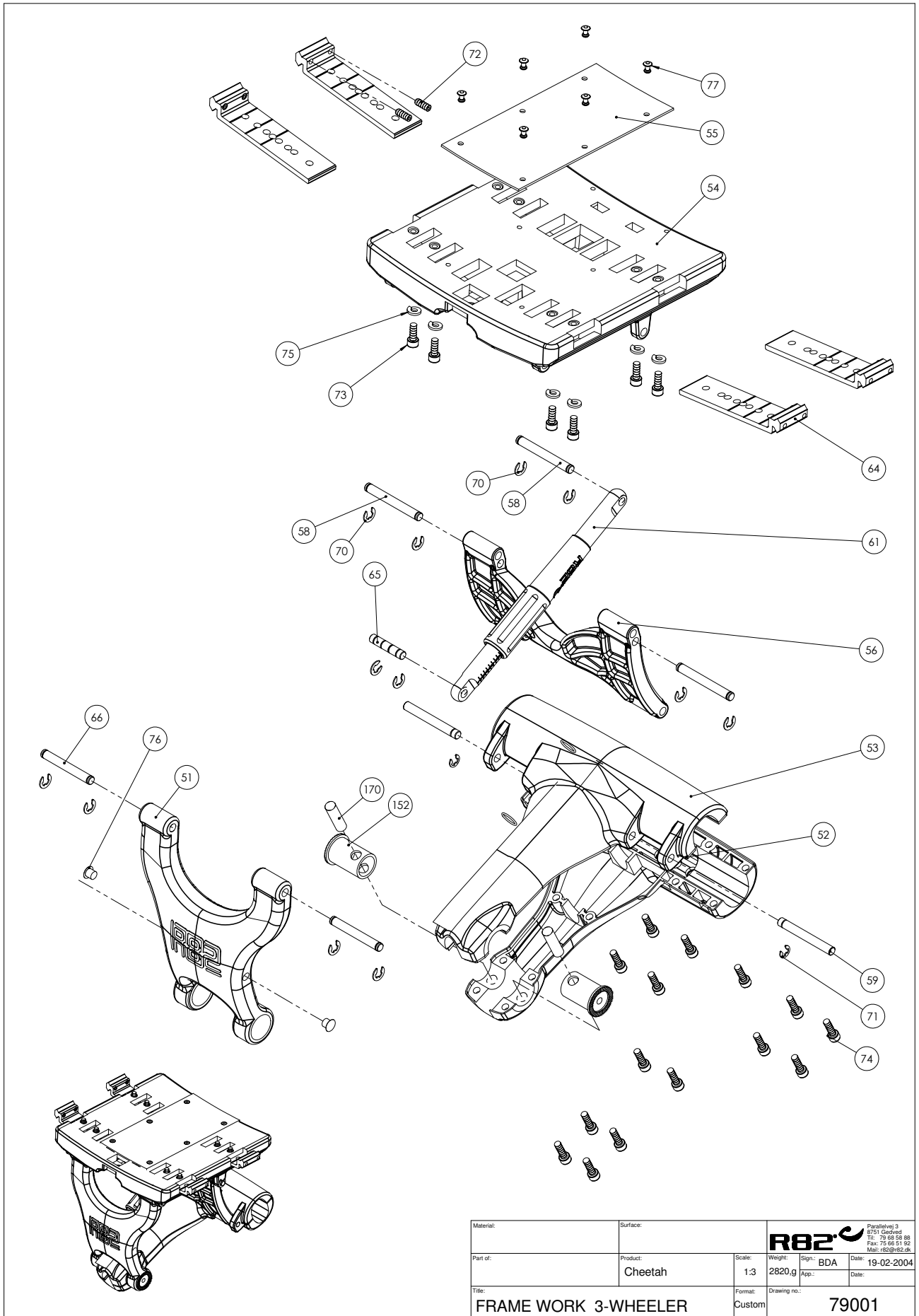
Exploded views / Part lists

Rev. date (03.2009)

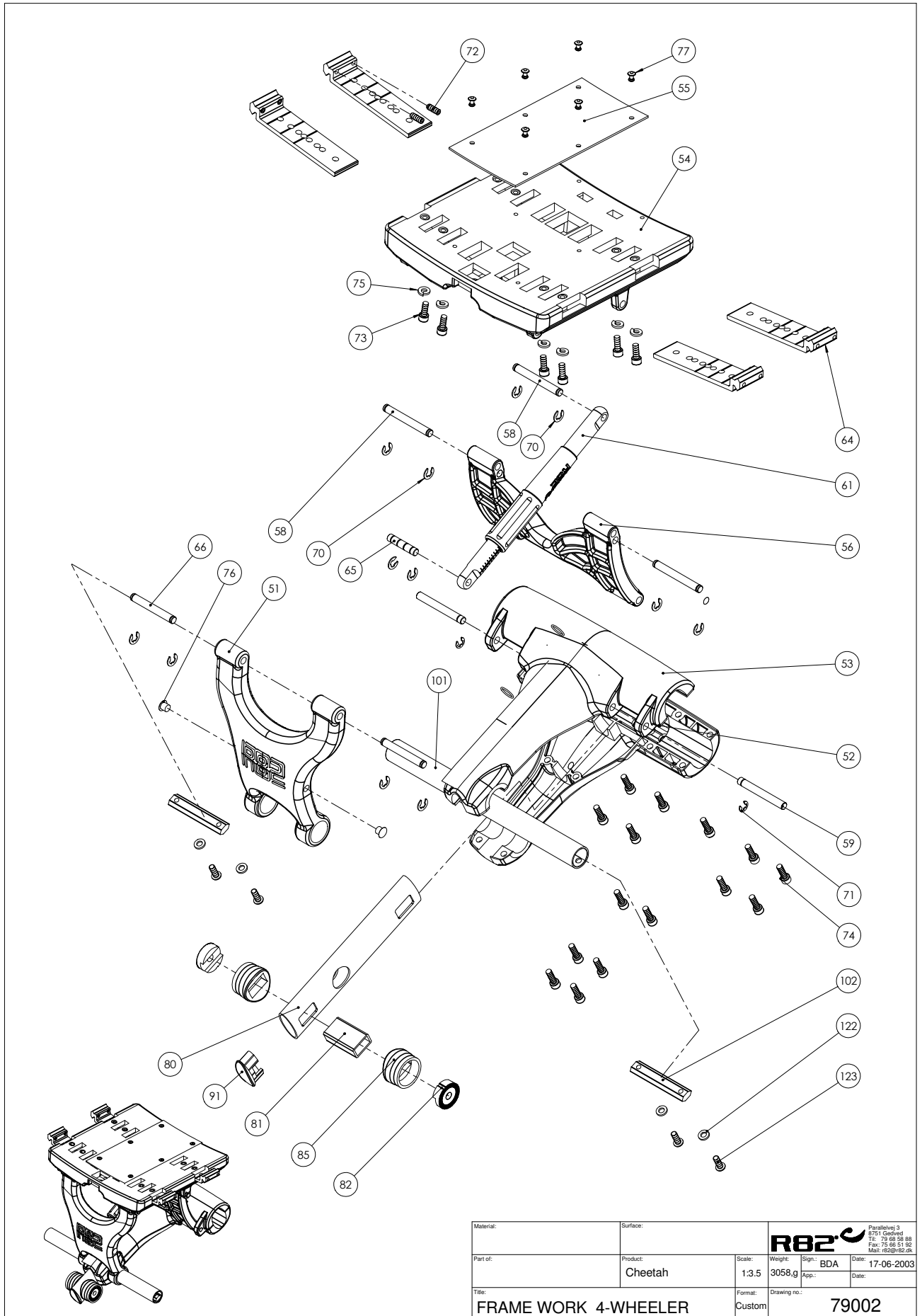


## Contents

Framework 3-wheeler .....	3
Framework 4-wheeler .....	5
Seat unit .....	7
3-wheeler .....	9
4-wheeler .....	12
Footrests.....	15
Anti tip device.....	17
Accessories .....	19
Tray.....	21
Armrests, left .....	23
Armrests, right .....	25
Sideplates .....	27

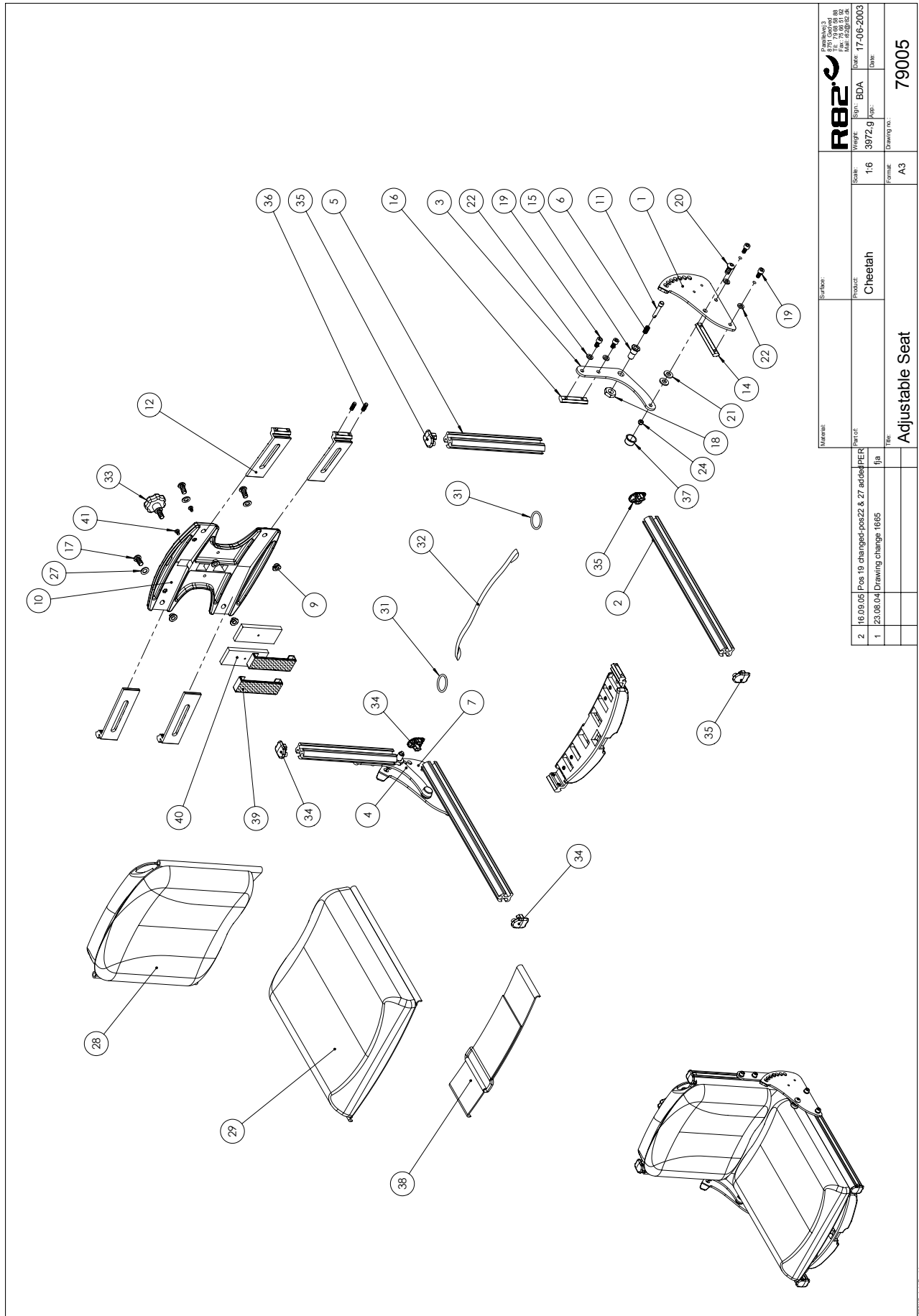


Position	No.	Description	Quantity	Unit of Measure	Ean code
51	74026	CARRY BRACKET FOR FRONT	1	PCS	5707292373519
52	74025	FRAMEWORK BOTTOM ACTIV KØREST.	1	PCS	5707292361837
53	74024	FRAMEWORK TOP ACTIV KØRESTOL	1	PCS	5707292361820
54	74027	BASIS PLATE FOR CHEETAH	1	PCS	5707292373526
55	4935400	100 MM APLIX,BLACK,HOOK W/TAPE	0,2	METER	5707292409621
56	74033	SWINGARM ACTIVE WHEELCHAIR	1	PCS	5707292373540
58	80925	8*62 SPEC. LOCKING PIN,CHEETAH	3	PCS	5707292374776
59	74067	BACK ARM PIN	2	PCS	5707292373830
61	74511	SPINDLE FOR SEAT TILT, CHEETAH	1	PCS	5707292377913
64	74157	SEAT EXTENSION ACT. WHEELCHAIR	4	PCS	5707292374431
65	80924	Ø8*40 SPEC LOCKING PIN,WOMBAT	1	PCS	5707292111401
66	80922	LOCKING PIN, WOMBAT	2	PCS	5707292111388
70	1145070	LOCK WASHER 7MM	12	PCS	5707292140586
71	1145060	LOCKING WASHER, AXLE STAINLESS	2	PCS	5707292375056
72	0700116	STOP SCREW M6*16 WITH FLAT END	8	PCS	5707292404565
73	0602205	STAINLESS INSEX M6*16	8	PCS	5707292404732
74	0609827	STAINLESS INSEX M6*20	15	PCS	5707292375049
75	1100490	SPRING WASHER M6 STAINLESS	8	PCS	5707292411297
76	1310534	COVER BUTTON, BLACK 8,5*12*8MM	2	PCS	5707292375070
77	0506511	STAINLESS RIVET 4*7 MM	6	PCS	5707292351647
152	74064	TOOTHED BUSH 30	2	PCS	5707292377975
170	74076	PIN FOR FOOT SUPPORT,3-WHEELER	2	PCS	5707292385208



Material:	Surface:	Parcelvej 3 8751 Gedved Tlf: 75 68 51 88 Fax: 75 68 51 92 Mail: r82@r82.dk			
Part of:	Product: Cheetah	Scale: 1:3.5	Weight: 3058,g	Sign: BDA	Date: 17-06-2003
Title: FRAME WORK 4-WHEELER	Format: Custom	Drawing no.:	79002		

Position	No.	Description	Quantity	Unit of Measure	Ean code
51	74026	CARRY BRACKET FOR FRONT	1	PCS	5707292373519
52	74025	FRAMEWORK BOTTOM ACTIV KØREST.	1	PCS	5707292361837
53	74024	FRAMEWORK TOP ACTIV KØRESTOL	1	PCS	5707292361820
54	74027	BASIS PLATE FOR CHEETAH	1	PCS	5707292373526
55	4935400	100 MM APLIX,BLACK,HOOK W/TAPE	0,2	METER	5707292409621
56	74033	SWINGARM ACTIVE WHEELCHAIR	1	PCS	5707292373540
58	80925	8*62 SPEC. LOCKING PIN,CHEETAH	3	PCS	5707292374776
59	74067	BACK ARM PIN	2	PCS	5707292373830
61	74511	SPINDLE FOR SEAT TILT, CHEETAH	1	PCS	5707292377913
64	74157	SEAT EXTENSION ACT. WHEELCHAIR	4	PCS	5707292374431
65	80924	Ø8*40 SPEC LOCKING PIN,WOMBAT	1	PCS	5707292111401
66	80922	LOCKING PIN, WOMBAT	2	PCS	5707292111388
70	1145070	LOCK WASHER 7MM	12	PCS	5707292140586
71	1145060	LOCKING WASHER, AXLE STAINLESS	2	PCS	5707292375056
72	0806016	STAINLESS STOP SCREW M6*16	8	PCS	5707292377920
73	0602205	STAINLESS INSEX M6*16	8	PCS	5707292404732
74	0609827	STAINLESS INSEX M6*20	15	PCS	5707292375049
75	1100490	SPRING WASHER M6 STAINLESS	8	PCS	5707292411297
76	1310534	COVER BUTTON, BLACK 8,5*12*8MM	2	PCS	5707292375070
77	0506511	STAINLESS RIVET 4*7 MM	6	PCS	5707292351647
80	74119	CENTERSTAMME 20/45 F. FODPLADE	1	PCS	5707292409294
81	74054	AFSTANDSSTYKE 15x25x44,5	1	PCS	5707292417428
82	74061	TOOTH WASHER Ø30	2	PCS	5707292373816
85	74058	SADDEL WASHER	2	PCS	5707292373786
91	74056	STOPPER E41*16	1	PCS	5707292373762
101	74092	CONNECTION PIPE	1	PCS	5707292374080
102	74155	V-TRACK 78MM	2	PCS	5707292374417
122	1100490	SPRING WASHER M6 STAINLESS	4	PCS	5707292411297
123	0609744	STAINLESS INSEX 6*14 CH.	4	PCS	5707292418234

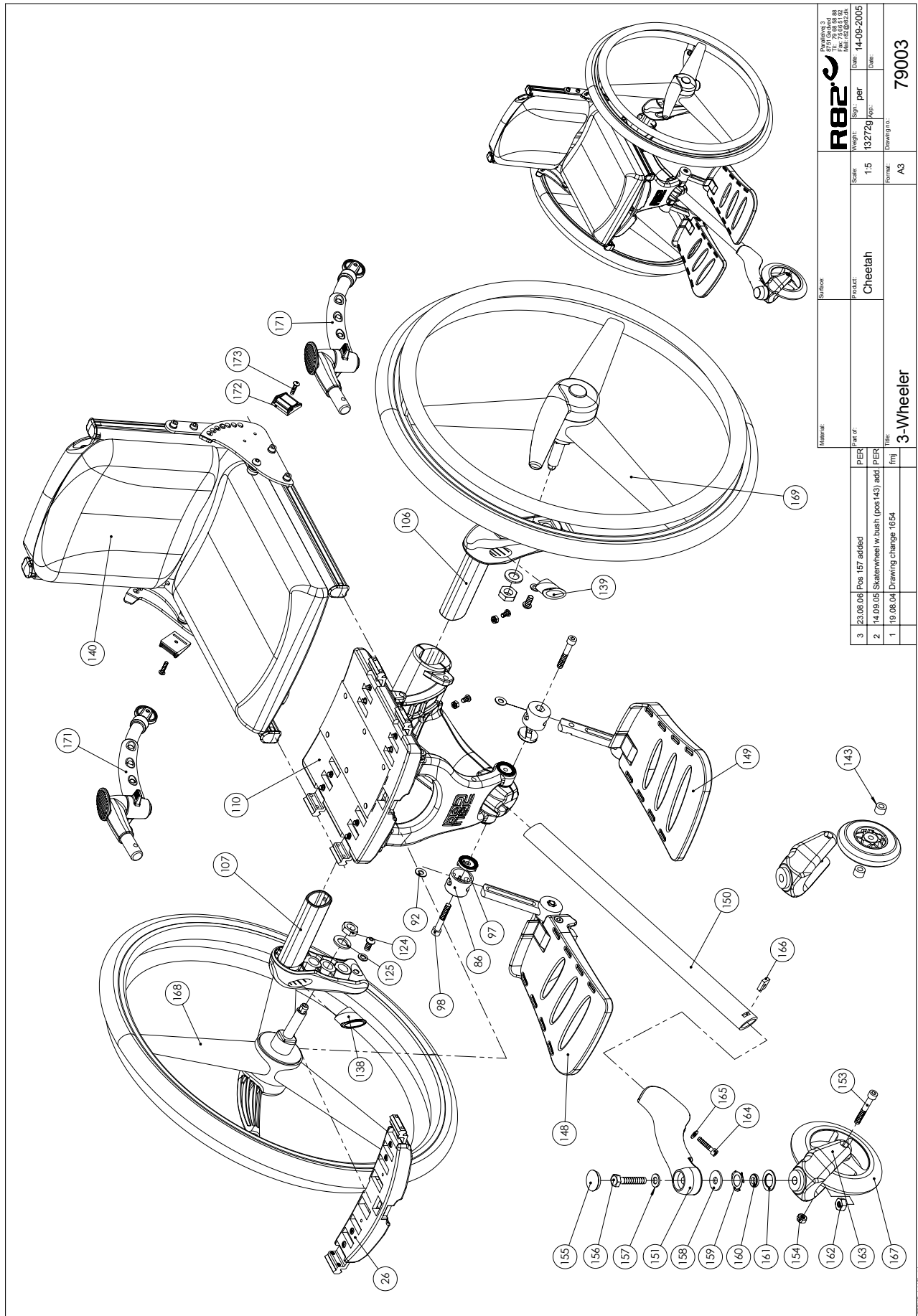



Parallelvej 3 Tlf: +45 79 68 58 88 Fax: +45 75 66 51 92 E-mail: r82@r82.dk Web: www.r82.com		<b>R82</b> BDA Date: 17.06.2003 Date:	
Part of:	Scale: 1:6	Weight: 3872 g	Part no.: 79005
Product: Cheetah	Format: A3	Drawing no.:	Drawing no.: 79005
Part of:	Title:	Part of:	Title:
2 16.09.05 Pos 19 changed pos22 & 27 added PER	1 23.08.04 Drawing change 1685	1 23.08.04 Drawing change 1685	1 23.08.04 Drawing change 1685
<b>Adjustable Seat</b>			

Position	No.	Description	Quantity	Unit of Measure	Ean code
1	74161	SIDEPLATE LEFT	1	PCS	5707292374462
2*	74149	PROFILE FOR SEAT SIZE 1	2	PCS	5707292374356
	74150	PROFILE FOR SEAT SIZE 2	2	PCS	5707292374363
	74151	PROFILE FOR SEAT SIZE 3	2	PCS	5707292374370
	74152	PROFILE FOR SEAT SIZE 4	2	PCS	5707292374387
3	74163	BACK MOUNTING FOR LEFT SIDE	2	PCS	5707292374486
4	74162	BACK MOUNTING FOR RIGHT SIDE	2	PCS	5707292374479
5*	74147	PROFILE FOR BACK SIZE 1+2	2	PCS	5707292374332
	74148	PROFILE FOR BACK SIZE 3+4	2	PCS	5707292374349
6	0310100	PRESSURESPRING 25 MM F.SPINDEL	2	PCS	5707292135513
7	74160	SIDEPLADE HØJRE	1	PCS	5707292374455
9	6118910	BOLT M8	4	PCS	5707292186782
10	74030	ACTIV BACK FOR CHEETAH	1	PCS	5707292373533
11	70848	PIN FOR BACK RECLINING	2	PCS	5707292103192
12	74158	EXTENSION PIECE FOR BACK	4	PCS	5707292374448
14	74155	V-TRACK 78MM	2	PCS	5707292374417
15	70847	BUSH FOR BACK TIGER2000	2	PCS	5707292103185
16	74156	V-TRACK 55MM	2	PCS	5707292374424
17	0661500	BUTTON HEAD SCREW 8*16 STAINL.	4	PCS	5707292139559
18	1761200	VERSUS NUT 12*1, FINE THREADED	2	PCS	5707292141545
19	0602195	INSEX M6*12 RUSTFRI	8	PCS	5707292404701
20	0662000	BUTTON HEAD SCREW 8*20 STAINL.	2	PCS	5707292139573
21	1310610	NYLON SKIVE DIN 125A, M8	4	PCS	5707292374684
22	1202000	NORD-LOCK WASHER Ø 6 MM	4	SET	5707292140630
24	1607000	LOCK NUT 8MM, LARGE PACK	2	PCS	5707292141378
27	1102000	PLANING WASHER 8MM	4	PCS	5707292140227
28*	900300-1XX	BACKCUSHION 28 CM	1	PCS	
	900300-2XX	BACKCUSHION 32 CM	1	PCS	
	900300-3XX	BACKCUSHION 36 CM	1	PCS	
	900300-4XX	BACKCUSHION 40 CM	1	PCS	
29*	900100-1XX	SEATCUSHION 28 CM	1	PCS	
	900100-2XX	SEATCUSHION 32 CM	1	PCS	
	900100-3XX	SEATCUSHION 36 CM	1	PCS	
	900100-4XX	SEATCUSHION 40 CM	1	PCS	
31	0216000	RING F.CONNECTINGLINK 20*1,5MM	2	PCS	5707292135230
32	5550116	PP ADJUSTABLE STRAP, BLACK	1	PCS	5707292374714
33	3501000	STAR GRAP Ø40 M8X15MM BLACK	1	PCS	5707292146700
34	74042	PROP FOR ALU-PROFIL AKTIV STOL	3	PCS	5707292377210
35	74043	PLUG FOR ALU-PROFIL	3	PCS	5707292377227
36	0700114	SET SCREW M6*14 M. FLAT END	8	PCS	5707292405173
37	2501406	MØTRIKBESKYTTER SORT F/M8 MØT.	2	PCS	5707292375919
38*	900161-1	SEAT WEBBING, 28-32 CM	1	PCS	5707292385055
	900161-2	SEAT WEBBING, 36-40 CM	1	PCS	5707292385062
39	4913034	APLIX 30 MM, HOOK BLACK W/TAPE	0,46	METER	5707292151858
40	74029	CHOCK FOR CHEETAH BACK	2	PCS	5707292394637
41	1940035	ECO-SYN Z M4*12 STAINLESS	2	PCS	5707292394576

*		CHOOSE SIZE
	XX	CHOOSE COLOUR CODE: 12: BLACK/GREY, 13: BLACK/BLACK, 14: BLACK/RED, 15: BLACK/BLUE



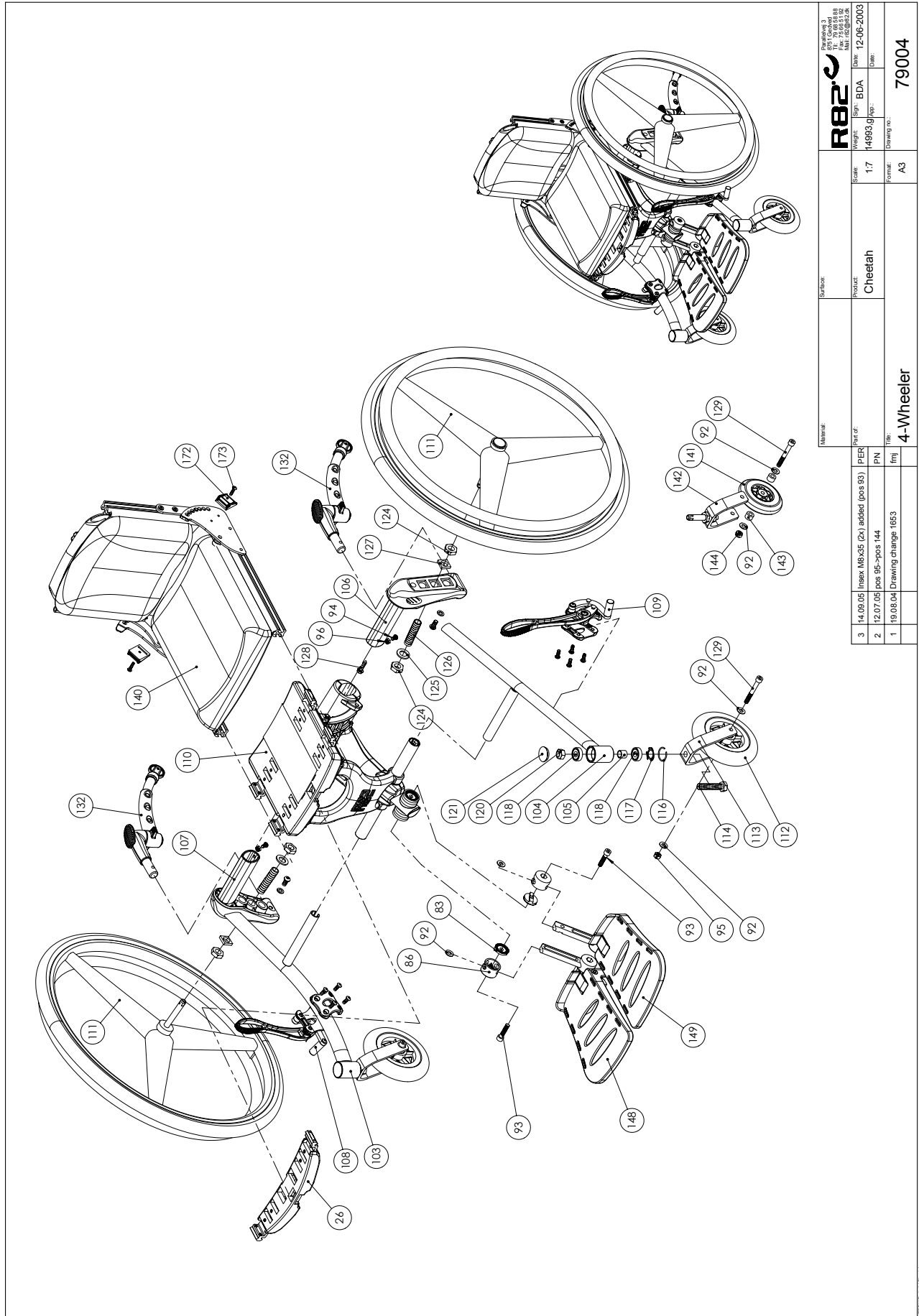



Material:		R82 	
Part no.:		79003	
Product:		Cheetah	
Scale:		1:5	
Weight:		13272g	
Date:		14-09-2005	
Title:		3-Wheeler	
Drawing no.:		79003	
Version:		PER	
Date:		14.09.05	
Description:		Skatewheeler w. bush (pos 143) add. PER	
Drawing change:		1654	
Drawing no.:		1654	

Position	No.	Description	Quantity	Unit of Measure	Ean code
26	900160	SEATEXTENSION FOR 28+32+36+40	1	PCS	5707292379818
86	74050	COVERING CAP, THROUGH, ACTIVE	2	PCS	5707292373724
92	1102000	PLANING WASHER 8MM	2	PCS	5707292140227
97	74063	TOOTHED DISK O30*9	2	PCS	5707292377968
98	0603000	INSEX SCREW 8*35	2	PCS	5707292138217
106	74021	WHEEL SUSPENSION LEFT	1	PCS	5707292373496
107	74022	WHEEL SUSPENSION RIGHT	1	PCS	5707292373502
110	74509	FRAMEWORK CHEETAH 3 HJUL	1	PCS	5707292385116
138	74037	STOPPER E35*18, ACTIVE CHAIR	1	PCS	5707292373632
139	74038	STOPPER E35*18 ACTIVE CHAIR	1	PCS	5707292373649
140*	74500	ADJUSTABLE SEAT, CHEETAH SZ. 1	1	PCS	5707292377791
	74501	ADJUSTABLE SEAT, CHEETAH SZ. 2	1	PCS	5707292377807
	74502	ADJUSTABLE SEAT, CHEETAH SZ. 3	1	PCS	5707292377814
	74503	ADJUSTABLE SEAT, CHEETAH SZ. 4	1	PCS	5707292377821
143	82753	DISTANCE PART FOR 4" WHEEL	2	PCS	5707292399960
148*	74516	FOOTREST CHEETAH,RIGHT SHORT	1	PCS	5707292377999
	74518	FOOTREST 3-4 WHEEL,RIGHT LONG	1	PCS	5707292381842
149*	74517	FOOTREST CHEETAH, LEFT SHORT	1	PCS	5707292378583
	74519	FOOTREST 3-4 WHEEL, LEFT LONG	1	PCS	5707292381859
150*	74120-23	CENTRE BAR 20/45, BLUE	1	PCS	5707292382207
	74120-27	CENTRE BAR 20/45, RED	1	PCS	5707292382221
	74120-54	CENTRE BAR 20/45, SILVER	1	PCS	5707292381064
151	74020	FRONT CASTOR,ACTIVE WHEELCHAIR	1	PCS	5707292373489
153	0603600	INSEX SCREW 8*55	1	PCS	5707292138262
154	1607000	LOCK NUT 8MM, LARGE PACK	1	PCS	5707292141378
155	2985000	PRESSUREPLUG BLACK SOFT RUBBER	1	PCS	5707292145314
156	1902550	STAINLESS SET SCREW M10*50	1	PCS	5707292378576
157	1102005	FACEPLATE 10MM, FZB	1	PCS	5707292441232
158	1108050	WASHER M10, DIN9021	1	PCS	5707292140401
159	6108150	SPRING SCREW 29,57*17,48	1	PCS	5707292378200
160	74069	STOP WASHER 10,2*19,9*3,7	1	PCS	5707292377418
161	74066	END WASHER 20*31,7*1,7	1	PCS	5707292378323
162	1607500	LOCK NUT 10 MM	1	PCS	5707292141385
163	2965152	BLACK FRONTFORK 150 MM	1	PCS	5707292144928
164	0683300	INSEX M6*25, STAINLESS	1	PCS	5707292139689
165	1105060	STAINLESS WASHER 6MM	1	PCS	5707292140357
166	74090	MOUNTING FOR FRONTFORK	1	PCS	5707292374066
167*	900860	FRONTWHEEL 4", SOLID	1	PCS	5707292403490
	900865	FRONTWHEEL CHEETAH 150*30,AIR	1	PCS	5707292385444
	900870	FRONTWHEEL CHEETAH 150*30,SOLID	1	PCS	5707292385451
168/169*	900820-TBA	20" TRISTAR W/BRAKES,AIR, CLOSED HANDRIM	1	SET	5707292403629
	900822-TBA	22" TRISTAR W/BRAKES,AIR, CLOSED HANDRIM	1	SET	5707292403643
	900824-TBA	24" TRISTAR W/BRAKES,AIR, CLOSED HANDRIM	1	SET	5707292403674
	900820-TBS	20" TRISTAR W/BRAKES,SOL, CLOSED HANDRIM	1	SET	5707292403636
	900822-TBS	22" TRISTAR W/BRAKES,SOL, CLOSED HANDRIM	1	SET	5707292403650
	900824-TBS	24" TRISTAR W/BRAKES,SOL, CLOSED HANDRIM	1	SET	5707292403667
	900920-TBA	20" TRISTAR W/BRAKES,AIR	1	SET	5707292395658
	900922-TBA	22" TRISTAR W/BRAKES,AIR	1	SET	5707292395672
	900924-TBA	24" TRISTAR W/BRAKES,AIR	1	SET	5707292385475

	900920-TBS	20" TRISTAR W/BRAKES,SOLID	1	SET	5707292395665
	900922-TBS	22" TRISTAR W/BRAKES,SOLID	1	SET	5707292395689
	900924-TBS	24" TRISTAR W/BRAKES,SOLID	1	SET	5707292385499
171*	900953	ANTI-TIP CHEETAH, LONG	1	SET	5707292379658
	900954	ANTI-TIP CHEETAH, SHORT	1	SET	5707292396440
172	0445025	25MM PRESS BUCKLE, BLACK	2	PCS	5707292465160
173	0640906	BUTTON HEAD M5*6 FZB	2	PCS	5707292401908

*		CHOOSE SIZE			
---	--	-------------	--	--	--

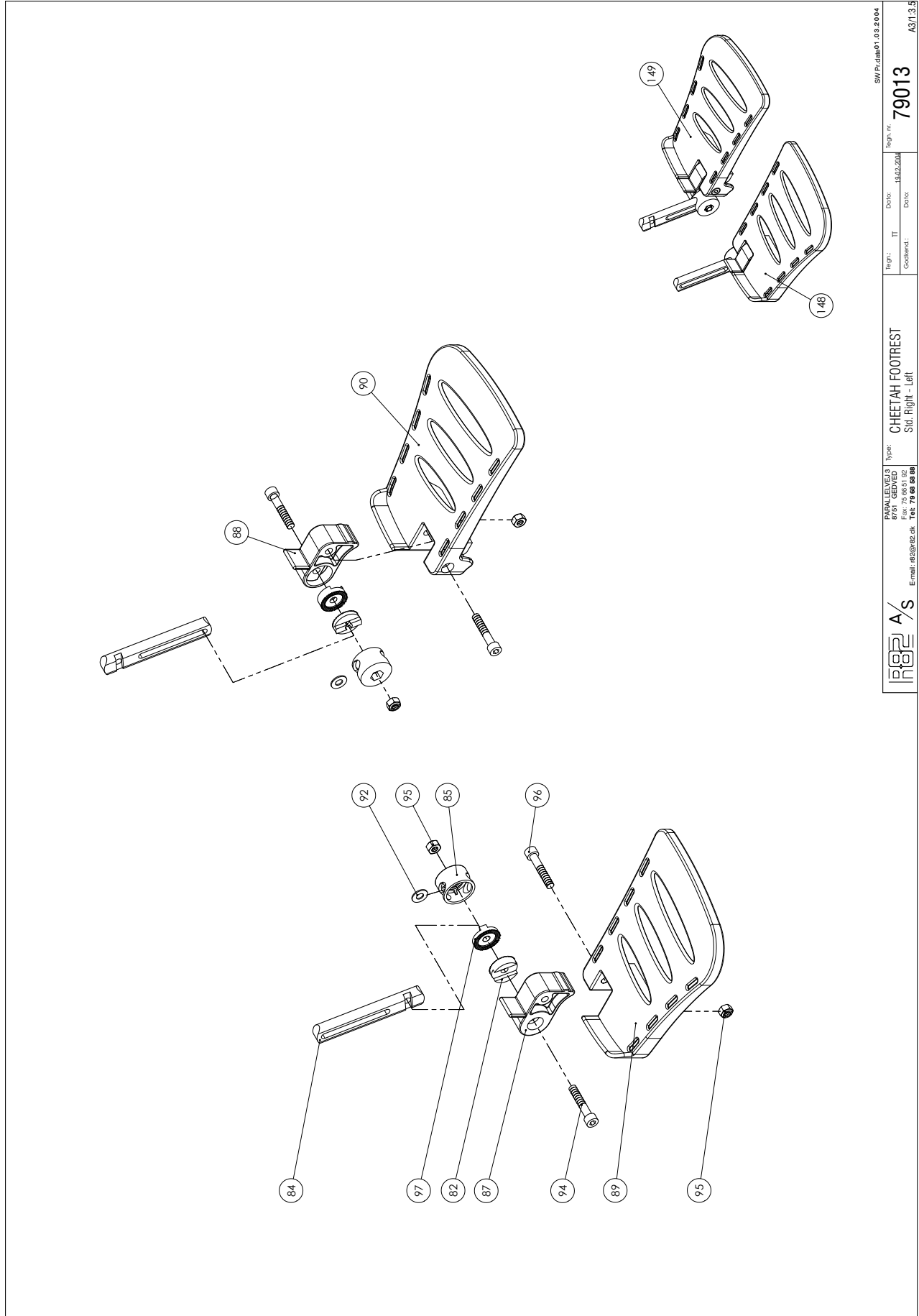


 Parallelvej 3 8751 Gedved Denmark Tel: +45 79 68 58 88 Fax: +45 75 66 51 92 E-mail: r82@r82.dk Web: www.r82.com		Part of: PER
Scale: 1:7	Product: Cheetah	Part of: PN
Weight: 14693 g (app.)	Date: 12-06-2003	Title: 4-Wheeler
Drawing no.: 79004	Format: A3	Drawing change: 1663

Position	No.	Description	Quantity	Unit of Measure	Ean code
26	900160	SEATEXTENSION FOR 28+32+36+40	1	PCS	5707292379818
83	74063	TOOTHED DISK O30*9	2	PCS	5707292377968
86	74051	COVERING CAP, THROUGH, SHORT	2	PCS	5707292373731
92	1102000	PLANING WASHER 8MM	6	PCS	5707292140227
93	0603000	INSEX SCREW 8*35	2	PCS	5707292138217
94	0659200	BUTTON HEAD SCREW 6*12 STAINL.	2	PCS	5707292139436
95	1607000	LOCK NUT 8MM, LARGE PACK	2	PCS	5707292141378
96	1631060	STAINLESS LOCK NUT 6MM	2	PCS	5707292141446
103*	74124-54	TWIN FRONTWHEELFR RIGHT,SILVER	1	PCS	5707292381095
	74124-25	TWIN FRONTWHEELFR RIGHT, GREEN	1	PCS	5707292382245
	74124-27	TWIN FRONTWHEELFR RIGHT, RED	1	PCS	5707292382245
	74124-23	TWIN FRONTWHEELFR RIGHT, BLUE	1	PCS	5707292382238
104*	74127-54	TWIN FRONTWHEELFR, LEFT,SILVER	1	PCS	5707292381101
	74127-25	TWIN FRONTWHEEL FRAME, LEFT, GREEN	1	PCS	5707292382276
	74127-27	TWIN FRONTWHEEL FRAME, LEFT, RED	1	PCS	5707292382276
	74127-23	BLÅ TWIN FRONTWHEELFRAME LEFT, BLUE	1	PCS	5707292382269
105	74065	DISTANCEBUSH Ø13x14 CHEETAH	2	PCS	5707292373823
106	74021	WHEEL SUSPENSION LEFT	1	PCS	5707292373496
107	74022	WHEEL SUSPENSION RIGHT	1	PCS	5707292373502
108	74521	RIGHT BRAKE F 4 WHEEL CHEETHA	1	PCS	5707292378040
109	74520	LEFT BRAKE FOR 4 WHEEL CHEETAH	1	PCS	5707292378002
110*	74510-K	FRAMEWORK CHEETAH 4 HJULET	1	PCS	5707292377906
	74510-L	FRAMEWORK CHEETAH 4 HJ. LANG	1	PCS	5707292395054
111	900820-TBA	20" TRISTAR W/BRAKE,AIR, CLOSED HANDRIM	1	SET	5707292403629
	900822-TBA	22" TRISTAR W/BRAKE,AIR, CLOSED HANDRIM	1	SET	5707292403643
	900824-TBA	24" TRISTAR W/BRAKE, AIR, CLOSED HANDRIM	1	SET	5707292403674
	900820-TBS	20" TRISTAR W/BRAKE, SOL, CLOSED HANDRIM	1	SET	5707292403636
	900822-TBS	22" TRISTAR W/BRAKE, SOL, CLOSED HANDRIM	1	SET	5707292403650
	900824-TBS	24" TRISTAR W/BRAKE, SOL, CLOSED HANDRIM	1	SET	5707292403667
	900920-TBA	20" DRIVING WHEEL, AIR, DRUMBR	1	SET	5707292395658
	900922-TBA	22" DRIVING WHEEL, AIR, DRUMBR	1	SET	5707292395672
	900924-TBA	24" DRIVING WHEEL, AIR, DRUMBR	1	SET	5707292385475
	900920-TBS	20" DRIVING WHEEL, SOLID, DRUMBR	1	SET	5707292395665
	900922-TBS	22" DRIVING WHEEL,SOLID,DRUMBR	1	SET	5707292395689
	900924-TBS	24" DRIVING WHEEL,SOLID,DRUMBR	1	SET	5707292385499
112	3007870	6" WHEEL FOR CHEETAH, FLEXEL	2	PCS	5707292378484
113	2965720	FRONT FORK WITH BOLT	2	PCS	5707292394323
116	1155000	SPRINGRING Ø 28 F. Ø30 HUL	2	PCS	5707292378194
117	6108150	SPRING SCREW 29,57*17,48	2	PCS	5707292378200
118	2985210	KUGLELEJE FOR CHEETHA	4	PCS	5707292379412
121	2985000	PRESSUREPLUG BLACK SOFT RUBBER	2	PCS	5707292145314
128	1811076	PLATESCREW 6,3*25 FZB	2	PCS	5707292378989
129	0603665	INSEX SCREW 8*65	2	PCS	5707292138286
132*	900953	ANTI-TIP CHEETAH, LONG	1	SET	5707292379658
	900954	ANTI-TIP CHEETAH, SHORT	1	SET	5707292396440
140*	74500	ADJUSTABLE SEAT, CHEETAH SZ. 1	1	PCS	5707292377791
	74503	ADJUSTABLE SEAT, CHEETAH SZ. 4	1	PCS	5707292377821
	74502	ADJUSTABLE SEAT, CHEETAH SZ. 3	1	PCS	5707292377814
	74501	ADJUSTABLE SEAT, CHEETAH SZ. 2	1	PCS	5707292377807

141	3030000	4" PU CASTED WHEEL	2	PCS	5707292395047
142*	2965600	FORGAFFEL M/QR, KORT	2	PCS	5707292377326
	2965710	FORGAFFEL M/QR, STR. 2	2	PCS	5707292394316
143*	82753	DISTANCE PART FOR 4" WHEEL	4	PCS	5707292399960
	82753	DISTANCE PART FOR 4" WHEEL	4	PCS	5707292399960
144	1607001	SELF-LOCKING NUT 8MM	2	PCS	5707292401281
148*	74516	FOOTREST CHEETAH,RIGHT SHORT	1	PCS	5707292377999
	74518	FOOTREST 3-4 WHEEL,RIGHT LONG	1	PCS	5707292381842
	74518	FOOTREST 3-4 WHEEL,RIGHT LONG	1	PCS	5707292381842
	74516	FOOTREST CHEETAH,RIGHT SHORT	1	PCS	5707292377999
149*	74517	FOOTREST CHEETAH, LEFT SHORT	1	PCS	5707292378583
	74519	FOOTREST 3-4 WHEEL, LEFT LONG	1	PCS	5707292381859
	74519	FOOTREST 3-4 WHEEL, LEFT LONG	1	PCS	5707292381859
	74517	FOOTREST CHEETAH, LEFT SHORT	1	PCS	5707292378583
172	0445025	25MM PRESS BUCKLE, BLACK	2	PCS	5707292465160
173	0640906	BUTTON HEAD M5*6 FZB	2	PCS	5707292401908

*		CHOOSE SIZE			
---	--	-------------	--	--	--

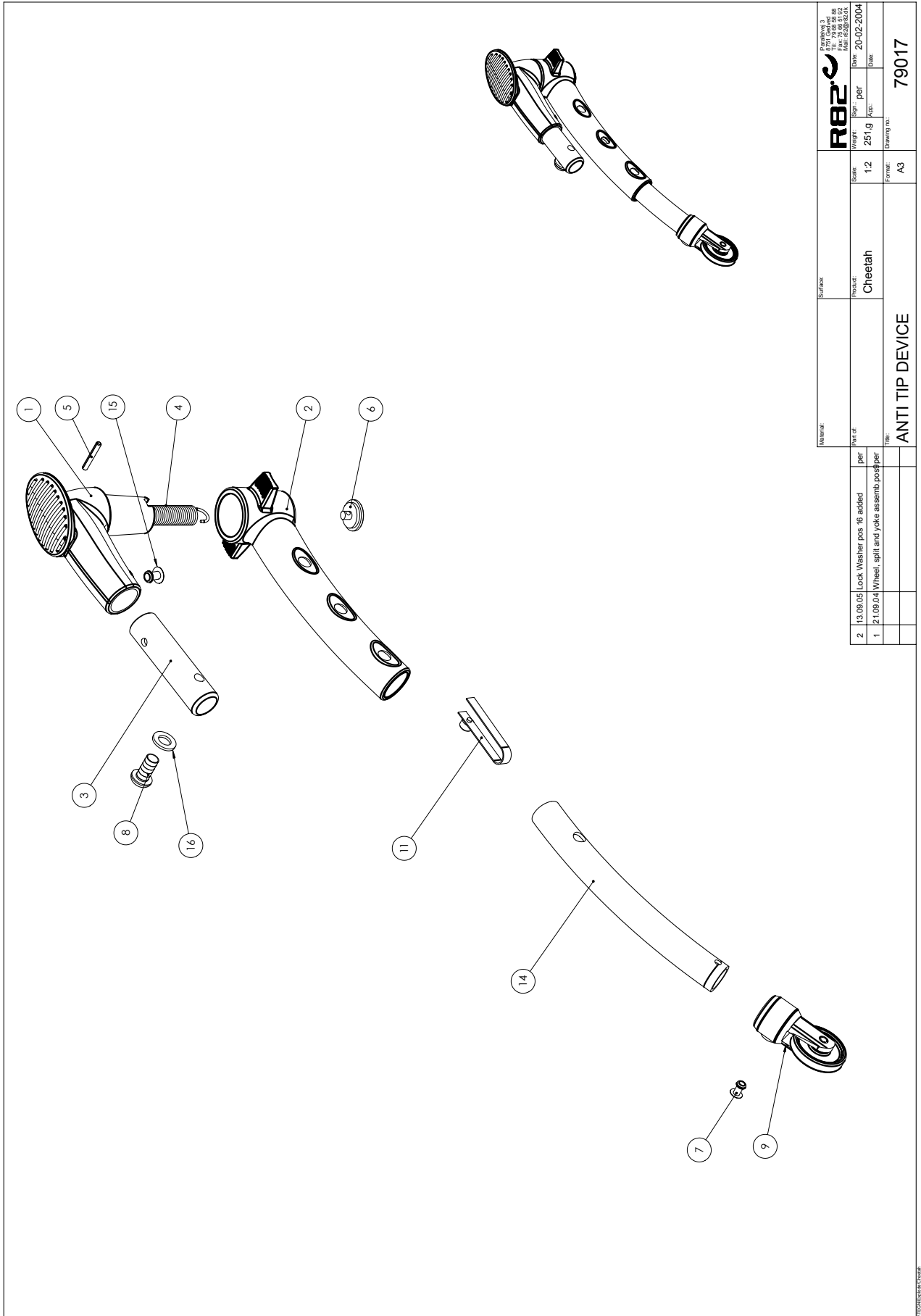


R82 A/S		R82 A/S R82 GEDVED Fax: 75 66 51 92 Tel: 79 68 88 88 Email: r82@r82.dk		Type: CHEETAH FOOTREST Skl.: Højtt. - Left		Region: IT Dato: 13.02.2014 Godkendt:		Reg. nr.: 79013 Skl. nr.: A3113.5	
---------	--	--	--	---	--	---	--	--------------------------------------	--

Position	No.	Description	Quantity	Unit of Measure	Ean code
82	74061	TOOTH WASHER Ø30	1	PCS	5707292373816
84*	74142	FOOTREST ROD, SHORT	1	PCS	5707292373021
	74143	FOOTREST ROD, LONG	1	PCS	5707292374264
85	74051	COVERING CAP, THROUGH, SHORT	1	PCS	5707292373731
87	74044	MOUNTING FOR FOOT PLATE, RIGHT	1	PCS	5707292373687
88	74045	MOUNTING FOR FOOT PLATE, LEFT	1	PCS	5707292373694
89	74052	FOOT PLATE 1, RIGHT	1	PCS	5707292373748
90	74053	FOOT PLATE 1, LEFT	1	PCS	5707292373755
92	1102000	PLANING WASHER 8MM	1	PCS	5707292140227
94	0603500	INSEX SCREW 8*45	1	PCS	5707292138231
95	1607000	LOCK NUT 8MM, LARGE PACK	2	PCS	5707292141378
96	0603700	INNSEX SCREW 8*70	1	PCS	5707292138293
97	74063	TOOTHED DISK O30*9	1	PCS	5707292377968
148*	74516	FOOTREST CHEETAH,RIGHT SHORT	1	PCS	5707292377999
	74518	FOOTREST 3-4 WHEEL,RIGHT LONG	1	PCS	5707292381842
149*	74517	FOOTREST CHEETAH, LEFT SHORT	1	PCS	5707292378583
	74519	FOOTREST 3-4 WHEEL, LEFT LONG	1	PCS	5707292381859

*		CHOOSE SIZE
---	--	-------------

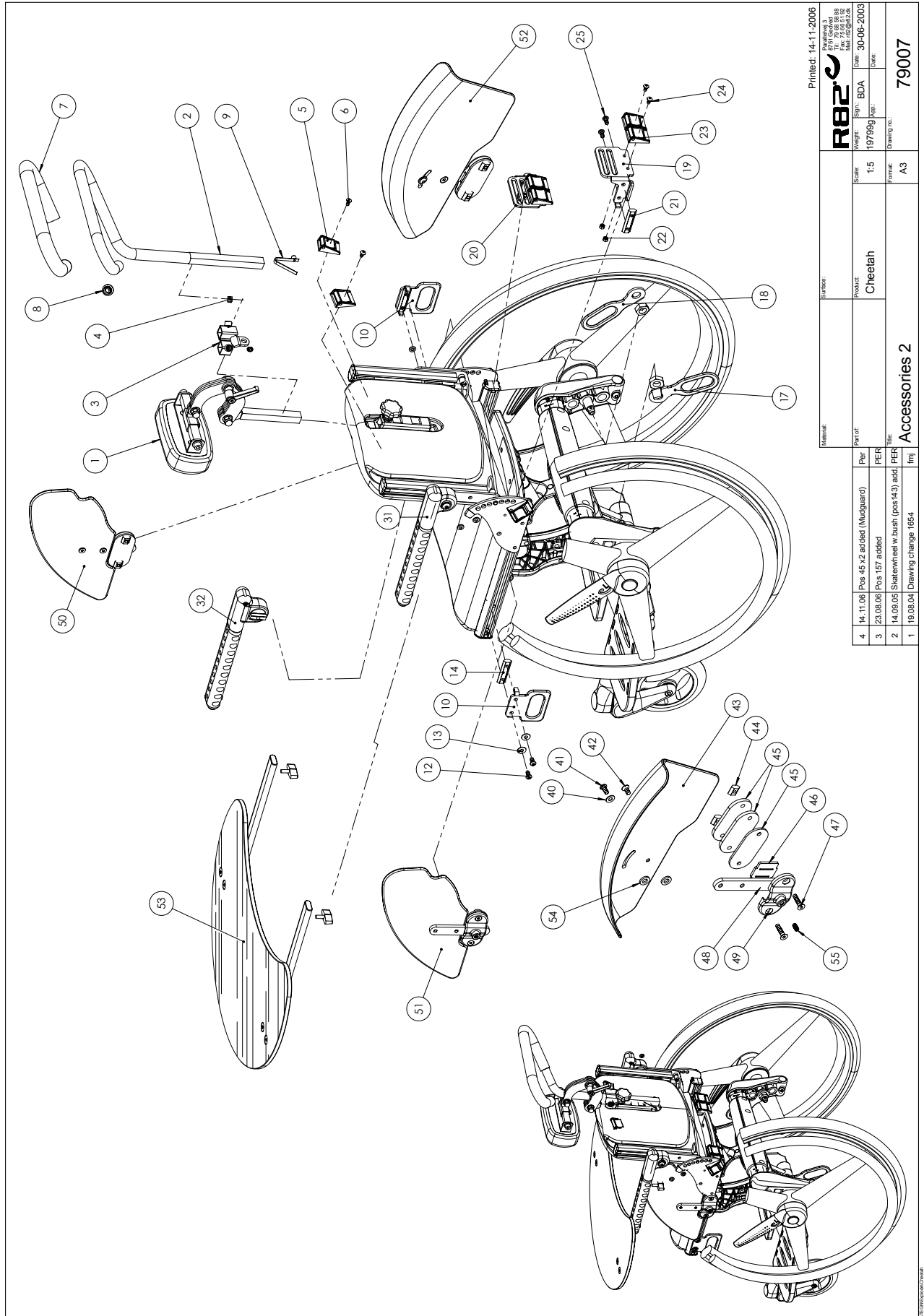





Material:		Surface:	
Part of:		Product:	
Lock Washer pos. 16 added		Cheetah	
2	13.09.05	Scale:	1:2
1	21.09.04	Weight:	251g
Wheel, split and yoke assemb. pos. per		Sign.:	per
		Date:	20-02-2004
		App.:	
		Form:	A3
		Draw. no.:	79017
ANTI TIP DEVICE			

Position	No.	Description	Quantity	Unit of Measure	Ean code
1	74006	UPPER PART, ANTI TIP,CHEETAH	2	PCS	5707292379993
2*	74007	LOWER PART, ANTI TIP, CHEETAH	2	PCS	5707292380005
	74128	SWIVEL JOINT - SHORT F/CHEETAH	2	PCS	5707292397430
3	74060	TAP FOR KIPSIKRING	2	PCS	5707292373809
4	0310520	TENSION SPRING 1,5X12X55,5IN	2	PCS	5707292406361
5	0532210	SPAN PIN 1481 3*22 STAINLESS	2	PCS	5707292423313
6	6109360	SPRINGHOLDER FOR TIP SAFETY	2	PCS	5707292186096
7	0506519	STAINLESS BLIND RIVET 4*12	1	PCS	5707292137388
8	0662000	BUTTON HEAD SCREW 8*20 STAINL.	2	PCS	5707292139573
9	72298	WHEELHOLDER FOR ANTITIP DEVICE	1	PCS	5707292399564
11	6153600	KNOB SPRING FOR TIGER FRAME	1	PCS	5707292188588
14*	74129	TUBE F. SWIVEL JOINT - SHORT	1	PCS	5707292396594
	74105	INTERNAL PIPE, ANIT TIP,CHEETAH	1	PCS	5707292378330
15	0506513	STAINLESS BLIND RIVET Ø4, 8*12	2	PCS	5707292137326
16	1100500	SPRING WASHER 8MM, STAINLESS	2	PCS	5707292140142

*		CHOOSE SIZE
---	--	-------------



Printed: 14-11-2006

Material:  R82

Part no.: BDA

Product: Cheetah

Weight: 1.5

Scale: 1:5

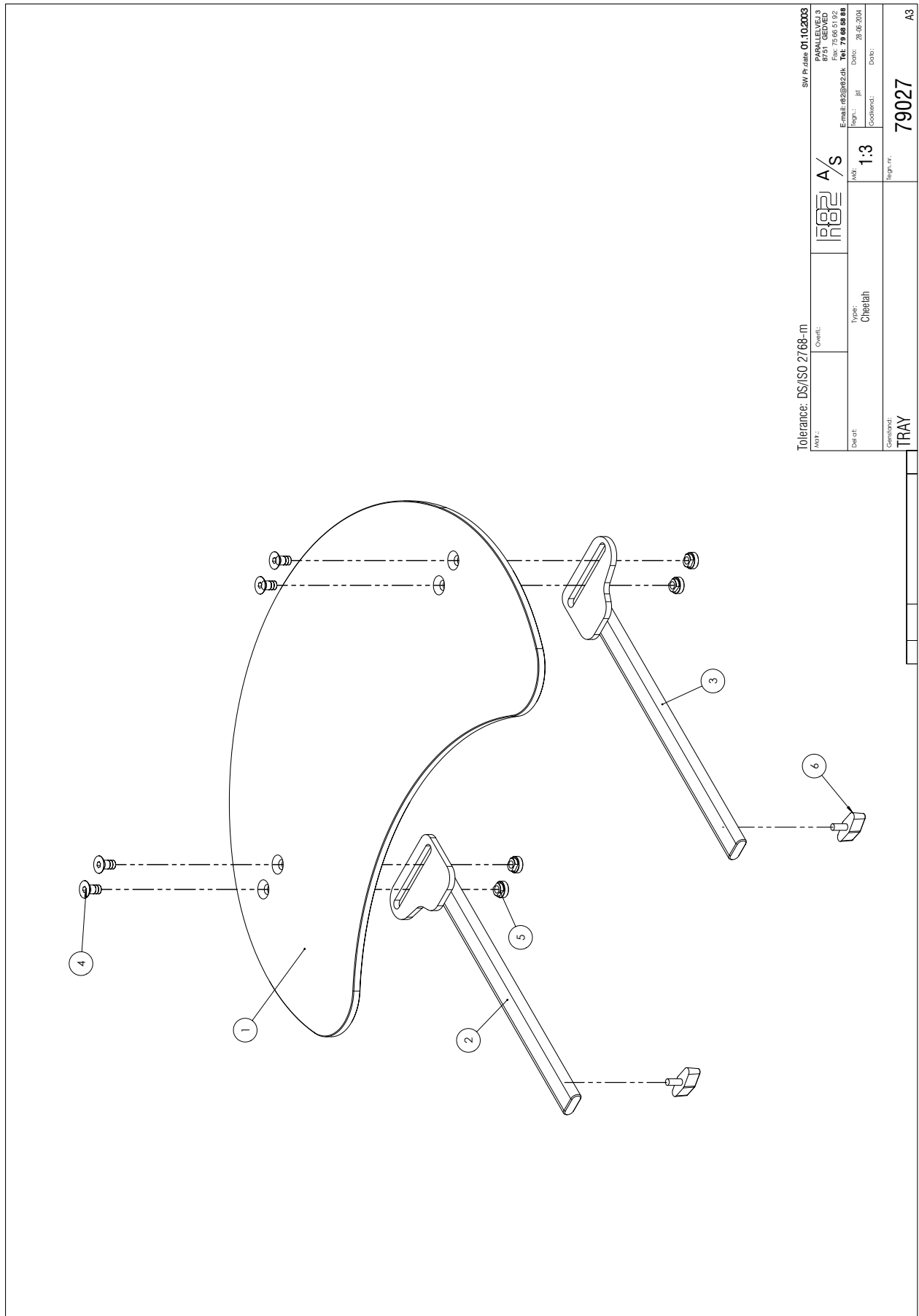
Form: A3

Drawing no.: 79007

Rev.	Date	Description	Per	Part of
4	14.11.06	Pos 45 x2 added (Mudguard)	PER	
3	23.08.06	Pos 157 added	PER	
2	14.09.05	Stelenwiel w. busk (pos 143) add.	PER	
1	19.08.04	Drawing change: 1854	fmj	

Position	No.	Description	Quantity	Unit of Measure	Ean code
1*	9920093-60	HEADREST NO. 8, BLACK, TURTLE, LONG	1	PCS	5707292423252
	9920092-60	HEADREST NO. 8, BLACK, TURTLE, SHORT	1	PCS	5707292354402
2	74103	LEDSAGERGREB CHEETAH	1	PCS	5707292380036
3	80999	EKSTRA HOLDER, CHEETAH	1	PCS	5707292379917
4	0701000	STOP SCREW WITH CRATER 8*10	2	PCS	5707292139870
5	0445025	25MM PRESS BUCKLE, BLACK	2	PCS	5707292465160
6	0640906	BUTTON HEAD M5*6 FZB	2	PCS	5707292401908
7	2500550	GRIP 700MM LENGTH FOR Ø20MM	1	PCS	5707292388520
8	2502500	FERRULE D20*1,0-2,0 INT.BLACK	1	PCS	5707292144027
9	6153600	KNOB SPRING FOR TIGER FRAME	1	PCS	5707292188588
10	74108	FASTSPÆNDINGSBESLAG	2	PCS	5707292377289
12	0659300	BUTTON HEAD M6*12 FZB, BLACK	4	PCS	5707292139443
13	1202000	NORD-LOCK WASHER Ø 6 MM	4	SET	5707292140630
14	74156	V-TRACK 55MM	2	PCS	5707292374424
17	74111	FASTSPÆNDINGSBESLAG VENSTRE	1	PCS	5707292374134
18	74112	FASTSPÆNDINGSBESLAG HØJRE	1	PCS	5707292374141
19	74109	SELEBESLAG VENSTRE	1	PCS	5707292374103
20	74110	SELEBESLAG HØJRE	1	PCS	5707292374127
21	74156	V-TRACK 55MM	2	PCS	5707292374424
22	1606300	LOCK NUT 5 MM	4	PCS	5707292141354
23	0445025	25MM PRESS BUCKLE, BLACK	2	PCS	5707292465160
24	0640910	BUTTON HEAD M5*10 FZB	4	PCS	5707292380142
25	0641200	BUTTON HEAD SCREW 6*12	4	PCS	5707292139252
31*	900600-1L	ARMREST SZ 1 FOR CHEETAH,LEFT	1	PCS	5707292396136
	900600-2L	ARMREST SZ 2 FOR CHEETAH,LEFT	1	PCS	5707292396150
32*	900600-1R	ARMREST SZ.1 FOR CHEETAH,RIGHT	1	PCS	5707292396143
	900600-2R	ARMREST SZ.2 FOR CHEETAH,RIGHT	1	PCS	5707292396167
40	1105060	STAINLESS WASHER 6MM	2	PCS	5707292140357
41	0659200	BUTTON HEAD SCREW 6*12 STAINL.	2	PCS	5707292139436
42	0609727	STAINLESS INSEX 6*12 UH	2	PCS	5707292138484
43	74089	SKÆRM FOR HJUL, VENSTRE	1	PCS	5707292428868
44	74153	V-SPORER 14mm M6	4	PCS	5707292374394
45	80572	MOUNTING 40*3*85	2	PCS	5707292111227
46	82408	UNDERLAYING PLATE, PVC ARMREST	2	PCS	5707292124043
47	0602210	M6*18 STAINLESS COUNTERSINKED	4	PCS	5707292418210
48	74169	BESLAG FOR SKÆRM	2	PCS	5707292429001
49	82403	PVC MOUNTING F/ARMREST, PANDA	2	PCS	5707292123992
50*	900723-1R	SIDEPLATES 1, CHEETAH, RIGHT	1	PCS	5707292396266
	900723-2R	SIDEPLATES 2, CHEETAH, RIGHT	1	PCS	5707292396280
51*	900723-1L	SIDEPLATES 1, CHEETAH, LEFT	1	PCS	5707292396259
	900723-2L	SIDEPLATES 2, CHEETAH, LEFT	1	PCS	5707292396273
52	74091	SKÆRM FOR HJUL, HØJRE	1	PCS	5707292428851
53	900240-1	TRAY TRANSPARENT, CHEETAH	1	PCS	5707292394101
54	1310600	NYLON WASHER DIN 125 6	4	PCS	5707292140739
55	0700114	SET SCREW M6*14 M. FLAT END	2	PCS	5707292405173

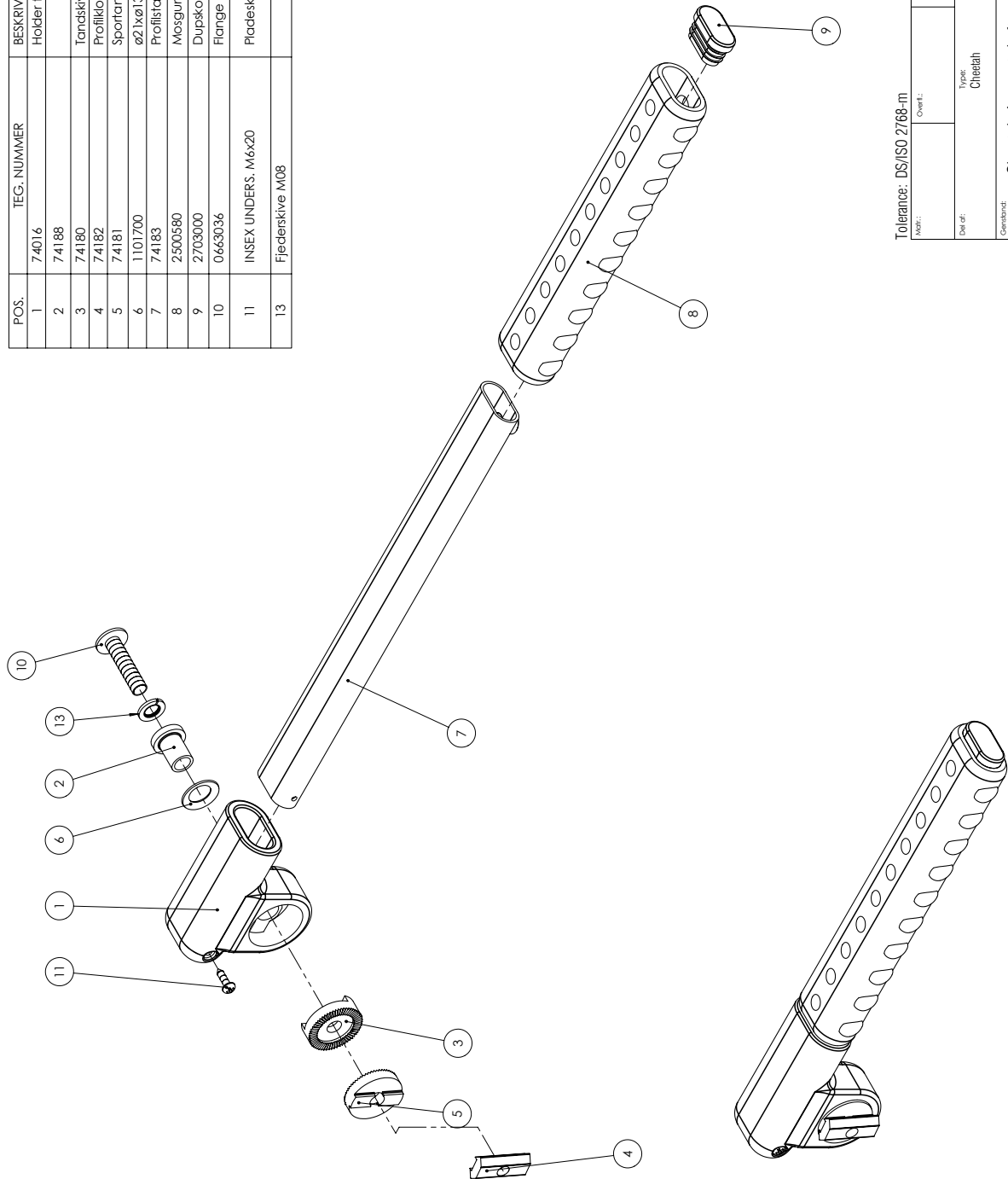
*		CHOOSE SIZE
---	--	-------------



Tolerance: DS/ISO 2768-m		SW File: 01-102003	
Part:	Qte/rt:	R82 A/S	
Type: Cheetah		R82 A/S	
Del et:	Mod:	1:3	
Genstand:	Regn. nr.:	79027	
TRAY	Regn. nr.:		A3


Position	No.	Description	Quantity	Unit of Measure	Ean Code
1	74113	TABLEPLATE F. CHEETAH	1	PCS	5707292379924
2	74178	TRAY MOUNTING,SHORT, CHEETAH	1	PCS	5707292394255
3	74179	TRAY MOUNTING, LONG, CHEETAH	1	PCS	5707292394262
4	0624800	INSEX SCREW COUNTERS. 8*16	4	PCS	5707292139054
5	6118930	NUT M8	4	PCS	5707292353825
6	3652501	R82 HANDLE M6*16MM SCREW	2	PCS	5707292413963

POS.	TEG. NUMMER	BESKRIVELSE	STK.
1	74016	Holder for armlaen	1
2	74188		1
3	74180	Tandskive	1
4	74182	Profilkreds	1
5	74181	Sportfandskive	1
6	1101700	ø21xø13x0.9	1
7	74183	Profilstang f. armlaen	1
8	2500580	Mosgummi f. armlaen	1
9	2703000	Dupsko FR20x10x1-2	1
10	0663036	Flange Buffon Head M8x35	1
11	INSEX UNDERS. M6x20	Pladeskrue st. 3.5x13 phx FZB	1
13	Fjederkive M08		1



Tolerance: DS/ISO 2768-m

SW Profile: 17.11.2006

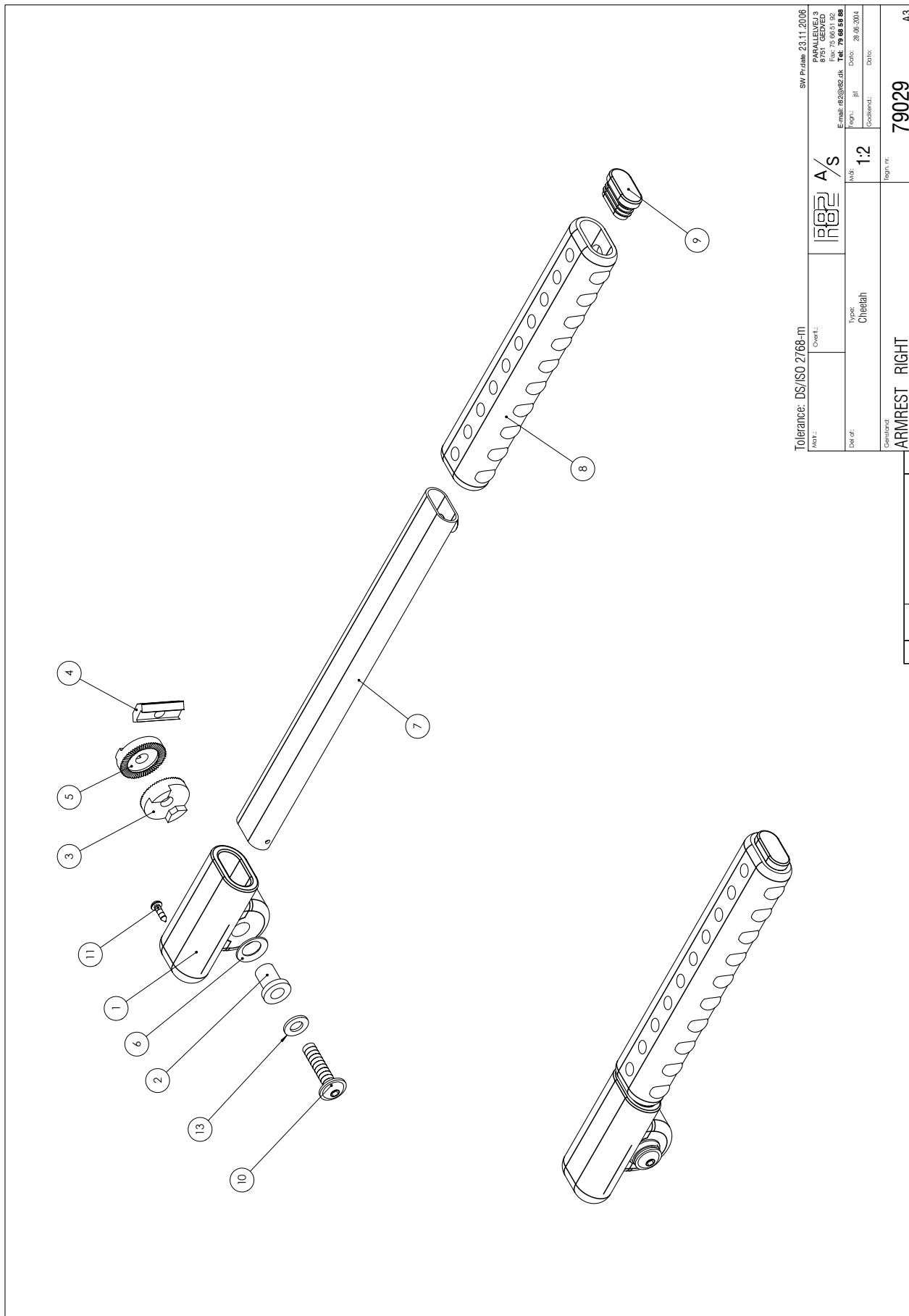

  
 PÅRALLELVEJ 3  
 8751 GEDVED  
 DK-4575 JYBA  
 Tlf: 79 68 51 92  
 E-mail: r82@r82.dk Tel: 79 68 58 88

Def. af: Type: Cheetah  
 Mål: 1:2  
 Godkendt: Jørgen  
 Dato: 12.08.2004  
 Teg. nr.: 79028  
 Genstand: Cheetah Armrest Left

A3

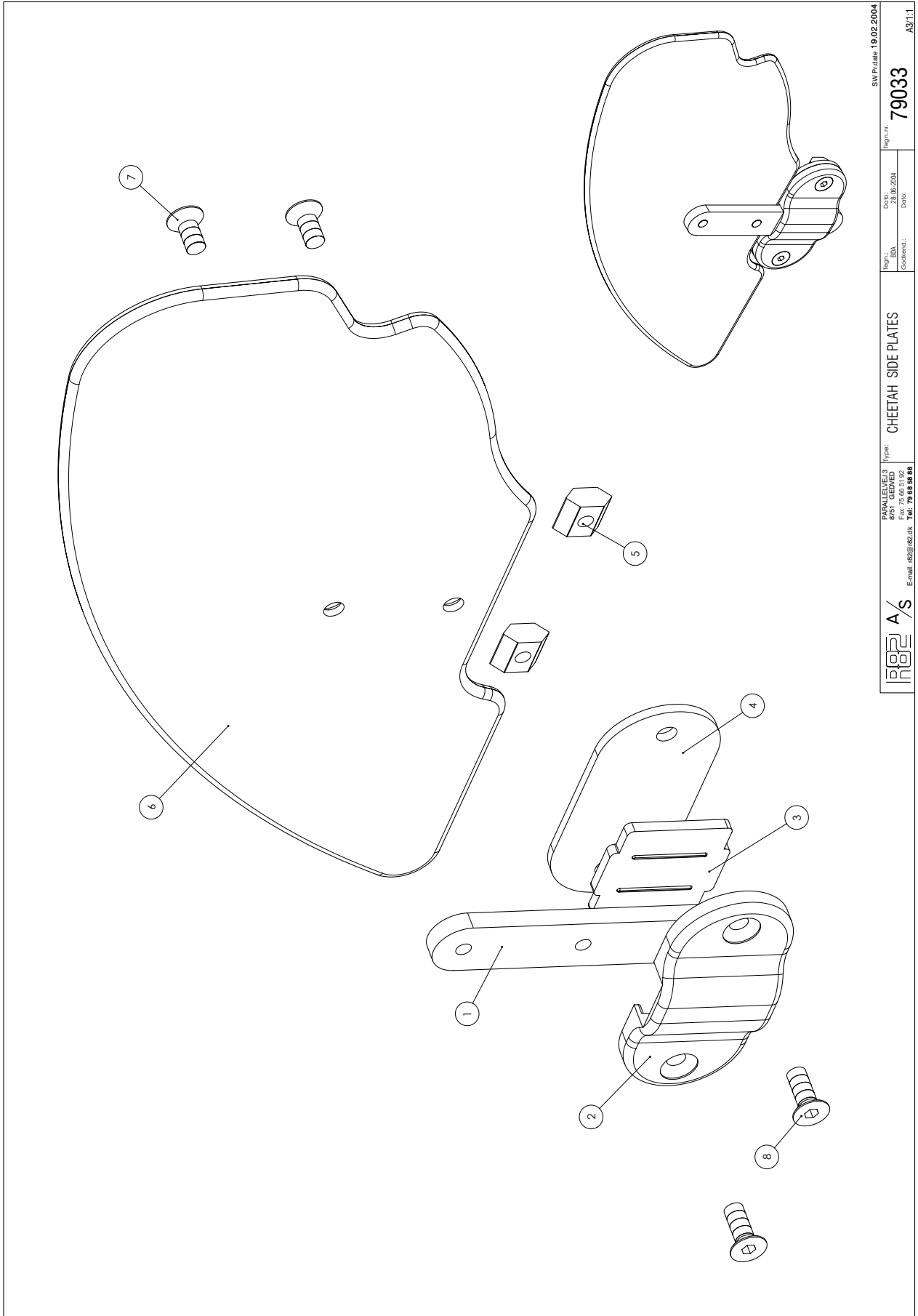
Position	No.	Description	Quantity	Unit of Measure	Ean Code
1	74016	HOLDER FOR ARMREST, LEFT	1	PCS	5707292394682
2	74188	BØSNING Ø12X9X18	1	PCS	5707292450708
3	74180	TANDSKIVE Ø30*10	1	PCS	5707292394385
4	74182	PROFILE BLOCK FOR CHEETAH	1	PCS	5707292391476
5	74181	TANDSKIVE Ø30*8	1	PCS	5707292394378
6	1101700	WASHER, CONIC, M12, FZB	1	PCS	5707292393555
7*	74183	Profilstang f. armlæn Cheetah, size 1	1	PCS	5707292391513
	74185	Profilstang f. armlæn Cheetah, size 2	1	PCS	5707292396198
8*	2500580	TPE cover ø22mm, left, size 1	1	PCS	5707292396174
	2500591	TPE cover ø20mm, left, size 2	1	PCS	5707292402684
9	2703000	OVAL FERRUL FO 30*15 BLACK	1	PCS	5707292144492
10	0603544	INSEX LOW HEAD M8x40 STAINLESS	1	PCS	5707292440150
11	1811200	SHEET METAL SCREW 3,5*13 PHX	1	PCS	5707292141712
13	1100500	SPRING WASHER 8MM, STAINLESS	1	PCS	5707292140142





Tolerance: DS/ISO 2768-m		SW Product: 23.11.2006	
Modul:	Cover:	PARALLELVEJ 3	
		8751 GEDVED	
		Fax: 79 68 51 92	
		E-mail: r82@r82.dk	
		Tel: 79 68 58 88	
		Fax: 79 68 51 92	
		Date: 28.08.2004	
		Godkendt:	
		Reg. nr.:	
ARMREST RIGHT		79029	
		A3	

Position	No.	Description	Quantity	Unit of Measure	Ean Code
1	74017	HOLDER FOR ARMREST, RIGHT SIDE	1	PCS	5707292394699
2	74188	BØSNING Ø12X9X18	1	PCS	5707292450708
3	74180	TANDSKIVE Ø30*10	1	PCS	5707292394385
4	74182	PROFILE BLOCK FOR CHEETAH	1	PCS	5707292391476
5	74181	TANDSKIVE Ø30*8	1	PCS	5707292394378
6	1101700	WASHER, CONIC, M12, FZB	1	PCS	5707292393555
7*	74183	Profilstang f. armlæn Cheetah, size 1	1	PCS	5707292391513
	74185	Profilstang f. armlæn Cheetah, size 2	1	PCS	5707292396198
8*	2500570	TPE cover ø22mm w/hole right, size 1	1	PCS	5707292396181
	2500590	TPE cover ø20mm w/hole right, size 2	1	PCS	5707292402677
9	2703000	OVAL FERRUL FO 30*15 BLACK	1	PCS	5707292144492
10	0603544	INSEX LOW HEAD M8x40 STAINLESS	1	PCS	5707292440150
11	1811200	SHEET METAL SCREW 3,5*13 PHX	1	PCS	5707292141712
13	1100500	SPRING WASHER 8MM, STAINLESS	1	PCS	5707292140142



R82 A/S		PARALLELVEJ 3 8751 GEDVED DK-5270 Tel: 79 68 58 88		Type: CHEETAH SIDE PLATES		Reg.n.r.: 79033		SW Pr.date 19.02.2004	
E-mail: r82@r82.dk		Tel: 79 68 58 88		Reg.n.r.: 79033		Reg.n.r.: 79033		A3/1-1	
E-mail: r82@r82.dk		Tel: 79 68 58 88		Reg.n.r.: 79033		Reg.n.r.: 79033		A3/1-1	
E-mail: r82@r82.dk		Tel: 79 68 58 88		Reg.n.r.: 79033		Reg.n.r.: 79033		A3/1-1	

Position	No.	Description	Quantity	Unit of Measure	Ean Code
1	74170	MOUNTING FOR SIDE PLATE	2	PCS	5707292394279
2	72134	MOUNTING FOR ARMREST	2	PCS	5707292105899
3	82408	UNDERLAYING PLATE, PVC ARMREST	2	PCS	5707292124043
4	74175	BESLAG FOR SIDEPLADE	2	PCS	5707292394286
5	74153	V-TRACKS 14MM M6	4	PCS	5707292374394
6*	74171	SIDEPLATE SIZE 1 RIGHT	1	PCS	5707292394705
	74173	SIDEPLATE SIZE 1 LEFT	1	PCS	5707292394729
	74172	SIDEPLATE SIZE 2 RIGHT	1	PCS	5707292394712
	74174	SIDEPLATE SIZE 2 LEFT	1	PCS	5707292394736
7	0609727	STAINLESS INSEX 6*12 UH	4	PCS	5707292138484
8	0602210	M6*18 STAINLESS COUNTERSINKED	4	PCS	5707292418210