

# Caribou<sup>™</sup>

## Exploded views / Part lists

Rev.date (2026.06)

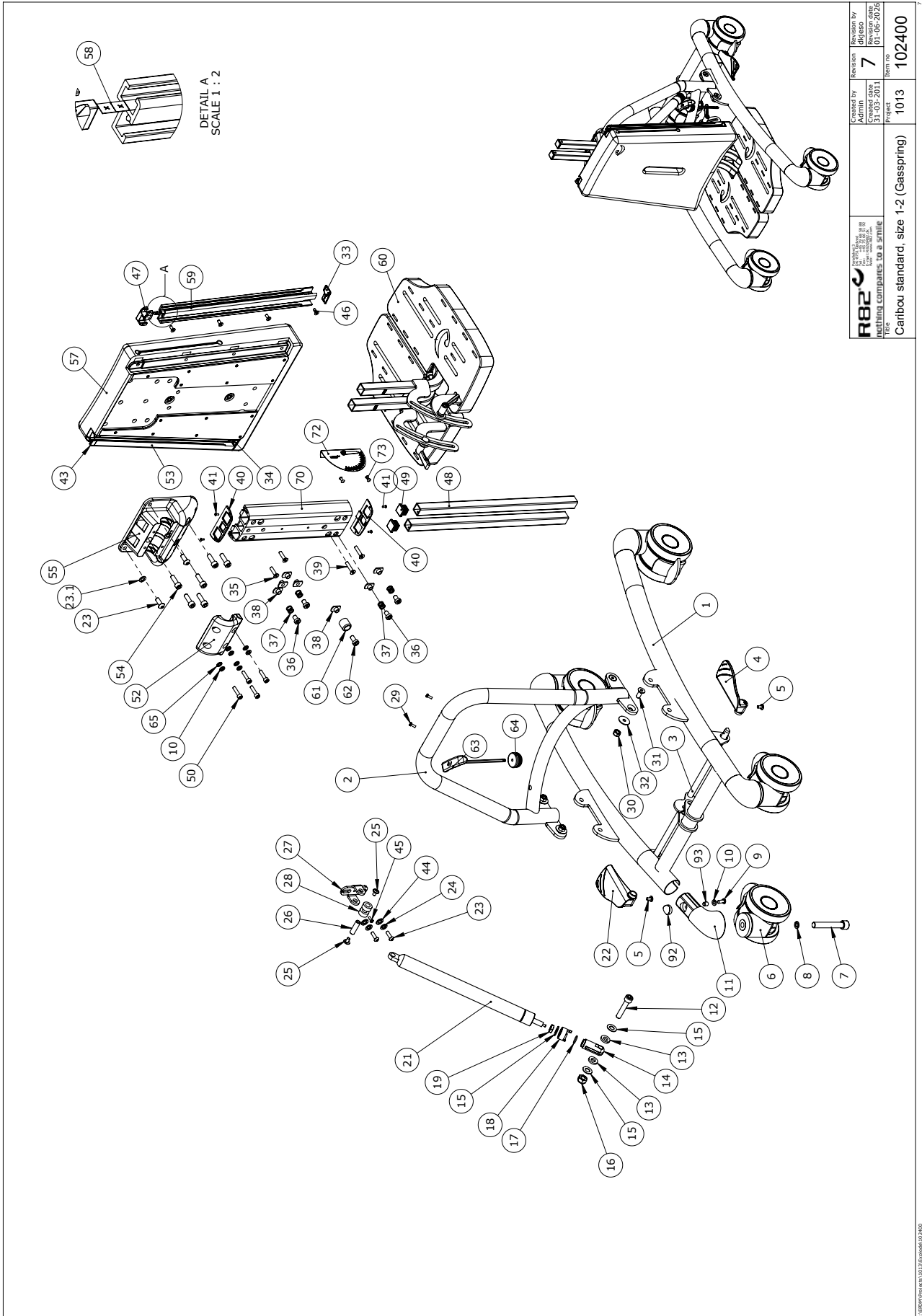
On the following pages you will find the parts used to assemble this product. Please note that some spare parts cannot be purchased individually but are part of a complete kit. Please also note that for some spare parts extra delivery time may occur.



**CONTENTS**

Caribou standard size 1-2, gasspring (102400).....	3
Item numbers for Caribou standard size 1-2, gasspring (102400) .....	4
Caribou standard size 3-4, gasspring (102402).....	6
Item numbers for Caribou standard size 3-4, gasspring (102402) .....	7
Caribou standard size 1-2, Actuator (102453).....	9
Item numbers for Caribou standard size 1-2, Actuator (102453).....	10
Caribou standard size 3-4, Actuator (102455).....	12
Item numbers for Caribou standard size 3-4, Actuator (102455).....	13
Caribou standard size 3- firm adj. (115269).....	15
Item numbers for Caribou standard size 3-firm adj. (115269) .....	16

# Caribou standard size 1-2, gasspring (102400)



 R82 A/S Parallelvej 3 8751 Gedved Denmark	Created by Admin Create date 31-03-2011	Revision 7 Revision date 01-06-2016	Part no. 1013
	Caribou standard, size 1-2 (Gasspring)		Item no. 102400

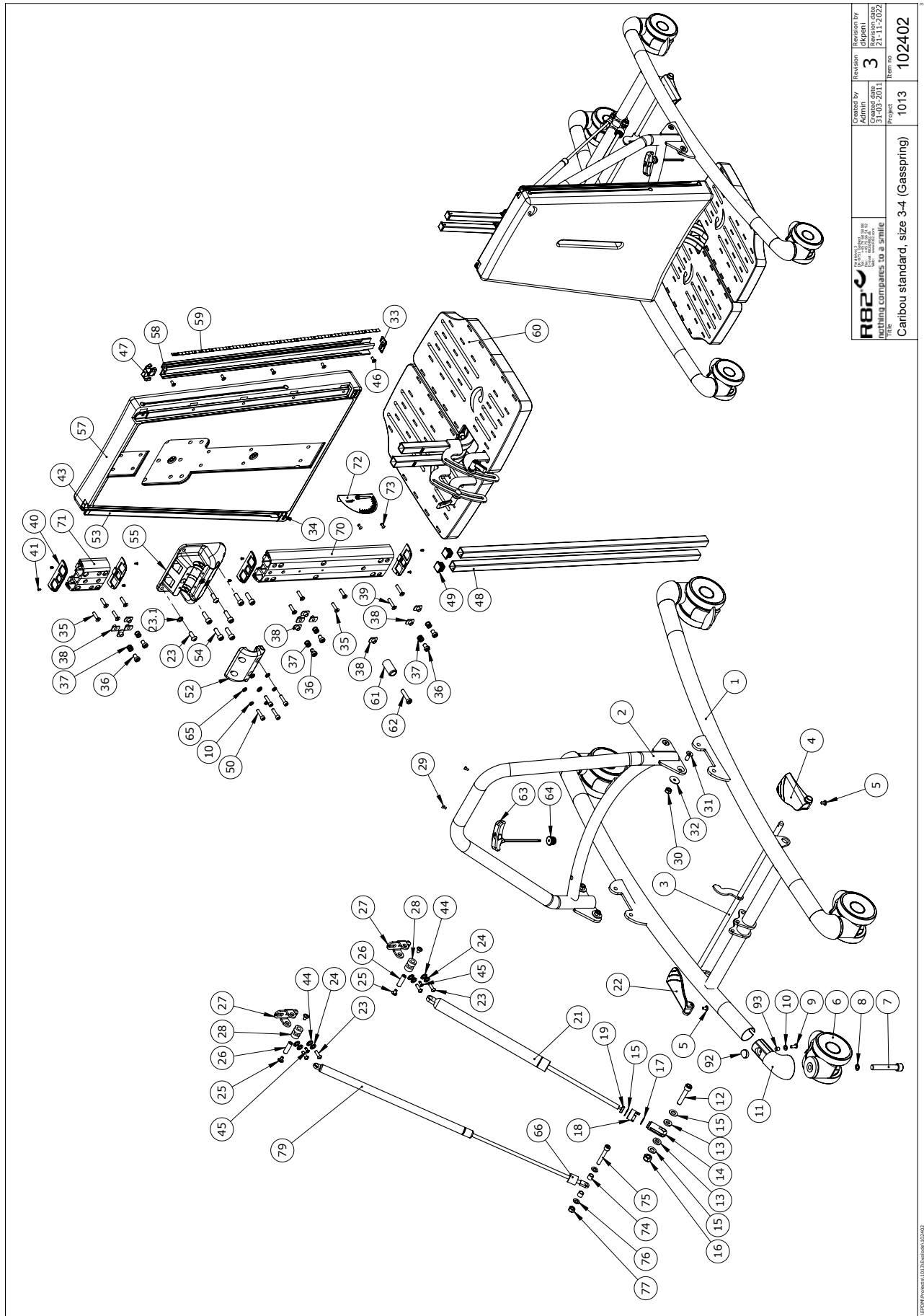
## Item numbers for Caribou standard size 1-2, gasspring (102400)

Position	Art nr.	Description	Quantity	Unit of measure	Ean kode
1*	P-77601-30	Lower frame, size 1, yellow	1	PCS	5707292572806
	P-77602-31	Lower frame, size 2, red	1	PCS	5707292572813
2*	P-77606-30	Upperframe size 1, Yellow	1	PCS	5707292572844
	P-77607-31	Upperframe size 2, Red	1	PCS	5707292572851
3*	174819	Release arm size 1	1	PCS	5715393000838
	174820	Release arm size 2	1	PCS	5715393000845
4	77655	Pedal right	1	PCS	5707292527592
5	0640911	Button head M5x10 FZB tuflok	2	PCS	5707292428479
6	3007200	100mm double wheel with brake	4	PCS	5707292559678
7	0606008	Insex M12x75, FZB	4	PCS	5707292560612
8	1101600	Center spring washer 12mm	4	PCS	5707292140197
9	0641205	Button head screw 6x12	4	PCS	5707292597717
10	1100800	Center spring washer 6mm	8	PCS	5707292140166
12	0606006	Insex M10x50, FZB shortened	1	PCS	5707292545169
13	1350006	Pvc bush black 20x10,2x3,5mm	2	PCS	5707292545428
14	84575	Releasehead ø10	1	PCS	5707292542823
15	1102500	Fazet washer 10 mm	2	PCS	5707292140234
16	1607500	Lock nut 10 mm	1	PCS	5707292141385
17	0108000	O-rings ø13x2,5 quality xp 70	1	PCS	5707292135124
18	82866	Lock for release head	1	PCS	5707292125606
19	1761000	Counter nut 10x1,0 fine thread	1	PCS	5707292141538
20	1102500	Planning washer 10 mm	1	PCS	5707292140234
21	2206400	Bloc-o-lift 400n	1	PCS	5707292562845
22	77660	Pedal left	1	PCS	5707292527608
23	0662500	Button head screw M8x25 stainl	4	PCS	5707292139580
23.1	1101050	Spring washer M8, wavy FZB	2	PCS	5707292458667
24	1100500	Spring washer 8mm, stainless	2	PCS	5707292140142
25	0659012	B.h. M/flange M6x10 FZB eslock	2	PCS	5707292578358
26	77617	Pin	1	PCS	5707292541017
27	77615	Bracket for angle adjustment	1	PCS	5707292528117
28	1350007	Pvc bush black 20x10,5x9,0mm	2	PCS	5707292545527
29	0609734	Thread form 4x10 FZB PZ	2	PCS	5707292577795
30	1607000	Lock nut 8mm, large pack	4	PCS	5707292141378
31	0624825	Insex screw counters. 8x25	4	PCS	5707292139078
32	1102010	Face plate 8,4x18x2mm, FZB	4	PCS	5707292429766
33	84607	Profile end prop	1	PCS	5707292548023
34	84606	Profile end prop	1	PCS	5707292545558
35	0622800	Insex screw counters. 6x20	2	PCS	5707292138972
36	0603525	Insex low head M8x12 stainless	4	PCS	5707292433749
37	0301006	Spring 1x10x10 mm stainless	4	PCS	5707292542229
38	1600521	Welding nut M8 w/flange	7	PCS	5707292360106
39	0623200	Insex screw counters. 6x30	2	PCS	5707292138996
40	77680	End plate	2	PCS	5707292527615
41	1940010	Plastite 60, 2,9x6,5	4	PCS	5707292142573
43	77688	End for Side profile	1	PCS	5707292540997
44	1103200	Fazet washer 8x16x1,5mm, FZB	2	PCS	5707292140296
45	0609734	Thread form 4x10 FZB PZ	1	PCS	5707292577795
46	0615016	Insex screw 5x16	8	PCS	5707292138859

\*choose size/color

Position	Art nr.	Description	Quantity	Unit of measure	Ean kode
47	77689	End for Side profile	1	PCS	5707292541000
48*	84576	Tube 20x20x2mm L=455mm	2	PCS	5707292541956
	174826	Basic pole, size 2, 575 mm	2	PCS	5715393001453
49	2504502	Wear 20x20x0,8-3 black	4	PCS	5707292582591
50	0609827	Stainless insex M6x20	4	PCS	5707292375049
52	77647	Mounting cover	1	PCS	5707292527561
53*	77706	Side profile, size 1, Left	1	PCS	5707292527868
	77707	Side profile, size 2, Left	1	PCS	5707292563521
54	0603535	Insex low head M8x25	6	PCS	5707292575319
55	77646	Mounting base	1	PCS	5707292527370
57*	77731	Base plate size 1 , mounted	1	PCS	5707292527943
	77732	Base plate size 2 , mounted	1	PCS	5707292527950
58*	77671	Side profile, base plate, sz 1	1	PCS	5707292527721
	77672	Side profile, base plate, sz 2	1	PCS	5707292527738
59	102510	Adjustment indicator, size 2	2	PCS	5707292562548
60*	124183	Footplate complete size 1	1	SÆT	5707292800572
	124189	Footplate complete size 2	1	SÆT	5707292800527
61	102408	Stop block, size 1+2	1	PCS	5707292561190
62	0603530	Insex low head M8x16 stainless	1	PCS	5707292412492
63	75291	Hexagon key nv=5	1	PCS	5707292437655
64	102586	Ferrule round with hole.	1	PCS	5707292563477
65	1105060	SS washer M6 6,4x12x1,6	4	PCS	5707292140357
70	77681	Center profile, base sz1,2,4	1	PCS	5707292527790
72	5040080	Protractor	1	PCS	5707292404459
73	0506519	Stainless blind rivet 4x12	2	PCS	5707292137388
11+92+93	176110	Wheel mount	4	PCS	5715393012435
*choose size/color					

# Caribou standard size 3-4, gasspring (102402)



 R82 A/S Parallelvej 3 8751 Gedved Denmark TEL: +45 79 68 58 88 FAX: +45 75 66 51 92 E-MAIL: R82@etac.com WWW: etac.com	Created by Admin	Checked by Admin	Revision 3	Revision by dipeni
	Project 1013	Item no. 102402	Date 21-11-2011	Rev. no. 102402

C:\EPP\Projects\1013\Rev\102402

## Item numbers for Caribou standard size 3-4, gasspring (102402)

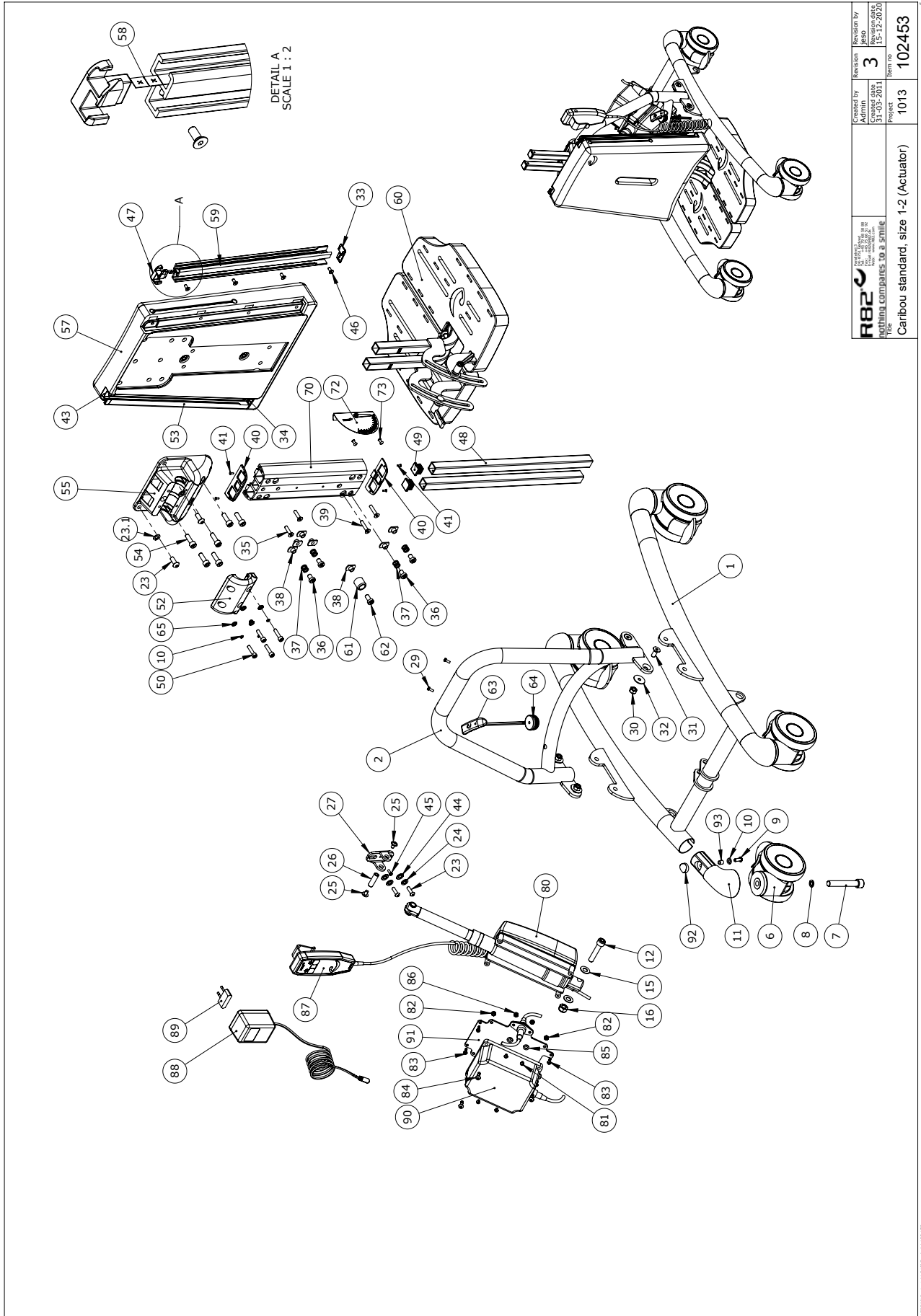
Position	No.	Description		Quantity	Unit of Measure	Ean code
1*	P-77603-32	Lower frame, size 3, Blue		1	PCS	5707292572820
	77603-32	Lower frame, size 3, Blue	Caribou	1	PCS	5707292557407
	P-77604-35	Lower frame, size 4, painted		1	PCS	5707292832542
2*	77608-32	Upperframe size 3, blue		1	PCS	5707292557438
	P-77609-35	Upperframe size 4, painted		1	PCS	5707292832535
3*	77753	Release arm size 3		1	PCS	5707292526380
	77754	Release arm size 4		1	PCS	5707292543066
4	77655	Pedal right		1	PCS	5707292527592
5	0640911	Button head M5x10 FZB tuflok		2	PCS	5707292428479
6	3007200	100mm double wheel with brake		4	PCS	5707292559678
7	0606008	Insex M12x75, FZB		4	PCS	5707292560612
8	1101600	Center spring washer 12mm		4	PCS	5707292140197
9	0641205	Button head screw 6x12		4	PCS	5707292597717
10	1100800	Center spring washer 6mm		4	PCS	5707292140166
12	0606006	Insex M10x50, FZB shortened		1	PCS	5707292545169
13	1350006	Pvc bush black 20x10,2x3,5mm		2	PCS	5707292545428
14	84575	Releasehead ø10		1	PCS	5707292542823
15	1103400	Fazet washer 10 mm		2	PCS	5707292140319
16	1607500	Lock nut 10 mm		1	PCS	5707292141385
17	0108000	O-rings ø13x2,5 quality xp 70		1	PCS	5707292135124
18	82866	Lock for release head		1	PCS	5707292125606
19	1761000	Counter nut 10x1,0 fine thread		1	PCS	5707292141538
20	1102500	Planning washer 10 mm		1	PCS	5707292140234
21*	2206420-1	Bloc-o-lift 600N	Caribou 3	1	PCS	5707292568717
	2206440	Bloc-o-Lift 700N		1	PCS	5707292562883
22	77660	Pedal left		1	PCS	5707292527608
23	0662500	Button head screw M8x25 stainl		6	PCS	5707292139580
23.1	1101050	Spring washer M8, wavy FZB		2	PCS	5707292458667
24	1100500	Spring washer 8mm, stainless		4	PCS	5707292140142
25*	0659012	B.h. M/flange M6x10 FZB eslock	M6x10-bf-fzb-a-10.9	4	PCS	5707292578358
	0659010	Button head with flange M6x10		4	PCS	5707292356819
26	77617	Pin		2	PCS	5707292541017
27	77615	Bracket for angle adjustment		2	PCS	5707292528117
28	1350007	Pvc bush black 20x10,5x9,0mm		2	PCS	5707292545527
29	0609734	Thread form 4x10 FZB PZ	M4x10-cl-fzb-a-8.8	2	PCS	5707292577795
30	1607000	Lock nut 8mm, large pack		4	PCS	5707292141378
31	0624825	Insex screw counters. 8x25		4	PCS	5707292139078
32	1102010	Face plate 8,4x18x2mm, FZB		4	PCS	5707292429766
33	84607	Profile end prop		1	PCS	5707292548023
34	84606	Profile end prop		1	PCS	5707292545558
35	0622800	Insex screw counters. 6x20		8	PCS	5707292138972
36	0603525	Insex low head M8x12 stainless		6	PCS	5707292433749
37	0301006	Spring 1x10x10 mm stainless	Spring 1x10x10 mm stainless	6	PCS	5707292542229
38	1600521	Welding nut M8 w/flange		11	PCS	5707292360106
39	0623200	Insex screw counters. 6x30		2	PCS	5707292138996
40	77680	End plate		4	PCS	5707292527615

\* Choose size / color

Position	No.	Description		Quantity	Unit of Measure	Ean code
41	1940010	Plastite 60, 2,9x6,5		8	PCS	5707292142573
43	77688	End for Side profile		1	PCS	5707292540997
44	1103200	Fazet washer 8x16x1,5mm, FZB		4	PCS	5707292140296
45	0609734	Thread form 4x10 FZB PZ	M4x10-cl-fzb-a-8.8	2	PCS	5707292577795
46	0615016	Insex screw 5x16		10	PCS	5707292138859
47	77689	End for Side profile		1	PCS	5707292541000
48*	174827	Basic pole, size 3, 750 mm		2	PCS	5715393001460
	174828	Basic pole, size 4, 1000 mm		2	PCS	5715393001477
49	2504502	Wear 20x20x0,8-3 black	V20x20x0,8-3	4	PCS	5707292582591
50	0609827	Stainless insex M6x20		4	PCS	5707292375049
52	77647	Mounting cover		1	PCS	5707292527561
53*	77708	Side profile, size 3, Left		1	PCS	5707292563538
	77709	Side profile, size 4, Left		1	PCS	5707292563545
54	0603535	Insex low head M8x25	M8x25-CL-FZB-A-8.8	6	PCS	5707292575319
55	77646	Mounting base		1	PCS	5707292527370
57*	77733	Base plate size 3 , mounted		1	PCS	5707292527967
	77734	Base plate size 4 , mounted		1	PCS	5707292527974
58*	77673	Side profile, base plate, sz 3		1	PCS	5707292527745
	77674	Side profile, base plate, sz 4		1	PCS	5707292527752
59	102510	Adjustment indicator, size 2		2	PCS	5707292562548
60*	124196	Footplate complete size 3		1	SÆT	5707292800473
	121990	Footplate assembly size 4		1	SÆT	5707292800428
61	102451	Stop block, size 3+4		1	PCS	5707292561206
62	0603537	Insex low head M8x35	M8x35-CL-FZB-A-8.8	1	PCS	5707292575333
63	75291	Hexagon key nv=5		1	PCS	5707292437655
64	102586	Ferrule round with hole.		1	PCS	5707292563477
65	1105060	SS washer M6 6,4x12x1,6		4	PCS	5707292140357
66*	104769	Adjustment bush 10mm		1	PCS	5707292570338
	104770	Adjustment bush 20mm		1	PCS	5707292570345
70	100809	Center profile, base size 3+4		1	PCS	5707292561923
71	77683	Center profile,base sz 3-4		1	PCS	5707292527813
72	5040080	Protractor		1	PCS	5707292404459
73	0506519	Stainless blind rivet 4x12		1	PCS	5707292137388
74	1350005	Pvc bush black 15x8,2x4mm		4	PCS	5707292425133
75	0603550	Insex screw 8x50		1	PCS	5707292138255
76	1103200	Fazet washer 8x16x1,5mm, FZB		2	PCS	5707292140296
77	1607000	Lock nut 8mm, large pack		1	PCS	5707292141378
79*	2206410-1	Lift-o-mat 80n	Caribou 3	1	PCS	5707292568700
	2206430-1	Lift-o-mat 80N	Caribou 4	1	PCS	5707292568724
	2206430	Lift-o-mat 80N		1	PCS	5707292562876
11+92+93	176110	Wheel mount		4	PCS	5715393012435

\* Choose size / color

# Caribou standard size 1-2, Actuator (102453)



 R82 A/S Parallelvej 3 8751 Gedved Denmark	Created by Christian Rasmussen 31-05-2011	Revision 3	Revised by Christian Rasmussen 15-12-2020
	Project Caribou standard, size 1-2 (Actuator)	Item no. 1013	Item no. 102453

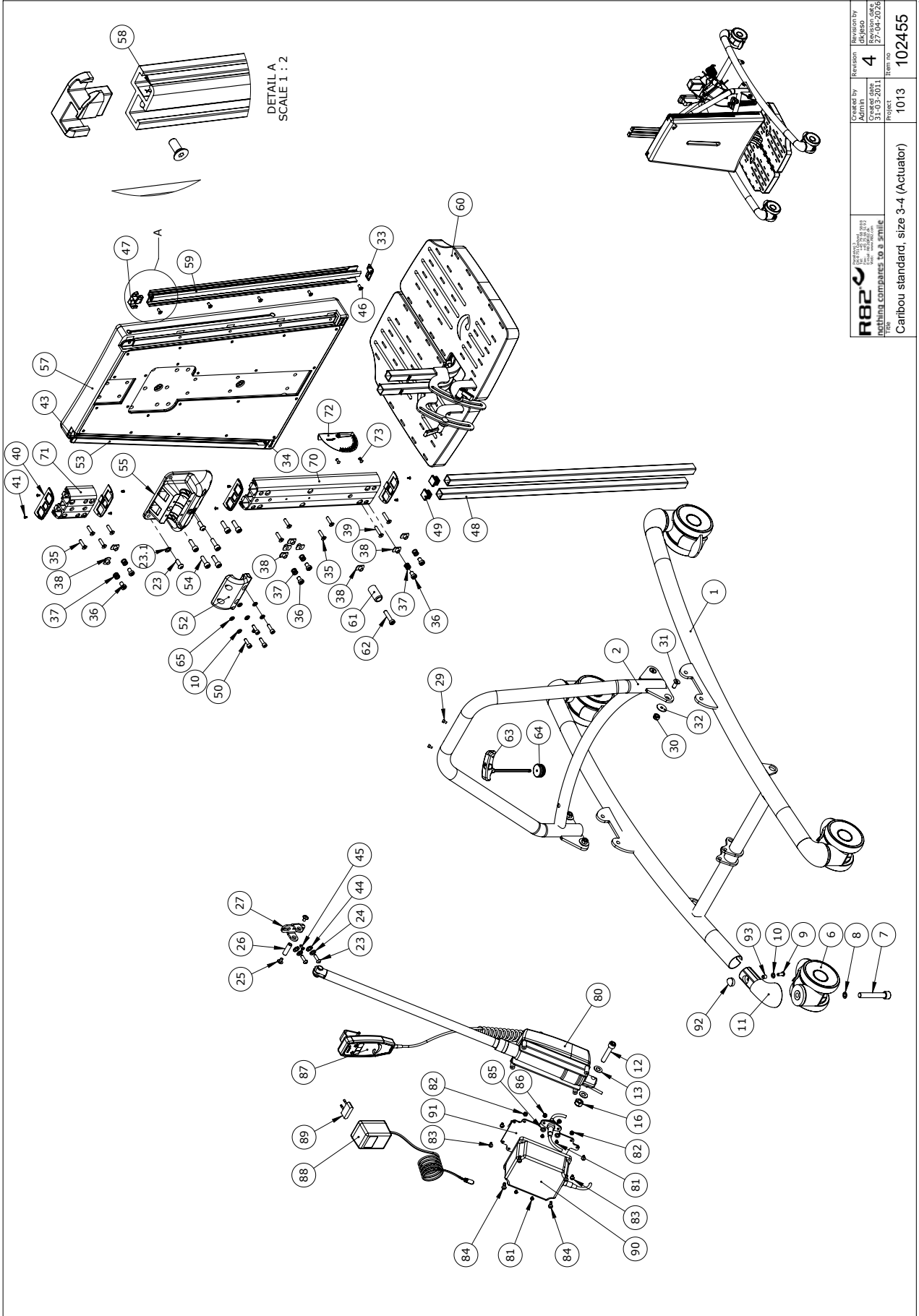
## Item numbers for Caribou standard size 1-2, Actuator (102453)

Position	Art nr.	Description	Quantity	Unit of measure	Ean kode
1*	P-77601-30	Lower frame, size 1, yellow	1	PCS	5707292572806
	P-77602-31	Lower frame, size 2, red	1	PCS	5707292572813
2*	P-77606-30	Upperframe size 1, Yellow	1	PCS	5707292572844
	P-77607-31	Upperframe size 2, Red	1	PCS	5707292572851
6	3007200	100mm double wheel with brake	4	PCS	5707292559678
7	0606008	Insex M12x75, FZB	4	PCS	5707292560612
8	1101600	Center spring washer 12mm	4	PCS	5707292140197
9	0641205	Button head screw 6x12	4	PCS	5707292597717
10	1100800	Center spring washer 6mm	4	PCS	5707292140166
12	0606006	Insex M10x50, FZB shortened	1	PCS	5707292545169
15	1102500	Fazet washer 10 mm	2	PCS	5707292140234
16	1607500	Lock nut 10 mm	1	PCS	5707292141385
23	0662500	Button head screw 8x25 stainl.	4	PCS	5707292139580
23.1	1101050	Spring washer M8	2	PCS	5707292458667
24	1100500	Spring washer 8mm, stainless	2	PCS	5707292140142
25	0659012	B.h. M/flange M6x10 FZB eslock	2	PCS	5707292578358
26	77617	Pin	1	PCS	5707292541017
27	77615	Bracket for angle adjustment	1	PCS	5707292528117
29	0609734	Thread form 4x10 FZB PZ	2	PCS	5707292577795
30	1607000	Lock nut 8mm, large pack	4	PCS	5707292141378
31	0624825	Insex screw counters. 8x25	4	PCS	5707292139078
32	1102010	Face plate 8,4x18x2mm, FZB	4	PCS	5707292429766
33	84607	Profile end prop	1	PCS	5707292548023
34	84606	Profile end prop	1	PCS	5707292545558
35	0622800	Insex screw counters. 6x20	2	PCS	5707292138972
36	0603525	Insex low head M8x12 stainless	4	PCS	5707292433749
37	0301006	Spring 1x10x10 mm stainless	4	PCS	5707292542229
38	1600521	Welding nut M8 w/flange	7	PCS	5707292360106
39	0623200	Insex screw counters. 6x30	2	PCS	5707292138996
40	77680	End plate	2	PCS	5707292527615
41	1940010	Plastite 60, 2,9x6,5	4	PCS	5707292142573
43	77688	End for Side profile	1	PCS	5707292540997
44	1103200	Fazet washer 8mm	2	PCS	5707292140296
45	0609734	Thread form 4x10 FZB PZ	1	PCS	5707292577795
46	0615016	Insex screw 5x16	8	PCS	5707292138859
47	77689	End for Side profile	1	PCS	5707292541000
48*	84576	Tube 20x20x2mm L=455mm	2	PCS	5707292541956
	174826	Basic pole, size 2, 575 mm	2	PCS	5715393001453
49	2504502	Wear 20x20x0,8-3 black	4	PCS	5707292582591
50	0609827	Stainless insex M6x20	4	PCS	5707292375049
52	77647	Mounting cover	1	PCS	5707292527561
53	77706	Side profile, size 1, Left	1	PCS	5707292527868
53	77707	Side profile, size 2, Left	1	PCS	5707292563521
54	0603535	Insex low head M8x25	6	PCS	5707292575319
55	77646	Mounting base	1	PCS	5707292527370

\*choose size/color

Position	Art nr.	Description	Quantity	Unit of measure	Ean kode
57*	77731	Base plate size 1 , mounted	1	PCS	5707292527943
	77732	Base plate size 2 , mounted	1	PCS	5707292527950
58*	77671	Side profile, base plate, sz 1	1	PCS	5707292527721
	77672	Side profile, base plate, sz 2	1	PCS	5707292527738
59	102510	Adjustment indicator, size 2	2	PCS	5707292562548
60*	124183	Footplate complete size 1	1	SÆT	5707292800572
	124189	Footplate complete size 2	1	SÆT	5707292800527
61	102408	Stop block, size 1+2	1	PCS	5707292561190
62	0603530	Insex low head M8x16 stainless	1	PCS	5707292412492
63	75291	Hexagon key nv=5	1	PCS	5707292437655
64	102586	Ferrule round with hole.	1	PCS	5707292563477
65	1105060	Stainless washer 6mm	4	PCS	5707292140357
70	77681	Center profile, base sz1,2,4	1	PCS	5707292527790
72	5040080	Protractor	1	PCS	5707292404459
73	0506519	Stainless blind rivet 4x12	2	PCS	5707292137388
80	2222030	Actuator LA28 for Caribou 1+2	1	PCS	5707292543363
81	1902595	Crosshead screw M3x12, FZB	4	PCS	5707292565099
82	1606300	Lock nut 5 mm	4	PCS	5707292141354
83	1940007	Eco syn 4x16 torx	4	PCS	5707292520593
84	1902760	Cross-headed screw 5x16 mm	4	PCS	5707292142146
85	1102800	Fazet washer 4mm	4	PCS	5707292140265
86	1606250	Self-locking nut 3mm	4	PCS	5707292408396
87	2220600	Handset w/r82 print & charging	1	PCS	5707292492241
88	2222162	Charger ch01 w. plug	PCS	1	5715393038329
90	2222110	Batteryboks ba18027	1	PCS	5707292492258
91	84599	Plate for battery	1	PCS	5707292543233
11+92+93	176110	Wheel Mount	4	PCS	5715393012435
*choose size/color					

# Caribou standard size 3-4, Actuator (102455)



 R82 A/S Parallelvej 3 8751 Gedved Denmark THE WINNING COMPANIES TO 3 PARTNER	Created by Admin	Revision 4	Revision by dkjasa
	Date of issue 27-04-2011	Project 1013	Item no. 102455
Caribou standard, size 3-4 (Actuator)			

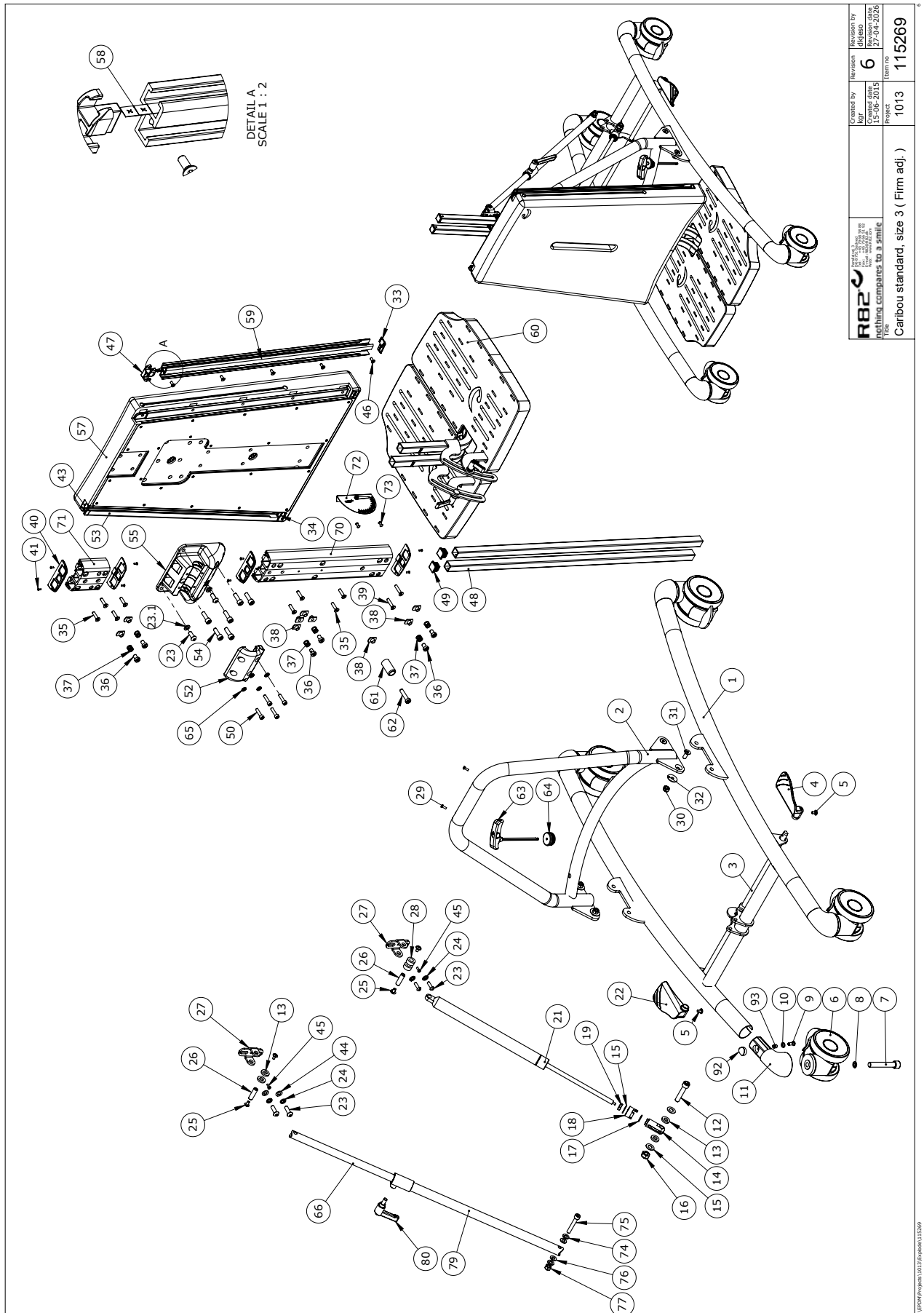
## Item numbers for Caribou standard size 3-4, Actuator (102455)

Position	Art nr.	Description	Quantity	Unit of measure	Ean kode
1*	P-77603-32	Lower frame, size 3, Blue	1	PCS	5707292572820
	P-77604-35	Lower frame, size 4, painted	1	PCS	5707292832542
2*	P-77608-32	Upperframe size 3, blue	1	PCS	5707292572868
	P-77609-35	Upperframe size 4, painted	1	PCS	5707292832535
6	3007200	100mm double wheel with brake	4	PCS	5707292559678
7	0606008	Insex M12x75, FZB	4	PCS	5707292560612
8	1101600	Center spring washer 12mm	4	PCS	5707292140197
9	0641205	Button head screw 6x12	4	PCS	5707292597717
10	1100800	Center spring washer 6mm	4	PCS	5707292140166
12	0606006	Insex M10x50, FZB shortened	1	PCS	5707292545169
13	1102500	Fazet washer 10 mm	2	PCS	5707292140234
16	1607500	Lock nut 10 mm	1	PCS	5707292141385
23	0662500	Button head screw 8x25 stainl.	4	PCS	5707292139580
23.1	1101050	Spring washer M8	2	PCS	5707292458667
24	1100500	Spring washer 8mm, stainless	2	PCS	5707292140142
25	0659012	B.h. M/flange M6x10 FZB eslock	2	PCS	5707292578358
26	77617	Pin	1	PCS	5707292541017
27	77615	Bracket for angle adjustment	1	PCS	5707292528117
29	0609734	Thread form 4x10 FZB PZ	2	PCS	5707292577795
30	1607000	Lock nut 8mm, large pack	4	PCS	5707292141378
31	0624825	Insex screw counters. 8x25	4	PCS	5707292139078
32	1102010	Face plate 8,4x18x2mm, FZB	4	PCS	5707292429766
33	84607	Profile end prop	1	PCS	5707292548023
34	84606	Profile end prop	1	PCS	5707292545558
35	0622800	Insex screw counters. 6x20	8	PCS	5707292138972
36	0603525	Insex low head M8x12 stainless	6	PCS	5707292433749
37	0301006	Spring 1x10x10 mm stainless	6	PCS	5707292542229
38	1600521	Welding nut M8 w/flange	9	PCS	5707292360106
39	0623200	Insex screw counters. 6x30	2	PCS	5707292138996
40	77680	End plate	4	PCS	5707292527615
41	1940010	Plastite 60, 2,9x6,5	8	PCS	5707292142573
43	77688	End for Side profile	1	PCS	5707292540997
44	1103200	Fazet washer 8mm	2	PCS	5707292140296
45	0609734	Thread form 4x10 FZB PZ	1	PCS	5707292577795
46	0615016	Insex screw 5x16	10	PCS	5707292138859
47	77689	End for Side profile	1	PCS	5707292541000
48	174827	Basic pole, size 3, 750 mm	2	PCS	5715393001460
48	174828	Basic pole, size 4, 1000 mm	2	PCS	5715393001477
49	2504502	Wear 20x20x0,8-3 black	4	PCS	5707292582591
50	0609827	Stainless insex M6x20	4	PCS	5707292375049
52	77647	Mounting cover	1	PCS	5707292527561
53	77708	Side profile, size 3, Left	1	PCS	5707292563538
53	77709	Side profile, size 4, Left	1	PCS	5707292563545
54	0603535	Insex low head M8x25	6	PCS	5707292575319
55	77646	Mounting base	1	PCS	5707292527370
57*	77733	Base plate size 3 , mounted	1	PCS	5707292527967
	77734	Base plate size 4 , mounted	1	PCS	5707292527974

\*choose size/color

Position	Art nr.	Description	Quantity	Unit of measure	Ean kode
58*	77673	Side profile, base plate, sz 3	1	PCS	5707292527745
	77674	Side profile, base plate, sz 4	1	PCS	5707292527752
59	102510	Adjustment indicator, size 2	2	PCS	5707292562548
60*	124196	Footplate complete size 3	1	SÆT	5707292800473
	121990	Footplate assembly size 4	1	SÆT	5707292800428
61	102451	Stop block, size 3+4	1	PCS	5707292561206
62	0603537	Insex low head M8x35	1	PCS	5707292575333
63	75291	Hexagon key nv=5	1	PCS	5707292437655
64	102586	Ferrule round with hole.	1	PCS	5707292563477
65	1105060	Stainless washer 6mm	4	PCS	5707292140357
70	100809	Center profile, base size 3+4	1	PCS	5707292561923
71	77683	Center profile, base sz 3-4	1	PCS	5707292527813
72	5040080	Protractor	1	PCS	5707292404459
73	0506519	Stainless blind rivet 4x12	2	PCS	5707292137388
80*	2222036	Actuator LA28 Caribou 3	1	PCS	5707292550514
	2222035	Actuator LA28 Caribou 4	1	PCS	5707292544964
81	1902595	Crosshead screw M3x12, FZB	4	PCS	5707292565099
82	1606300	Lock nut 5 mm	4	PCS	5707292141354
83	1940007	Eco syn 4x16 torx	4	PCS	5707292520593
84	1902760	Cross-headed screw 5x16 mm	4	PCS	5707292142146
85	1102800	Fazet washer 4mm	4	PCS	5707292140265
86	1606250	Self-locking nut 3mm	4	PCS	5707292408396
87	2220600	Handset w/r82 print & charging	1	PCS	5707292492241
88	2222162	Charger ch01 w. plug	PCS	1	5715393038329
90	2222110	Batteryboks ba18027	1	PCS	5707292492258
91	84599	Plate for battery	1	PCS	5707292543233
11+92+93	176110	Wheel Mount	4	PCS	5715393012435
*choose size/color					

# Caribou standard size 3- firm adj. (115269)



 R82 A/S Everything compares to a smile Title: Caribou standard, size 3 ( Firm adj. )	Created by 15-06-2015	Revision by 6 27-04-2026
	Project 1013	Item no 115269

## Item numbers for Caribou standard size 3-firm adj. (115269)

Position	Art nr.	Description	Quantity	Unit of measure	Ean kode
1*	P-77603-32	Lower frame, size 3, Blue	1	PCS	5707292572820
	P-77604-35	Lower frame, size 4, painted	1	PCS	5707292832542
2*	P-77608-32	Upperframe size 3, blue	1	PCS	5707292572868
	P-77609-35	Upperframe size 4, painted	1	PCS	5707292832535
3*	77753	Release arm size 3	1	PCS	5707292526380
	77754	Release arm size 4	1	PCS	5707292543066
4	77655	Pedal right	1	PCS	5707292527592
5	0640911	Button head M5x10 FZB tuflok	2	PCS	5707292428479
6	3007200	100mm double wheel with brake	4	PCS	5707292559678
7	0606008	Insex M12x75, FZB	4	PCS	5707292560612
8	1101600	Center spring washer 12mm	4	PCS	5707292140197
9	0641205	Button head screw 6x12	4	PCS	5707292597717
10	1100800	Center spring washer 6mm	4	PCS	5707292140166
12	0606006	Insex M10x50, FZB shortened	1	PCS	5707292545169
13	1350006	Pvc bush black 20x10,2x3,5mm	4	PCS	5707292545428
14	84575	Releasehead ø10	1	PCS	5707292542823
15	1102500	Fazet washer 10 mm	2	PCS	5707292140234
16	1607500	Lock nut 10 mm	1	PCS	5707292141385
17	0108000	O-rings ø13x2,5 quality xp 70	1	PCS	5707292135124
18	82866	Lock for release head	1	PCS	5707292125606
19	1761000	Counter nut 10x1,0 fine thread	1	PCS	5707292141538
20	1102500	Planning washer 10 mm	1	PCS	5707292140234
21	2206420	Bloc-o-lift 600N	1	PCS	5707292562869
22	77660	Pedal left	1	PCS	5707292527608
23	0662500	Button head screw 8x25 stainl.	6	PCS	5707292139580
23.1	1101050	Spring washer M8	2	PCS	5707292458667
24	1100500	Spring washer 8mm, stainless	4	PCS	5707292140142
25	0659012	B.h. M/flange M6x10 FZB eslock	4	PCS	5707292578358
26	77617	Pin	2	PCS	5707292541017
27	77615	Bracket for angle adjustment	2	PCS	5707292528117
28	1350007	Pvc bush black 20x10,5x9,0mm	2	PCS	5707292545527
29	0609734	Thread form 4x10 FZB PZ	2	PCS	5707292577795
30	1607000	Lock nut 8mm, large pack	4	PCS	5707292141378
31	0624825	Insex screw counters. 8x25	4	PCS	5707292139078
32	1102010	Face plate 8,4x18x2mm, FZB	4	PCS	5707292429766
33	84607	Profile end prop	1	PCS	5707292548023
34	84606	Profile end prop	1	PCS	5707292545558
35	0622800	Insex screw counters. 6x20	8	PCS	5707292138972
36	0603525	Insex low head M8x12 stainless	6	PCS	5707292433749
37	0301006	Spring 1x10x10 mm stainless	6	PCS	5707292542229
38	1600521	Welding nut M8 w/flange	11	PCS	5707292360106
39	0623200	Insex screw counters. 6x30	2	PCS	5707292138996
40	77680	End plate	4	PCS	5707292527615
41	1940010	Plastite 60, 2,9x6,5	8	PCS	5707292142573
43	77688	End for Side profile	1	PCS	5707292540997
44	1103200	Fazet washer 8mm	4	PCS	5707292140296
45	0609734	Thread form 4x10 FZB PZ	1	PCS	5707292577795
46	0615016	Insex screw 5x16	10	PCS	5707292138859

\*choose size/color

Position	Art nr.	Description	Quantity	Unit of measure	Ean kode
47	77689	End for Side profile	1	PCS	5707292541000
48*	174827	Basic pole, size 3, 750 mm	2	PCS	5715393001460
	174828	Basic pole, size 4, 1000 mm	2	PCS	5715393001477
49	2504502	Wear 20x20x0,8-3 black	4	PCS	5707292582591
50	0609827	Stainless insex M6x20	4	PCS	5707292375049
52	77647	Mounting cover	1	PCS	5707292527561
53	77708	Side profile, size 3, Left	1	PCS	5707292563538
53	77709	Side profile, size 4, Left	1	PCS	5707290000000
54	0603535	Insex low head M8x25	6	PCS	5707292575319
55	77646	Mounting base	1	PCS	5707292527370
57*	77733	Base plate size 3 , mounted	1	PCS	5707292527967
	77734	Base plate size 4 , mounted	1	PCS	5707290000000
58 *	77673	Side profile, base plate, sz 3	1	PCS	5707292527745
	77674	Side profile, base plate, sz 4	1	PCS	5707290000000
59	102510	Adjustment indicator, size 2	2	PCS	5707292562548
60	124196	Footplate complete size 3	1	SÆT	5707292800473
60	121990	Footplate assembly size 4	1	SÆT	5707290000000
61	102451	Stop block, size 3+4	1	PCS	5707292561206
62	0603537	Insex low head M8x35	1	PCS	5707292575333
63	75291	Hexagon key nv=5	1	PCS	5707292437655
64	102586	Ferrule round with hole.	1	PCS	5707292563477
65	1105060	Stainless washer 6mm	4	PCS	5707292140357
66	113074	Inner tube for ajustm.unit s.3	1	PCS	5707292601896
66	113073	Inner tube for ajustm.unit s.4	1	PCS	5707290000000
70	100809	Center profile, base size 3+4	1	PCS	5707292561923
71	77683	Center profile,base sz 3-4	1	PCS	5707292527813
72	5040080	Protractor	1	PCS	5707292404459
73	0506519	Stainless blind rivet 4x12	2	PCS	5707292137388
74	1310610	Nylon washer din 125a, M8	2	PCS	5707292374684
75	0603550	Insex screw 8x50	1	PCS	5707292138255
76	1103200	Fazet washer 8mm	2	PCS	5707292140296
77	1607000	Lock nut 8mm, large pack	1	PCS	5707292141378
79	113068	Outer tube welded for adjustme	1	PCS	5707292601919
80	3502600	Tightening handle 65mm M8x16	1	PCS	5707292146922
11+92+93	176110	Wheel Mount	4	PCS	5715393012435
*choose size/color					