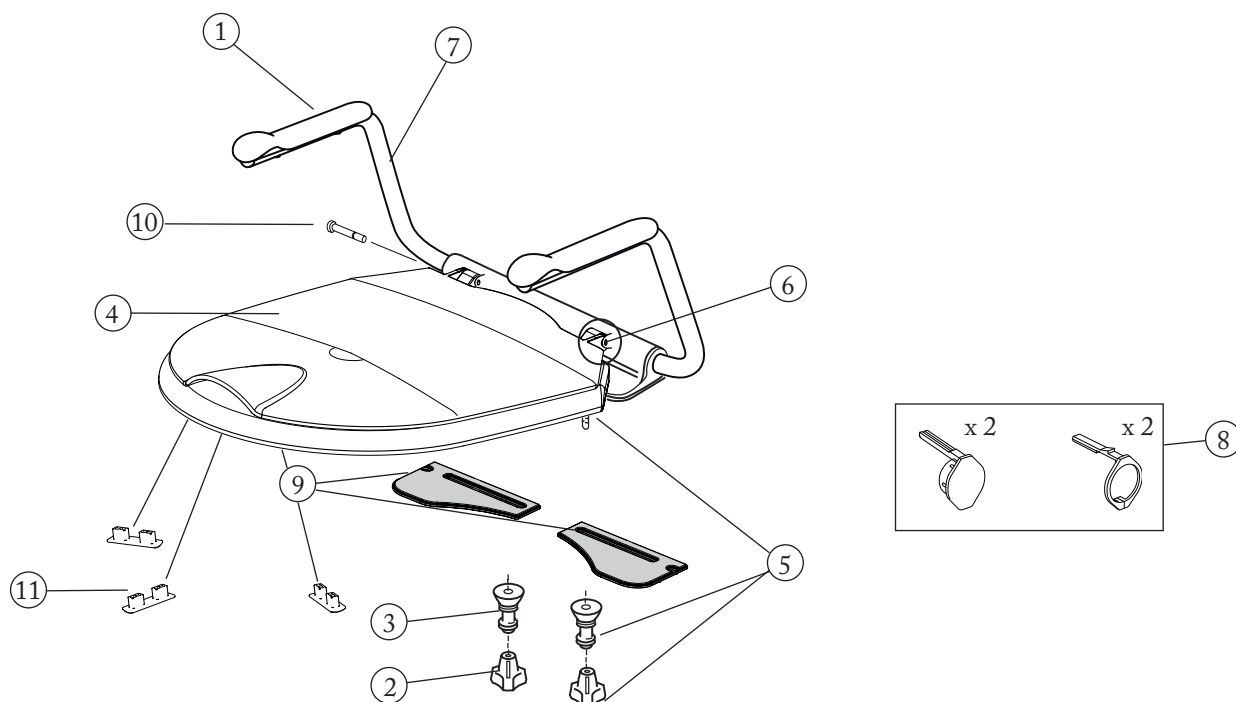


# Supporter II



Pos	Description	Art nr
1	Support plate armrest, 2 pcs .....	8400 1253
2	Assembly nut 10 pcs.....	8400 1122
3	Adapter, 10 pcs .....	8400 1195
4	Toilet lid and seat.....	8400 1102
5	Screw kit pair.....	8400 1125
6	Socket toilet lid 10 pcs (until serial no. 18972) .....	8400 1209
7	Armrest Supporter pair complete .....	8400 1252
8	End cap set Hi-loo/Supporter.....	8400 1217
9	Sealing Hi-Loo/Supporter right, left .....	8400 1126
10	Axle 10 pcs. (from serial no. 18973).....	8400 1103
11	Friction details Supporter, 3 pcs (from serial no. 18973) .....	8400 5094

78485C

11-04-28

Etac AB, Box 203, SE-334 24 Anderstorp

Tel. +46/371-58 73 00, Fax. +46/371-58 73 90

www.etac.com