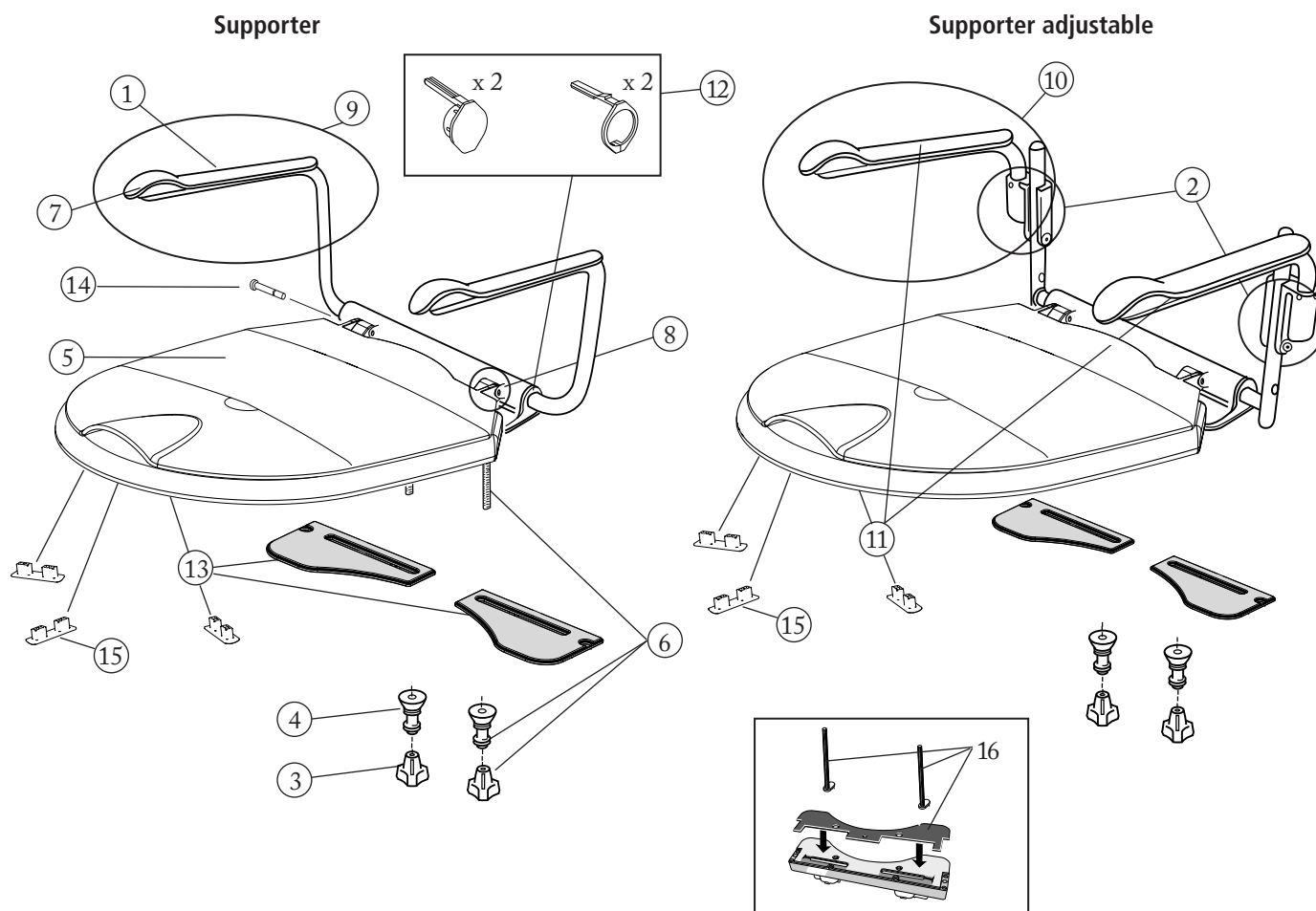


Supporter



Pos	Description	Art no
1	Support plate Armrest, 2 pcs	8400 1212
2	Armrest socket, pair, Mobilette/Supporter/Stapel/Rufus	8400 1110
3	Assembly nut, 10 pcs, HiLoo/Supporter	8400 1122
4	Adapter Hi-Loo/ Supporter, 10 pcs	8400 1195
5	Toilet lid and seat	8400 1102
6	Screw kit , 2+2 pcs	8400 1125
7	End cover, 10 pcs	8400 1202
8	Socket toilet lid, 10 pcs (until serial no 142323) (Supp adj until ser no 71037)	8400 1209
9	Armrest Supporter, pair	8400 1237
10	Armrests Supporter adjustable, pair	8400 1238
11	Armrest Supporter adjustable, 2 pcs	8400 1134
12	End cap set, Hi-Loo/Supporter	8400 1217
13	Sealing right, left	8400 1126
14	Axle 10 pcs. (from serial no 142324) (Supp adj from ser no 71038).....	8400 1103
15	Friction details, 3 pcs (from serial no 142324) (Supp adj from ser no 71038)	8400 5094
Supporter accessory		
16	Adjustment kit, Hi-Loo/Supporter special Hi-Loo/Supporter.....	8030 1050

78297D

11-04-29

Etac AB, Box 203, SE-334 24 Anderstorp

Tel. +46/371-58 73 00, Fax. +46/371-58 73 90

www.etac.com