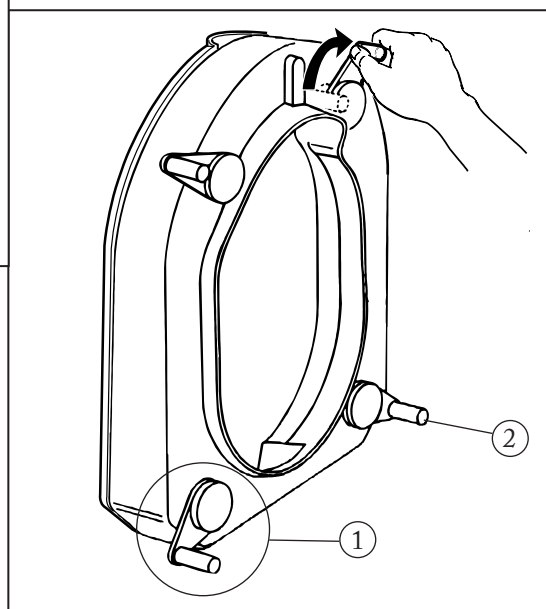
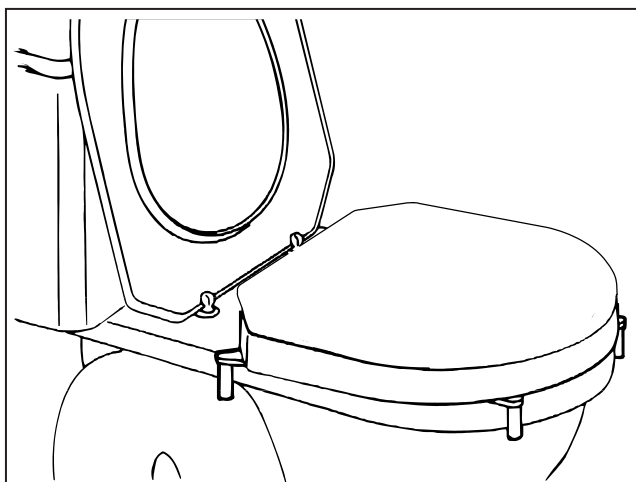


Hi-Loo

with brakets, 6, 10 and 14 cm



Pos	Description	Art no
1	Bracket, 4 pcs	8400 1101
2	Friction casing, 10 pcs	8400 1260

78293A

04-10-08

Etac AB, Box 203, SE-334 24 Anderstorp
Tel. +46/371-58 73 00, Fax. +46/371-58 73 90

www.etac.com