

# Etac Prio

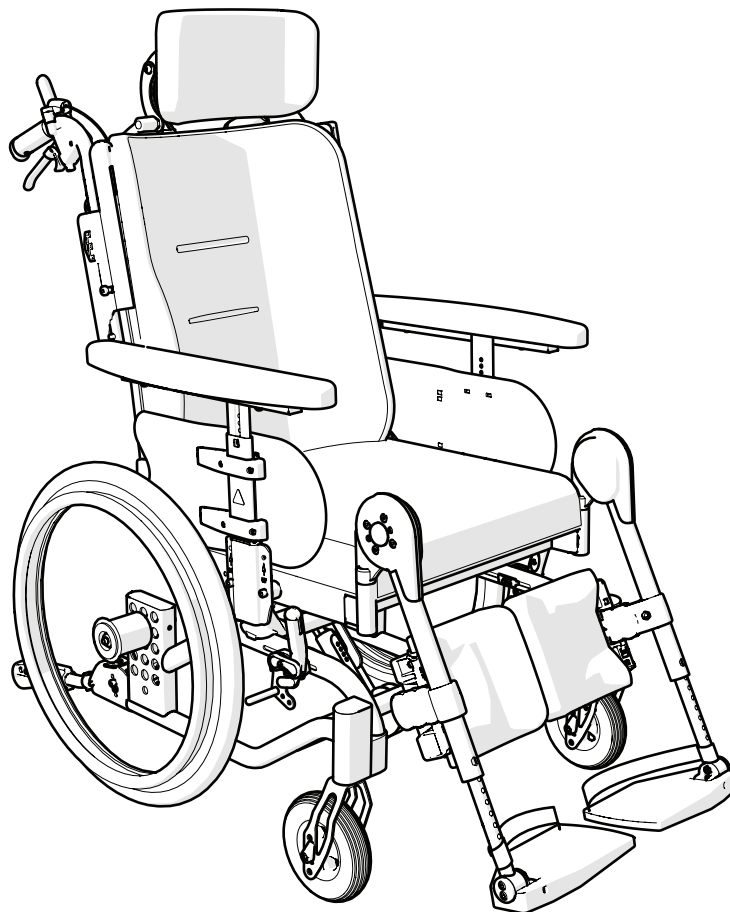
## Spareparts list english



75355K 2021-04-15

---

Applies to Etac Prio with serial no beginning with 38C



# Index

Index	Page
Frame	3
Seat frame	4
Gas pistons, comfort lock	5
Electric recline function	6-7
Back support frame	8-9
Push handles	10
Bow handle	11
Bow handle angle adjustable	12
Leg support	13-14
Leg support fixed angle	15
Amputee leg support	16
Foot support	17
Foot support one piece	18
User brake	19-20
Rear wheel	21
Attendant brake	22
Tyre and innertube	23
Castor	24
Widening kit	25
Solid seat	26
Arm support	27-28
Arm support Hemi	29
Trunk support	30-32
Leg Abduction	33
Tray	34
Attachment harness	35
IV stand	36
Basket	37
Positioning belt	38
Anti tip	39
Spoke guard	40
Head support	41
Seat cushion	42-43
Seat cushion - Cover	44
Back support cushion	45
Back support cover	46
Extension back upholstery	47
Back support upholstery, Active lumbar support	48
Back angle control	49

### Explanation for list of points

- Applies to model

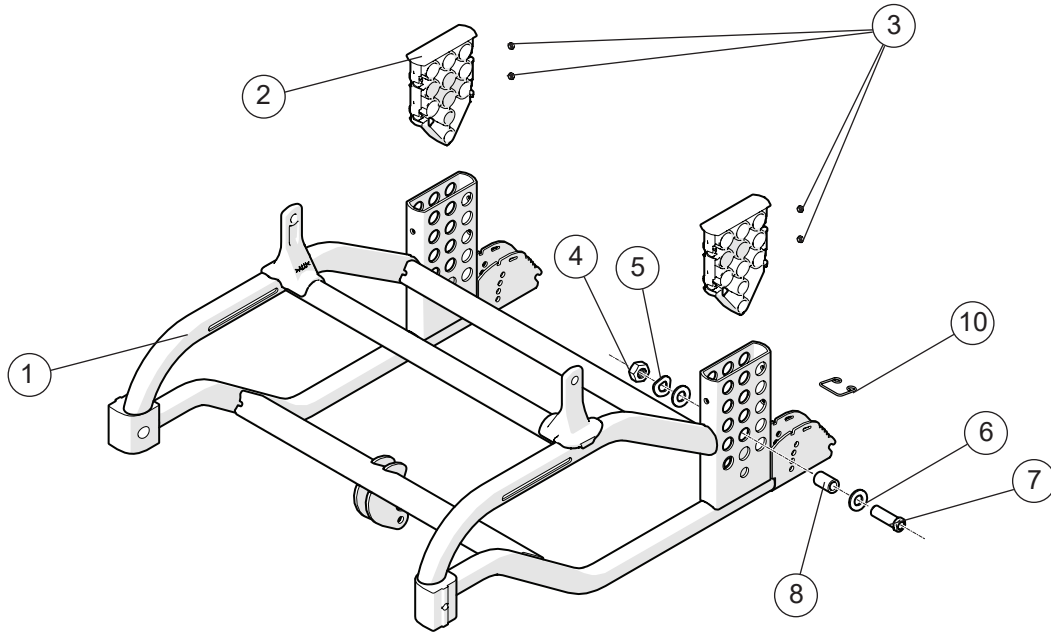
Prio equipped with 16" rear wheels	●
Prio equipped with attendant brakes	●
Prio equipped with handrim rear wheels	●
	●

Prio

Prio AB

Prio 16"

# Frame

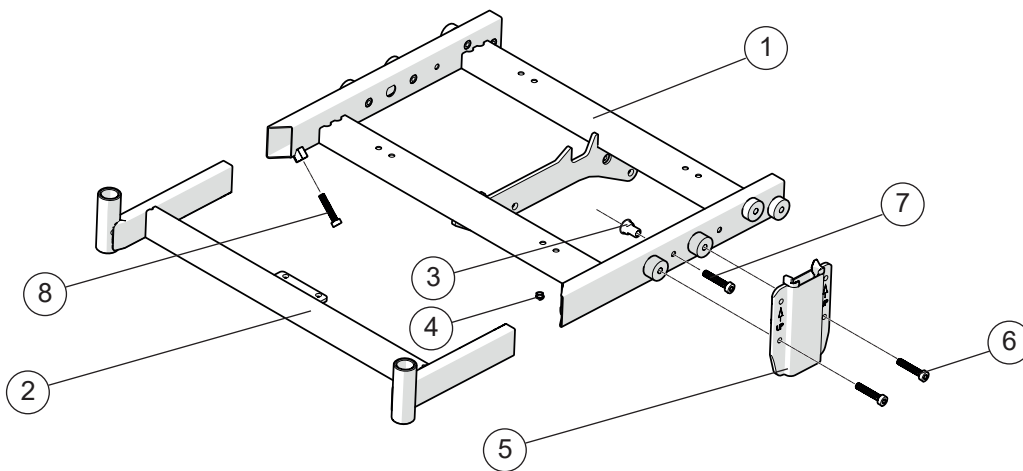


Pos.	Description	Item no.
1	Frame Prio	
2	Cover rear wheel attachm Prio	
3	Square nut high M6	
4	Nut M16x 1 NV 24 B8	12052
	Nut M12 Low DIN 439B	12076
5	Locking washer AZ 5/8	13039
6	BRB 17x30x3 Washer	13117
7	Axle sleeve M100 D12	20024
8	Adapter sleeve 16" Prio (2 pcs and assembly instruction)	28414
9	Touch up paint	80517-01
10	Spring anti-tip	83142

Prio  
Prio AB  
Prio 16"

●	●	●
●	●	●
●	●	●
●	●	
●	●	●
●	●	
●	●	
		●
●	●	●
●	●	●

# Seat frame

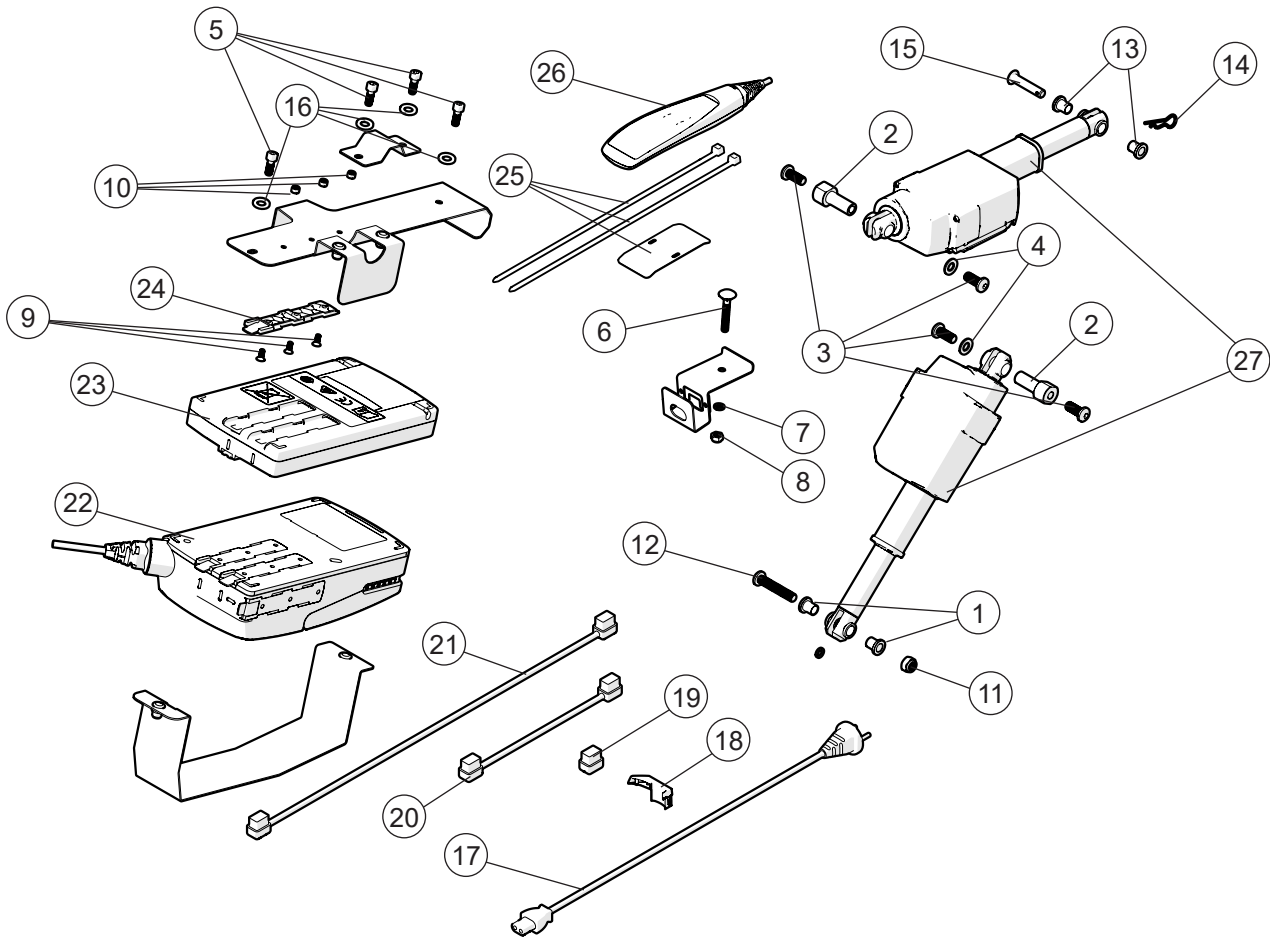


Prio  
Prio AB  
Prio 16"

Pos.	Description	Item no.			
1	Seat frame rear Prio		●	●	●
2	Seat frame front Prio		●	●	●
3	Joint nut seat frame Prio	12117	●	●	●
4	Wire attachment	50893	●	●	●
5	Attachment armrest Prio	28514	●	●	●
6	Screw M 6x 16 MC6S 12.9	11253	●	●	●
7	Screw M 6x 14 MC6LS SW5 Zn8/P4	11700	●	●	●
8	Screw M8x16 K6S A2	11014	●	●	●



# Actuator, electric recline function



Pos.	Description	Item. no.
1	Spacer electric tilt Prio	
2	Spacer M8 electric tilt Prio	
3	Screw M 8x 20 fzb	
4	Cir clip RSM 5 stainless	
5	Screw M 6x 16 MC6S 12.9	
6	Screw M 6x 40 MVBF fzb	
7	Washer BRB 6x3x10x1.5 fzb	
8	Locking nut M 6 fzb	
9	Screw M 4x 10 MF6S Fzb	
10	Locking nut M 4 fzb	
11	Locking nut M 8	
12	Screw M 8x 45 MK6S Fzb	
13	Spacer POM electric tilt Prio	
14	Locking pin R t2	
15	Bolt electric tilt Prio	
16	Washer BRB 6.5x12x1.5	
1-16	Screw kit	28370
17	Power plug electric tilt Prio	83173
18	Cablelock actuator electric tilt P	83170

Prio

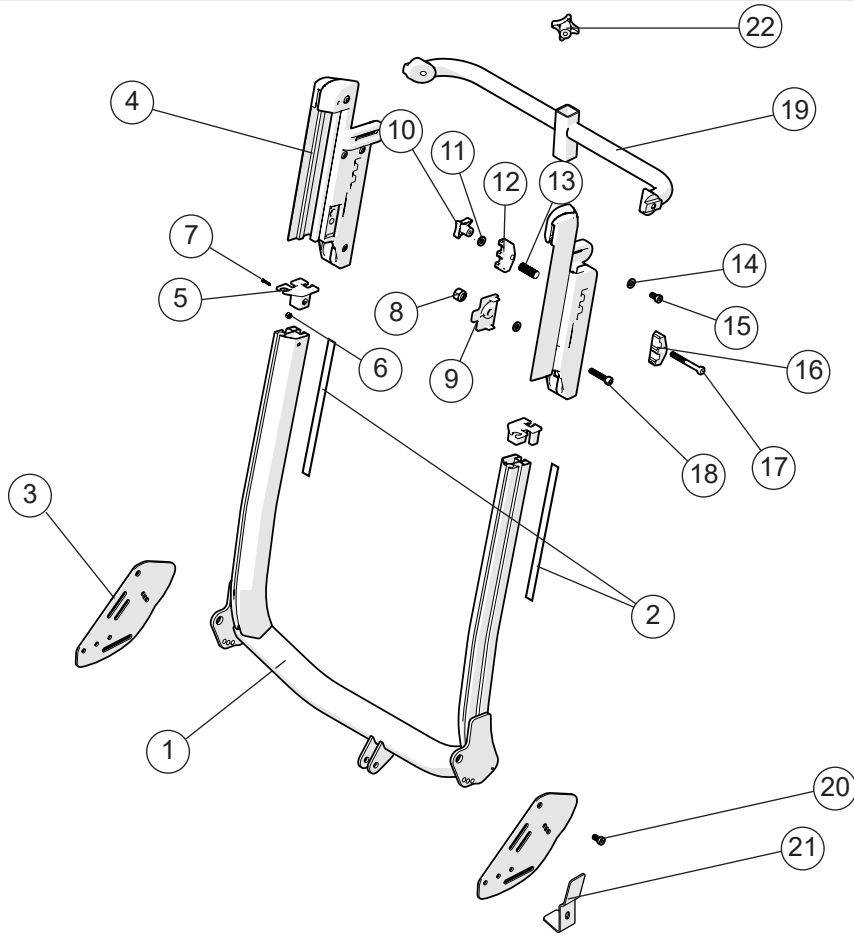
Prio AB

Prio 16"

## Actuator, electric recline function cont.

Pos.	Description	Item. no.	Prio	Prio AB	Prio 16"
19	Plug controlbox electric tilt Prio	51155	●	●	●
20	Battery cabel electric tilt Prio	83167	●	●	●
21	Cabel actuator electric tilt Prio	83164	●	●	●
22	Control box electric tilt Prio	83166	●	●	●
23	Battery electric tilt Prio	83168	●	●	●
24	Bracket electric tilt Prio	83171	●	●	●
25	Bracket handcontrol Prio	28577	●	●	●
26	Handcontroll electric tilt Prio	83169	●	●	●
27	Actuator electric tilt Prio	83165	●	●	●

# Back support



Pos.	Description	Item. no.
1	Back support Prio	
2	Label back support height 55-70 cm	71361
3	Back joint plate riveted right	
	Back joint plate riveted left	
4	Upper part back Prio right	28006-1
	Upper part back Prio left	28006-2
5	Dust cover backrest profile right	51104-1
	Dust cover backrest profile left	51104-2
6	Locking nut M 4 fzb	12026
7	Screw M 4x 12 MRX 4.8 pos	11637
8	Locking nut M8 DIN 985-6 black chrome	12032
9	Locking detail back support height Prio	82938
10	Knob M 5x32	82536
11	Washer NB 5x13x1 Zn	13067
12	Locking plate push handle inner	50998
13	Spring 0.75x5.0x15 mm left wound	82934
14	Washer BRB M 6 black chrome	13030
15	Screw M6x20 MC6LS SW5 Zn/P4 Sv 10.9	11700
16	Locking plate push handle outer	50999
17	Screw M5x55 M6S8.8 2N8/P4	11638
18	Screw M8x35 MC6LS Fe/Zn8/P4	11677
14-15, 19, 22	Head support bracket B40 cpl	28650
	Head support bracket B45 cpl	28651
	Head support bracket B50 cpl	28652
	Head support bracket B55 cpl	28653
20	Screw M8x20 K6S 10.9 xink plated	11704
21	Holder sideguard	28460
22	Knob M8x14	400118

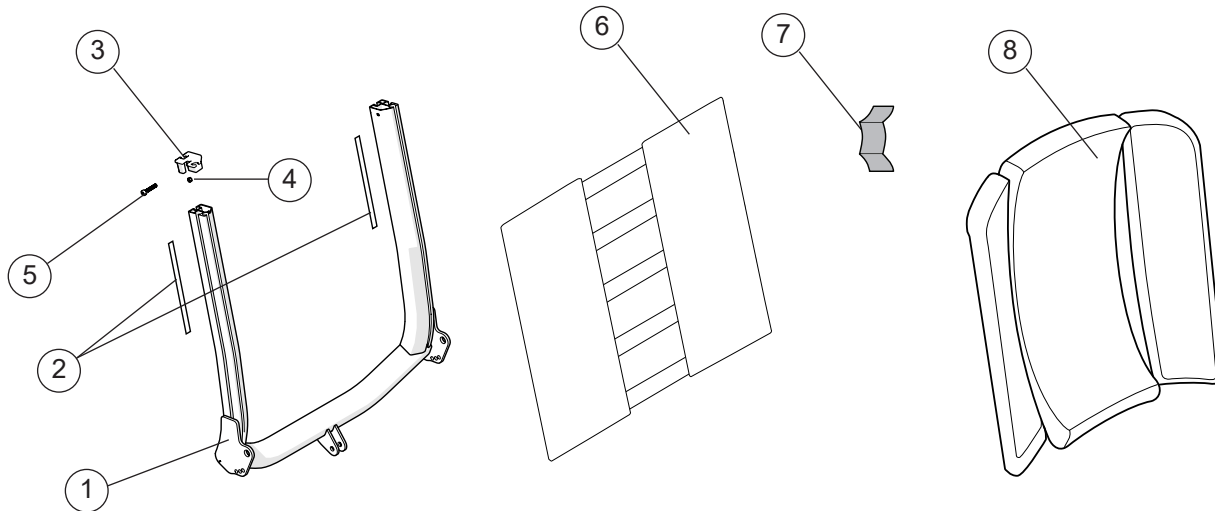
Prio

Prio AB

Prio 16"

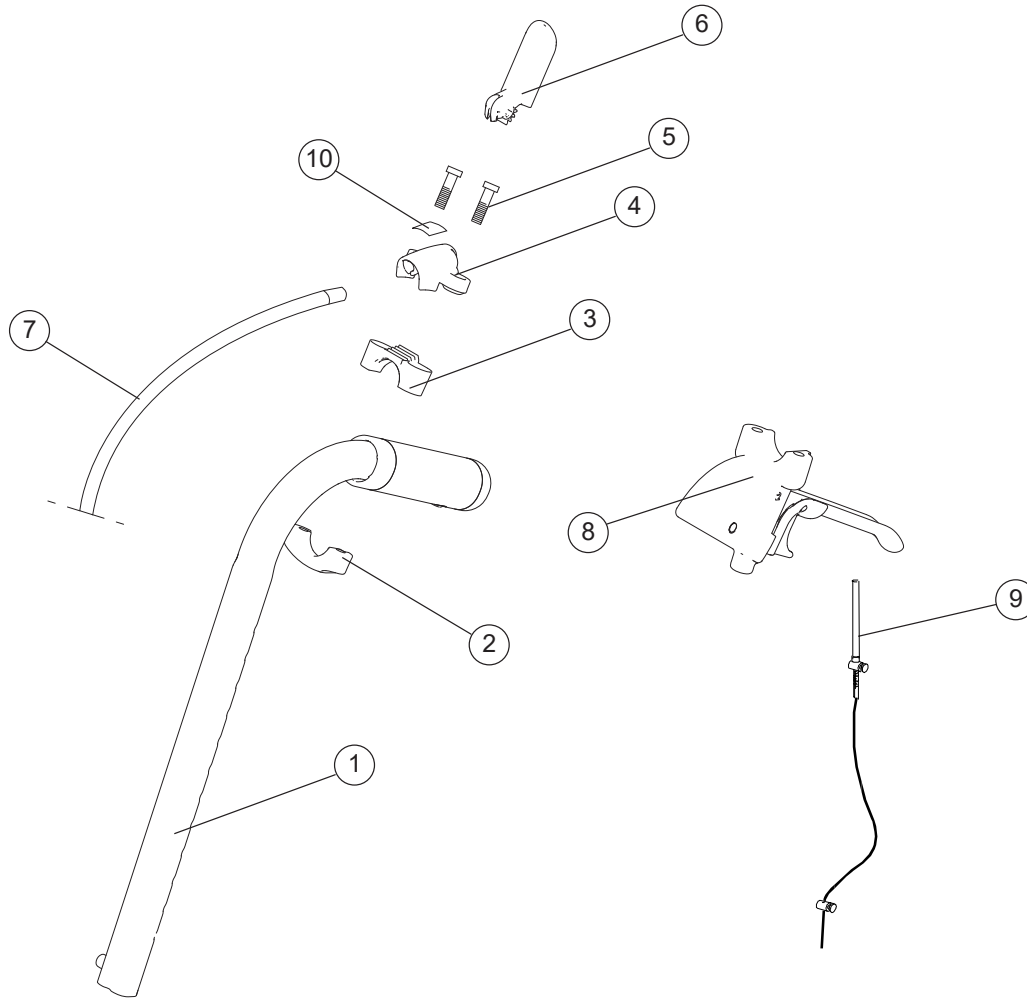


# Back support 3D



Pos.	Description	Item. no.	Prio	Prio AB	Prio 16"
1-6, 8	Back support 3D Prio 40	28026	●	●	●
	Back support 3D Prio 45	28027	●	●	●
	Back support 3D Prio 50	28028	●	●	●
	Back support 3D Prio 55	28029	●	●	●
1	Back support Prio 3D mod 2 B40	28291-01	●	●	●
	Back support Prio 3D mod 2 B45	28292-01	●	●	●
	Back support Prio 3D mod 2 B50	28293-01	●	●	●
	Back support Prio 3D mod 2 B55	28294-01	●	●	●
	Back support Prio hjb mod 2 B40	28295-01	●	●	●
	Back support Prio hjb mod 2 B45	28296-01	●	●	●
	Back support Prio hjb mod 2 B50	28297-01	●	●	●
	Back support Prio hjb mod 2 B55	28298-01	●	●	●
2	Label back support height 45-60 cm	71885	●	●	●
3	Dust cover backrest profile right	51104-1	●	●	●
	Dust cover backrest profile left	51104-2	●	●	●
4	Locking nut M 4 fzb	12026	●	●	●
5	Screw M 4x 12 MRX 4.8 pos	11637	●	●	●
6	Back support upholstery 3D Prio 40	63263-60	●	●	●
	Back support upholstery 3D Prio 45	63264-60	●	●	●
	Back support upholstery 3D Prio 50	63265-60	●	●	●
	Back support upholstery 3D Prio 55	63266-60	●	●	●
7	Attachment cover 2 pcs	28611	●	●	●
8	Back support cushion 3D Prio 40 plush	63267-60	●	●	●
	Back support cushion 3D Prio 45 plush	63268-60	●	●	●
	Back support cushion 3D Prio 50 plush	63269-60	●	●	●
	Back support cushion 3D Prio 55 plush	63270-60	●	●	●

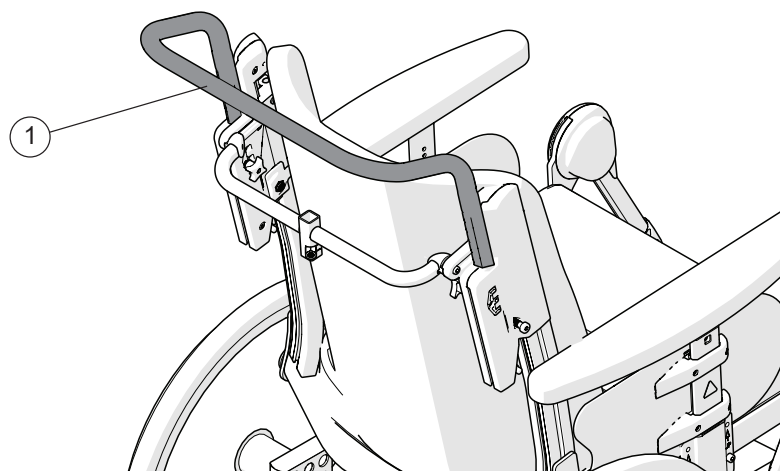
# Push handles



Pos.	Description	Item no.
1-7	Push handle seat angle adj	28220-01
	Push handle back tilt controls	28219-01
1-9	Push handle seat tilt brake controls	28222-01
	Push handle back tilt brake controls	28221-01
1	Push handle	27588-01
2	Attachment drum brake Prio	51050
3	Lower attachment wire control	51034
4	Upper attachment wire control	51032
5	Screw DG50 x 30 WN	11655
6	Control Prio	51033
7	Wire back support angle	83303
	Wire seat tilt	83302
8	Brake handle Prio compl (see section "Drum brake")	82585
9	Wire kit drum brake (see section "Drum brake")	82856
10	Label tilt controls	71373
	Label back support angle controls	71374

Prio  
Prio AB  
Prio 16"

## Bow handle



Pos.	Description	Item no.
1	Bow handle 40 cm height adj compl	25580-01
	Bow handle 45 cm height adj compl	25582-01
	Bow handle 50 cm height adj compl	26064-01
	Bow handle 55 cm height adj compl	26069-01

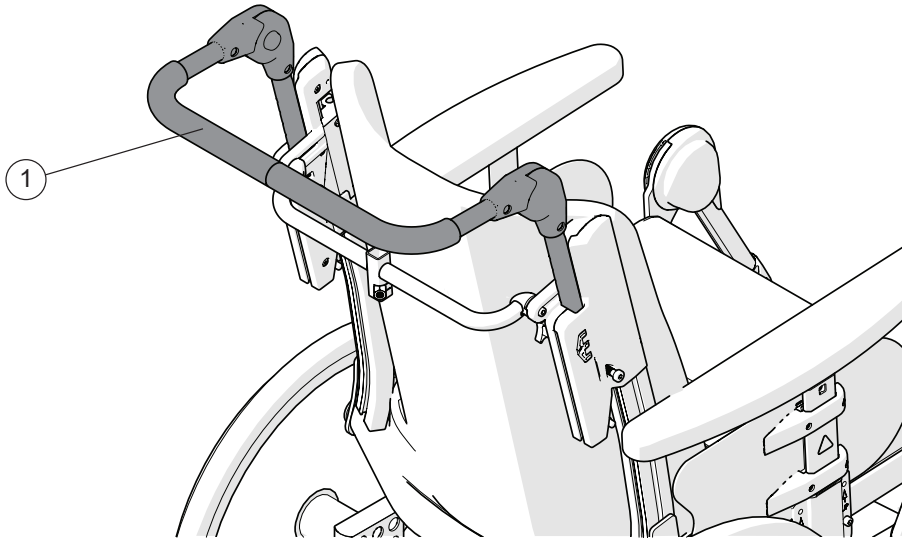
Prio

Prio AB

Prio 16"

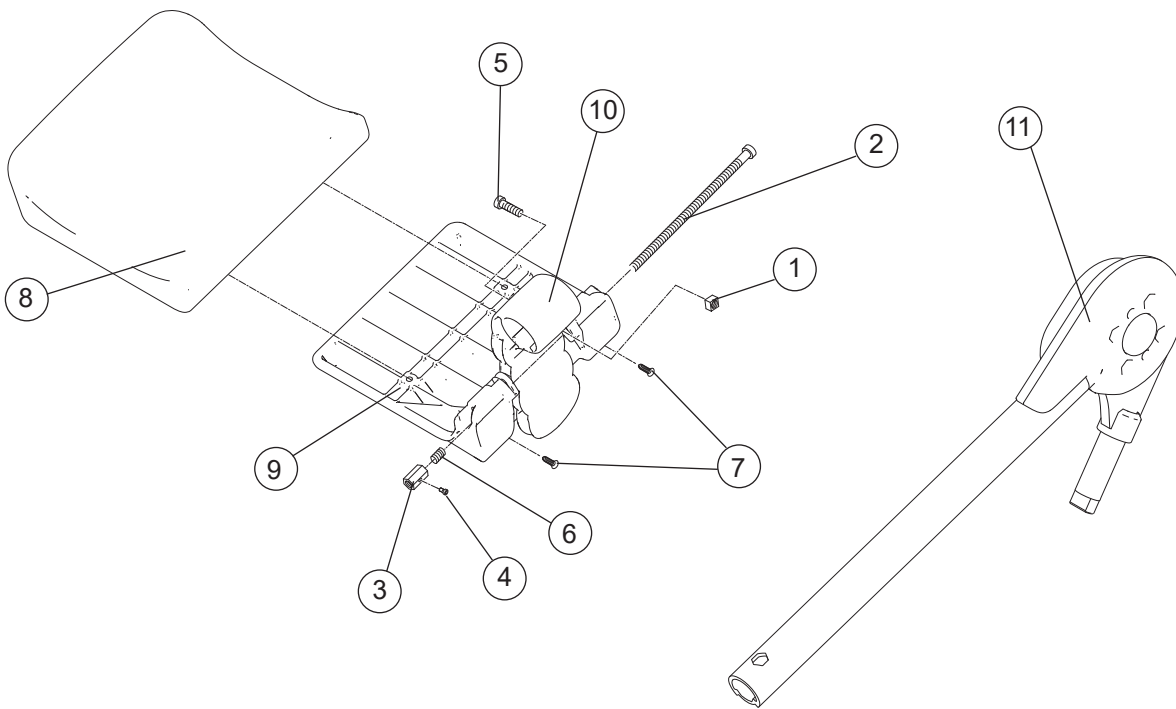
●	●	●
●	●	●
●	●	●
●	●	●

## Bow handle angle adjustable



Pos.	Description	Item no.	Prio	Prio AB	Prio 16"
1	Bow handle angle adj 40 cm	27163	●	●	●
	Bow handle angle adj 45 cm	27165	●	●	●
	Bow handle angle adj 50 cm	27167	●	●	●

# Leg support elevating

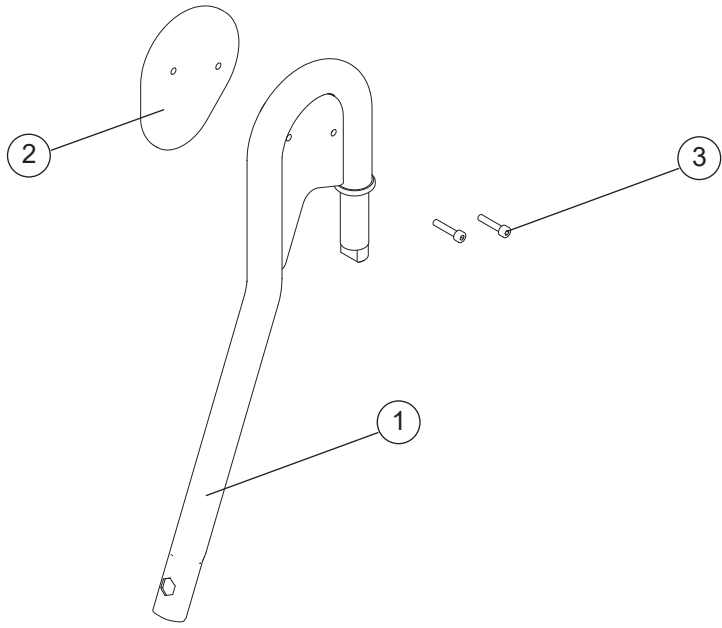


Pos.	Description	Item no.	Prio	Prio AB	Prio 16"
1	Nut attachment calf support		●	●	●
2	Screw MC6S M6 x120 10.9		●	●	●
3	Nut M6 calf support		●	●	●
4	Screw M 4x 10 MC6S 8.8		●	●	●
5	Screw M 6x 20 MC6S 8.8		●	●	●
6	Spring		●	●	●
7	Screw B 8x19 RXS/A2 ph st 4.2	11064	●	●	●
8	(Pad calf support Prio 40 grey hygiene)		●	●	●
9	(Calf support)		●	●	●
10	(Attachment calf support)		●	●	●
1-10	Calf support cpl 40 cm grey hygiene	27733-65	●	●	●
	Calf support cpl 45 cm grey hygiene	27734-65	●	●	●
	Calf support cpl 50 cm grey hygiene	27735-65	●	●	●
	Calf support cpl 55 cm grey hygiene	27736-65	●	●	●

## Leg support elevating

			Prio	Prio AB	Prio 16"
Pos.	Description	Item no.			
11	Leg support elevating right	27730-01-1	●	●	●
	Leg support elevating left	27730-01-2	●	●	●
1-11	Leg support elevating Prio 40 cm green hygiene complete right	27857-64-1	●	●	●
	Leg support elevating Prio 40 cm green hygiene complete left	27857-64-2	●	●	●
	Leg support elevating Prio 40 cm grey hygiene complete right	27857-65-1	●	●	●
	Leg support elevating Prio 40 cm grey hygiene complete left	27857-65-2	●	●	●
	Leg support elevating Prio 45 cm green hygiene complete right	27858-64-1	●	●	●
	Leg support elevating Prio 45 cm green hygiene complete left	27858-64-2	●	●	●
	Leg support elevating Prio 45 cm grey hygiene complete right	27858-65-1	●	●	●
	Leg support elevating Prio 45 cm grey hygiene complete left	27858-65-2	●	●	●

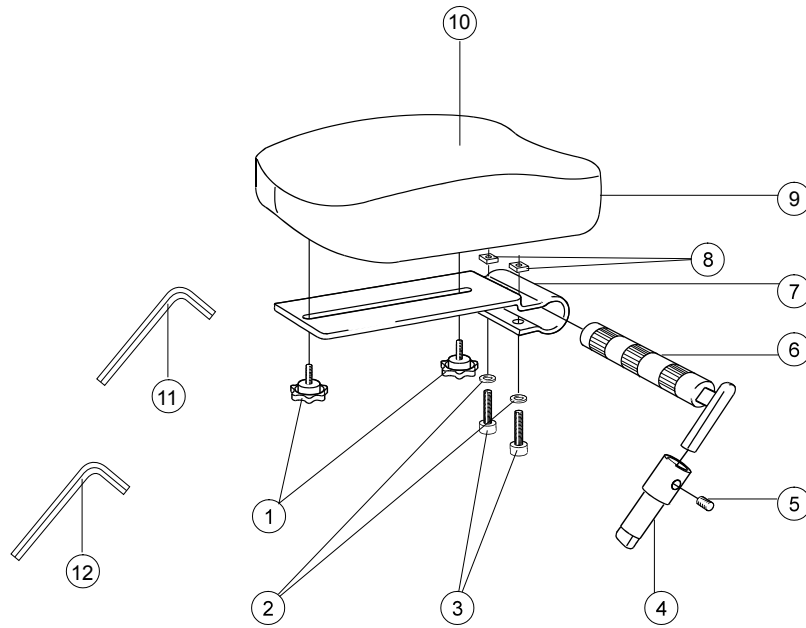
# Leg support fixed



Pos.	Description	Item no.
1	Legrest fixed cpl right	27729-1
	Legrest fixed cpl left	27729-2
2	Knee pad pur cpl Prio	82666
3	Screw M 5x 20 MF6S	11662

Prio	Prio AB	Prio 16"
●	●	●
●	●	●
●	●	●

# Amputee leg support

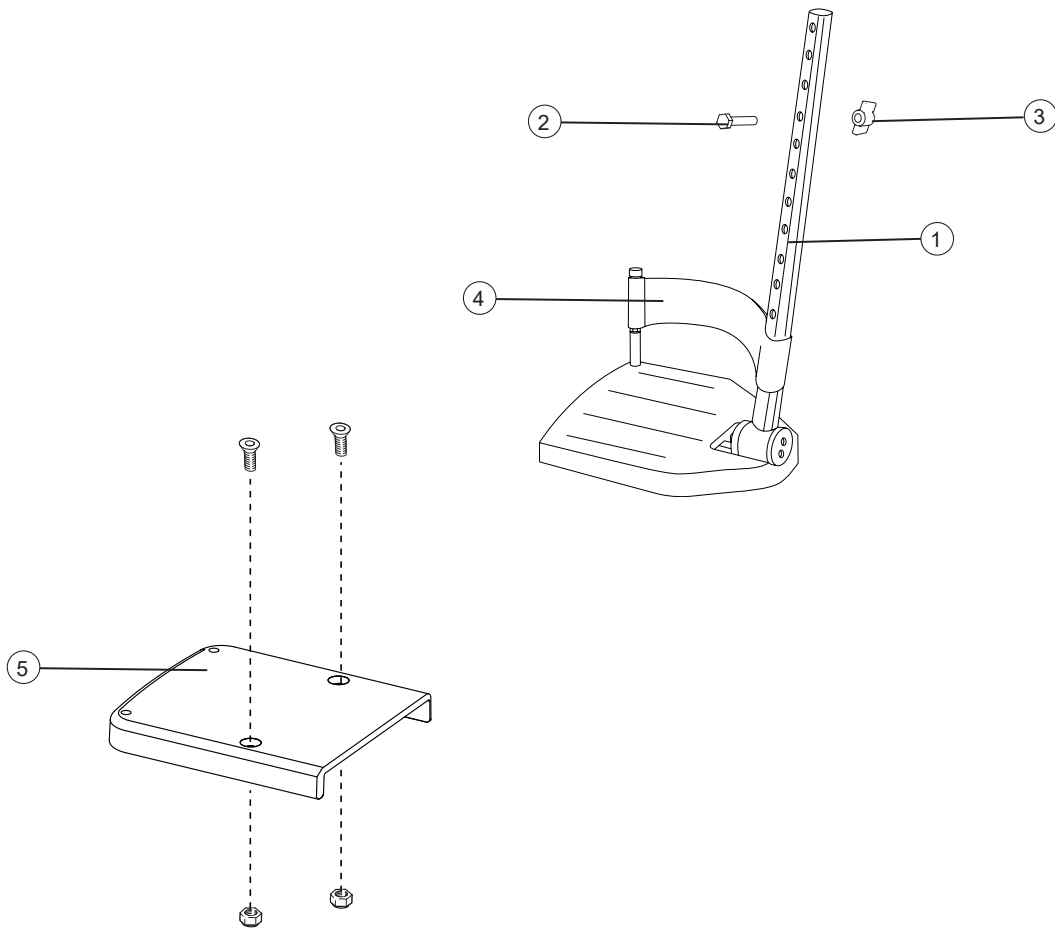


Prio  
Prio AB  
Prio 16"

Pos.	Description	Item no.			
1	Knob M 5x15 leg support amputee	80807	●	●	●
2	Washer BRB 8.4/A2 stainless	13011	●	●	●
3	Screw M 8x 35 MC6S	11276	●	●	●
4	Locking tube for leg support amputee	25518-01	●	●	●
5	Stop screw M 8x 8 black	11388	●	●	●
6	Axle leg support amputee compl	25519-01	●	●	●
7	Attachment calf support leg support amputee	80809	●	●	●
8	Square nut high M8	12056	●	●	●
9	Support pad leg support amputee dark grey	62335-60	●	●	●
	Support pad leg support Dartex	62335-63	●	●	●
	Support pad leg support amputee ri XL dark grey	62452-60-1	●	●	●
	Support pad leg support amputee le XL dark grey	62452-60-2	●	●	●
	Support pad leg support amputee ri XL dartex	62452-63-1	●	●	●
	Support pad leg support amputee le XL dartex	62452-63-2	●	●	●
10	Cover leg support amputee dark grey	62893-60	●	●	●
	Cover leg support amputee Dartex	62893-63	●	●	●
	Cover leg support amputee XL ri dark grey	62450-60	●	●	●
	Cover leg support amputee XL ri Dartex	62450-63	●	●	●
	Cover leg support amputee XL le dark grey	62761-60	●	●	●
	Cover leg support amputee XL le Dartex	62761-63	●	●	●
11	Allen key NV 4 DIN 911	80141	●	●	●
12	Allen key Nv 6 180 mm	82625	●	●	●
1-12	Amputee support compl Dark grey	25516-60	●	●	●
	Amputee support compl Dartex	25516-63	●	●	●
	Amputee support XL ri compl dark grey	26210-60-1	●	●	●
	Amputee support XL le compl dark grey	26210-60-2	●	●	●
	Amputee support XL right compl Dartex	26210-63-1	●	●	●
	Amputee support XL left compl Dartex	26210-63-2	●	●	●

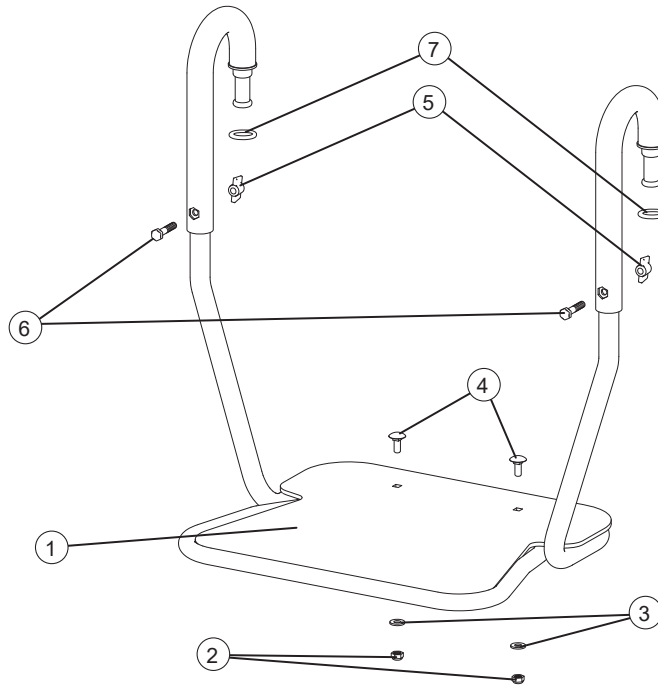


# Foot support



Pos.	Description	Item. no.	Prio	Prio AB	Prio 16"
1-3	Foot support depth 13 cm 40 cm right long attachment tube	25650-1	●	●	●
	Foot support depth 13 cm 40 cm left long attachment tube	25650-2	●	●	●
	Foot support depth 13 cm 45 cm right long attachment tube	25737-1	●	●	●
	Foot support depth 13 cm 45 cm left long attachment tube	25737-2	●	●	●
	Foot support depth 13 cm 50 cm right long attachment tube	25652-1	●	●	●
	Foot support depth 13 cm 50 cm left long attachment tube	25652-2	●	●	●
	Foot support depth 13 cm 40 cm right medium attachment tube	25644-1	●	●	●
	Foot support depth 13 cm 40 cm left medium attachment tube	25644-2	●	●	●
	Foot support depth 13 cm 45 cm right medium attachment tube	25736-1	●	●	●
	Foot support depth 13 cm 45 cm left medium attachment tube	25736-2	●	●	●
	Foot support depth 13 cm 50 cm right medium attachment tube	25646-1	●	●	●
	Foot support depth 13 cm 50 cm left medium attachment tube	25646-2	●	●	●
2	Screw M6x 30 M6S	11555	●	●	●
3	Wing nut 26-M 6	80847	●	●	●
4	Heel strap compl	24458	●	●	●
5	Foot support widened 52,5-60 cm compl	28443	●	●	●

## Foot support one piece

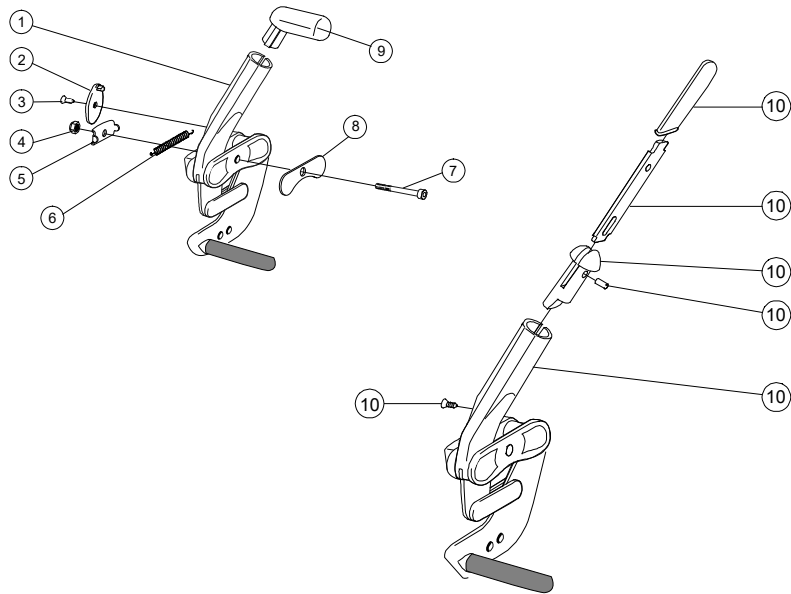


Pos.	Description	Item no.
1-8	Foot support one piece=40	28342
	Foot support one piece=45	28343
	Foot support one piece=50	28344
	Foot support one piece=55	28345
2	Locking nut M 6 fzb	12017
3	Washer BRB 6x3x10x1.5	13080
4	Carriage bolt m6x16	11659
5	Wing nut WN 314.1	80847
6	Screw M 6x30 M6S 8.8	11555
7	O-ring 12x3 NBR70	82805
8	Damper adhesive 21x3	51064

Prio  
 Prio AB  
 Prio 16"

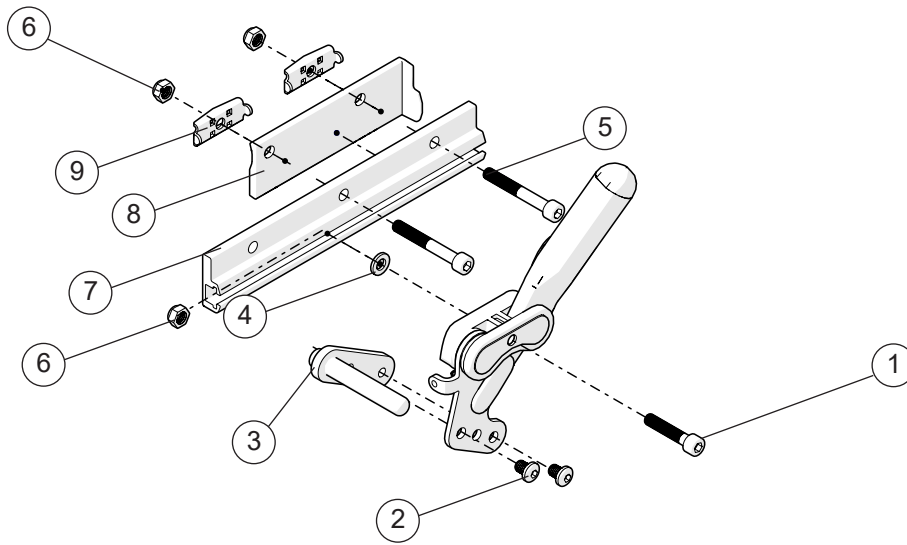
●	●	●
●	●	●
●	●	●
●	●	●
●	●	●
●	●	●
●	●	●
●	●	●

# User brake



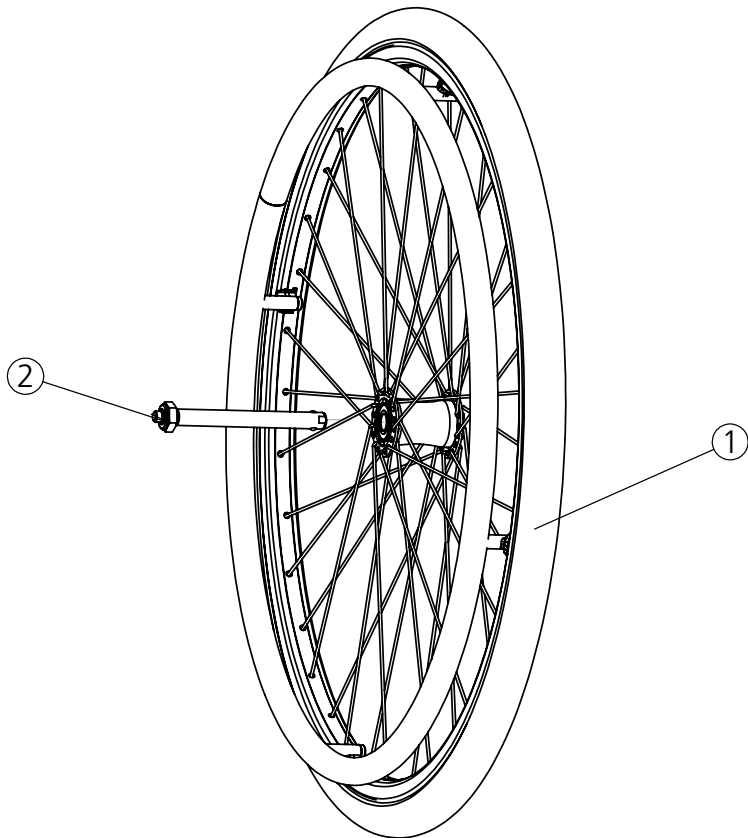
Pos.	Description	Item no.	Prio	Prio AB	Prio 16"
1-9	User brake angle red handle R Prio	27951-1	●	●	
	User brake angle red handle L Prio	27951-2	●	●	
	User brake angle black handle R Prio	27894-1	●	●	
	User brake angle black handle L Prio	27894-2	●	●	
2	Stop detail brake Cross mod new	50373	●	●	
3	Screw B 6 3.5x 9.5 FXS black	11384	●	●	
4	Locking nut M 6 zink plated	12017	●	●	
5	Washer inner brake mod 3	82564	●	●	
6	Spring for brake Cross	80796	●	●	
7	Screw M6x 60 MC6S Zn8/P4	11408	●	●	
8	Washer outer brake mod 3	82575	●	●	
9	Plug brake Cross red	51012	●	●	
	Plug brake Cross black	50395	●	●	
10	Brake lever extension Cross compl	25515	●	●	
1-8,10	User brake extension handle R Prio	27895-1	●	●	
	User brake extension handle L Prio	27895-2	●	●	

# Brake adapter



Pos.	Benämning	Art. nr.	Prio	Prio AB	Prio 16"
1-9	Adapter brake Prio 20	28404	●	●	
1	Screw M6x45 MC6S 12.9 black		●	●	
2	Screw K6S M6x8 10.9 black		●	●	
3	Adapter brake arm Prio 20-22		●	●	
2-3	Adapter brake Prio 22	28403	●	●	
4	Washer 6.4x16x1,6		●	●	
5	Screw M6x 30 MC6S		●	●	
6	Locking nut M6 DIN 985-6		●	●	
7	Attachment brake		●	●	
8	Spacer brake adapter right Prio	51148-1	●	●	
	Spacer brake adapter left Prio	51148-2	●	●	
9	Washer inner brake mod 3	82564	●	●	

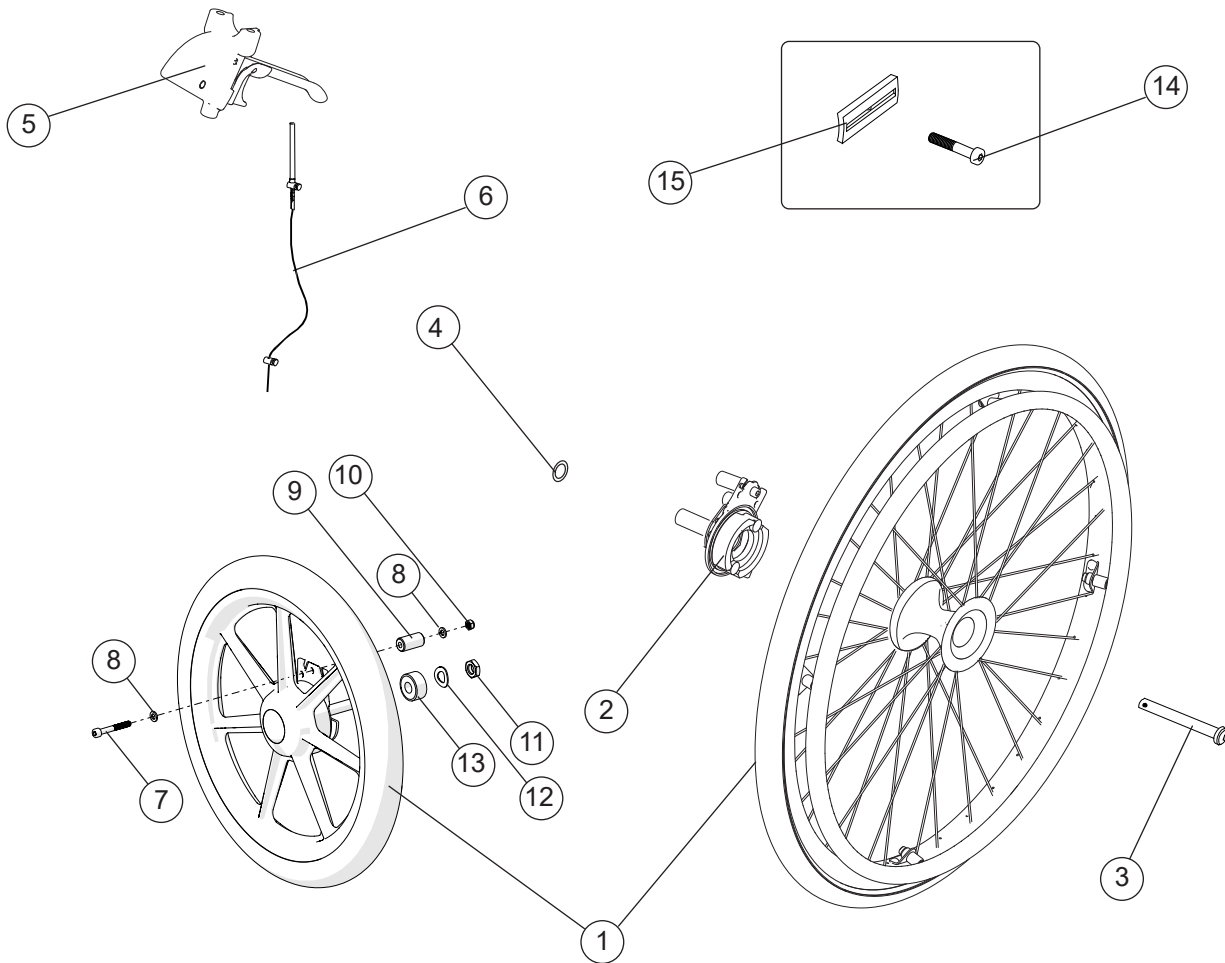
# Rear wheel



Pos.	Description	Item no.
1	Rear wheel 20 solid/alu M100	82486
	Rear wheel 22 solid/alu M100	82485
	Rear wheel 24 solid/alu M100	82484
2	Axle QR D12 M100 rear wheel	82483

Prio	Prio AB	Prio 16"
●	●	
●	●	
●	●	
●	●	

# Attendant brake

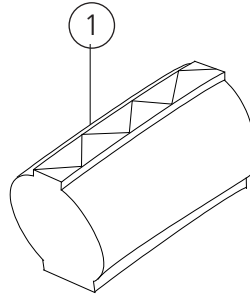


Pos.	Description	Item no.
1	Rear wheel 20 attendant brake	81337
	Rear wheel 22 attendant brake	81339
	Rear wheel 24 attendant brake	81346
	Wheel 16 solid Transit right	83283
	Wheel 16 solid Transit left	83284
2	Brake shoe kit attendant brake Prio right	82822
	Brake shoe kit attendant brake Prio left	82823
3	Qr axle attendant brake	81325
4	Schnorr washer 17x24x1.3	13084
5	Brake handle Prio compl	82585
6	Wire kit attendant brake	82856
7	Screw M6x 45 MC6S 12.9 black	
8	Washer brb 11.8x6.5x1.5	
9	Spacer 6.5x15.9x30	
10	Nut M6 Zn8/P4 DIN 985-6	
11	Nut M12 FZB DIN 439B	12078
12	Spring washer 13x24x1.2 DIN 137B fzb	
13	Spacer 12x24x10	
14	Screw M6x65 MC6S 12.9 fzb	
15	Adapter brake 5 mm	
2-6	Assembly kit attendant brake Prio 20", 22", 24"	28423
5-13	Assembly kit 16"	28459
	Push handles, see section "Push handles"	

Prio  
Prio AB  
Prio 16"

	●	●	
	●	●	
	●	●	
			●
			●
	●	●	
	●	●	
			●
			●
			●
	●	●	
	●	●	
			●

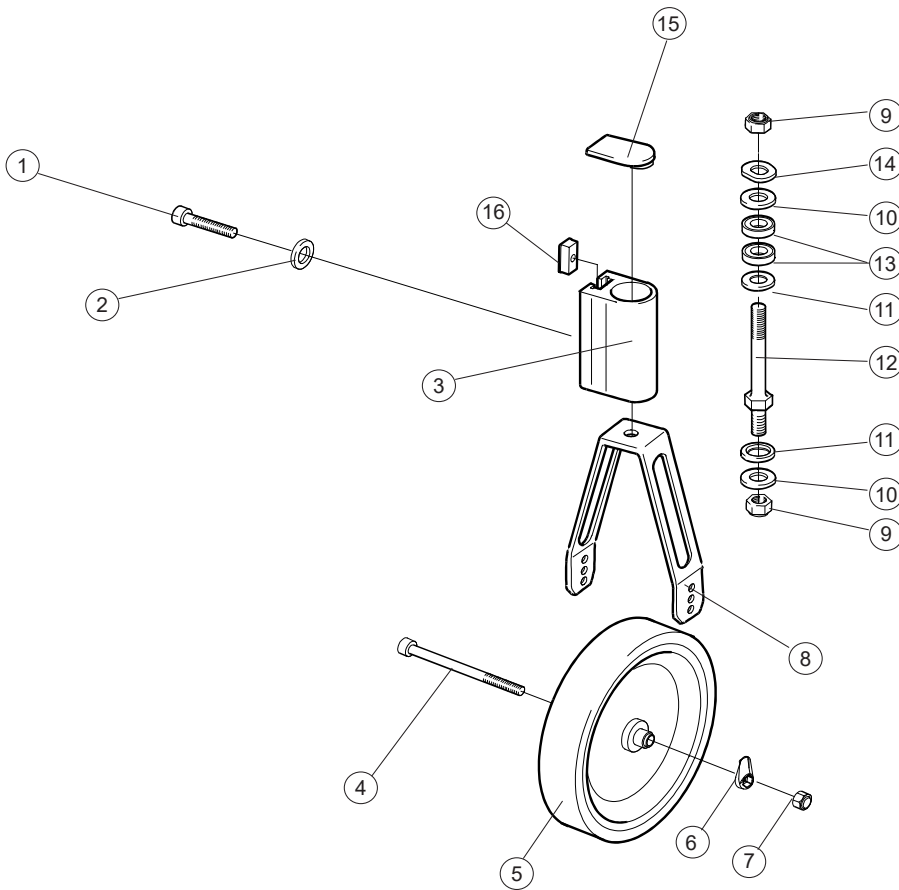
# Tyre and innertube



Pos.	Description	Item no.			
1	Tyre 20" solid	80787	●	●	
	Tyre 22" solid	81384	●	●	
	Tyre 24" solid	80768	●	●	

Prio  
 Prio AB  
 Prio 16"

# Castor

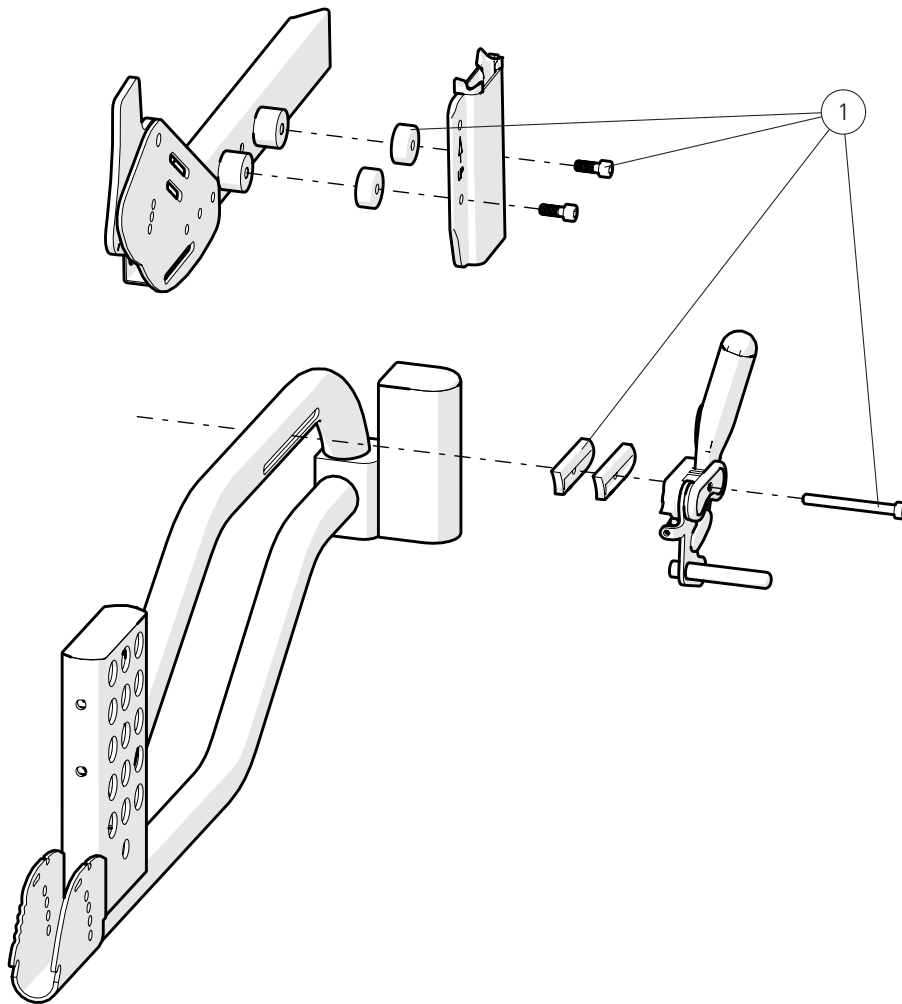


Pos.	Benämning	Art. nr.			
1	Screw M8x1x40 MC6S 12.9 black	11305	●	●	●
2	Locking washer	13092	●	●	●
3	Front fork housing 6063 HIT T6 4104-06	80606	●	●	●
	Front fork housing widened	80899	●	●	●
4	Screw M 6x 75 MC6S 12.9 black	11338	●	●	●
5	Wheel				
6	Cover wheel axle PA 6	51135	●	●	●
7	Locking nut M6 DIN 985-6 black	12035	●	●	●
4-7	Castor wheel 6 150x30 solid soft	28216	●	●	●
	Castor wheel 6,5 165x30 solid hard	28396	●	●	●
	Castor wheel 7 175x45 solid soft	27867	●	●	●
	Castor wheel 8 200x35 solid soft	28217	●	●	●
	Castor wheel 8 200x50 solid soft	28218	●	●	●
8	Front fork std				
	Front fork short				
8-12	Front fork std incl shaft	28422	●	●	●
	Front fork short incl shaft	28421	●	●	●
9	Locking nut low black	12077	●	●	●
10	Washer BRB 13.5 black	13031	●	●	●
11	Washer BRB 13.5 black with chamfer	13032	●	●	●
12	Shaft front fork steel	20526	●	●	●
13	Ball bearing EE4 2RS	80244	●	●	●
14	Washer 13x24x1.2 DIN 137B zink plated	13040	●	●	●
15	Cover front fork housing	50224	●	●	●
16	Slot nut	82922	●	●	●

Prio  
Prio AB  
Prio 16"



# Widening kit



Pos.	Description	Item no.
1	Widening kit 25 mm	27892

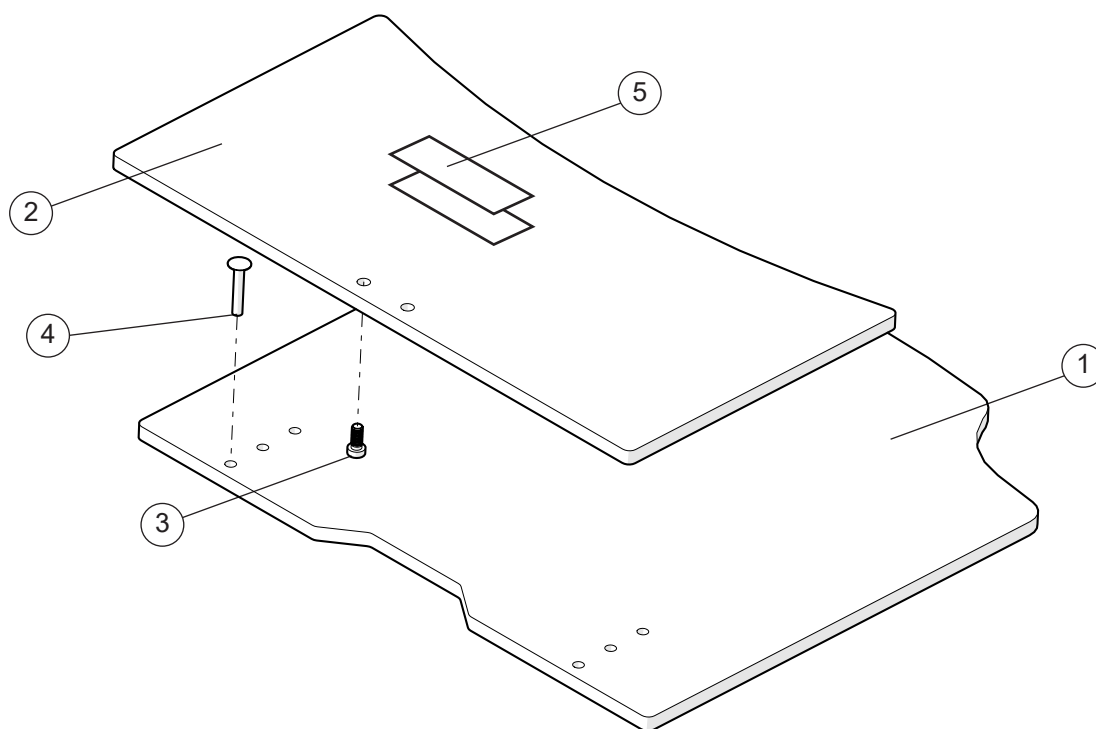
Prio

Prio AB

Prio 16"



## Solid seat



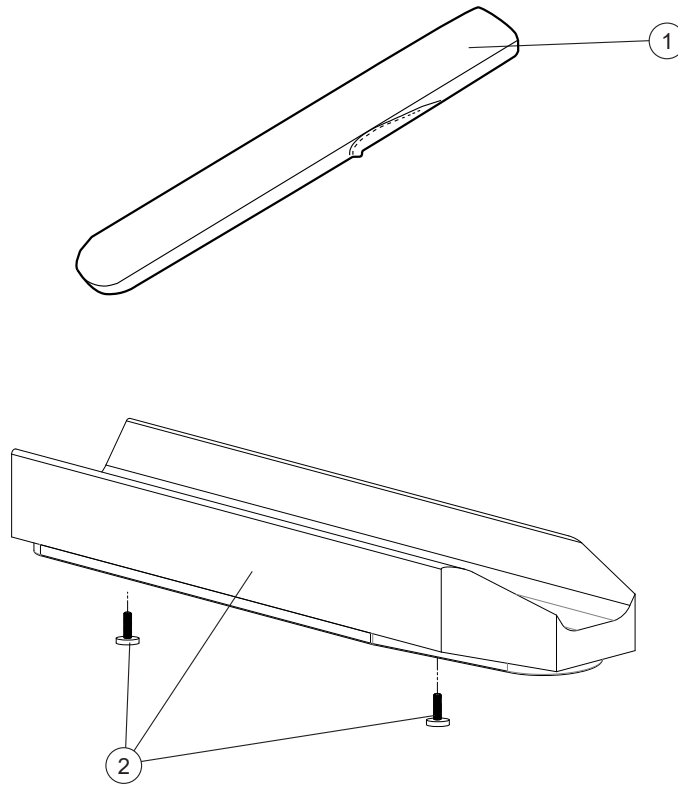
Pos.	Description	Item no.
1	Seat solid lower 40 cm Prio	82777
	Seat solid lower 45 cm Prio	82778
	Seat solid lower 50 cm Prio	82779
	Seat solid lower 55 cm Prio	82780
	Seat solid lower 40 cm Prio plastic	51121
	Seat solid lower 45 cm Prio plastic	51122
	Seat solid lower 50 cm Prio plastic	51123
	Seat solid lower 55 cm Prio plastic	51124
2	Seat solid upper cpl 40 short Prio	82952
	Seat solid upper cpl 45 short Prio	82953
	Seat solid upper cpl 50 short Prio	82954
	Seat solid upper cpl 55 short Prio	82955
	Seat solid upper cpl 40 long Prio plastic	51125
	Seat solid upper cpl 45 long Prio plastic	51126
	Seat solid upper cpl 50 long Prio plastic	51127
	Seat solid upper cpl 55 long Prio plastic	51128
3	Screw M6x 14 MC6LS SW5 Zn8/P4	11539
4	Fixing pin	51114
5	Velcro kit	28183

Prio  
 Prio AB  
 Prio 16"

●	●	●
●	●	●
●	●	●
●	●	●
●	●	●
●	●	●
●	●	●
●	●	●
●	●	●
●	●	●
●	●	●
●	●	●
●	●	●
●	●	●
●	●	●



# Arm support



Pos.	Description	Item no.
1	Cover arm support long	62283-60
	Cover arm support gel long	26241-60
	Cover arm support long Dartex	62283-63
	Cover arm support gel long Dartex	26241-63
2	Arm support pad soft wide incl screw	28640

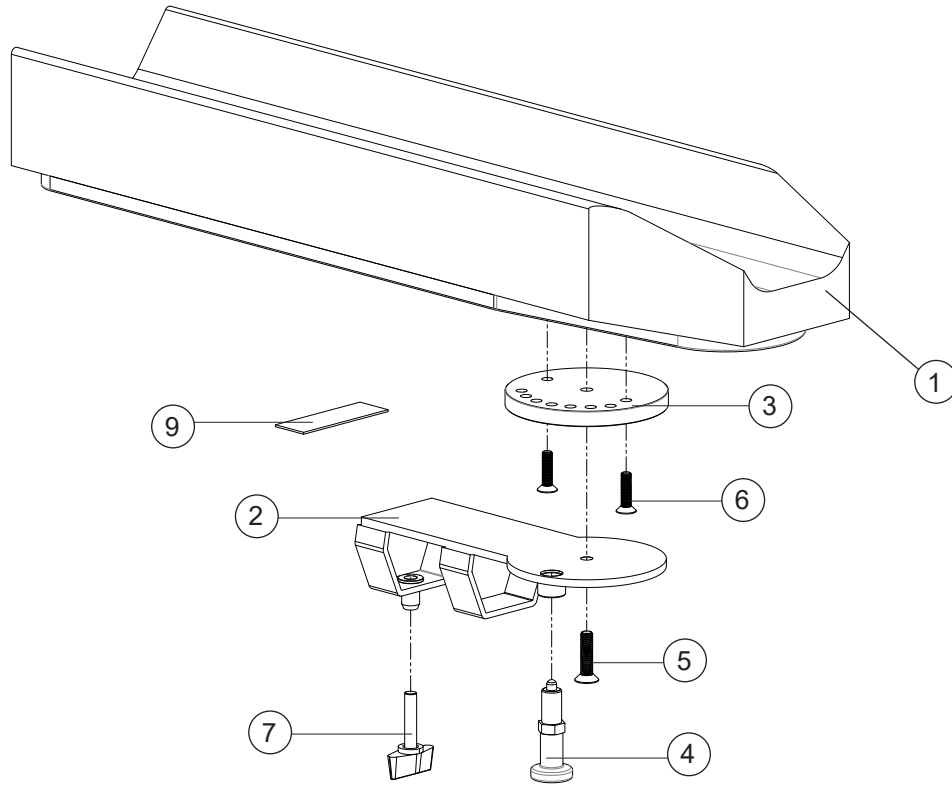
Prio

Prio AB

Prio 16"



# Arm support Hemi

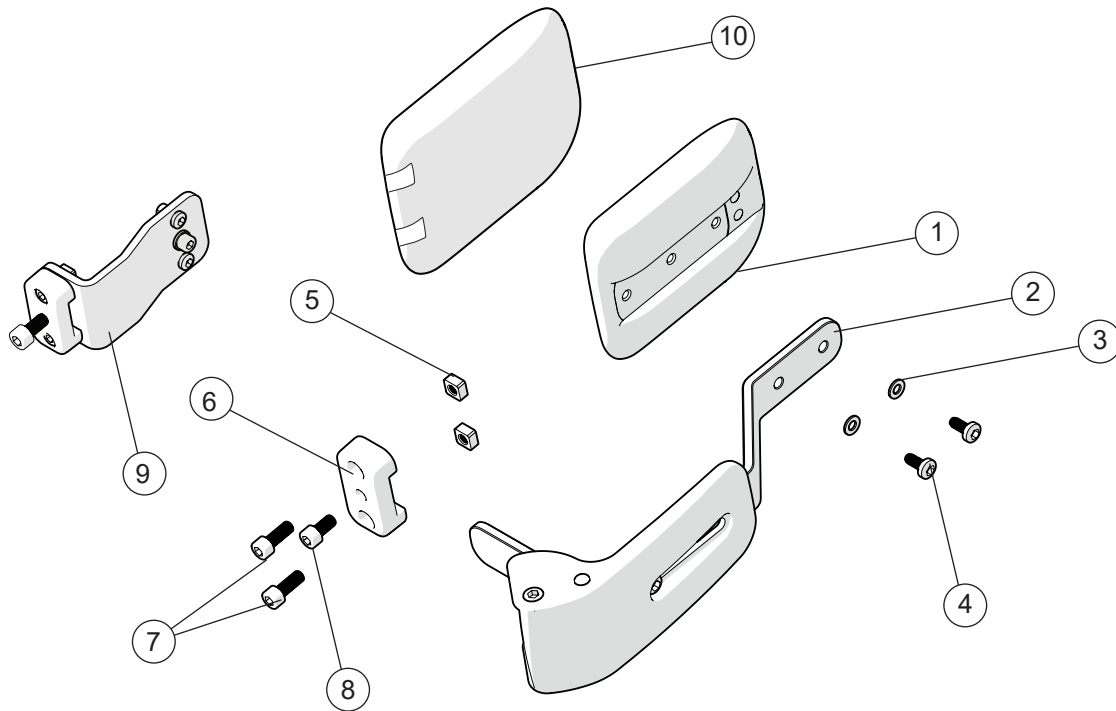


Pos.	Description	Item. no.
1-7	Arm support pad hemi right	25770-60-1
	Arm support pad hemi left	25770-60-2
1	Arm support pad hemi	62910-60
2	Attachment arm support hemi right	27265-1
	Attachment arm support hemi left	27265-2
3	Turntable right	27280-1
	Turntable left	27280-2
4	Adjusting bolt M10x1	82338
5	Screw M6x25 MF6S svkr esloc	11430
6	Screw M5x20 MF6S black chrome	11526
7	Handle M6x30	82033

Prio  
Prio AB  
Prio 16"

●	●	●
●	●	●
●	●	●
●	●	●
●	●	●
●	●	●
●	●	●
●	●	●

# Trunk support

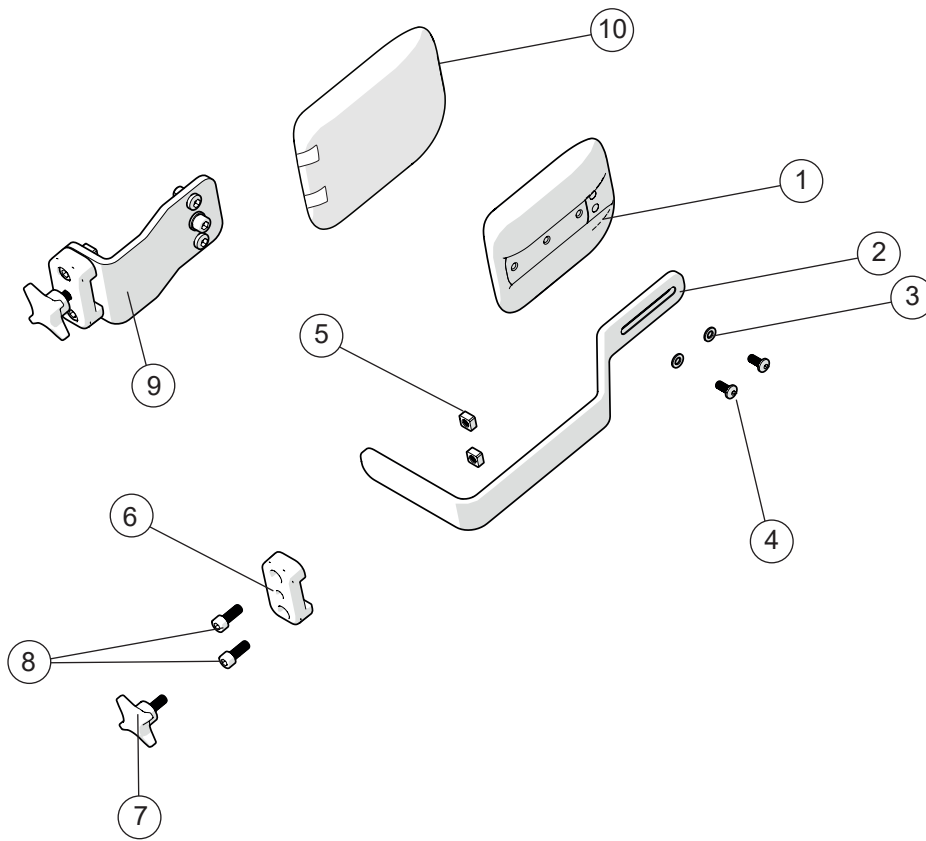


Pos.	Description	Item no.
1-8	Trunk support foldable right	28019-1
	Trunk support foldable left	28019-2
1-4, 9	Trunk support Prio incl attachment right (to ser no. 38A9999)	28141-1
	Trunk support Prio incl attachment left (to ser no. 38A9999)	28141-2
1	Trunk support pad	83005
2	Trunk support arm	
3	Washer 5.3x10x1 BRB DIN 125	13017
4	Screw M 5x 12 K6S 10.9	11208
5	Square nut M6 high ZN8/P4	12058
6	Attachment trunk support	28305-01
7	Screw M6x8 mc6s	11434
8	Screw M6x14 MF6S 10.9	11592
9	Trunk support attachment 3A compl	28146
10	Cover trunk support	28647

Prio  
Prio AB  
Prio 16"

●	●	●
●	●	●
●	●	●
●	●	●
●	●	●
●	●	●
●	●	●
●	●	●
●	●	●
●	●	●

# Trunk support

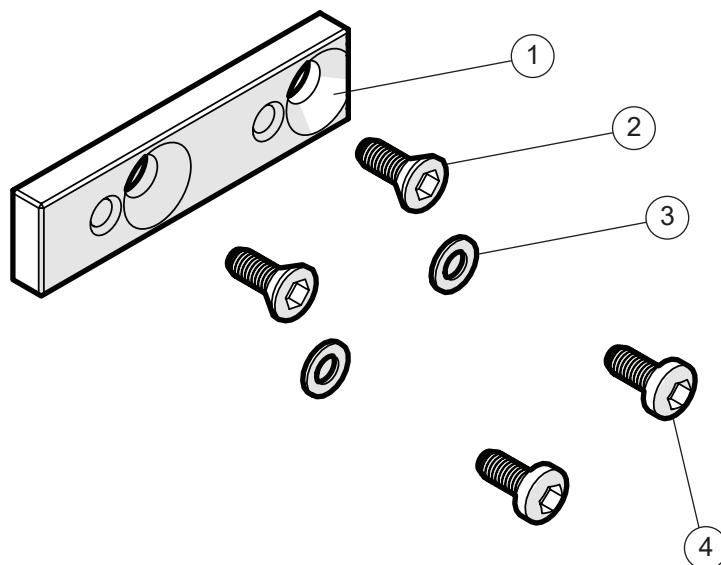


Pos.	Description	Item. no.
1-8	Trunk support Prio incl attachment	28020
1-4, 9	Trunk support Prio incl attachment (to ser no.38A9999)	28145
1	Trunk support pad	83005
2	Trunk support arm	
3	Washer 5.3x10x1 BRB DIN 125	13017
4	Screw M 5x 12 K6S 10.9	11208
5	Square nut M6 high ZN8/P4	12058
6	Attachment trunk support	28305-01
7	Knob 40 M6x17	80297
8	Screw M6x12 mc6s	11577
9	Trunk support attachment 3A compl	28146
10	Cover trunk support	28647

Prio  
Prio AB  
Prio 16"

●	●	●
●	●	●
●	●	●
●	●	●
●	●	●
●	●	●
●	●	●
●	●	●
●	●	●
●	●	●

# Trunk support attachment

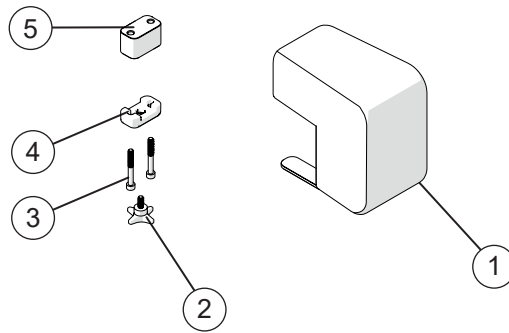


Pos.	Benämning	Art. nr.
1-4	Adapterkit trunk support cushion R82	28240
1	Trunk support adapter	83160
2	Screw	11592
3	Washer 5.3x10x1 BRB fzb DIN 125	13017
4	Screw M 5x 12 K6S 10.9	11208

Prio	Prio AB	Prio 16"
●	●	●
●	●	●
●	●	●
●	●	●
●	●	●



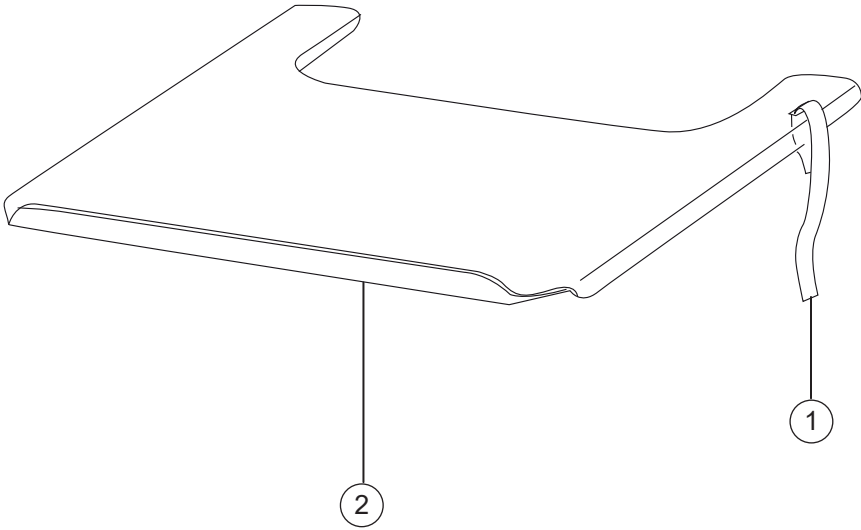
# Leg abduction



Pos.	Description	Item. no.
1-5	Leg abduction compl	28022
1	Leg abduction	28194
2	Knob 40 M6x17	80297
3	Screw	11037
4	Bracket	28305-01
5	Spacer	83042

Prio	Prio AB	Prio 16"
●	●	●
●	●	●
●	●	●
●	●	●
●	●	●

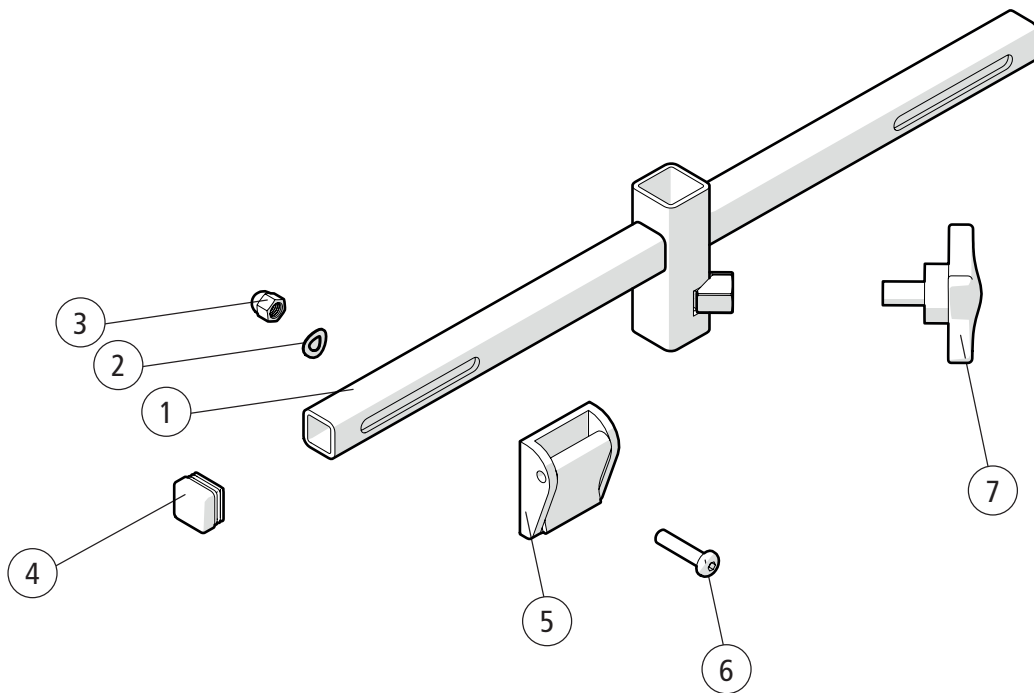
# Tray



	Prio	Prio AB	Prio 16"
	●	●	●
	●	●	●
	●	●	●
	●	●	●

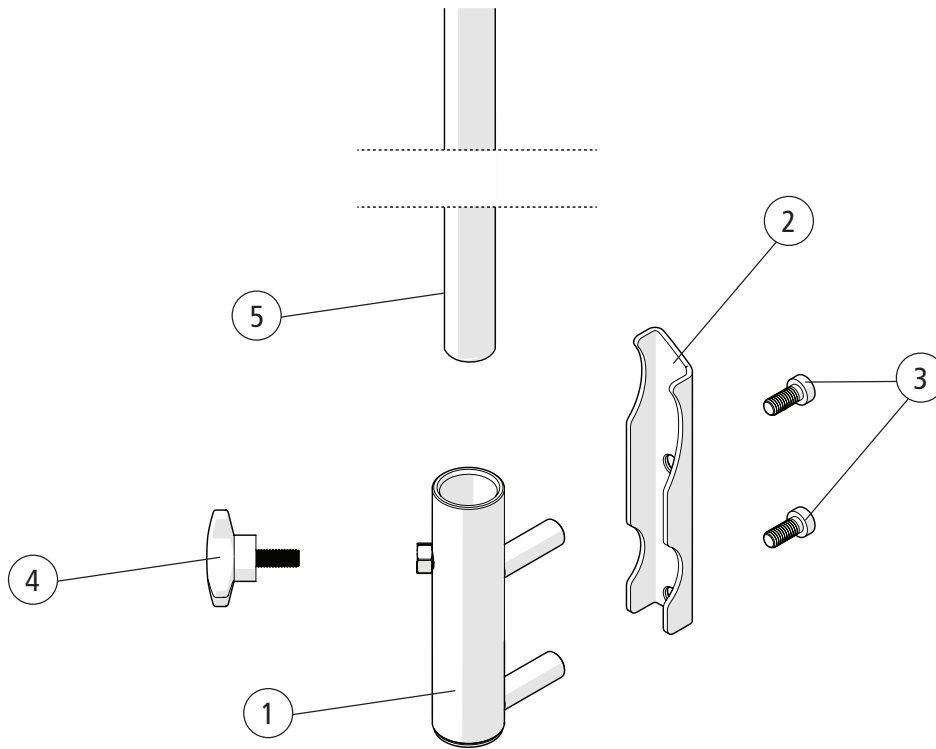
Pos.	Description	Item no.
1	Attachment strap tray	82921
1-2	Tray Prio 40 cm table width 57.5 cm	27971
	Tray Prio 45 cm table width 62.5 cm	27972
	Tray Prio 50 cm table width 67.5 cm	27973
	Tray Prio 55 cm table width 72.5 cm	27974

# Attachment harness



Pos.	Description	Item. no.	Prio	Prio AB	Prio 16"
1-7	Attachment harness cpl	28186	●	●	●
1	Attachment harness		●	●	●
2	Washer D10x5.3x0.5	13017	●	●	●
3	Domed nut M5	12167	●	●	●
4	End plug	50972	●	●	●
5	Fix lock 25 mm	310445025	●	●	●
6	Screw M 5x 22 MK6S fzb	11075	●	●	●
7	Knob	400118	●	●	●

# Drip stand



Pos.	Description	Item. no.
1-5	Drip stand cpl	28341
1-4	Attachment	28318
1	Drip stand welded Prio	
2	Bracket	
3	Screw M 6x 14 MC6LS SW5 Zn8/P4	11539
4	Knob	80297
5	Hook drip stand	83053

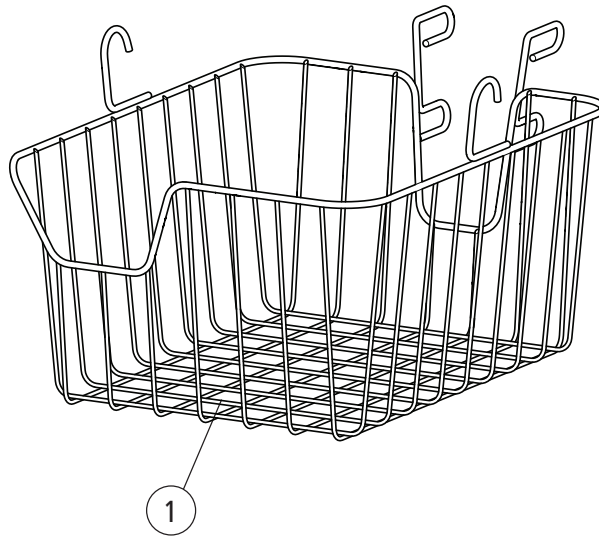
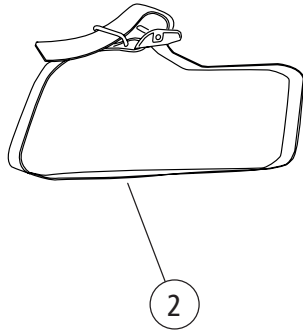
Prio

Prio AB

Prio 16"

<input type="checkbox"/>	<input type="checkbox"/>	<input type="checkbox"/>
<input checked="" type="checkbox"/>	<input checked="" type="checkbox"/>	<input checked="" type="checkbox"/>
<input checked="" type="checkbox"/>	<input checked="" type="checkbox"/>	<input checked="" type="checkbox"/>
<input checked="" type="checkbox"/>	<input checked="" type="checkbox"/>	<input checked="" type="checkbox"/>
<input checked="" type="checkbox"/>	<input checked="" type="checkbox"/>	<input checked="" type="checkbox"/>
<input checked="" type="checkbox"/>	<input checked="" type="checkbox"/>	<input checked="" type="checkbox"/>
<input checked="" type="checkbox"/>	<input checked="" type="checkbox"/>	<input checked="" type="checkbox"/>

# Basket

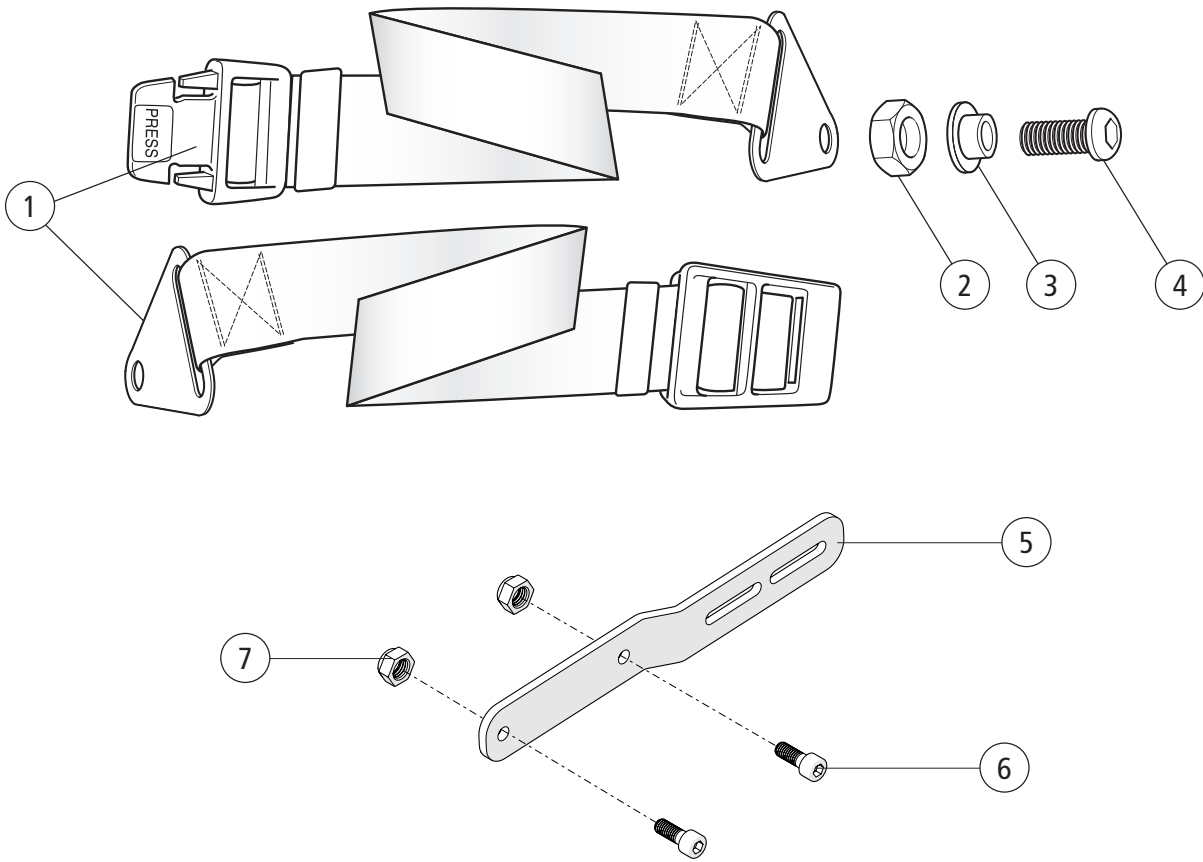


Prio  
Prio AB  
Prio 16"

Pos.	Description	Item. no.
1-2	Basket compl Prio	28316
1	Basket	
2	Strap	80459

●	●	●
●	●	●
●	●	●

# Positioning belt



Pos.	Description	Item no.
1-4	Positioning belt lenght 100 mm	27904
	Positioning belt lenght 128 mm	28544
2	Locking nut M 6	
3	Spacer positioning belt	
4	Screw M 6x 14 K6S	
5-7	Attachment positioning belt	28641
6	Screw M6x16 MC6S 12.9	11253
7	Locking nut M6	12035

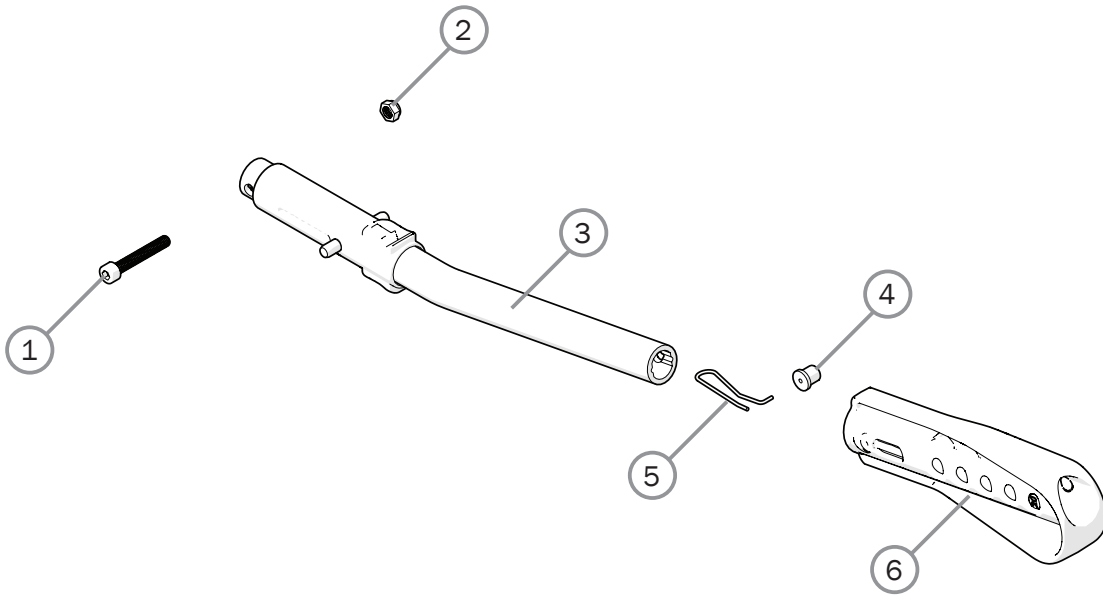
Prio

PrioAB

Prio 16"

●	●	●
●	●	●
●	●	●
●	●	●
●	●	●
●	●	●
●	●	●

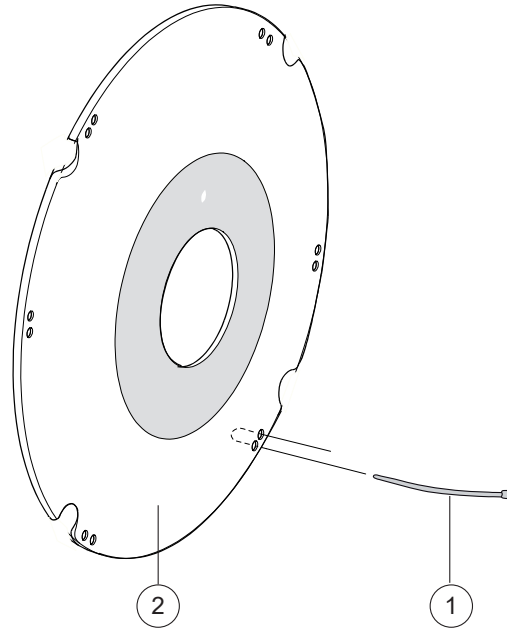
# Anti tip



Pos.	Description	Item no.
1-6	Anti-tip multi cc 59 cpl	28457
1	Screw M6x 40 MC6S 10.9 zink plated	11229
2	Locking nut M6	12017
3	Anti-tip tube	
4	Pin	
5	Spring	
6	Anti-tip extension multi	51201

Prio	Prio AB	Prio 16"
●	●	●
●	●	●
●	●	●
●	●	●
●	●	●

# Spoke guard



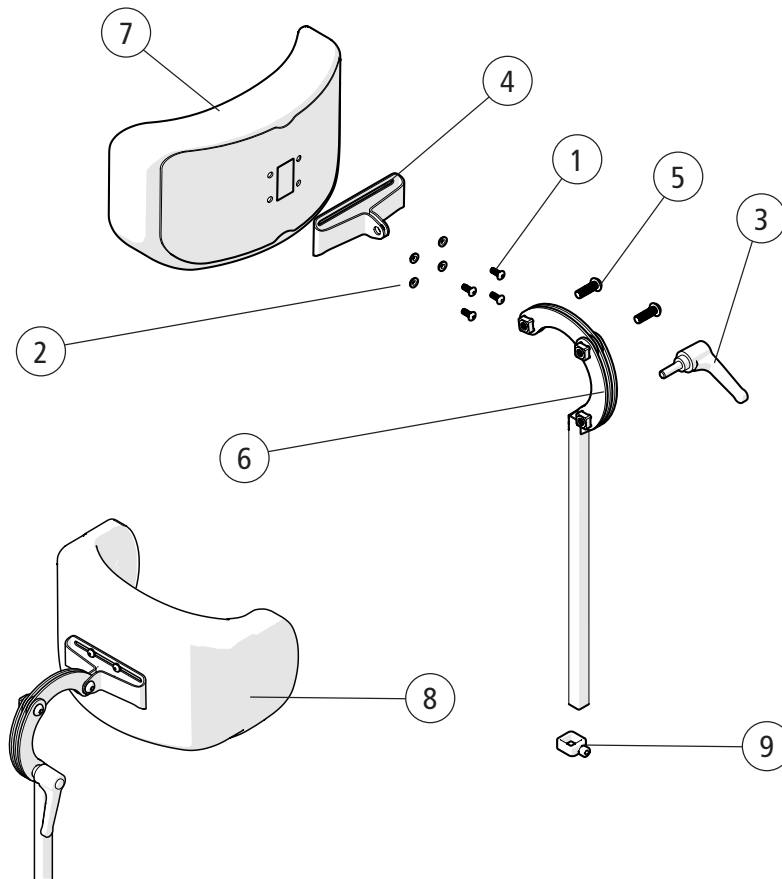
Prio  
 Prio AB  
 Prio 16"

Pos.	Description	Item no.
1	Attachment kit spokeguard	26276
1-2	Spoke guard 20 with logo Etac grey	25502-28
	Spoke guard 20 with logo Etac yellow	25502-29
	Spoke guard 22 with logo Etac grey	25503-28
	Spoke guard 22 with logo Etac yellow	25503-29
	Spoke guard 24 with logo Etac grey	25504-28
	Spoke guard 24 with logo Etac yellow	25504-29

●	●	
●	●	
●	●	
●	●	
●	●	
●	●	



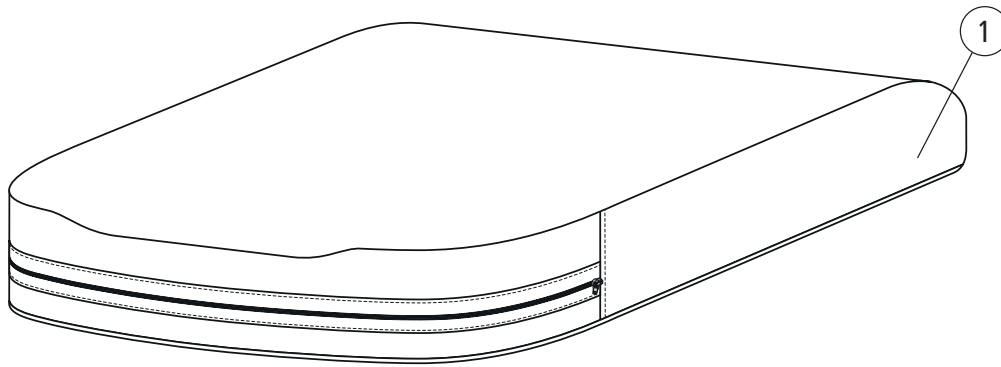
# Head support



Prio  
Prio AB  
Prio 16"

Pos.	Description	Item no.			
1	Screw M5x16 MRX	11208	●	●	●
2	Joint bushing	50285	●	●	●
3	Handle M8x25 mm black	80684	●	●	●
4	Attachment head support	83288	●	●	●
5	Screw M8x25	11706	●	●	●
6	Tube Hold Neckrest L 350	28533	●	●	●
1-6	Head support angle adj plush	28534-60	●	●	●
	Head support angle adj hygiene	28534-65	●	●	●
	Head support with side support compl grey hygiene	28536-65	●	●	●
7	Head support cover plush	63177-60	●	●	●
	Head support cover hygiene	63177-65	●	●	●
8	Head support cover with side support	63185-65	●	●	●
9	Memory function head support	28564	●	●	●

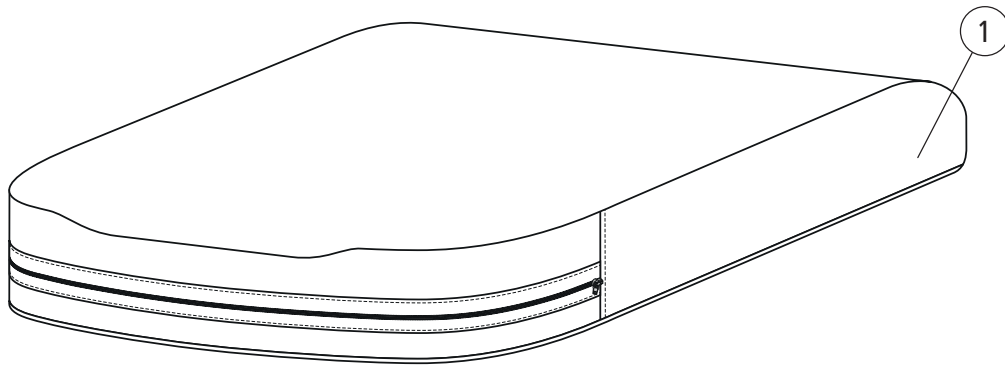
# Seat cushion



Pos.	Description	Item no.			
1	Seat cushion Prio 40 cm short STD plush	27751-60	●	●	●
	Seat cushion Prio 40 cm short STD hygiene grey	27751-65	●	●	●
	Seat cushion Prio 45 cm short STD plush	27752-60	●	●	●
	Seat cushion Prio 45 cm short STD hygiene grey	27752-65	●	●	●
	Seat cushion Prio 50 cm short STD plush	27753-60	●	●	●
	Seat cushion Prio 50 cm short STD hygiene grey	27753-65	●	●	●
	Seat cushion Prio 55 cm short STD plush	27754-60	●	●	●
	Seat cushion Prio 55 cm short STD hygiene grey	27754-65	●	●	●
	Seat cushion Prio 40 cm short comfort plush	27755-60	●	●	●
	Seat cushion Prio 40 cm short comfort hygiene grey	27755-65	●	●	●
	Seat cushion Prio 45 cm short comfort plush	27756-60	●	●	●
	Seat cushion Prio 45 cm short comfort hygiene grey	27756-65	●	●	●
	Seat cushion Prio 50 cm short comfort plush	27757-60	●	●	●
	Seat cushion Prio 50 cm short comfort hygiene grey	27757-65	●	●	●
	Seat cushion Prio 55 cm short comfort plush	27758-60	●	●	●
	Seat cushion Prio 55 cm short comfort hygiene grey	27758-65	●	●	●
	Seat cushion Prio short hygiene std Tidy 40 cm	28055-65	●	●	●
	Seat cushion Prio short hygiene std Tidy 45 cm	28056-65	●	●	●
	Seat cushion Prio short hygiene std Tidy 50 cm	28057-65	●	●	●
	Seat cushion Prio short hygiene std Tidy 55 cm	28058-65	●	●	●

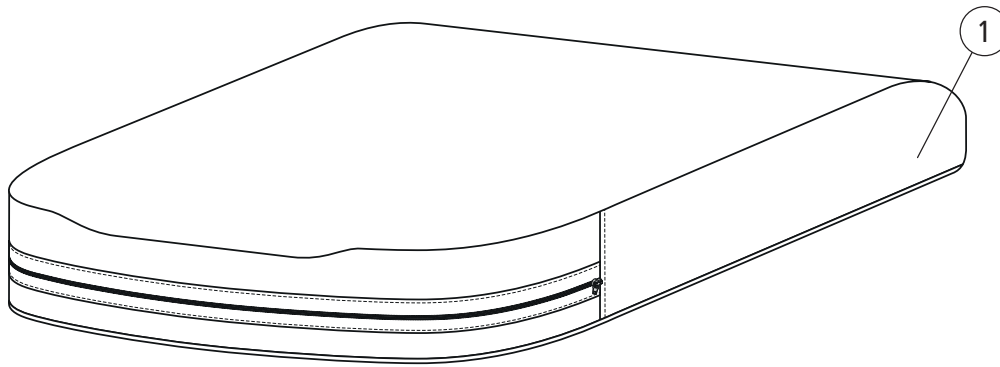
Prio  
Prio AB  
Prio 16"

# Seat cushion



Pos.	Description	Item no.			
			Prio	Prio AB	Prio 16"
	Seat cushion Prio 40 cm long STD plush	27759-60	●	●	●
	Seat cushion Prio 40 cm long STD hygiene grey	27759-65	●	●	●
	Seat cushion Prio 45 cm long STD plush	27760-60	●	●	●
	Seat cushion Prio 45 cm long STD hygiene grey	27760-65	●	●	●
	Seat cushion Prio 50 cm long STD plush	27761-60	●	●	●
	Seat cushion Prio 50 cm long STD hygiene grey	27761-65	●	●	●
	Seat cushion Prio 55 cm long STD plush	27762-60	●	●	●
	Seat cushion Prio 55 cm long STD hygiene grey	27762-65	●	●	●
	Seat cushion Prio 40 cm long comfort plush	27763-60	●	●	●
	Seat cushion Prio 40 cm long comfort hygiene grey	27763-65	●	●	●
	Seat cushion Prio 45 cm long comfort plush	27764-60	●	●	●
	Seat cushion Prio 45 cm long comfort hygiene grey	27764-65	●	●	●
	Seat cushion Prio 50 cm long comfort plush	27765-60	●	●	●
	Seat cushion Prio 50 cm long comfort hygiene grey	27765-65	●	●	●
	Seat cushion Prio 55 cm long comfort plush	27766-60	●	●	●
	Seat cushion Prio 55 cm long comfort hygiene grey	27766-65	●	●	●
	Seat cushion Prio long hygiene std Tidy 40 cm	28059-65	●	●	●
	Seat cushion Prio long hygiene std Tidy 45 cm	28060-65	●	●	●
	Seat cushion Prio long hygiene std Tidy 50 cm	28061-65	●	●	●
	Seat cushion Prio long hygiene std Tidy 55 cm	28062-65	●	●	●

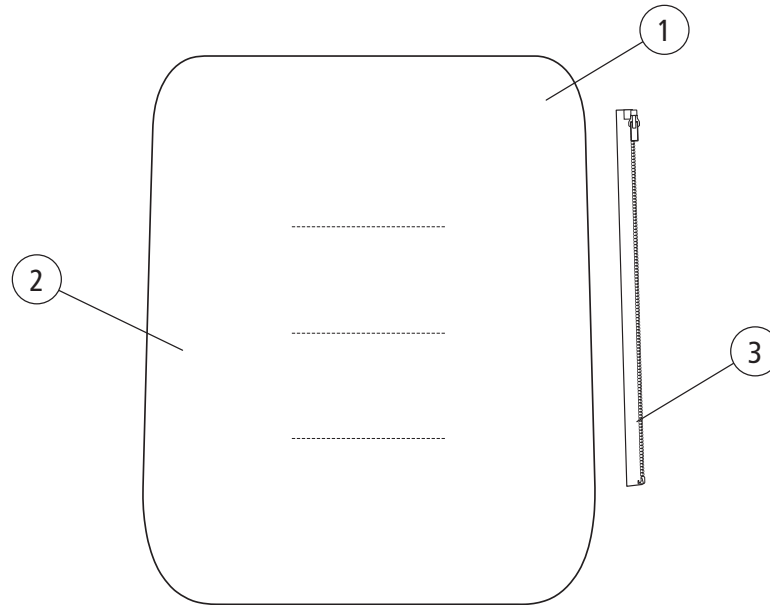
## Seat cushion - Cover



Pos.	Description	Item no.			
1	Cover seat cushion 40 (16) short plush Prio	63060-60	●	●	●
	Cover seat cushion 40 (16) short hygiene grey Prio	63060-65	●	●	●
	Cover seat cushion 45 (18) short plush Prio	63061-60	●	●	●
	Cover seat cushion 45 (18) short hygiene grey Prio	63061-65	●	●	●
	Cover seat cushion 50 (20) short plush Prio	63062-60	●	●	●
	Cover seat cushion 50 (20) short hygiene grey Prio	63062-65	●	●	●
	Cover seat cushion 55 (22) short plush Prio	63063-60	●	●	●
	Cover seat cushion 55 (22) short hygiene grey Prio	63063-65	●	●	●
	Cover seat cushion 40 (16) long plush Prio	63064-60	●	●	●
	Cover seat cushion 40 (16) long hygiene grey Prio	63064-65	●	●	●
	Cover seat cushion 45 (18) long plush Prio	63065-60	●	●	●
	Cover seat cushion 45 (18) long hygiene grey Prio	63065-65	●	●	●
	Cover seat cushion 50 (20) long plush Prio	63066-60	●	●	●
	Cover seat cushion 50 (20) long hygiene grey Prio	63066-65	●	●	●
	Cover seat cushion 55 (22) long plush Prio	63067-60	●	●	●
	Cover seat cushion 55 (22) long hygiene grey Prio	63067-65	●	●	●
	Cover seat 40 short Tidy	63159-65	●	●	●
	Cover seat 45 short Tidy	63160-65	●	●	●
	Cover seat 50 short Tidy	63161-65	●	●	●
	Cover seat 55 short Tidy	63162-65	●	●	●
Cover seat 40 long Tidy	63163-65	●	●	●	
Cover seat 45 long Tidy	63164-65	●	●	●	
Cover seat 50 long Tidy	63165-65	●	●	●	
Cover seat 55 long Tidy	63166-65	●	●	●	

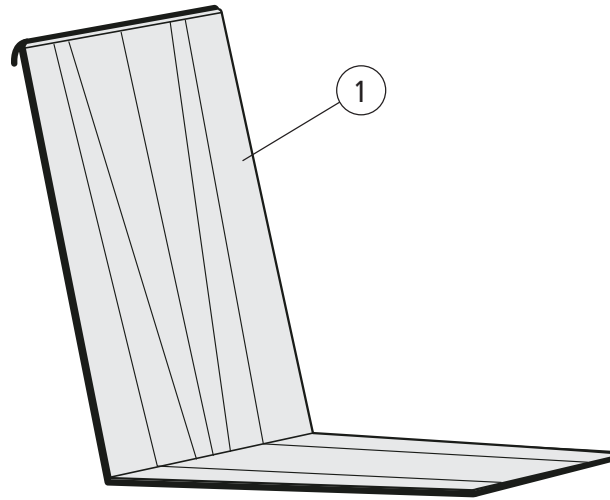
Prio  
 Prio AB  
 Prio 16"

# Back support cushion



Pos.	Description	Item no.			
			Prio	Prio AB	Prio 16"
1	Back support cushion 40 cm plush Prio excl zipper	28410-60	●	●	●
	Back support cushion 40 cm hygiene Prio grey excl zipper	28410-65	●	●	●
	Back support cushion 45 cm plush Prio excl zipper	28411-60	●	●	●
	Back support cushion 45 cm hygiene Prio grey excl zipper	28411-65	●	●	●
	Back support cushion 50 cm plush Prio excl zipper	28412-60	●	●	●
	Back support cushion 50 cm hygiene Prio grey excl zipper	28412-65	●	●	●
	Back support cushion 55 cm plush Prio excl zipper	28413-60	●	●	●
	Back support cushion 55 cm hygiene Prio grey excl zipper	28413-65	●	●	●
2	Cover back support plush Prio 40 cm grey excl zipper	63230-60	●	●	●
	Cover back support hygiene Prio 40 cm grey excl zipper	63230-65	●	●	●
	Cover back support plush Prio 45 cm grey excl zipper	63231-60	●	●	●
	Cover back support hygiene Prio 45 cm grey excl zipper	63231-65	●	●	●
	Cover back support plush Prio 50 cm grey excl zipper	63232-60	●	●	●
	Cover back support hygiene Prio 50 cm grey excl zipper	63232-65	●	●	●
	Cover back support plush Prio 55 cm grey excl zipper	63233-60	●	●	●
	Cover back support hygiene Prio 55 cm grey excl zipper	63233-65	●	●	●
3	Velcro attachment back Prio	83188	●	●	●

# Back support cover



Prio

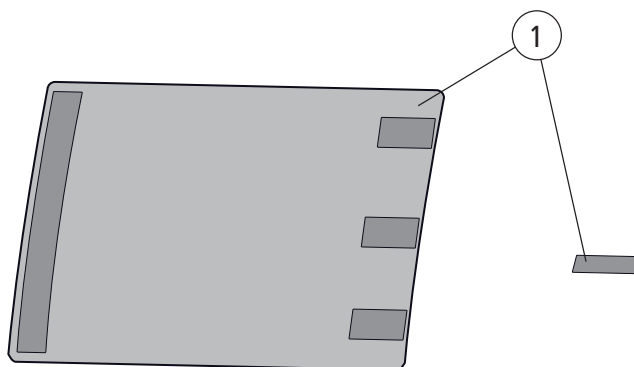
Prio AB

Prio 16"

Pos.	Description	Item no.
1	Back support cover W40 cm plush	63200-60
	Back support cover W45 cm plush	63201-60
	Back support cover W50 cm plush	63202-60
	Back support cover W55 cm plush	63203-60

●	●	●
●	●	●
●	●	●
●	●	●

# Extension back support upholstery



Pos.	Description	Item. No.
1	Extension back support upholstery	28657

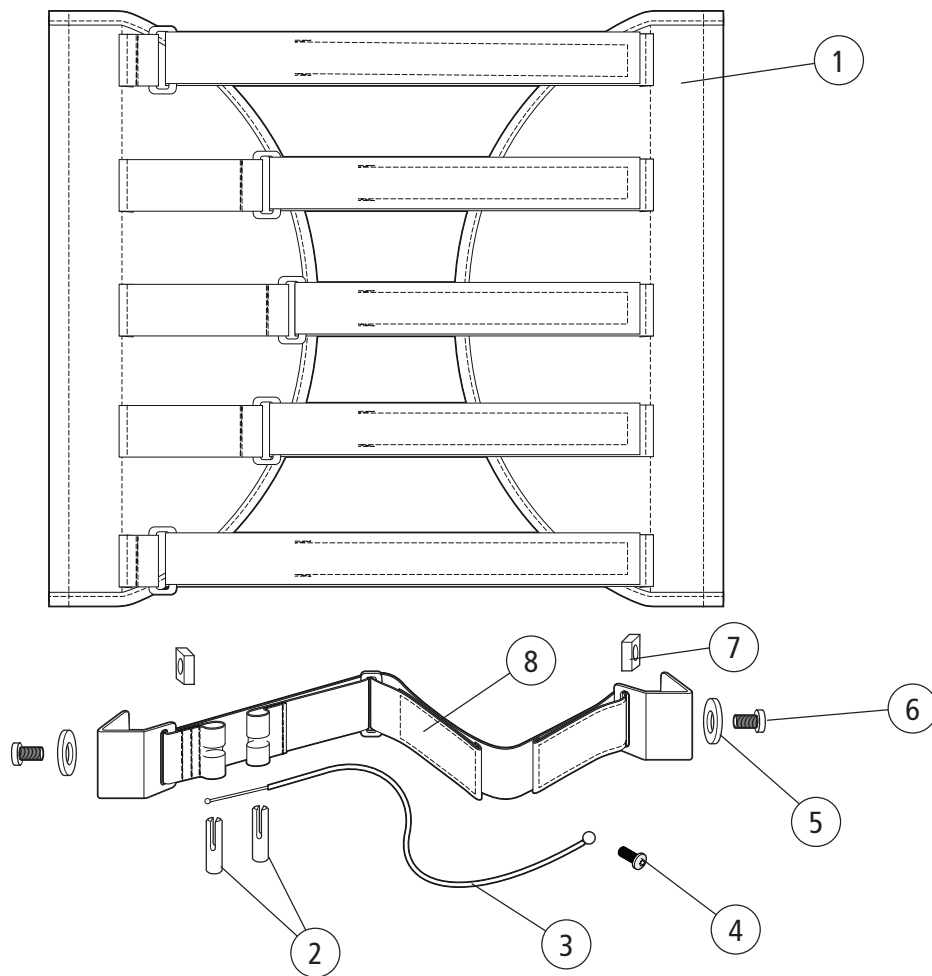
Prio

Prio AB

Prio 16"



# Back support upholstery comfort



Pos.	Description	Item no.			
1	Upholstery back adj W40 without zipper	63226-60	●	●	●
	Upholstery back adj W45 without zipper	63227-60	●	●	●
	Upholstery back adj W50 without zipper	63228-60	●	●	●
	Upholstery back adj W55 without zipper	63229-60	●	●	●
2	Wire attachment lumbar support	20510	●	●	●
3	Wire active lumbar support	82661	●	●	●
4	Screw M8x20 K6S 10.9 zink plated	11704	●	●	●
5	Washer 6,4x14x1,5	13062	●	●	●
6	Screw M 6x 14 MC6LS SW5 Zn8/P4	11539	●	●	●
7	Nut M 6 FK4M	12058	●	●	●
8	(Back support strap active lumbar support)				
5-8	Dynamic pelvic support Prio 40 cm	28035	●	●	●
	Dynamic pelvic support Prio 45 cm	28036	●	●	●
	Dynamic pelvic support Prio 50 cm	28037	●	●	●
	Dynamic pelvic support Prio 55 cm	28038	●	●	●

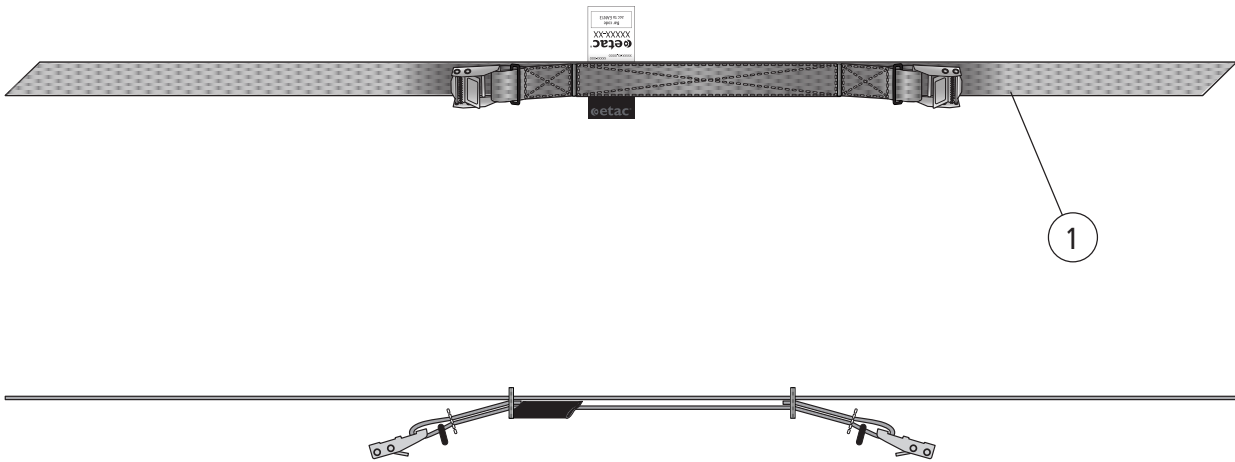
Prio

Prio AB

Prio 16"



# Back angle control



Pos.	Description	Item no.
1	Back angle control cpl	28573

Prio

Prio AB

Prio 1G"

