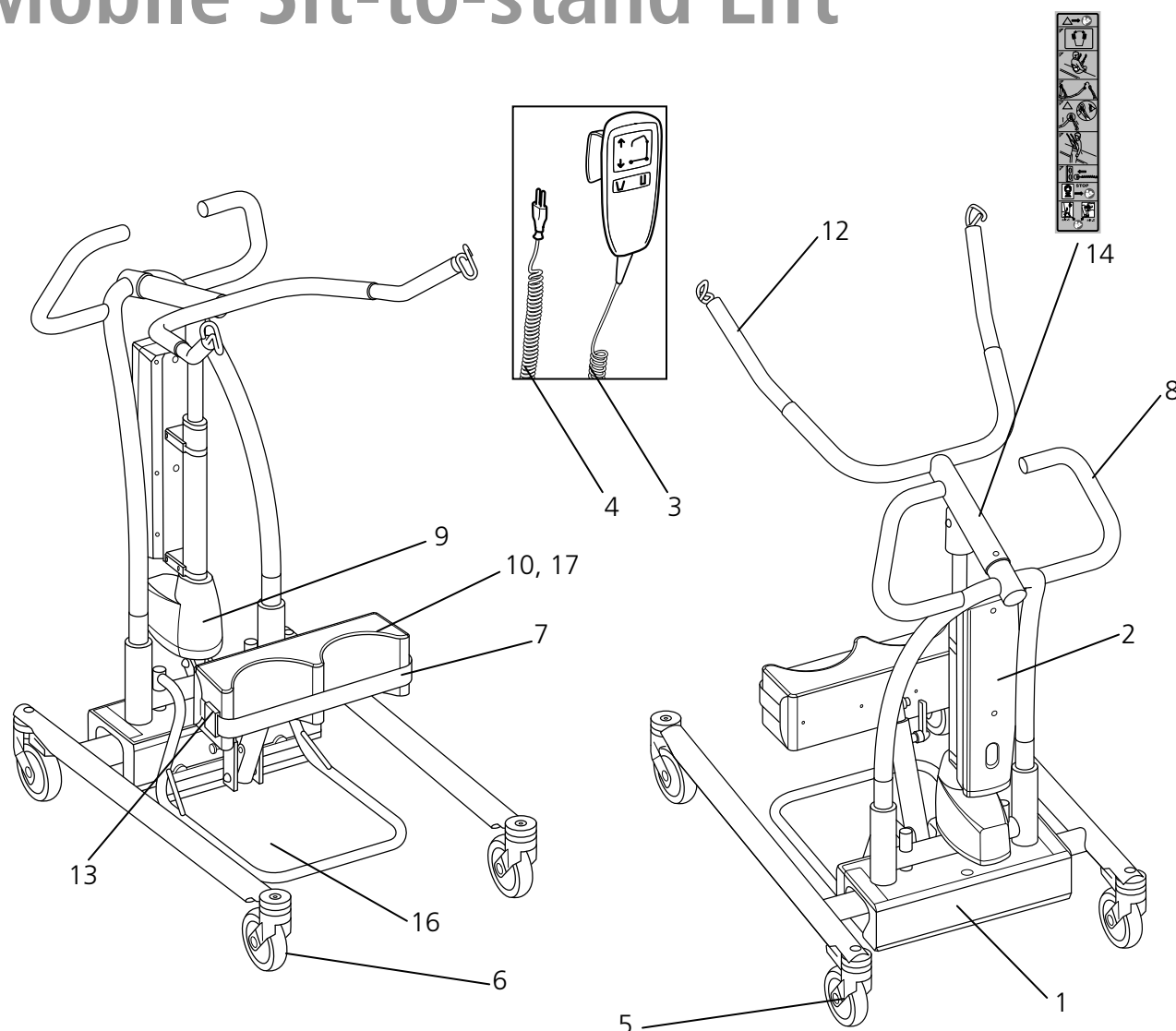


Nova 500 NG

Mobile Sit-to-stand Lift



Pos	Description	Art.no:
1	Motor for base width adjustment	82715
2	Control box incl battery	82607
3	Hand control	82609
4	Power cord (EU-plug)	82610
4	Power cord (US-plug)	82852
5	Wheel with brakes	82626
6	Wheel without brakes	82627
7	Calf strap compl.....	82459
8	Cover for grip	81602
9	Actuator	82606

Pos	Description	Art.no:
10	Leg support without plate	81607
11	Screw/nut kit	82628
12	Cover for lift arm	81609
13	Buckle male part	81948
14	Quick guide	72496
15	Battery	82658
16	Footplate complete	82261
17	Leg support with plate	81606

75174G

05-08-2014

Etac, Box 203, SE-334 24 Anderstorp

Tel. +46/371-58 73 00, Fax. +46/371-58 73 90

www.etac.com