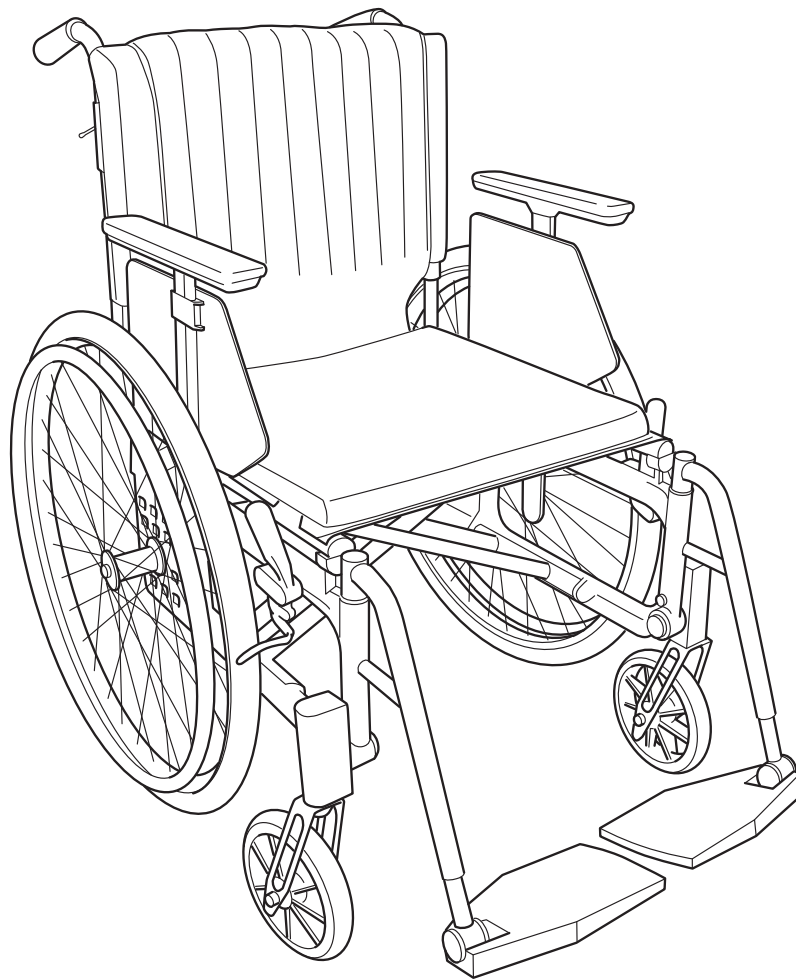


# Cross / Cross with drum brakes

## Sparepart list

75111E 21-10-2013



# Index

Standard	Page
Side frame .....	3
Cross frame .....	4
Backrest tube adjustable .....	5
Backrest tube tapered .....	6
Backrest tube high backrest .....	7
Backrest tube angled .....	8
Legrest .....	9
Legrest elevating mod 1 .....	10
Legrest elevating mod 2 .....	11
Legrest elevating mod 3 .....	12
Amputation support .....	13
Footrest .....	14
Whole footrest.....	15
Brakes .....	16
Rear wheels complete .....	17
Rear whells without tube and tyre .....	18
Drum brakes .....	19
Single-hand drive .....	20
Tyre and innertube .....	21
Handrim .....	22
Castors .....	23
Seat upholstery .....	24
Solid seat.....	25
Backrest upholstery .....	26
Backrest cover.....	27
Armrests .....	28-29
Flip-up armrests .....	30
Sideguard .....	31
Thigh support .....	32
Tray .....	33
Tray hemi.....	34
Tray hemi tip-up.....	35
Anti-tip .....	36-38
Tilter .....	39
Spoke guard .....	40
Quad quickrelease adapter.....	41
Cane holder.....	42

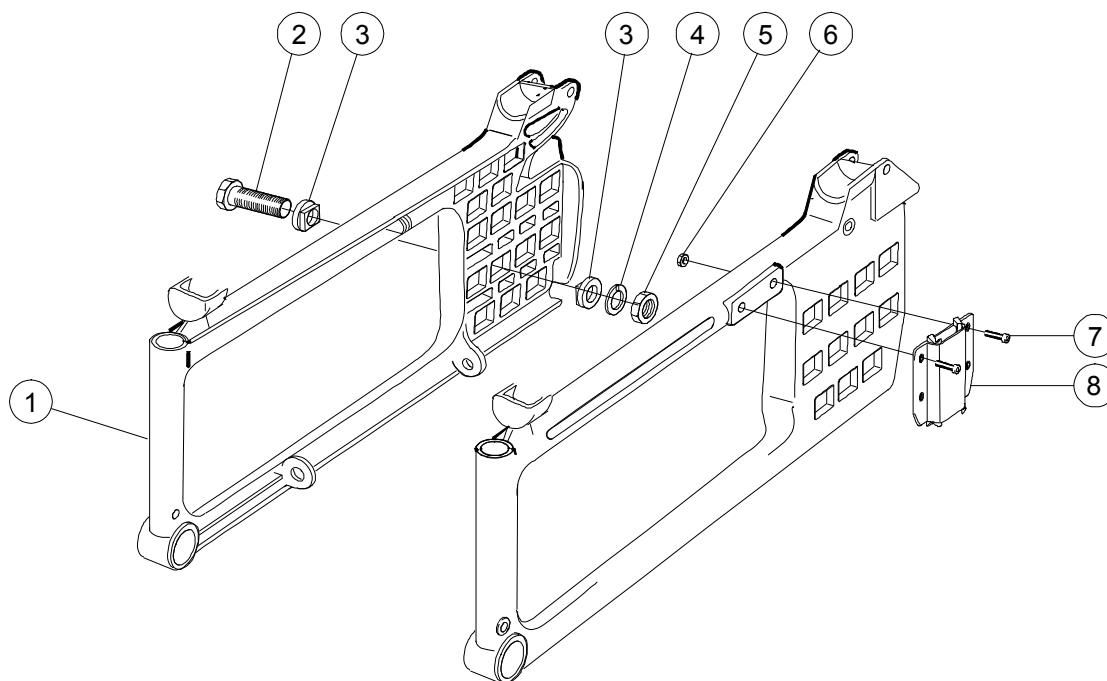
## Frame colours:

01=black, 02=red, 34=plum texture, 33=see green texture, 30=blue texture,  
22=grey texture, 53= grey blast

## Upholstery:

60=dark grey fabric

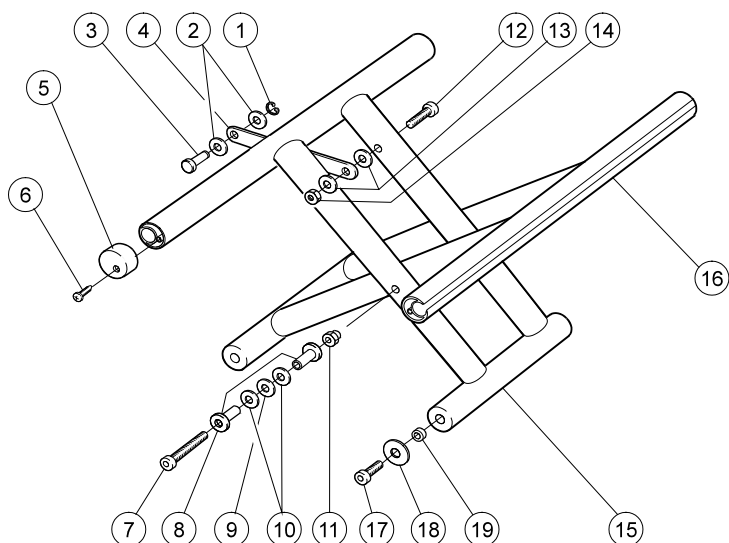
## Side frame



Pos	Description	Item No
1, 6-8	Side frame short right .....	25561-xx-1
	Side frame short left .....	25561-xx-2
	Side frame long righth.....	25562-xx-1
	Side frame long left.....	25562-xx-2
2	Axle sleeve .....	20079
3	Camber washer 2 degr .....	80594
	Camber washer 0 degr .....	20331
4	Locking washer AZ 5/8 .....	13039
5	Nut 5/8 UL6M UNF fzb .....	12016
6	Locking nut M 6 .....	12035
7	Screw M 6x 20 MC6S 8.8 .....	11392
8	Attachment armrest .....	25535

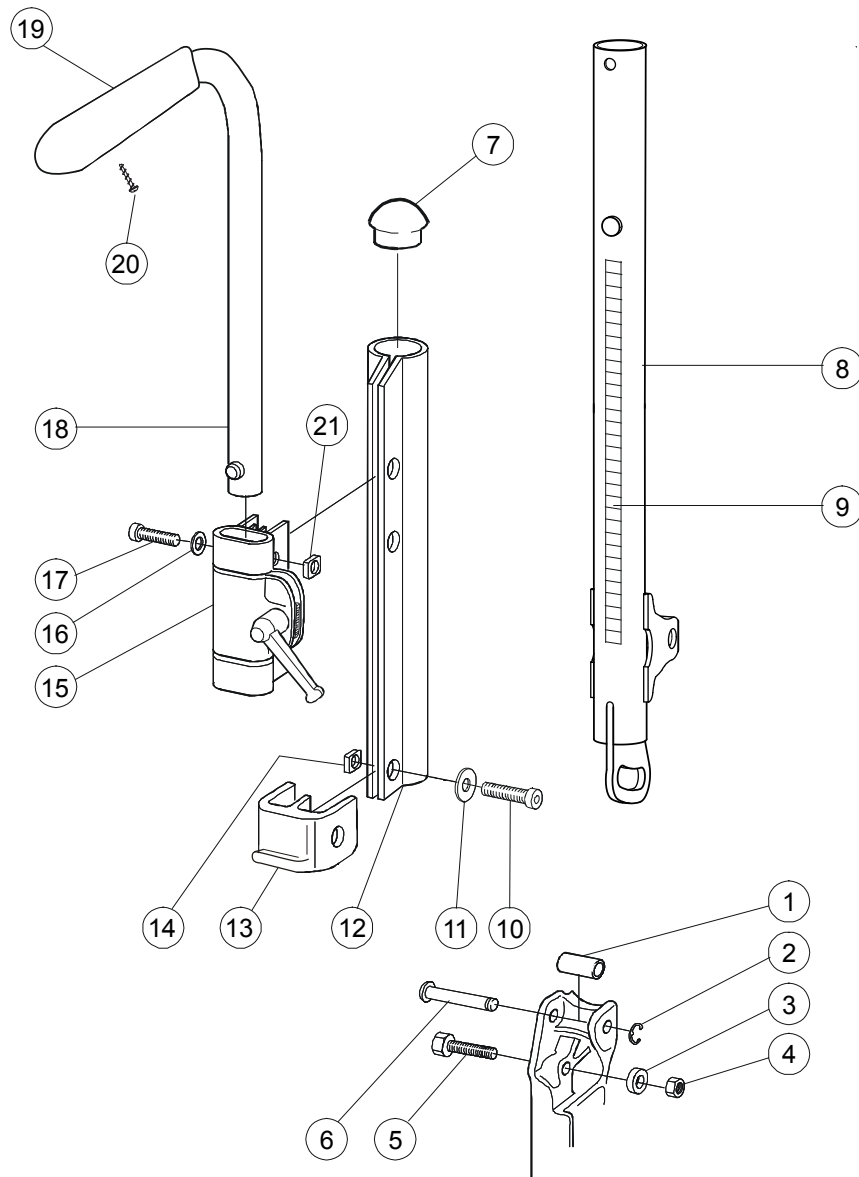
xx=Frame colours, see page 2

## Cross frame



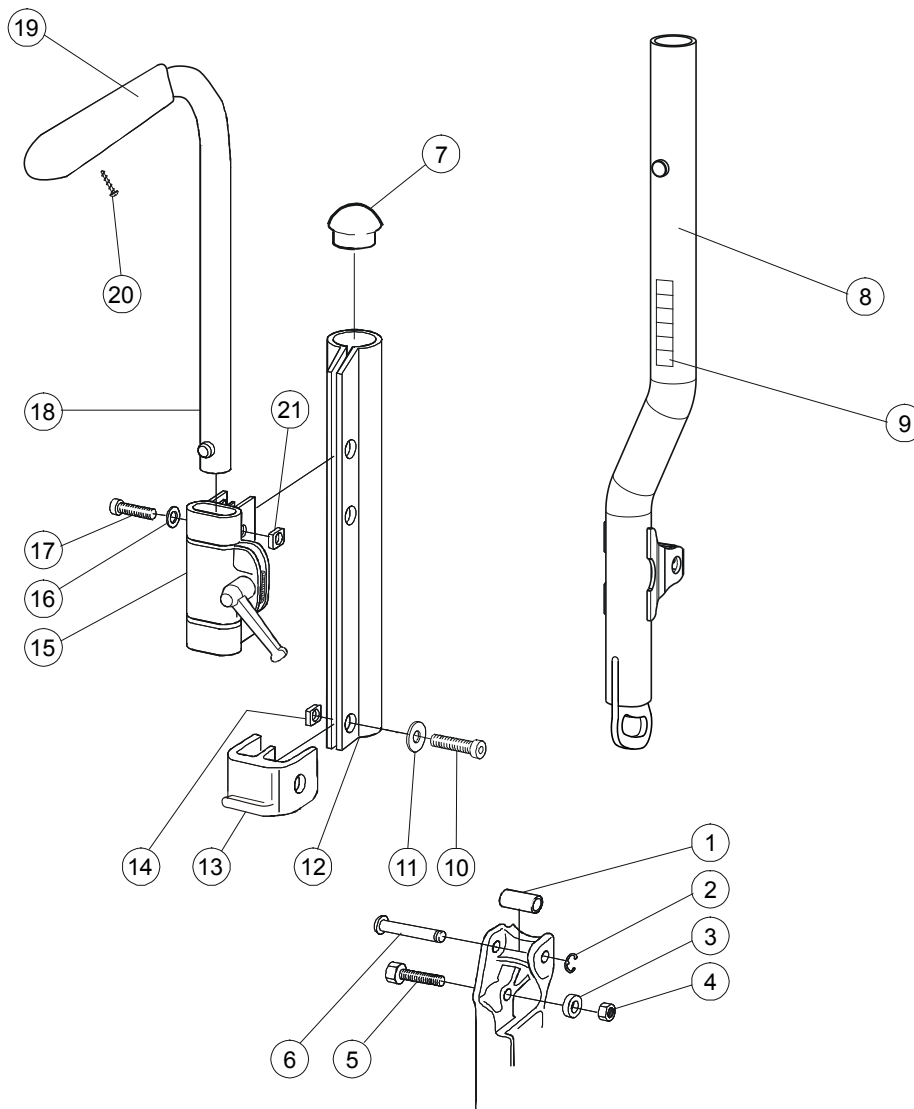
Pos	Description	Item No	Pos	Description	Item No
1	Cir clip RSM 4 stainless .....	13054			
2	Joint bushing .....	50285	4-16	Cross frame kit short 35 cm (14") mod 3	27485-01
3	Axle plate Cross frame .....	20332		Cross frame kit short 37.5 cm (15") mod 3	27486-01
1-3, 5-6, 17-19	Attachment kit Cross .....	25765		Cross frame kit short 40 cm (16") mod 3	27487-01
4	Plate cross frame 35 cm (14") .....	25148		Cross frame kit short 42.5 cm (17") mod 3	27488-01
	Plate cross frame 37.5 cm (15") ...	25149		Cross frame kit short 45 cm (18") mod 3	27497-01
	Plate cross frame 40 cm (16) .....	25150		Cross frame kit short 47.5 cm (19") mod 3	27498-01
	Plate cross frame 42.5 cm (17") ....	25151		Cross frame kit short 50 cm (20") mod 3	27499-01
	Plate cross frame 45 cm (18") .....	25152		Cross frame kit long 35 cm (14") mod 3	27489-01
	Plate cross frame 47.5 cm (19") ...	25725		Cross frame kit long 37.5 cm (15") mod 3	27490-01
	Plate cross frame 50 cm (20") .....	25451		Cross frame kit long 40 cm (16") mod 3	27491-01
5	Plug seat tube Cross .....	50406		Cross frame kit long 42.5 cm (17") mod 3	27492-01
6	Screw B8x16FXS black chrome ....	11401		Cross frame kit long 45 cm (18") mod 3	27511-01
7	Screw M 6x 55 MC6S 12.9.....	11351		Cross frame kit long 47.5 cm (19") mod 3	27512-01
8	Cross brace washer Cross .....	20383		Cross frame kit long 50 cm (20") mod 3	27513-01
9	Washer 6.4x14x1.5 .....	13058	17	Screw M6x25 MC6S black esloc 8.8	
10	Washer skiffy D12.5 d6.4 t1.0 .....	50277		DIN 912 .....	11636
11	Domed nut M 6 black .....	12005	18	Washer 25/10/1.5 black pa.....	50281
12	Screw M 5x 35 MC6S fzb .....	11290	19	Joint cross frame .....	20322
13	Joint bushing .....	50285			
14	Locking nut M 5 .....	12036			
15					

## Backrest tube adjustable



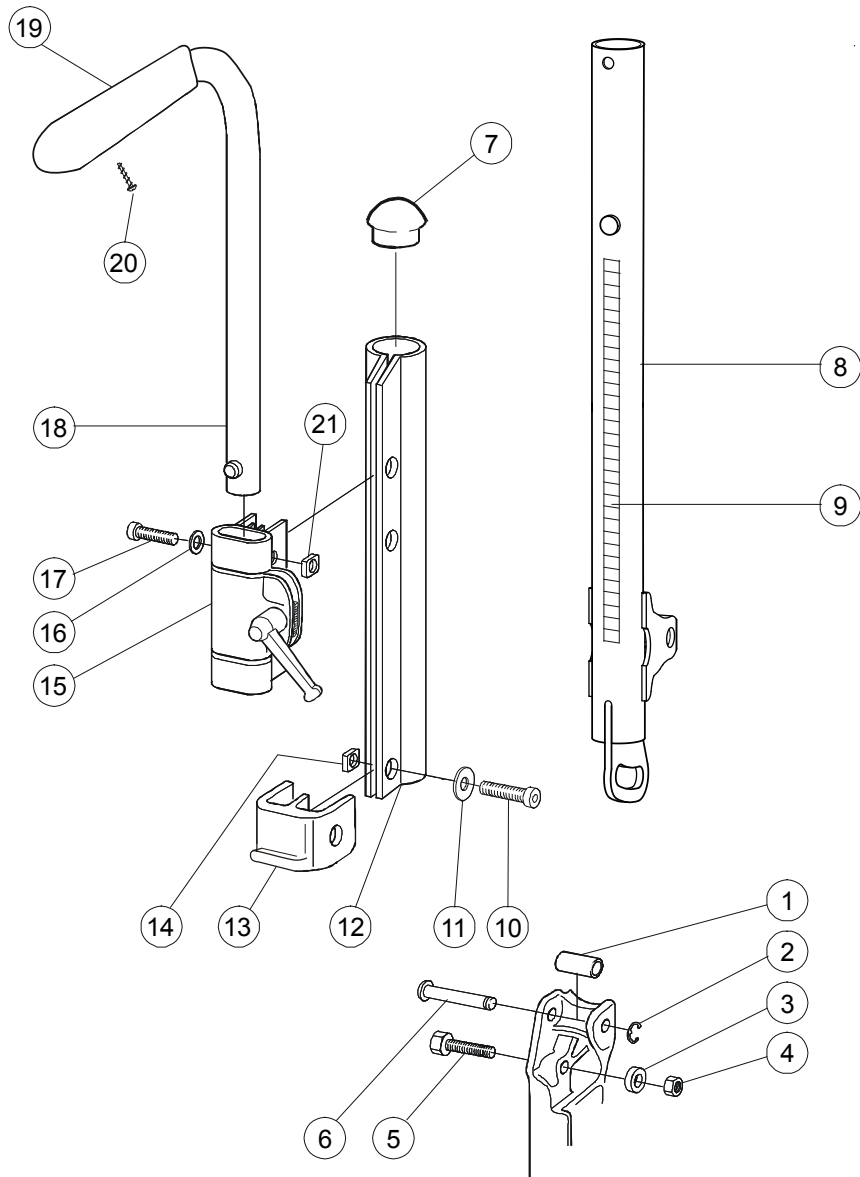
Pos	Description	Item No	Pos	Description	Item No
1	Joint support backrest .....	20319	12	Wedge back 6063A-T6 .....	80851
2	Cir clip RSM 6 stainless .....	13036	13	Dust cover Cross back 2 right .	50405
3	Spacer 20/8.5/9.5 .....	20320		Dust cover Cross back 2 left ....	50407
4	Locking nut M 8x 1 DIN 985 ...	12051	14	Square nut high M6 .....	12058
5	Screw M 8x 1x30 black .....	11363	7-14	Backrest tube compl. right .....	25609-01-1
6	Axle back joint Cross .....	20318		Backrest tube compl. left .....	25609-01-2
7	Plug 25-21/23 R12.5 .....	50248	15	Attachement push handles .....	25676
8	Back tube Cross back 2 .....	25593-01	16	Washer BRB M 6 .....	13030
9	Label height adjustment .....	71851	17	Screw M6x30 MC6S 8.8 black esl	11398
10	Screw M 6x 22 MC6S fzb .....	11012	18-20	Push handle h adj Cross std .....	27338-01
11	Washer BRB 6x3x10x1.5 fzb ...	13080	18	Push handles heightadjustable	27298
			19	Cover for handle.....	82221
			20	Screw M6 x 25 .....	11041
			21	Square nut high M6 .....	12058

## Backrest tube tapered



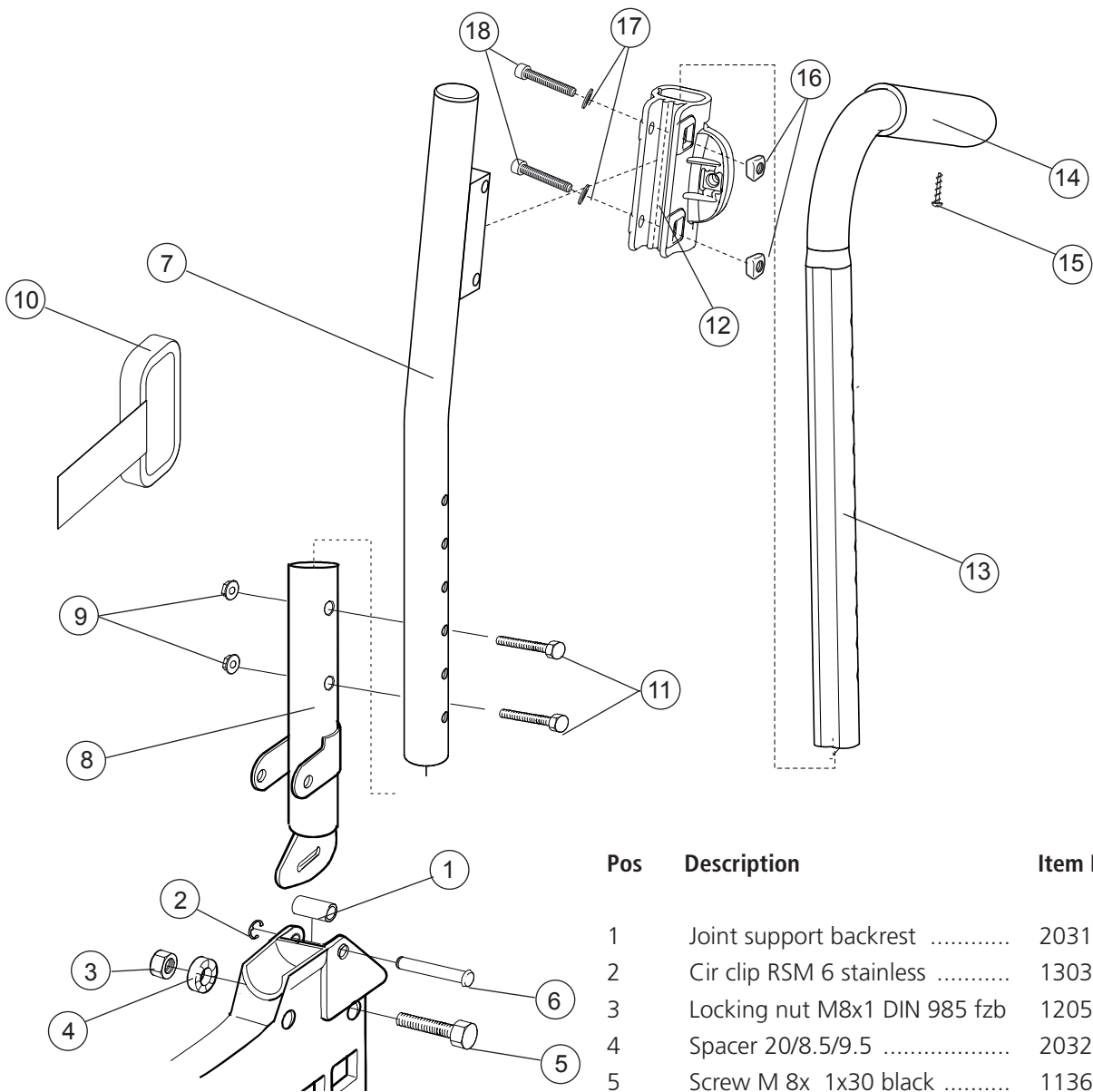
Pos	Description	Item No	Pos	Description	Item No
1	Joint support backrest .....	20319	12	Wedge back 6063A-T6 .....	80851
2	Cir clip RSM 6 stainless .....	13036	13	Dust cover Cross back 2 right .	50405
3	Spacer 20/8.5/9.5 .....	20320		Dust cover Cross back 2 left ....	50407
4	Locking nut M 8x 1 DIN 985 ...	12051	14	Square nut high M6.....	12058
5	Screw M 8x 1x30 black .....	11363	7-14	Back rest tube tapered compl. right	26269-01-1
6	Axle back joint Cross .....	20318		Back rest tube tapered compl. left	26269-01-2
7	Plug 25-21/23 R12.5 .....	50248	15	Attachement push handles .....	25676
8	Backrest tube tapered right/left	25593-01	16	Washer BRB M 6 .....	13030
9	Label height adjustment .....	71962	17	Screw M6x30 MC6S 8.8 black esl	11398
10	Screw M 6x 22 MC6S fzb .....	11012	18-20	Push handle h adj cross std .....	27338-01
11	Washer BRB 6x3x10x1.5 fzb ...	13080	18	Push handles heightadjustable	27298
			19	Cover for handle.....	82221
			20	Screw M6 x 25 .....	11041
			21	Square nut high M6 .....	12058

# Backrest tube adjustable high



Pos	Description	Item No	Pos	Description	Item No
1	Joint support backrest .....	20319	12	Wedge back 6063A-T6 .....	80851
2	Cir clip RSM 6 stainless .....	13036	13	Dust cover Cross back 2 right .	50405
3	Spacer 20/8.5/9.5 .....	20320		Dust cover Cross back 2 left ....	50407
4	Locking nut M 8x 1 DIN 985 ...	12051	14	Square nut high M6 .....	12058
5	Screw M8x 1x40 MC6S .....	11305	15	Attachement push handles .....	25676
6	Axle back joint Cross .....	20318	16	Washer BRB M 6 .....	13030
7	Plug 25-21/23 R12.5 .....	50248	17	Screw M6x30 MC6S 8.8 black esl	11398
8	Backrest tube Cross 55 cm right	26349-01-1	18-20	Push handle h adj Cross std .....	27338-01
	Backrest tube Cross 55 cm left.	26349-01-2	18	Push handles heightadjustable	27298
9	Label height adjustment .....	72332	19	Cover for handle.....	82221
10	Screw M 6x 22 MC6S fzb .....	11012	20	Screw M6 x 25 .....	11041
11	Washer BRB 6x3x10x1.5 fzb ...	13080	21	Square nut high M6 .....	12058

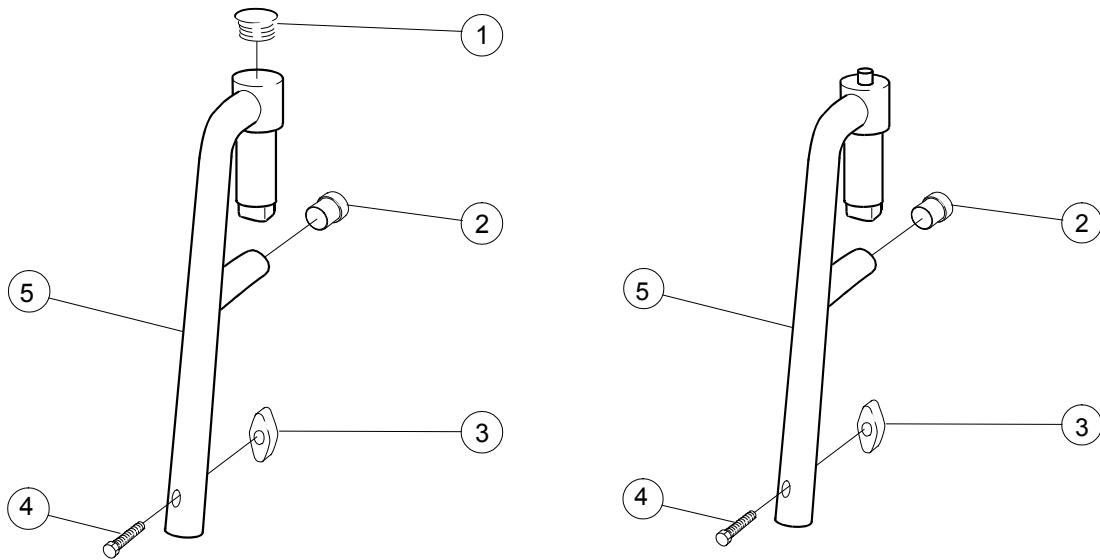
## Backrest tube angled



Pos	Description	Item No
1	Joint support backrest .....	20319
2	Cir clip RSM 6 stainless .....	13036
3	Locking nut M8x1 DIN 985 fzb .....	12051
4	Spacer 20/8.5/9.5 .....	20320
5	Screw M 8x 1x30 black .....	11363
6	Axle back joint Cross .....	20318
7	Attachment tube push handle .	26570-01
8	Attachment for backrest .....	26571-01
9	Locking nut M5 M6MF fzb .....	12060
10	Cover backrest angled .....	81668
11	Screw M5x30 M6S fzb.....	11403
12	Attachement push handles .....	25676
13-15	Push handle h adj Cross std .....	27338-01
13	Push handles heightadjustable .	27298
14	Cover for handle.....	82221
15	Screw M6 x 25 .....	11041
16	Square nut high M6 .....	12058
17	Washer BRB M 6 .....	13030
18	Screw M 6x 30 MC6S .....	11398

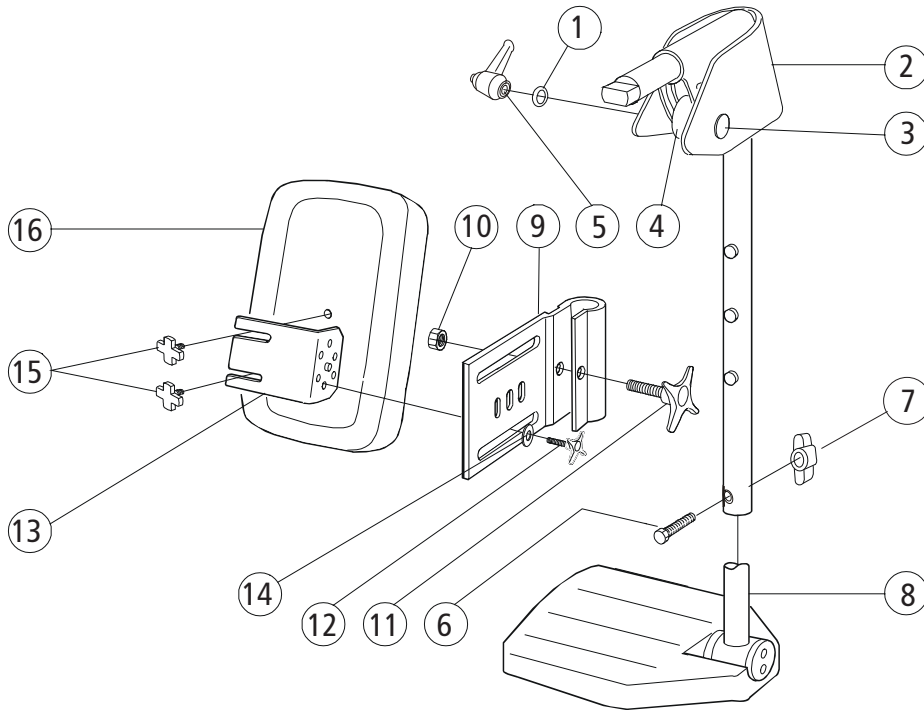


# Legrest



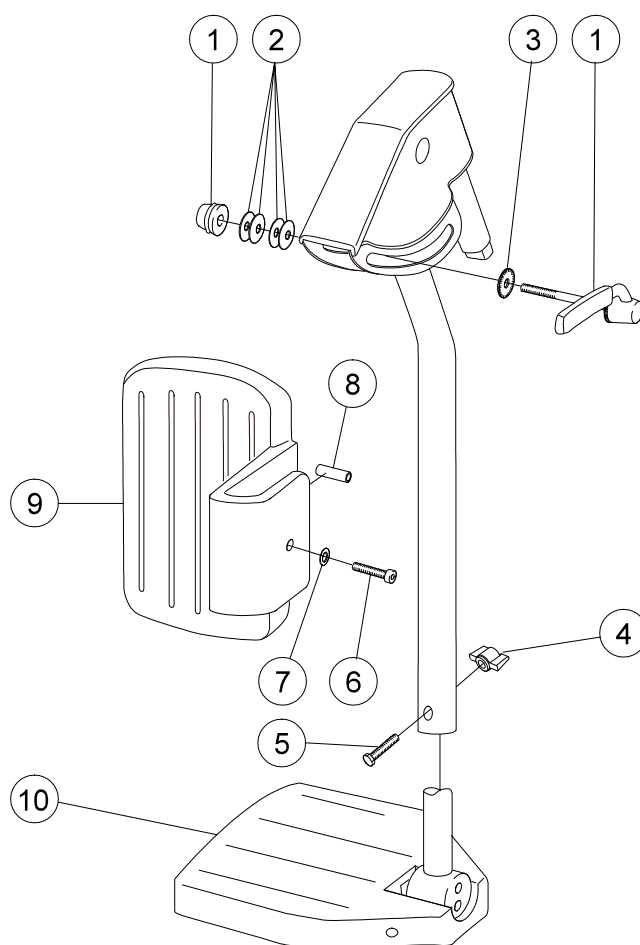
Pos	Description	Item No
1	Dust cover legrest .....	50287
2	Dust cover 16x 1 black .....	50240
3	Wing nut WN 314.1 .....	80847
4	Screw M6x30 M6S 8.8 fzb DIN 931 .....	11555
1-5	Legrest narrow angle .....	25570-01
	Legrest wide angle .....	25574-01
	Legrest narrow short .....	25571-01
2-5	Legrest narrow short lockable .....	25572-01
	Legrest narrow lockable .....	25573-01
	Legrest wide lockable .....	25575-01

# Legrest elevating mod 1



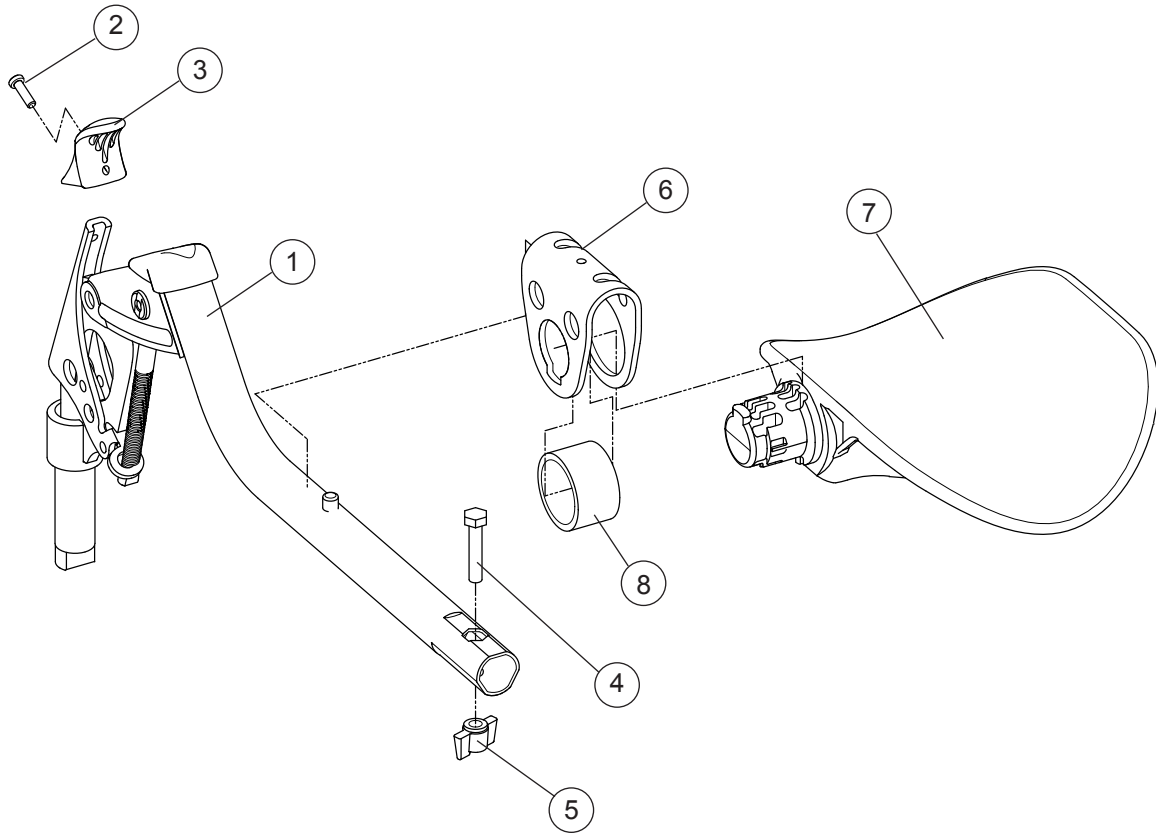
Pos	Description	Item No
1	Washer NB 6x16x1.0 black crome.....	13034
2	Joint guard legrest angle adjustable .....	62176
3	Screw M 6x 40 MVBF fzb.....	11234
4	Spacer legrest vrb Cross.....	20414
5	Handle M 6x25 43 mm black .....	80488
6	Screw M6x30 M6S 8.8 fzb DIN 931 .....	11555
7	Wing nut WN 314.1 25-M 6 polyamid.....	80847
1-7	Legrest elevating mod 1 Cross black .....	25660-01
8	See page 16 (footrests)	
9	Attachment legrest elevating Cross.....	24446-01
10	Nut M6M M 8 fzb .....	12006
11	Knob 60x22 M 8x32 black.....	80295
12	Knob 40 M 6x17 black .....	80297
13	Holder for calf support legrest elevating black ....	24421-01
14	Washer 6.4x17x3 DIN 7349 steel fzb .....	13052
9-14	Attachment legrest elevating with holder black...	24544-01
15	Knob M 5x15 legrest .....	80807
15-16	Calf support 35-37.5 cm.....	62105-60
	Calf support 40-42.5 cm.....	62104-60
	Calf support 45-47.5 cm.....	62484-60
	Calf support 50-60 cm.....	62451-60

## Legrest elevating mod 2



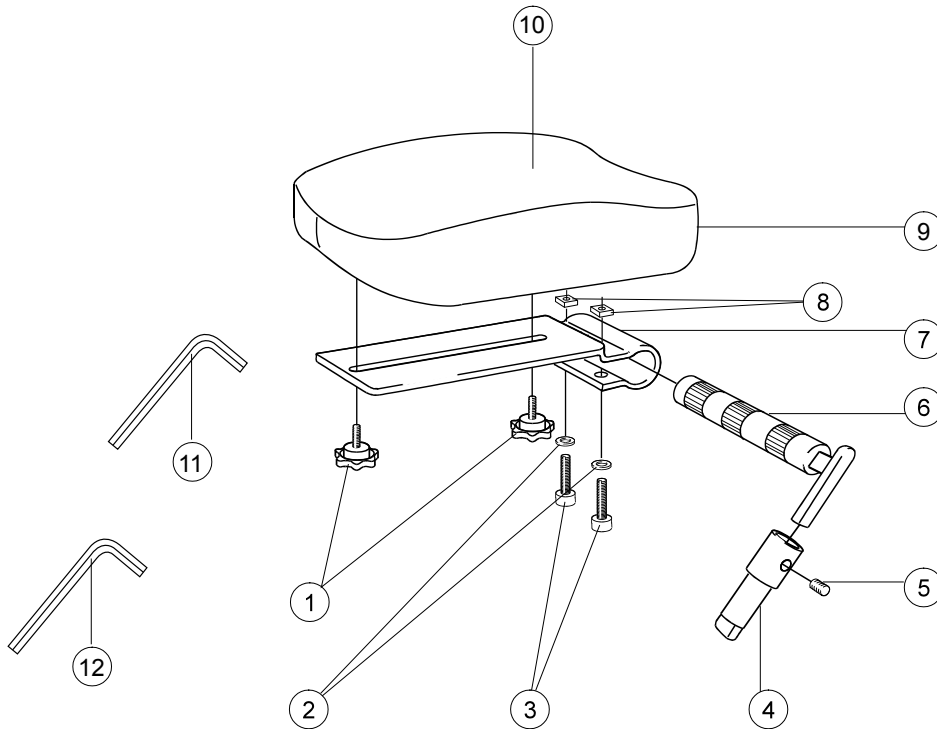
Pos	Description	Item No
1	Calf support 50-60 cm.....	80731
2	Spring washer 18x6.2x0.5 DIN 2093 dakrolit .....	13057
3	Lock washer M 6 DD fzb DIN 6798-D .....	13059
4	Wing nut WN 314.1 25-M 6 polyamid .....	80847
5	Screw M6x30 M6S 8.8 fzb DIN 931 .....	11555
6	Screw M 6x 35 MC6LS fzb .....	11336
7	Washer 6.4x14x1.5 DIN 134 black chrome .....	13058
8	Washer Skiffy 05-6-10-20 .....	50340
9	Calf support legrest elevating .....	25378
1-9	Legrest elevating mod 2 with calf support right ..	25567-1
	Legrest elevating mod 2 with calf support left.....	25567-2
10	See page 16 (footrests)	

## Legrest elevating mod 3



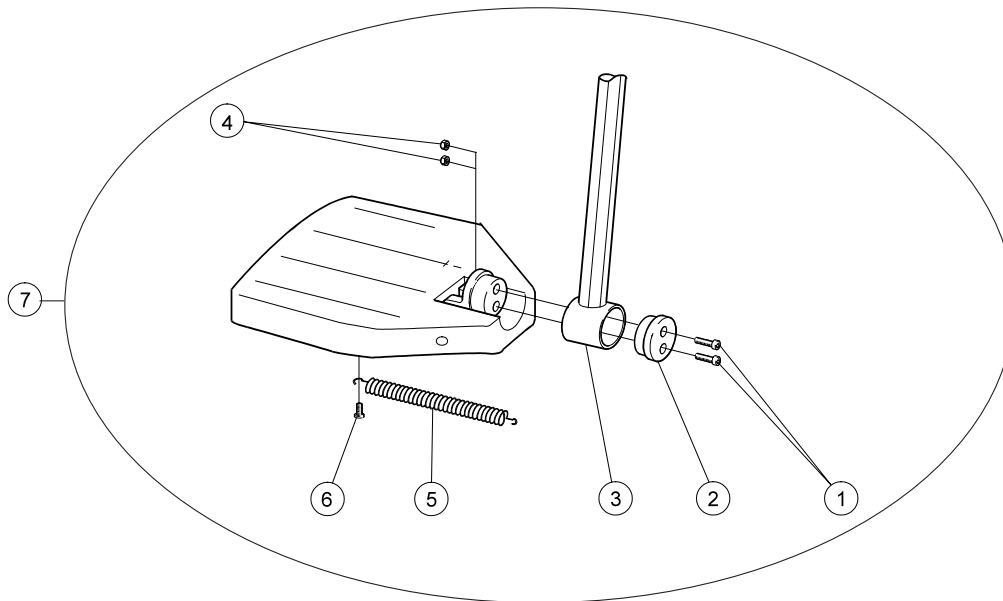
Pos	Description	Item No
1-8	Legrest elevating compl with calf support .....	26100
2	Screw K40x 10 PT-KX black chrome .....	11419
3	Handle adj legrest .....	50842
4	Screw M6x30 M6S 8.8 fzb DIN 931 .....	11555
5	Wing nut WN 314.1 25-M 6 polyamid.....	80847
6	Bracket calf support adj legrest.....	26122
7	Calf support adj legrest.....	50844
8	PUR ring .....	50860
6-8	Calf support compl adj legrest .....	26136
1-5	Legrest elevation without calfsupport .....	27149

# Amputation support



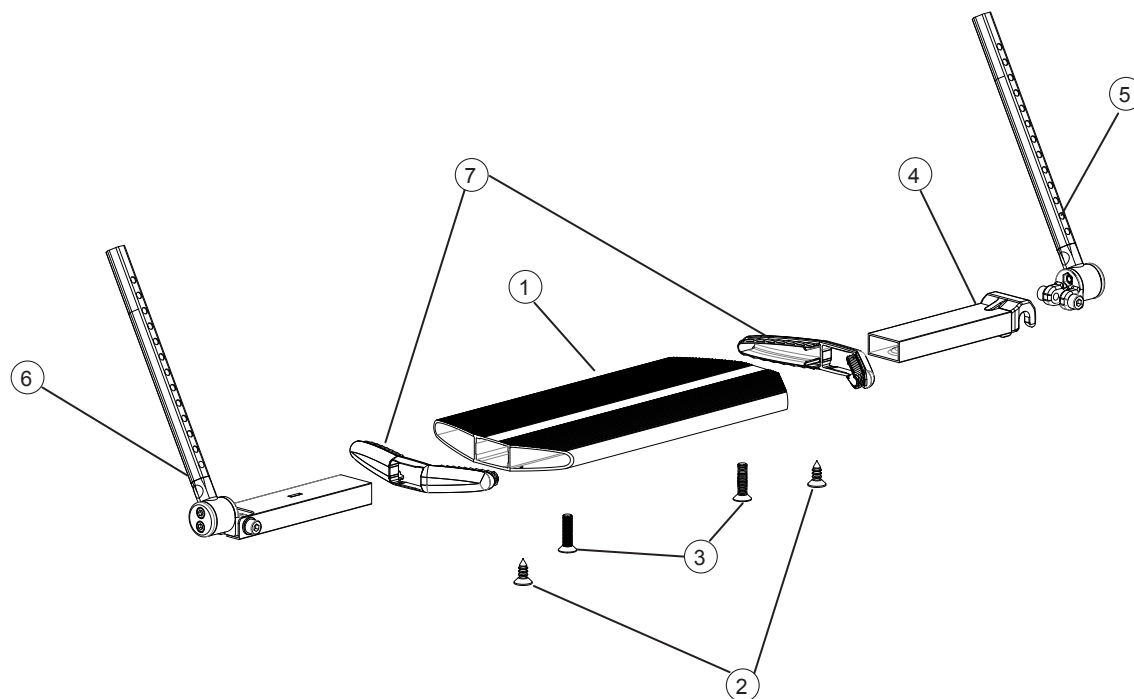
Pos	Description	Item No
1	Knob M 5x15 legrest amputee.....	80807
2	Washer BRB 8.4/A2 stainless.....	13011
3	Screw M 8x 35 MC6S.....	11276
4	Locking tube for legrest amputee .....	25518-01
5	Stop screw M 8x 8 black.....	11388
6	Axle legrest amputee compl.....	25519-01
7	Attachment calf support legrest amputee .....	80809
8	Square nut high M8.....	12056
9	Support pad legrest amputee.....	62335-60
	Support pad legrest Dartex .....	62335-63
10	Cover legrest amputee Cross dark grey .....	62893-60
11	Allen key 4 mm DIN 911.....	80141
12	Allen key 6 mm .....	82625
1-12	Amputation support compl Dark grey .....	25516-60
	Amputation support Cross compl Dartex .....	25516-63

# Footrest



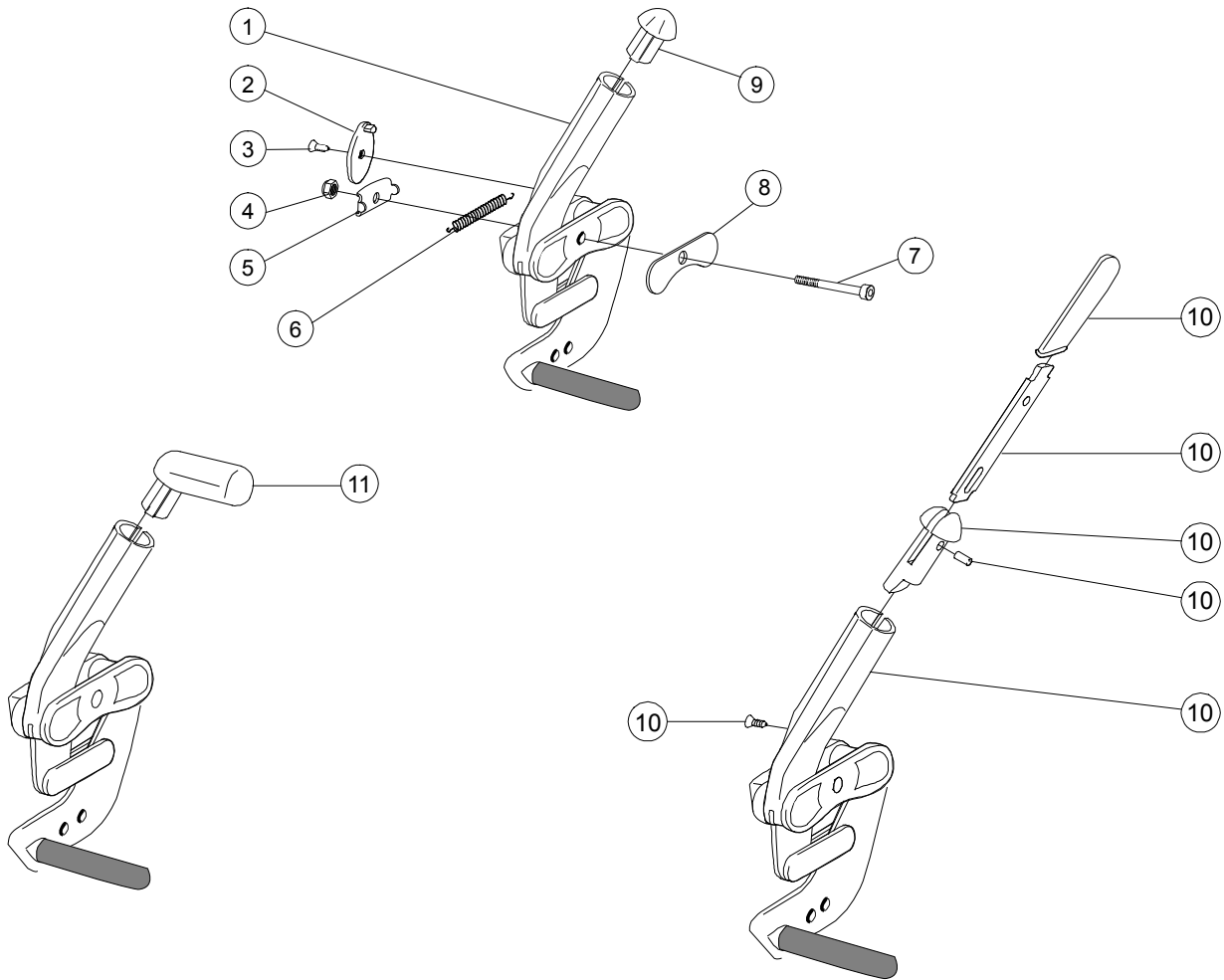
Pos	Description	Item No	Pos	Description	Item No
1	Screw M6x25 MC6S 8.8 fzb ...	11033	7	Footrest short 37.5 cm (15") right	25654-1
2	Locking block footrest .....	20324		Footrest short 37.5 cm (15") left	25654-2
3	Attachment tube footrest adj short	81999		Footrest short 40 cm (16") right	25655-1
	Attachment tube footrest adj ..	81997		Footrest short 40 cm (16") left	25655-2
	Attachment tube footrest adj long	81998		Footrest short 42.5 cm (17") right	25656-1
4	Locking nut M 6 fzb .....	12017		Footrest short 42.5 cm (17") left	25656-2
5	Spring footplate Cross .....	80619		Footrest short 45 cm (18") right	25657-1
6	Screw K40x8 PT-KX PHIL WN 1442 fzb	11344		Footrest short 45 cm (18") left	25657-2
7	(Footrest with std			Footrest short 47.5 cm (19") right	25738-1
	attachment tube 25 cm, 25563")			Footrest short 47.5 cm (19") left	25738-2
	Footrest standard 35 cm (14") right	25641-1		Footrest short 50 cm (20") right	25658-1
	Footrest standard 35 cm (14") left	25641-2		Footrest short 50 cm (20") left	25658-2
	Footrest standard 37.5 cm (15") right	25642-1		(Footrest with long	
	Footrest standard 37.5 cm (15") left	25642-2		attachment +10 cm, 25564")	
	Footrest standard 40 cm (16") right	25643-1		Footrest long 35 cm (14") right	25647-1
	Footrest standard 40 cm (16") left	25643-2		Footrest long 35 cm (14") left..	25647-2
	Footrest standard 42.5 cm (17") right	25644-1		Footrest long 37.5 cm (15") right	25648-1
	Footrest standard 42.5 cm (17") left	25644-2		Footrest long 37.5 cm (15") left	25648-2
	Footrest standard 45 cm (18") right	25645-1		Footrest long 40 cm (16") right	25649-1
	Footrest standard 45 cm (18") left	25645-2		Footrest long 40 cm (16") left .	25649-2
	Footrest standard 47.5 cm (19") right	25736-1		Footrest long 42.5 cm (17") right	25650-1
	Footrest standard 47.5 cm (19") left	25736-2		Footrest long 42.5 cm (17") left	25650-2
	Footrest standard 50 cm (20") right	25646-1		Footrest long 45 cm (18") right	25651-1
	Footrest standard 50 cm (20") left	25646-2		Footrest long 45 cm (18") left..	25651-2
	(Footrest with short			Footrest long 47.5 cm (19") right	25737-1
	attachmnet tube -8 cm, 25565")			Footrest long 47.5 cm (19") left	25737-2
	Footrest short 35 cm (14") right	25653-1		Footrest long 50 cm (20") right	25652-1
	Footrest short 35 cm (14") left	25653-2		Footrest long 50 cm (20") left .	25652-2

## Whole footrest



Pos	Description	Item No
1-7	Footrest one piece 35-37.5 cm compl .....	25936
	Footrest one piece 40-50 cm compl .....	25937
	Footrest one piece 50-60 cm compl .....	26853
1	Whole footrest 35-37.5 cm .....	81130
	Whole footrest 40-50 cm .....	81131
	Whole footrest 50-60 cm .....	81993
2	Screw B 6 3.5x 9.5 FXS black chrome .....	11384
3	Screw M 5x 20 MF6S black chrome .....	11526
4	Locking joint footrest compl .....	25932
5	Attachment tube footrest left .....	25934
6	Attachment tube footrest right .....	25935
7	End caps whole footrest .....	50830

# Brakes



Pos	Description	Item No	Pos	Description	Item No
1-9	Brake right compl .....	27527-1	10	Brake with extended handle compl .....	25515
	Brake left compl .....	27527-2	1-8,10	Brake with extended handle right .....	27530-1
2	Stop detail brake .....	50373		Brake with extended handle left .....	27530-2
3	Screw B6 3.5x9.5 FXS svkr .....	11384		Brake with extended handle right fixed..	27529-1
4	Locking nut M6 DIN 985-6 fzb .....	12017		Brake with extended handle left fixed....	27529-2
5	Washer inner, brake mod 3.....	82564	11	Brake with angled handle complete kit .	27574
6	Spring for brake .....	80796	1-8,11	Brake with angled handle right .....	27528-1
7	Screw M6x50 M6S 8.8 black .....	11433		Brake with angled handle left .....	27528-2
8	Washer outer, brake mod 3 .....	82575			
9	Plug brake .....	50368			



## Rear wheels complete

### 20" Rear wheel

Description	Item No
Rear wheel 20 low pressure handrim cellular rubber.	25812
Rear wheel 20 low pressure handrim plastic-coated	26156
Rear wheel 20 low pressure handrim stainless	25088
Rear wheel 20 low pressure without handrim	25084
Rear wheel 20 solid handrim aluminium .	25922
Rear wheel 20 solid handrim cellular rubber	25816
Rear wheel 20 solid handrim stainless ....	25822
Rear wheel 20 solid without handrim .....	25486

### 22" Rear wheel

Description	Item No
Rear wheel 22 high pressure handrim aluminium	25679
Rear wheel 22 high pressure handrim cellular rubber	25884
Rear wheel 22 high pressure handrim plastic-coated	25881
Rear wheel 22 high pressure handrim stainless	25678
Rear wheel 22 high pressure without handrim	25681
Rear wheel 22 low pressure handrim aluminium	25698
Rear wheel 22 low pressure handrim cellular rubber	25807
Rear wheel 22 low pressure handrim plastic-coated	25835
Rear wheel 22 low pressure handrim stainless	25089
Rear wheel 22 low pressure without handrim	25085
Rear wheel 22 solid handrim aluminium .	25716
Rear wheel 22 solid handrim cellular rubber	25811
Rear wheel 22 solid handrim plastic-coated	25834
Rear wheel 22 solid handrim stainless ....	25514
Rear wheel 22 solid without handrim .....	25487

### 24" Rear wheel

Description	Item No
Rear wheel 24 high pressure handrim aluminium	25182
Rear wheel 24 high pressure handrim cellular rubber	25806
Rear wheel 24 high pressure handrim plastic-coated	25832
Rear wheel 24 high pressure handrim stainless	25097
Rear wheel 24 high pressure without handrim	25023
Rear wheel 24 low pressure handrim aluminium	25437
Rear wheels 24 low pressure handrim cellular rubber	25805
Rear wheel 24 low pressure handrim plastic-coated	25831
Rear wheel 24 low pressure handrim stainless	25091
Rear wheel 24 low pressure without handrim	25022
Rear wheel 24 solid handrim aluminium .	25717
Rear wheel 24 solid handrim cellular rubber	25808
Rear wheel 24 solid handrim plastic-coated	25833
Rear wheel 24 solid handrim stainless ....	25103
Rear wheel 24 solid without handrim .....	25106

---

### 20" Rear wheel / fixed hub

Description	Item No
Rear wheel 20 fixed hub solid handrim aluminium	25921

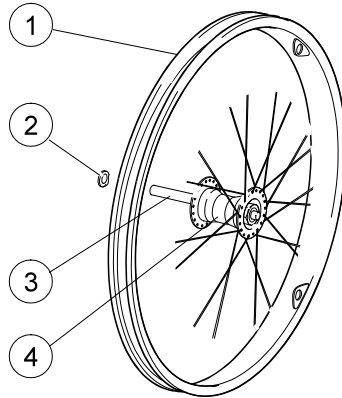
### 24" Rear wheel / fixed hub

Description	Item No
Rear wheel 24 fixed hub solid handrim aluminium	25713
Rear wheel 24 fixed hub solid handrim stainless	25479
Rear wheel 24 fixed hub solid without handrim	25480

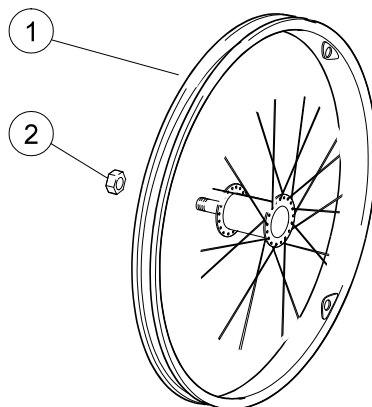
### 22" Rear wheel / fixed hub

Description	Item No
Rear wheel 22 fixed hub solid handrim aluminium	25714
Rear wheel 22 fixed hub solid handrim stainless	25715
Rear wheel 22 fixed hub solid without handrim	25488

## Rear wheels without tube and tyre

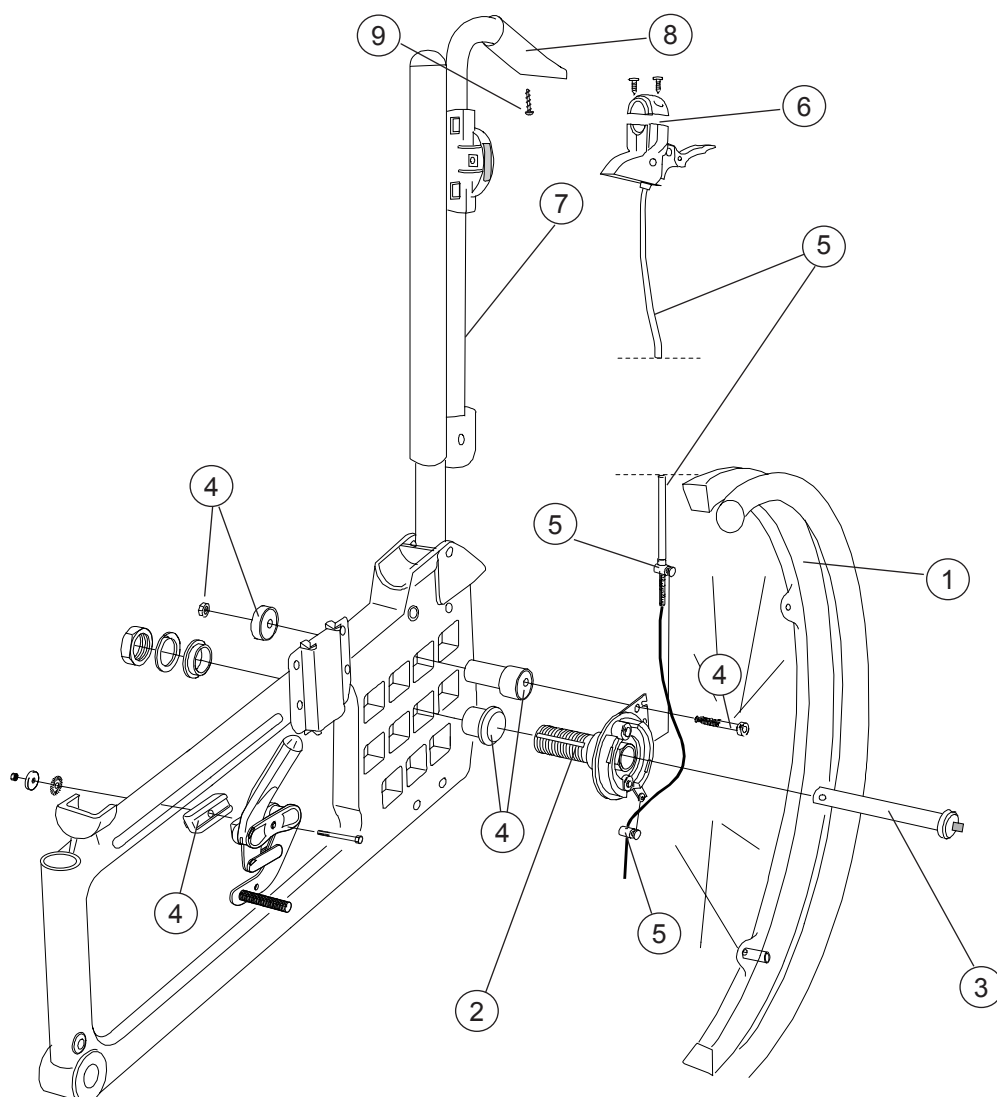


Pos	Description	Item No
1-4	Rear wheel 20 without tyre innertube handrim ..	25200
	Rear wheel 22 without tyre innertube handrim ..	25201
	Rear wheel 24 without tyre innertube handrim ..	25202
2	Washer aluminium hub .....	20350
3	Axle aluminium hub .....	20349
4	Hub aluminium .....	80524



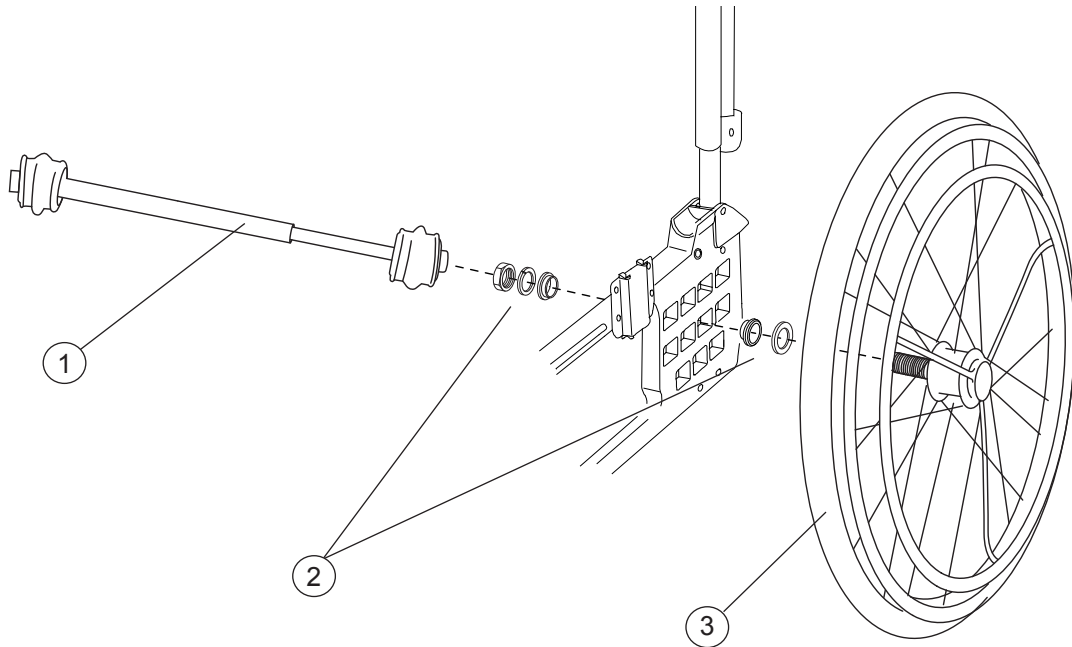
Pos	Description	Item No
1-2	Rear wheel 22 without tyre inner tube handrim fixed hub	25485
	Rear wheel 24 without tyre inner tube handrim fixed hub	25481
2	Nut 5/8 UL6M UNF fzb .....	12016

## Drum brakes



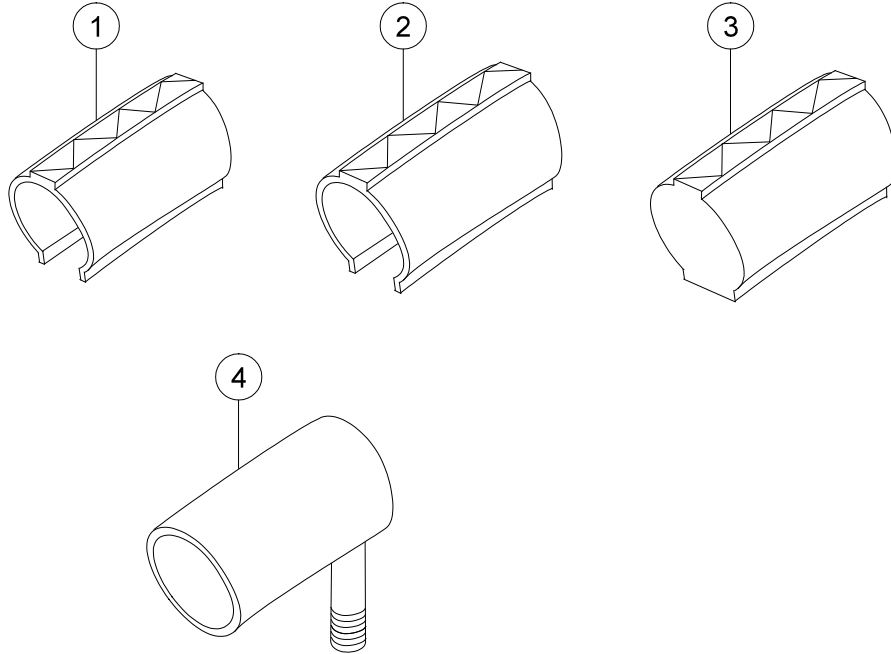
Pos	Description	Item No	Pos	Description	Item No
1	Rear wheel 20 drum brake solid handrim aluminium .....	81337		Rear wheel 24 drum brake solid handrim stainless .....	81348
	Rear wheel 22 drum brake high pressure handrim aluminium .....	81342		Rear wheel 24 drum brake high pressure handrim plastic-coated .....	81350
	Rear wheel 22 drum brake solid handrim aluminium .....	81339		Rear wheel 24 drum brake high pressure handrim stainless .....	81351
	Rear wheel 22 drum brake solid handrim plastic-coated .....	81340	2-7	Attachment kit drum brake Cr/Tw .	27337
	Rear wheel 22 drum brake solid handrim stainless .....	81341	2	Brake shoe kit drum brake right ...	81308
	Rear wheel 22 drum brake high pressure handrim plastic-coated .....	81343		Brake shoe kit drum brake left.....	81309
	Rear wheel 22 drum brake high pressure handrim stainless .....	81344	3	Qr axle drumbrake .....	81325
	Rear wheel 24 drum brake high pressure handrim aluminium .....	81349	4	Attachement kit drum brake .....	81307
	Rear wheel 24 drum brake solid handrim aluminium .....	81346	5	Wire set .....	81805
	Rear wheel 24 drum brake solid handrim plastic-coated .....	81347	6	Brake handle drum brake back 2 ..	26963
			7-9	Push handle h adj Cross drum brake	27428-01
			7	Push handle h adj Cross .....	27298
			8	Cover for handle drum brake .....	82004
			9	Screw B 8 x 6 .....	11041

# Single-hand drive



Pos	Description	Item No
1	Telescoping shaft one-arm drive W35/37.5 cm ...	27317
	Telescoping shaft one-arm drive W40/42.5 cm ...	27318
	Telescoping shaft one-arm drive W45/47.5/50 cm	27319
2-3	Single-hand drive 20" .....	26534
	Single-hand drive 22" .....	26533
	Single-hand drive 24" .....	26522

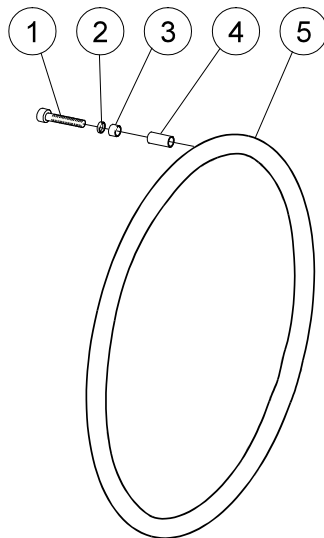
# Tyre and innertube



Pos	Description	Item No	Pos	Description	Item No
1	Tyre 22 x 1 high pressure .....	81125	4	Innertube 20 pneumatic .....	80132
	Tyre 24 pneumatic high pressure .....	80558		Innertube 20 pneumatic high pressure .....	80136
2	Tyre 20 pneumatic .....	80133		Innertube 22 pneumatic .....	80327
	Tyre 22 pneumatic .....	80325		Innertube 24 pneumatic .....	80138
	Tyre 24 pneumatic .....	80137		Innertube 24 pneumatic high pressure .....	80560
3	Tyre 20 solid .....	80787			
	Tyre 22 solid grey .....	81384			
	Tyre 24 solid grey .....	80768			

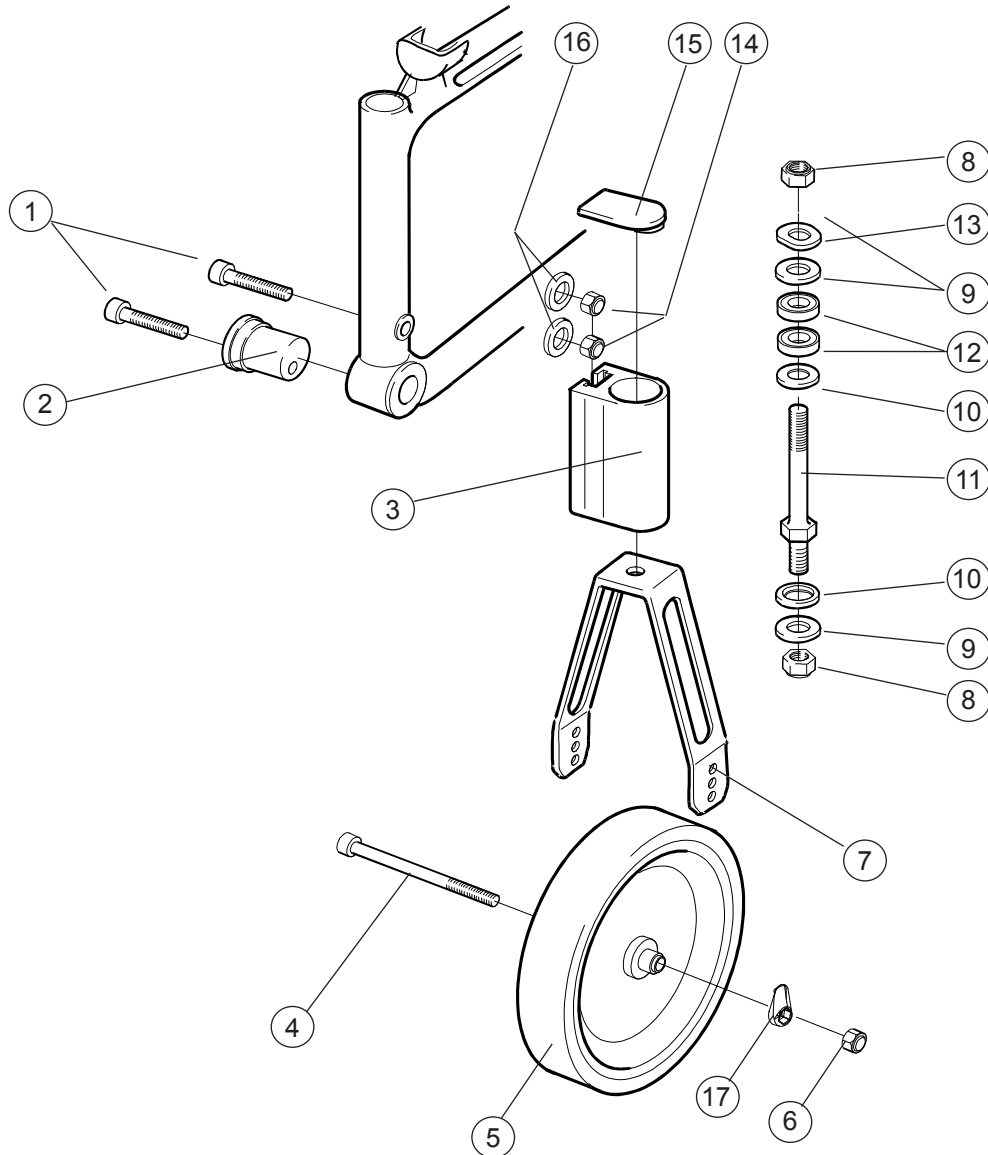
# Handrim

**Aluminium/ Plastic coated/  
Cellular rubber/ Stainless steel**



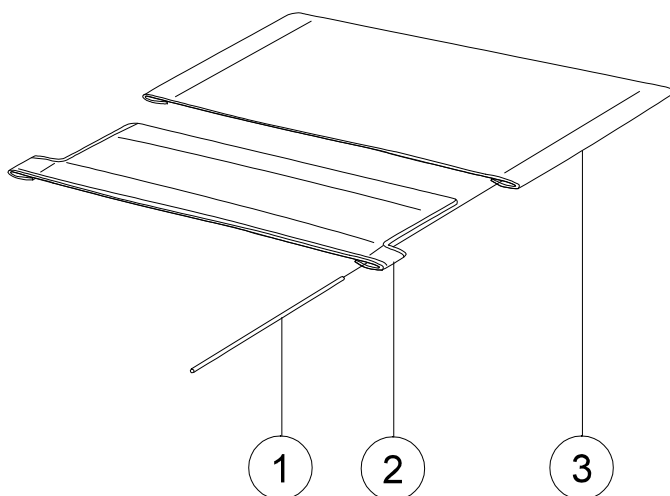
Pos	Description	Item No
1-4	Attachment kit handrim .....	24514
	Handrim D465 wheel 20 aluminium .....	81109
	Handrim D465 wheel 20 plastic-coated .....	81229
	Handrim D465 wheel 20 stainless .....	21034
	Handrim D500 wheel 22 aluminium .....	25636
	Handrim D500 wheel 22 stainless .....	24395
	Handrim D500 wheel 22 plastic-coated .....	80895
	Handrim D470 wheel 22 plastic-coated .....	82175
	Handrim D540 wheel 24 aluminium .....	25181
	Handrim D540 wheel 24 stainless .....	24023
	Handrim D540 wheel 24 plastic-coated .....	80894
	Handrim D540 wheel 24 cellular .....	80800

# Castors



Pos	Description	Item No	Pos	Description	Item No
1	Screw M8x1x40 MC6S 12.9 black .....	11305	8	Locking nut 1/2 UNF low fzb....	12037
2	Off center sleeve .....	81994	9	Washer BRB 13.5 black .....	13031
3	Front fork housing Cross.....	80606	10	Washer BRB 13.5 black .....	13032
	Front fork housing extended.....	80899	11	Axle front fork steel .....	20243
4	Screw M 6x 70 MC6S 12.9 black .....	11349	7-11	Front fork short steel axle .....	24677
5	Wheel 5.....	80590		Front fork medium steel axle ...	24678
	Wheel 6,5" .....	80687	12	Ball bearing 1/2 EE4 2RS .....	80244
6	Locking nut M6 DIN 985-6 black .....	12035	13	Washer 13x24x1.2 DIN 137B fzb	13040
4-6	Castor 5" 125 x 30 solid compl .....	24522	14	Locking nut M8x1 DIN 985 fzb	12051
	Castor 6,5" 165 x 30 solid compl .....	25339	15	Plug attachment front fork ....	50224
7	Front fork short without axle black .....	24554-01	16	Washer BRB 8.4x16x1.6 fzb ....	13001
	Front fork medium without axle black.	24555-01	17	Cover axle wheel .....	50880

# Seat upholstery



**Pos Description ..... Item No**

**Cross backrest mod. 2**

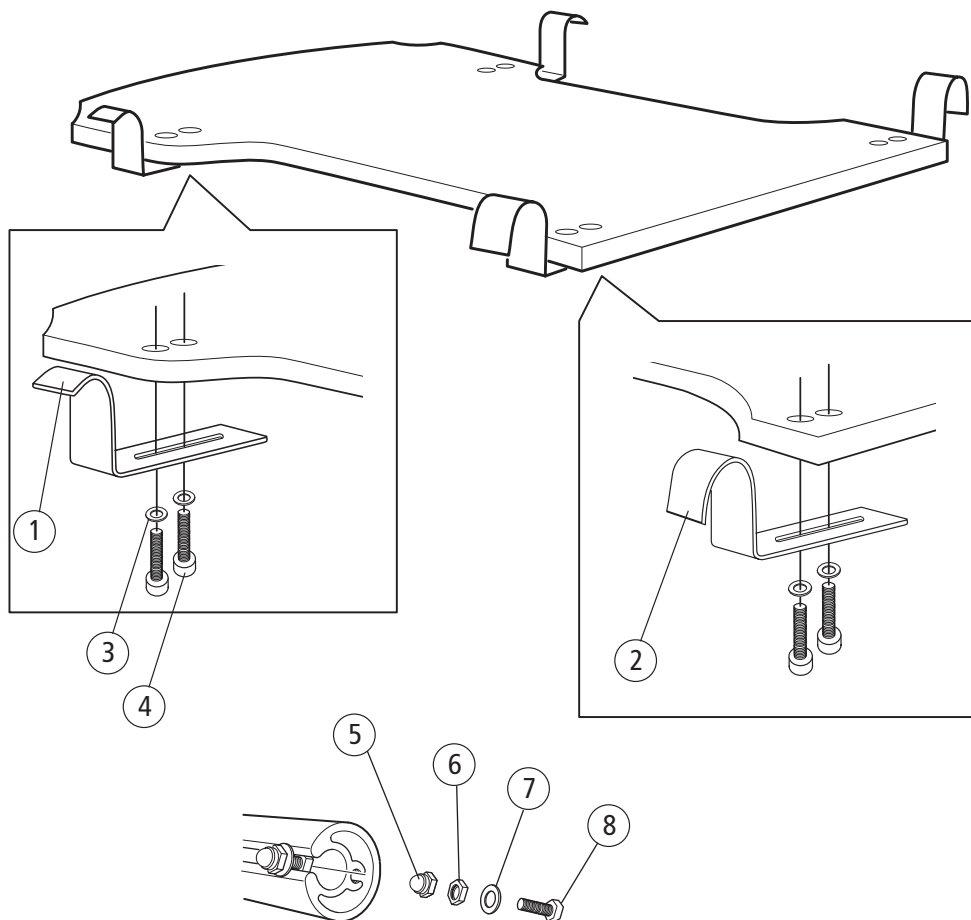
1	Tension rod L381 Cross upholstery seat short .....	80617
	Tension rod L446 Cross upholstery seat long .....	80618
2	Upholstery seat Cross front 35 cm .....	62336
	Upholstery seat Cross front 37.5 cm .....	62337
	Upholstery seat Cross front 40 cm .....	62338
	Upholstery seat Cross front 42.5 cm .....	62339
	Upholstery seat Cross front 45 cm .....	62340
	Upholstery seat Cross front 47.5 cm .....	62385
	Upholstery seat Cross front 50 cm .....	62341
2-3	Upholstery seat Cross short 35 cm (14") black .....	62235-60
	Upholstery seat Cross short 37.5 cm (15") black .....	62236-60
	Upholstery seat Cross short 40 cm (16") black .....	62237-60
	Upholstery seat Cross short 42.5 cm (17") black .....	62238-60
	Upholstery seat Cross short 45 cm (18") black .....	62239-60
	Upholstery seat Cross short 47.5 cm (19") black .....	62372-60
	Upholstery seat Cross short 50 cm (20") black .....	62302-60
	Upholstery seat Cross short 52.5 cm (21") black .....	62400-60
	Upholstery seat Cross short 55 cm (22") black .....	62401-60
	Upholstery seat Cross long 35 cm (14") black .....	62240-60
	Upholstery seat Cross long 37.5 cm (15") black .....	62241-60
	Upholstery seat Cross long 40 cm (16") black .....	62242-60
	Upholstery seat Cross long 42.5 cm (17") black .....	62243-60
	Upholstery seat Cross long 45 cm (18") black .....	62244-60
	Upholstery seat Cross long 47.5 cm (19") black .....	62373-60
	Upholstery seat Cross long 50 cm (20") black .....	62303-60
	Upholstery seat Cross long 52.5 cm (21") black .....	62404-60
	Upholstery seat Cross long 55 cm (22") black .....	62405-60

**Cross backrest 3A**

2-3	Upholstery seat Basic short 35 cm (14") back 3A .....	62718-60
	Upholstery seat Basic short 37,5 cm (15") back 3A .....	62719-60
	Upholstery seat Basic short 40 cm (16") back 3A .....	62720-60
	Upholstery seat Basic short 42.5 (17") back 3A .....	62721-60
	Upholstery seat Basic short 45 cm (18") back 3 .....	62722-60
	Upholstery seat Basic short 47.5 cm (19") back 3A ....	62978-60
	Upholstery seat Basic short 50 cm (20") back .....	62979-60
	Upholstery seat Basic short 52.5 cm (21") back 3A ....	62980-60
	Upholstery seat Basic short 55 cm (22") black .....	62981-60
	Upholstery seat Basic long 35 cm (14") back 3A .....	62728-60
	Upholstery seat Basic long 37,5 cm (15") back 3A .....	62729-60
	Upholstery seat Basic long 40 cm (16") back 3A .....	62730-60
	Upholstery seat Basic long 42.5 cm (17") back 3A .....	62731-60
	Upholstery seat Basic long 45 cm (18") back 3A .....	62732-60
	Upholstery seat Basic long 47,5 cm (19") back .....	62984-60
	Upholstery seat Basic long 50 cm (20") back .....	62985-60
	Upholstery seat Basic long 52,5 cm (21") back .....	62986-60
	Upholstery seat Basic long 55 cm (22") back .....	62987-60

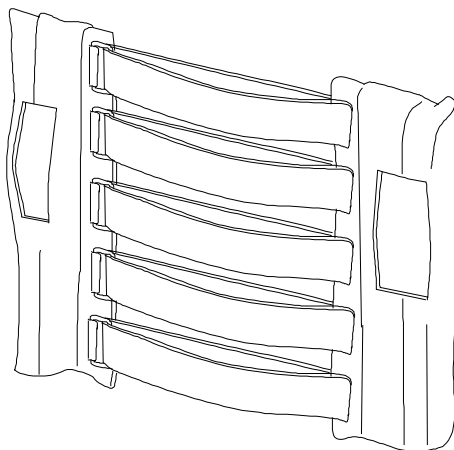


## Solid seat



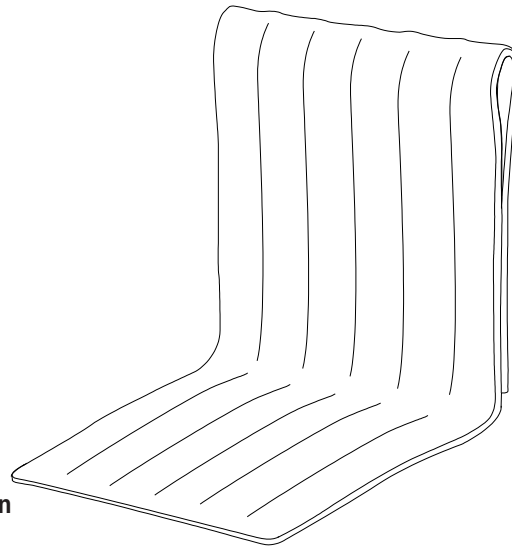
Pos	Description	Item No
1	Seat hook back ECS.....	26414-01
2	Seat hook front ECS .....	26413-01
3	Washer BRB 5.3 fzb .....	13017
4	Screw M 5x 18 MC6S 8.8 fzb .....	11424
5	Domed not M 4 fzb .....	12068
6	Nut M 4 M6M fzb .....	12067
7	Washer 4.3x9x0.8 fzb.....	13066
8	Screw M 4x 12 M6S fzb .....	11593
1-8	Solid seat ECS 35-37.5 cm short .....	26720
	Solid seat ECS 40-42.5 cm short .....	26721
	Solid seat ECS 45-47.5 cm short .....	26722
	Solid seat ECS 50-52.5 cm short .....	26723
	Solid seat ECS 35-37.5 cm long .....	26725
	Solid seat ECS 40-42.5 cm long .....	26726
	Solid seat ECS 45-47.5 cm long .....	26727
	Solid seat ECS 50-52.5 cm long .....	26728
	Solid seat ECS 55 cm long .....	26729

## Backrest upholstery



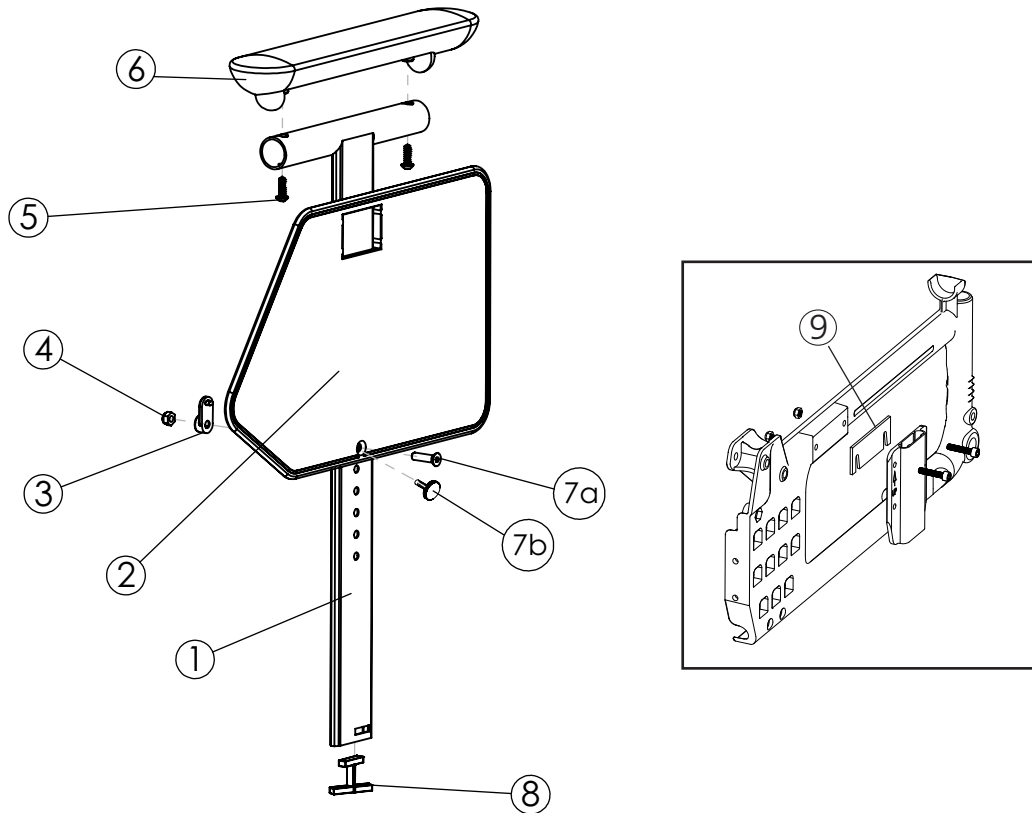
Description	Item No
<b>Cross backrest mod.2</b>	
Upholstery back Cross/Next adj 35/37.5 cm .....	62342-60
Upholstery back Crodd/Next adj 40/42.5 cm .....	62343-60
Upholstery back Cross/Next adj 45 cm .....	62344-60
Upholstery back Cross/Next adj 50 cm .....	62345-60
Upholstery back Cross/Next high 35/37,5 cm .....	62758-60
Upholstery back Cross/Next high 40/42,5 cm .....	62466-60
Upholstery back Cross/Next high 45 cm .....	62467-60
Upholstery back Cross/Next high 47,5/50 cm .....	62468-60
<b>Cross backrest 3A</b>	
Upholstery back adj 35-37,5/40 cm, Crossback mod.3 ....	62953-60
Upholstery back adj 42,5/50 cm, Crossback mod.3 .....	62954-60
Upholstery back adj 52,5/60 cm, Crossback mod.3 .....	62955-60

## Backrest cover



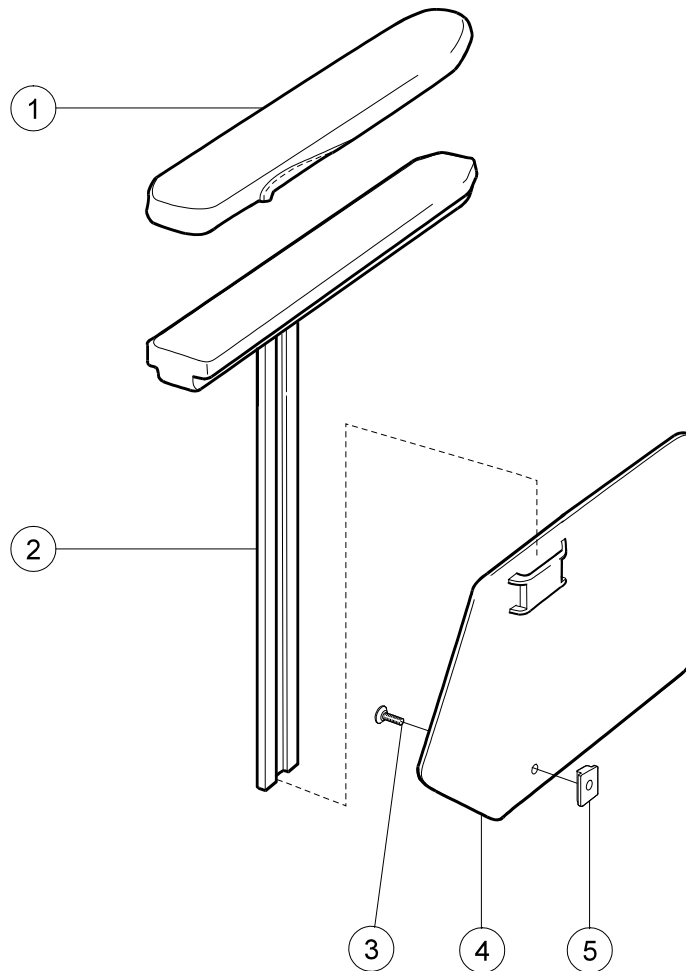
Description	Item No
<b>Cross backrest mod. 2</b>	
Cover back 35 cm (14") dark grey .....	62135-60
Cover back 37.5 cm (15") dark grey .....	62387-60
Cover back 40 cm (16") dark grey .....	62136-60
Cover back 42,5 cm (17") dark grey .....	62388-60
Cover back 45 cm (18") dark grey .....	62137-60
Cover back 47.5 cm (19") dark grey .....	62389-60
Cover back 50 cm (20") dark grey .....	62305-60
Cover back 52.5 cm (21") dark grey .....	62432-60
Cover back 55 cm (22") dark grey .....	62433-60
Cover back high 35 cm Cr/Ne dark grey.....	62478-60
Cover back high 37,5 cm Cr/Ne dark grey.....	62479-60
Cover back high 40 cm Cr/Ne dark grey.....	62469-60
Cover back high 42,5 cm Cr/Ne dark grey.....	62470-60
Cover back high 45 cm Cr/Ne dark grey.....	62471-60
Cover back high 47,5 cm Cr/Ne dark grey.....	62472-60
Cover back high 50 cm Cr/Ne dark grey.....	62473-60
Cover back Cr/Ne hög 52.5 cm (21") dark grey.....	62480-60
Cover back Cr/Ne hög 55 cm (22") dark grey.....	62481-60
Cover back Cr/Ne comf sth/high dark grey 35 cm (14") .....	62895-60
Cover back Cr/Ne comf sth/high dark grey 37,5 cm (15") .....	62896-60
Cover back Cr/Ne comf sth/high dark grey 40 cm (16") .....	62897-60
Cover back Cr/Ne comf sth/high dark grey 42,5 cm (17") .....	62898-60
Cover back Cr/Ne comf sth/high dark grey 45cm (18") .....	62899-60
Cover back Cr/Ne comf sth/high dark grey 47.5 cm (19") .....	62900-60
Cover back Cr/Ne comf sth/high dark grey 50 cm (20") .....	62901-60
Cover back Cr/Ne Komf std/hög 52.5 cm (21").....	62902-60
Cover back Cr/Ne Komf std/hög 55 cm (22").....	62903-60
<b>Cross backrest 3A</b>	
Cover back Cross 35 cm (14") mod.3 dark grey .....	62941-60
Cover back Cross 37,5 cm (15") mod.3 dark grey .....	62942-60
Cover back Cross 40 cm (16") mod.3 dark grey .....	62943-60
Cover back Cross 42,5 cm (17") mod.3 dark grey .....	62944-60
Cover back Cross 45 cm (18") mod.3 dark grey .....	62945-60
Cover back Cross 47,5 cm (19") mod.3 dark grey .....	62946-60
Cover back Cross 50 cm (20") mod.3 dark grey .....	62947-60

## Armrests



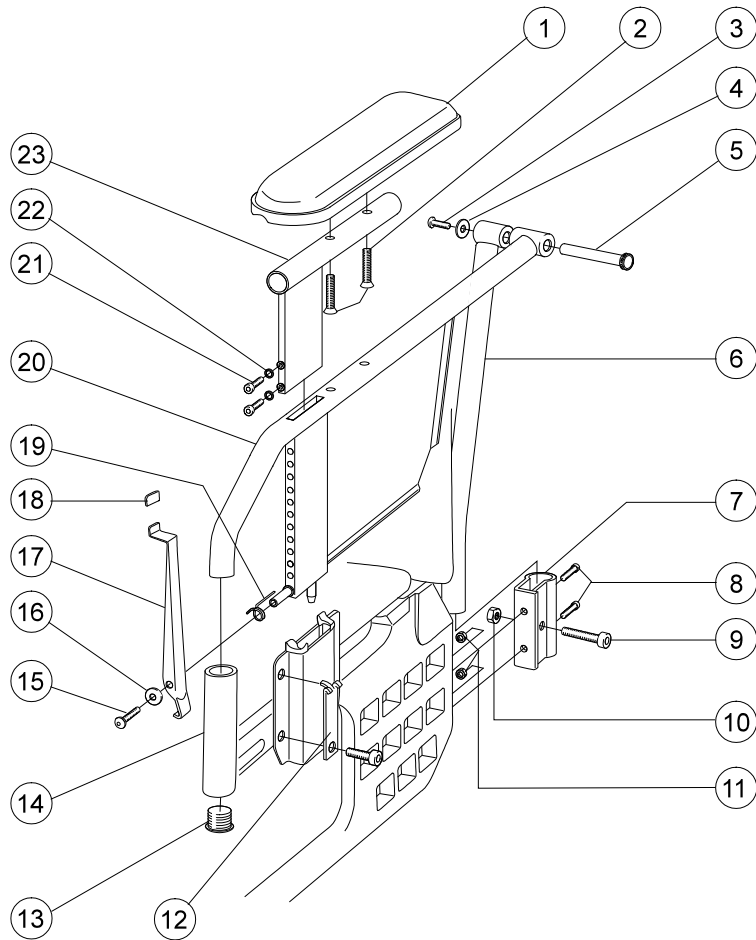
Pos.	Description	Item No
1-7	Armrest M100/Cross short right.....	27230-1
	Armrest M100/Cross short left.....	27230-2
	Armrest M100/Cross long right.....	27231-1
	Armrest M100/Cross long left.....	27231-2
	Armrest Cross short right height adj w finger screw	27349-1
	Armrest Cross short left height adj w finger screw	27349-2
	Armrest Cross long right height adj w finger screw	27350-1
	Armrest Cross long left height adj w finger screw	27350-2
1	Armrest profil M100 short .....	82296
	Armrest profil M100 long right .....	82297-1
	Armrest profil M100 long left .....	82297-2
2	Sideguard Cross/M100 right .....	50316
	Sideguard Cross/M100 left .....	50317
3	Nut pocket armrest.....	50916
4	Locking nut M 5 .....	12036
5	Screw B 8x19 RXS/A2 Philips.....	11064
6	Armrest pad M100 short right .....	82294-1
	Armrest pad M100 short left .....	82294-2
	Armrest pad M100 long right .....	82295-1
	Armrest pad M100 long left .....	82295-2
7a	Screw M 5x 20 MF6S.....	11526
7b	Finger screw M 5x 18 .....	82402
8	Lock armrest M100.....	50915
9	Spacer finger screw .....	27435-01

## Armrests



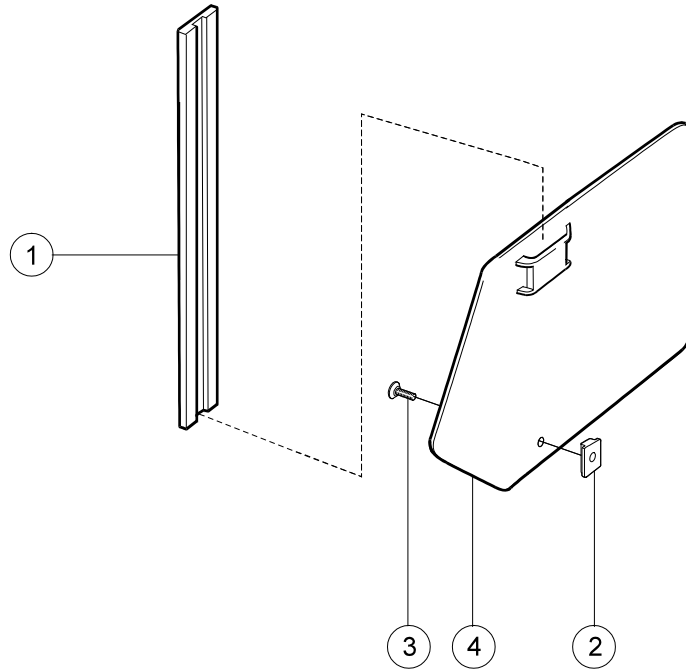
Pos	Description	Item No	Pos	Description	Item No
1	Cover armrest short dark grey.....	62282-60	4	Sideguard Cross/M100 Nylon ri	50316
	Cover armrest long dark grey.....	62283-60		Sideguard Cross/M100 Nylon vä	50317
	Cover armrest Gel short compl .....	26240-60	5	Stop bar for armrest .....	80661
	Cover armrest Gel long compl .....	26241-60	2-5	Armrest M100/Cross short right	27230-1
	Cover armrest short Dartex.....	62282-63		Armrest M100/Cross short left.	27230-2
	Cover armrest long Dartex.....	62283-63		Armrest M100/Cross long right	27231-1
	Cover armrest Gel short compl .....	26240-63		Armrest M100/Cross long left..	27231-2
	Cover armrest Gel long compl Dartex..	26241-63			
2	Armrest Cross 25 cm unassembled ri..	25286-1			
	Armrest Cross 25 cm unassembled le..	25286-2			
	Armrest Cross 38 cm unassembled ri...	25287-1			
	Armrest Cross 38 cm unassembled le..	25287-2			
3	Screw M 5x 14 MF6S 10.9.....	11237			

## Flip-up armrest



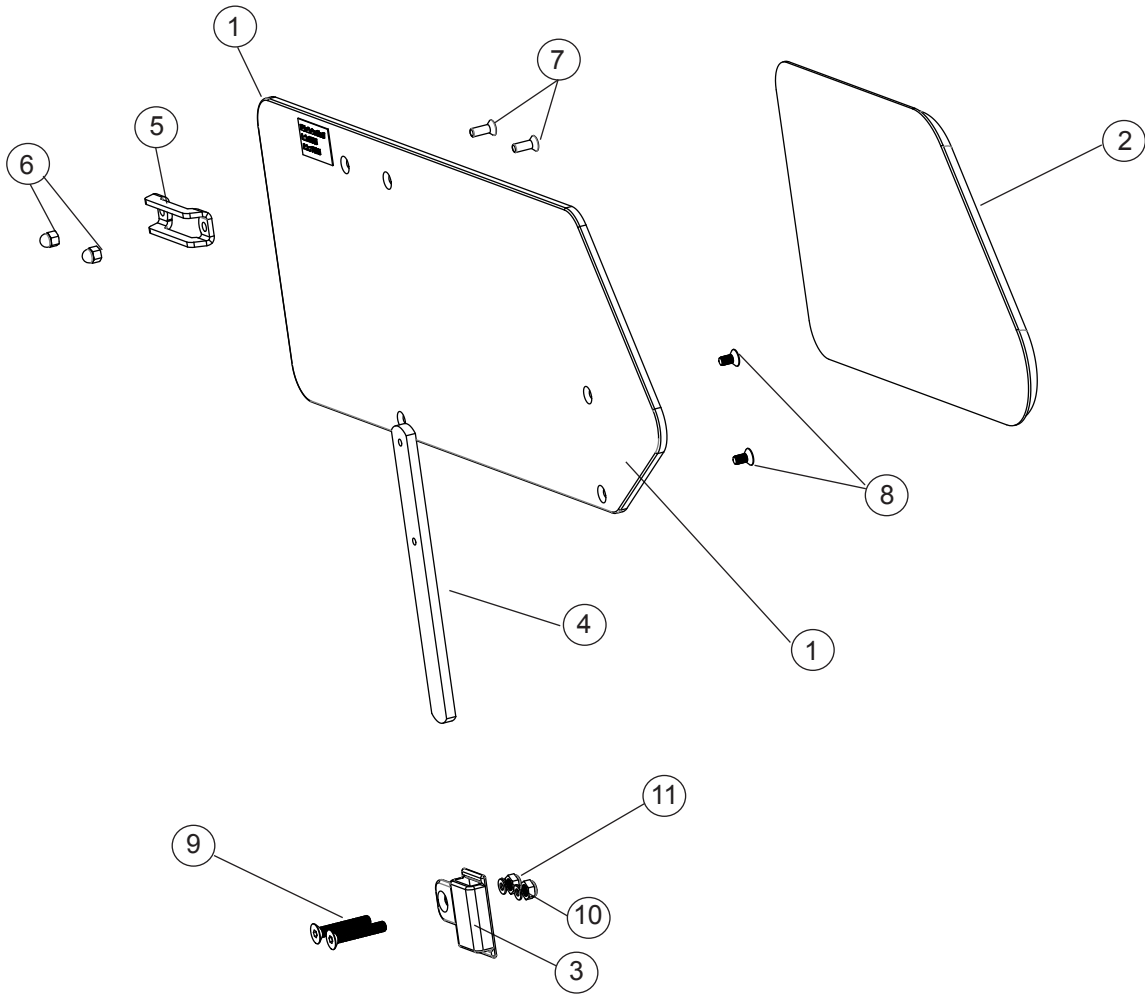
Pos	Description	Item No	Pos	Description	Item No
1	Padded cover armrest flip up....	80826	15	Screw M 5x 12 K6S 10.9 fzb....	11208
2	Screw M 5x 30 MF6S fzb .....	11395	16	Washer NB5x13x1 fzb .....	13067
3	Screw M 5x 12 K6S 10.9 fzb ...	11208	17	Security seat armrest foldable ..	25538-01
4	Spring washer 18x6.2x0.5 DIN 2093 dakrolit .....	13057	18	plastic hood Mocap 1.6x12.7x25.4 red .....	50404
5	Axle armrest ufb Cross.....	20409	19	Spring locking armrest adjust ri	80824
6	Attachment tube armrest ri .....	25541-01-1		Spring locking armrest adjust le	80825
	Attachment tube armrest le .....	25541-01-2	20	Tube armrest flip up ri.....	25540-01-1
7	Attachment armrest flip up....	80821		Tube armrest flip up le .....	25540-01-2
8	Screw M 6x 25 MC6S 8.8 fzb ..	11033	21	Screw M 4x 12 MC6S fzb .....	11396
9	Screw M 8x 35 MC6S fzb .....	11276	22	Washer 4.3x9x0.8 fzb.....	13066
10	Square nut high M8.....	12056	23	Tube armrest flip up height adj	25543-01
11	Locking nut M 6 fzb .....	12017	1-20	Armrest Cross flip up right.....	25551-1
12	Locking plate armrest fu .....	25539-01		Armrest Cross flip up left .....	25551-2
13	Dust cover 19x 1.5 black.....	50010	1-23	Armrest Cross flip up ri .....	25546-1
14	Cover for handle Cross .....	80750		Armrest Cross flip up le .....	25546-2

# Sideguard



Pos	Description	Item No
1	Sideguard bracket Cross 6005 T6 SS4107-06 .....	80631
2	Stop bar for armrest .....	80661
3	Screw M 5x 14 MF6S 10.9.....	11237
4	Sideguard Cross/M100 nylon ri .....	50316
	Sideguard Cross/M100 nylon le .....	50317
1-4	Sideguard Cross ri black .....	25189-1
	Sideguard Cross le black .....	25189-2

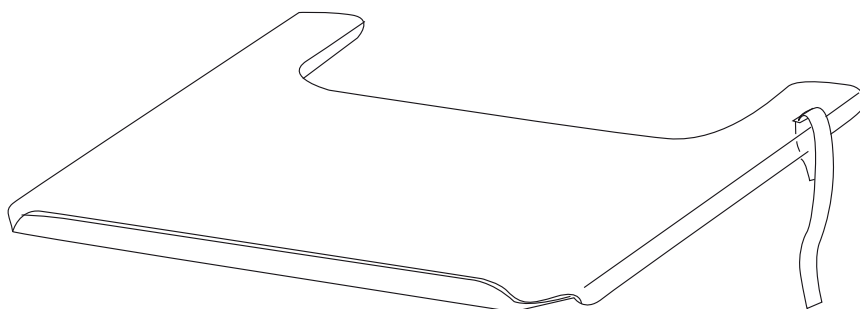
# Thigh support compl.



Pos	Description	Item Nr.
	Thigh support short right complete .....	27391-1
	Thigh support short left complete .....	27391-2
	Thigh support long right complete.....	27392-1
	Thigh support long left complete.....	27392-2
1	Thigh support short .....	82487-1
	Thigh support long .....	82487-2
2	Soft part thigh support complete right .....	82488-1
	Soft part thigh support complete left .....	82488-2
3	Attachment thigh support .....	82489
4	Attachment plate thigh support .....	82490
5	Hold plate armrest .....	27353
6	Nut domed M5 black .....	12042
7	Screw M5x14mf6s black .....	11237
8	Screw M5x10 mf6s black .....	11238
9	Screw M6x35 mf6s .....	11287
10	Washer 6,4x22x4 .....	13062
11	Locking nut M6 black .....	12035

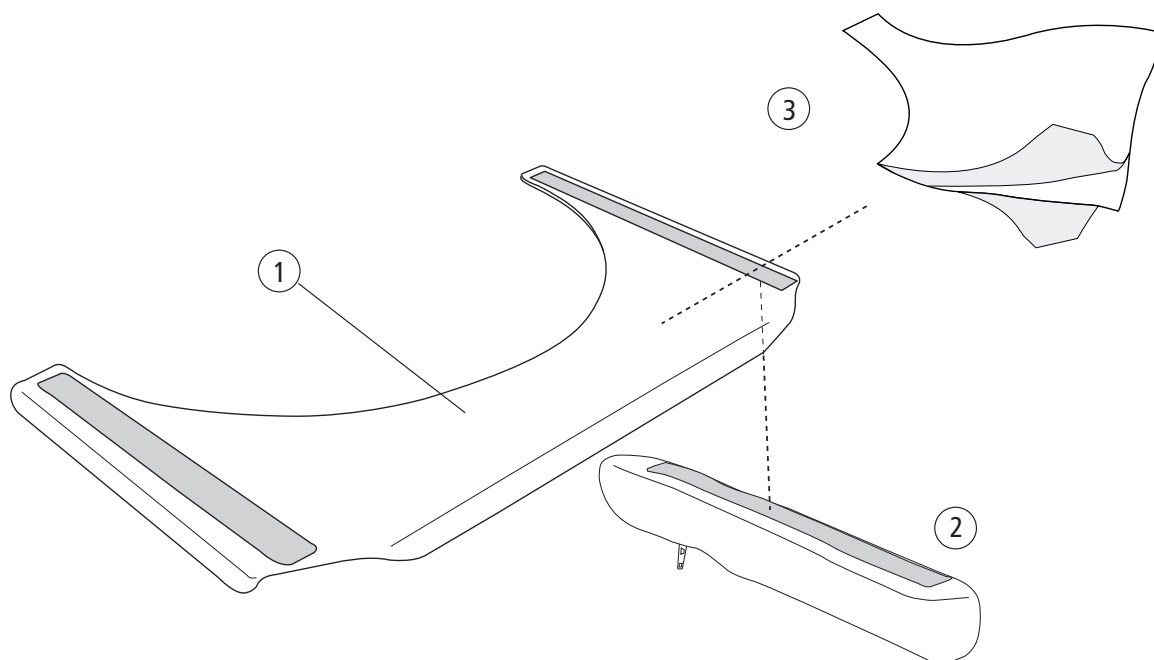


# Tray



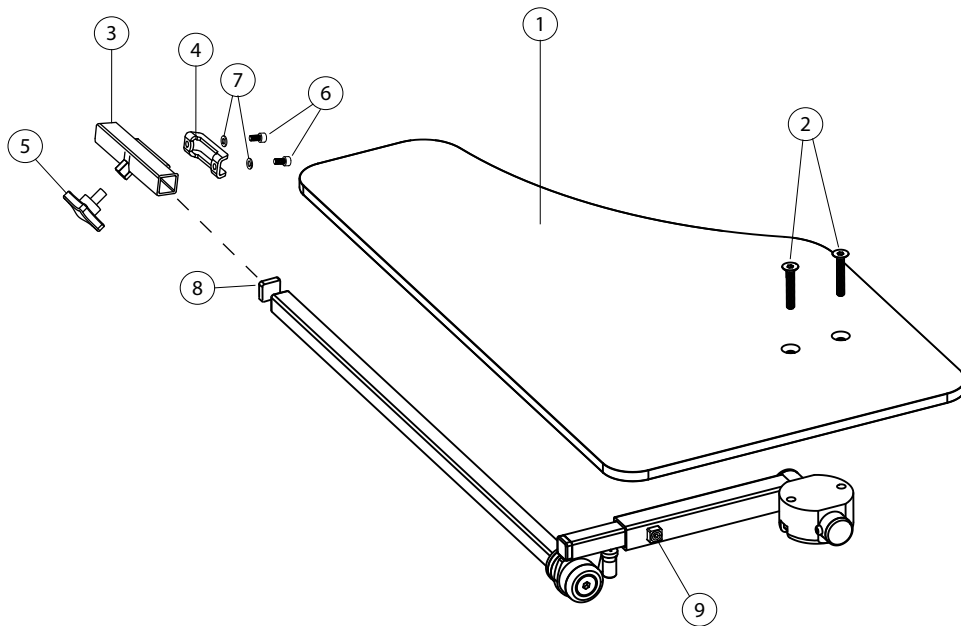
Pos	Description	Item No
1	Strap for tray 27.5-50 cm (11-20) .....	62103
1-2	Tray 45 cm compl for wheelchair 35 cm (14).....	24417
	Tray 47.5 cm compl for wheelchair 37.5 cm (15).	25187
	Tray 50 cm compl for wheelchair 40 cm (16).....	24418
	Tray 52.5 cm compl for wheelchair 42.5 cm (17).	25188
	Tray 55 cm compl for wheelchair 45 cm (18).....	24419
	Tray 57.5 cm compl for wheelchair 47.5 cm (19).	25731
	Tray 60 cm compl for wheelchair 50 cm (20).....	24601

## Tray hemi



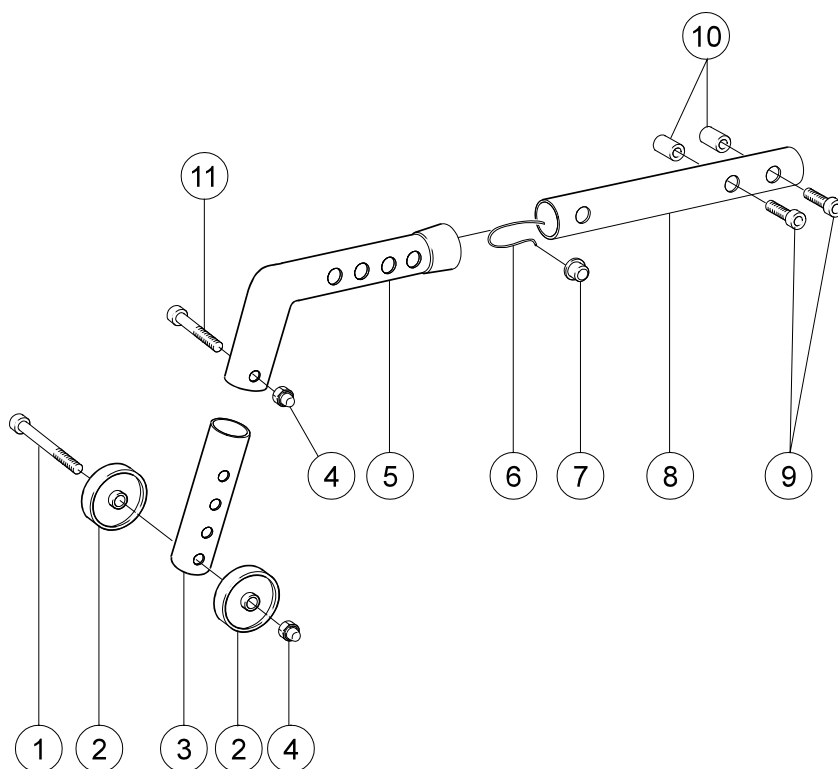
Pos	Description	Item No
2	Cover armrest table hemi short.....	81631
	Cover armrest table hemi long.....	81632
3	Anti glide table hemi 35-40 cm .....	81633
	Anti glide table hemi 42.5-50 cm.....	81634
1-2	Tray hemi 45 cm, with short armrest cover.....	26556
	Tray hemi 47.5 cm, with short armrest cover.....	26557
	Tray hemi 47.5 cm, with short armrest cover.....	26558
	Tray hemi 50 cm, with short armrest cover.....	26559
	Tray hemi 55 cm, with short armrest cover.....	26560
	Tray hemi 57.5 cm, with short armrest cover .....	26561
	Tray hemi 60 cm, with short armrest cover.....	26562
	Tray hemi 45 cm, with long armrest cover .....	26563
	Tray hemi 47.5 cm, with long armrest cover .....	26564
	Tray hemi 50 cm, with long armrest cover .....	26565
	Tray hemi 52.5 cm, with long armrest cover .....	26566
	Tray hemi 55 cm, with long armrest cover .....	26567
	Tray hemi 57.5 cm, with long armrest cover .....	26568
	Tray hemi 60 cm, with long armrest cover.....	26569

## Tray hemi tip up



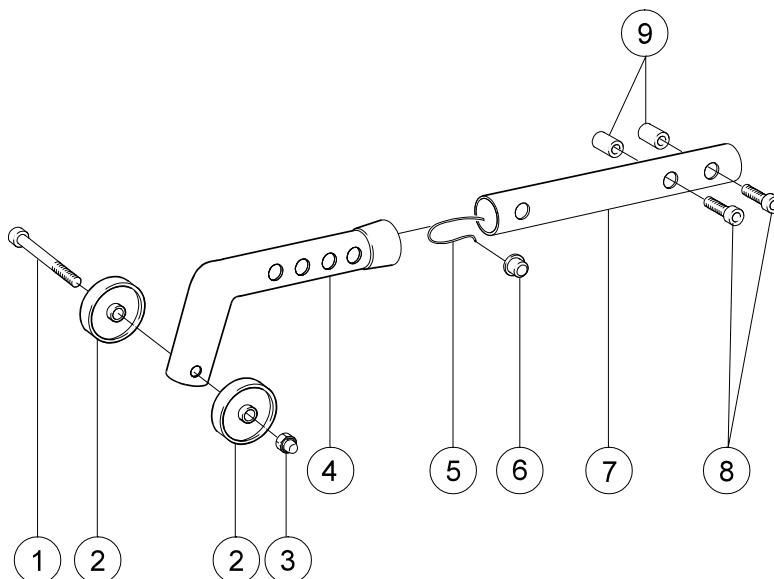
Pos	Benämning	Art nr
1-9	Tray hemi tip-up right .....	27352-1
	Tray hemi tip-up left .....	27352-2
1	Plate table .....	82420
2	Screw MF6S M6 x 35 fzb .....	11287
3	Hold arm rest.....	27356
4	Hold plate arm rest.....	27353
5	Locking wheel M8x14mm L.....	400118
6	Screw M 5x 8 MC6S .....	11414
7	Washer 5,3 x 10 x 0,5 fzb.....	13026
8	IFR 1515-1,55.....	50972
9	Stop screw M6 x 10.....	11614

# Anti-tip



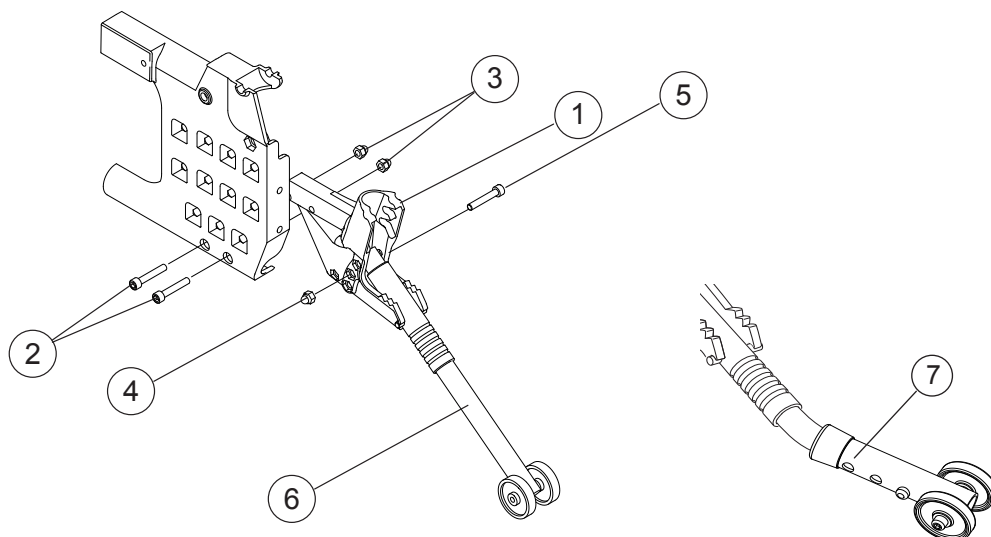
Pos	Description	Item No
1	Screw M 5x 50 MC6S fzb .....	11373
2	Wheel for anti tip black .....	80727
3	Extensionpart short .....	25376
	Extensionpart long .....	25377
4	Locking nut M 5 domed fzb .....	12042
5	Anti tip tube short .....	25375
	Anti tip tube long .....	25374
6	Spring with pin D7.8 mm.....	80438
7	Telescopic knob anti tip.....	25307
8	Attachment tube anti tip .....	25178
9	Screw M 6x 16 MC6S 12.9.....	11253
10	Threaded cap D10 M6 L18 .....	15008
11	Screw M 5x 30 MC6S fz .....	11346
1-11	Anti tip Cross.....	25177

# Anti-tip



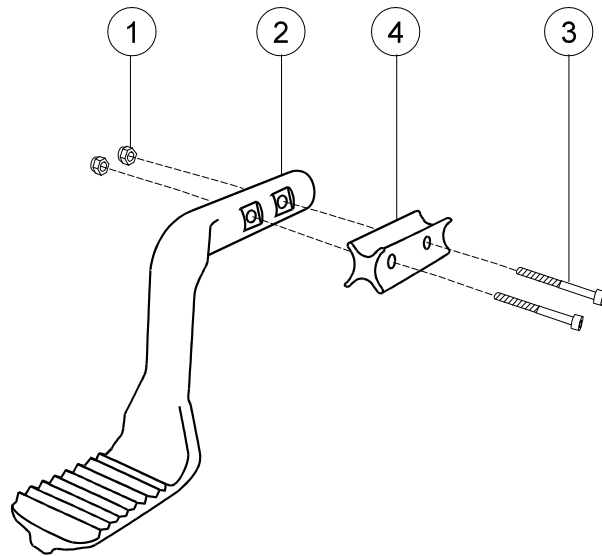
Pos	Description	Item No
1	Screw M 5x 50 MC6S fzb .....	11373
2	Wheel for anti tip black .....	80727
3	Locking nut M 5 domed fzb.....	12042
4	Anti tip tube short .....	25375
	Anti tip tube long .....	25374
5	Spring with pin D7.8 mm.....	80438
6	Telescopic knob anti tip .....	25307
7	Attachment tube anti tip .....	25178
8	Screw M 6x 16 MC6S 12.9.....	11253
9	Threaded cap D10 M6 L18 .....	15008
1-9	Anti tip Cross.....	25302

## Anti-tip



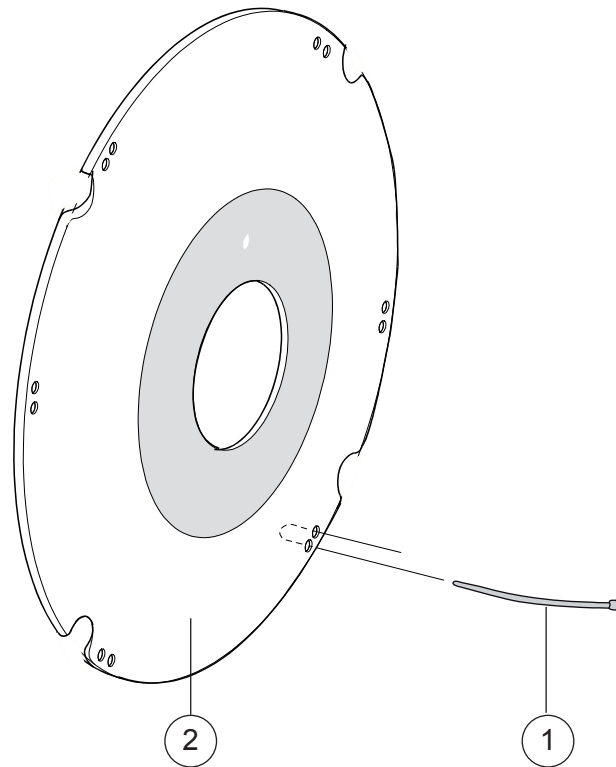
Pos	Description	Item No
1	Attachment anti-tip Cross/Twin right .....	81247
	Attachment anti-tip Cross/Twin left .....	81248
2	Screw M 6x 35 MC6S .....	11533
3	Domed nut M 6 black .....	12005
4	Locking nut M 6 fzb .....	12017
5	Screw M 6x 40 MC6S fzb .....	11229
6	Anti-tip tube	
1-6	Anti tip Cross/Twin 20-22.....	26270-1
	Anti tip Cross/Twin 20-22.....	26270-2
1-6	Anti tip Cross/Twin compl ri.....	26162-1
	Anti tip Cross/Twin compl le.....	26162-2
1-5,7	Anti tip Cross telescoping ri.....	26869-1
	Anti tip Cross telescoping le.....	26869-2

# Tilter



Pos	Description	Item No
1	Locking nut M 6 .....	12035
2	Tilter Cross .....	80716
3	Screw M 6x 25 MC6S 12.9 .....	11317
1-3	Tilter Cross .....	25368
4	Adapter tilter compl.....	25395

# Spoke guard



Pos	Description	Item No
1	Attachment kit spokeguard .....	26276
1-2	Spoke guard 20" with logo grey .....	25502-28
	Spoke guard 20" with logo yellow.....	25502-29
	Spoke guard 22" with logo grey .....	25503-28
	Spoke guard 22" with logo yellow.....	25503-29
	Spoke guard 24" with logo grey.....	25504-28
	Spoke guard 24" with logo yellow.....	25504-29

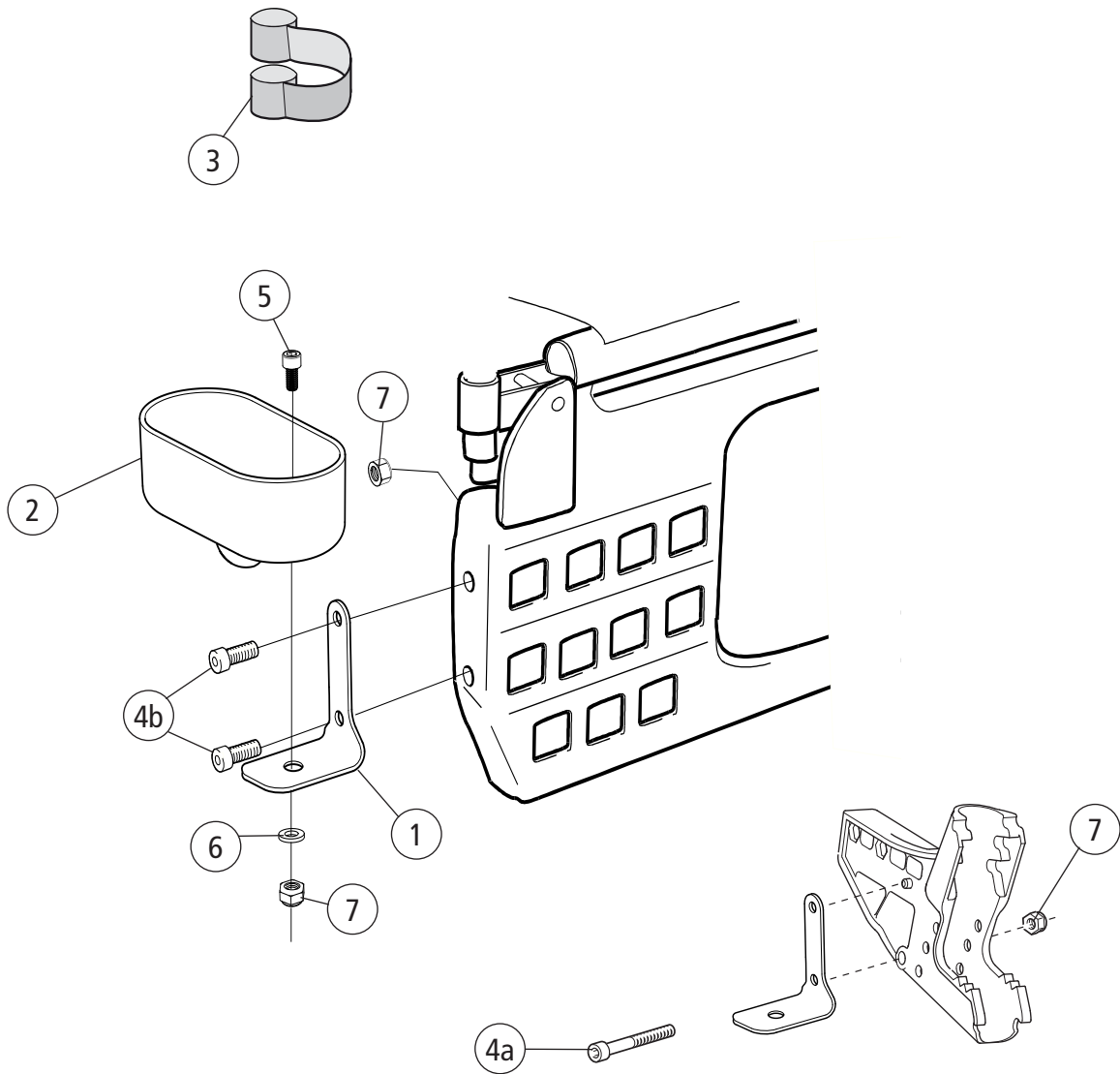


# Quad quickrelease adapter



Pos	Description	Item No
1	Locking nut M 5 DIN 985-6 fzb.....	12003
2	Washer 6.4x 14x 1.55 alu .....	13010
3	Spring 1.5 inv 6 L15 fzb .....	80019
4	Tongue tetra knob black .....	24040-01
5	Screw M 5x 35 fzb .....	11001
1-5	Quad quick release adapt black .....	24051-01

# Cane holder



Pos	Description	Item No
1-7	Cane holder universal compl.....	27327
1	Bracket cane holder.....	82390
2	Cane holder M100 .....	50866
3	Elastic ribbon Cross black.....	80621
4a	Screw M 6x 40 MC6S fzb .....	11229
4b	Screw M 6x 20 MC6S 8.8.....	11392
5	Screw M6 x 12 MC6S 8,8 fzb .....	11577
6	Washer 6.4x14x1.5 DIN 134 black chrome.....	13058
7	Locking nut M 6 fzb .....	12017