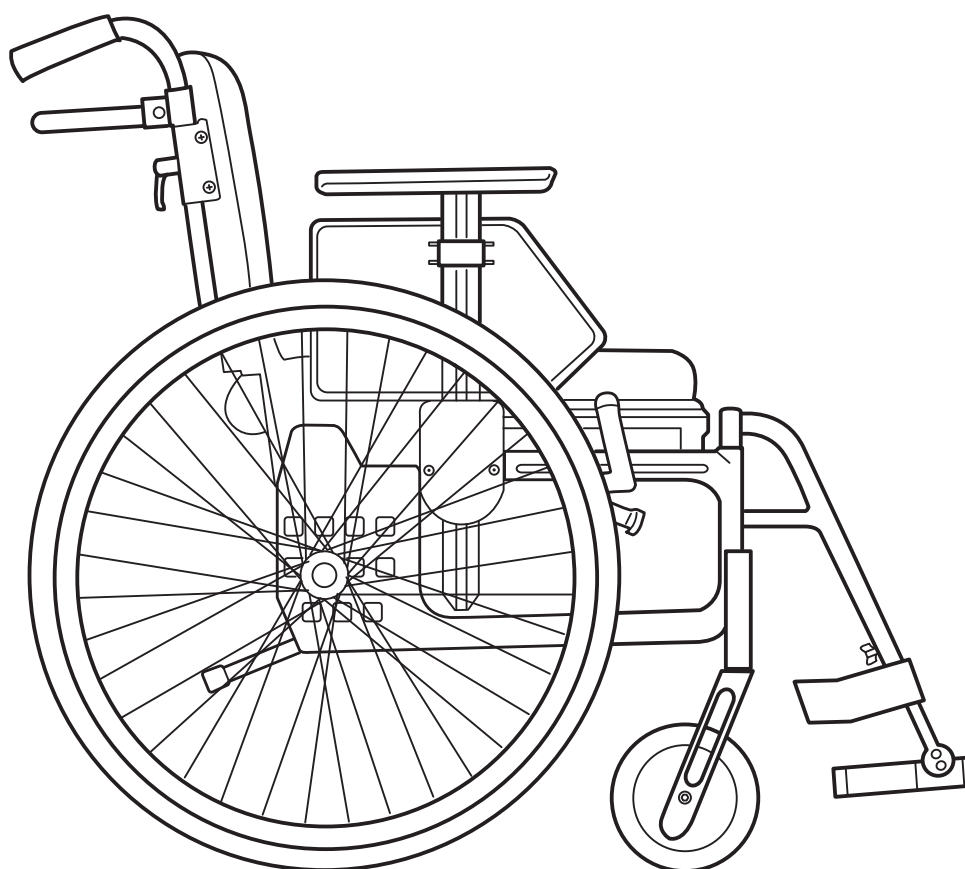


# Etac Cross XL

## Etac Cross XL with drum brakes



# Index

Content	Page
Side Frame .....	3
Cross frame .....	4
Backrest tube adjustable XL .....	5
Backrest 3A .....	6-7
Backrest tube high adjustable .....	8
Bow handle .....	9
Backrest brace .....	10
Legrest .....	11
Legrest elevating mod 1 .....	12
Legrest elevating mod 2 .....	13
Legrest elevating mod 3 .....	14
Amputation support .....	15
Footrest .....	16
Whole footrest.....	17
Brakes .....	18
Rear wheels complete .....	19
Rear wheels without tube and tyre .....	20
Drum brakes.....	21
Single-hand drive .....	22
Tyre and innertube .....	23
Handrim .....	24
Castors .....	25
Seat upholstery .....	26
Solid seat .....	27
Backrest upholstery .....	28
Backrest cover .....	29-31
Armrests .....	32-33
Flip-up armrest .....	34
Sideguard .....	35
Thigh support .....	36
Mudguard .....	37
Trunk support .....	38
Seat extension .....	39
Tray .....	40
Tray hemi tip-up.....	41
Anti-tip .....	42-44
Tilter .....	45
Spoke guard/ Positioning belt .....	46
Quick release adapter .....	47
Cane holder .....	48
Headrest .....	49-50
Width expansion kit.....	51

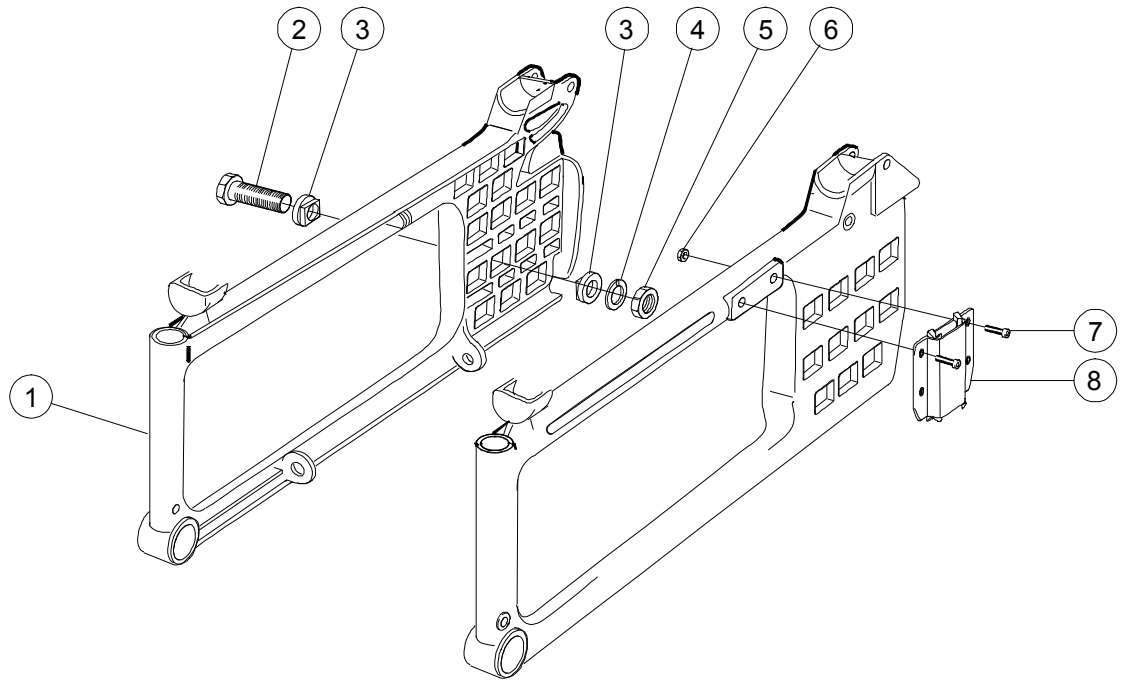
Frame colours:

01=black, 02=red, Hammarlite: 22=grey, 30=blue, 33=see green, 34=plum, 53=grey blast

Upholstery:

60=dark grey fabric

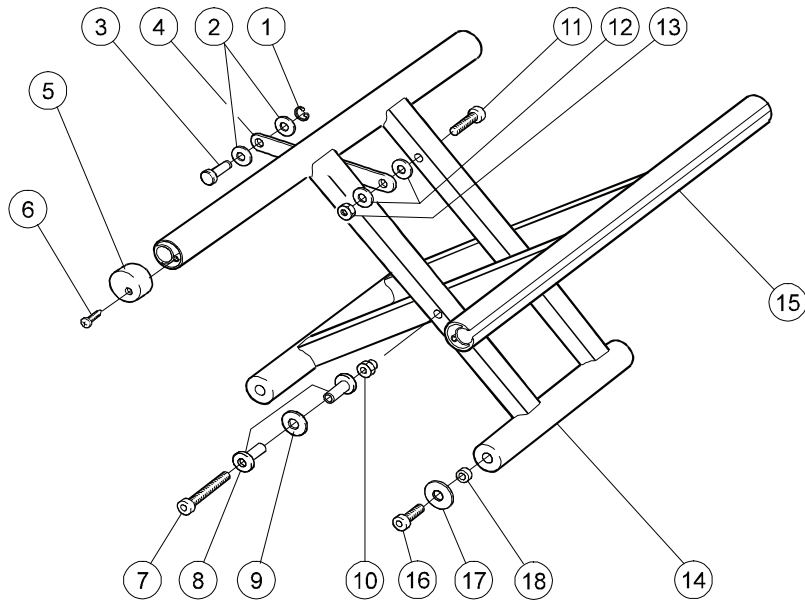
## Side frame



xx=Frame colours, see page 2

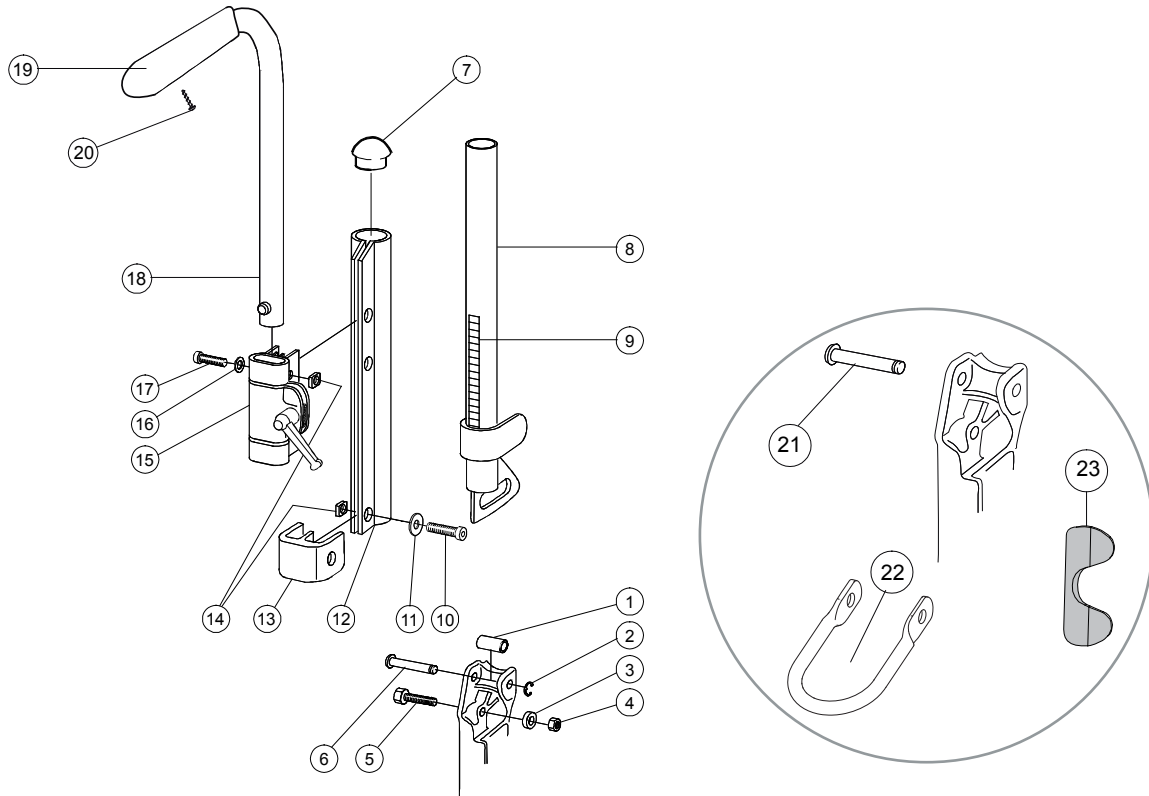
Pos	Description	Item No
1, 6-8	Side frame short right .....	25561-xx-1
	Side frame short left .....	25561-xx-2
	Side frame long right .....	25562-xx-1
	Side frame long left .....	25562-xx-2
2	Axle sleeve .....	20079
3	Camber washer 2 degr .....	80594
	Camber washer 0 degr .....	20331
4	Locking washer AZ 518 .....	13039
5	Nut 518 UL6M UNF FZB .....	12016
6	Locking nut M6 black chrome .....	12035
7	Screw M6x20 black chrome .....	11392
8	Attachment armrest .....	25535

## Cross frame



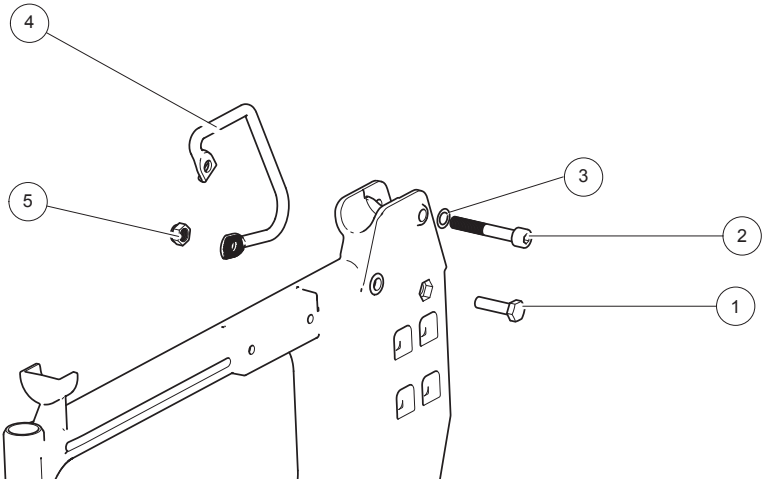
Pos	Description	Item No	Pos	Description	Item No
1	Cir clip RSM 4 stainless .....	13054	4-15	Cross short 47.5 (19) compl mod 4.....	27841-01
2	Joint bushing .....	50285		Cross short 50 (20) compl mod 4.....	27842-01
3	Axle plate frame .....	20332		Cross short 52.5 (21) compl mod 4.....	27843-01
1-3, 5-6, 16-18	Attachment kit frame kit .....	25765		Cross short 55 (22) compl mod 4.....	27844-01
4	Plate cross frame 47,5 cm (19") .....	25725		Cross short 57.5 (23) compl mod 4.....	27845-01
	Plate cross frame 50 cm (20") .....	25451		Cross short 60 (24) compl mod 4.....	27846-01
	Plate cross frame 52,5 cm (21") .....	26035		Cross long 45 (18) compl mod 4.....	27847-01
	Plate cross frame 55 cm (22") .....	26036		Cross long 47.5 (19) compl mod 4.....	27848-01
	Plate cross frame 57,5 cm (23") .....	26037		Cross long 50 (20) compl mod 4.....	27849-01
5	Plug seat tube cross .....	50406		Cross long 52.5 (22) compl mod 4.....	27850-01
6	Screw B 8x 16 FXS black chrome .....	11401		Cross long 55 (22) compl mod 4.....	27851-01
7	Screw M6x55 Mc6S 12.9 fzb .....	11351		Cross long 57.5 (23) compl mod 4.....	27852-01
8	Cross brace washer .....	20383	16	Cross long 60 (24) compl mod 4.....	27853-01
9	Washer 6.4x14x1.5 black .....	13058	16	Screw M 6x 25 MC6S svkr esloc 8.8 ...	11636
10	Washer skiffy 12.5x6.4x1 .....	50277	17	Washer 25/10/1.5 black .....	50281
11	Domed nut M6 black .....	12005	18	Joint Cross frame .....	20322
12	Screw M5x35 Mc6S 12.9 fzb .....	11290			
13	Joint bushing .....	50285			
14	Locking nut M5 black0 .....	12036			

# Backrest tube Etac Cross XL

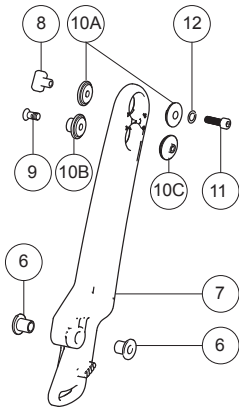


Pos	Description	Item No	Pos	Description	Item No
1	Joint support backrest .....	20319	14	Square nut high M6 fzb .....	12058
2	Cir clip RSM 6 stainless .....	13036	7-14	Backrest tube right complete .....	25609-01-1
3	Spacer 20/8.5/9.5 .....	20320		Backrest tube left complete .....	25609-01-2
4	Locking nut M8x1 DIN 985 fzb .....	12051	15	Attachment push handles complete	25676
5	Screw M8x1x30 10.9 Dy960/961 bla ..	11363	16	Washer BRB M6 black .....	13030
6	Axle back joint .....	20318	17	Screw M6x30 MC6S black esloc .	11398
7	Plug 25-21/23 R12.5 white .....	50248	18-20	Push handle h adj Cross XL std ....	27341-01
8	Back tube back 2 black .....	25593-01	18	Push handles high adjustable .....	27340-01
9	Label height adjustment back 2 .....	71851	19	Cover for handle.....	82221
10	Screw M 6x 22 MC6S fzb .....	11012	20	Screw B 8 x 16.....	11041
11	Washer BRB 6x3x10x1.5 fzb .....	13080	21-23	Securement points compl .....	26910
12	Wedge back 6063A-T6 .....	80851	21	Axle positioning belt .....	20416
13	Dust cover right PA 6/6 30% glass .....	50405	22	Securement points .....	81980
	Dust cover left PA 6/6 30% glass .....	50407	23	Protection seatbelt .....	50871

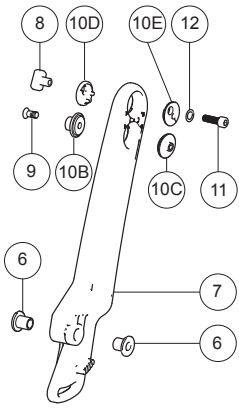
# Backrest 3A



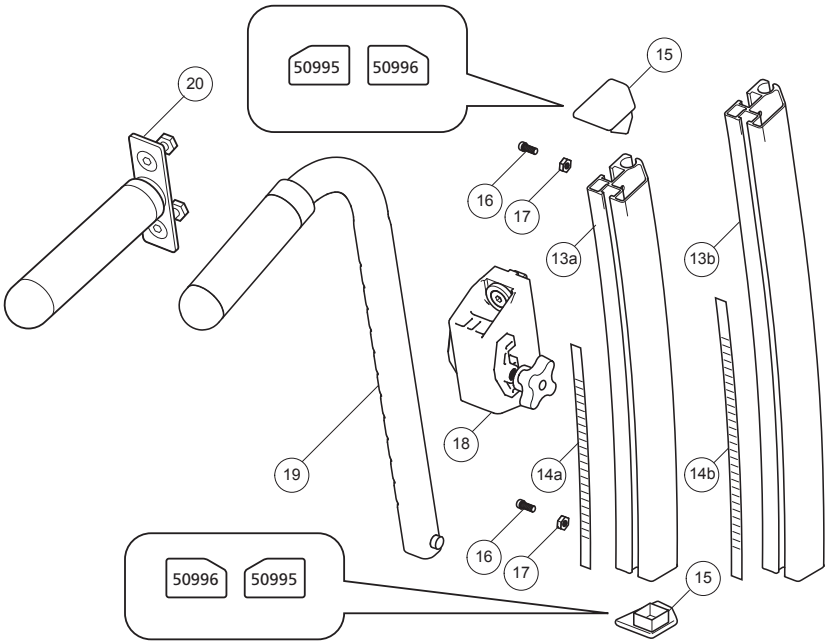
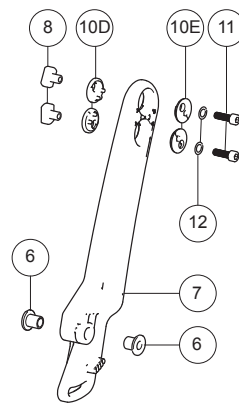
Mono



Bi



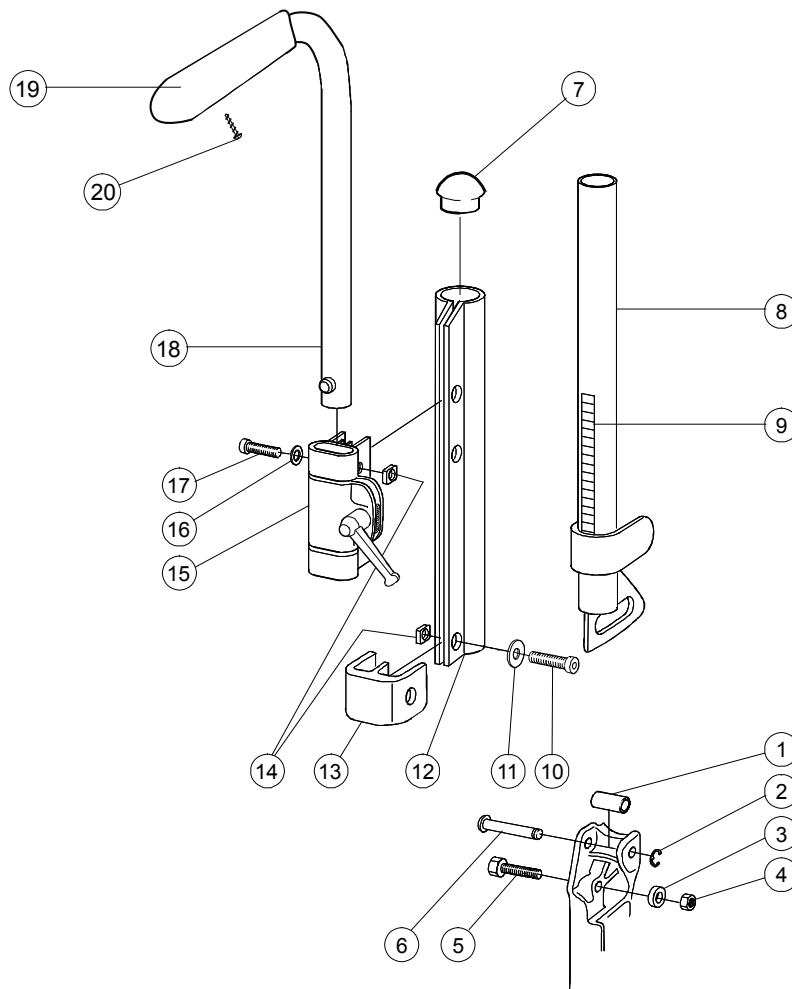
Tri



# Backrest 3A

Pos	Benämning	Art nr
1	Screw M 8x 1x30 black	11363
2	Screw M 8x 55 K6S fzb	11633
3	Spacer PS 9x15x0.5 black	13114
4	Securement points Cross ri	82500
	Securement points Cross le	82501
5	Locking nut M 8x 1 DIN 985	12051
6	Ledbusning rygg mod. 3	82504
7	Backrest chassis Cross mod 3 ri	82455
	Backrest chassis Cross mod 3 le	82456
<b>Monoangular back</b>		
8	Nut T-slot back Cross back mod 3	20028
9	Screw M 5x 20 MF6S fzb esloc	11635
10A	Center washer outer/inner Cross back mod 3	20500
10B	Washer clearance outer Cross back mod 3	20503
10C	Washer clearance inner Cross back mod 3	20502
11	Screw M 6x 18 MC6S low fzb	11630
12	Circlip M6 wavy fzb	13113
<b>Biangular back</b>		
8	Nut T-slot back Cross back mod 3	20028
9	Screw M 5x 20 MF6S fzb esloc	11635
10D	Eccentric washer inner Cross back mod.3	82458
10B	Washer clearance outer Cross back mod 3	20503
10E	Eccentric washer outer Cross back mod 3	82457
10C	Washer clearance inner Cross back mod 3	20502
11	Screw M 6x 18 MC6S low fzb	11630
12	Circlip M6 wavy fzb	13113
<b>Triangular back</b>		
8	Nut T-slot back Cross back mod 3	20028
10D	Eccentric washer inner Cross back mod.3	82458
10E	Eccentric washer outer Cross back mod 3	82457
11	Screw M 6x 18 MC6S low fzb	11630
12	Circlip M6 wavy fzb	13113
13a	Back rail Cross 3A right	82444-1
	Back rail Cross 3A left	82444-2
13b	Back rail Cross 3A high right	82582-1
	Back rail Cross 3A highleft	82582-2
14a	Label height adjustment	71347
14b	Label height adjustment high	71355
15	Dust cover 1 Cross back mod 3	50995
	Dust cover 2 Cross back mod 3	50996
16	Screw M 4x 12 MC6S fzb	11637
17	Locking nut M 4 fzb	12026
18	Attachment push handle ri	27371-1
	Attachment push handle le	27371-2
19	Push handle height adj Cross std	27338-01
20	Push handle fixed Crossback 3A	27644

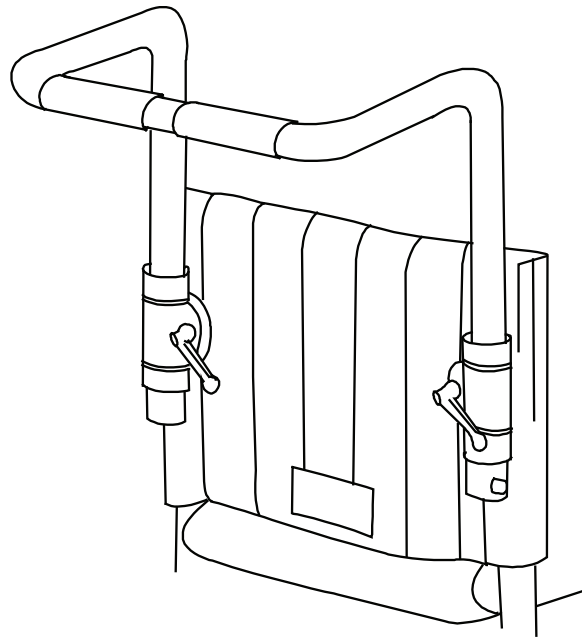
## Backrest tube high adjustable



Pos	Description	Item No	Pos	Description	Item No
1	Joint support backrest.....	20319	12	Wedge back 6063A-T6 .....	80851
2	Cir clip RSM 6 stainless .....	13036	13	Dust cover right PA 6/6 30% glass	50405
3	Spacer 20/8.5/9.5 .....	20320		Dust cover left PA 6/6 30% glass	50407
4	Locking nut M8x1 DIN 985 fzb ...	12051	14	Square nut high M6 fzb .....	12058
5	Screw M 8 x1x35 M6S.....	11543	15	Attachment push handles complete	25676
6	Axle back joint .....	20318	16	Washer BRB M6 black .....	13030
7	Plug 25-21/23 R12.5 white .....	50248	17	Screw M6x30 MC6S black esloc .	11398
8	Backrest tube Cross 55 cm right ..	26349-01-1	18-20	Push handle h adj Cross XL std ....	27341-01
	Backrest tube Cross 55 cm left....	26349-01-2	18	Push handles high adjustable .....	27340-01
9	Label height adjustment back 2 ..	72332	19	Cover for handle.....	82221
10	Screw M 6x 22 MC6S fzb .....	11012	20	Screw B 8 x 16.....	11041
11	Washer BRB 6x3x10x1.5 fzb .....	13080			

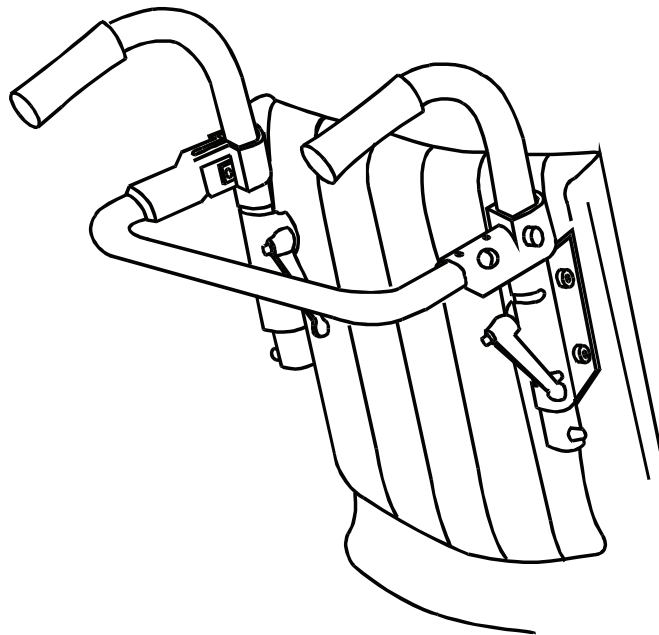


## Bow handle



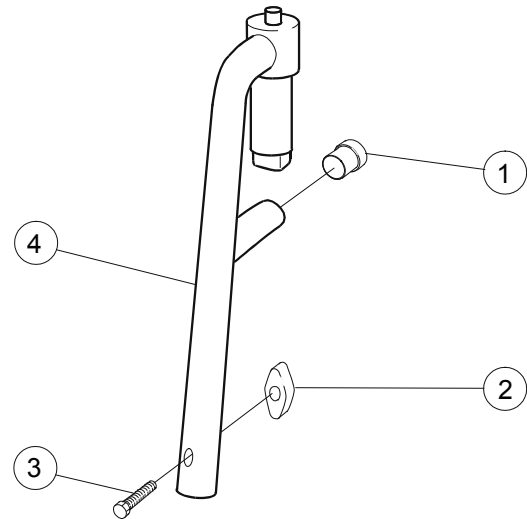
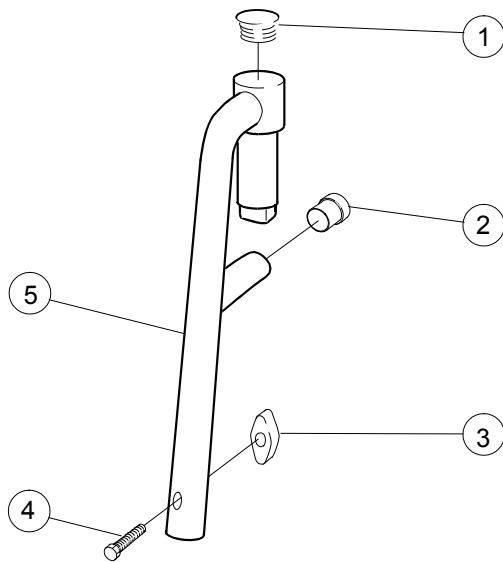
Pos	Description	Item No.
	Bow handle Cross XL 45 cm back 3A 47.5 cm height adj compl.....	27434-01
	Bow handle Cross XL 47.5 cm back 3A 50 cm height adj compl.....	26063-01
	Bow handle Cross XL 50 cm back 3A 52.5 cm height adj compl.....	26064-01
	Bow handle Cross XL 52.5 cm back 3A 55 cm height adj compl.....	26068-01
	Bow handle Cross XL 55 cm back 3A 57.5 cm height adj compl.....	26069-01
	Bow handle Cross XL 57.5 cm back 3A 60 cm height adj compl.....	26070-01
	Bow handle Cross XL 60 cm height adj compl.....	26916-01

## Backrest brace



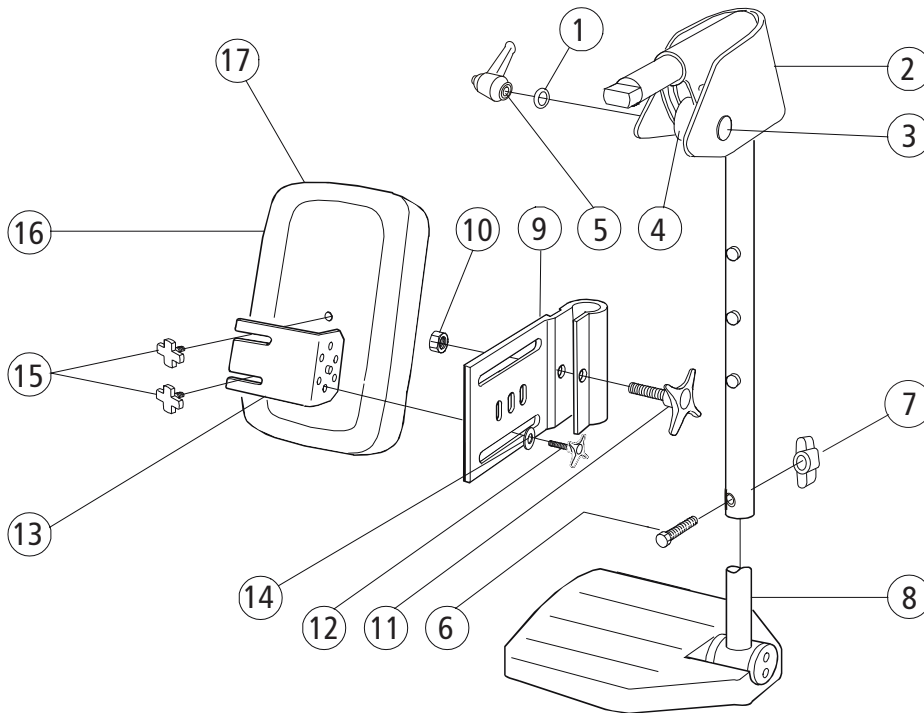
Pos	Description	Item No
1	Backrest brace 47,5 cm Cross backrest/M100 50 cm back 3A compl.....	25739
	Backrest brace 50 cm Cross backrest/M100 52.5 cm back 3A compl.....	25615
	Backrest brace 52,5 cm Cross backrest/M100 55 cm back 3A compl.....	26030
	Backrest brace 55 cm Cross backrest/M100 57.5 cm back 3A compl.....	26031
	Backrest brace 57,5 cm Cross backrest/M100 60 cm back 3A compl.....	26032
	Backrest brace 60 cm Cross compl.....	26915

# Legrest



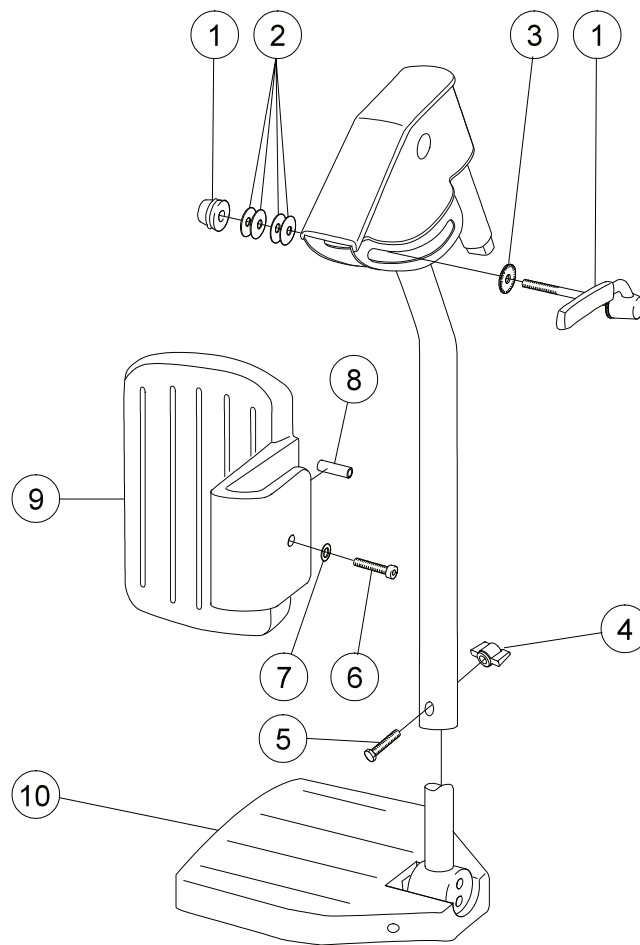
Pos	Description	Item No
1	Dust cover SFL 20 black .....	50287
2	Dust cover 16x1 black .....	50240
3	Wing nut WN 314.1 .....	80847
4	Screw M6x30 M6S 8.8 fzb DIN 931 .....	11555
1-5	Legrest wide angle .....	25574-01
2-5	Legrest wide lockable .....	25575-01

# Legrest elevating mod 1



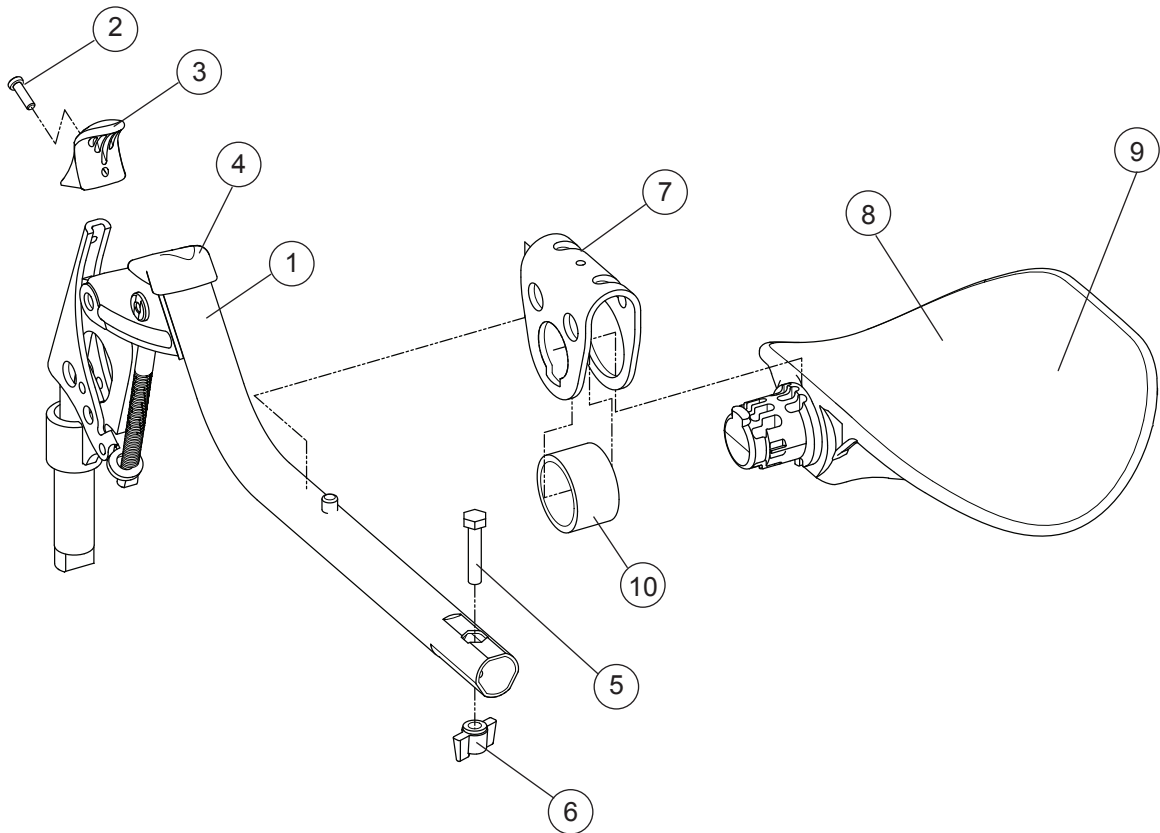
Pos	Description	Item No
1	Washer NB 6x16x1.0 black crome .....	13034
2	Joint guard legrest angle adjustable .....	62176
3	Screw M 6x 40 MVBF fzb .....	11234
4	Spacer legrest vrb Cross .....	20414
5	Handle M 6x25 43 mm black .....	80488
6	Screw M 6x 30 M6S fzb .....	11555
7	Wing nut WN 314.1 25-M 6 polyamid .....	80847
1-7	Legrest elevating mod 1 Cross black .....	25660-01
8	See page Footrests	
9a	Attachment legrest elevating Cross .....	24446-01
10	Nut M6M M 8 fzb .....	12006
11	Knob 60x22 M 8x32 black .....	80295
12	Knob 40 M 6x17 black .....	80297
13	Holder for calf support legrest elevating black .....	24421-01
14	Washer 6.4x17x3 DIN 7349 steel fzb .....	13052
9a-14	Attachment legrest elevating with holder black .....	24544-01
9b-14	Attachment legrest FlipUp elevating with holder black .....	27322-01
15	Knob M 5x15 legrest .....	80807
15-16	Calf support 45-47.5 cm .....	62484-60
	Calf support 50-60 cm .....	62451-60
17	Cover calf support 45-47.5 .....	62890-60
	Cover calf support 50-60 .....	62906-60

## Legrest elevating mod 2



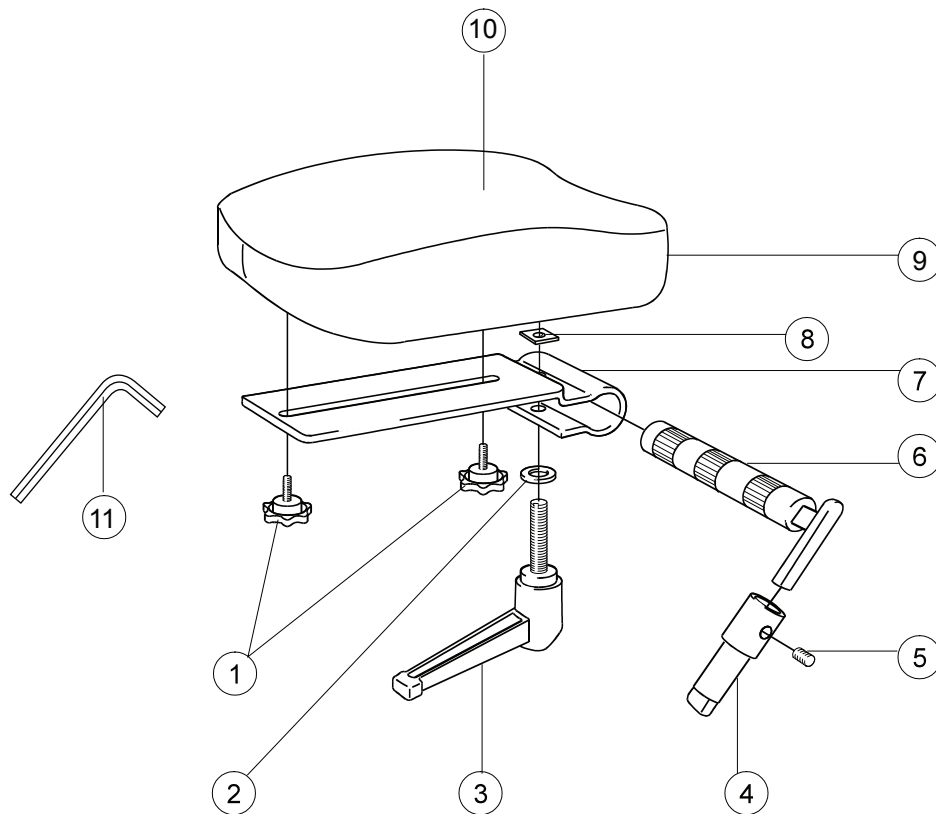
Pos	Description	Item No
1	Calf support 50-60 cm.....	80731
2	Spring washer 18x6.2x0.5 DIN 2093 dakrolit .....	13057
3	Lock washer M 6 DD fzb DIN 6798-D .....	13059
4	Wing nut WN 314.1 25-M 6 polyamid .....	80847
5	Screw M 6x 30 M6S fzb.....	11555
6	Screw M 6x 35 MC6LS fzb .....	11336
7	Washer 6.4x14x1.5 DIN 134 black chrome .....	13058
8	Washer Skiffy 05-6-10-20 .....	50340
9	Calf support legrest elevating .....	25378
1-9	Legrest elevating mod 2 with calf support right ..	25567-1
	Legrest elevating mod 2 with calf support left.....	25567-2
10	See page Footrests	

## Legrest elevating mod 3



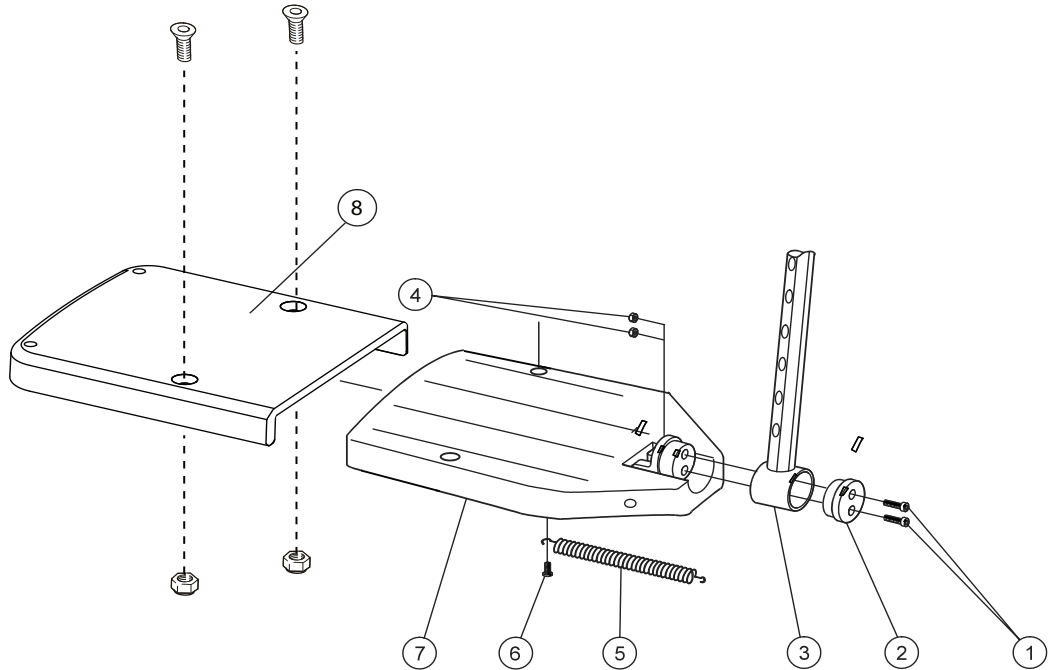
Pos	Description	Item No
1-9	Legrest elevating compl with calf support .....	26100
2	Screw K40x 10 PT-KX black chrome .....	11419
3	Handle adj legrest .....	50842
4	Plastic cover legrest .....	50843
5	Screw M 6x 30 M6S fzb.....	11555
6	Wing nut WN 314.1 25-M 6 polyamid.....	80847
7	Bracket calf support adj legrest .....	26122
8	Calf support adj legrest.....	50844
9	Cover calf support elevating legrest dark grey ....	62762-60
	Cover calf support elevating legrest Dartex .....	62762-63
8	PUR ring .....	50860
7-10	Calf support compl adj legrest .....	26136
1-6	Legrest elevation without calfsupport .....	27149

# Amputation support



Pos	Description	Item No
1	Knob M 5x15 legrest amputee.....	80807
2	Washer BRB 8.4/A2 stainless.....	13011
3	Lock handle M 8x35 .....	80808
4	Locking tube for legrest amputee .....	25518-01
5	Stop screw M 8x 8 black.....	11388
6	Axle legrest amputee compl.....	25519-01
7	Attachment calf support legrest amputee .....	80809
8	Square nut high M8.....	12056
9	Support pad legrest amputee right .....	62452-60-1
	Support pad legrest amputee left.....	62452-60-2
	Support pad legrest Dartex right .....	62452-63-1
	Support pad legrest Dartex left .....	62452-63-2
10	Cover legrest amputee Cross dark grey .....	62893-60
11	Allen key NV 4 DIN 911 .....	80141
1-11	Amputation support compl Dark grey right.....	26210-60-1
	Amputation support compl Dark grey left.....	26210-60-2
	Amputation support Cross compl Dartex right ....	26210-63-1
	Amputation support Cross compl Dartex left .....	26210-63-2

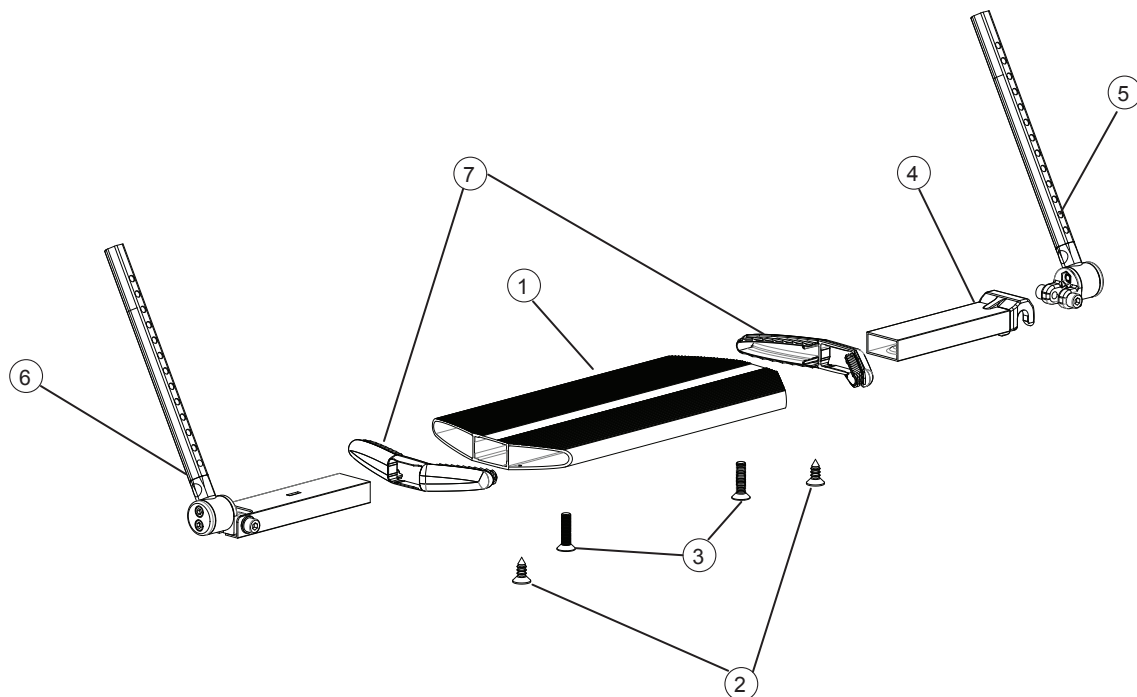
# Footrest



Pos	Description	Item No
1	Screw M6x25 MC6S 8.8 fzb .....	11033
2	Locking block .....	20324
3	Attachment tube footrest adj. ....	81997
	Attachment tube footrest adj. long .....	81998
4	Locking nut M6 DIN 985-6 fzb .....	12017
5	Spring footplate .....	80619
6	Screw K40x8 PHIL WN 1442 fzb .....	11344
1-7	Footrest compl std 47,5 cm (19") right .....	25736-1
	Footrest compl std 47,5 cm (19") left .....	25736-2
	Footrest compl std 50-60cm (20"-23") right .....	25646-1
	Footrest compl 50-60 (20"-23") left .....	25646-2
1-7	Footrest compl long 47,5 cm (19") right .....	25737-1
	Footrest compl long 47,5 cm (19") left .....	25737-2
	Footrest compl long 50-60 cm (20"-23") right ...	25652-1
	Footrest compl long 50-60 cm (20"-23") left .....	25652-2
8	Footrest extended 52,5-60 cm (20"-23") compl	50885

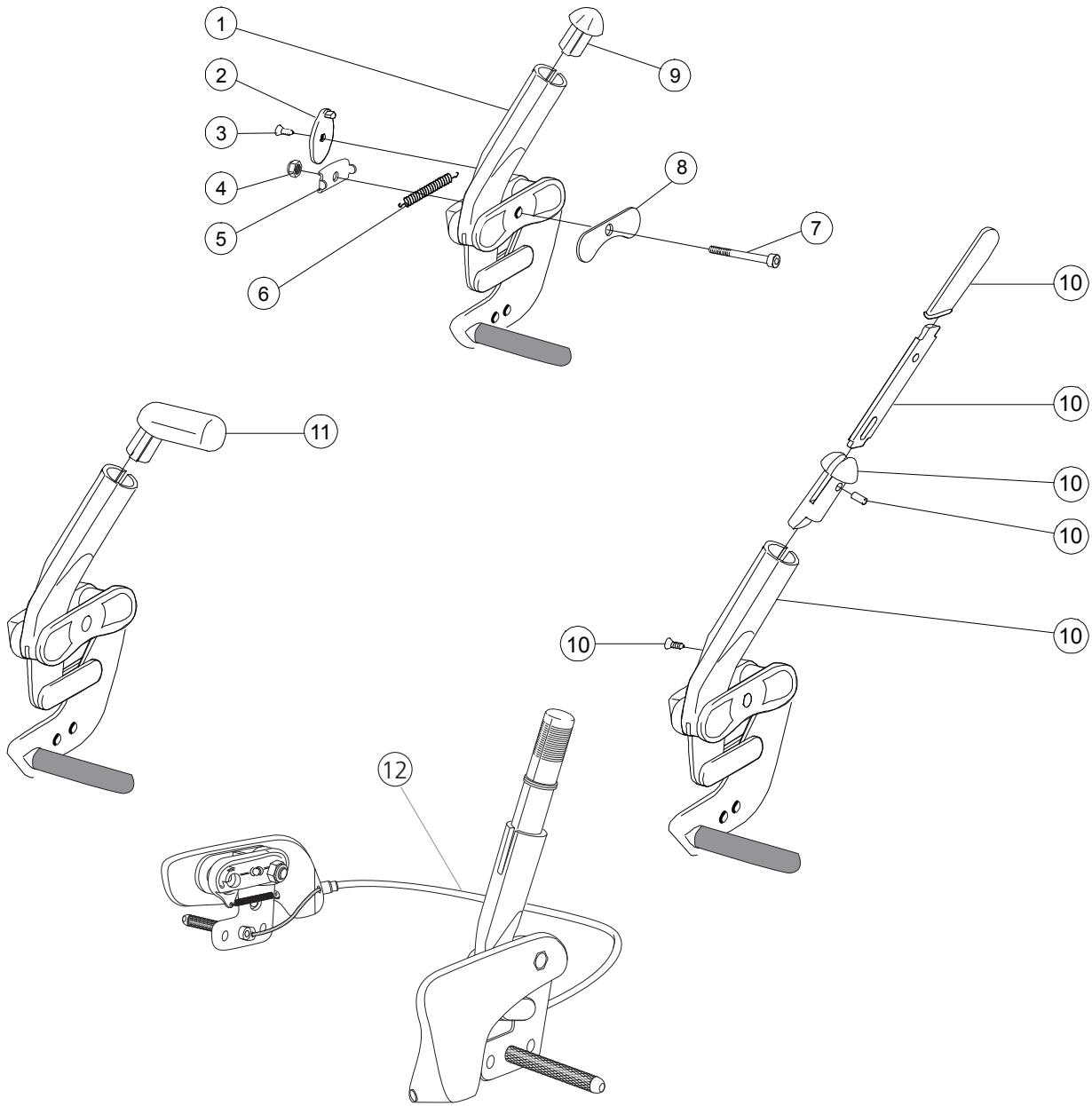


# Whole footrest



Pos	Description	Item No
1-7	Footrest one piece 40-50 cm compl .....	25937
	Footrest one piece 50-60 cm compl .....	26853
1	Whole footrest 40-50 cm .....	81131
	Whole footrest 50-60 cm .....	81993
2	Screw B 6 3.5x 9.5 FXS black chrome .....	11384
3	Screw M 5x 20 MF6S black chrome .....	11526
4	Locking joint footrest compl .....	25932
5	Attachment tube footrest left .....	25934
6	Attachment tube footrest right .....	25935
7	End caps whole footrest .....	50830

# Brakes



Pos	Description	Item No	Pos	Description	Item No
1-9	Brake right compl .....	27527-1	10	Brake with extended handle compl .....	25515
	Brake left compl .....	27527-2	1-8,10	Brake with extended handle right .....	27530-1
2	Stop detail brake .....	50373		Brake with extended handle left .....	27530-2
3	Screw B6 3.5x9.5 FXS svkr .....	11384		Brake with extended handle right fixed..	27529-1
4	Locking nut M6 DIN 985-6 fzb .....	12017		Brake with extended handle left fixed....	27529-2
5	Washer inner, brake mod 3.....	82564	11	Brake with angled handle complete kit .	27574
6	Spring for brake .....	80796	1-8,11	Brake with angled handle right .....	27528-1
7	Screw M6x50 M6S 8.8 black .....	11433		Brake with angled handle left .....	27528-2
8	Washer outer, brake mod 3 .....	82575	12	Single hand brake right .....	27531-1
9	Plug brake .....	50368		Single hand brake left .....	27531-2

## Rear wheels complete

### 20" Rear wheel Cross XL with quick-release hub

Description	Item No
Rear wheel 20 low pressure handrim cellular rubber	25812
Rear wheel 20 low pressure .....	26156
Rear wheel 20 low pressure handrim stainless .....	25088
Rear wheel 20 low pressure without handrim .....	25084
Rear wheel 20 solid handrim aluminium .....	25922
Rear wheel 20 solid handrim cellular rubber .....	25816
Rear wheel 20 solid handrim stainless .....	25822
Rear wheel 20 solid without handrim .....	25486

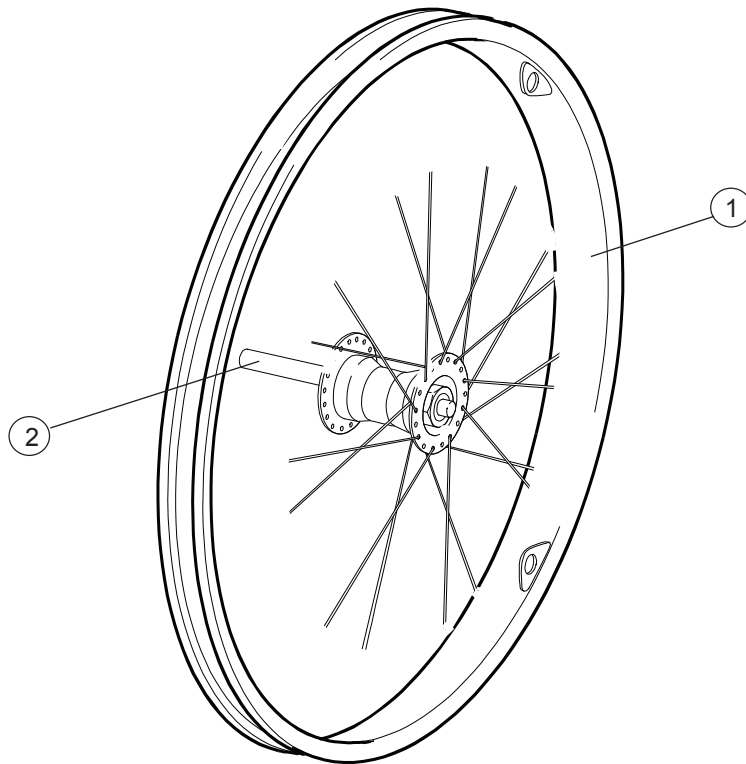
### 22" Rear wheel Cross XL with quick-release hub

Description	Item No
Rear wheel 22 high pressure handrim aluminium ....	25679
Rear wheel 22 high pressure handrim cellular rubber	25884
Rear wheel 22 high pressure handrim plastic-coated	25881
Rear wheel 22 high pressure handrim stainless.....	25678
Rear wheel 22 high pressure without handrim .....	25681
Rear wheel 22 low pressure handrim aluminium ...	25698
Rear wheel 22 low pressure handrim cellular rubber	25807
Rear wheel 22 low pressure handrim plastic-coated	25835
Rear wheel 22 low pressure handrim stainless .....	25089
Rear wheel 22 low pressure without handrim .....	25085
Rear wheel 22 solid handrim aluminium .....	25716
Rear wheel 22 solid handrim cellular rubber .....	25811
Rear wheel 22 solid handrim plastic-coated .....	25834
Rear wheel 22 solid handrim stainless .....	25514
Rear wheel 22 solid without handrim .....	25487

### 24" Rear wheel Cross XL with quick-release hub

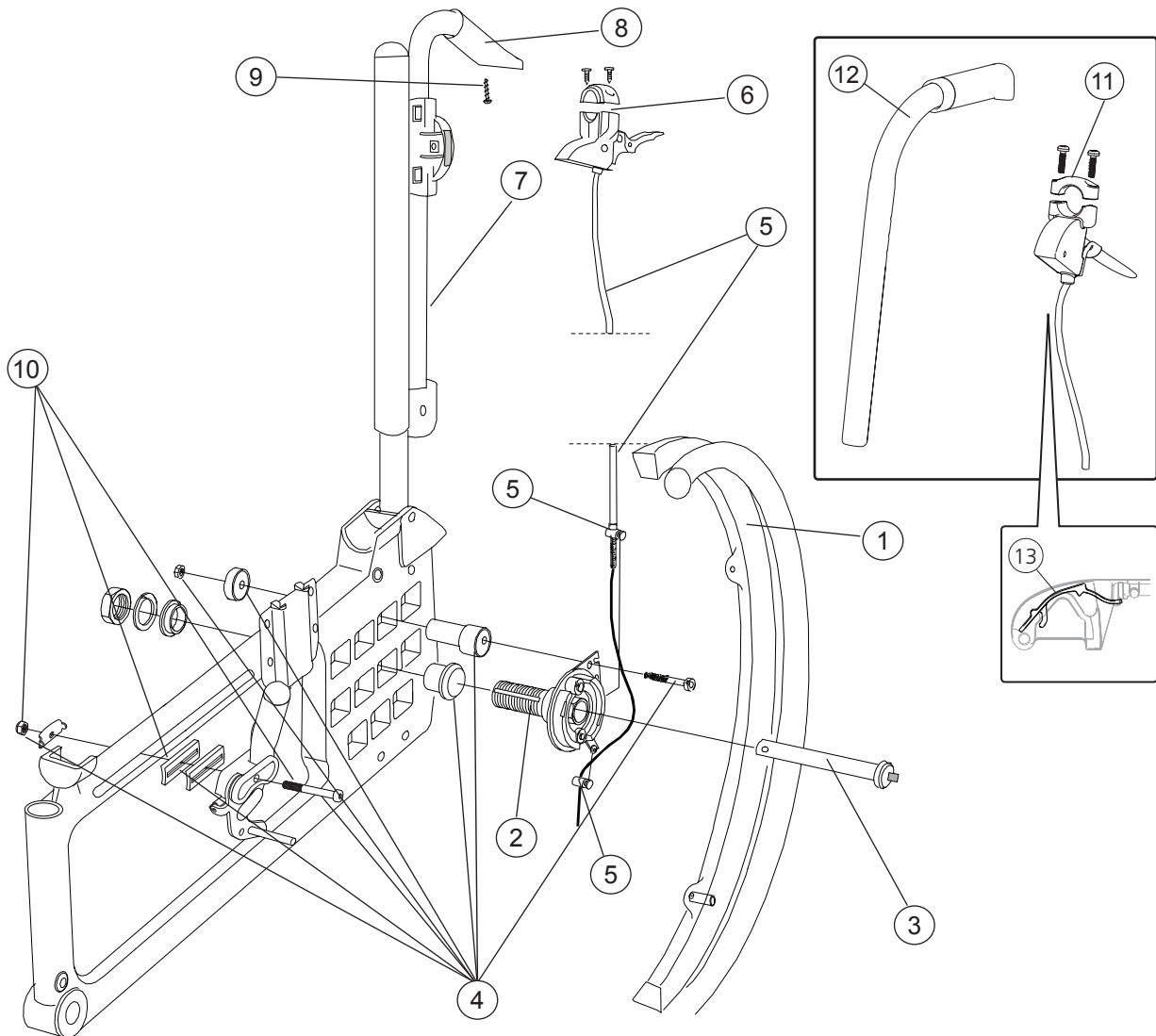
Description	Item No
Rear wheel 24 high pressure handrim aluminium ....	25182
Rear wheel 24 high pressure handrim cellular rubber	25806
Rear wheel 24 high pressure plastic-coated .....	25832
Rear wheel 24 high pressure handrim stainless .....	25097
Rear wheel 24 high pressure without handrim .....	25023
Rear wheel 24 low pressure handrim aluminium ....	25437
Rear wheel 24 low pressure handrim cellular rubber	25805
Rear wheel 24 low pressure handrim plastic-coated	25831
Rear wheel 24 low pressure handrim stainless .....	25091
Rear wheel 24 low pressure without handrim .....	25022
Rear wheel 24 solid handrim aluminium .....	25717
Rear wheel 24 solid handrim cellular rubber .....	25808
Rear wheel 24 solid handrim plastic-costed .....	25833
Rear wheel 24 solid handrim stainless .....	25103
Rear wheel 24 solid without handrim .....	25106

## Rear wheels without tube and tyre



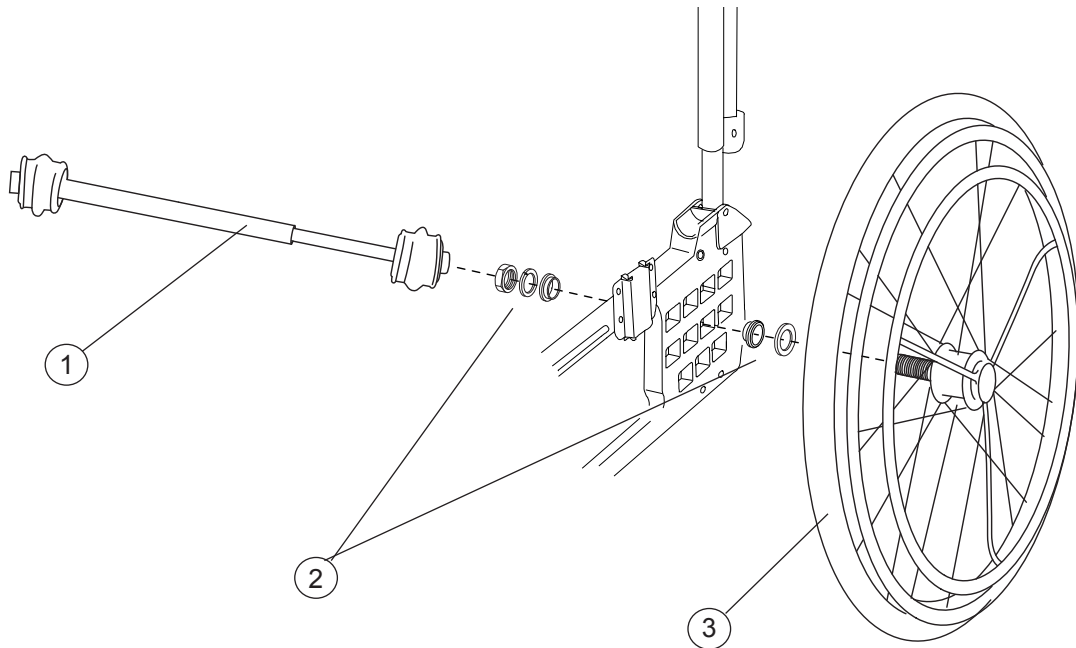
Pos	Description	Item No
1-2	Rear wheel 20" without tyre, tube, handrim .....	25200
	Rear wheel 22" without tyre, tube, handrim .....	25201
	Rear wheel 24" without tyre, tube, handrim .....	25202
2	Axle aluminium hub .....	20349

# Drum brakes



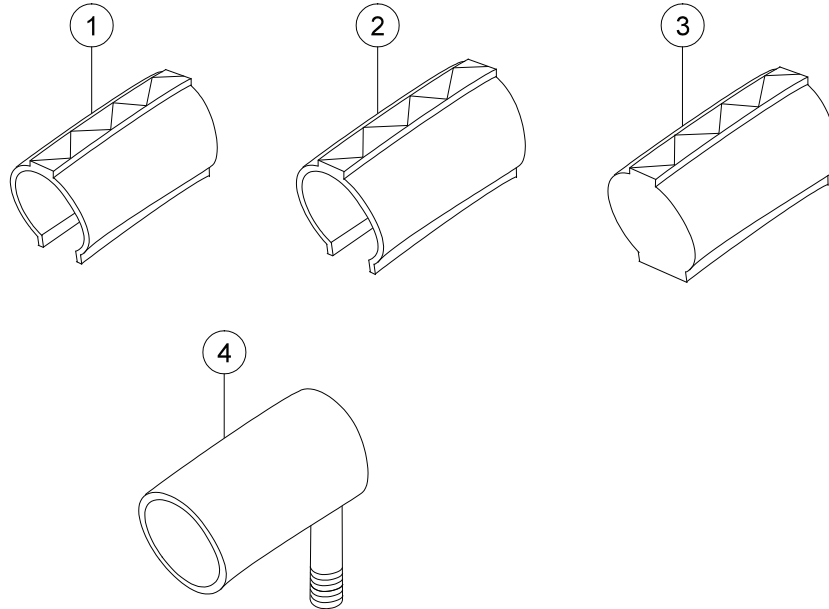
Pos	Description	Item No	Pos	Description	Item No
1	Rear wheel 20 drum brake solid handrim alu .....	81337		Rear wheel 24 drum brake high pressure	
	handrim aluminium .....	81342		handrim stainless .....	81351
	Rear wheel 22 drum brake high pressure		2-9	Attachment kit drumbrake Cr/Tw.....	27337
	handrim aluminium .....	81339	2-5,	Assembly kit drum brake	
	Rear wheel 22 drum brake solid		10-11	Cross/CrossXL/Twin opening grip 100 mm.....	27579
	handrim plastic-coated .....	81340	2	Brake shoe kit drumbrake right .....	81308
	Rear wheel 22 drum brake solid			Brake shoe kit drumbrake left.....	81309
	handrim stainless .....	81341	3	Qr axle drumbrake .....	81325
	Rear wheel 22 drum brake high pressure		4	Attachement kit drumbrake .....	81307
	handrim plastic-coated .....	81343	5	Wire set .....	80935
	Rear wheel 22 drum brake high pressure		6	Brake handle drum brake back 2 .....	26963
	handrim stainless .....	81344	7-9	Push handle h adj Cross XL drum brake .....	27429-01
	Rear wheel 24 drum brake high pressure		7	Push handle h adj Cross XL.....	27340-01
	handrim alu.....	81349	8	Cover for handle .....	82004
	Rear wheel 24 drum brake solid handrim alu ....	81346	9	Screw B 8 x 6 .....	11041
	handrim plastic-coated .....	81347	10	Attachment kit adapter brake .....	27445
	Rear wheel 24 drum brake solid		11	Brakehandl drum brake compl with 2 pcs screw	
	handrim stainless .....	81348		11504 for opening grip mm .....	27592
	Rear wheel 24 drum brake high pressure		12	Push handle height adj Cross XL black .....	27589-91
	handrim plastic-coated .....	81350	13	Wire lock brake handle 100 mm 10 pcs.....	82854
				Wire lock brake handle 75 mm 10 pcs .....	82855

# Single hand-drive



Pos	Description	Item No
1	Telescoping shaft one-arm drive W45/47.5/50 cm (18"-19"-20") .....	27319
	Telescoping shaft one-arm drive W52.5/55/57.5 cm (21"-22"-23") .....	27320
	Telescoping shaft one-arm drive 57,6-60cm .....	27321
2-3	Single-hand drive 20" .....	26534
	Single-hand drive 22" .....	26533
	Single-hand drive 24" .....	26522

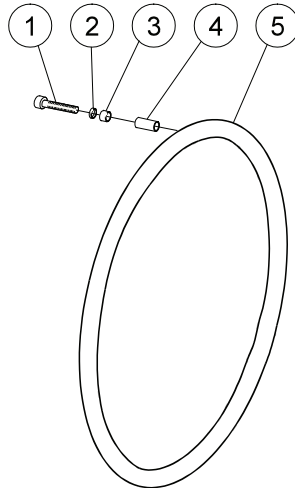
# Tyre and innertube



Pos	Description	Item No
1	Tyre 22" x 1" high pressure .....	81125
	Tyre 24" x 1" high pressure .....	80558
2	Tyre 20" low pressure .....	80133
	Tyre 22" low pressure .....	80325
	Tyre 24" low pressure .....	80137
3	Tyre 20" solid .....	80787
	Tyre 22" solid .....	81384
	Tyre 24" solid .....	80768
4	Innertube 20" pneumatic .....	80132
	Innertube 22" pneumatic .....	80136
	Innertube 22" pneumatic .....	80327
	Innertube 24" pneumatic .....	80138
	Innertube 24" x 1" pneumatic .....	80560

# Handrim

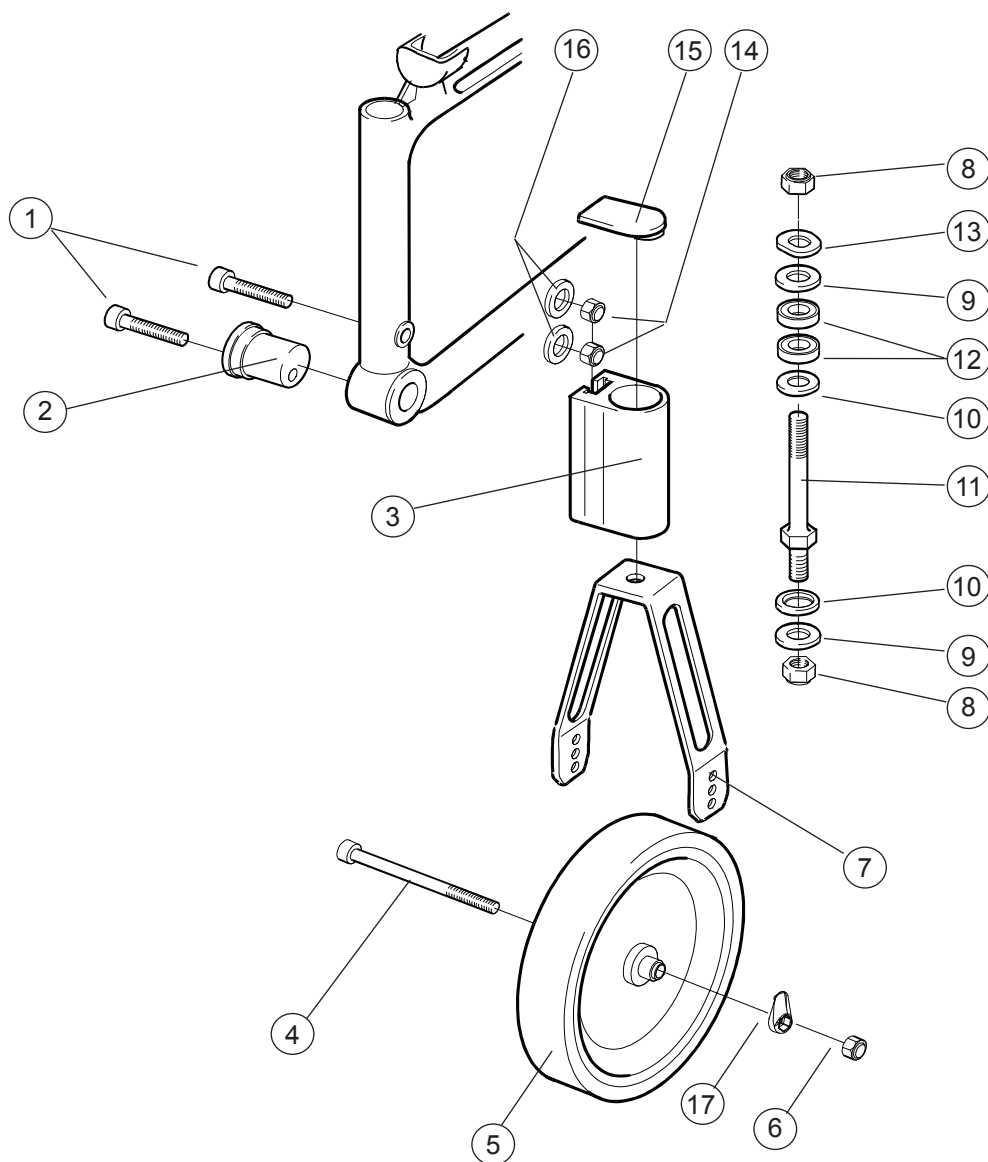
**Aluminium/Cellular rubber/Stainless/  
Plastic coated**



Pos	Description	Item No
1-4	Attachment kit handrim	
	titanium/aluminium/cellular rubber/stainless .....	24514
	Handrim Dy465 wheel 20" aluminium .....	81109
	Handrim Dy465 wheel 20" plastic-coated .....	81229
	Handrim Dy465 wheel 20" stainless .....	21034
	Handrim Dy500 wheel 22" aluminium .....	25636
	Handrim Dy500 wheel 22" plastic-coated .....	80895
	Handrim Dy500 wheel 22" stainless .....	24395
	Handrim Dy540 wheel 24" aluminium .....	25181
	Handrim Dy540 wheel 24" cellular rubber .....	80800
	Handrim Dy540 wheel 24" plastic-coated .....	80894
	Handrim Dy540 wheel 24" stainless .....	24023

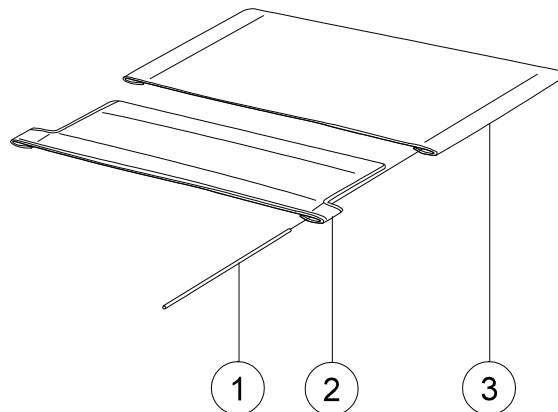


# Castors



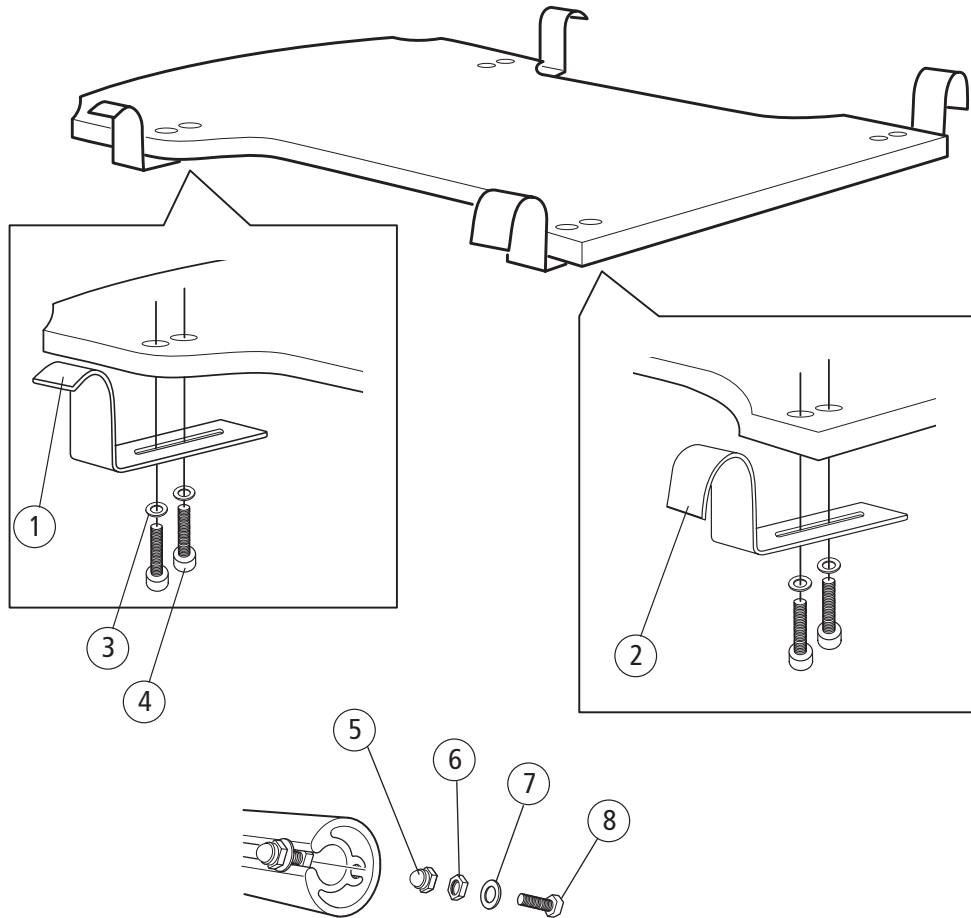
Pos	Description	Item No	Pos	Description	Item No
1	Screw M8x1x40 MC6S 12.9 black	11305	8	Locking nut UNF 1/2" low black	12037
2	Off centre sleeve	81994	9	Washer BRB 13.5 black	13031
3	Front fork housing	80606	10	Washer BRB 13.5 plated black	13032
	Front fork housing extended	80899	11	Axle front fork steel	20243
4	Screw M 6x 75 MC6S 12.9 black	11338	7-11	Front fork short steel axle	24677
5	Wheel			Front fork medium steel axle	24678
6	Locking nut M6 black	12035		Front fork short steel axle 4 mm	24834
4-6+17	Castor 6 150x30 solid softl	27863		Front fork medium steel axle 4 mm	24835
	Castor 6.5 165x30 solid hard	27866	12	Ball bearing 1/2" EE4 2RS	80244
7	Front fork short excl axle	24554-01	13	Washer 13x24x1.2 DIN 137B fzb	13040
	Front fork medium excl axle	24555-01	14	Låsmutter M8x1 DIN 985 fzb	12051
	Front fork short excl axle 4 mm	24832-01	15	Plug attachment front fork	50224
	Front fork medium excl axle 4 mm	24833-01	16	Washer BRB 8.4x 16x 1.6 fzb	13001
			17	Cover axle wheel PA 6	51049
				Cover axle wheel PA 6 (50pcs)	27954

# Seat upholstery



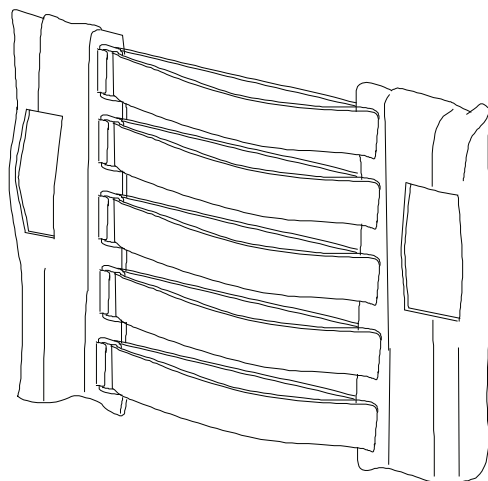
Pos	Description	Item No
<b>Cross backrest mod. 2</b>		
1	Tension rod L=381 .....	80617
	Tension rod L=446 .....	80618
2	Upholstery seat front 47,5 cm (19") .....	62385
	Upholstery seat front 50 cm (20") .....	62341
	Upholstery seat front 52,5 cm (21") .....	62408
	Upholstery seat front 55 cm (22") .....	62409
	Upholstery seat front 57,5 cm (23") .....	62410
	Upholstery seat front 60 cm (24") .....	62411
1-3	Upholstery seat short black 47,5 cm (19") .....	62372-60
	Upholstery seat short black 50 cm (20") .....	62302-60
	Upholstery seat short black 52,5 cm (21") .....	62400-60
	Upholstery seat short black 55 cm (22") .....	62401-60
	Upholstery seat short black 57,5 cm (23") .....	62402-60
	Upholstery seat short black 60 cm (24") .....	62403-60
	Upholstery seat long black 47,5 cm (19") .....	62373-60
	Upholstery seat long black 50 cm (20") .....	62303-60
	Upholstery seat long black 52,5 cm (21") .....	62404-60
	Upholstery seat long black 55 cm (22") .....	62405-60
	Upholstery seat long black 57,5 cm (23") .....	62406-60
	Upholstery seat long black 60 cm (24") .....	62407-60
<b>Cross backrest 3A</b>		
1-3	Upholstery seat Basic short Basic/Cross 3A 47.5 cm (18") black .....	62978-60
	Upholstery seat Basic short Basic/Cross 3A 50 cm (19") black .....	62979-60
	Upholstery seat Basic short Basic/Cross 3A 52.5 cm (20") black .....	62980-60
	Upholstery seat Basic short Basic/Cross 3A 55 cm (21") black .....	62981-60
	Upholstery seat Basic short Basic/Cross 3A 57.5 cm (23") black .....	62982-60
	Upholstery seat Basic short Basic/Cross 3A 60 cm (24") black .....	62983-60
	Upholstery seat Basic long Basic/Cross 3A 47,5 cm (18") black .....	62984-60
	Upholstery seat Basic long Basic/Cross 3A 50 cm (19") black .....	62985-60
	Upholstery seat Basic long Basic/Cross 3A 52,5 cm (20") black .....	62986-6
	Upholstery seat Basic long Basic/Cross 3A 55 cm (21") black .....	62987-60
	Upholstery seat Basic long Basic/Cross 3A 57.5 cm (23") black .....	62988-60
	Upholstery seat Basic long Basic/Cross 3A 60 cm (24") black .....	62989-60

# Solid seat



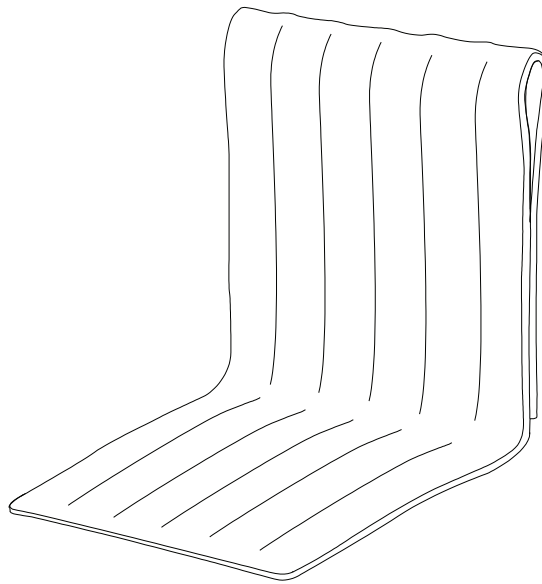
Pos	Description	Item No
1	Seat hook back ECS.....	26414-01
2	Seat hook front ECS .....	26413-01
3	Washer BRB 5.3 fzb.....	13017
4	Screw M 5x 18 MC6S 8.8 fzb .....	11424
5	Domed not M 4 fzb.....	12068
6	Nut M 4 M6M fzb .....	12067
7	Washer 4.3x9x0.8 fzb.....	13066
8	Screw M 4x 12 M6S fzb .....	11593
1-8	Solid seat ECS 45-47.5 cm short .....	26722
	Solid seat ECS 50-52.5 cm short .....	26723
	Solid seat ECS 55-57.5 cm short .....	26724
	Solid seat ECS 60 cm short .....	26660
	Solid seat ECS 45-47.5 cm long .....	26727
	Solid seat ECS 50-52.5 cm long .....	26728
	Solid seat ECS 55-57.5 cm long .....	26729
	Solid seat ECS 60 cm long .....	26662

## Backrest upholstery



Description	Item No
<b>Cross backrest mod.2</b>	
Upholstery back 47,5/50 cm (19"-20") adjustable black .	62345-60
Upholstery back 52,5/55 cm (21"-22") adjustable black .	62430-60
Upholstery back 57,5/60 cm (23"-24") adjustable black .	62431-60
Upholstery back Cr/Ne high 47,5-50 cm.....	62468-60
Upholstery back Cr/Ne high 52,5/55 cm.....	62759-60
Upholstery back Cr/Ne high 57,5/60 cm.....	62760-60
<b>Cross backrest 3A</b>	
Upholstery back adj 42,5/50 cm, Crossback mod.3 .....	62954-60
Upholstery back adj 52,5/60 cm, Crossback mod.3 .....	62955-60
Tension rod L296 Cross back mod 3 .....	82461
<b>Cross backrest 3A high</b>	
Upholstery back Crossback 3A high 42,5-50 cm .....	63015-60
Upholstery back Crossback 3A high 52,5-60 cm .....	63016-60
Tension rod L355 Crossrygg 3A high .....	82586

## Backrest cover



### Description

### Item No

Cover back 47,5 cm (19") dark grey .....	62389-60
Cover back 50 cm (20") dark grey .....	62305-60
Cover back 52,5 cm (21") dark grey .....	62432-60
Cover back 55 cm (22") dark grey .....	62433-60
Cover back 57,5 cm (23") dark grey .....	62434-60
Cover back 60 cm (24") dark grey .....	62435-60

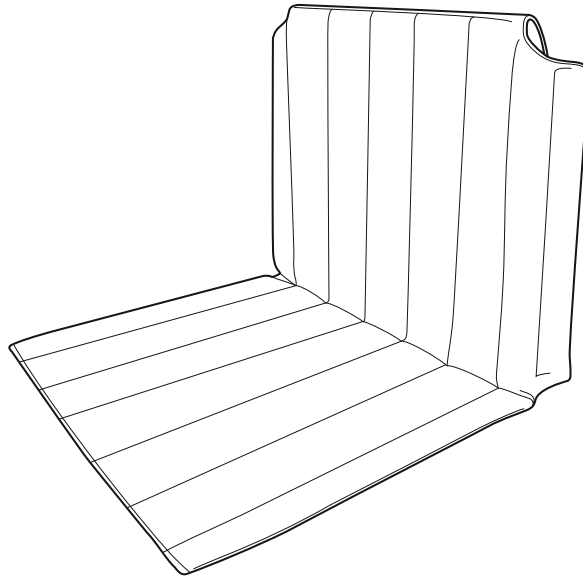
Cover back Cr/Ne Comf sth/high 47,5 cm (19") .....	62900-60
Cover back Cr/Ne Comf sth/high 50 cm (20") .....	62901-60
Cover back Cr/Ne Comf sth/high 52,5 cm (21") .....	62902-60
Cover back Cr/Ne Comf sth/high 55 cm (22") .....	62903-60
Cover back Cr/Ne Comf sth/high 57,5 cm (23") .....	62904-60
Cover back Cr/Ne Comf sth/high 60 cm (24") .....	62905-60

Cover back Cr/Ne high 47,5 cm (19") .....	62472-60
Cover back Cr/Ne high 50 cm (20") .....	62473-60
Cover back Cr/Ne high 52,5 cm (21") .....	62680-60
Cover back Cr/Ne high 55 cm (22") .....	62481-60
Cover back Cr/Ne high 57,5 cm (23") .....	62482-60
Cover back Cr/Ne high 60 cm (24") .....	62483-60

### Cross backrest 3A

Cover back Cross 47,5 cm (19") mod 3 dark grey .....	62946-60
Cover back Cross 50 cm (20") mod 3 dark grey .....	62947-60
Cover back Cross 52,5 cm (21") mod 3 dark grey .....	62948-60
Cover back Cross 55 cm (22") mod 3 dark grey .....	62949-60
Cover back Cross 57,5 cm (23") mod 3 dark grey .....	62950-60
Cover back Cross 60 cm (24") mod 3 dark grey .....	62951-60

## Backrest cover



### Description

### Item No

#### Cross backrest 3A

Cover back Cross Comfort mod 3 47.5 cm (19) dark grey .....	62961-60
Cover back Cross Comfort mod 3 50 cm (20) dark grey .....	62962-60
Cover back Cross Comfort mod 3 52.5 cm (21) dark grey .....	62963-60
Cover back Cross Comfort mod 3 55 cm (22) dark grey .....	62964-60
Cover back Cross Comfort mod 3 57,5 cm (23) dark grey .....	62965-60
Cover back Cross Comfort mod 3 60 cm (24) dark grey .....	62966-60

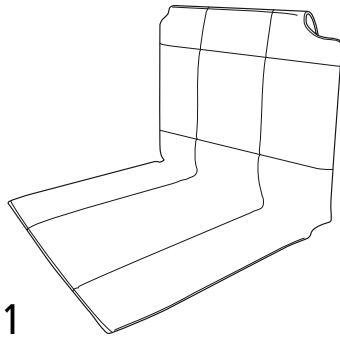
#### Cross backrest 3A high back

Cover back Cross 3A high 47,5 cm (19) dark grey .....	63025-60
Cover back Cross 3A high 50,0 cm (20) dark grey .....	63026-60
Cover back Cross 3A high 52,5 cm (21) dark grey .....	63027-60
Cover back Cross 3A high 55 cm (22) dark grey .....	63028-60
Cover back Cross 3A high 57,5 cm (23) dark grey .....	63029-60
Cover back Cross 3A high 60 cm (24) dark grey .....	63030-60

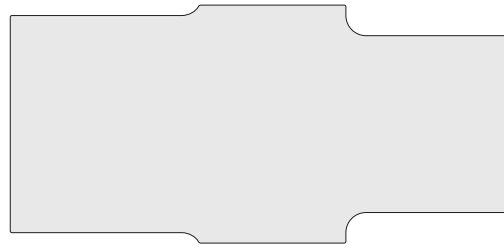
#### Cross backrest 3A high back comfort

Cover back Cross 3A comf high 47,5 cm (19) dark grey .....	63038-60
Cover back Cross 3A comf high 50,0 cm (20) dark grey .....	63039-60
Cover back Cross 3A comf high 52,5 cm (21) dark grey .....	63040-60
Cover back Cross 3A comf high 55 cm (22) dark grey .....	63041-60
Cover back Cross 3A comf high 57,5 cm (23) dark grey .....	63042-60
Cover back Cross 3A comf high 60 cm (24) dark grey .....	63043-60

## Backrest cover



1



2

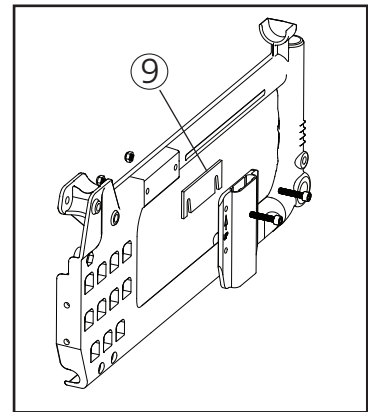
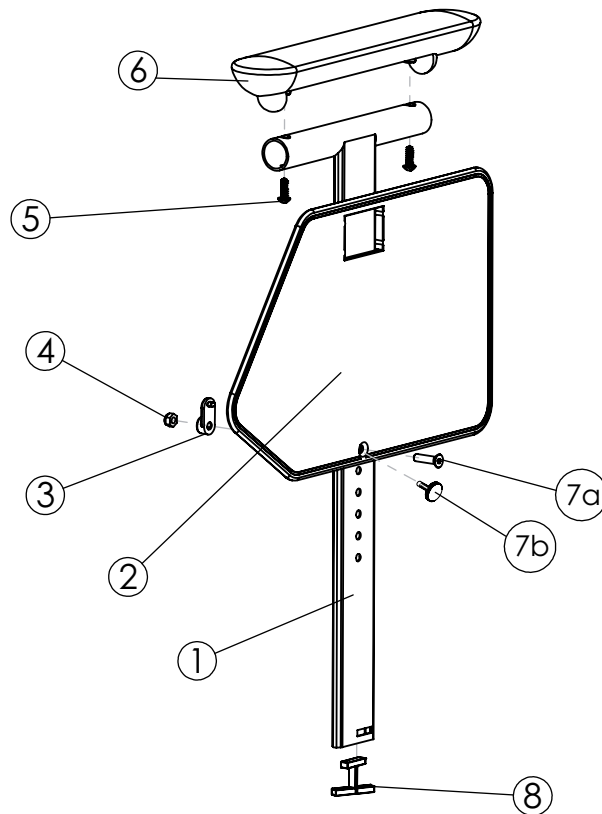
### Description

### Item No

#### Cross backrest 3A Tidy

1. Cover back Cross mod 3 Tidy 47,5 cm (19) .....	63092-63
1. Cover back Cross mod 3 Tidy 50 cm (20) .....	63093-63
1. Cover back Cross mod 3 Tidy 52,5 cm (21) .....	63094-63
1. Cover back Cross mod 3 Tidy 55 cm (22) .....	63095-63
1. Cover back Cross mod 3 Tidy 57,5 cm (23) .....	63096-63
1. Cover back Cross mod 3 Tidy 60 cm (24) .....	63097-63
2. Foam cover upholstery Tidy mod 3 47.5 cm (19) .....	82882
2. Foam cover upholstery Tidy mod 3 50 cm (20) .....	82883
2. Foam cover upholstery Tidy mod 3 52.5 cm (21) .....	82884
2. Foam cover upholstery Tidy mod 3 55 cm (22) .....	82885
2. Foam cover upholstery Tidy mod 3 57.5 cm (23) .....	82886
2. Foam cover upholstery Tidy mod 3 60 cm (24) .....	82887

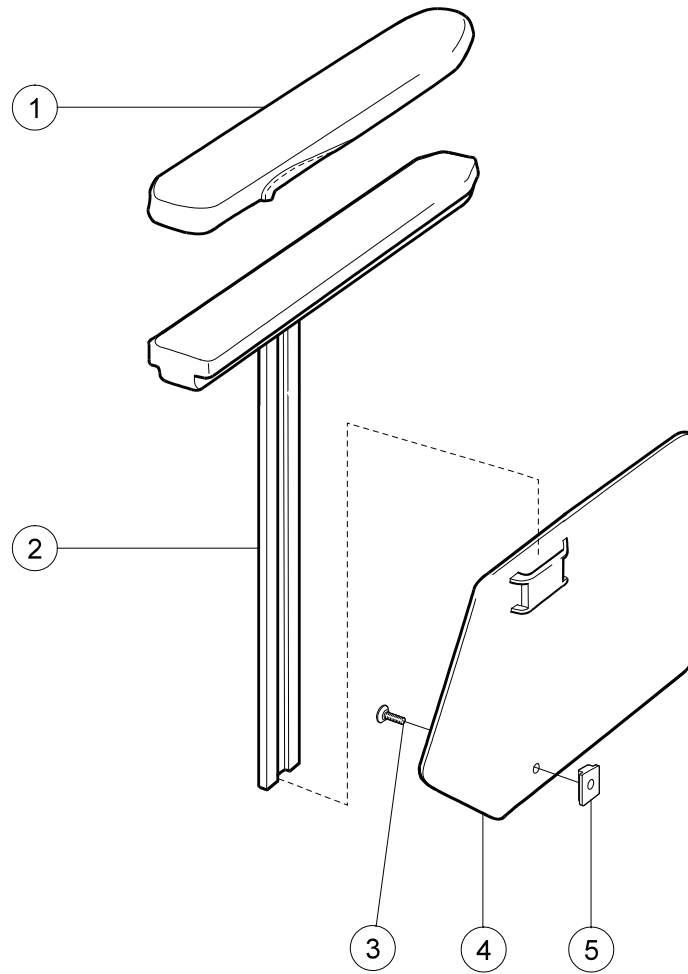
# Armrests



Pos.	Description	Item No
1-7a	Armstöd M100 short right .....	27230-1
	Armrest M100 short left .....	27230-2
	Armrest M100 long right .....	27231-1
	Armrest M100 long left .....	27231-2
1-7, 9	Armrest Cross short right L 25 cm height adj w finger screw .	27349-1
	Armrest Cross short left L 25 cm height adj w finger screw ...	27349-2
	Armrest Cross long right L 35 cm height adj w finger screw ..	27350-1
	Armrest Cross long left L 35 cm height adj w finger screw ....	27350-2
1	Armrest profile M100 short .....	82296
	Armrest profile M100 long right .....	82297-1
	Armrest profile M100 long left .....	82297-2
2	Sideguard Cross Cross/M100 right .....	50316
	Sideguard Cross Cross/M100 left .....	50317
3	Nut pocket armrest .....	50916
4	Locking nut M 5 .....	12036
5	Screw B 8x19 RXS/A2 Ph st 4.2 .....	11064
6	Armrest pad M100 short right .....	82294-1
	Armrest pad M100 short left .....	82294-2
	Armrest pad M100 long right .....	82295-1
	Armrest pad M100 long left .....	82295-2
7a	Screw M 5x 20 MF6S black .....	11526
7b	Finger Screw M5 x 18 .....	82402
8	Lock armrest M100 .....	50915
9	Spacer finger screw .....	27435-01

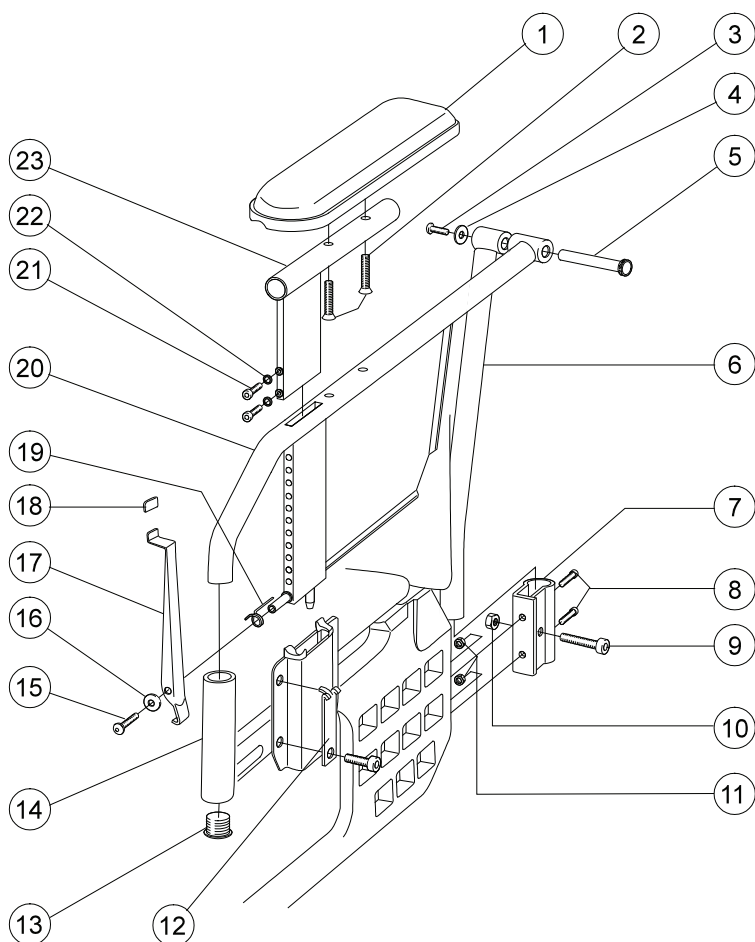


# Armrests



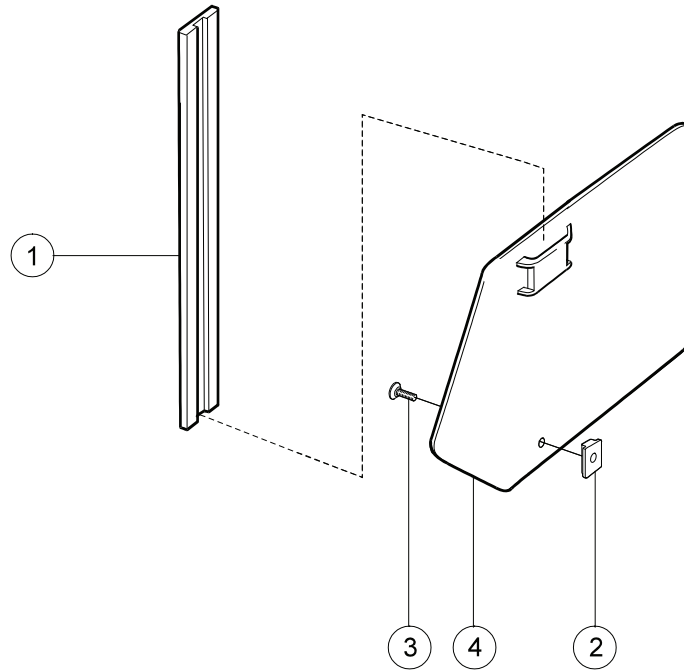
Pos	Description	Item No	Pos	Description	Item No
1	Cover armrest short dark grey.....	62282-60			
	Cover armrest long dark grey.....	62283-60			
	Cover armrest Gel short compl .....	26240-60	3	Screw M 5x 14 MF6S 10.9.....	11237
	Cover armrest Gel long compl .....	26241-60	4	Sideguard Cross/M100 Nylon ri	50316
	Cover armrest short Dartex.....	62282-63		Sideguard Cross/M100 Nylon vä	50317
	Cover armrest long Dartex.....	62283-63	5	Stop bar for armrest .....	80661
	Cover armrest Gel short compl .....	26240-63			
	Cover armrest Gel long compl Dartex..	26241-63			
2	Armrest Cross 25 cm unassembled ri ..	25286-1			
	Armrest Cross 25 cm unassembled le..	25286-2			
	Armrest Cross 38 cm unassembled ri...	25287-1			
	Armrest Cross 38 cm unassembled le..	25287-2			

## Flip-up armrest



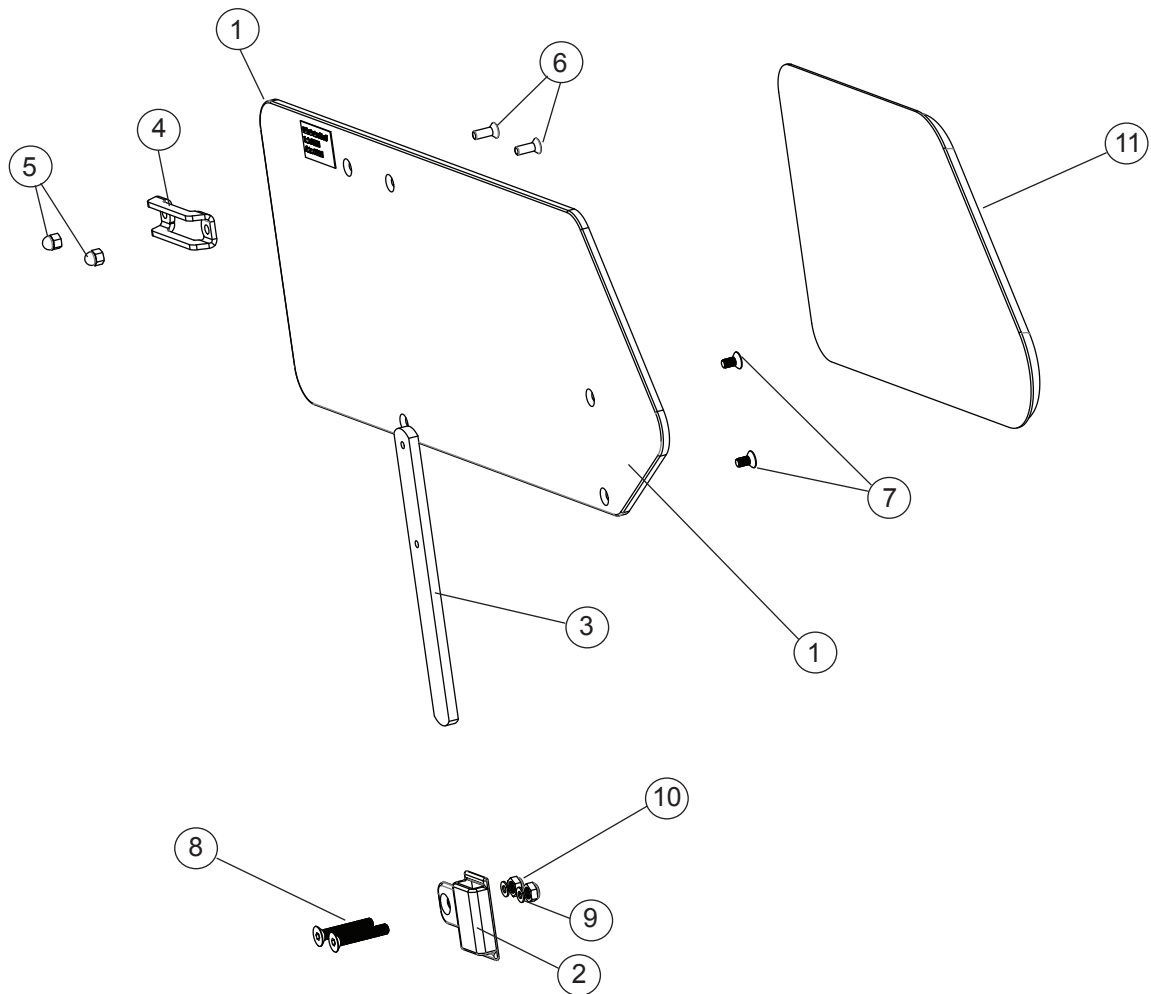
Pos	Description	Item No	Pos	Description	Item No
1	Padded cover armrest flip up....	80826	15	Screw M 5x 12 K6S 10.9 fzb....	11208
2	Screw M 5x 30 MF6S fzb .....	11395	16	Washer NB5x13x1 fzb .....	13067
3	Screw M 5x 12 K6S 10.9 fzb ...	11208	17	Security seat armrest foldable ..	25538-01
4	Spring washer 18x6.2x0.5 DIN 2093 dakrolit .....	13057	18	plastic hood Mocap 1.6x12.7x25.4 red .....	50404
5	Axle armrest ufb Cross.....	20409	19	Spring locking armrest adjust ri	80824
6	Attachment tube armrest ri .....	25541-01-1		Spring locking armrest adjust le	80825
	Attachment tube armrest le .....	25541-01-2	20	Tube armrest flip up ri.....	25540-01-1
7	Attachment armrest flip up....	80821		Tube armrest flip up le .....	25540-01-2
8	Screw M 6x 25 MC6S 8.8 fzb ..	11033	21	Screw M 4x 12 MC6S fzb .....	11396
9	Screw M 8x 35 MC6S fzb .....	11276	22	Washer 4.3x9x0.8 fzb.....	13066
10	Square nut high M8.....	12056	23	Tube armrest flip up height adj	25543-01
11	Locking nut M 6 fzb .....	12017	1-20	Armrest Cross flip up right.....	25551-1
12	Locking plate armrest fu .....	25539-01		Armrest Cross flip up left .....	25551-2
13	Dust cover 19x 1.5 black.....	50010	1-23	Armrest Cross flip up ri .....	25546-1
14	Cover for handle Cross .....	80750		Armrest Cross flip up le .....	25546-2

# Sideguard



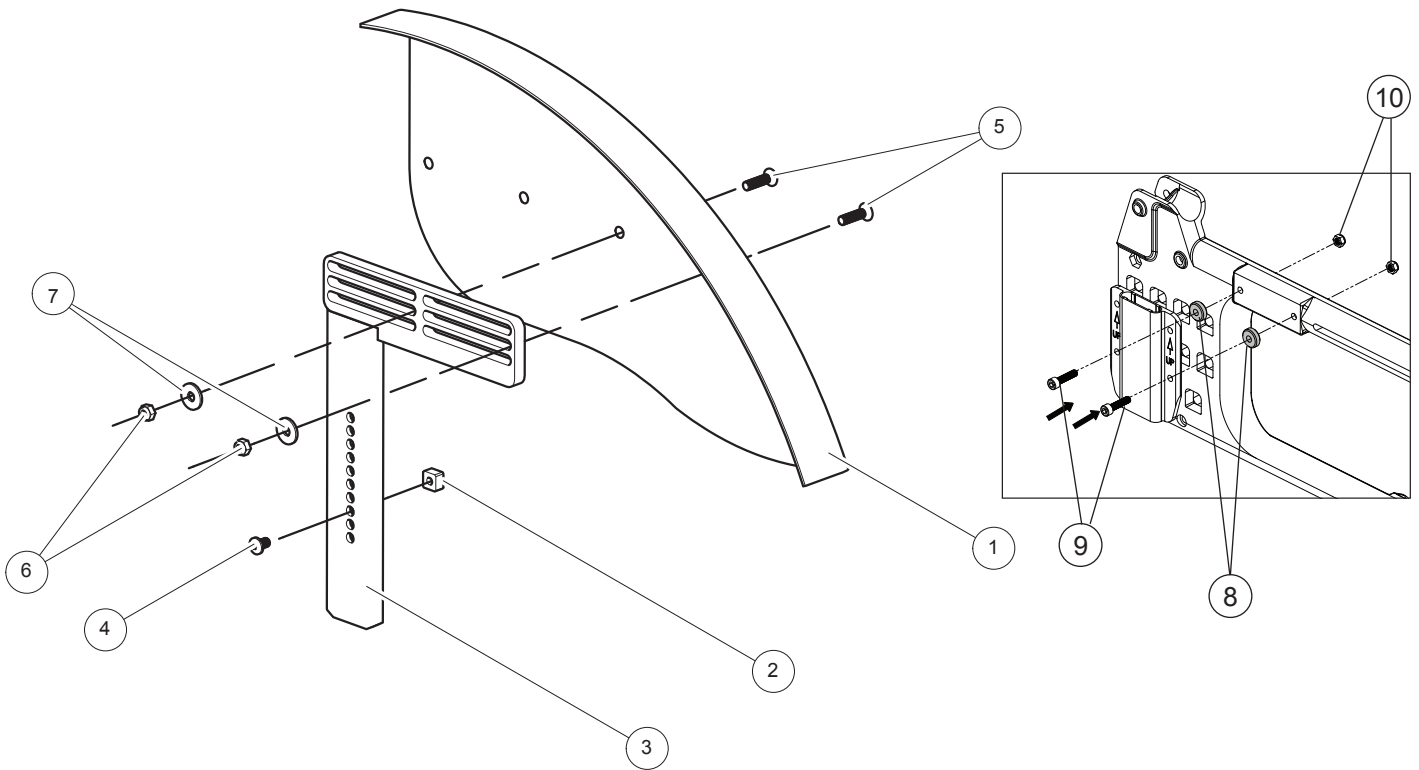
Pos	Description	Item No
1	Sideguard bracket Cross 6005 T6 SS4107-06 .....	80631
2	Stop bar for armrest .....	80661
3	Screw M 5x 14 MF6S 10.9.....	11237
4	Sideguard Cross/M100 nylon ri .....	50316
	Sideguard Cross/M100 nylon le .....	50317
1-4	Sideguard Cross ri black .....	25189-1
	Sideguard Cross le black .....	25189-2

## Thigh support compl.



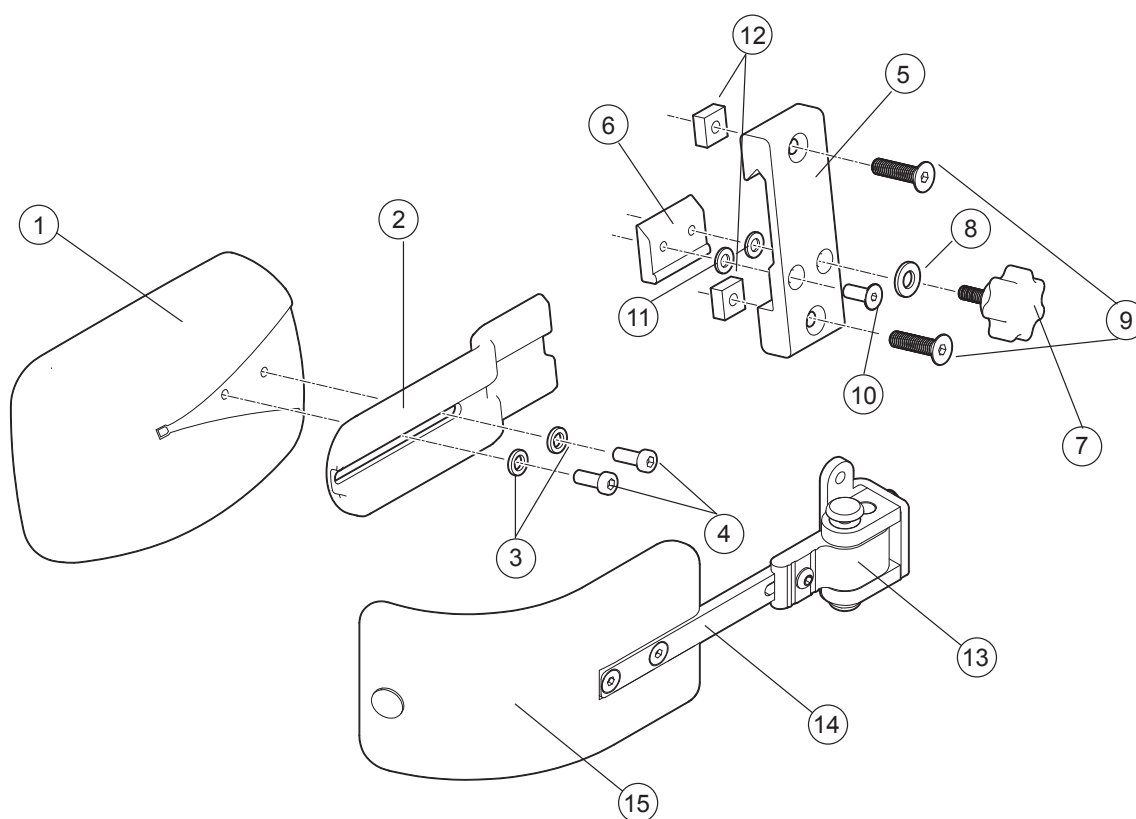
Pos	Description	Item No
1-10	Thigh support short right complete .....	27391-1
	Thigh support short left complete .....	27391-2
	Thigh support long right complete.....	27392-1
	Thigh support long left complete.....	27392-2
1	Thigh support short .....	82523
	Thigh support long .....	82524
2	Attachment thigh support .....	82489
3	Attachment plate thigh support .....	82490
4	Hold plate armrest .....	82408
5	Nut domed M5 black .....	12042
6	Screw M5x14mf6s black .....	11237
7	Screw M5x10 mf6s black .....	11238
8	Screw M6x35 mf6s .....	11287
9	Washer 6,4x22x4 .....	13062
10	Locking nut M6 black .....	12035
11	Soft part thigh support complete right .....	82488-1
	Soft part thigh support complete left .....	82488-2

# Mudguard



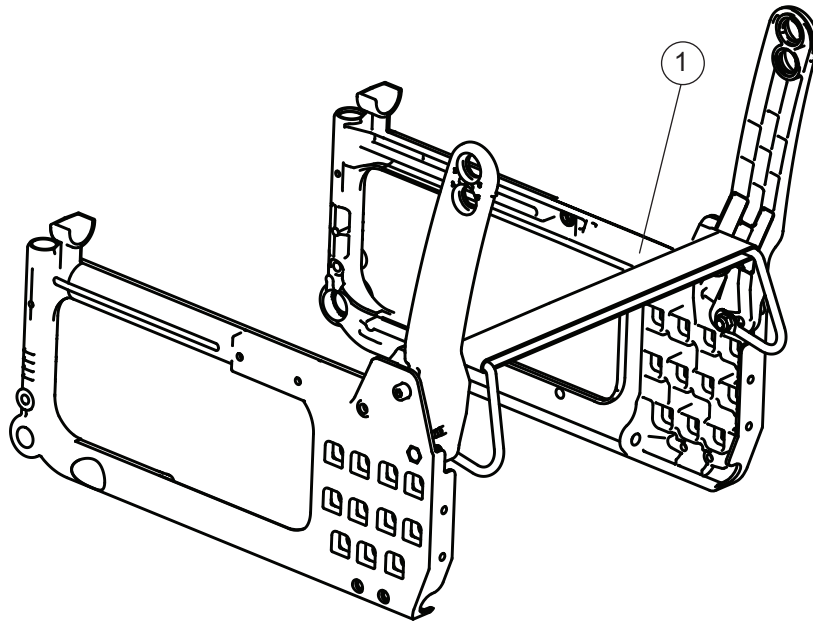
Pos	Benämning	Art nr
1-7	Mudguard black Cross/Elite ri with adj attachment	27397-1
	Mudguard black Cross/Elite le with adj attachment	27397-2
1	Mudguard black ri .....	27414-1
	Mudguard black le .....	27414-2
2	Stop bar for armrest .....	80661
3	Attachment mudguard .....	27396-01
4	Screw M 5x 8 K6S black chrome .....	11304
5	Screw M 5x 20 MF6S black chrome .....	11526
6	Locking nut M 5 .....	12036
7	Washer BRB 5.3x15x1.2 svkr.....	13004
8	Spacer armrest .....	20231
9	Screw M 6x 25 MC6S 12.9 black chrome lock ..	11317
10	Locking nut M6 (see Chapter Side frame) .....	12035

## Trunk support backrest 3A



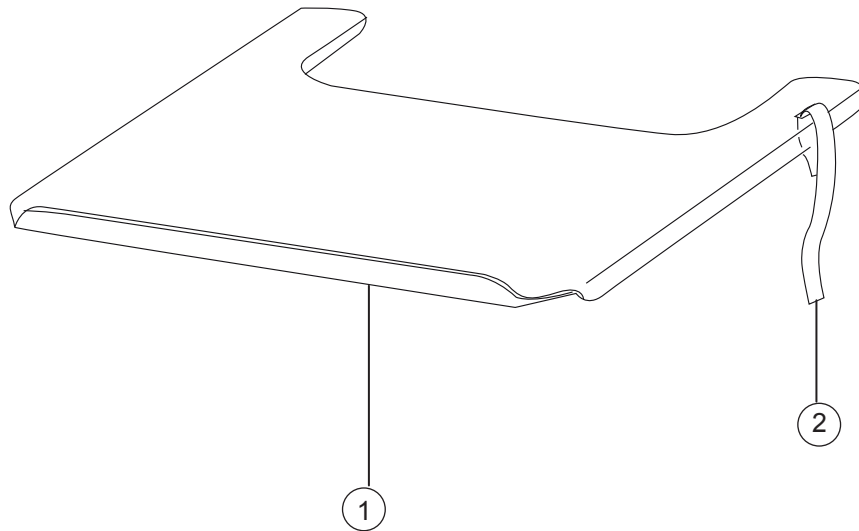
Pos.	Description	Item. No.
1-12	Trunk support Cross back mod 3 incl attachment .....	27395
1	Trunk supp pad curved small Dartex Cross back mod 3 .....	82491
2	Bracket trunk support .....	82507
3	Spring washer 6.1x9.9x1.6 DIN 7980 .....	13014
4	Screw M 5x 12 K6S 10.9 zink plated .....	11208
5	Attachment arm support without screws .....	80403
6	Locking plate arm support .....	80292
7	Knob M 5x15 leg support amputee Cross .....	80807
8	Washer BRB 5.3x15x1.2 black .....	13004
9	Screw M 6x 25 MF6S black esloc .....	11430
10	Screw M 5x 14 MF6S 10.9 black .....	11237
11	Washer 5.3x 10x 0.5m DIN 137A zink plated .....	13026
12	Nut M 6 FK4M.....	12115
13	Attachment trunk support swing away R compl .....	27947-1
13	Attachment trunk support swing away L compl .....	27947-2
14	Bar trunk support swing away L straight 12 .....	27948
15	Cushion trunk support medium bent black H 6.5 L 17 .....	27949
15	Cushion trunk support large bent black H 9 cm L 19.....	27950

## Seat extension backrest 3A



Pos	Description	Item No
1	Upholstetry seat extension 45-60 cm Cross back 3 .....	62977

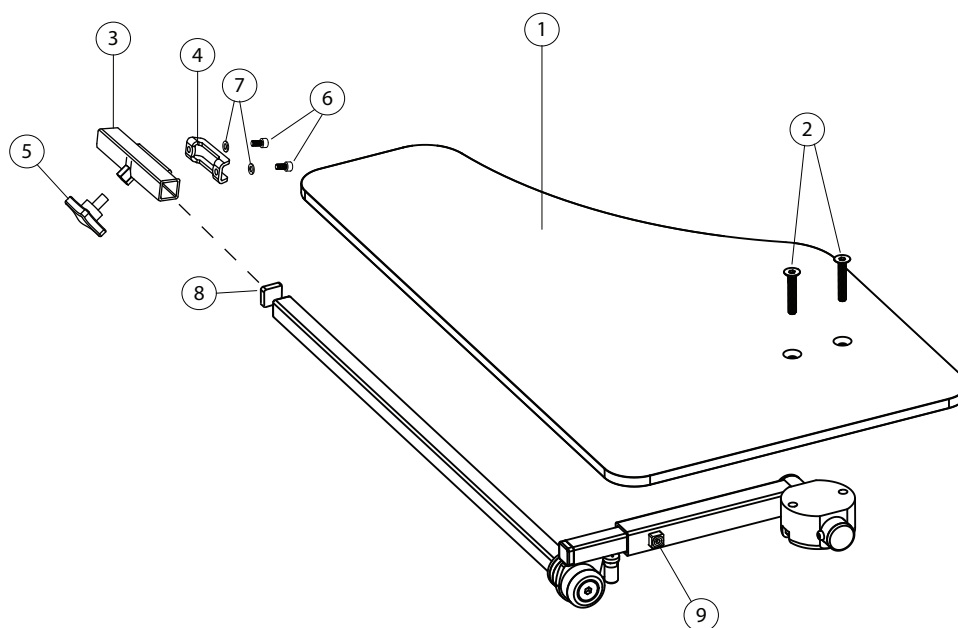
# Tray



Pos	Description	Item No
1	Strap for tray 27.5-50 cm (11-20) .....	62103
1-2	Tray 57.5 cm compl for wheelchair 47.5 cm (19")	25731
	Tray 60 cm compl for wheelchair 50 cm (20").....	24601
	Tray 62,5 cm compl for wheelchair 52,5 cm (21")	26020
	Tray 65 cm compl for wheelchair 55 cm (22").....	26021
	Tray 67,5 cm compl for wheelchair 57,5 cm (23")	26022
	Tray 70 cm compl for wheelchair 60 cm (24").....	26907

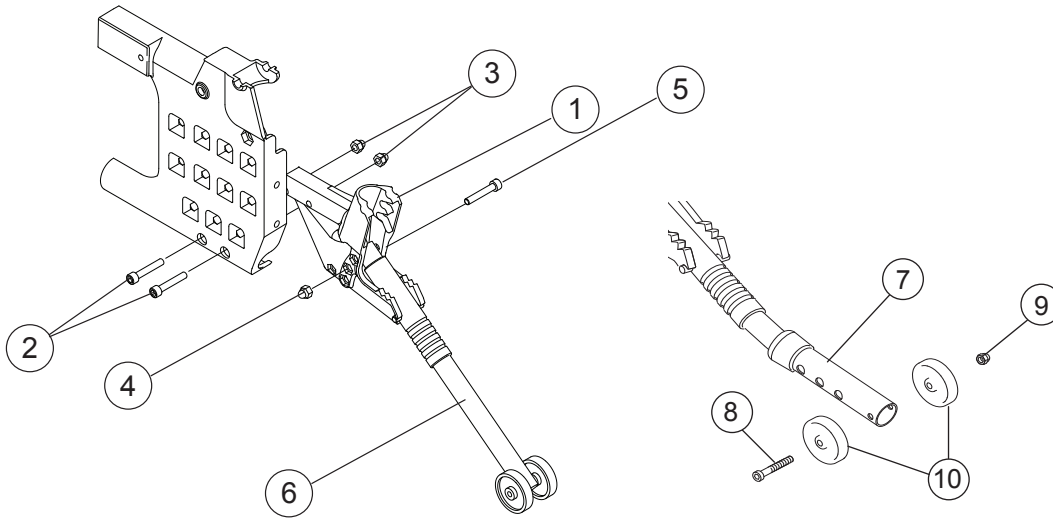


## Tray hemi/Communication



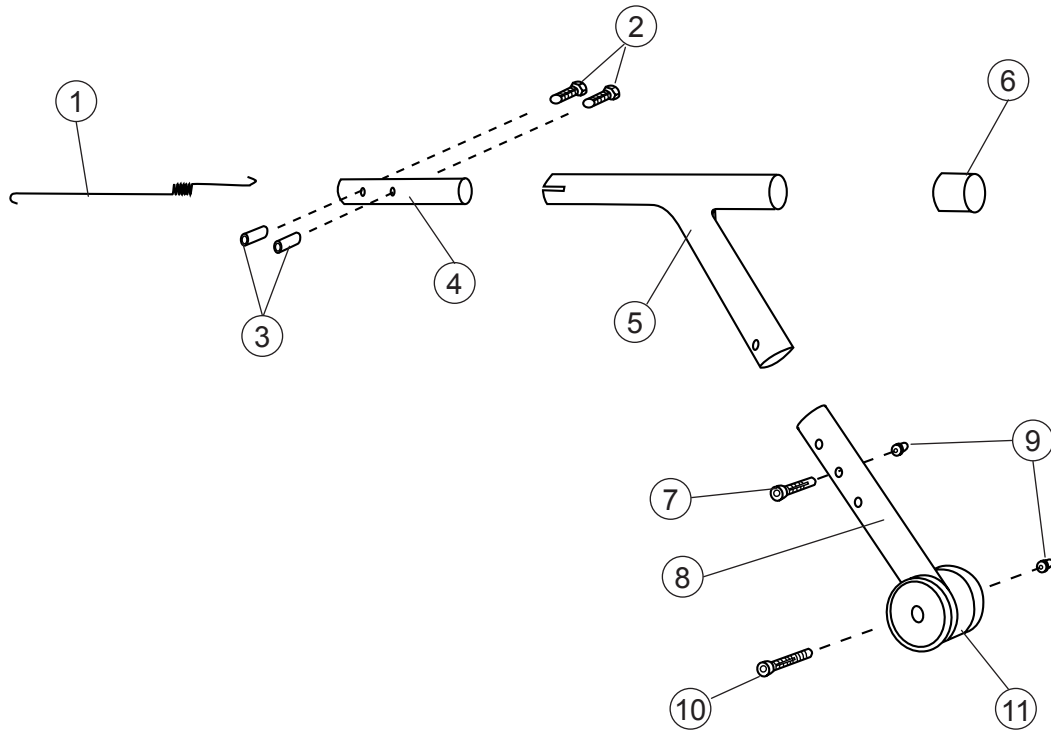
Pos	Benämning	Art nr
1-9	Tray hemi tip-up right .....	27352-1
	Tray hemi tip-up left .....	27352-2
1	Plate table .....	82420
2	Screw MF6S M6 x 35 fzb .....	11287
3	Hold arm rest.....	27356
4	Hold plate arm rest.....	82408
5	Locking wheel M8x14mm L.....	400118
6	Screw M 5x 8 MC6S.....	11414
7	Washer 5,3 x 10 x 0,5 fzb.....	13026
8	IFR 1515-1,55.....	50972
9	Stop screw M6 x 10.....	11614

# Anti-tip



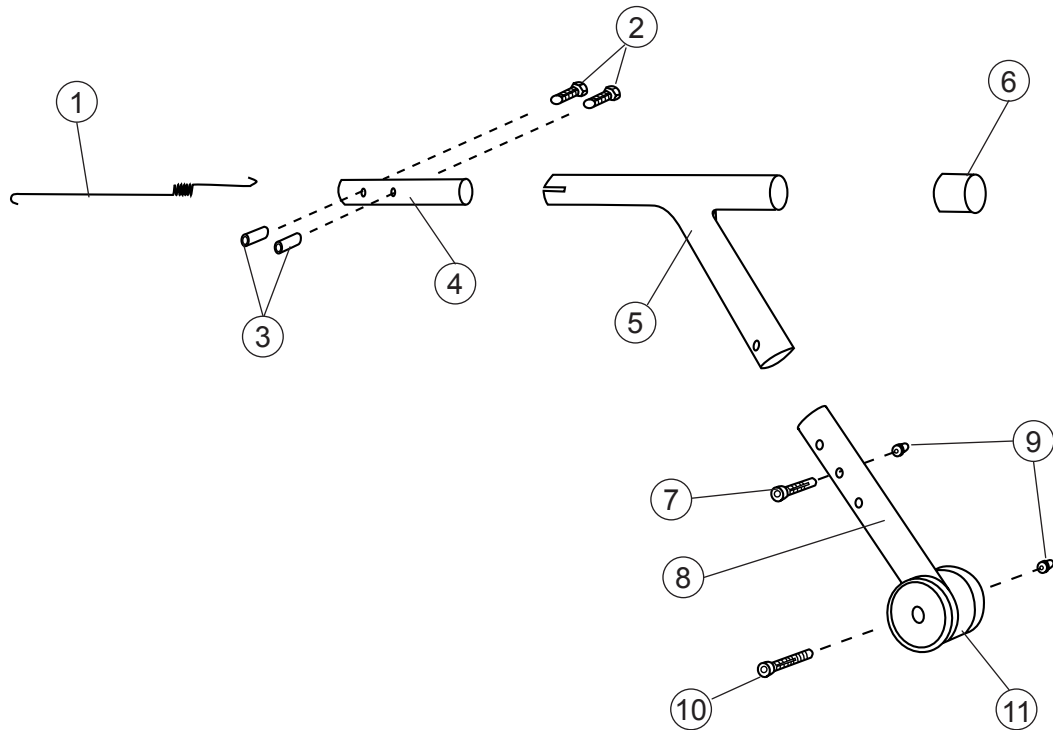
Pos	Description	Item No
1	Attachment anti-tip Cross/Twin right .....	81247
	Attachment anti-tip Cross/Twin left .....	81248
2	Screw M 6x 35 MC6S .....	11533
3	Domed nut M 6 black .....	12005
4	Locking nut M 6 fzb .....	12017
5	Screw M 6x 40 MC6S fzb .....	11229
6	Anti-tip tube	
1-6	Anti tip Cross/Twin 20-22 .....	26270-1
	Anti tip Cross/Twin 20-22 .....	26270-2
1-6	Anti tip Cross/Twin compl ri .....	26162-1
	Anti tip Cross/Twin compl le .....	26162-2
1-5, 7-10	Anti tip Cross telescoping ri .....	26869-1
	Anti tip Cross telescoping le .....	26869-2
8	Screw M 5x 55 MC6S 12.9 fzb .....	11397
9	Locking nut M 5 domed black .....	12042
10	Wheel 40/5.2/12 for anti tip black .....	80727

# Anti-tip



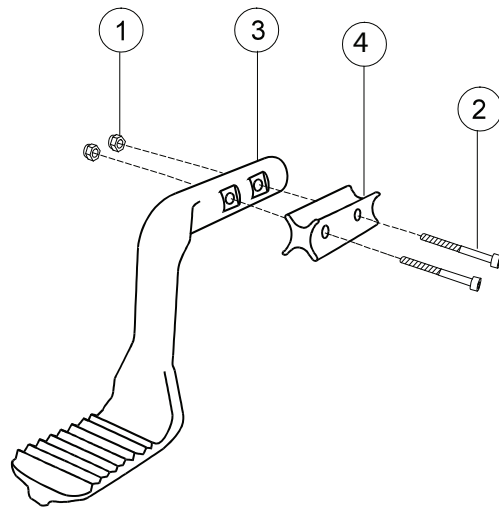
Pos	Description	Item No.
1-11	Anti tip Cross/Twin compl .....	25633-01
1	Spring t 1.75 mm Twin .....	80864
2	Screw M 6x 16 MC6S 12.9 black chrome .....	11253
3	Threaded cap D10 M6 L18 .....	15008
4	Attachment tube .....	25635-01
5	Anti tip tube Twin .....	25661-01
6	Plug d22 black .....	50336
7	Screw M 5x 30 MC6S fz .....	11346
8	Extensionpart short .....	25759-01
9	Locking nut M 5 domed fzb .....	12042
10	Screw M 5x 55 MC6S fzb .....	11397
11	Wheel for anti tip black .....	80727

# Anti-tip



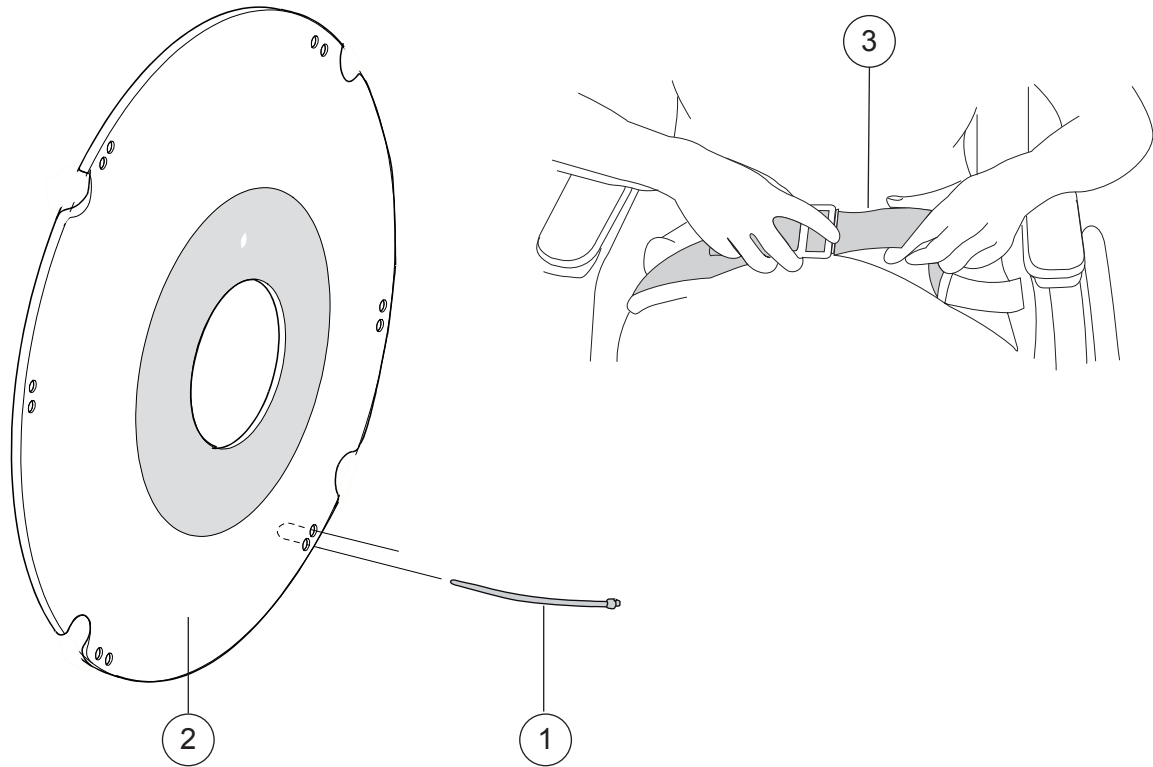
Pos	Description	Item No.
1-11	Anti tip Cross compl mounted in a-row .....	25761-01
1	Spring t 1.75 mm Twin .....	80864
2	Screw M 6x 16 MC6S 12.9 black chrome .....	11253
3	Threaded cap D10 M6 L18 .....	15008
4	Attachment tube .....	25635-01
5	Anti tip tube Twin .....	25661-01
6	Plug d22 black .....	50336
7	Screw M 5x 30 MC6S fz .....	11346
8	Extensionpart long black .....	25760-01
9	Locking nut M 5 domed fzb .....	12042
10	Screw M 5x 55 MC6S fzb .....	11397
11	Wheel for anti tip black .....	80727

# Tilter



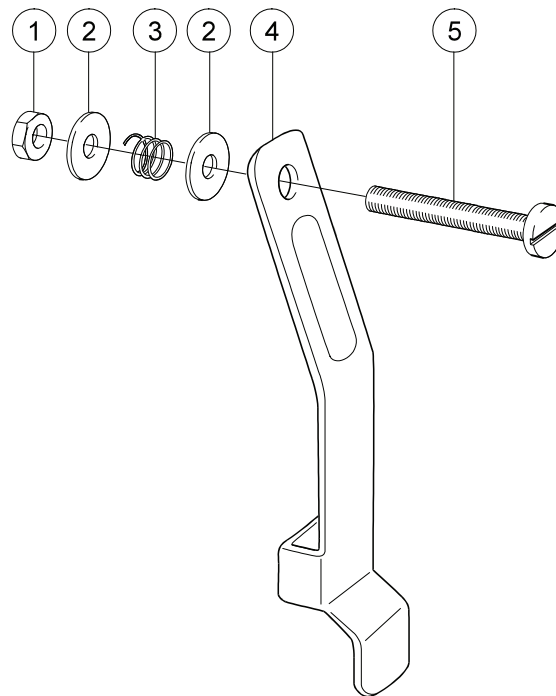
Pos	Description	Item No
1	Locking nut M 6 .....	12035
2	Screw M 6x 25 MC6S 12.9 .....	11317
	Screw M 6x 55 MC6S 12.9 black chrome .....	11351
2	Tilter Cross .....	80716
1-3	Tilter Cross .....	25368
4	Adapter tramrör .....	80745
1-2,4	Adapter tramprör kompl .....	25395

# Spoke guard



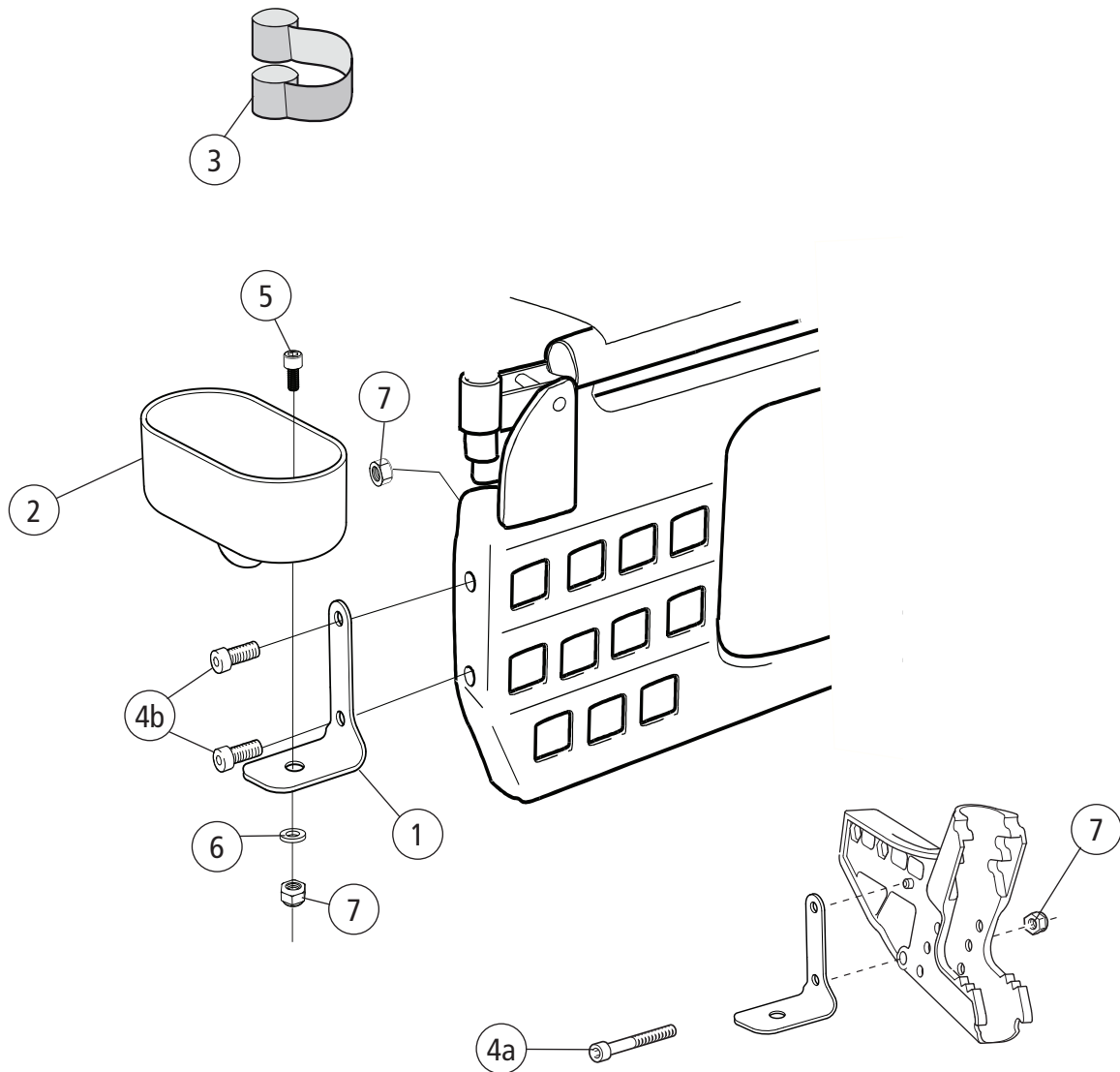
Pos	Description	Item No
1	Attachment kit spokeguard .....	26276
1-2	Spoke guard 20" with logo grey .....	25502-28
	Spoke guard 20" with logo yellow.....	25502-29
	Spoke guard 22" with logo grey .....	25503-28
	Spoke guard 22" with logo yellow.....	25503-29
	Spoke guard 24" with logo grey .....	25504-28
	Spoke guard 24" with logo yellow.....	25504-29
3	Positioning belt compl .....	25668

## Quad quickrelease adapter



Pos	Description	Item No
1	Locking nut M 5 DIN 985-6 fzb.....	12003
2	Washer 6.4x 14x 1.55 alu .....	13010
3	Spring 1.5 inv 6 L15 fzb .....	80019
4	Tongue tetraknob black .....	24040-01
5	Screw M 5x 35 fzb .....	11001
1-5	Quad quick release adapt black .....	24051-01

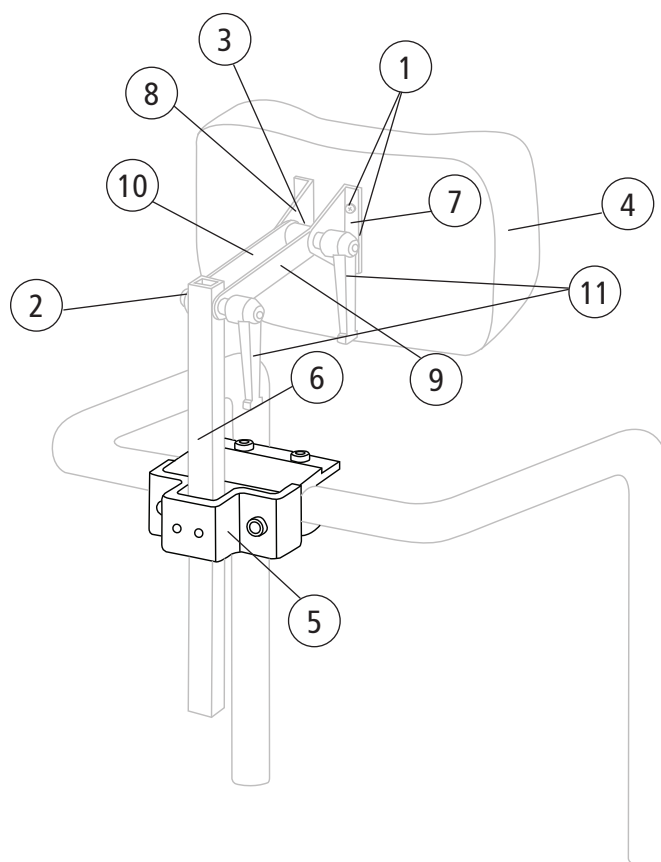
# Cane holder



Pos	Description	Item No
1-7	Cane holder universal compl.....	27327
1	Bracket cane holder .....	82390
2	Cane holder M100 .....	50866
3	Elastic ribbon Cross black.....	80621
4a	Screw M 6x 40 MC6S fzb .....	11229
4b	Screw M 6x 20 MC6S 8.8 .....	11392
5	Screw M6 x 12 MC6S 8,8 fzb .....	11577
6	Washer 6.4x14x1.5 DIN 134 black chrome.....	13058
7	Locking nut M 6 fzb .....	12017

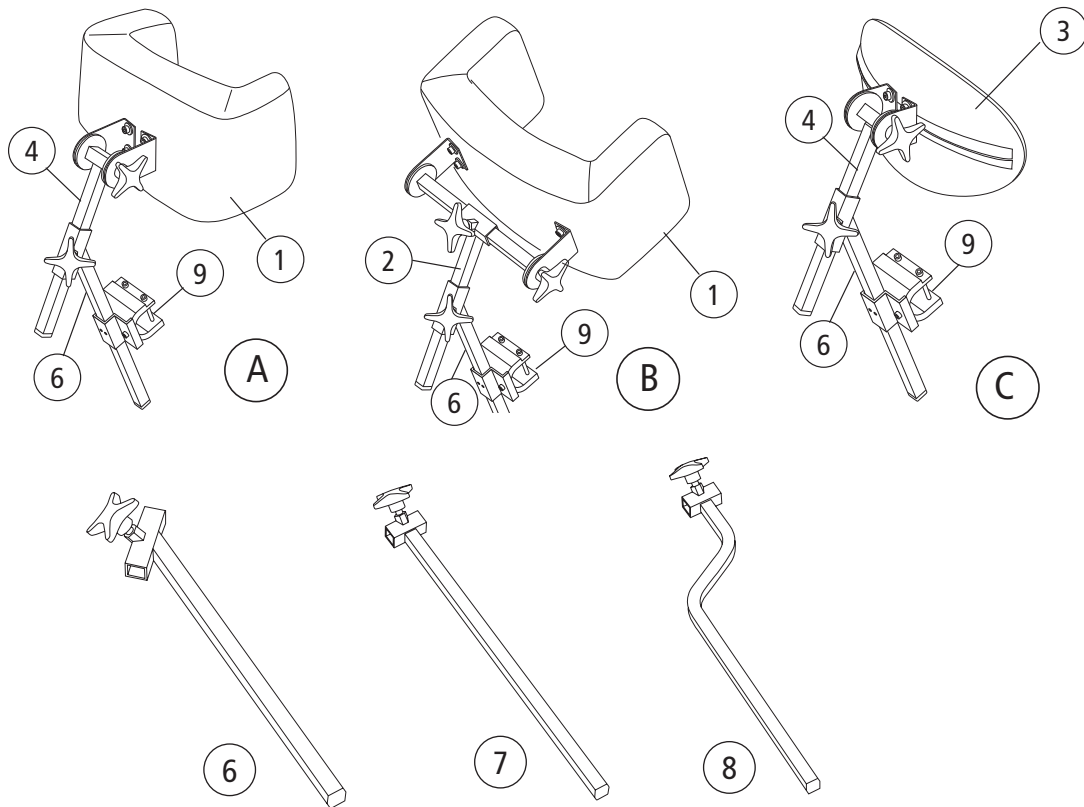


# Headrest



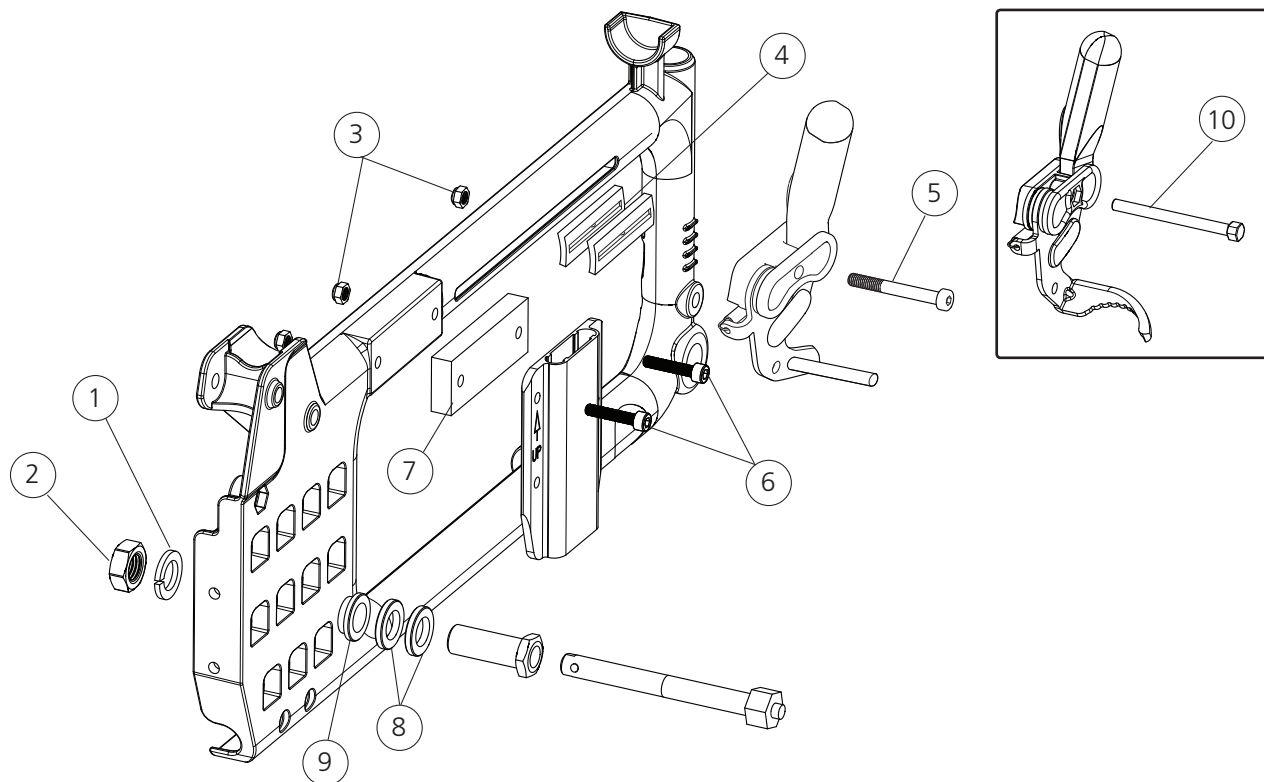
Pos	Description	Item No.
1-11	Headrest mod 1 Dartex 26x14 cm incl tube with two joints excl attachment	24462-63
	Headrest mod 1 dark grey 26x14 cm incl tube with two joints excl attachment	24462-60
1	Screw M 5x 16 MRX black chrome .....	112413
2	Washer M10 IZ DIN 6798/A2 .....	13019
3	Spacer D20 d8.5 L16 black .....	20197
4	Cushion headrest Dartex .....	24470-63
	Cushion headrest Cross backrest 2 dark grey .....	24470-60
5	Headrest bracket Cross back 2 compl .....	25795
6	Bracket headrest Cross .....	24472
7	Bracket backrest Cross .....	24473
8	Bracket backrest Cross .....	24474
9	Attachment loop headrest .....	24475
10	Attachment loop headrest .....	24476
11	Handle m 8 x 30 65 mm black .....	80123

# Headrest



Pos	Description	Item No.	
A	1 Headrest mod 2 w side support with height adj tube 45 degr Dartex	405766	
	Headrest mod 2 w side support pad only Dartex .....	405753	
	4 Depth adjust tube compl f head rest excl height adj tube .....	406262	
	6 Height adj tube 45 degrees for headrest .....	406255	
9	Headrest bracket Cross back 2 compl .....	25795	
	B	1 Headrest mod 2 w side support with height adj tube 45 degr	
		Dartex sidewpos .....	405767
		Headrest mod 2 w side support pad only Dartex .....	405753
2 Side adj bracket compl/ f headrest .....		400261	
6	Height adj tube 45 degrees for headrest .....	406255	
	9	Headrest bracket Cross back 2 compl .....	25795
C		3 Headrest mod 3 curved with height adj tube 45 degr Dartex .....	405761
	Headrest mod 3 curved pad only Dartex .....	405751	
	4 Depth adjust tube compl f head rest excl height adj tube .....	406262	
	6 Height adj tube 45 degrees for headrest .....	406255	
9	Headrest bracket Cross back 2 compl .....	25795	
	7 Height adj tube 90 degrees for headrest .....	400260	
8	Height adj tube curved f head rest .....	400262	

## Width expansion kit



Pos	Description	Item No.
1-10	Width expansion kit 20 mm .....	26854
1	Locking Washer M16 fzb DIN 128 B .....	13039
2	Nut 5/8 UL6M UNF fzb .....	12016
3	Locking nut M 6 black chrome.....	12035
4	Adapter brake .....	50393
5	Screw M 6x 60 MC6S black chrome .....	11408
6	Screw M 6x 30 MC6S 8.8 black chrome esloc ....	11398
7	Spacer expansion kit.....	50956
8	Spacer rear axle .....	20232
9	Camber washer Cross 0 deg .....	20331
10	Screw M 6x 65 M6S 8.8 svkr .....	11606