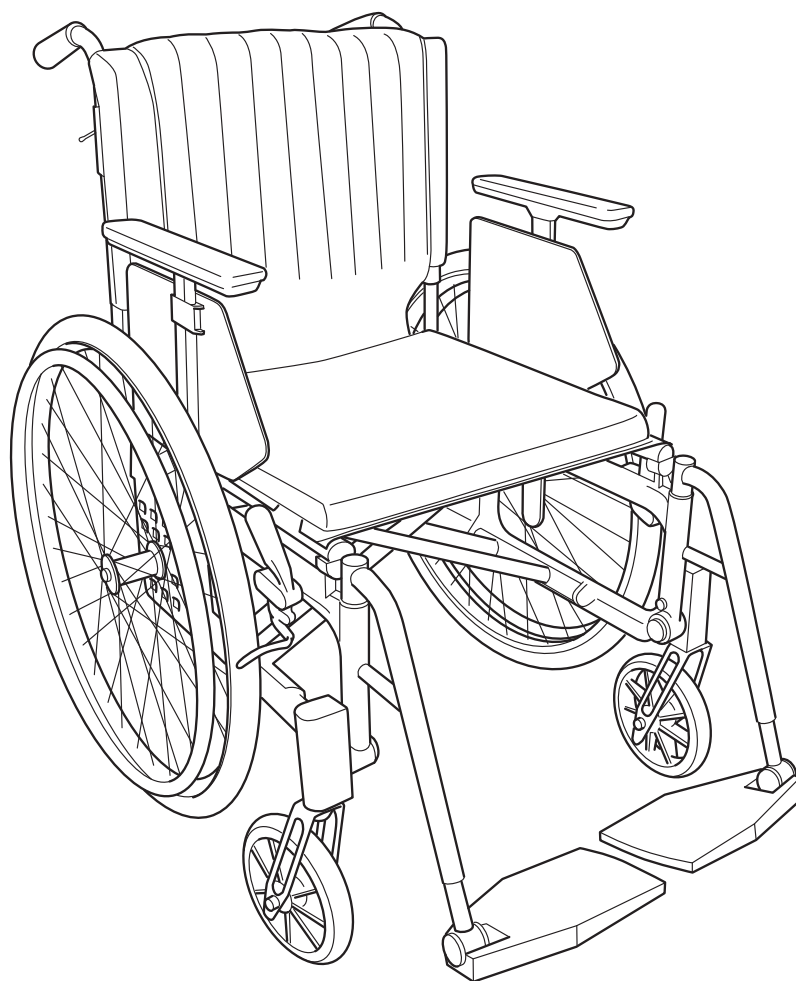


Etac Cross

Etac Cross with drum brakes



Index

Content	Page
Side frame	3
Cross frame	4
Back rest tube adjustable	5
Backrest 3A	6-7
Back rest tube tapered	8
Back rest tube high backrest	9
Back rest tube angled	10
Bow handle	11
Backrest brace	12
Legrest	13
Legrest elevating mod 1	14
Legrest elevating mod 2	15
Legrest elevating mod 3	16
Amputation support	17
Footrest	18
Whole footrest.....	19
Brakes	20
Rear wheels complete	21
Rear whells without tube and tyre	22
Drum brakes	23-24
Single-hand drive	25
Tyre and innertube	26
Handrim	27
Castors	28
Width expansion kit.....	29
Seat upholstery	30
Solid seat.....	31
Backrest upholstery	32
Backrest cover.....	33-35
Armrests.....	36-37
Flip-up armrests	38
Sideguard	39
Thigh support	40
Mudguard	41
Trunk support	42
Seat extension	43
Tray	44
Tray hemi.....	45
Tray hemi tip-up.....	46
Anti-tip	47-52
Tilter	52
Spoke guard/ Positioning belt.....	53
Quad quickrelease adapter.....	54
Cane holder.....	55
Headrest.....	56-57

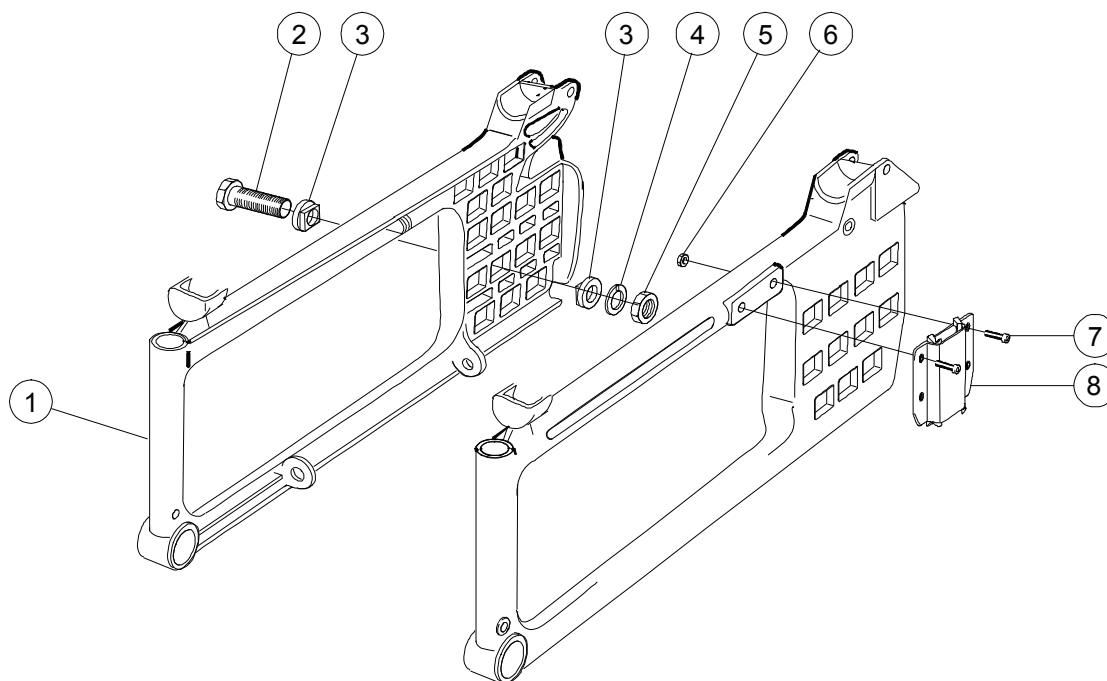
Frame colours:

01=black, 02=red, 34=plum texture, 33=see green texture, 30=blue texture, 22=grey texture, 53= grey blast

Upholstery:

60=dark grey fabric

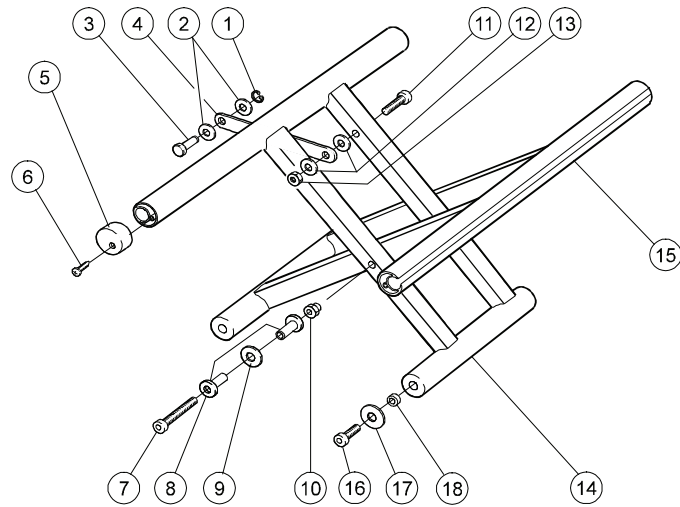
Side frame



Pos	Description	Item No
1, 6-8	Side frame short right	25561-xx-1
	Side frame short left	25561-xx-2
	Side frame long righth.....	25562-xx-1
	Side frame long left.....	25562-xx-2
2	Axle sleeve	20079
3	Camber washer 2 degr	80594
	Camber washer 0 degr	20331
4	Locking washer AZ 5/8	13039
5	Nut 5/8 UL6M UNF fzb	12016
6	Locking nut M 6	12035
7	Screw M 6x 20 MC6S 8.8	11392
8	Attachment armrest	25535

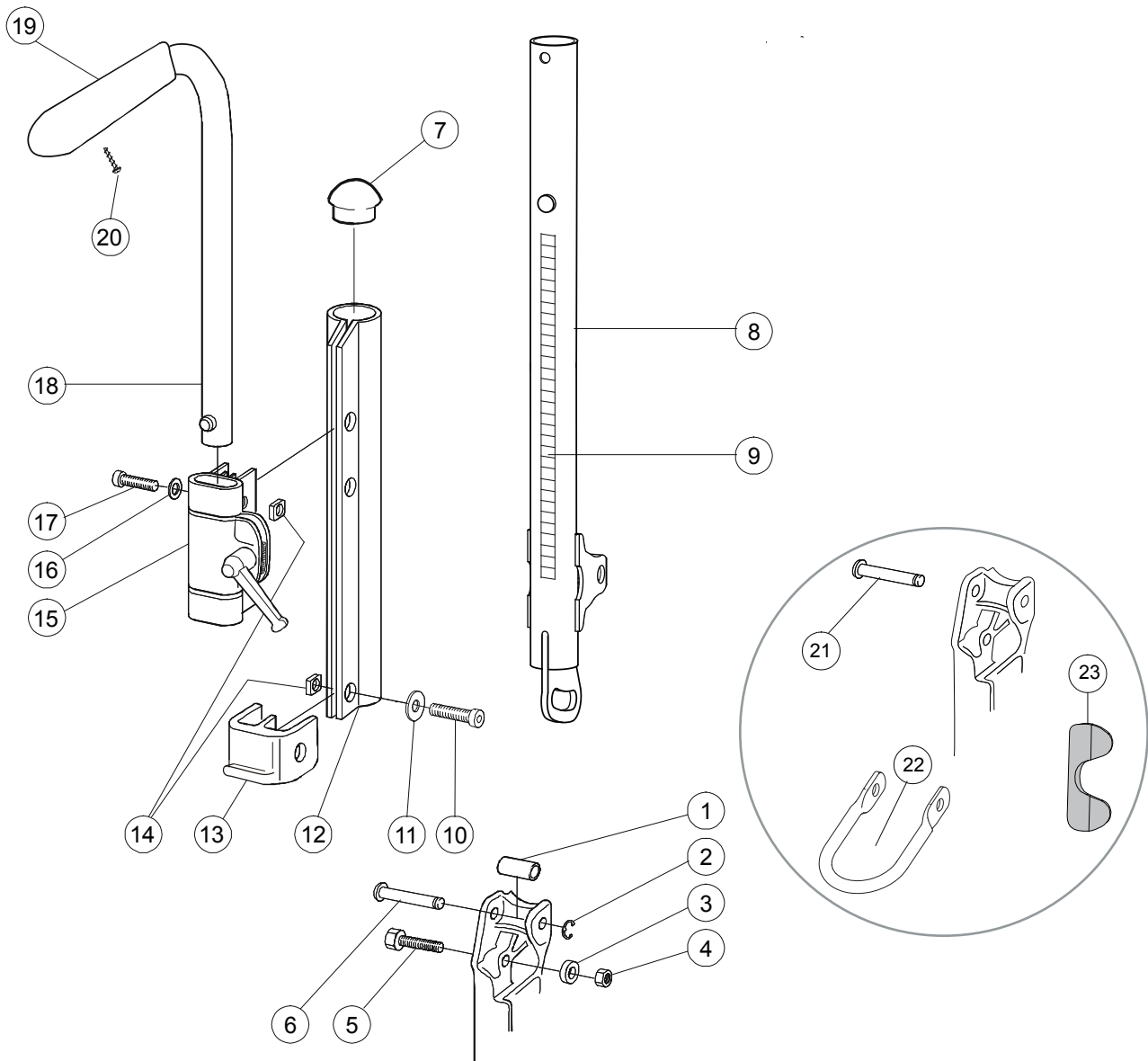
xx=Frame colours, see page 2

Cross frame



Pos	Description	Item No	Pos	Description	Item No
1	Cir clip RSM 4 stainless	13054	4-15	Cross short 35 compl (14) mod 4	27832-01
2	Joint bushing	50285		Cross short 37.5 ((15) compl mod 4	27833-01
3	Axle plate Cross frame	20332		Cross short 40 (16) compl mod 4	27834-01
1-3, 5-6, 16-18	Attachment kit frame kit	25765		Cross short 42.5 (17) compl mod 4	27835-01
4	Plate cross frame 35 cm (14")	25148		Cross short 45 (18) compl mod 4	27840-01
	Plate cross frame 37.5 cm (15")	25149		Cross short 47.5 (19) compl mod 4	27841-01
	Plate cross frame 40 cm (16)	25150		Cross short 50 (20) compl mod 4	27842-01
	Plate cross frame 42.5 cm (17") .	25151		Cross short 52.5 (21) compl mod 4	27843-01
	Plate cross frame 45 cm (18")	25152		Cross short 55 (22) compl mod 4	27844-01
	Plate cross frame 47.5 cm (19")	25725		Cross long 35 (14) compl mod 4	27836-01
	Plate cross frame 50 cm (20")	25451		Cross long 37.5 (15) compl mod 4	27837-01
5	Plug seat tube Cross	50406		Cross long 40 (16) compl mod 4	27838-01
6	Screw B8x16FXS black chrome ..	11401		Cross long 42.5 (17) compl mod 4	27839-01
7	Screw M 6x 55 MC6S 12.9	11351		Cross long 45 (18) compl mod 4	27847-01
8	Cross brace washer Cross	20383		Cross long 47.5 (19) compl mod 4	27848-01
9	Washer 6.4x14x1.5	13058		Cross long 50 (20) compl mod 4	27849-01
10	Washer skiffy D12.5 d6.4 t1.0 ...	50277		Cross long 52.5 (22) compl mod 4	27850-01
11	Domed nut M 6 black	12005	16	Screw M 6x 25 MC6S black esloc 8.8	
12	Screw M 5x 35 MC6S fzb	11290		DIN 912	11636
13	Joint bushing	50285	17	Washer 25/10/1.5 black pa	50281
14	Locking nut M 5	12036	18	Joint cross frame	20322

Backrest tube adjustable

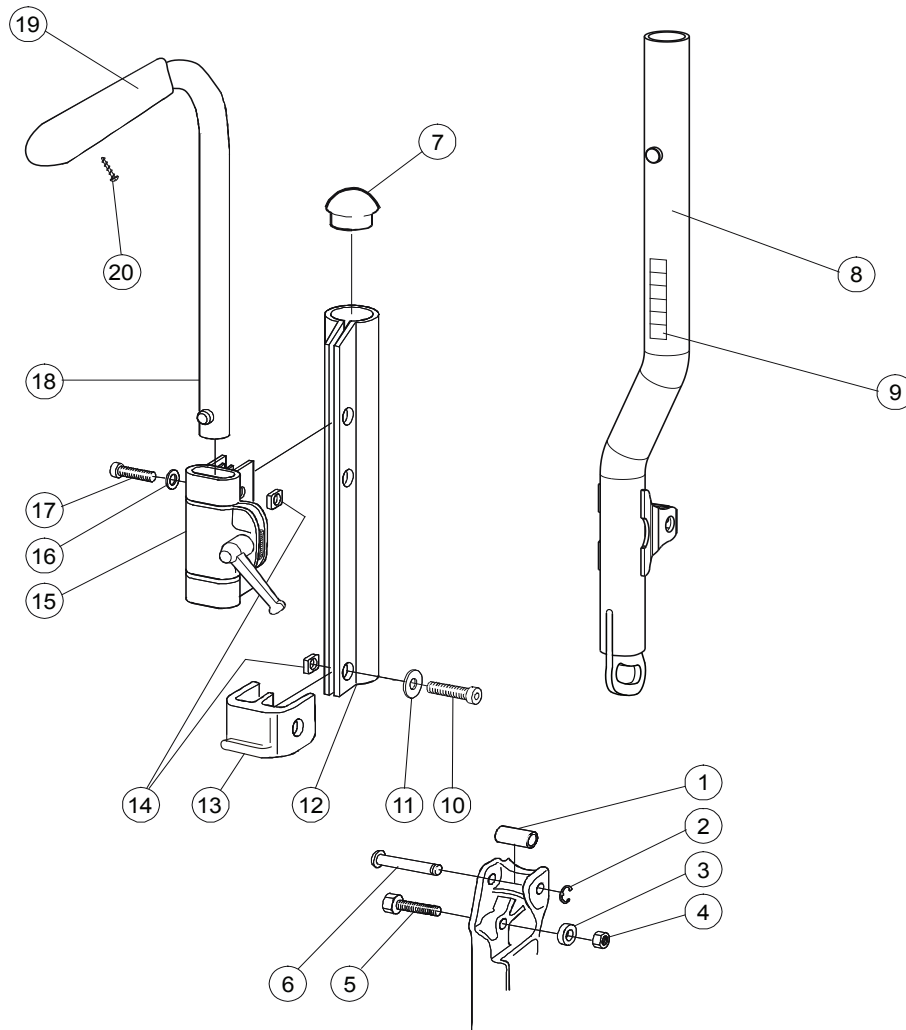


Pos	Description	Item No	Pos	Description	Item No
1	Joint support backrest	20319	14	Square nut high M6	12058
2	Cir clip RSM 6 stainless	13036	7-14	Backrest tube compl. right	25609-01-1
3	Spacer 20/8.5/9.5	20320		Backrest tube compl. left	25609-01-2
4	Locking nut M 8x 1 DIN 985 ...	12051	15	Attachement push handles	25676
5	Screw M 8x 1x30 black	11363	16	Washer BRB M 6	13030
6	Axle back joint Cross	20318	17	Screw M6x30 MC6S 8.8 black esl	11398
7	Plug 25-21/23 R12.5	50248	18-20	Push handle h adj Cross std	27338-01
8	Back tube Cross back 2	25593-01	18	Push handles heightadjustable	27298
9	Label height adjustment	71851	19	Cover for handle.....	82221
10	Screw M 6x 22 MC6S fzb	11012	20	Screw M6 x 25	11041
11	Washer BRB 6x3x10x1.5 fzb ...	13080	21-23	Securement points compl.	26910
12	Wedge back 6063A-T6	80851	21	Axle positioning belt	20416
13	Dust cover Cross back 2 right .	50405	22	Securement points.....	81980
	Dust cover Cross back 2 left	50407	23	Protection seatbelt	50871

Backrest 3A

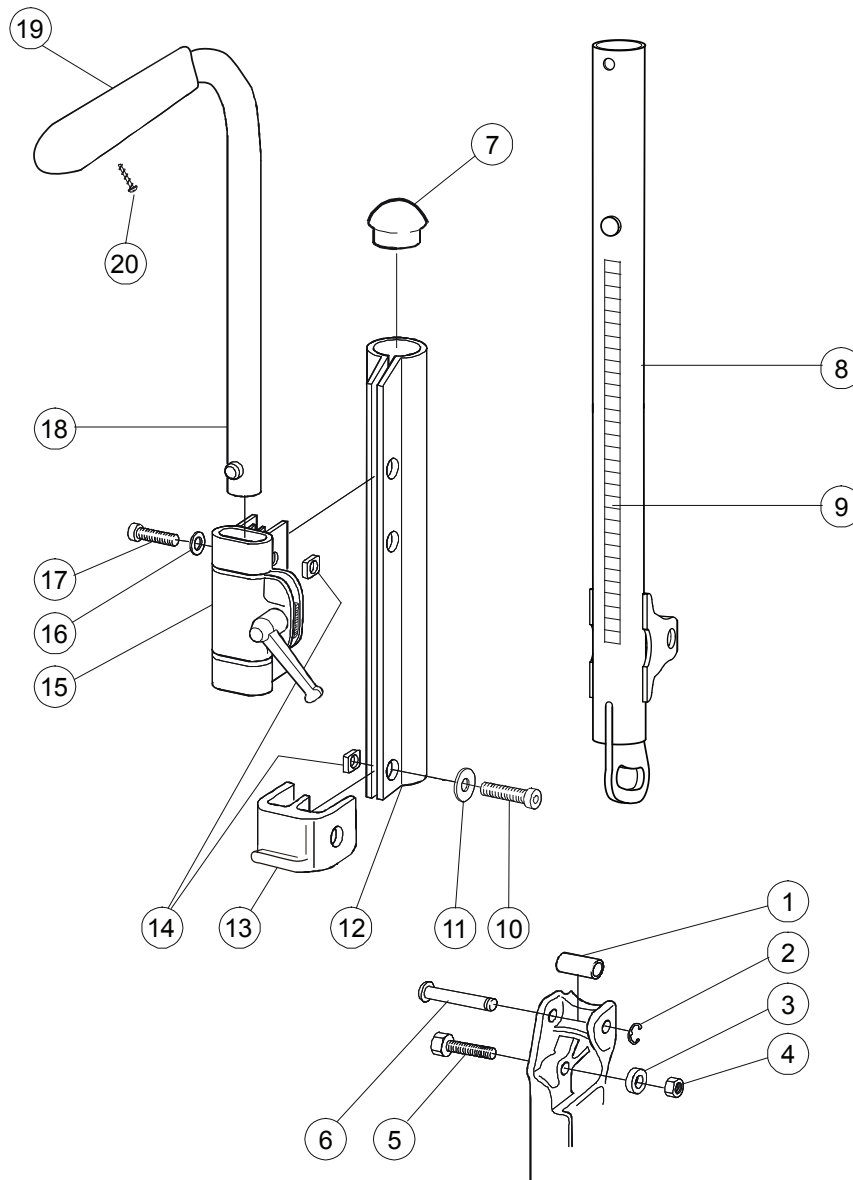
Pos	Benämning	Art nr
1	Screw M 8x 1x30 black	11363
2	Screw M 8x 55 K6S fzb	11633
3	Spacer PS 9x15x0.5 black	13114
4	Securement points Cross ri	82500
	Securement points Cross le	82501
5	Locking nut M 8x 1 DIN 985	12051
6	Ledbussning rygg mod. 3	82504
7	Backrest chassis Cross mod 3 ri	82455
	Backrest chassis Cross mod 3 le	82456
Monoangular back		
8	Nut T-slot back Cross back mod 3	20028
9	Screw M 5x 20 MF6S fzb esloc	11635
10A	Center washer outer/inner Cross back mod 3	20500
10B	Washer clearance outer Cross back mod 3	20503
10C	Washer clearance inner Cross back mod 3	20502
11	Screw M 6x 18 MC6S low fzb	11630
12	Circlip M6 wavy fzb	13113
Biangular back		
8	Nut T-slot back Cross back mod 3	20028
9	Screw M 5x 20 MF6S fzb esloc	11635
10D	Eccentric washer inner Cross back mod.3	82458
10B	Washer clearance outer Cross back mod 3	20503
10E	E6ccentric washer outer Cross back mod 3	82457
10C	Washer clearance inner Cross back mod 3	20502
11	Screw M 6x 18 MC6S low fzb	11630
12	Circlip M6 wavy fzb	13113
Triangular back		
8	Nut T-slot back Cross back mod 3	20028
10D	Eccentric washer inner Cross back mod.3	82458
10E	Eccentric washer outer Cross back mod 3	82457
11	Screw M 6x 18 MC6S low fzb	11630
12	Circlip M6 wavy fzb	13113
13a	Back rail Cross 3A right	82444-1
	Back rail Cross 3A left	82444-2
13b	Back rail Cross 3A high right	82582-1
	Back rail Cross 3A highleft	82582-2
14a	Label height adjustment	71347
14b	Label height adjustment high	71355
15	Dust cover 1 Cross back mod 3	50995
	Dust cover 2 Cross back mod 3	50996
16	Screw M 4x 12 MC6S fzb	11637
17	Locking nut M 4 fzb	12026
18	Attachment push handle ri	27371-1
	Attachment push handle le	27371-2
19	Push handle height adj Cross std	27338-01
20	Push handle fixed Crossback 3A	27644

Backrest tube tapered



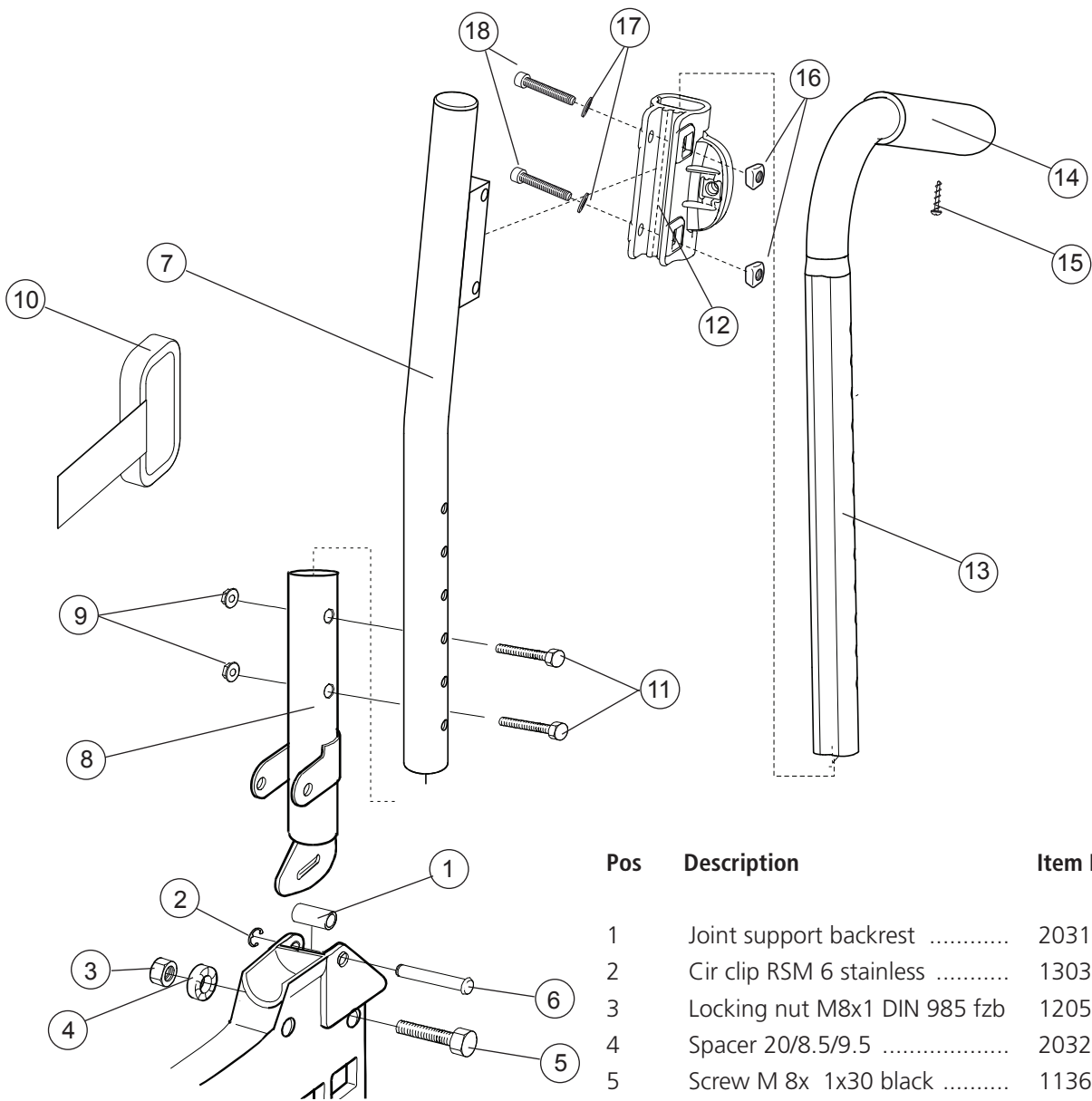
Pos	Description	Item No	Pos	Description	Item No
1	Joint support backrest	20319	12	Wedge back 6063A-T6	80851
2	Cir clip RSM 6 stainless	13036	13	Dust cover Cross back 2 right .	50405
3	Spacer 20/8.5/9.5	20320		Dust cover Cross back 2 left	50407
4	Locking nut M 8x 1 DIN 985 ...	12051	14	Square nut high M6.....	12058
5	Screw M 8x 1x30 black	11363	8-14	Back rest tube tapered compl. right	26269-01-1
6	Axle back joint Cross	20318		Back rest tube tapered compl. left	26269-01-2
7	Plug 25-21/23 R12.5	50248	15	Attachement push handles	25676
8	Backrest tube tapered right	262690-01-1	16	Washer BRB M 6	13030
	Backrest tube tapered left	262690-01-2	17	Screw M6x30 MC6S 8.8 black esl	11398
9	Label height adjustment	71962	18-20	Push handle h adj cross std	27338-01
10	Screw M 6x 22 MC6S fzb	11012	18	Push handles heightadjustable	27298
11	Washer BRB 6x3x10x1.5	13080	19	Cover for handle.....	82221
			20	Screw M6 x 25	11041

Backrest tube adjustable high



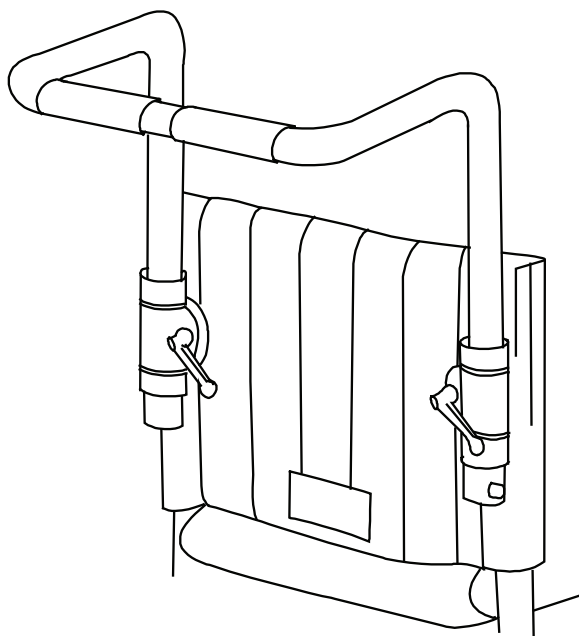
Pos	Description	Item No	Pos	Description	Item No
1	Joint support backrest	20319	12	Wedge back 6063A-T6	80851
2	Cir clip RSM 6 stainless	13036	13	Dust cover Cross back 2 right .	50405
3	Spacer 20/8.5/9.5	20320		Dust cover Cross back 2 left	50407
4	Locking nut M 8x 1 DIN 985 ...	12051	14	Square nut high M6	12058
5	Screw M8x1x35 M6S 12.9 black	11543	15	Attachement push handles	25676
6	Axle back joint Cross	20318	16	Washer BRB M 6	13030
7	Plug 25-21/23 R12.5	50248	17	Screw M6x30 MC6S 8.8 black esl	11398
8	Backrest tube Cross 55 cm right	26349-01-1	18-20	Push handle h adj Cross std	27338-01
	Backrest tube Cross 55 cm left.	26349-01-2	18	Push handles heightadjustable	27298
9	Label height adjustment	72332	19	Cover for handle.....	82221
10	Screw M 6x 22 MC6S	11012	20	Screw M6 x 25	11041
11	Washer BRB 6x3x10x1.5	13080			

Backrest tube angled



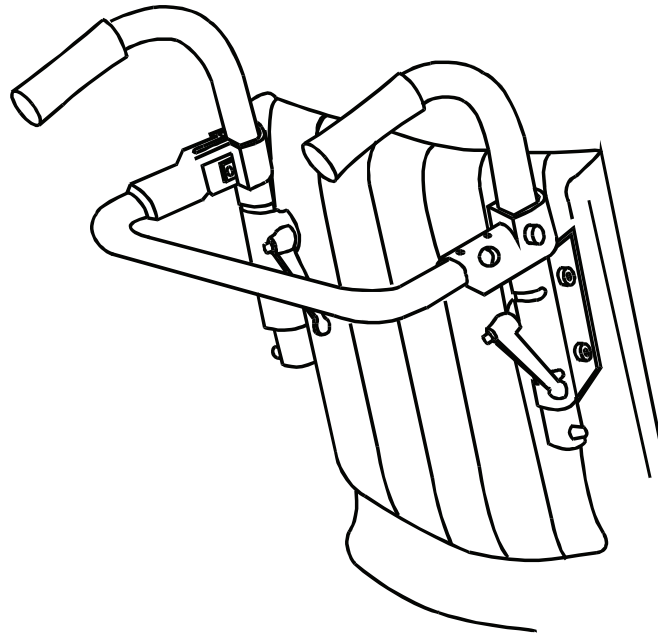
Pos	Description	Item No
1	Joint support backrest	20319
2	Cir clip RSM 6 stainless	13036
3	Locking nut M8x1 DIN 985 fzb	12051
4	Spacer 20/8.5/9.5	20320
5	Screw M 8x 1x30 black	11363
6	Axle back joint Cross	20318
7	Attachment tube push handle .	26570-01
8	Attachment for backrest	26571-01
9	Locking nut M5 M6MF fzb	12060
10	Cover backrest angled	81668
11	Screw M5x30 M6S fzb.....	11403
12	Attachement push handles	25676
13-15	Push handle h adj Cross std	27338-01
13	Push handles heightadjustable .	27298
14	Cover for handle.....	82221
15	Screw M6 x 25	11041
16	Square nut high M6	12058
17	Washer BRB M 6	13030
18	Screw M 6x 30 MC6S	11398

Bow handle



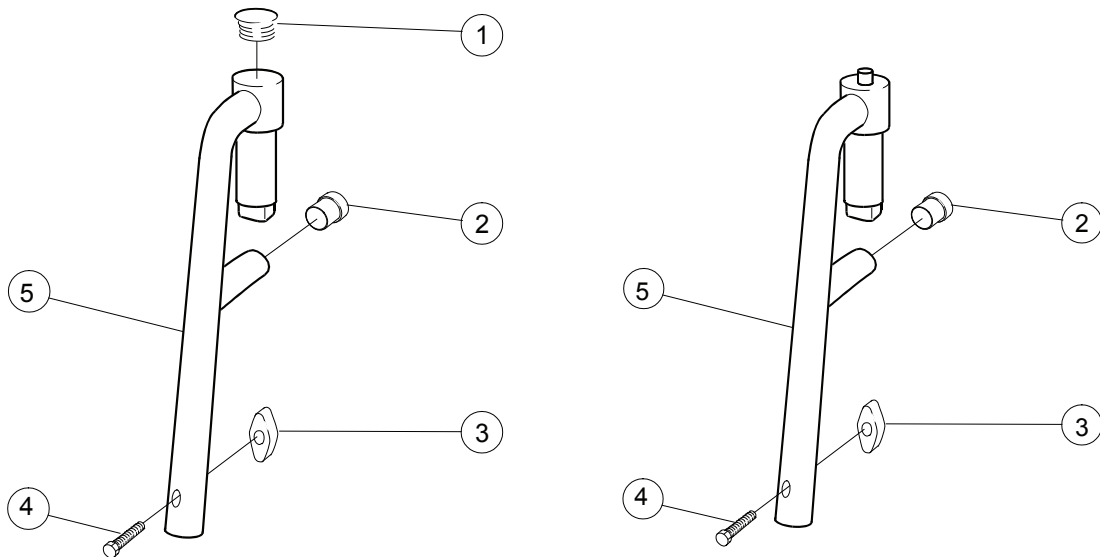
Pos	Description	Item No.
1	Bow handle 32.5 cm back 3A 35 cm height adj compl.....	27433-01
	Bow handle Cross back2 35 cm back 3A 37.5 cm height adj compl.....	25578-01
	Bow handle Cross back2 37.5 cm back 3A 40 cm height adj compl.....	25579-01
	Bow handle Cross back2 40 cm back 3A 42.5 cm height adj compl.....	25580-01
	Bow handle Cross back2 42.5 cm back 3A 45 cm height adj compl.....	25581-01
	Bow handle Cross back2 45 cm back 3A 47.5 cm height adj compl.....	25582-01
	Bow handle Cross back2 47.5 cm back 3A 50 cm height adj compl.....	25730-01
	Bow handle Cross back2 50 cm height adj compl.....	25583-01
	Bow handle Cross XL 52.5 cm back 3A 55 cm height adj compl.....	26068-01
	Bow handle Cross XL 55 cm back 3A 57.5 cm height adj compl.....	26069-01

Backrest brace



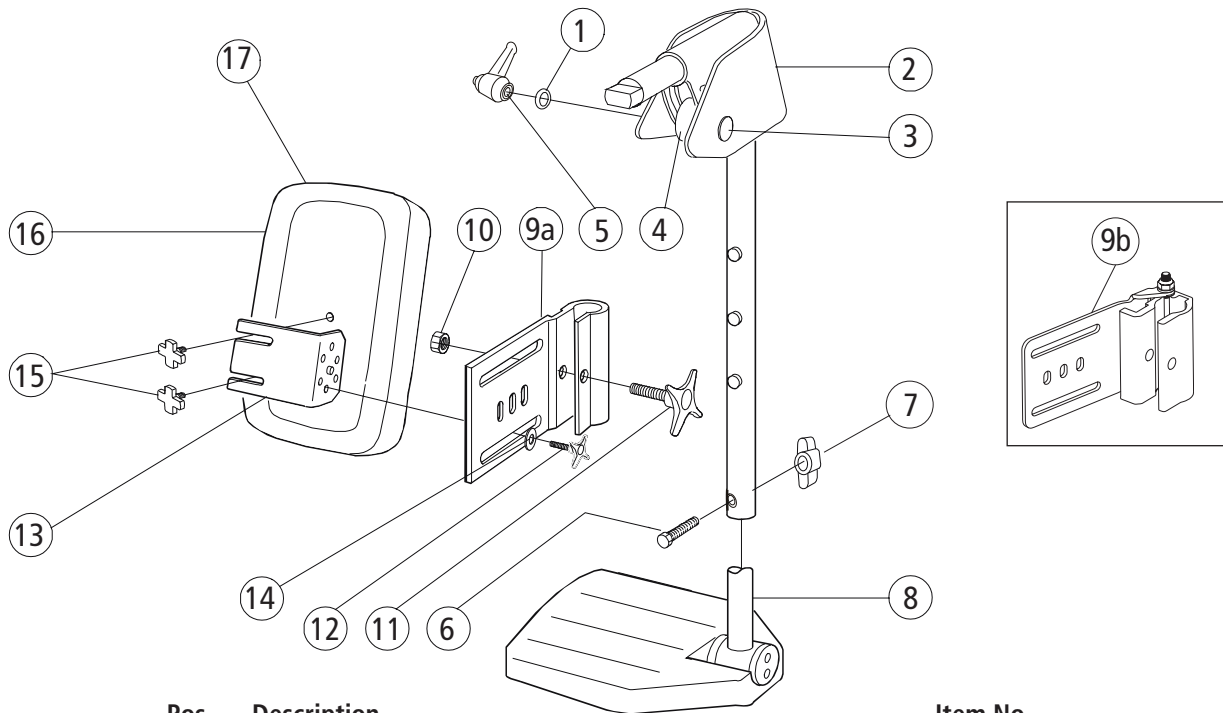
Pos	Description	Item No.
1	Backrest brace 32.5 cm 35 cm back 3A compl.....	27431
	Backrest brace 35 cm Cross backrest 2/M100/ 37.5 cm back 3A compl.....	25610
	Backrest brace 37.5 cm Cross backrest 2/M100/ 40 cm back 3A compl.....	25611
	Backrest brace 40 cm Cross backrest 2/M100/ 42.5 cm back 3A compl.....	25612
	Backrest brace 42.5 cm Cross backrest 2/M100/ 45 cm back 3A compl.....	25613
	Backrest brace 45 cm Cross backrest 2/M100/ 47.5 cm back 3A compl.....	25614
	Backrest brace 47.5 cm Cross backrest 2/M100/ 50 cm back 3A compl.....	25739
	Backrest brace 50 cm Cross backrest 2/M100 52.5 cm back 3A compl.....	25615
	Backrest brace 52.5 cm Cross backrest 2/ 55 cm back 3A compl.....	26030
	Backrest brace 55 cm Cross backrest 2/ 57.5 cm back 3A compl.....	26031

Legrest



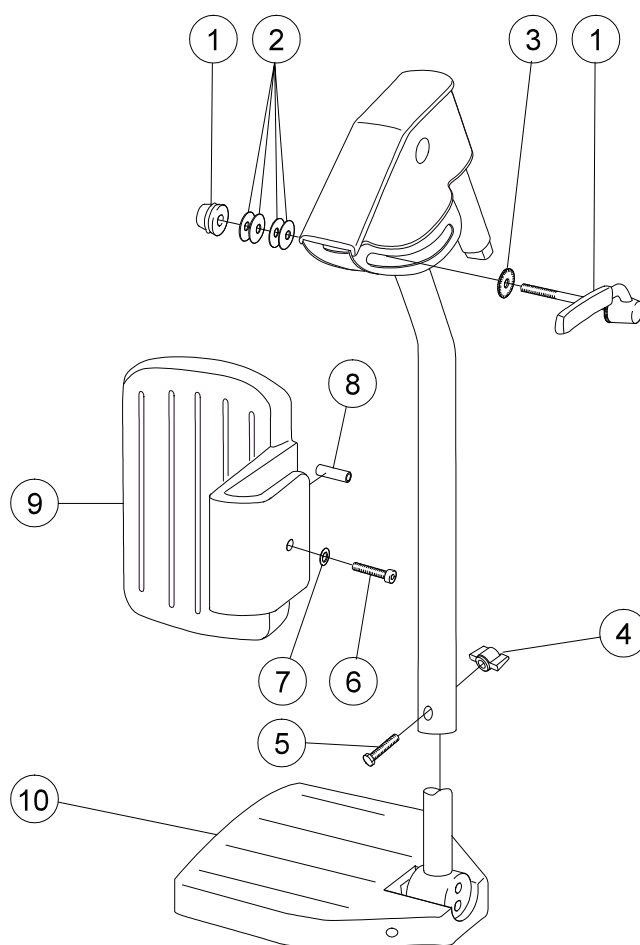
Pos	Description	Item No
1	Dust cover legrest	50287
2	Dust cover 16x 1 black	50240
3	Wing nut WN 314.1	80847
4	Screw M6x30 M6S 8.8 fzb DIN 931	11555
1-5	Legrest narrow angle	25570-01
	Legrest wide angle	25574-01
	Legrest narrow short	25571-01
2-5	Legrest narrow short lockable	25572-01
	Legrest narrow lockable	25573-01
	Legrest wide lockable	25575-01

Legrest elevating mod 1



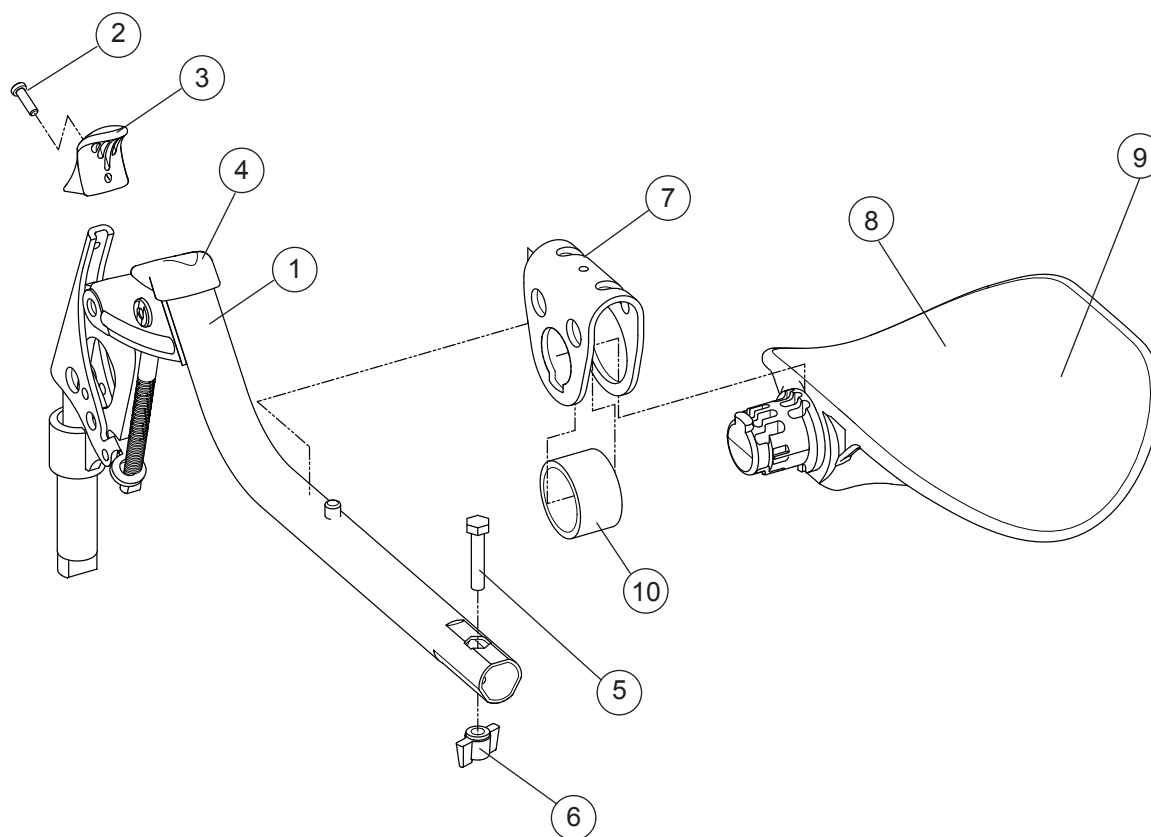
Pos	Description	Item No
1	Washer NB 6x16x1.0 black crome	13034
2	Joint guard legrest angle adjustable	62176
3	Screw M 6x 40 MVBF fzb	11234
4	Spacer legrest vrb Cross	20414
5	Handle M 6x25 43 mm black	80488
6	Screw M 6x 30 M6S fzb	11555
7	Wing nut WN 314.1 25-M 6 polyamid	80847
1-7	Legrest elevating mod 1 Cross black	25660-01
8	See page 16 (footrests)	
9a	Attachment legrest elevating Cross	24446-01
10	Nut M6M M 8 fzb	12006
11	Knob 60x22 M 8x32 black	80295
12	Knob 40 M 6x17 black	80297
13	Holder for calf support legrest elevating black	24421-01
14	Washer 6.4x17x3 DIN 7349 steel fzb	13052
9a-14	Attachment legrest elevating with holder black	24544-01
9b-14	Attachment legrest FlipUp elevating with holder black	27322-01
15	Knob M 5x15 legrest	80807
15-16	Calf support 35-37.5 cm	62105-60
	Calf support 40-42.5 cm	62104-60
	Calf support 45-47.5 cm	62484-60
	Calf support 50-60 cm	62451-60
17	Cover calf support 35-37.5.....	62888-60
	Cover calf support 40-42.5	62889-60
	Cover calf support 45-47.5	62890-60
	Cover calf support 50-60	62906-60

Legrest elevating mod 2



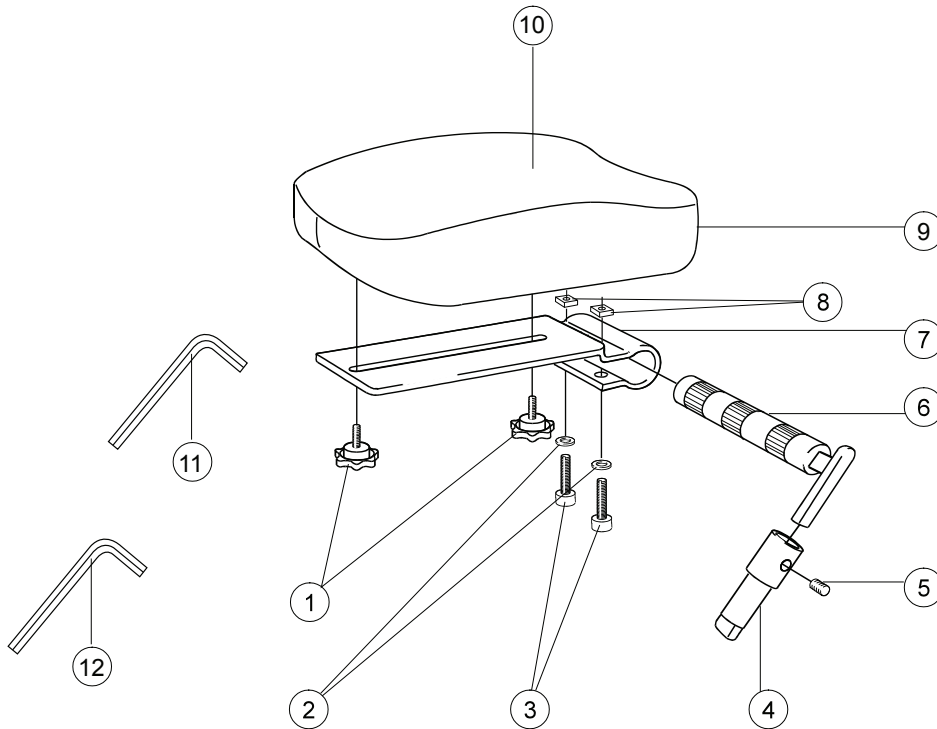
Pos	Description	Item No
1	Calf support 50-60 cm.....	80731
2	Spring washer 18x6.2x0.5 DIN 2093 dakrolit	13057
3	Lock washer M 6 DD fzb DIN 6798-D	13059
4	Wing nut WN 314.1 25-M 6 polyamid	80847
5	Screw M 6x 30 M6S fzb.....	11555
6	Screw M 6x 35 MC6LS fzb	11336
7	Washer 6.4x14x1.5 DIN 134 black chrome	13058
8	Washer Skiffy 05-6-10-20	50340
9	Calf support legrest elevating	25378
1-9	Legrest elevating mod 2 with calf support right ..	25567-1
	Legrest elevating mod 2 with calf support left.....	25567-2
10	See Chapter Footrests	

Legrest elevating mod 3



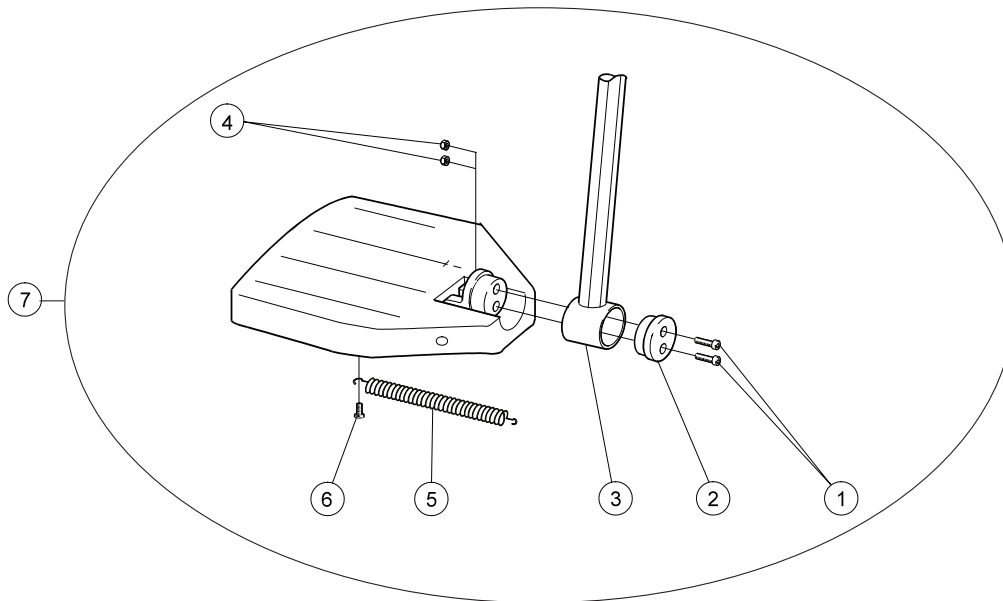
Pos	Description	Item No
1-9	Legrest elevating compl with calf support	26100
2	Screw K40x 10 PT-KX black chrome	11419
3	Handle adj legrest	50842
4	Plastic cover legrest.....	50843
5	Screw M 6x 30 M6S fzb.....	11555
6	Wing nut WN 314.1 25-M 6 polyamid.....	80847
7	Bracket calf support adj legrest.....	26122
8	Calf support adj legrest.....	50844
9	Cover calf support elevating legrest dark grey	62762-60
	Cover calf support elevating legrest Dartex	62762-63
10	PUR ring	50860
7-10	Calf support compl adj legrest	26136
1-6	Legrest elevation without calfsupport	27149

Amputation support



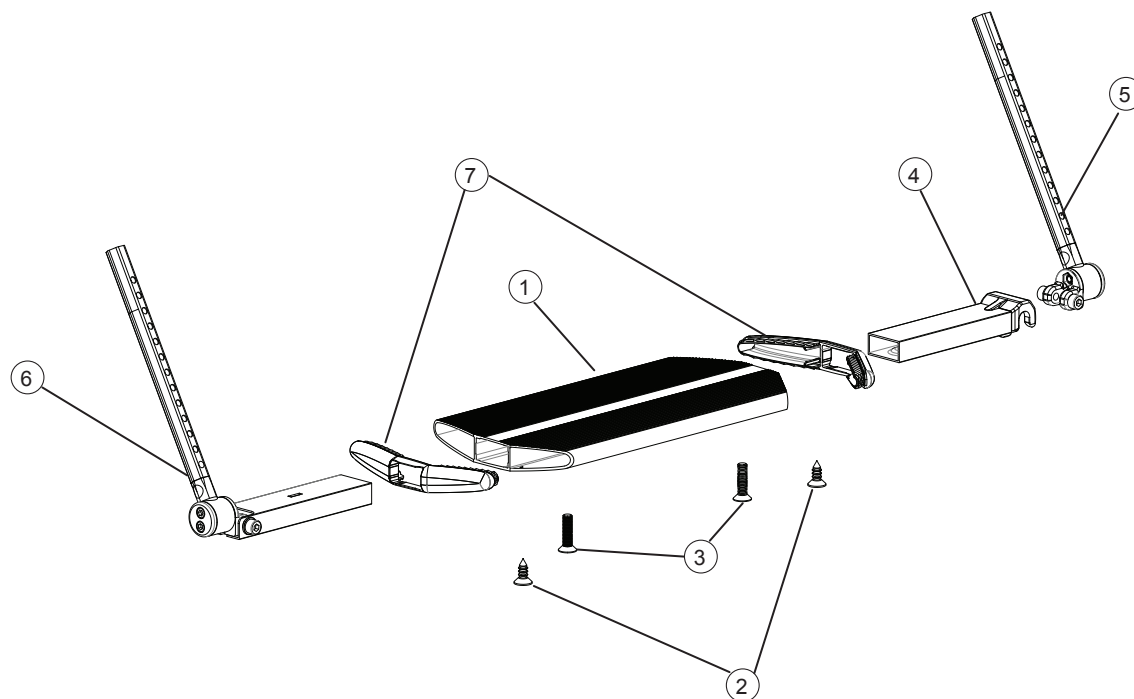
Pos	Description	Item No
1	Knob M 5x15 legrest amputee.....	80807
2	Washer BRB 8.4/A2 stainless.....	13011
3	Screw M 8x 35 MC65.....	11276
4	Locking tube for legrest amputee	25518-01
5	Stop screw M 8x 8 black.....	11388
6	Axle legrest amputee compl.....	25519-01
7	Attachment calf support legrest amputee	80809
8	Square nut high M8.....	12056
9	Support pad legrest amputee.....	62335-60
	Support pad legrest Dartex	62335-63
10	Cover legrest amputee Cross dark grey	62893-60
11	Allen key 4 mm DIN 911.....	80141
12	Allen key 6 mm	82625
1-12	Amputation support compl Dark grey	25516-60
	Amputation support Cross compl Dartex	25516-63

Footrest



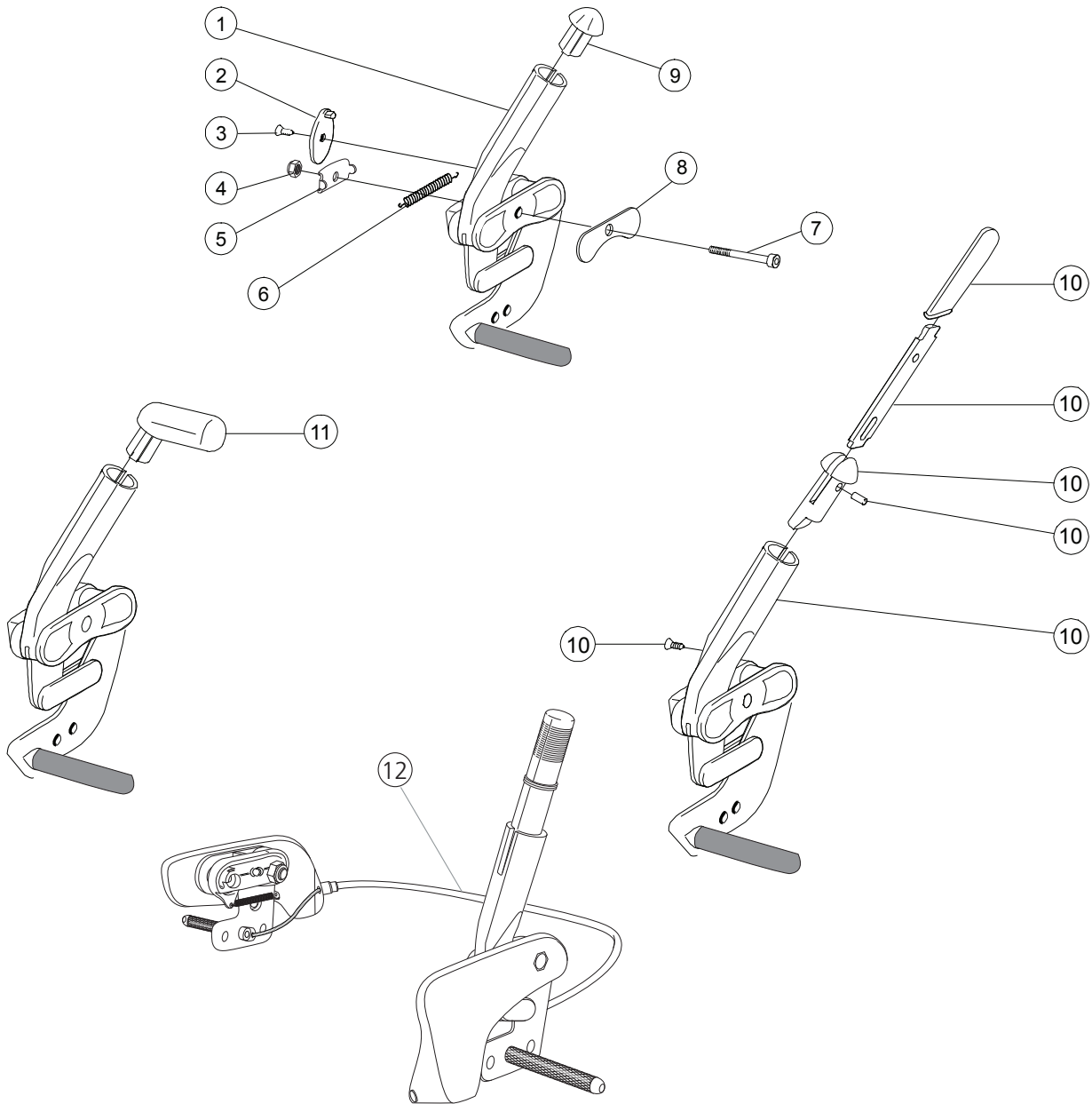
Pos	Description	Item No	Pos	Description	Item No
1	Screw M6x25 MC6S 8.8 fzb ...	11033	7	Footrest short 37.5 cm (15") right	25654-1
2	Locking block footrest	20324		Footrest short 37.5 cm (15") left	25654-2
3	Attachment tube footrest adj short	81999		Footrest short 40 cm (16") right	25655-1
	Attachment tube footrest adj ..	81997		Footrest short 40 cm (16") left	25655-2
	Attachment tube footrest adj long	81998		Footrest short 42.5 cm (17") right	25656-1
4	Locking nut M 6 fzb	12017		Footrest short 42.5 cm (17") left	25656-2
5	Spring footplate Cross	80619		Footrest short 45 cm (18") right	25657-1
6	Screw K40x8 PT-KX PHIL WN 1442 fzb	11344		Footrest short 45 cm (18") left	25657-2
7	(Footrest with std			Footrest short 47.5 cm (19") right	25738-1
	attachment tube 25 cm, 25563")			Footrest short 47.5 cm (19") left	25738-2
	Footrest standard 35 cm (14") right	25641-1		Footrest short 50 cm (20") right	25658-1
	Footrest standard 35 cm (14") left	25641-2		Footrest short 50 cm (20") left	25658-2
	Footrest standard 37.5 cm (15") right	25642-1		(Footrest with long	
	Footrest standard 37.5 cm (15") left	25642-2		attachment +10 cm, 25564")	
	Footrest standard 40 cm (16") right	25643-1		Footrest long 35 cm (14") right	25647-1
	Footrest standard 40 cm (16") left	25643-2		Footrest long 35 cm (14") left..	25647-2
	Footrest standard 42.5 cm (17") right	25644-1		Footrest long 37.5 cm (15") right	25648-1
	Footrest standard 42.5 cm (17") left	25644-2		Footrest long 37.5 cm (15") left	25648-2
	Footrest standard 45 cm (18") right	25645-1		Footrest long 40 cm (16") right	25649-1
	Footrest standard 45 cm (18") left	25645-2		Footrest long 40 cm (16") left .	25649-2
	Footrest standard 47.5 cm (19") right	25736-1		Footrest long 42.5 cm (17") right	25650-1
	Footrest standard 47.5 cm (19") left	25736-2		Footrest long 42.5 cm (17") left	25650-2
	Footrest standard 50 cm (20") right	25646-1		Footrest long 45 cm (18") right	25651-1
	Footrest standard 50 cm (20") left	25646-2		Footrest long 45 cm (18") left..	25651-2
	(Footrest with short			Footrest long 47.5 cm (19") right	25737-1
	attachmnet tube -8 cm, 25565")			Footrest long 47.5 cm (19") left	25737-2
	Footrest short 35 cm (14") right	25653-1		Footrest long 50 cm (20") right	25652-1
	Footrest short 35 cm (14") left	25653-2		Footrest long 50 cm (20") left .	25652-2

Whole footrest



Pos	Description	Item No
1-7	Footrest one piece 35-37.5 cm compl	25936
	Footrest one piece 40-50 cm compl	25937
	Footrest one piece 50-60 cm compl	26853
1	Whole footrest 35-37.5 cm	81130
	Whole footrest 40-50 cm	81131
	Whole footrest 50-60 cm	81993
2	Screw B 6 3.5x 9.5 FXS black chrome	11384
3	Screw M 5x 20 MF6S black chrome	11526
4	Locking joint footrest compl 35-37, 5 cm	25931
	Locking joint footrest compl 40-50 cm, 50-60 cm	25932
5	Attachment tube footrest left	25934
6	Attachment tube footrest right	25935
7	End caps whole footrest	50830

Brakes



Pos	Description	Item No	Pos	Description	Item No
1-9	Brake right compl	27527-1	10	Brake with extended handle compl	25515
	Brake left compl	27527-2	1-8,10	Brake with extended handle right	27530-1
2	Stop detail brake	50373		Brake with extended handle left	27530-2
3	Screw B6 3.5x9.5 FXS svkr	11384		Brake with extended handle right fixed..	27529-1
4	Locking nut M6 DIN 985-6 fzb	12017		Brake with extended handle left fixed....	27529-2
5	Washer inner, brake mod 3.....	82564	11	Brake with angled handle complete kit .	27574
6	Spring for brake	80796	1-8,11	Brake with angled handle right	27528-1
7	Screw M6x50 M6S 8.8 black	11433		Brake with angled handle left	27528-2
8	Washer outer, brake mod 3	82575	12	Single hand brake right	27531-1
9	Plug brake	50368		Single hand brake left	27531-2

Rear wheels complete

20" Rear wheel

Description	Item No
Rear wheel 20 low pressure handrim cellular rubber.	25812
Rear wheel 20 low pressure handrim plastic-coated	26156
Rear wheel 20 low pressure handrim stainless	25088
Rear wheel 20 low pressure without handrim	25084
Rear wheel 20 solid handrim aluminium .	25922
Rear wheel 20 solid handrim cellular rubber	25816
Rear wheel 20 solid handrim stainless	25822
Rear wheel 20 solid without handrim	25486

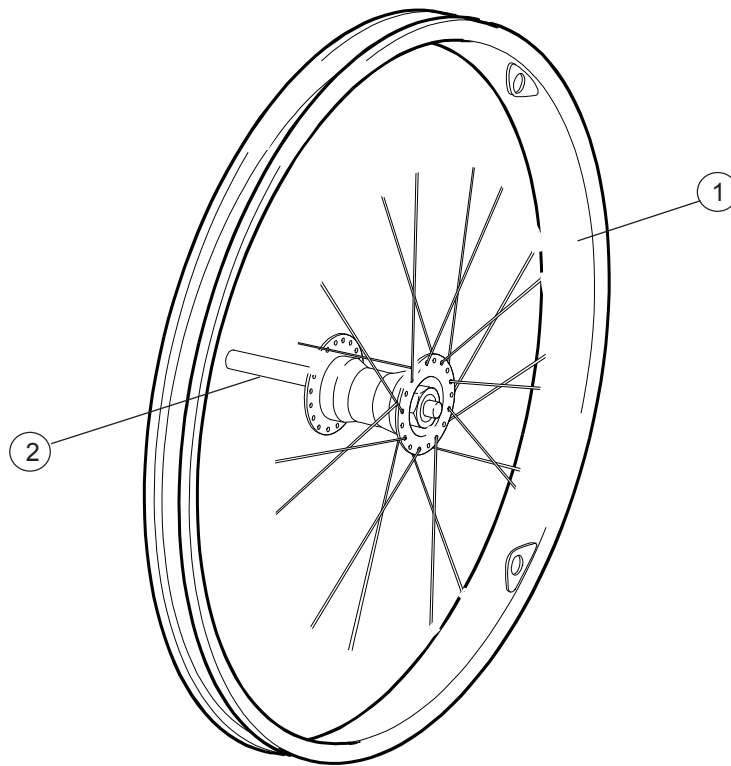
22" Rear wheel

Description	Item No
Rear wheel 22 high pressure handrim aluminium	25679
Rear wheel 22 high pressure handrim cellular rubber	25884
Rear wheel 22 high pressure handrim plastic-coated	25881
Rear wheel 22 high pressure handrim stainless	25678
Rear wheel 22 high pressure without handrim	25681
Rear wheel 22 low pressure handrim aluminium	25698
Rear wheel 22 low pressure handrim cellular rubber	25807
Rear wheel 22 low pressure handrim plastic-coated	25835
Rear wheel 22 low pressure handrim stainless	25089
Rear wheel 22 low pressure without handrim	25085
Rear wheel 22 solid handrim aluminium .	25716
Rear wheel 22 solid handrim cellular rubber	25811
Rear wheel 22 solid handrim plastic-coated	25834
Rear wheel 22 solid handrim stainless	25514
Rear wheel 22 solid without handrim	25487

24" Rear wheel

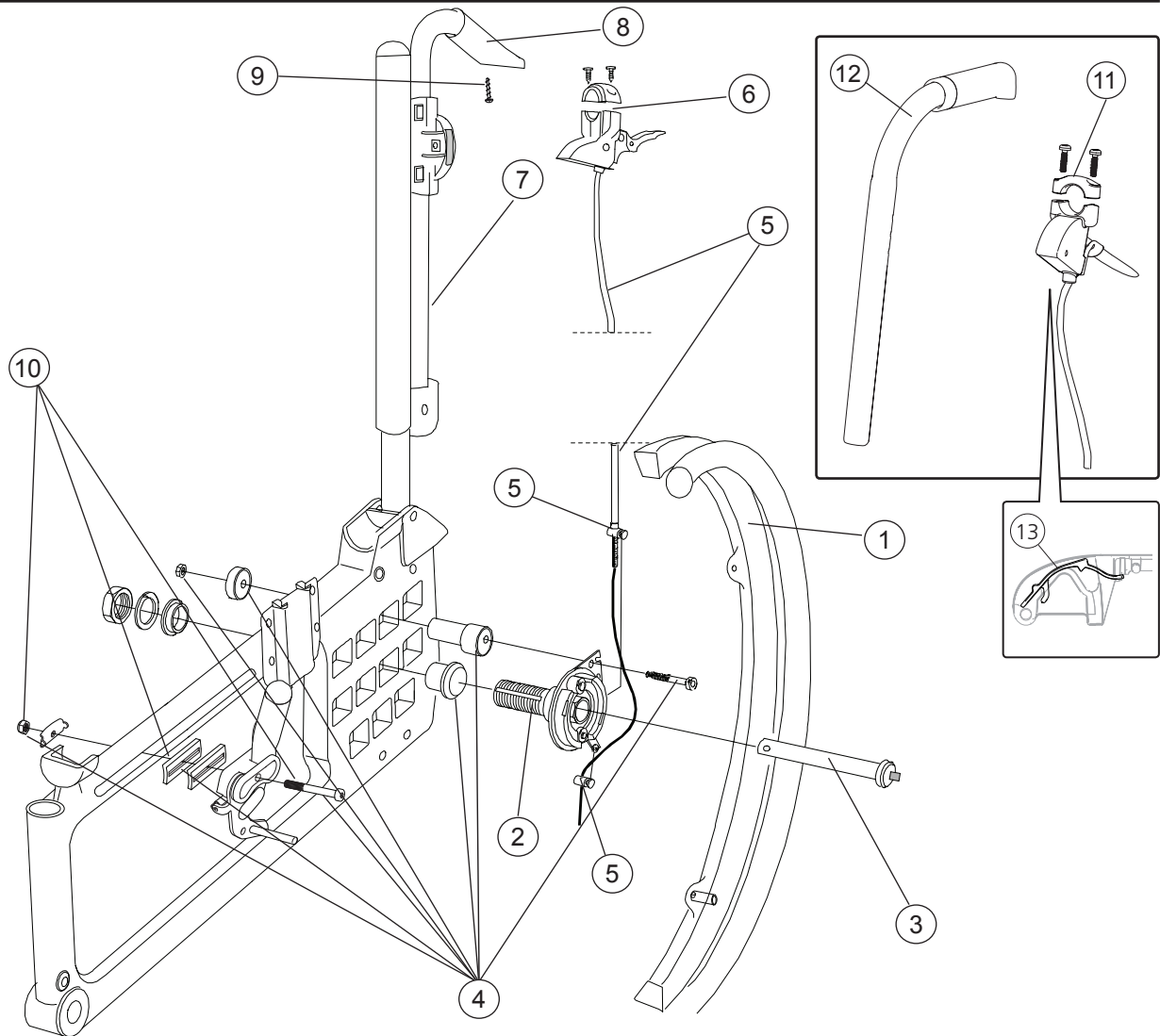
Description	Item No
Rear wheel 24 high pressure handrim aluminium	25182
Rear wheel 24 high pressure handrim cellular rubber	25806
Rear wheel 24 high pressure handrim plastic-coated	25832
Rear wheel 24 high pressure handrim stainless	25097
Rear wheel 24 high pressure without handrim	25023
Rear wheel 24 low pressure handrim aluminium	25437
Rear wheels 24 low pressure handrim cellular rubber	25805
Rear wheel 24 low pressure handrim plastic-coated	25831
Rear wheel 24 low pressure handrim stainless	25091
Rear wheel 24 low pressure without handrim	25022
Rear wheel 24 solid handrim aluminium .	25717
Rear wheel 24 solid handrim cellular rubber	25808
Rear wheel 24 solid handrim plastic-coated	25833
Rear wheel 24 solid handrim stainless	25103
Rear wheel 24 solid without handrim	25106

Rear wheels without tube and tyre



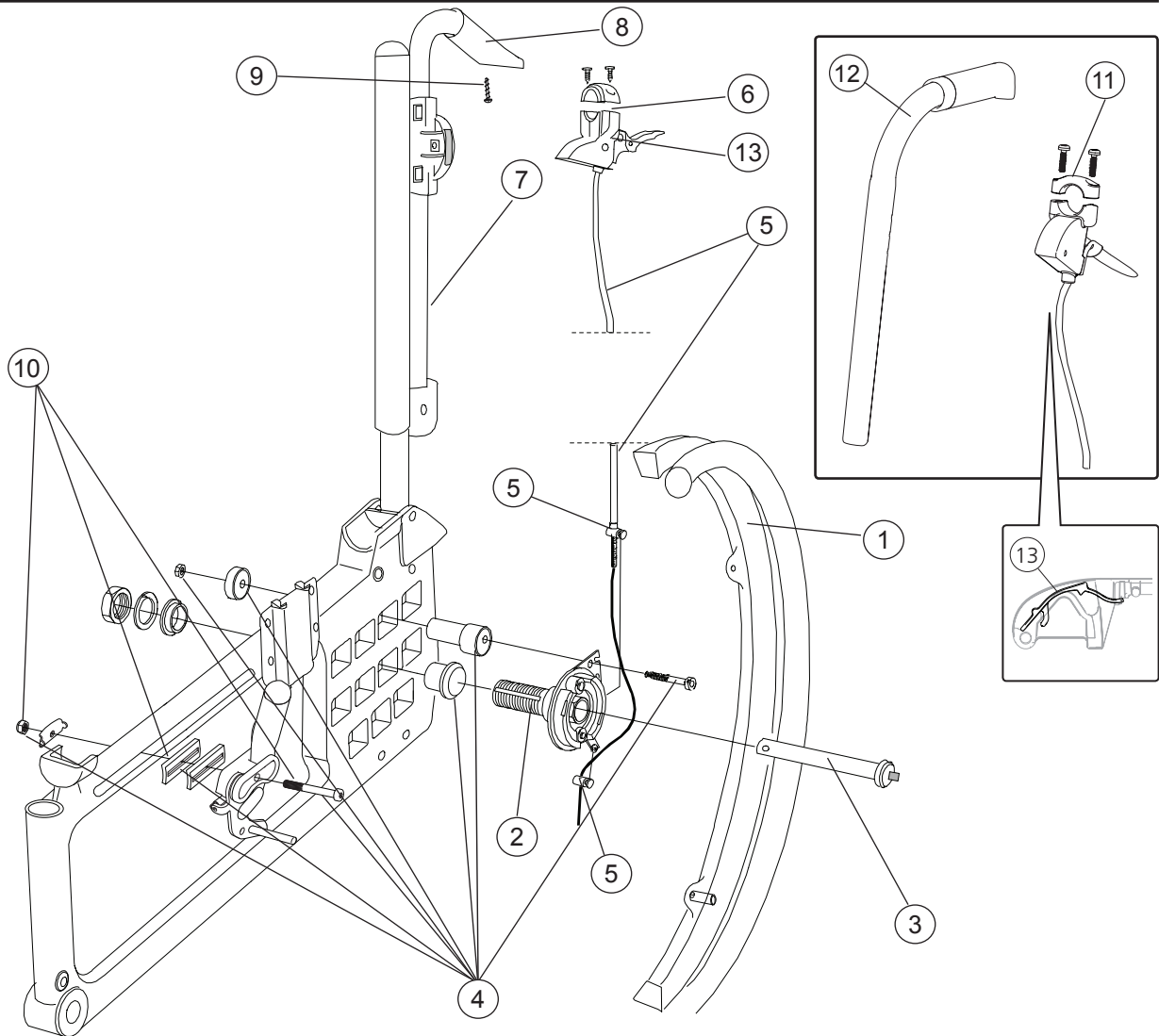
Pos	Description	Item No
1-2	Rear wheel 20 without tyre innertube handrim ..	25200
	Rear wheel 22 without tyre innertube handrim ..	25201
	Rear wheel 24 without tyre innertube handrim ..	25202
2	Axle aluminium hub	20349

Drum brakes



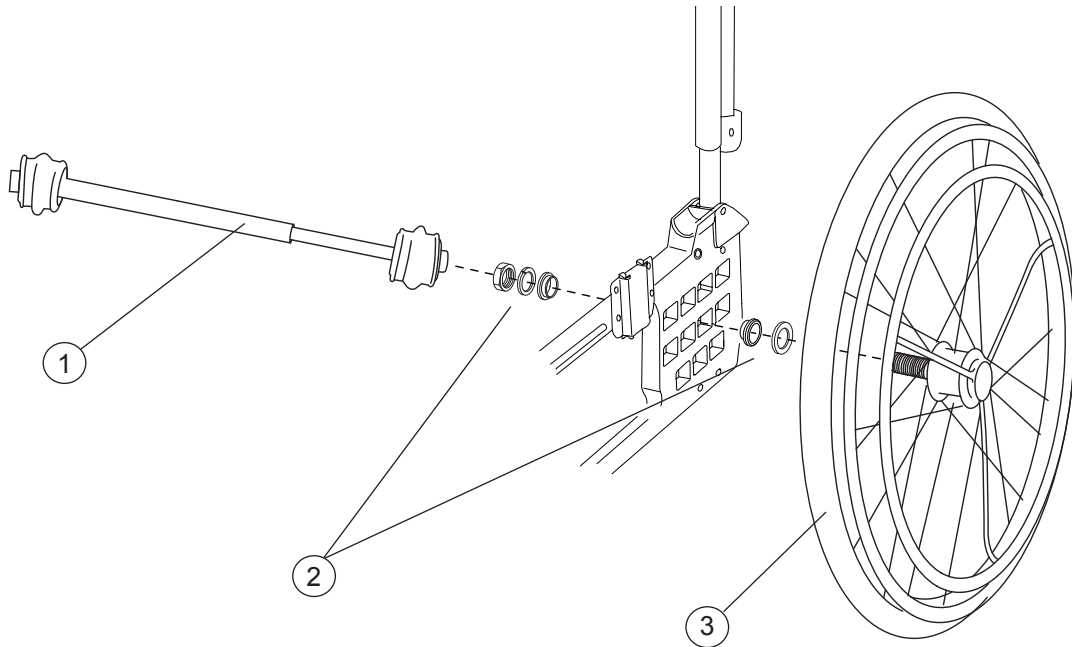
Pos	Description	Item No	Pos	Description	Item No
1	Rear wheel 20 drum brake solid handrim aluminium	81337		Rear wheel 24 drum brake high pressure handrim aluminium	81349
	Rear wheel 22 drum brake high pressure handrim aluminium	81342		Rear wheel 24 drum brake solid handrim aluminium	81346
	Rear wheel 22 drum brake solid handrim aluminium	81339		Rear wheel 24 drum brake solid handrim plastic-coated	81347
	Rear wheel 22 drum brake solid handrim plastic-coated	81340		Rear wheel 24 drum brake solid handrim stainless	81348
	Rear wheel 22 drum brake solid handrim stainless	81341		Rear wheel 24 drum brake high pressure handrim plastic-coated	81350
	Rear wheel 22 drum brake high pressure handrim plastic-coated	81343		Rear wheel 24 drum brake high pressure handrim stainless	81351
	Rear wheel 22 drum brake high pressure handrim stainless	81344			

Drum brakes



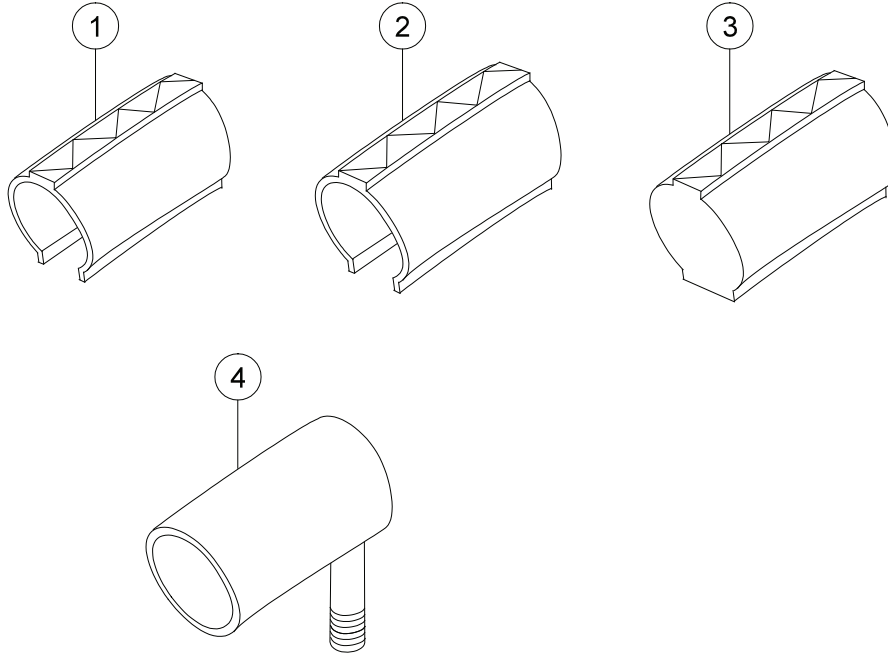
Pos	Description	Item No			
2-6, 8-9	Attachment kit drum brake Cr/Tw .	27337	7	Push handle h adj Cross	27298
2-5,	Attachment kit drum brake		8	Cover for handle drum brake	82004
10-11	Cr/Tw opening gap 100 mm.....	27579	9	Screw B 8 x 6	11041
2	Brake shoe kit drum brake right ...	81308	10	Attachment kit adapter brake	27445
	Brake shoe kit drum brake left.....	81309	11	Brake handle drum brake compl with 2 pcs screw 11504 for opening gap 100 mm.....	27592
3	Qr axle drumbrake	81325	12	Push handle height adj Cross black	27588-91
4	Attachment kit drum brake	81307	13	Wire lock brake handle 100 mm 10 pcs	82854
5	Wire set	81805		Wire lock brake handle 75 mm 10 pcs	82855
6	Brake handle drum brake back 2 ..	26963			
7-9	Push handle h adj Cross drum brake	27428-01			

Single-hand drive



Pos	Description	Item No
1	Telescoping shaft one-arm drive W35/37.5 cm ...	27317
	Telescoping shaft one-arm drive W40/42.5 cm ...	27318
	Telescoping shaft one-arm drive W45/47.5/50 cm	27319
	Telescoping shaft one-arm drive W52,5/55/57,5 cm	27320
2-3	Single-hand drive 20"	26534
	Single-hand drive 22"	26533
	Single-hand drive 24"	26522

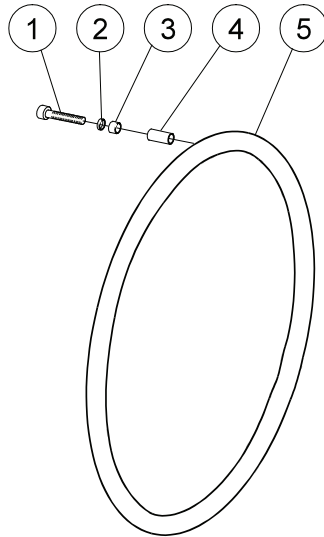
Tyre and innertube



Pos	Description	Item No	Pos	Description	Item No
1	Tyre 22 x 1 high pressure	81125	4	Innertube 20 pneumatic	80132
	Tyre 24 pneumatic high pressure	80558		Innertube 22 pneumatic high pressure	80136
2	Tyre 20 pneumatic	80133		Innertube 22 pneumatic	80327
	Tyre 22 pneumatic	80325		Innertube 24 pneumatic	80138
3	Tyre 24 pneumatic	80137	Innertube 24 pneumatic high pressure	80560	
	Tyre 20 solid	80787			
	Tyre 22 solid grey	81384			
	Tyre 24 solid grey	80768			

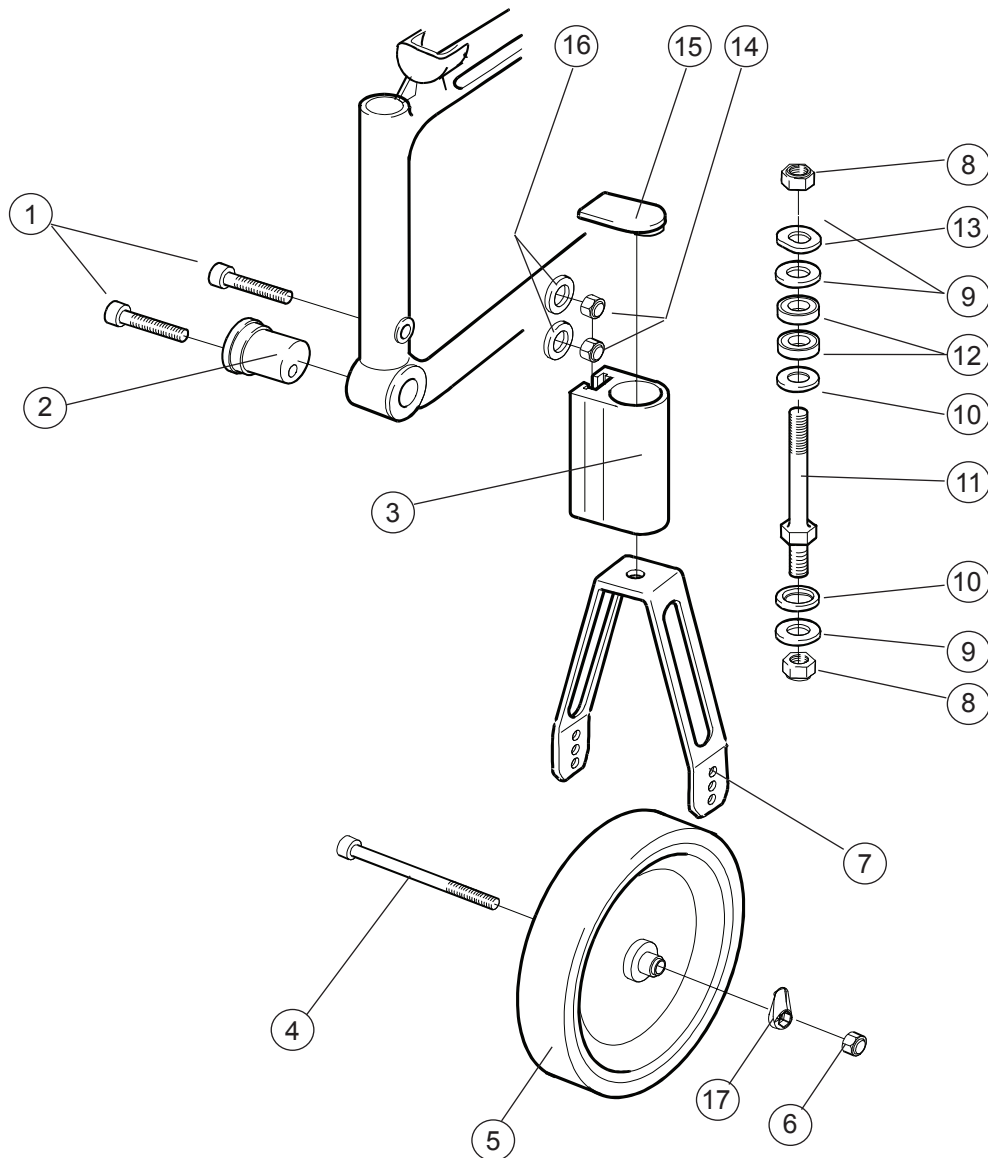
Handrim

**Aluminium/ Plastic coated/
Cellular rubber/ Stainless steel**



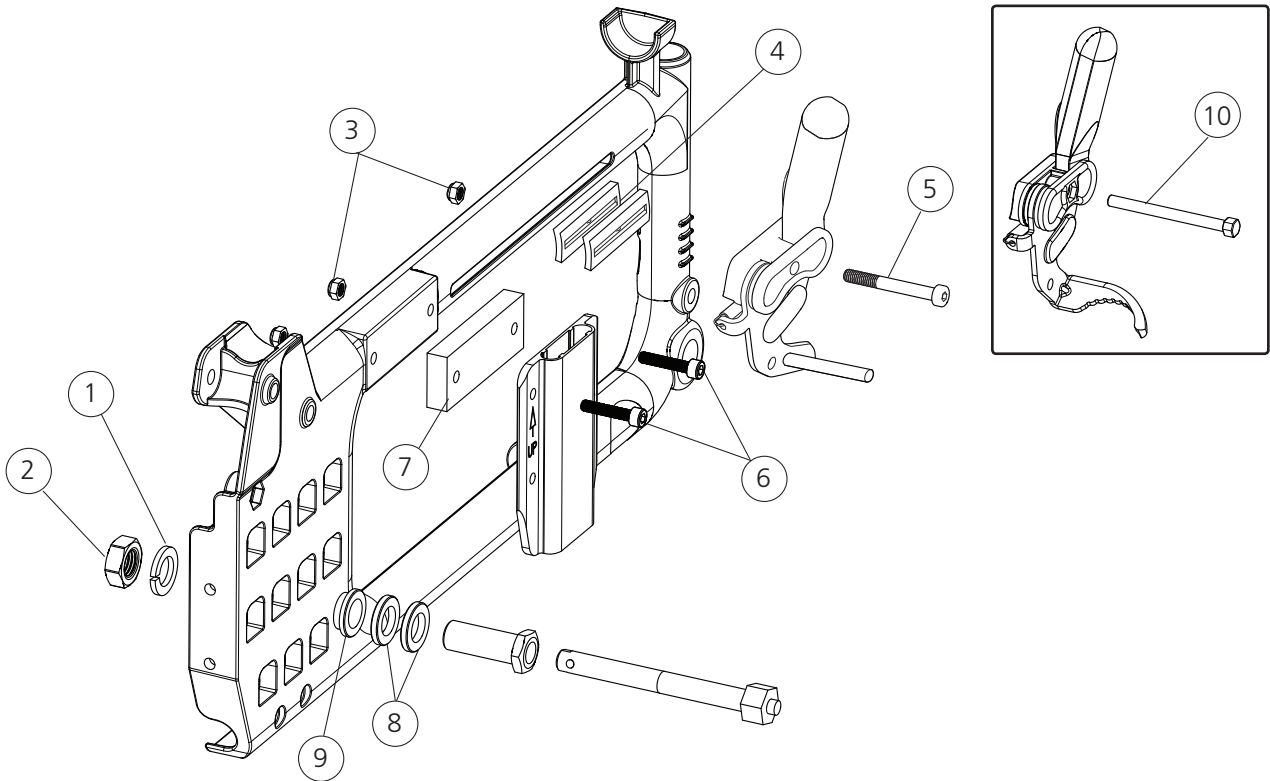
Pos	Description	Item No
1-4	Attachment kit handrim	24514
	Handrim D465 wheel 20 aluminium	81109
	Handrim D465 wheel 20 plastic-coated	81229
	Handrim D465 wheel 20 stainless	21034
	Handrim D500 wheel 22 aluminium	25636
	Handrim D500 wheel 22 stainless	24395
	Handrim D500 wheel 22 plastic-coated	80895
	Handrim D540 wheel 24 aluminium	25181
	Handrim D540 wheel 24 stainless	24023
	Handrim D540 wheel 24 plastic-coated	80894
	Handrim D540 wheel 24 cellular	80800

Castors



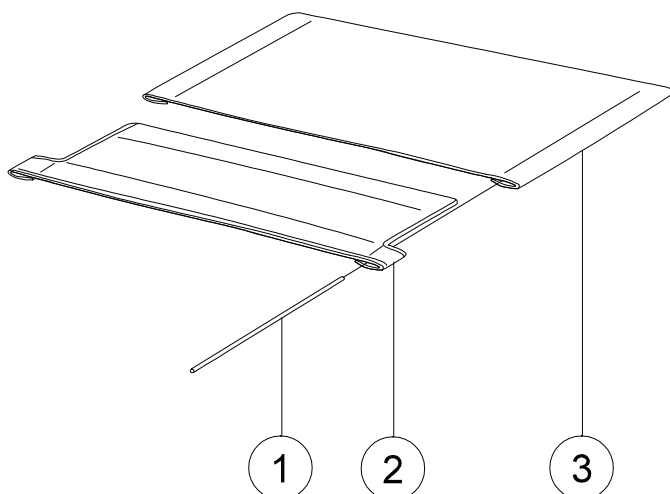
Pos	Description	Item No	Pos	Description	Item No
1	Screw M8x1x40 MC6S 12.9 black	11305	8	Locking nut 1/2 UNF low fzb....	12037
2	Off center sleeve	81994	9	Washer BRB 13.5 black	13031
3	Front fork housing Cross.....	80606	10	Washer BRB 13.5 black	13032
	Front fork housing extended.....	80899	11	Axle front fork steel	20243
4	Screw M 6x 75 MC6S 12.9 black	11338	7-11	Front fork short steel axle	24677
5	Wheel 5			Front fork medium steel axle ...	24678
6	Locking nut M6 DIN 985-6 black	12035	12	Ball bearing 1/2 EE4 2RS	80244
4-6+17	Castor 5 125x30 solid hard	27865	13	Washer 13x24x1.2 DIN 137B fzb	13040
	Castor 6.5 165x30 solid hard	27866	14	Locking nut M8x1 DIN 985 fzb	12051
7	Front fork short without axle black	24554-01	15	Plug attachment front fork	50224
	Front fork medium without axle black.	24555-01		Plug widened attachment.....	50429
			16	Washer BRB 8.4x16x1.6 fzb	13001
			17	Cover axle wheel PA 6	51049
			17	Cover axle wheel PA 6 (50pcs) .	27954

Width expansion kit



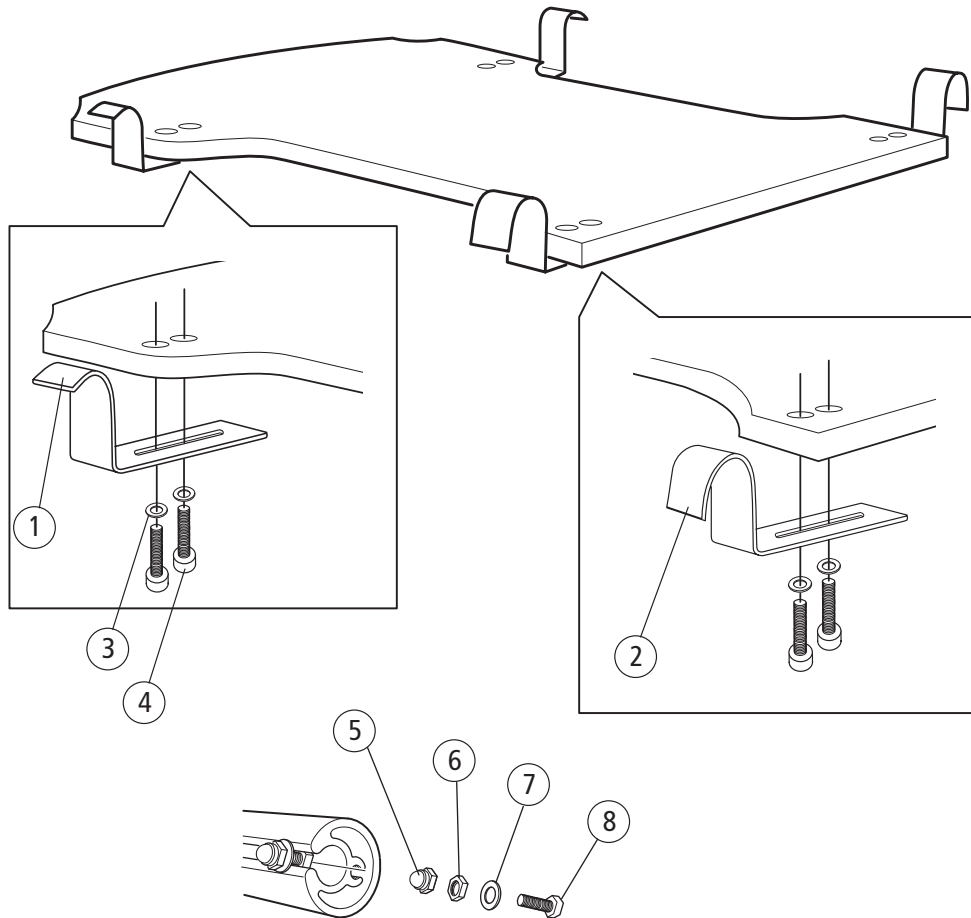
Pos	Description	Item No.
1-10	Width expansion kit 20 mm	26854
1	Locking Washer M16 fzb DIN 128 B	13039
2	Nut 5/8 UL6M UNF fzb	12016
3	Locking nut M 6 black chrome.....	12035
4	Adapter brake	50393
5	Screw M 6x 60 MC6S black chrome	11408
6	Screw M 6x 30 MC6S 8.8 black chrome esloc	11398
7	Spacer expansion kit.....	50956
8	Spacer rear axle	20232
9	Camber washer Cross 0 deg	20331
10	Screw M 6x 65 M6S 8.8 svkr	11606

Seat upholstery



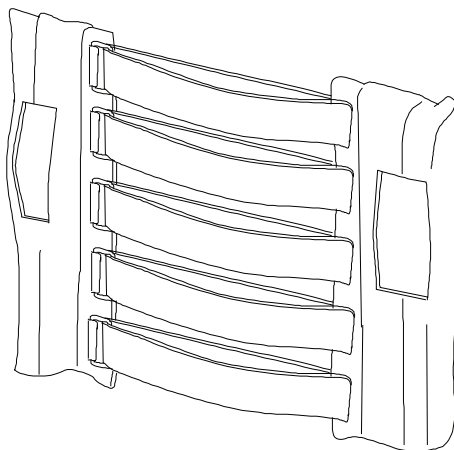
Pos	Description	Item No	Pos	Description	Item No
Cross backrest mod. 2			Cross backrest 3A		
1	Tension rod L381 Cross upholstery seat short	80617	1-3	Upholstery seat Basic short Basic/Cross 3A 35 cm (14") black	62718-60
	Tension rod L446 Cross upholstery seat long	80618		Upholstery seat Basic short Basic/Cross 3A 37,5 cm (15") black	62719-60
2	Upholstery seat Cross front 35 cm	62336		Upholstery seat Basic short Basic/Cross 3A 40 cm (16") black	62720-60
	Upholstery seat Cross front 37.5 cm	62337		Upholstery seat Basic short Basic/Cross 3A 42.5 (17") black	62721-60
	Upholstery seat Cross front 40 cm	62338		Upholstery seat Basic short Basic/Cross 3A 45 cm (18") black	62722-60
	Upholstery seat Cross front 42.5 cm	62339		Upholstery seat Basic short Basic/Cross 3A 47.5 cm (19") black	62978-60
	Upholstery seat Cross front 45 cm	62340		Upholstery seat Basic short Basic/Cross 3A 50 cm (20") black	62979-60
	Upholstery seat Cross front 47.5 cm	62385		Upholstery seat Basic short Basic/Cross 3A 52.5 cm (21") black	62980-60
	Upholstery seat Cross front 50 cm	62341		Upholstery seat Basic short Basic/Cross 3A 55 cm (22") black	62981-60
	Upholstery seat Cross front 52,5 cm	62408		Upholstery seat Basic long Basic/Cross 3A 35 cm (14") black	62728-60
	Upholstery seat Cross front 55 cm	62409		Upholstery seat Basic long Basic/Cross 3A 37,5 cm (15") black	62729-60
1-3	Upholstery seat Cross short 35 cm (14") black	62235-60		Upholstery seat Basic long Basic/Cross 3A 40 cm (16") black	62730-60
	Upholstery seat Cross short 37.5 cm (15") black	62236-60		Upholstery seat Basic long Basic/Cross 3A 42.5 cm (17") black	62731-60
	Upholstery seat Cross short 40 cm (16") black	62237-60		Upholstery seat Basic long Basic/Cross 3A 45 cm (18") black	62732-60
	Upholstery seat Cross short 42.5 cm (17") black	62238-60		Upholstery seat Basic long Basic/Cross 3A 47,5 cm (19") black	62984-60
	Upholstery seat Cross short 45 cm (18") black	62239-60		Upholstery seat Basic long Basic/Cross 3A 50 cm (20") black	62985-60
	Upholstery seat Cross short 47.5 cm (19") black	62372-60		Upholstery seat Basic long Basic/Cross 3A 52,5 cm (21") black	62986-60
	Upholstery seat Cross short 50 cm (20") black	62302-60		Upholstery seat Basic long Basic/Cross 3A 55 cm (22") black	62987-60
	Upholstery seat Cross short 52.5 cm (21") black	62400-60			
	Upholstery seat Cross short 55 cm (22") black	62401-60			
	Upholstery seat Cross long 35 cm (14") black	62240-60			
	Upholstery seat Cross long 37.5 cm (15") black	62241-60			
	Upholstery seat Cross long 40 cm (16") black	62242-60			
	Upholstery seat Cross long 42.5 cm (17") black	62243-60			
	Upholstery seat Cross long 45 cm (18") black	62244-60			
	Upholstery seat Cross long 47.5 cm (19") black	62373-60			
	Upholstery seat Cross long 50 cm (20") black	62303-60			
	Upholstery seat Cross long 52.5 cm (21") black	62404-60			
	Upholstery seat Cross long 55 cm (22") black	62405-60			

Solid seat



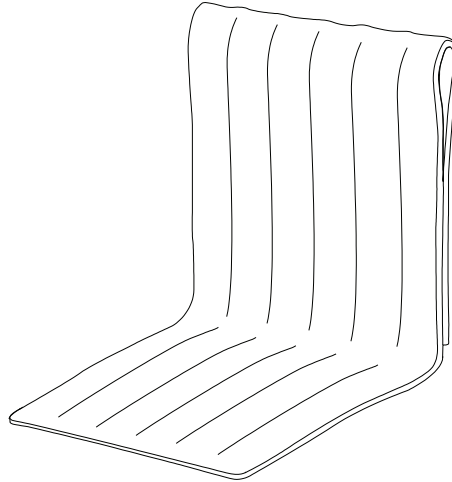
Pos	Description	Item No
1	Seat hook back ECS.....	26414-01
2	Seat hook front ECS	26413-01
3	Washer BRB 5.3 fzb	13017
4	Screw M 5x 18 MC6S 8.8 fzb	11424
5	Domed not M 4 fzb	12068
6	Nut M 4 M6M fzb	12067
7	Washer 4.3x9x0.8 fzb.....	13066
8	Screw M 4x 12 M6S fzb	11593
1-8	Solid seat ECS 35-37.5 cm short	26720
	Solid seat ECS 40-42.5 cm short	26721
	Solid seat ECS 45-47.5 cm short	26722
	Solid seat ECS 50-52.5 cm short	26723
	Solid seat ECS 35-37.5 cm long	26725
	Solid seat ECS 40-42.5 cm long	26726
	Solid seat ECS 45-47.5 cm long	26727
	Solid seat ECS 50-52.5 cm long	26728
	Solid seat ECS 55 cm long	26729

Backrest upholstery



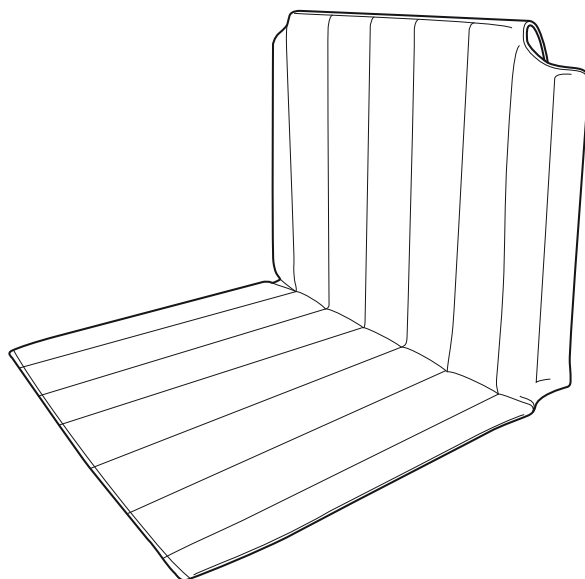
Description	Item No
Cross backrest mod.2	
Upholstery back Cross/Next adj 35/37.5 cm	62342-60
Upholstery back Crodd/Next adj 40/42.5 cm	62343-60
Upholstery back Cross/Next adj 45 cm	62344-60
Upholstery back Cross/Next adj 50 cm	62345-60
Upholstery back Cross/Next adj 52.5/55 cm	62430-60
Upholstery back Cross/Next high 35/37,5 cm	62758-60
Upholstery back Cross/Next high 40/42,5 cm	62466-60
Upholstery back Cross/Next high 45 cm	62467-60
Upholstery back Cross/Next high 47,5/50 cm	62468-60
Upholstery back Cross/Next high 52.5/55 cm	62759-60
Cross backrest 3A	
Upholstery back adj 35-37,5/40 cm, Crossback 3A	62953-60
Upholstery back adj 42,5/50 cm, Crossback 3A	62954-60
Upholstery back adj 52,5/60 cm, Crossback 3A	62955-60
Tension rod L296 Cross back 3A	82461
Cross backrest 3A high	
Upholstery back Crossback 3A high 35-40 cm	63014-60
Upholstery back Crossback 3A high 42,5-50 cm	63015-60
Upholstery back Crossback 3A high 52,5-60 cm	63016-60
Tension rod L355 Crossrygg 3A high	82586

Backrest cover



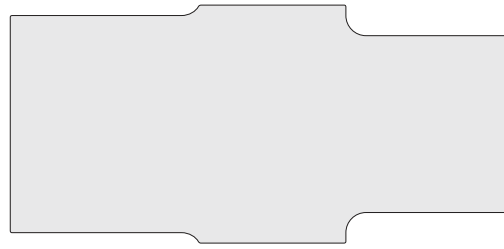
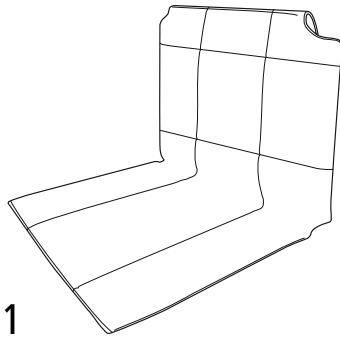
Description	Item No
Cross backrest mod. 2	
Cover back 35 cm (14") dark grey	62135-60
Cover back 37.5 cm (15") dark grey	62387-60
Cover back 40 cm (16") dark grey	62136-60
Cover back 42,5 cm (17") dark grey	62388-60
Cover back 45 cm (18") dark grey	62137-60
Cover back 47.5 cm (19") dark grey	62389-60
Cover back 50 cm (20") dark grey	62305-60
Cover back 52.5 cm (21") dark grey	62432-60
Cover back 55 cm (22") dark grey	62433-60
Cover back high 37,5 cm (15") dark grey.....	62479-60
Cover back high 40 cm (16")dark grey.....	62469-60
Cover back high 42,5 cm (17") dark grey.....	62470-60
Cover back high 45 cm (18")dark grey.....	62471-60
Cover back high 47,5 cm (19")dark grey.....	62472-60
Cover back high 50 cm (20")dark grey.....	62473-60
Cover back high 52.5 cm (21") dark grey.....	62480-60
Cover back high 55 cm (22") dark grey.....	62481-60
Cover back Cr/Ne comf sth/high dark grey 35 cm (14")	62895-60
Cover back Cr/Ne comf sth/high dark grey 37,5 cm (15")	62896-60
Cover back Cr/Ne comf sth/high dark grey 40 cm (16")	62897-60
Cover back Cr/Ne comf sth/high dark grey 42,5 cm (17")	62898-60
Cover back Cr/Ne comf sth/high dark grey 45cm (18")	62899-60
Cover back Cr/Ne comf sth/high dark grey 47.5 cm (19")	62900-60
Cover back Cr/Ne comf sth/high dark grey 50 cm (20")	62901-60
Cover back Cr/Ne Komf std/high 52.5 cm (21") dark grey.....	62902-60
Cover back Cr/Ne Komf std/high 55 cm (22") dark grey.....	62903-60
Cross backrest 3A	
Cover back Cross 35 cm (14") mod.3 dark grey	62941-60
Cover back Cross 37,5 cm (15") mod.3 dark grey	62942-60
Cover back Cross 40 cm (16") mod.3 dark grey	62943-60
Cover back Cross 42,5 cm (17") mod.3 dark grey	62944-60
Cover back Cross 45 cm (18") mod.3 dark grey	62945-60
Cover back Cross 47,5 cm (19") mod.3 dark grey	62946-60
Cover back Cross 50 cm (20") mod.3 dark grey	62947-60
Cover back Cross 52.5 cm (21") mod. 3 dark grey	62948-60
Cover back Cross 55 cm (22") mod. 3 dark grey	62949-60

Backrest cover



Description	Item No
Cross backrest 3A	
Cover back Cross Comfort mod 3 35 cm (14) dark grey	62956-60
Cover back Cross Comfort mod 3 37.5 cm (15) dark grey	62957-60
Cover back Cross Comfort mod 3 40 cm (16) dark grey	62958-60
Cover back Cross Comfort mod 3 42.5 cm (17) dark grey	62959-60
Cover back Cross Comfort mod 3 45 cm (18) dark grey	62960-60
Cover back Cross Comfort mod 3 47.5 cm (19) dark grey	62961-60
Cover back Cross Comfort mod 3 50 cm (20) dark grey	62962-60
Cover back Cross Comfort mod 3 52.5 cm (21) dark grey	62963-60
Cover back Cross Comfort mod 3 55 cm (22) dark grey	62964-60
Cross backrest 3A high back	
Cover back Cross 3A high 35 cm dark grey	63020-60
Cover back Cross 3A high 37,5 cm dark grey	63021-60
Cover back Cross 3A high 40 cm dark grey	63022-60
Cover back Cross 3A high 42,5 cm dark grey	63023-60
Cover back Cross 3A high 45 cm dark grey	63024-60
Cover back Cross 3A high 47,5 cm dark grey	63025-60
Cover back Cross 3A high 50,0 cm dark grey	63026-60
Cover back Cross 3A high 52,5 cm dark grey	63027-60
Cover back Cross 3A high 55 cm dark grey	63028-60
Cross backrest 3A high back comfort	
Cover back Cross 3A comf high 35 cm dark grey	63033-60
Cover back Cross 3A comf high 37,5 cm dark grey	63034-60
Cover back Cross 3A comf high 40 cm dark grey	63035-60
Cover back Cross 3A comf high 42,5 cm dark grey	63036-60
Cover back Cross 3A comf high 45 cm dark grey	63037-60
Cover back Cross 3A comf high 47,5 cm dark grey	63038-60
Cover back Cross 3A comf high 50,0 cm dark grey	63039-60
Cover back Cross 3A comf high 52,5 cm dark grey	63040-60
Cover back Cross 3A comf high 55 cm dark grey	63041-60

Backrest cover



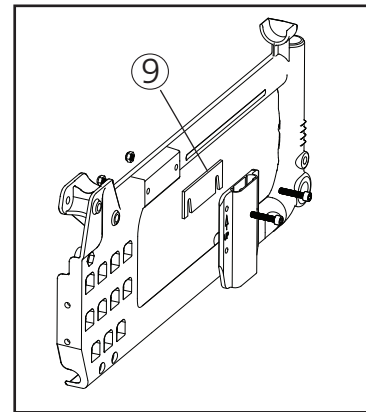
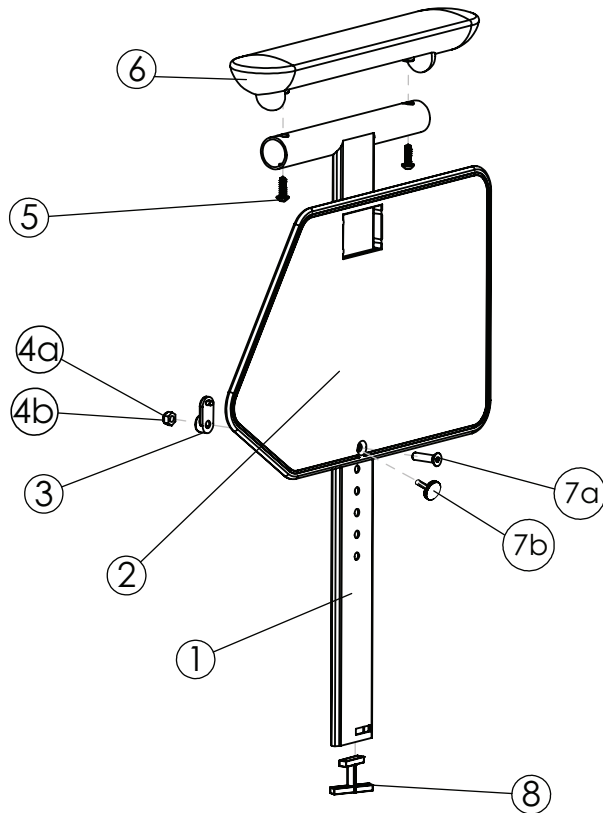
Description

Item No

Cross backrest 3A Tidy

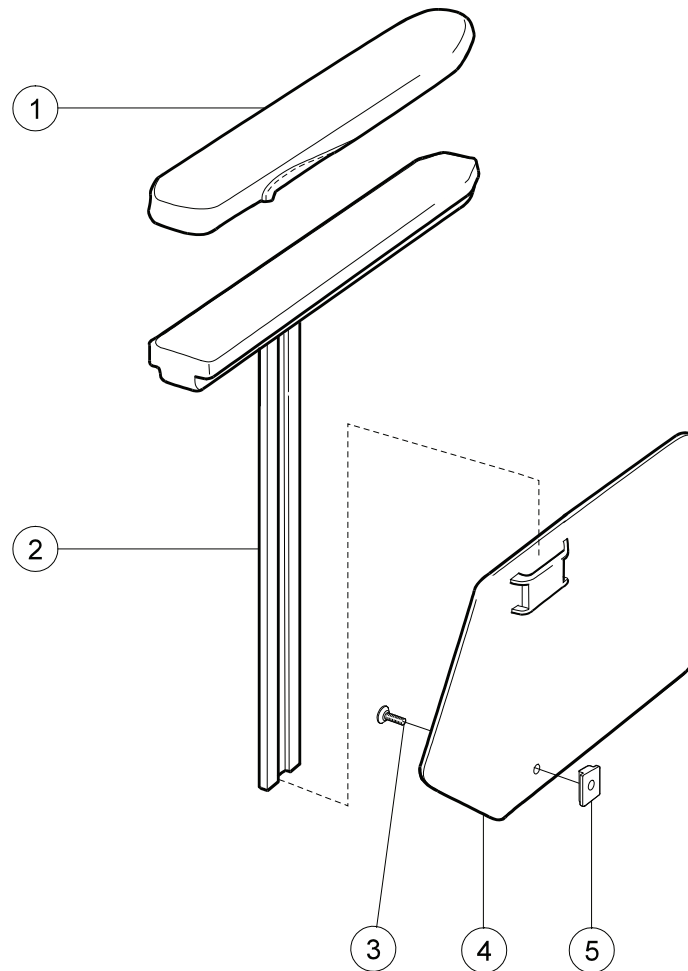
1. Cover back Cross mod 3 Tidy 35 cm (14)	63087-63
1. Cover back Cross mod 3 Tidy 37,5 cm (15)	63088-63
1. Cover back Cross mod 3 Tidy 40 cm (16)	63089-63
1. Cover back Cross mod 3 Tidy 42,5 cm (17)	63090-63
1. Cover back Cross mod 3 Tidy 45 cm (18)	63091-63
1. Cover back Cross mod 3 Tidy 47,5 cm (19)	63092-63
1. Cover back Cross mod 3 Tidy 50 cm (20)	63093-63
1. Cover back Cross mod 3 Tidy 52,5 cm (21)	63094-63
1. Cover back Cross mod 3 Tidy 55 cm (22)	63095-63
2. Foam cover upholstery Tidy mod 3 35 cm (14)	82877
2. Foam cover upholstery Tidy mod 3 37.5 cm (15)	82878
2. Foam cover upholstery Tidy mod 3 40 cm (16)	82879
2. Foam cover upholstery Tidy mod 3 42.5 cm (17)	82880
2. Foam cover upholstery Tidy mod 3 45 cm (18)	82881
2. Foam cover upholstery Tidy mod 3 47.5 cm (19)	82882
2. Foam cover upholstery Tidy mod 3 50 cm (20)	82883
2. Foam cover upholstery Tidy mod 3 52.5 cm (21)	82884
2. Foam cover upholstery Tidy mod 3 55 cm (22)	82885

Armrests



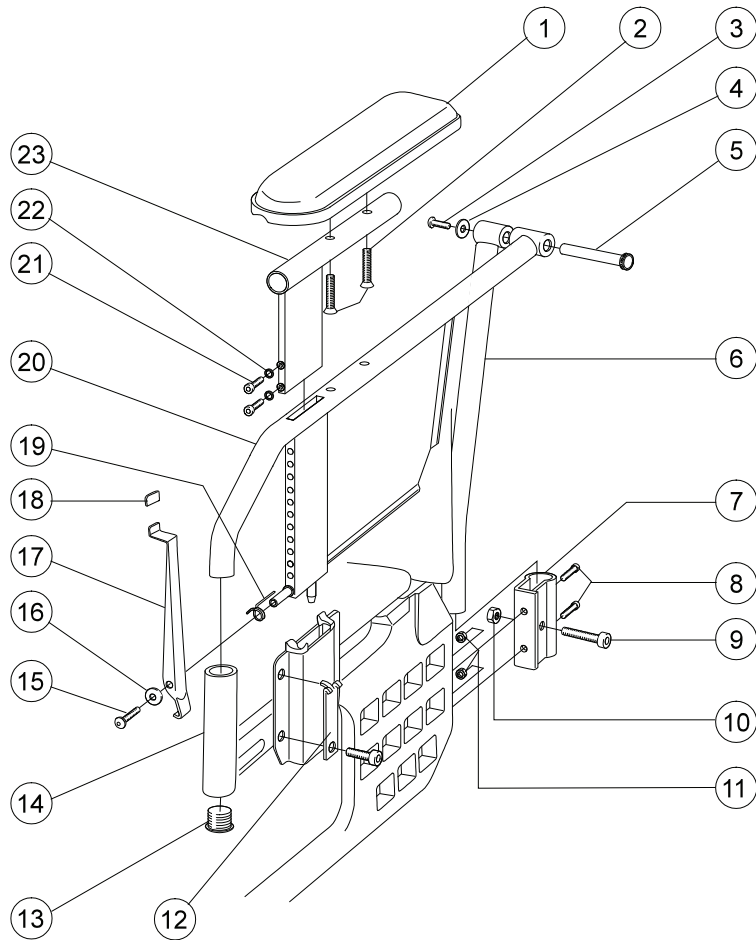
Pos.	Description	Item No
1-7a	Armrest M100/Cross short right	27230-1
	Armrest M100/Cross short left	27230-2
	Armrest M100/Cross long right	27231-1
	Armrest M100/Cross long left	27231-2
1-7b, 9	Armrest Cross short right height adj w finger screw	27349-1
	Armrest Cross short left height adj w finger screw	27349-2
	Armrest Cross long right height adj w finger screw	27350-1
	Armrest Cross long left height adj w finger screw	27350-2
1	Armrest profil M100 short	82296
	Armrest profil M100 long right	82297-1
	Armrest profil M100 long left	82297-2
2	Sideguard Cross/M100 right	50316
	Sideguard Cross/M100 left	50317
3	Nut pocket armrest	50916
4a	Locking nut M 5	12036
4b	Nut M5	12002
5	Screw B 8x19 RXS/A2 Philips	11064
6	Armrest pad M100 short right	82294-1
	Armrest pad M100 short left	82294-2
	Armrest pad M100 long right	82295-1
	Armrest pad M100 long left	82295-2
7a	Screw M 5x 20 MF6S	11526
7b	Finger screw M 5x 18	82402
8	Lock armrest M100	50915
9	Spacer finger screw	27435-01

Armrests



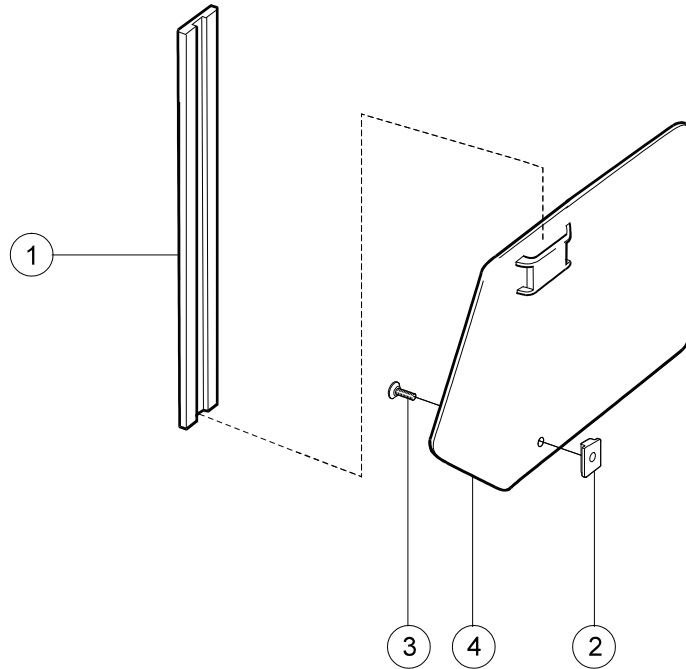
Pos	Description	Item No
1	Cover armrest short dark grey.....	62282-60
	Cover armrest long dark grey.....	62283-60
	Cover armrest Gel short compl	26240-60
	Cover armrest Gel long compl	26241-60
	Cover armrest short Dartex.....	62282-63
	Cover armrest long Dartex.....	62283-63
	Cover armrest Gel short compl	26240-63
	Cover armrest Gel long compl Dartex..	26241-63
	2	Armrest Cross 25 cm unassembled ri ..
Armrest Cross 25 cm unassembled le..		25286-2
Armrest Cross 38 cm unassembled ri...		25287-1
Armrest Cross 38 cm unassembled le..		25287-2
3	Screw M 5x 14 MF6S 10.9.....	11237
	Screw M 5x 14 MF6S 10.9.....	11237
4	Sideguard Cross/M100 Nylon ri	50316
	Sideguard Cross/M100 Nylon vä	50317
5	Stop bar for armrest	80661

Flip-up armrest



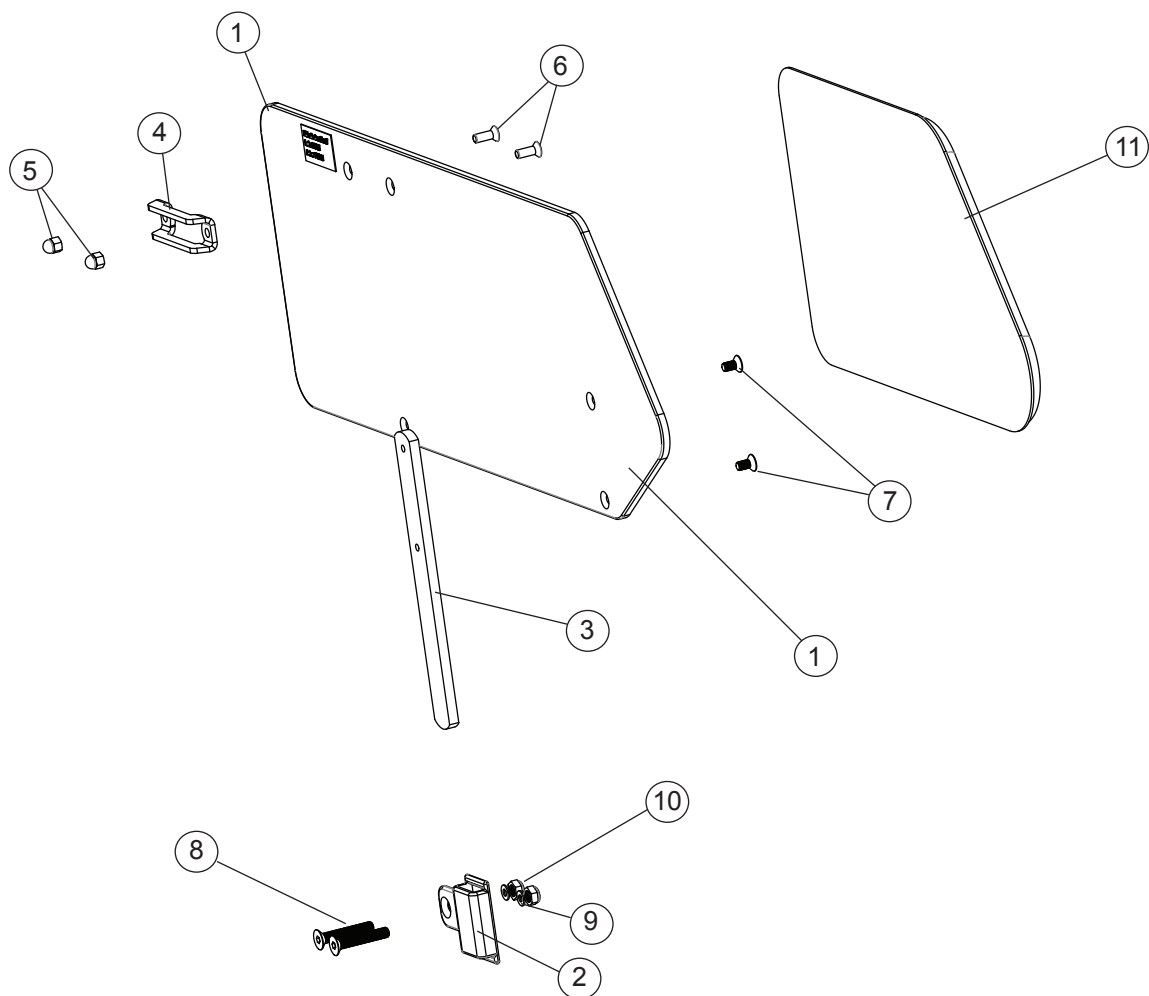
Pos	Description	Item No	Pos	Description	Item No
1	Padded cover armrest flip up....	80826	15	Screw M 5x 12 K6S 10.9 fzb....	11208
2	Screw M 5x 30 MF6S fzb	11395	16	Washer NB5x13x1 fzb	13067
3	Screw M 5x 12 K6S 10.9 fzb ...	11208	17	Security seat armrest foldable ..	25538-01
4	Spring washer 18x6.2x0.5 DIN 2093 dakrolit	13057	18	plastic hood Mocap 1.6x12.7x25.4 red	50404
5	Axle armrest ufb Cross.....	20409	19	Spring locking armrest adjust ri	80824
6	Attachment tube armrest ri	25541-01-1		Spring locking armrest adjust le	80825
	Attachment tube armrest le	25541-01-2	20	Tube armrest flip up ri.....	25540-01-1
7	Attachment armrest flip up....	80821		Tube armrest flip up le	25540-01-2
8	Screw M 6x 25 MC6S 8.8 fzb ..	11033	21	Screw M 4x 12 MC6S fzb	11396
9	Screw M 8x 35 MC6S fzb	11276	22	Washer 4.3x9x0.8 fzb.....	13066
10	Square nut high M8.....	12056	23	Tube armrest flip up height adj	25543-01
11	Locking nut M 6 fzb	12017	1-20	Armrest Cross flip up right.....	25551-1
12	Locking plate armrest fu	25539-01		Armrest Cross flip up left	25551-2
13	Dust cover 19x 1.5 black.....	50010	1-23	Armrest Cross flip up ri	25546-1
14	Cover for handle Cross	80750		Armrest Cross flip up le	25546-2

Sideguard



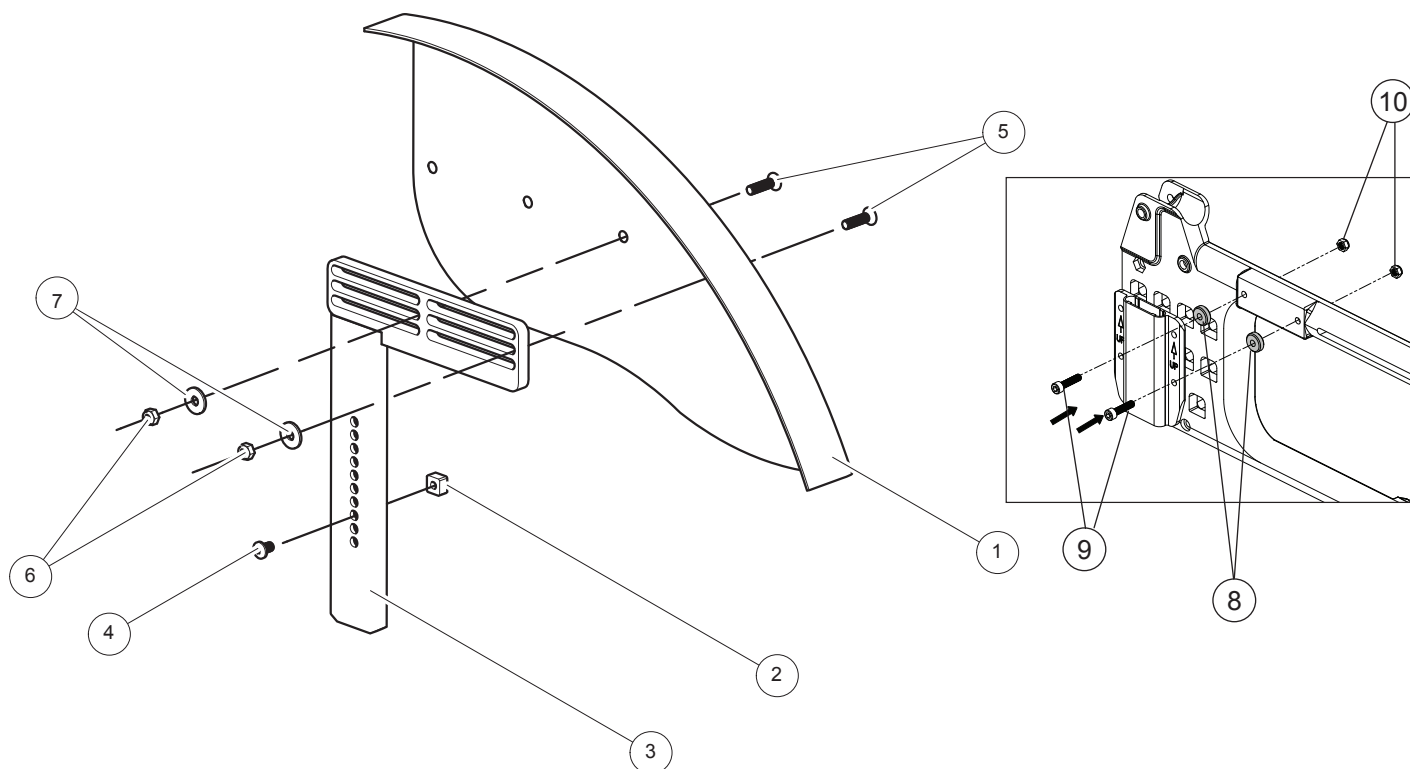
Pos	Description	Item No
1	Sideguard bracket Cross 6005 T6 SS4107-06	80631
2	Stop bar for armrest	80661
3	Screw M 5x 14 MF6S 10.9.....	11237
4	Sideguard Cross/M100 nylon ri	50316
	Sideguard Cross/M100 nylon le	50317
1-4	Sideguard Cross ri black	25189-1
	Sideguard Cross le black	25189-2

Thigh support compl.



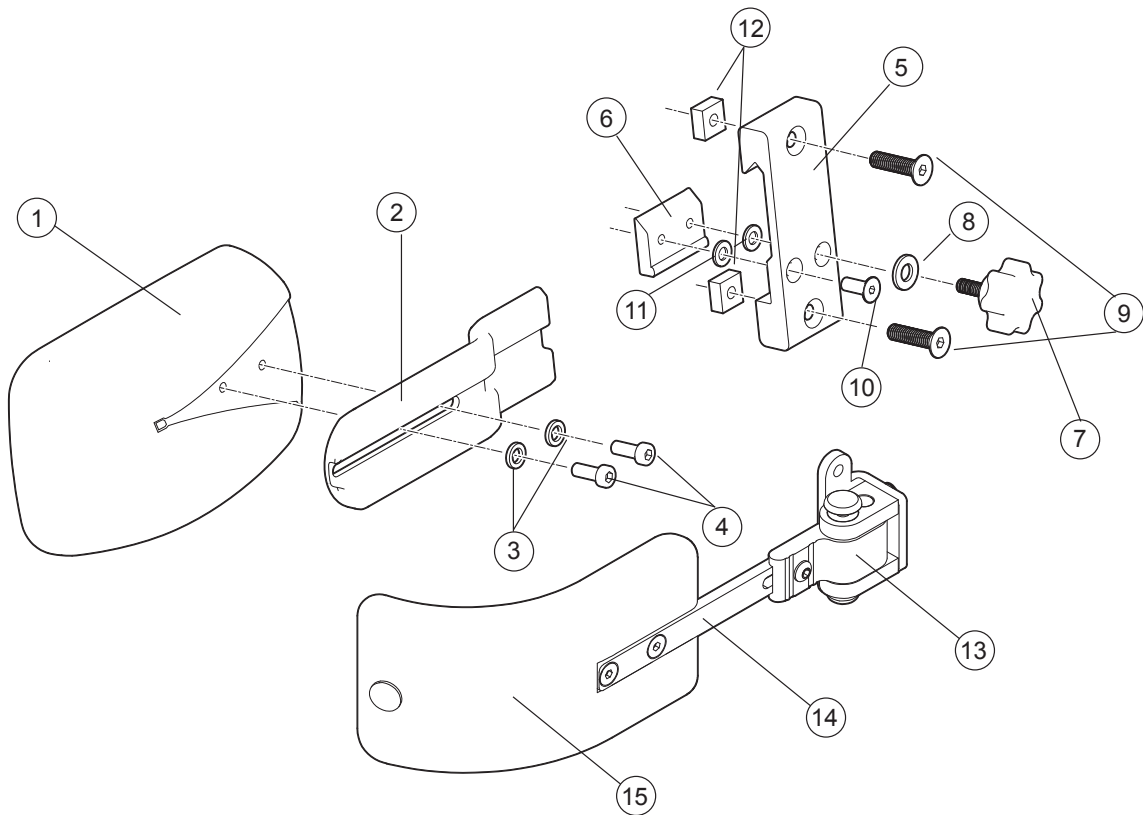
Pos	Description	Item Nr.
1-10	Thigh support short right complete	27391-1
	Thigh support short left complete	27391-2
	Thigh support long right complete.....	27392-1
	Thigh support long left complete.....	27392-2
1	Thigh support short	82523
	Thigh support long	82524
2	Attachment thigh support	82489
3	Attachment plate thigh support	82490
4	Hold plate armrest	82408
5	Nut domed M5 black	12042
6	Screw M5x14mf6s black	11237
7	Screw M5x10 mf6s black	11238
8	Screw M6x35 mf6s	11287
9	Washer 6,4x22x4	13062
10	Locking nut M6 black	12035
11	Soft part thigh support complete right	82488-1
	Soft part thigh support complete left	82488-2

Mudguard



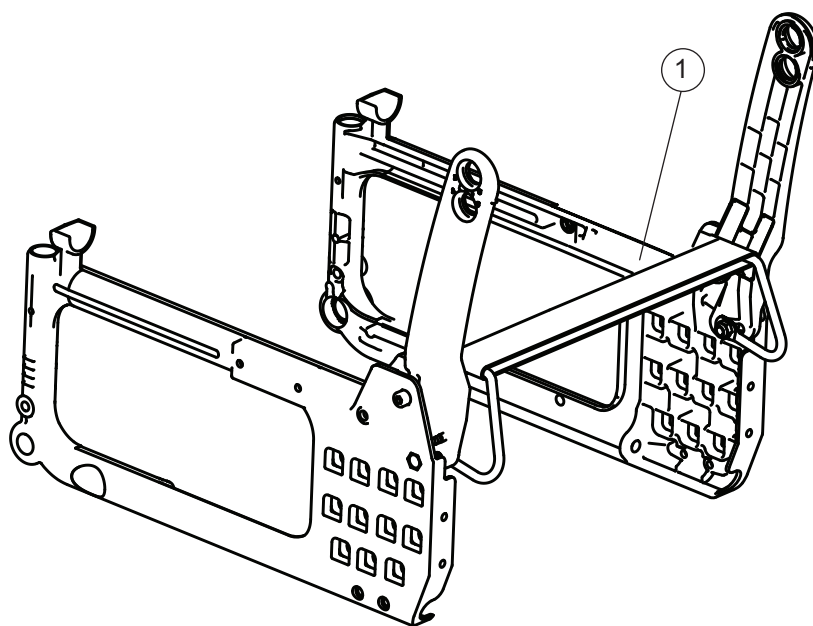
Pos	Benämning	Art nr
1-7	Mudguard black Cross/Elite ri with adj attachment	27397-1
	Mudguard black Cross/Elite le with adj attachment	27397-2
1	Mudguard black ri	27414-1
	Mudguard black le	27414-2
2	Stop bar for armrest	80661
3	Attachment mudguard	27396-01
4	Screw M 5x 8 K6S black chrome	11304
5	Screw M 5x 20 MF6S black chrome	11526
6	Locking nut M 5	12036
7	Washer BRB 5.3x15x1.2 svkr.....	13004
8	Spacer armrest	20231
9	Screw M 6x 25 MC6S 12.9 black chrome lock ..	11317
10	Locking nut M 6 (see Chapter Side frame)	12035

Trunk support Crossback 3A



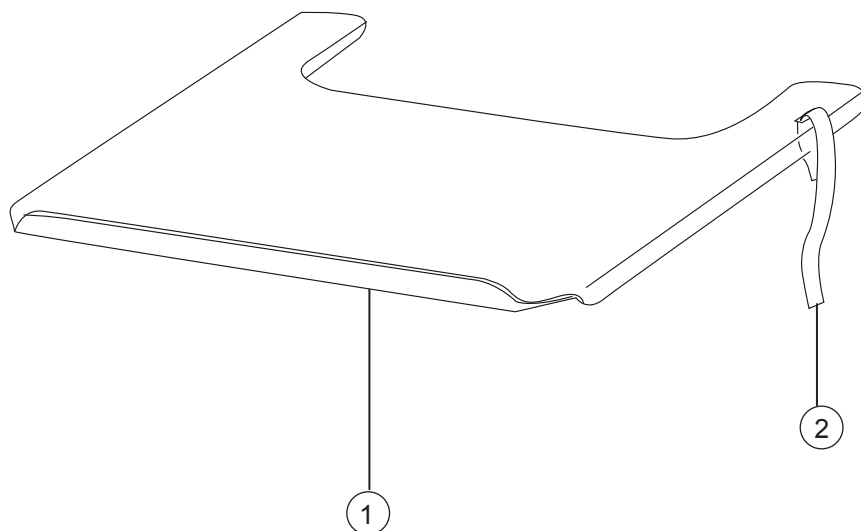
Pos.	Description	Item. No.
1-12	Trunk support Cross back mod 3 incl attachment	27395
1	Trunk supp pad curved small Dartex Cross back mod 3	82491
2	Bracket trunk support	82507
3	Spring washer 6.1x9.9x1.6 DIN 7980	13014
4	Screw M 5x 12 K6S 10.9 zink plated	11208
5	Attachment arm support without screws	80403
6	Locking plate arm support	80292
7	Knob M 5x15 leg support amputee Cross	80807
8	Washer BRB 5.3x15x1.2 black	13004
9	Screw M 6x 25 MF6S black esloc	11430
10	Screw M 5x 14 MF6S 10.9 black	11237
11	Washer 5.3x 10x 0.5m DIN 137A zink plated	13026
12	Nut M 6 FK4M.....	12115
13	Attachment trunk support swing away R compl	27947-1
13	Attachment trunk support swing away L compl	27947-2
14	Bar trunk support swing away L straight 12	27948
15	Cushion trunk support medium bent black H 6.5 L 17	27949
15	Cushion trunk support large bent black H 9 cm L 19.....	27950

Seat extension backrest 3A



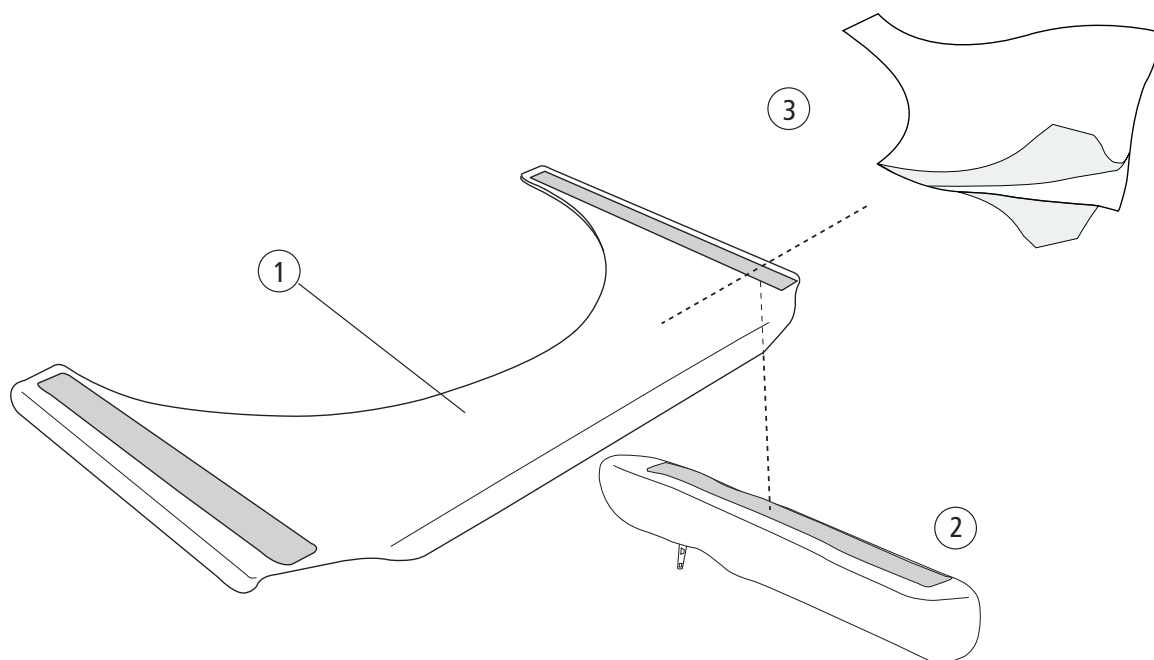
Pos	Description	Item No
1	Upholstery seat extension 35-42.5 cm Cross back 3	62976
	Upholstetry seat extension 45-60 cm Cross back 3	62977

Tray



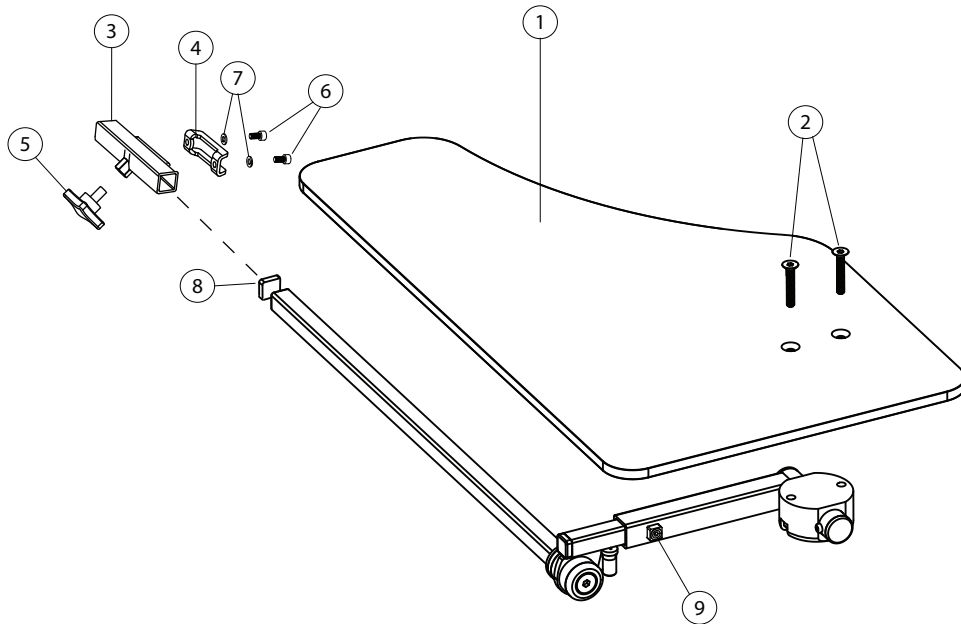
Pos	Description	Item No
1	Strap for tray 27.5-50 cm (11-20").....	62103
1-2	Tray 45 cm compl for wheelchair 35 cm (14")	24417
	Tray 47.5 cm compl for wheelchair 37.5 cm (15")	25187
	Tray 50 cm compl for wheelchair 40 cm (16")	24418
	Tray 52.5 cm compl for wheelchair 42.5 cm (17")	25188
	Tray 55 cm compl for wheelchair 45 cm (18")	24419
	Tray 57.5 cm compl for wheelchair 47.5 cm (19")	25731
	Tray 60 cm compl for wheelchair 50 cm (20")	24601
	Tray 62.5 cm compl for wheelchair 52.5 cm (21")	26020
	Tray 65 cm compl for wheelchair 55 cm (22")	26021

Tray hemi



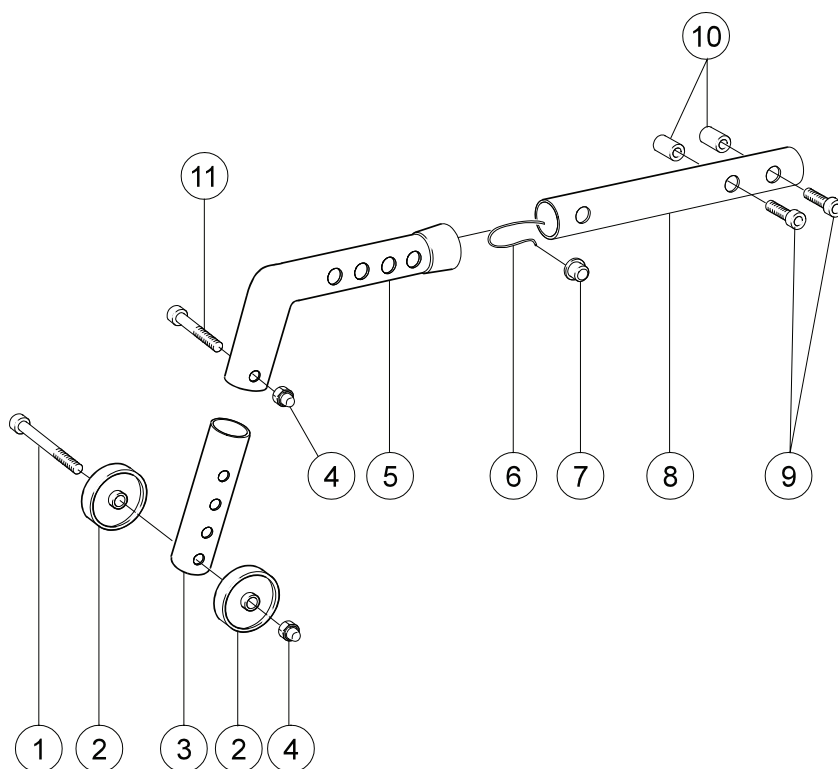
Pos	Description	Item No
2	Cover armrest table hemi short.....	81631
	Cover armrest table hemi long.....	81632
3	Anti glide table hemi 35-40 cm	81633
	Anti glide table hemi 42.5-50 cm.....	81634
1-2	Tray hemi 45 cm, with short armrest cover.....	26556
	Tray hemi 47.5 cm, with short armrest cover.....	26557
	Tray hemi 47.5 cm, with short armrest cover.....	26558
	Tray hemi 50 cm, with short armrest cover.....	26559
	Tray hemi 55 cm, with short armrest cover.....	26560
	Tray hemi 57.5 cm, with short armrest cover	26561
	Tray hemi 60 cm, with short armrest cover.....	26562
	Tray hemi 45 cm, with long armrest cover	26563
	Tray hemi 47.5 cm, with long armrest cover	26564
	Tray hemi 50 cm, with long armrest cover	26565
	Tray hemi 52.5 cm, with long armrest cover	26566
	Tray hemi 55 cm, with long armrest cover	26567
	Tray hemi 57.5 cm, with long armrest cover	26568
	Tray hemi 60 cm, with long armrest cover.....	26569

Tray hemi/Communication



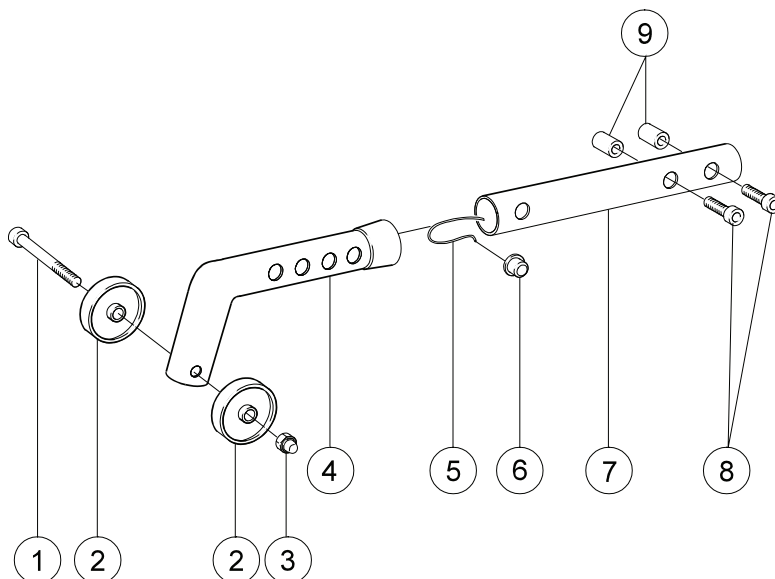
Pos	Benämning	Art nr
1-9	Tray hemi/Communication right.....	27352-1
	Tray hemi/Communication left.....	27352-2
1	Plate table	82420
2	Screw MF6S M6 x 35 fzb	11287
3	Hold arm rest.....	27356
4	Hold plate arm rest.....	82408
5	Locking wheel M8x14mm L.....	400118
6	Screw M 5x 8 MC6S	11414
7	Washer 5,3 x 10 x 0,5 fzb.....	13026
8	IFR 1515-1,55.....	50972
9	Stop screw M6 x 10.....	11614

Anti-tip



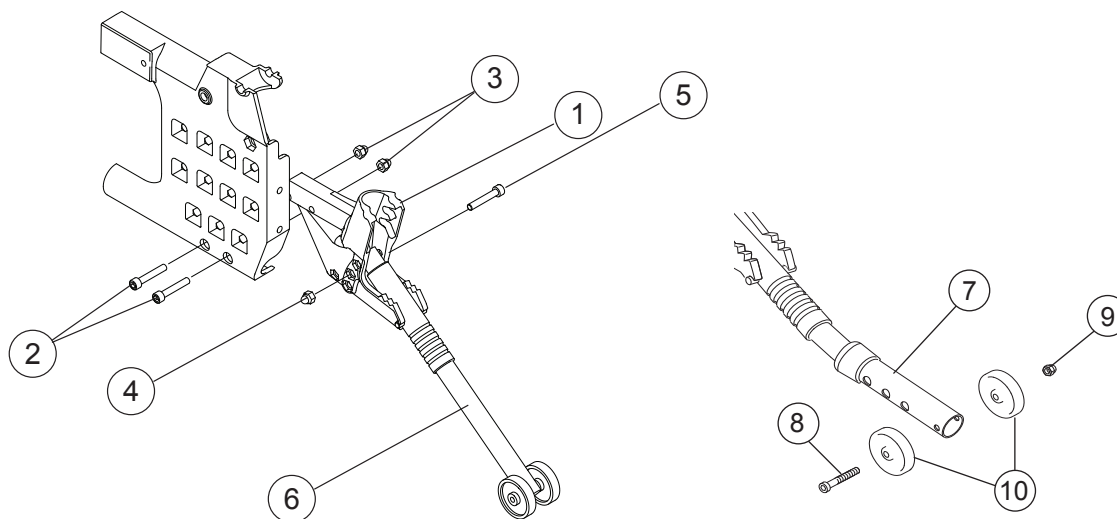
Pos	Description	Item No
1	Screw M 5x 55 MC6S fzb	11397
2	Wheel for anti tip black	80727
3	Extensionpart short	25376
	Extensionpart long	25377
4	Locking nut M 5 domed fzb	12036
5	Anti tip tube long	25374
6	Spring with pin D7.8 mm.....	80438
7	Telescopic knob anti tip.....	25307
8	Attachment tube anti tip	25178
9	Screw M 6x 16 MC6S 12.9.....	11253
10	Threaded cap D10 M6 L18	15008
11	Screw M 5x 30 MC6S fz	11346
1-11	Anti tip Cross.....	25177

Anti-tip



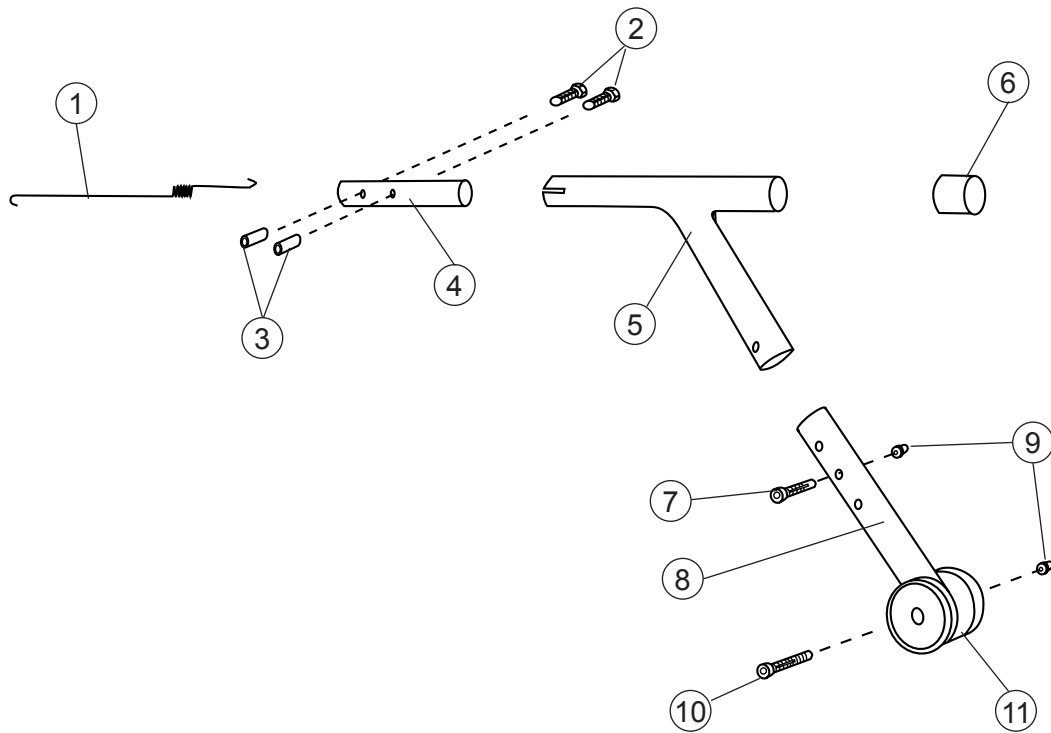
Pos	Description	Item No
1	Screw M 5x 55 MC6S fzb	11397
2	Wheel for anti tip black	80727
3	Locking nut M 5 domed fzb.....	12042
4	Anti tip tube short	25375
5	Spring with pin D7.8 mm.....	80438
6	Telescopic knob anti tip	25307
7	Attachment tube anti tip	25178
8	Screw M 6x 16 MC6S 12.9.....	11253
9	Threaded cap D10 M6 L18	15008
1-9	Anti tip Cross.....	25302

Anti-tip



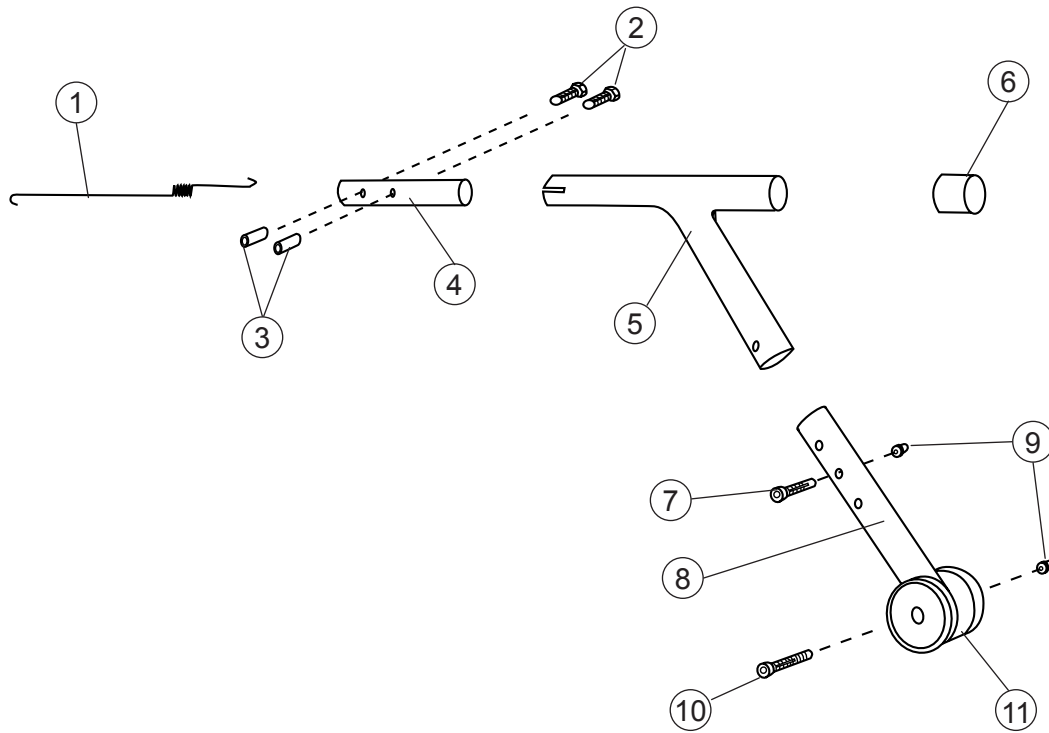
Pos	Description	Item No
1	Attachment anti-tip Cross/Twin right	81247
	Attachment anti-tip Cross/Twin left	81248
2	Screw M 6x 35 MC6S	11533
3	Domed nut M 6 black	12005
4	Locking nut M 6 fzb	12017
5	Screw M 6x 40 MC6S fzb	11229
6	Anti-tip tube	
1-6	Anti tip Cross/Twin 20-22	26270-1
	Anti tip Cross/Twin 20-22	26270-2
1-6	Anti tip Cross/Twin compl ri	26162-1
	Anti tip Cross/Twin compl le	26162-2
1-5, 7-10	Anti tip Cross telescoping ri	26869-1
	Anti tip Cross telescoping le	26869-2
8	Screw M 5x 55 MC6S 12.9 fzb	11397
9	Locking nut M 5 domed black	12042
10	Wheel 40/5.2/12 for anti tip black	80727

Anti-tip



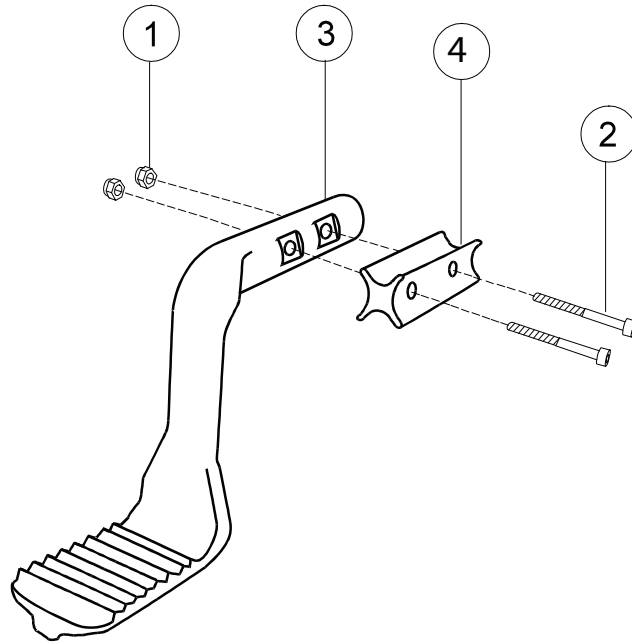
Pos	Description	Item No.
1-11	Anti tip Cross/Twin compl	25633-01
1	Spring t 1.75 mm Twin	80864
2	Screw M 6x 16 MC6S 12.9 black chrome	11253
3	Threaded cap D10 M6 L18	15008
4	Attachment tube	25635-01
5	Anti tip tube Twin	25661-01
6	Plug d22 black	50336
7	Screw M 5x 30 MC6S fz	11346
8	Extensionpart short	25759-01
9	Locking nut M 5 domed fzb	12042
10	Screw M 5x 50 MC6S fzb	11373
11	Wheel for anti tip black	80727

Anti-tip



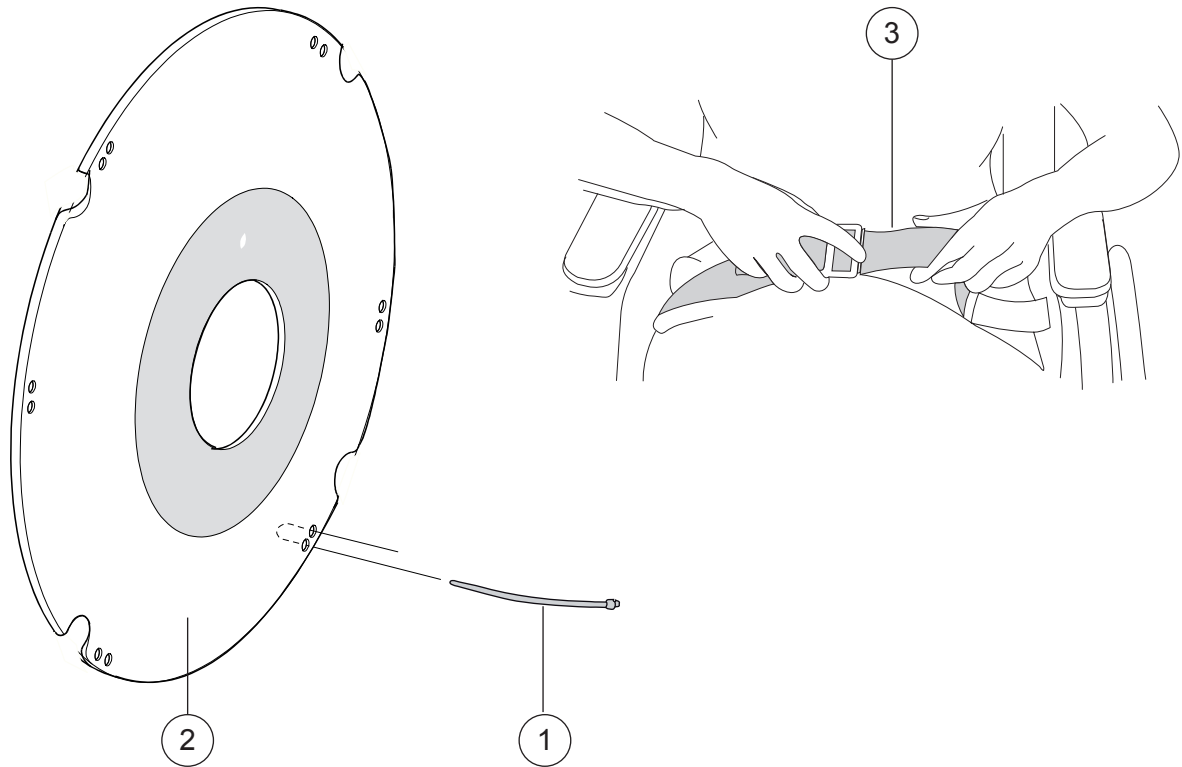
Pos	Description	Item No.
1-11	Anti tip Cross compl mounted in a-row	25761-01
1	Spring t 1.75 mm Twin	80864
2	Screw M 6x 16 MC6S 12.9 black chrome	11253
3	Threaded cap D10 M6 L18	15008
4	Attachment tube	25635-01
5	Anti tip tube Twin	25661-01
6	Plug d22 black	50336
7	Screw M 5x 30 MC6S fz	11346
8	Extensionpart long black	25760-01
9	Locking nut M 5 domed fzb	12042
10	Screw M 5x 50 MC6S fzb	11373
11	Wheel for anti tip black	80727

Tilter



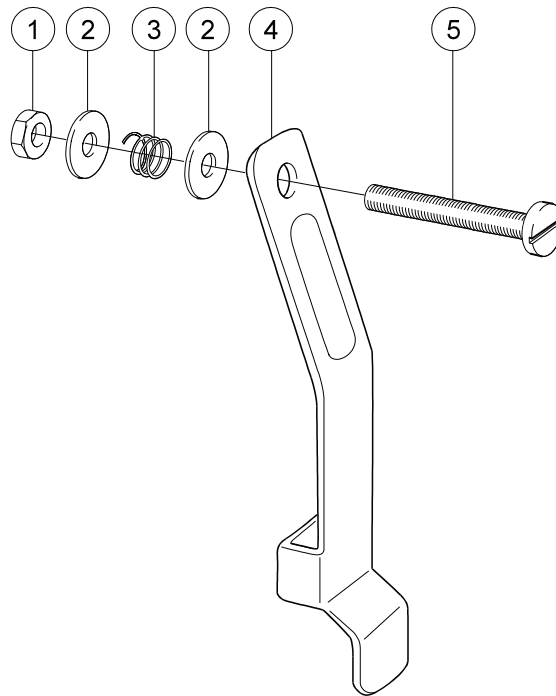
Pos	Description	Item No
1	Locking nut M 6	12035
2	Screw M 6x 25 MC6S 12.9	11317
	Screw M 6x 55 MC6S 12.9 black chrome	11351
3	Tilter Cross	80716
1-3	Tilter Cross	25368
4	Adapter tilter	80745
1-2,4	Adapter tilter compl.....	25395

Spoke guard/ Positioning belt



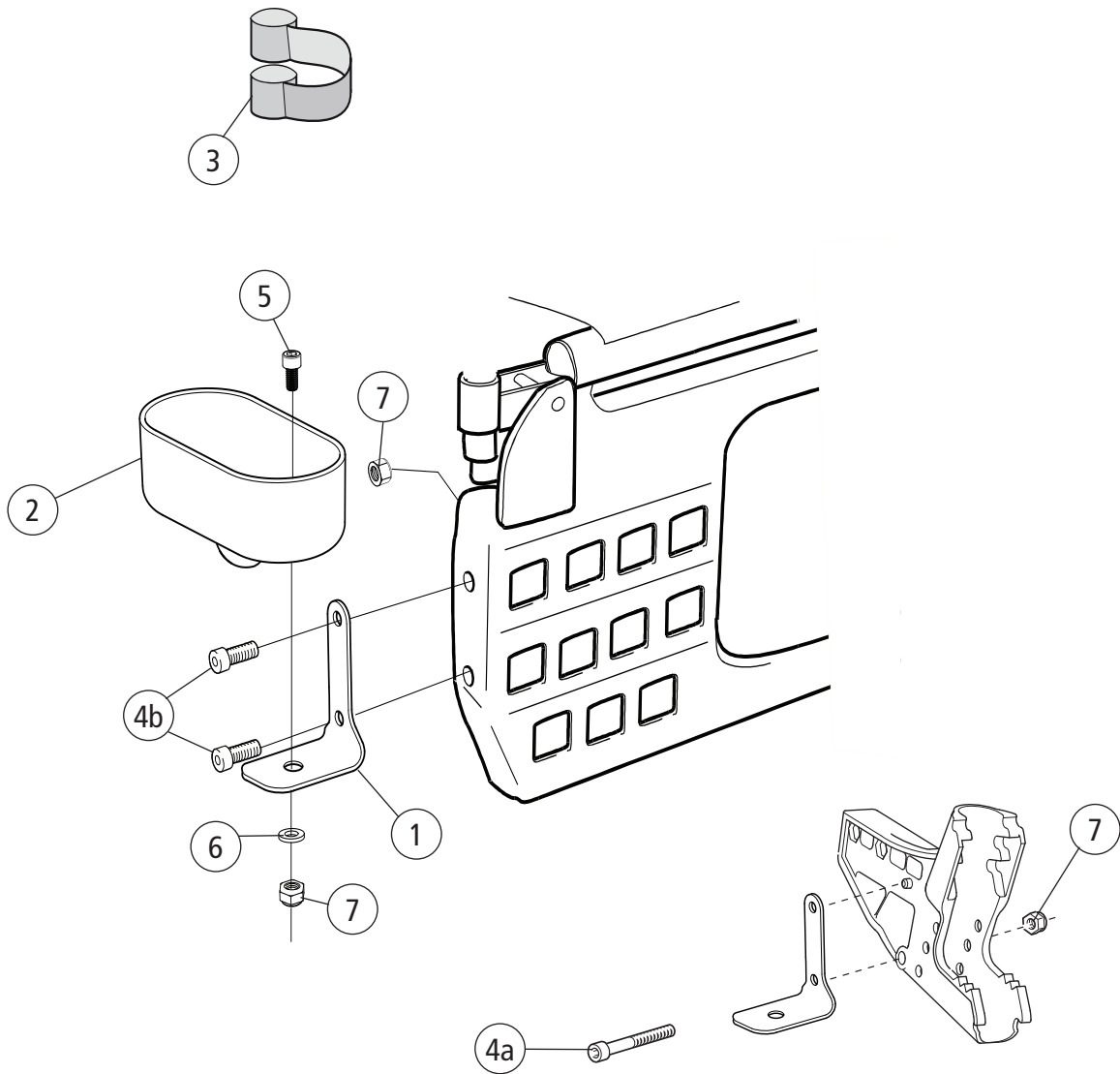
Pos	Description	Item No
1	Attachment kit spokeguard	26276
1-2	Spoke guard 20" with logo grey.....	25502-28
	Spoke guard 20" with logo yellow.....	25502-29
	Spoke guard 22" with logo grey.....	25503-28
	Spoke guard 22" with logo yellow.....	25503-29
	Spoke guard 24" with logo grey.....	25504-28
	Spoke guard 24" with logo yellow.....	25504-29
3	Positioning belt Cross/Twin compl	25668

Quad quickrelease adapter



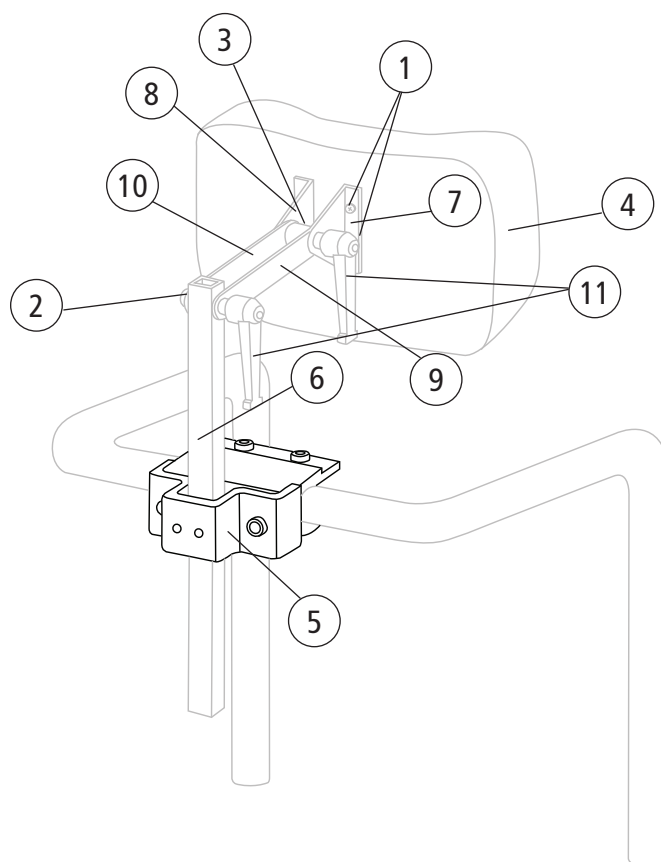
Pos	Description	Item No
1	Locking nut M 5 DIN 985-6 fzb.....	12003
2	Washer 6.4x 14x 1.55 alu	13010
3	Spring 1.5 inv 6 L15 fzb	80019
4	Tongue tetra knob black	24040-01
5	Screw M 5x 35 fzb	11001
1-5	Quad quick release adapt black	24051-01

Cane holder



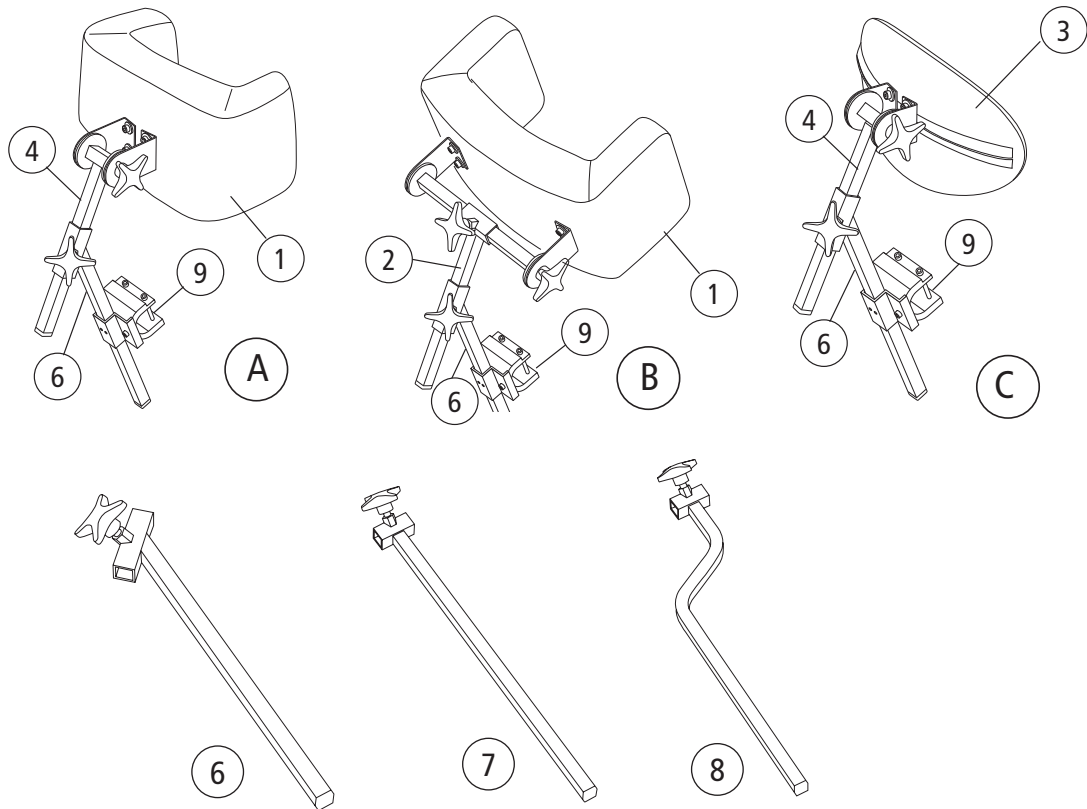
Pos	Description	Item No
1-7	Cane holder universal compl.....	27327
1	Bracket cane holder.....	82390
2	Cane holder M100	50866
3	Elastic ribbon Cross black.....	80621
4a	Screw M 6x 40 MC6S fzb	11229
4b	Screw M 6x 20 MC6S 8.8.....	11392
5	Screw M6 x 12 MC6S 8,8 fzb	11577
6	Washer 6.4x14x1.5 DIN 134 black chrome.....	13058
7	Locking nut M 6 fzb	12017

Headrest



Pos	Description	Item No.
1-11	Headrest mod 1 Dartex 26x14 cm incl tube with two joints excl attachment	24462-63
	Headrest mod 1 dark grey 26x14 cm incl tube with two joints excl attachment	24462-60
1	Screw M 5x 16 MRX black chrome	112413
2	Washer M10 IZ DIN 6798/A2	13019
3	Spacer D20 d8.5 L16 black	20197
4	Cushion headrest Dartex	24470-63
	Cushion headrest Cross backrest 2 dark grey	24470-60
5	Headrest bracket Cross back 2 compl	25795
6	Bracket headrest Cross	24472
7	Bracket backrest Cross	24473
8	Bracket backrest Cross	24474
9	Attachment loop headrest	24475
10	Attachment loop headrest	24476
11	Handle m 8 x 30 65 mm black	80123

Headrest



Pos	Description	Item No.	
A	1 Headrest mod 2 w side support with height adj tube 45 degr Dartex	405766	
	Headrest mod 2 w side support pad only Dartex	405753	
	4 Depth adjust tube compl f head rest excl height adj tube	406262	
	6 Height adj tube 45 degrees for headrest	406255	
9	Headrest bracket Cross back 2 compl	25795	
	B	1 Headrest mod 2 w side support with height adj tube 45 degr Dartex sidewpos	405767
		Headrest mod 2 w side support pad only Dartex	405753
		2 Side adj bracket compl/ f headrest	400261
6	Height adj tube 45 degrees for headrest	406255	
9	Headrest bracket Cross back 2 compl	25795	
C	3 Headrest mod 3 curved with height adj tube 45 degr Dartex	405761	
	Headrest mod 3 curved pad only Dartex	405751	
	4 Depth adjust tube compl f head rest excl height adj tube	406262	
	6 Height adj tube 45 degrees for headrest	406255	
	9 Headrest bracket Cross back 2 compl	25795	
7	Height adj tube 90 degrees for headrest	400260	
8	Height adj tube curved f head rest	400262	