

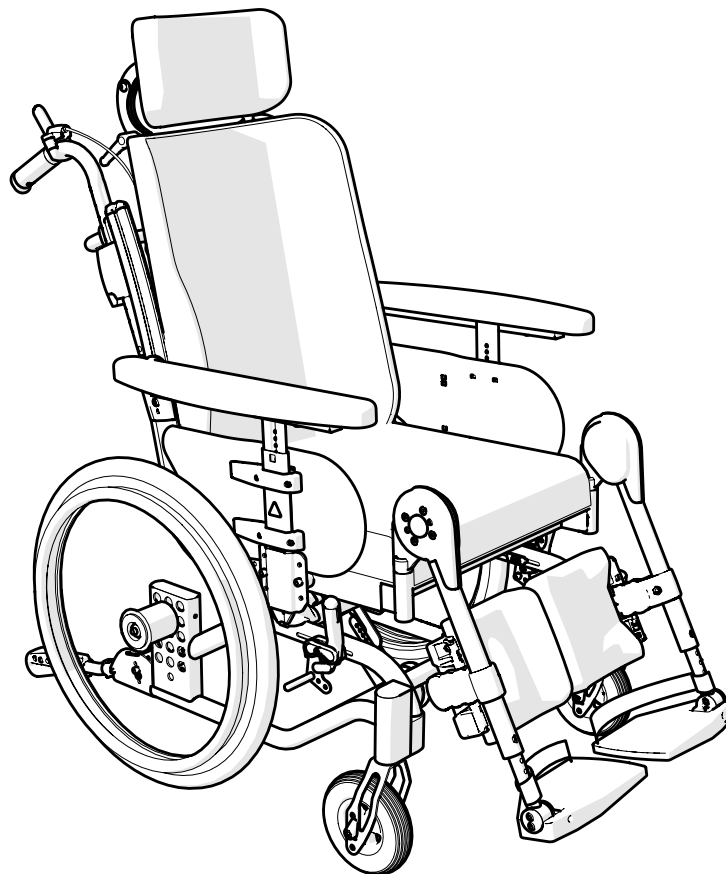
Etac Prio 3A

Spareparts list english



1a17831.7 2023-12-19

Applies to Etac Prio with serial no beginning with 38D



Index

Index	Page
Frame	3
Seat frame	4
Gas pistons, comfort lock	5
Electric recline function	6-7
Back support frame	8-9
Push handles	10
Bow handle	11
Bow handle angle adjustable	12
Leg support	13-14
Amputee leg support	15
Foot support	16-17
Foot support one piece	18
Footbox	19
User brake	20-21
Rear wheel	22-24
Attendant brake	25
Tyre and innertube	26
Handrim	27
Castor	28
Widening kit	29
Solid seat	30
Arm support	31-32
Arm support Hemi	33
Trunk support	34-37
Leg Abduction	38
Tray	39
Attachment harness	40
IV stand	41
Basket	42
Positioning belt	43
Anti tip	44
Spoke guard	45
Head support	46
Seat cushion	47-48
Seat cushion - Cover	49
Back support cushion	50
Back support cover	51
Extension Back support upholstery	52
Back support upholstery	53
Back angle control	54

Explanation for list of points

- Applies to model

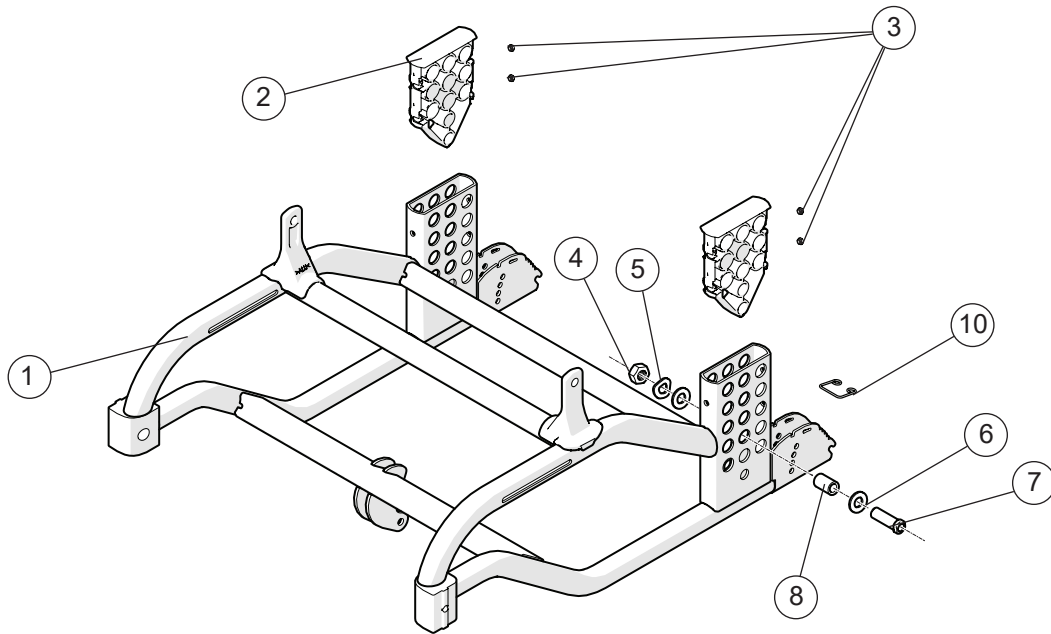
Prio equipped with 16" rear wheels	●
Prio equipped with attendant brakes	●
Prio equipped with handrim rear wheels	●

Prio

Prio AB

Prio 16"

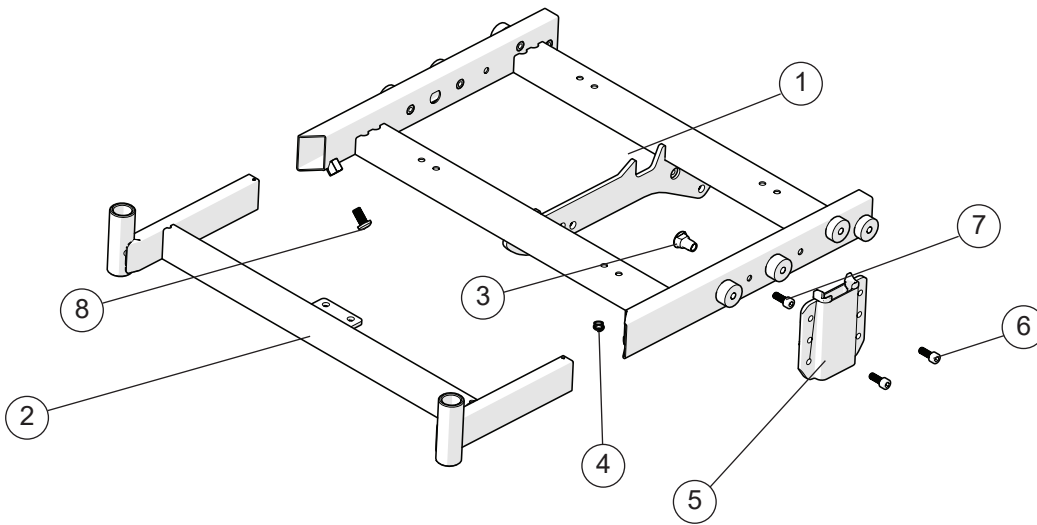
Frame



Pos.	Description	Item no.	Prio	Prio AB	Prio 16"
1	Frame Prio		●	●	●
2	Cover rear wheel attachm Prio		●	●	●
3	Square nut high M6		●	●	●
4	Nut M16x 1 NV 24 B8	12052	●	●	
	Nut M12 Low DIN 439B	12076			●
5	Locking washer AZ 5/8	13039	●	●	
6	BRB 17x30x3 Washer	13117	●	●	
7	Axle sleeve D12	20537	●	●	
8	Adapter sleeve 16" Prio (2 pcs and assembly instruction)	28414			●
9	Touch up paint	80517-01	●	●	●
10	Spring anti-tip	83142	●	●	●

Prio
Prio AB
Prio 16"

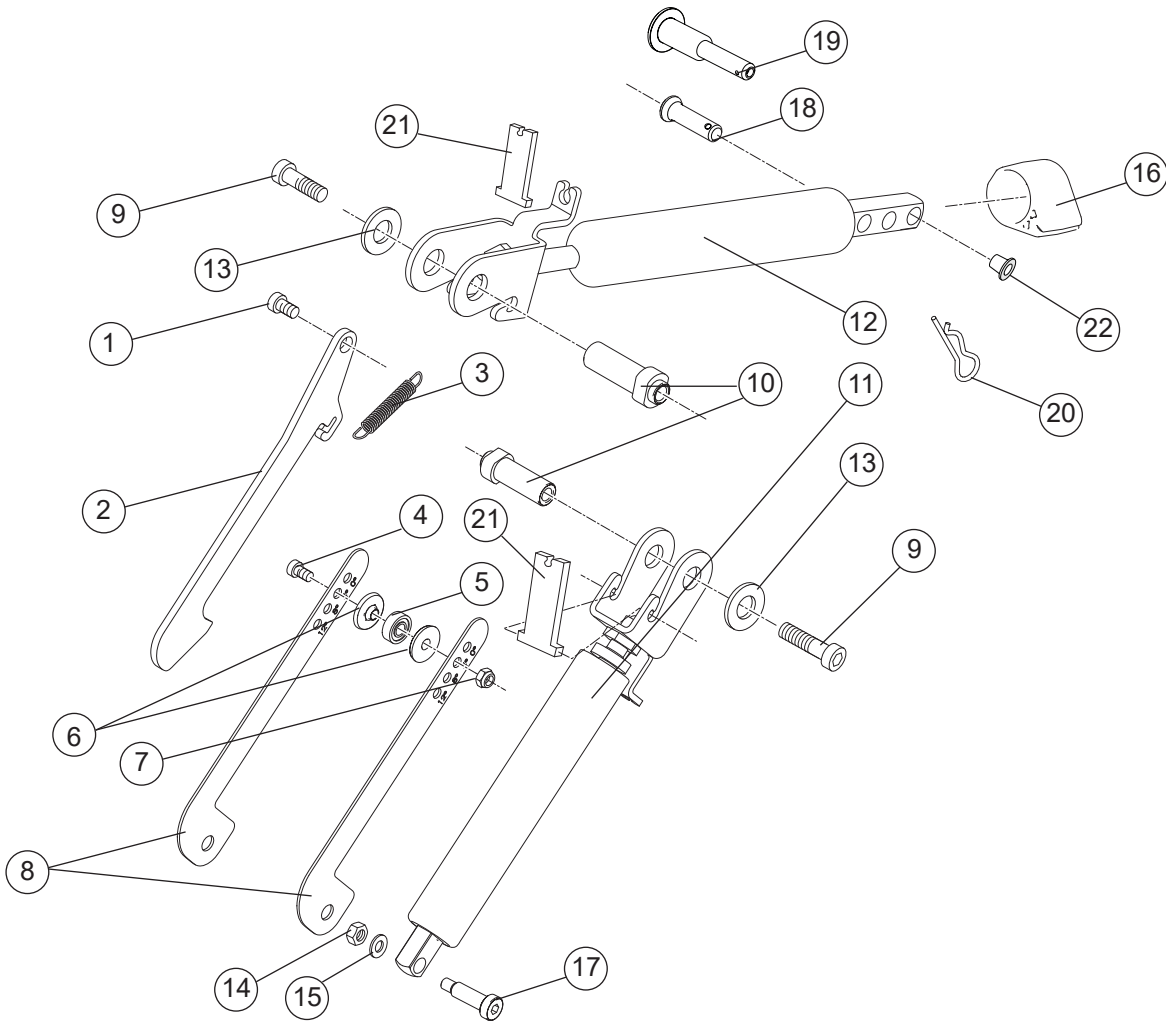
Seat frame



Pos.	Description	Item no.			
1	Seat frame rear Prio		●	●	●
2	Seat frame front Prio		●	●	●
3	Joint nut seat frame Prio	12117	●	●	●
4	Wire attachment	50893	●	●	●
5	Attachment armrest Prio	28514	●	●	●
6	Screw M 6x 16 MC6S 12.9	11253	●	●	●
7	Screw M 6x 14 MC6LS SW5 Zn8/P4	11700	●	●	●
8	Screw M8x16 K6S A2	11014	●	●	●

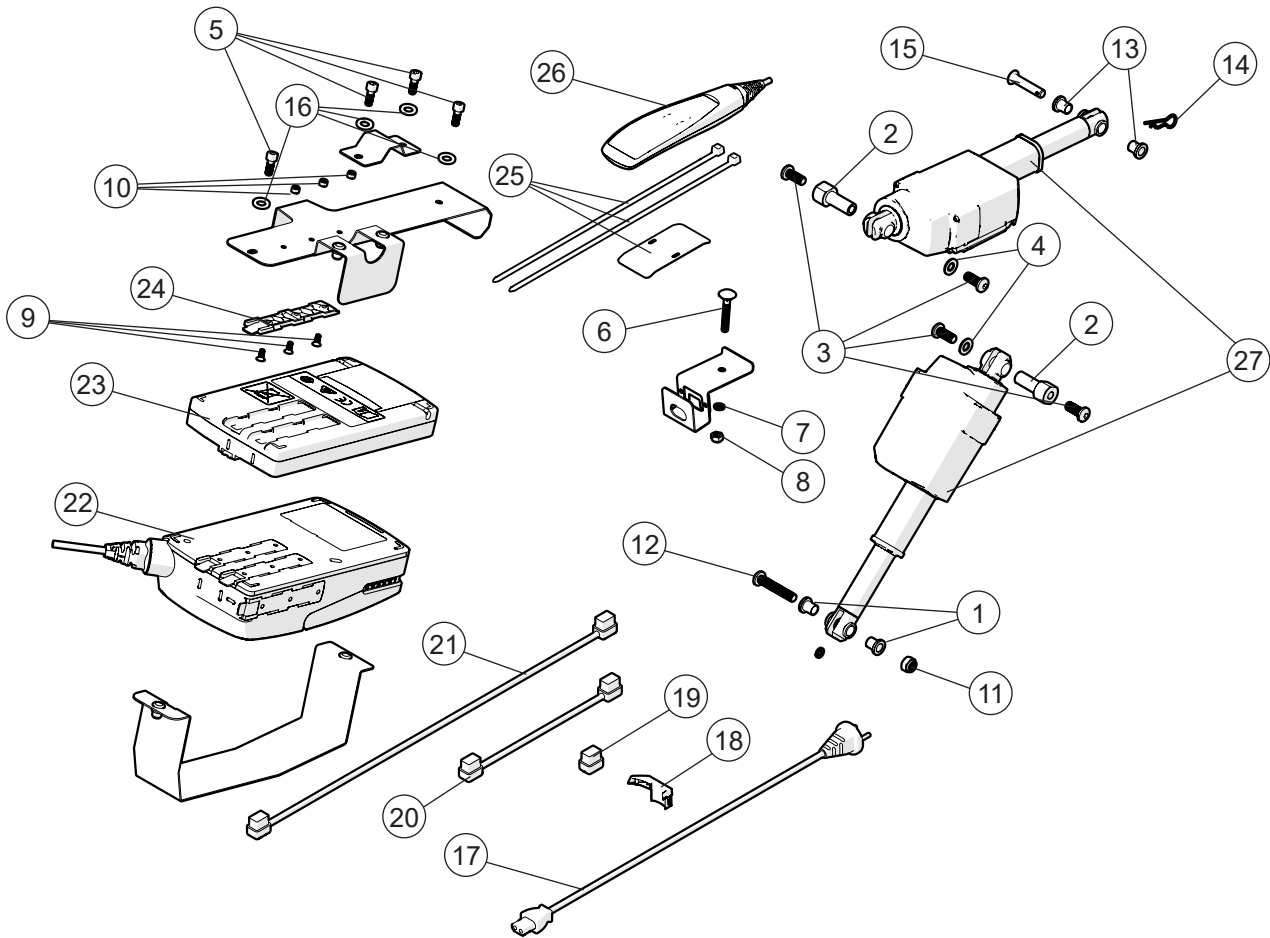
Prio	Prio AB	Prio 16"
●	●	●
●	●	●
●	●	●
●	●	●
●	●	●
●	●	●
●	●	●
●	●	●

Gas pistons, comfort lock



Pos.	Description	Item no.	Prio	Prio AB	Prio 16"
1	Screw M 6x 16 MC6S 12.9	11253	●	●	●
2	Comfort lock	82667	●	●	●
3	Spring	82690	●	●	●
4	Screw M5x16	11424	●	●	●
5	Bearings Dy15 Di6 t5 (NOMO 696	82660	●	●	●
6	Bearing bushing comfort lock K	20509	●	●	●
7	Locking nut M 5	12003	●	●	●
8	Adjustment plate comfort lock	82691	●	●	●
9	Screw M8x20 K6S 10.9 zink plated	11704	●	●	●
10	Joint sleeve key socket gas pi	20511	●	●	●
11	Gas spring cpl	27682	●	●	●
12	Gas spring Prio back cpl	28701	●	●	●
13	Washer 25/12/1.5 black pa	51169	●	●	●
14	Locking nut M 6	12017	●	●	●
15	Washer BRB 6x3x10x1.5 fzb	13080	●	●	●
16	Pull mechanism active backrest plastic Prio	51042	●	●	●
17	Screw 12.9 8xM6x21.5 Prio	20513	●	●	●
18	Bolt D8 L23.3	83003	●	●	●
19	Locking pin QR	83159	●	●	●
20	Locking pin R t2	83037	●	●	●
21	Lock clapper	82697	●	●	●
22	Cover plug gas spring Prio 3A	51238	●	●	●

Actuator, electric recline function



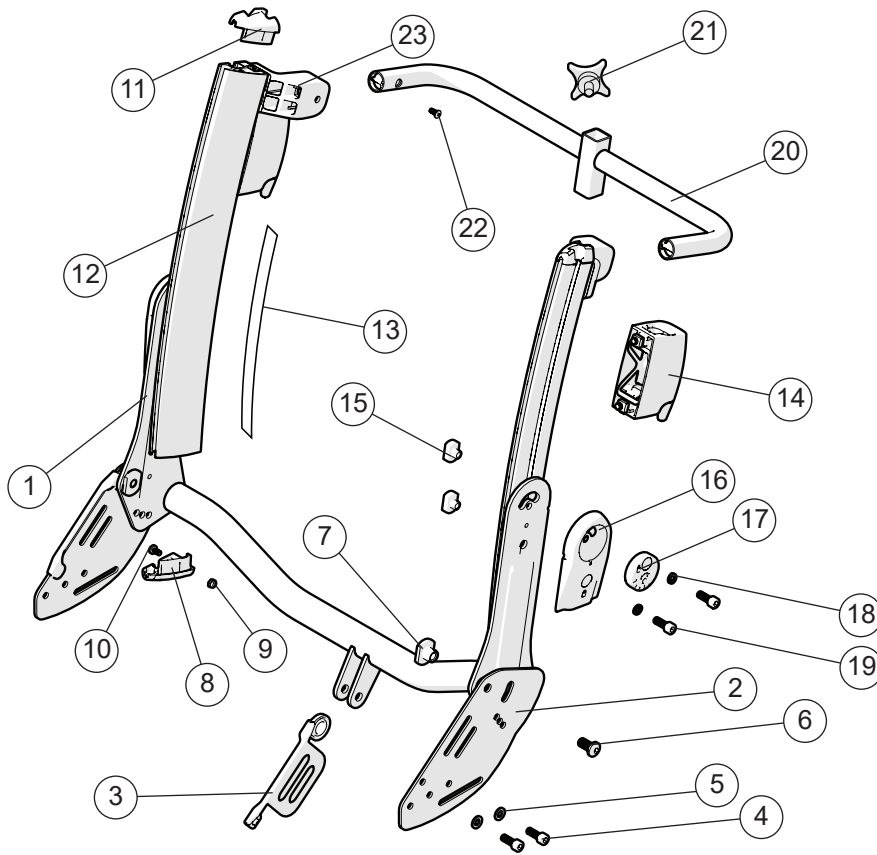
Pos.	Description	Item. no.
1	Spacer electric tilt Prio	
2	Spacer M8 electric tilt Prio	
3	Screw M 8x 20 fzb	
4	Cir clip RSM 5 stainless	
5	Screw M 6x 16 MC6S 12.9	
6	Screw M 6x 40 MVBF fzb	
7	Washer BRB 6x3x10x1.5 fzb	
8	Locking nut M 6 fzb	
9	Screw M 4x 10 MF6S Fzb	
10	Locking nut M 4 fzb	
11	Locking nut M 8	
12	Screw M 8x 45 MK6S Fzb	
13	Spacer POM electric tilt Prio	
14	Locking pin R t2	
15	Bolt electric tilt Prio	
16	Washer BRB 6.5x12x1.5	
1-16	Screw kit	28370
17	Power plug electric tilt Prio	83173
18	Cablelock actuator electric tilt P	83170

Prio
Prio AB
Prio 16"

Actuator, electric recline function cont.

Pos.	Description	Item. no.	Prio	Prio AB	Prio 16"
19	Plug controlbox electric tilt Prio	51155	●	●	●
20	Battery cabel electric tilt Prio	83167	●	●	●
21	Cabel actuator electric tilt Prio	83164	●	●	●
22	Control box electric tilt Prio	83166	●	●	●
23	Battery electric tilt Prio	83168	●	●	●
24	Bracket electric tilt Prio	83171	●	●	●
25	Bracket handcontrol Prio	28577	●	●	●
26	Handcontroll electric tilt Prio	83169	●	●	●
27	Actuator electric tilt Prio	83165	●	●	●

Back support 3A



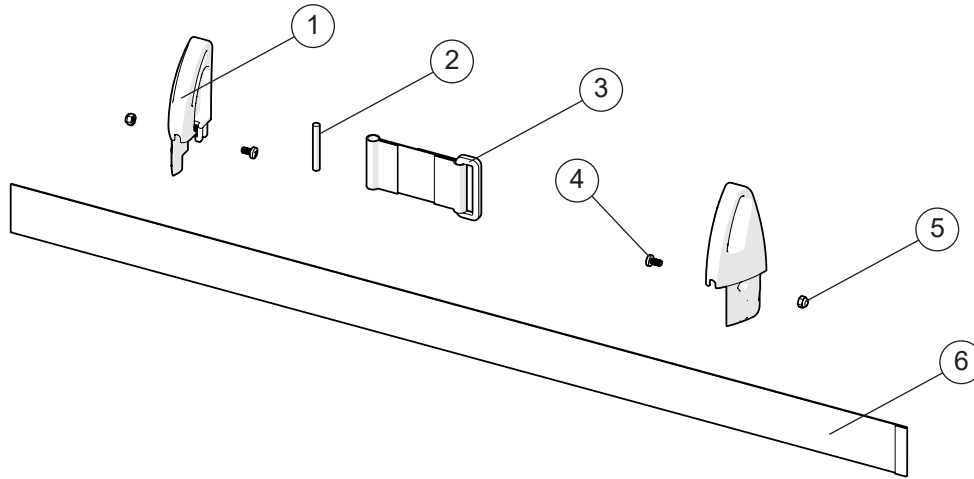
Pos.	Description	Item. no.
1	Back support frame	
2	Back joint plate Prio mod 3	28674-01
3	Protection back support plate R	51226-1
	Protection back support plate L	51226-2
4	Screw M6x16 MC6S 12.9	11253
5	Washer 6.4x12x1.6 Zn8/P4	13030
6	Screw M8x16 K6S 10.9 driloc	11713
7	Joint nut	83316
1-24	Back support frame Prio 40 incl back support upholstery (see page with back support upholstery)	28708
	Back support frame Prio 45 incl back support upholstery (see page with back support upholstery)	28709
	Back support frame Prio 50 incl back support upholstery (see page with back support upholstery)	28710
	Back support frame Prio 55 incl back support upholstery (see page with back support upholstery)	28711
8	Cover back rail low R	51232-1
	Cover back rail low L	51232-2
9	Locking nut M 4 fzb din 985	12026
10	Screw M4x8 MRX sv 4.8 pos	11441
11	Dust cover 1 Cross back mod 4 R	51130
	Dust cover 1 Cross back mod 4 L	51131
10, 12-14	Back rail 3A 4 kpl R	28703-1
	Back rail 3A 4 kpl L	28703-2
12	Back rail 3A mod 4 L 395 mm R	83315-1
	Back rail 3A mod 4 L 395 mm L	83315-2
13	Label back heigth 46-62	71887
14	Attachment push handle cpl	28576
15	Nut T-slot	20028
16	Cover exenter 3A	51227
17	Excenter backrest chassi	83291
18	Circlip M6 wavy fzb	13113
19	Screw M6x18	11670
20-22	Head support attachment 3A 40 cm	28680
	Head support attachment 3A 45 cm	28681
	Head support attachment 3A 50 cm	28682
	Head support attachment 3A 55 cm	28683
21	Locking wheel M8x14	400118
22	Screw M6x20 MC6LS SW5 Zn/P4	11700
23	Attachment	
24	Back support upholstery (see section Back support upholstery)	

Prio

Prio AB

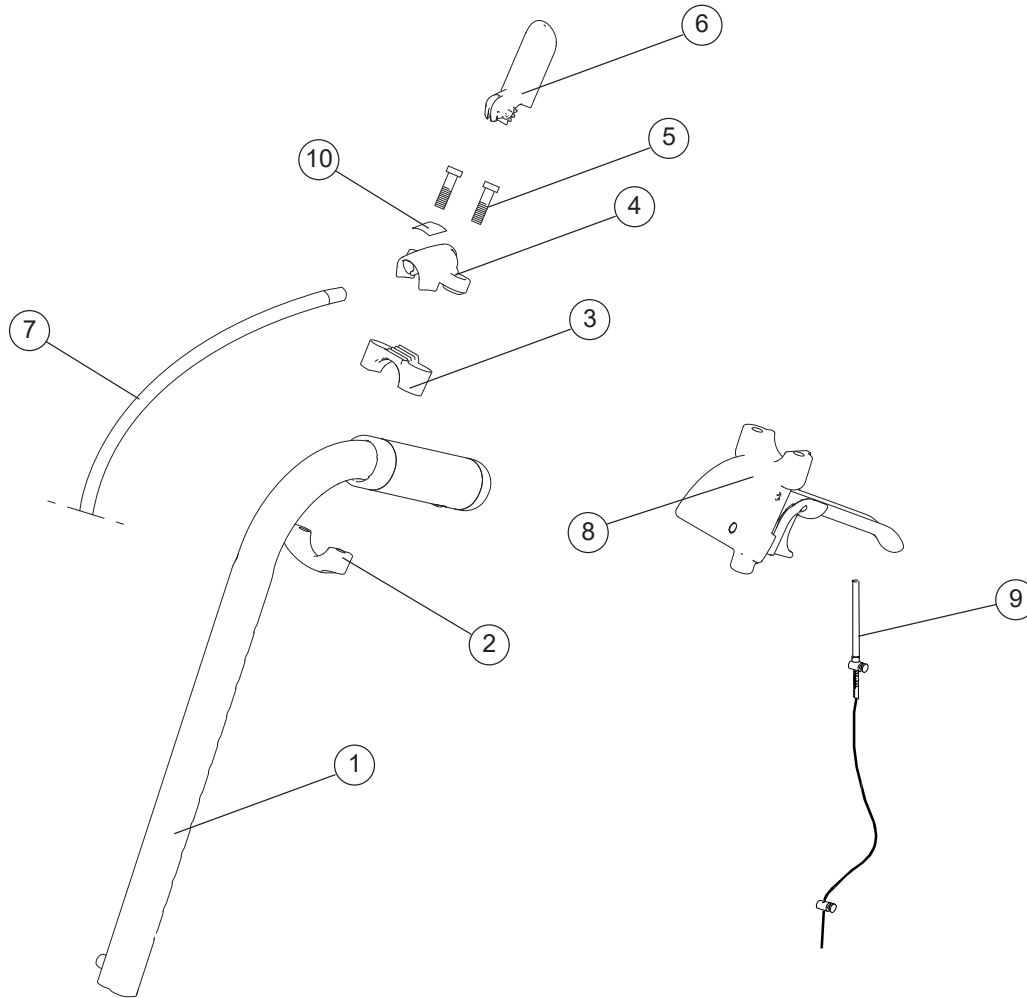
Prio 16"

Extension back 3A



Pos.	Description	Item. no.	Prio	Prio AB	Prio 16"
1-6	Extension back 3A 35-40 cpl	28658	●	●	●
	Extension back 3A 42,5-50 cpl	28659	●	●	●
	Extension back 3A 52,5-60 cpl	28660	●	●	●
1	Extension back R	51223-1	●	●	●
	Extension back L	51223-2	●	●	●
2	Tension rod	51222	●	●	●
3	Loop extension back 3A cpl	63294	●	●	●
4	Screw M4x8 MRX black 4.8 pos	11441	●	●	●
5	Locking nut M4 zink plated	12026	●	●	●
6	Seat depth extension 35-40 cm	63291	●	●	●
	Seat depth extension 42,5-50 cm	63292	●	●	●
	Seat depth extension 52,5-60 cm	63293	●	●	●

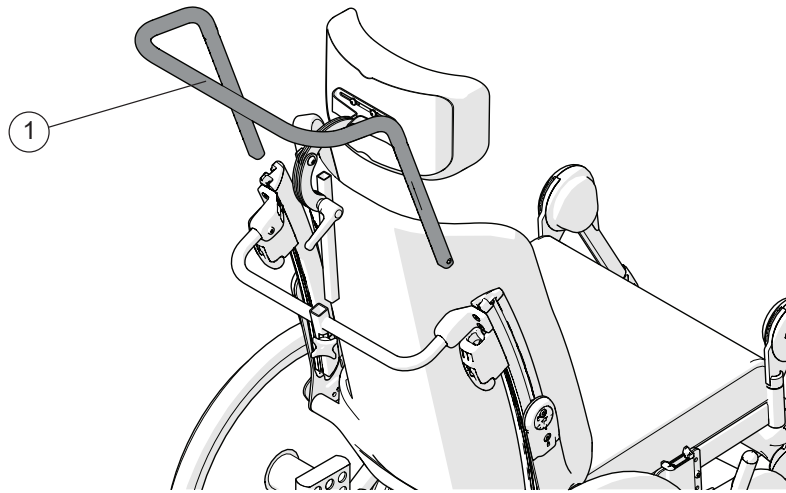
Push handles



Pos.	Description	Item no.
1-7	Push handle seat angle adj	28220-01
	Push handle back tilt controls	28219-01
1-9	Push handle seat tilt brake controls	28222-01
	Push handle back tilt brake controls	28221-01
1	Push handle	27588-01
2	Attachment drum brake Prio	51050
3	Lower attachment wire control	51034
4	Upper attachment wire control	51032
5	Screw DG50 x 30 WN	11655
6	Control Prio	51033
7	Wire back support angle	83303
	Wire seat tilt	83302
8	Brake handle Prio compl (see section "Drum brake")	
9	Wire kit drum brake (see section "Drum brake")	
10	Label tilt controls	71373
	Label back support angle controls	71374

Prio
Prio AB
Prio 16"

Bow handle

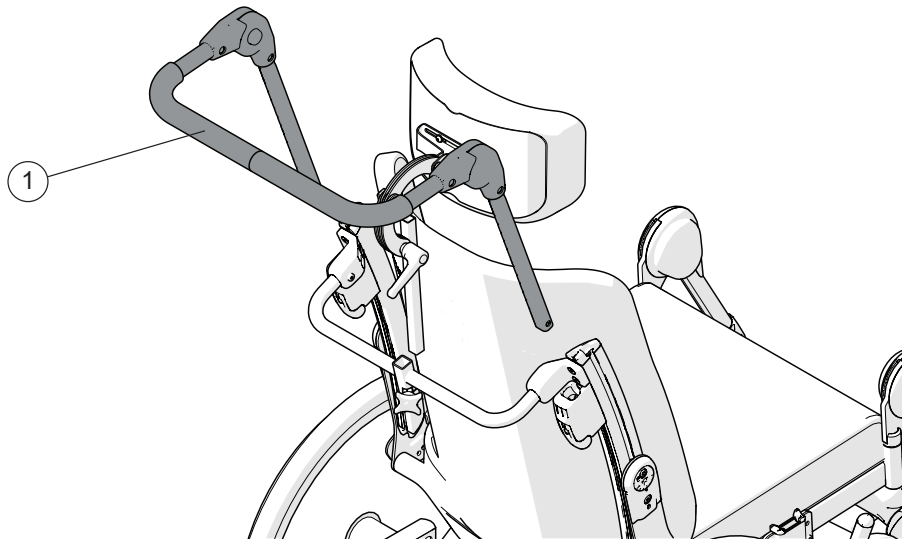


Prio
Prio AB
Prio 16"

Pos.	Description	Item no.
1	Bow handle 40 cm height adj compl	25580-01
	Bow handle 45 cm height adj compl	25582-01
	Bow handle 50 cm height adj compl	26064-01
	Bow handle 55 cm height adj compl	26069-01

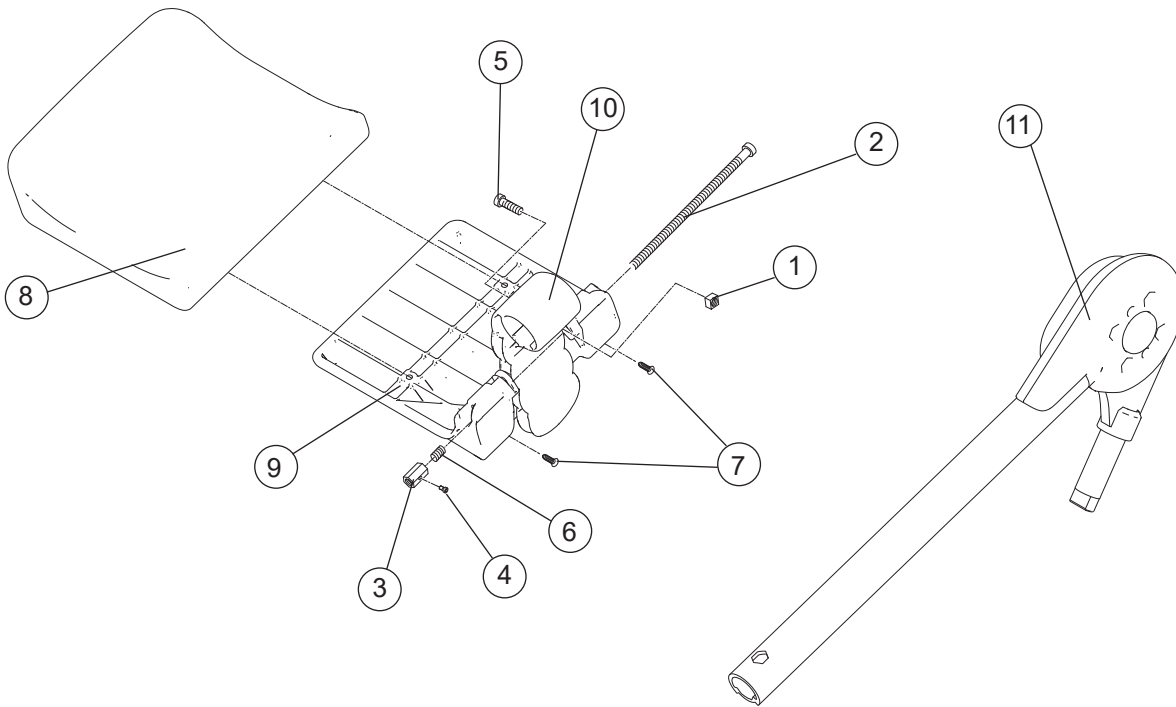
●	●	●
●	●	●
●	●	●
●	●	●

Bow handle angle adjustable



Pos.	Description	Item no.	Prio	Prio AB	Prio 16"
1	Bow handle angle adj 40 cm	27163	●	●	●
	Bow handle angle adj 45 cm	27165	●	●	●
	Bow handle angle adj 50 cm	27167	●	●	●

Leg support elevating

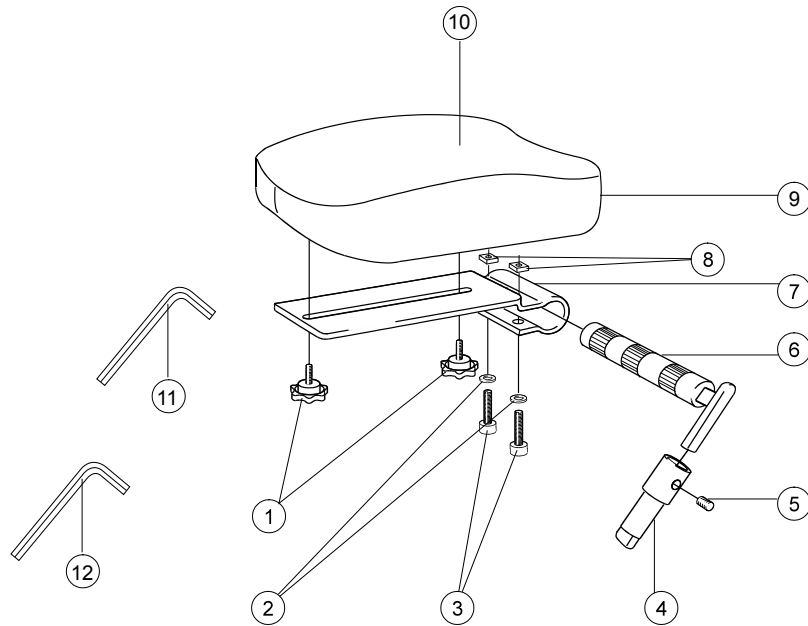


Pos.	Description	Item no.	Prio	Prio AB	Prio 16"
1	Nut attachment calf support		●	●	●
2	Screw MC6S M6 x120 10.9		●	●	●
3	Nut M6 calf support		●	●	●
4	Screw M 4x 10 MC6S 8.8		●	●	●
5	Screw M 6x 20 MC6S 8.8		●	●	●
6	Spring		●	●	●
7	Screw B 8x19 RXS/A2 ph st 4.2	11064	●	●	●
8	(Pad calf support Prio 40 grey hygiene)		●	●	●
9	(Calf support)		●	●	●
10	(Attachment calf support)		●	●	●
1-10	Calf support cpl 40 cm grey hygiene	27733-65	●	●	●
	Calf support cpl 45 cm grey hygiene	27734-65	●	●	●
	Calf support cpl 50 cm grey hygiene	27735-65	●	●	●
	Calf support cpl 55 cm grey hygiene	27736-65	●	●	●

Leg support elevating

			Prio	Prio AB	Prio 16"
Pos.	Description	Item no.			
11	Leg support elevating right	27730-01-1	●	●	●
	Leg support elevating left	27730-01-2	●	●	●
1-11	Leg support elevating Prio 40 cm green hygiene complete right	27857-64-1	●	●	●
	Leg support elevating Prio 40 cm green hygiene complete left	27857-64-2	●	●	●
	Leg support elevating Prio 40 cm grey hygiene complete right	27857-65-1	●	●	●
	Leg support elevating Prio 40 cm grey hygiene complete left	27857-65-2	●	●	●
	Leg support elevating Prio 45 cm green hygiene complete right	27858-64-1	●	●	●
	Leg support elevating Prio 45 cm green hygiene complete left	27858-64-2	●	●	●
	Leg support elevating Prio 45 cm grey hygiene complete right	27858-65-1	●	●	●
	Leg support elevating Prio 45 cm grey hygiene complete left	27858-65-2	●	●	●

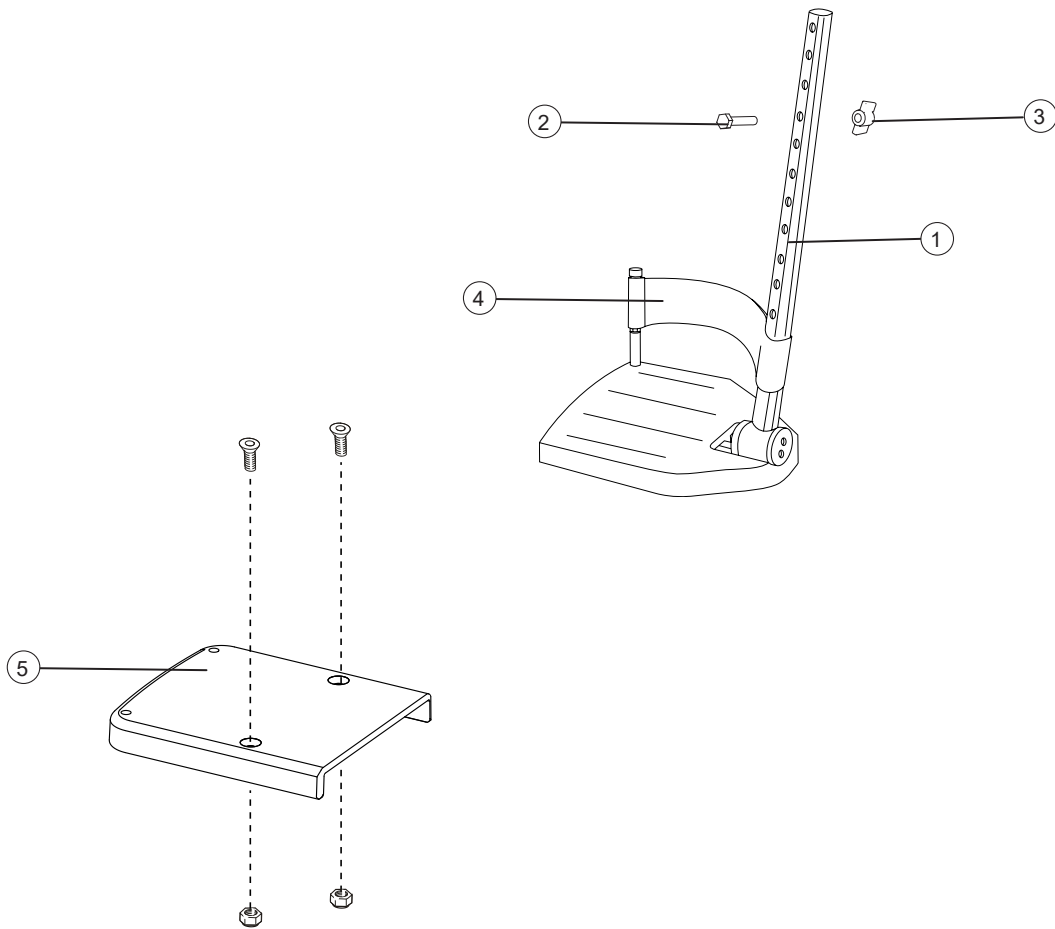
Amputee leg support



Prio
 Prio AB
 Prio 16"

Pos.	Description	Item no.			
1	Knob M 5x15 leg support amputee	80807	●	●	●
2	Washer BRB 8.4/A2 stainless	13011	●	●	●
3	Screw M 8x 35 MC6S	11276	●	●	●
4	Locking tube for leg support amputee	25518-01	●	●	●
5	Stop screw M 8x 8 black	11388	●	●	●
6	Axle leg support amputee compl	25519-01	●	●	●
7	Attachment calf support leg support amputee	80809	●	●	●
8	Square nut high M8	12056	●	●	●
9	Support pad leg support amputee dark grey	62335-60	●	●	●
	Support pad leg support Dartex	62335-63	●	●	●
	Support pad leg support amputee ri XL dark grey	62452-60-1	●	●	●
	Support pad leg support amputee le XL dark grey	62452-60-2	●	●	●
	Support pad leg support amputee ri XL dartex	62452-63-1	●	●	●
	Support pad leg support amputee le XL dartex	62452-63-2	●	●	●
10	Cover leg support amputee dark grey	62893-60	●	●	●
	Cover leg support amputee Dartex	62893-63	●	●	●
	Cover leg support amputee XL ri dark grey	62450-60	●	●	●
	Cover leg support amputee XL ri Dartex	62450-63	●	●	●
	Cover leg support amputee XL le dark grey	62761-60	●	●	●
	Cover leg support amputee XL le Dartex	62761-63	●	●	●
11	Allen key NV 4 DIN 911	80141	●	●	●
12	Allen key Nv 6 180 mm	82625	●	●	●
1-12	Amputee support compl Dark grey	25516-60	●	●	●
	Amputee support compl Dartex	25516-63	●	●	●
	Amputee support XL ri compl dark grey	26210-60-1	●	●	●
	Amputee support XL le compl dark grey	26210-60-2	●	●	●
	Amputee support XL right compl Dartex	26210-63-1	●	●	●
	Amputee support XL left compl Dartex	26210-63-2	●	●	●

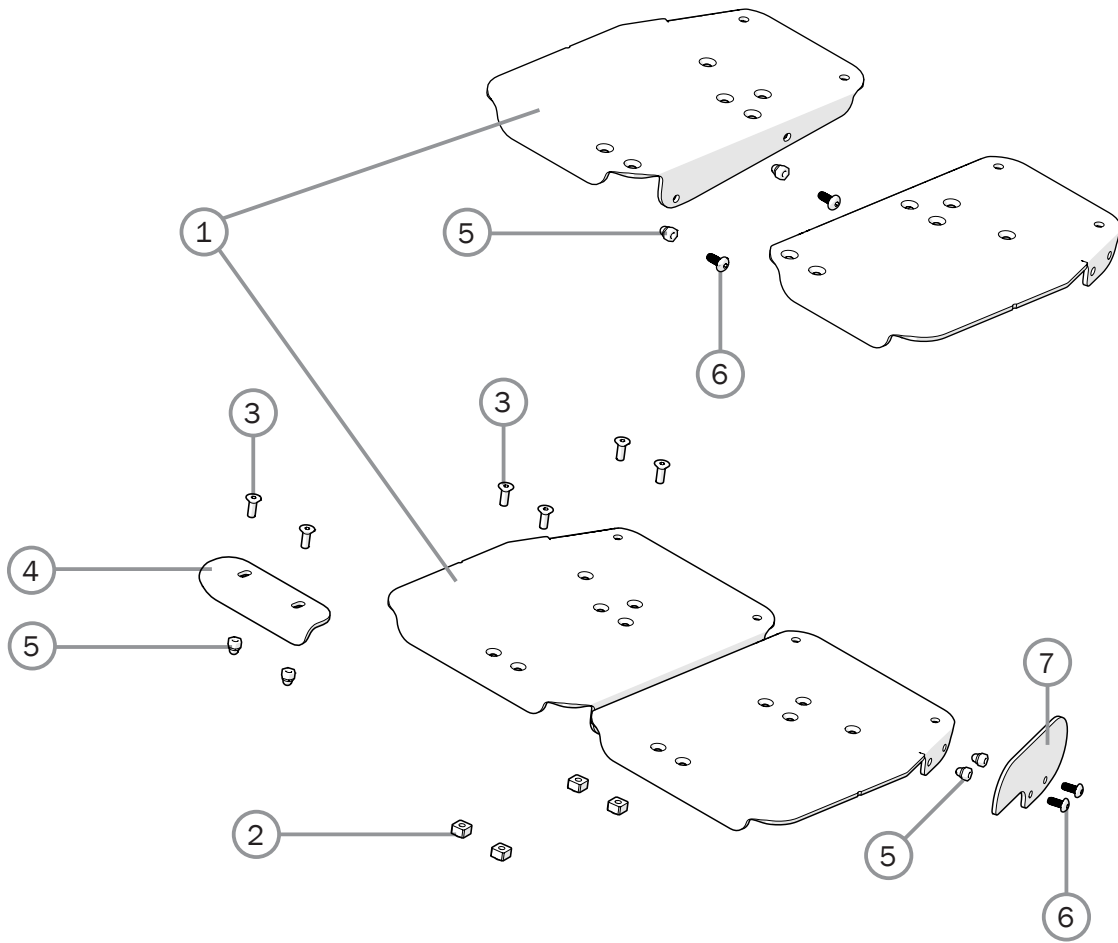
Foot support



Prio
Prio AB
Prio 16"

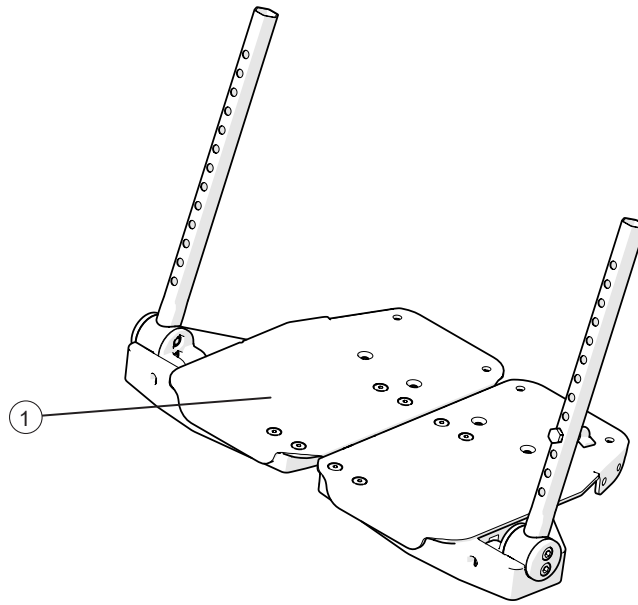
Pos.	Description	Item. no.			
1-3	Foot support depth 13 cm 40 cm right long attachment tube	25650-1	●	●	●
	Foot support depth 13 cm 40 cm left long attachment tube	25650-2	●	●	●
	Foot support depth 13 cm 45 cm right long attachment tube	25737-1	●	●	●
	Foot support depth 13 cm 45 cm left long attachment tube	25737-2	●	●	●
	Foot support depth 13 cm 50 cm right long attachment tube	25652-1	●	●	●
	Foot support depth 13 cm 50 cm left long attachment tube	25652-2	●	●	●
	Foot support depth 13 cm 40 cm right medium attachment tube	25644-1	●	●	●
	Foot support depth 13 cm 40 cm left medium attachment tube	25644-2	●	●	●
	Foot support depth 13 cm 45 cm right medium attachment tube	25736-1	●	●	●
	Foot support depth 13 cm 45 cm left medium attachment tube	25736-2	●	●	●
	Foot support depth 13 cm 50 cm right medium attachment tube	25646-1	●	●	●
	Foot support depth 13 cm 50 cm left medium attachment tube	25646-2	●	●	●
2	Screw M6x 30 M6S	11555	●	●	●
3	Wing nut 26-M 6	80847	●	●	●
4	Heel strap compl	24458	●	●	●
5	Foot support widened 52,5-60 cm compl	28443	●	●	●

Foot support cont.



Pos.	Description	Item no.	Prio	Prio AB	Prio 16"
1-3	Extender footplate M right	28775-1	●	●	●
	Extender footplate M left	28775-2	●	●	●
	Extender footplate L right	28776-1	●	●	●
	Extender footplate L left	28776-2	●	●	●
1	Extender footplate M right		●	●	●
	Extender footplate M left		●	●	●
	Extender footplate L right		●	●	●
	Extender footplate L left		●	●	●
2	Stop bar	80661	●	●	●
3	Screw M5x14 MF6S Zn8/P esloc	11237	●	●	●
3-6	Guide one-piece footplate cpl	28773	●	●	●
4	Guide one-piece footplate		●	●	●
5	Locking nut M 5 domed zink plated	12168	●	●	●
6	Screw M5x12 K6S 10.9 zink plated	11208	●	●	●
7	Side protection footplate	83420	●	●	●
5-7	Side protection footplate cpl H35 mm	28772	●	●	●

Foot support one piece

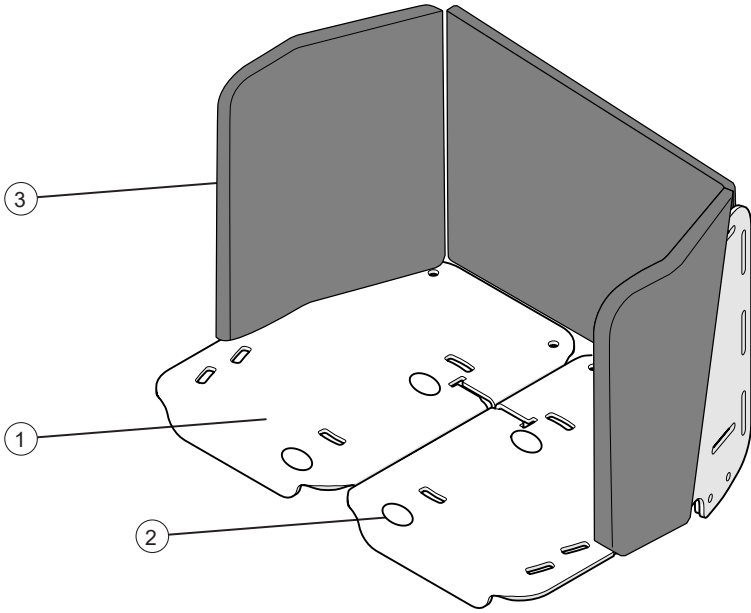


Pos.	Description	Item no.
1	Foot support one piece=40 cpl	28662
	Foot support one piece=45 cpl	28663
	Foot support one piece=50 cpl	28664
	Foot support one piece=55 cpl	28665

Prio
Prio AB
Prio 16"

●	●	●
●	●	●
●	●	●
●	●	●

Footbox



Prio

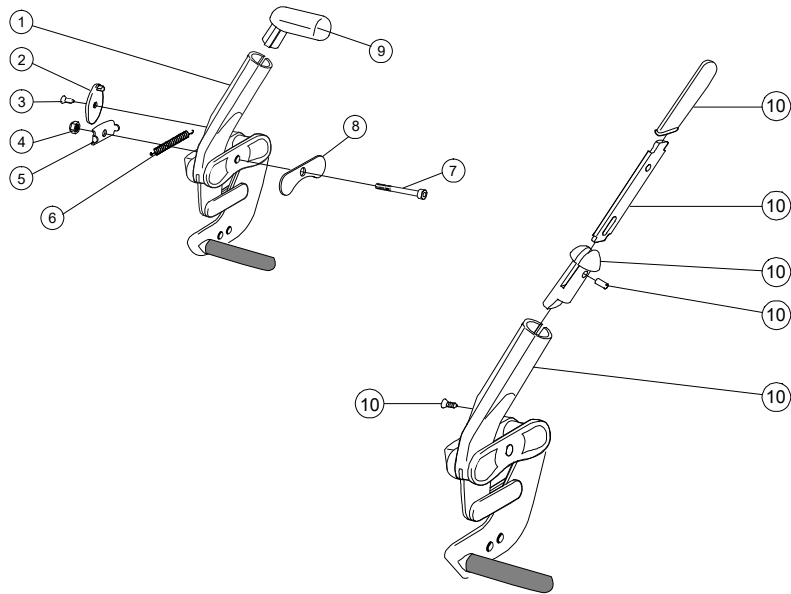
Prio AB

Prio 16"

Pos.	Description	Item. no.
1-3	Footbox W=40-45 cm	28642
	Footbox W=50-55 cm	28643
1	Footbox W=40-45 cm	
	Footbox W=50-55 cm	
2	Screw kit	
3	Padding footbox W=40-45 cm	28778
	Padding footbox W=50-55 cm	28779

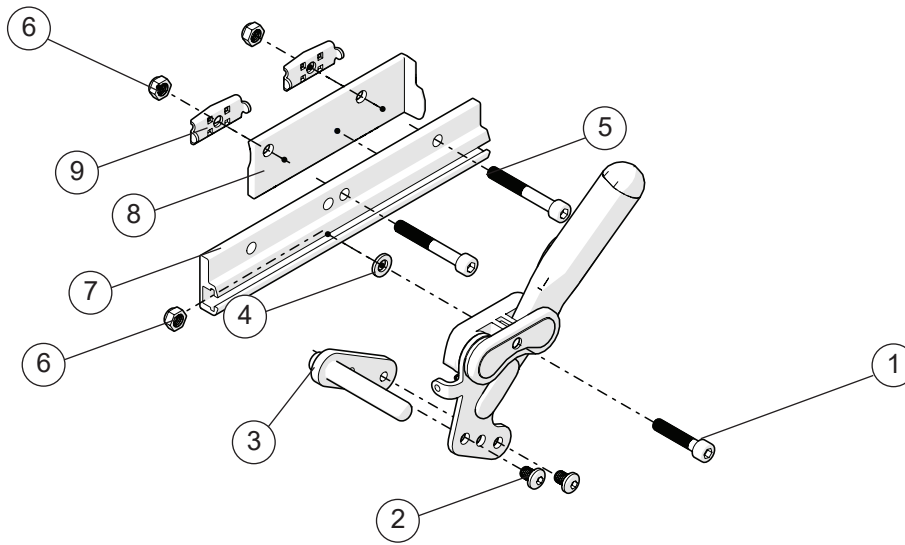
●	●	●
●	●	●
●	●	●
●	●	●
●	●	●
●	●	●
●	●	●

User brake



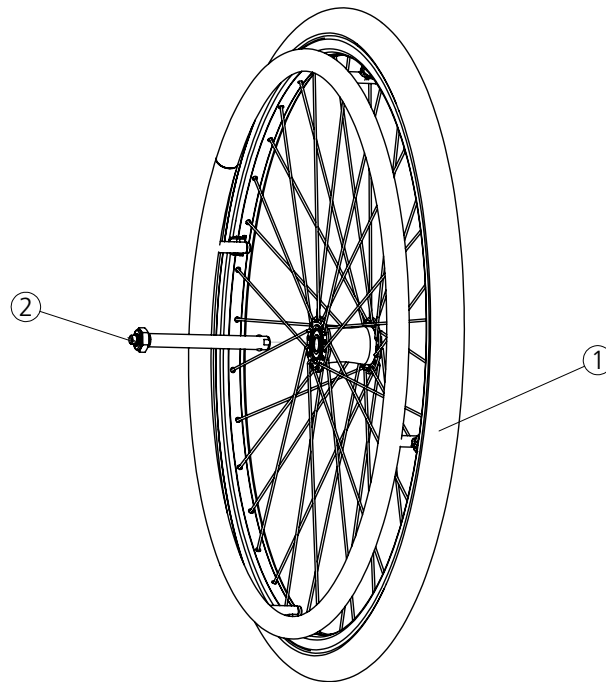
Pos.	Description	Item no.	Prio	Prio AB	Prio 16"
1-9	User brake angle red handle R Prio	27951-1	●	●	
	User brake angle red handle L Prio	27951-2	●	●	
	User brake angle black handle R Prio	27894-1	●	●	
	User brake angle black handle L Prio	27894-2	●	●	
2	Stop detail brake Cross mod new	50373	●	●	
3	Screw B 6 3.5x 9.5 FXS black	11384	●	●	
4	Locking nut M 6 zink plated	12017	●	●	
5	Washer inner brake mod 3	82564	●	●	
6	Spring for brake Cross	80796	●	●	
7	Screw M6x 60 MC6S Zn8/P4	11408	●	●	
8	Washer outer brake mod 3	82575	●	●	
9	Plug brake Cross red	51012	●	●	
	Plug brake Cross black	50395	●	●	
10	Brake lever extension Cross compl	25515	●	●	
1-8,10	User brake extension handle R Prio	27895-1	●	●	
	User brake extension handle L Prio	27895-2	●	●	

Brake adapter



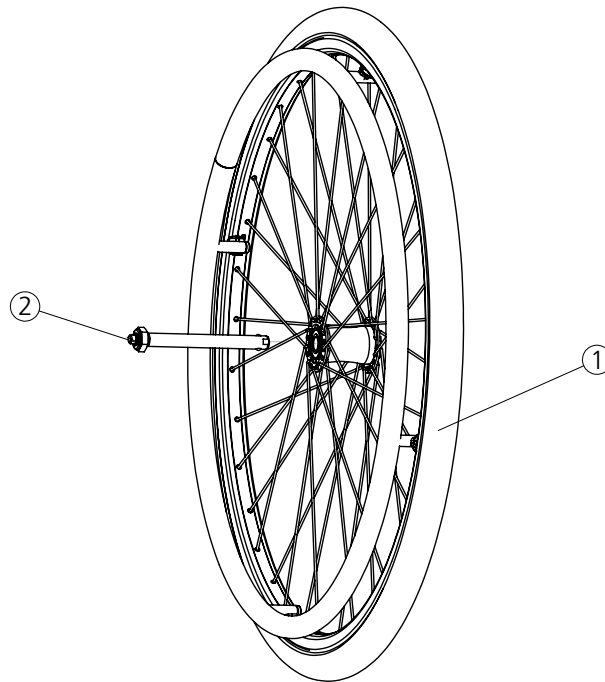
Pos.	Benämning	Art. nr.	Prio	Prio AB	Prio 16"
1-9	Adapter brake Prio 16/20	28654	●	●	●
1	Screw M6x45 MC6S 12.9 black		●	●	
2	Screw K6S M6x8 10.9 black		●	●	
3	Adapter brake arm Prio 20-22		●	●	
2-3	Adapter brake Prio 22	28403	●	●	
4	Washer 6.4x16x1,6		●	●	
5	Screw M6x 30 MC6S		●	●	
6	Locking nut M6 DIN 985-6		●	●	
7	Attachment brake		●	●	
8	Spacer brake adapter right Prio	51148-1	●	●	
	Spacer brake adapter left Prio	51148-2	●	●	
9	Washer inner brake mod 3	82564	●	●	

Rear wheel 20"



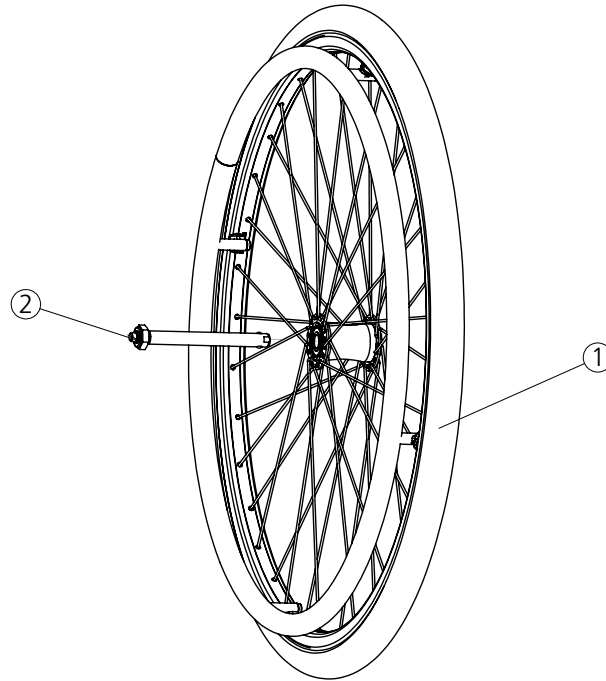
Pos.	Description	Item no.	Prio	Prio AB	Prio 16"
1	Rear wheel 20" solid/alu M100	82486	●	●	
	Rear wheel 20" C5 solid/alu grey excl axle	27542	●	●	
	Rear wheel 20" C5 solid/cellular rubber excl axle	27543	●	●	
	Rear wheel 20" C5 solid/stainless steel excl axle	27544	●	●	
2	QR axle for M100 rear wheel steel hub	82483	●	●	
	QR axle D12 Cross	82581	●	●	

Rear wheel 22"



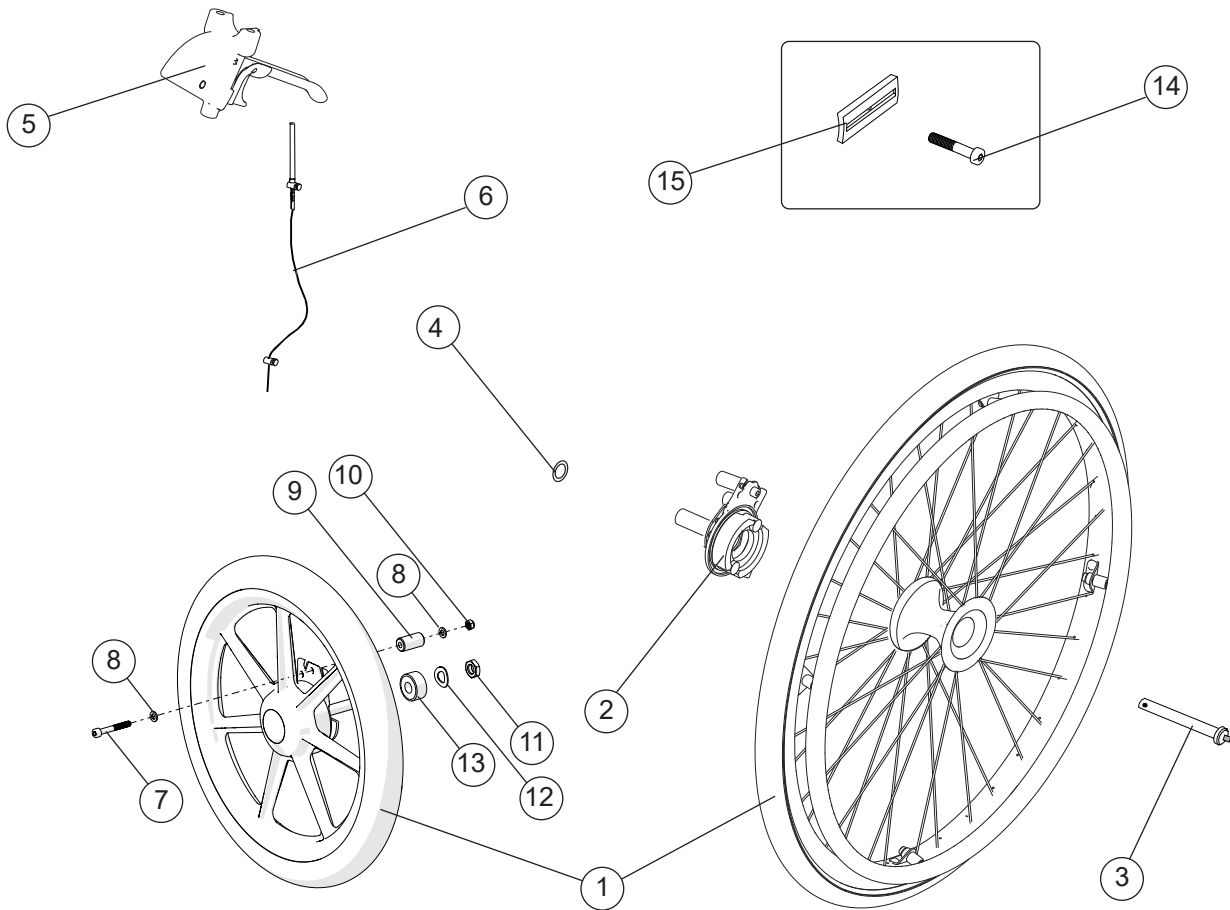
Pos.	Description	Item no.			
			Prio	Prio AB	Prio 16"
1	Rear wheel 22" solid/alu M100	82485	●	●	
	Rear wheel 22" C5 high pressure handrim cellular rubber excl axle	27548	●	●	
	Rear wheel 22" C5 high pressure/plastic coated excl axle	27549	●	●	
	Rear wheel 22" C5 high pressure/stainless steel excl axle	27550	●	●	
	Rear wheel 22" C5 solid/alu excl axle	27552	●	●	
	Rear wheel 22" C5 solid/cellular rubber excl axle	27553	●	●	
	Rear wheel 22" C5 solid/plastic coated excl axle	27554	●	●	
	Rear wheel 22" C5 solid/stainless steel excl axle	27555	●	●	
2	QR axle for M100 rear wheel steel hub	82483	●	●	
	QR axle D12 Cross	82581	●	●	

Rear wheel 24"



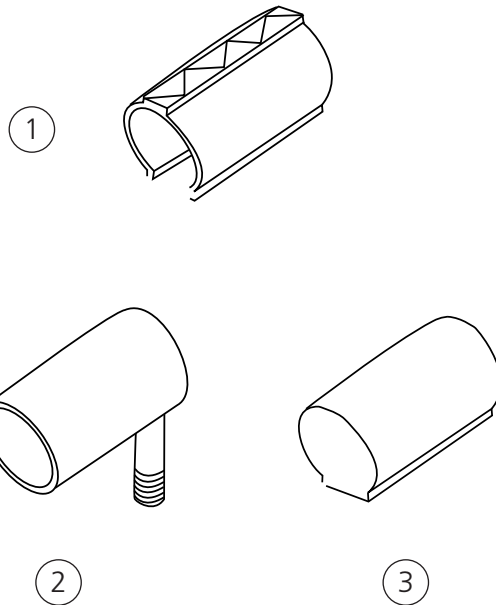
Pos.	Description	Item no.	Prio	Prio AB	Prio 16"
1	Rear wheel 24" solid/alu M100	82484	●	●	
	Rear wheel 24 C5 HD/cellular rubber black wo axle	28862	●	●	
	Rear wheel 24 C5 HD/plastic coated black wo axle	28863	●	●	
	Rear wheel 24 C5 HD/stainless black wo axle	28864	●	●	
	Rear wheel 24" C5 solid/without handrim excl axle	27563	●	●	
	Rear wheel 24" C5 solid/alu excl axle	27564	●	●	
	Rear wheel 24" C5 solid/cellular rubber excl axle	27565	●	●	
	Rear wheel 24" C5 solid/plastic coated excl axle	27566	●	●	
	Rear wheel 24" C5 solid/stainless steel excl axle	28844	●	●	
2	QR axle for M100 rear wheel steel hub	82483	●	●	
	QR axle D12 Cross	82581	●	●	

Attendant brake



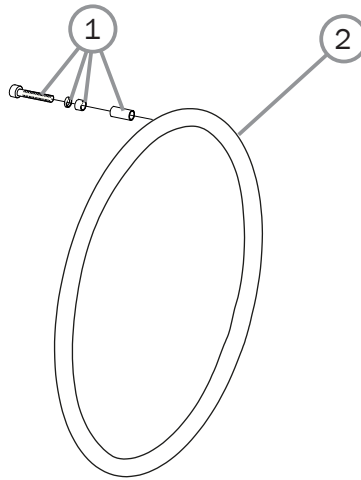
Pos.	Description	Item no.	Prio	Prio AB	Prio 16"
1	Rear wheel 20 attendant brake	81337	●	●	
	Rear wheel 22 attendant brake	81339	●	●	
	Rear wheel 24 attendant brake	81346	●	●	
	Wheel 16 solid Transit right	83283			●
	Wheel 16 solid Transit left	83284			●
2	Brake shoe kit attendant brake Prio right	82822	●	●	
	Brake shoe kit attendant brake Prio left	82823	●	●	
3	Qr axle attendant brake	81325	●	●	
4	Schnorr washer 17x24x1.3	13084	●	●	
5	Brake handle Prio compl	82585	●	●	●
6	Wire kit attendant brake	82856	●	●	●
7	Screw M6x 45 MC6S 12.9 black				●
8	Washer brb 11.8x6.5x1.5				●
9	Spacer 6.5x15.9x30				●
10	Nut M6 Zn8/P4 DIN 985-6				●
11	Nut M12 FZB DIN 439B	12078			●
12	Spring washer 13x24x1.2 DIN 137B fzb				●
13	Spacer 12x24x10				●
14	Screw M6x65 MC6S 12.9 fzb	11236	●	●	
15	Adapter brake 5 mm	51019	●	●	
2-6 14-15	Assembly kit attendant brake Prio 20" , 22" , 24"	28423	●	●	
5-13	Assembly kit 16"	28459			●
	Push handles, see section "Push handles"				

Tyre and innertube



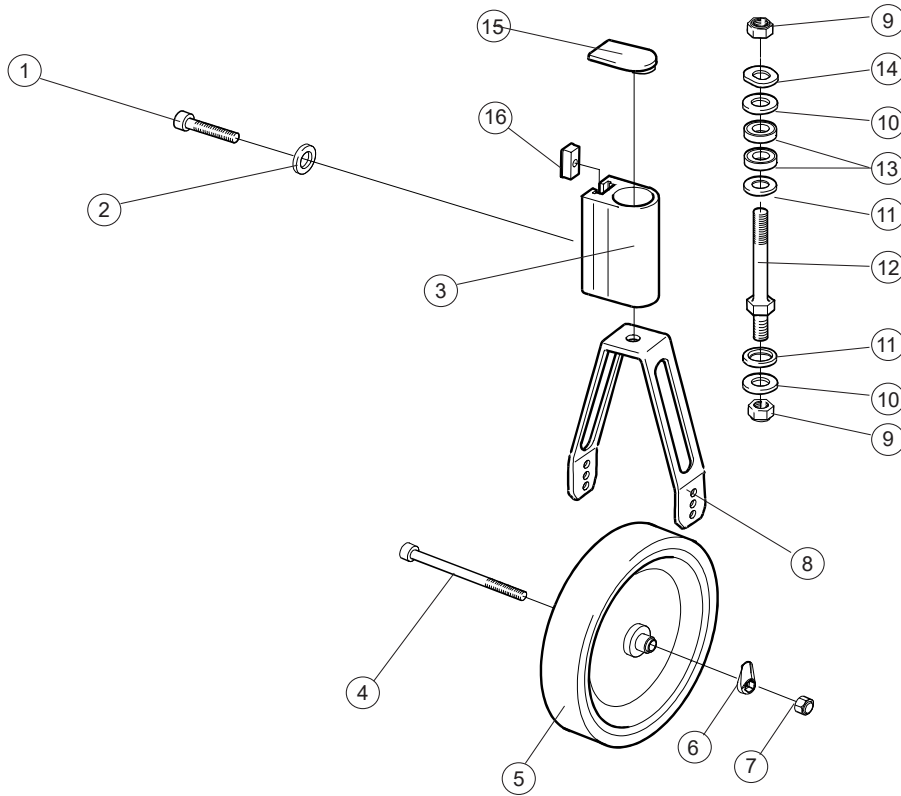
Pos.	Description	Item no.	Prio	Prio AB	Prio 16"
1	Tyre 20" solid	80787	●	●	
	Tyre 22" solid	81384	●	●	
	Tyre 22"x1" pneumatic high pressure	81125	●	●	
	Tyre 24" solid	80768	●	●	
	Däck 24" high pressure black	83329	●	●	
	Tyre 24" Schwalbe Marathon plus	83301	●	●	
2	Innertube 20" pneumatic	80132	●	●	
	Innertube 22" pneumatic high pressure	80136	●	●	
	Innertube 24" pneumatic high pressure	80560	●	●	
3	Innertube 20" massive	82706	●	●	
	Innertube 22" massive	82705	●	●	
	Innertube 24" massive	82704	●	●	

Handrims



Pos.	Description	Item no.	Prio	Prio AB	Prio 16"
1	Attachment kit handrim titanium/aluminium/cellular/stainless	24514	●	●	
2	20" Rear wheel				
	Handrim D465 wheel 20" alu	81109	●	●	
	Handrim D465 wheel 20" vinyl	81229	●	●	
	Handrim D425 wheel 20" cellular, clip mounted	24442	●	●	
	Handrim D465 wheel 20" stainless	21034	●	●	
	Handrim D465 wheel 20" stainless	83006	●	●	
	Handrim D465 wheel 20" vinyl	83010	●	●	
	22" Rear wheel				
	Handrim D500 wheel 22" alu	25636	●	●	
	Handrim D500 wheel 22" stainless	24395	●	●	
	Handrim D500 wheel 22" vinyl	80895	●	●	
	Handrim D469 wheel 22" cellular, clip mounted	24551	●	●	
	Handrim D500 wheel 22" stainless	83007	●	●	
	Handrim D500 wheel 22" vinyl	83011	●	●	
	24" Rear wheel				
	Handrim D540 wheel 24" alu	25181	●	●	
	Handrim D540 wheel 24" stainless	24023	●	●	
	Handrim D540 wheel 24" vinyl	82998	●	●	
	Handrim D540 wheel 24" cellular clip mounted	80800	●	●	
	Handrim D540 wheel 24" stainless	83008	●	●	
Handrim D540 wheel 24" vinyl	83012	●	●		

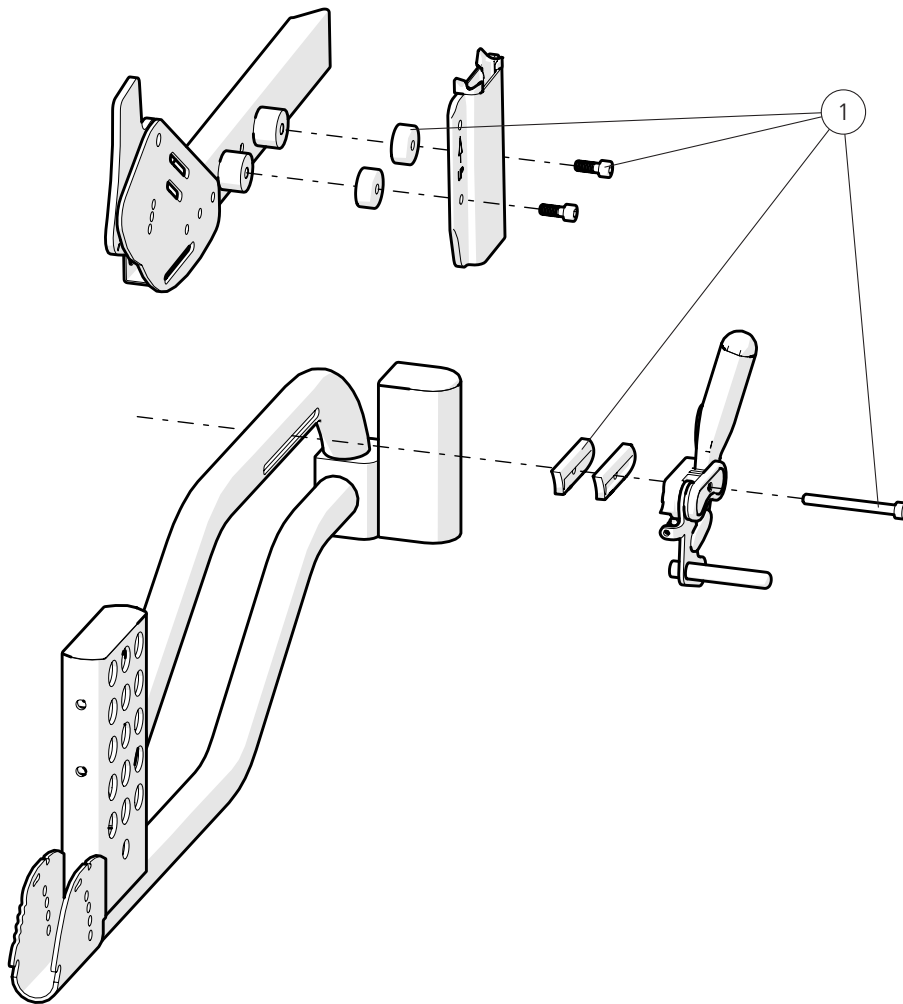
Castor



Pos.	Benämning	Art. nr.			
1	Screw M8x1x40 MC6S 12.9 black	11305	●	●	●
2	Locking washer	13092	●	●	●
3	Front fork housing 6063 HIT T6 4104-06	80606	●	●	●
	Front fork housing widened	80899	●	●	●
	Front fork housing widened cpl	25763	●	●	●
4	Screw M 6x 75 MC6S 12.9 black	11338	●	●	●
5	Wheel				
6	Cover wheel axle PA 6	51135	●	●	●
7	Locking nut M6 DIN 985-6 black	12035	●	●	●
4-7	Castor wheel 6 150x30 solid soft	27863	●	●	●
	Castor wheel 6,5 165x30 solid hard	27866	●	●	●
	Castor wheel 7 175x45 solid soft	27867	●	●	●
	Castor wheel 8 200x35 solid hard	27864	●	●	●
	Castor wheel 8 200x50 solid hard	27868	●	●	●
8	Front fork std				
	Front fork short				
	Front fork Transit 8x2 without axle	25889-01	●	●	●
8-12	Front fork std incl shaft	28422	●	●	●
	Front fork short incl shaft	28421	●	●	●
	Front fork Transit 8x2 incl axle	27874	●	●	●
9	Locking nut low black	12077	●	●	●
10	Washer BRB 13.5 black	13031	●	●	●
11	Washer 12.7x24x2.5 with chamfer	13032	●	●	●
12	Shaft front fork steel	83812	●	●	●
13	Ball bearing EE4 2RS	80244	●	●	●
14	Washer 13x24x1.2 DIN 137B zink plated	13040	●	●	●
15	Cover front fork housing	51220	●	●	●
16	Slot nut	82922	●	●	●

Prio
Prio AB
Prio 16"

Widening kit



Pos.	Description	Item no.
1	Widening kit 25 mm	27892

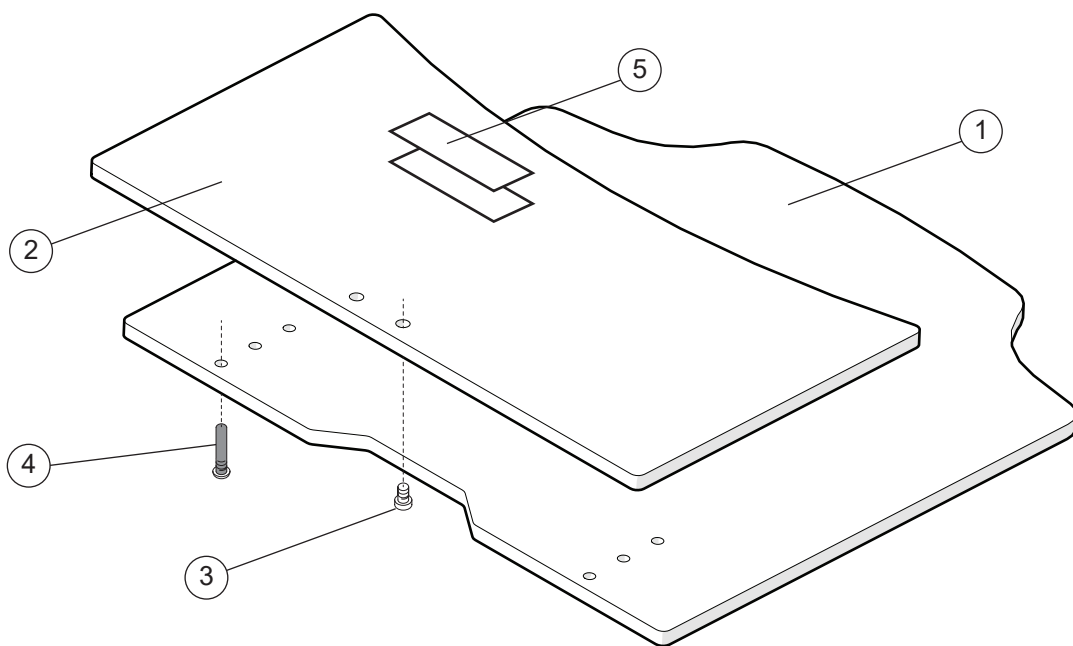
Prio

Prio AB

Prio 16"



Solid seat

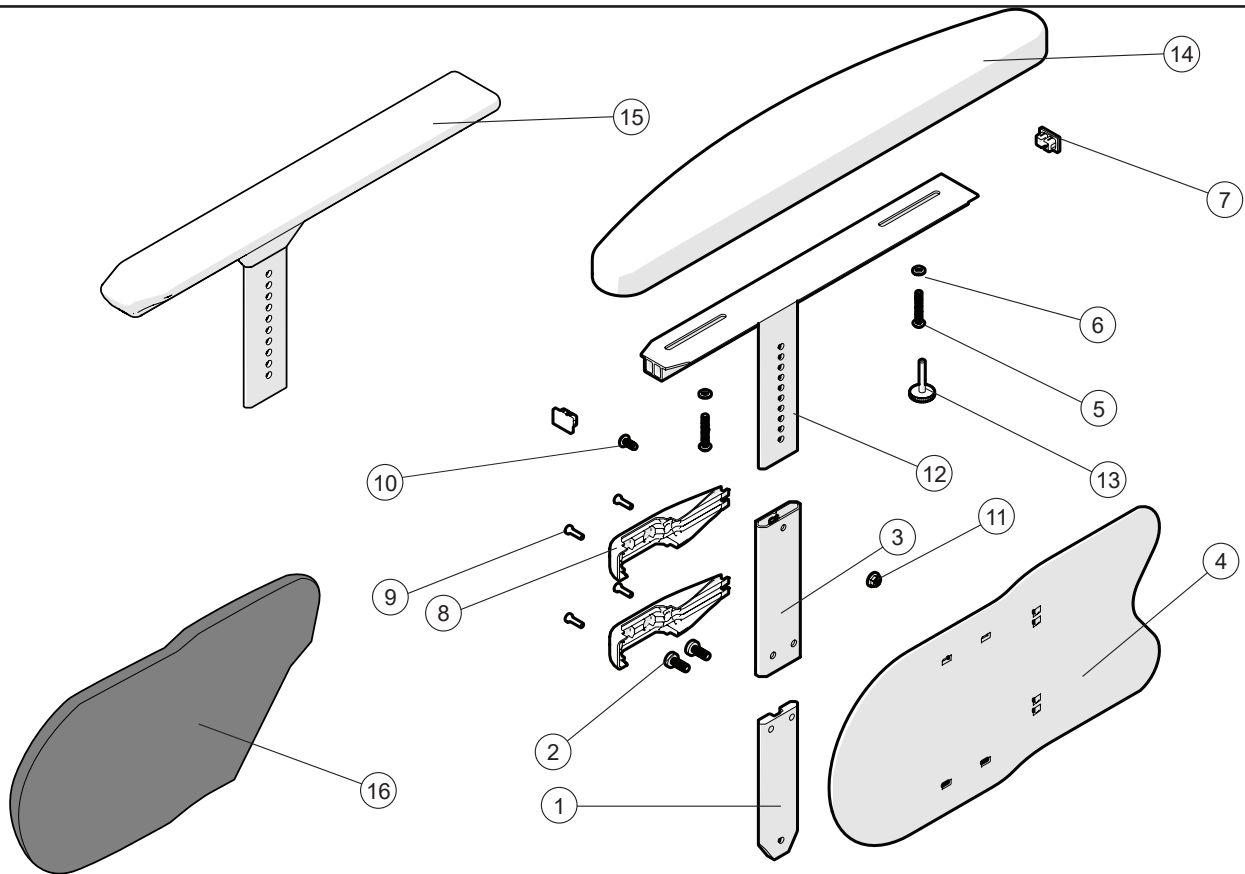


Prio
Prio AB
Prio 16"

Pos.	Description	Item no.
1	Seat solid lower 40 cm Prio	82777
	Seat solid lower 45 cm Prio	82778
	Seat solid lower 50 cm Prio	82779
	Seat solid lower 55 cm Prio	82780
	Seat solid lower 40 cm Prio plastic	51121
	Seat solid lower 45 cm Prio plastic	51122
	Seat solid lower 50 cm Prio plastic	51123
	Seat solid lower 55 cm Prio plastic	51124
2	Seat solid upper cpl 40 short Prio	82952
	Seat solid upper cpl 45 short Prio	82953
	Seat solid upper cpl 50 short Prio	82954
	Seat solid upper cpl 55 short Prio	82955
	Seat solid upper cpl 40 long Prio plastic	51125
	Seat solid upper cpl 45 long Prio plastic	51126
	Seat solid upper cpl 50 long Prio plastic	51127
	Seat solid upper cpl 55 long Prio plastic	51128
3	Screw M 6x 14 MC6LS SW5 Zn8/P4	11539
4	Fixing pin	51114
5	Velcro kit	28183

<input type="checkbox"/>	<input type="checkbox"/>	<input type="checkbox"/>
<input type="checkbox"/>	<input type="checkbox"/>	<input type="checkbox"/>
<input type="checkbox"/>	<input type="checkbox"/>	<input type="checkbox"/>
<input type="checkbox"/>	<input type="checkbox"/>	<input type="checkbox"/>
<input type="checkbox"/>	<input type="checkbox"/>	<input type="checkbox"/>
<input type="checkbox"/>	<input type="checkbox"/>	<input type="checkbox"/>
<input type="checkbox"/>	<input type="checkbox"/>	<input type="checkbox"/>
<input type="checkbox"/>	<input type="checkbox"/>	<input type="checkbox"/>
<input type="checkbox"/>	<input type="checkbox"/>	<input type="checkbox"/>
<input type="checkbox"/>	<input type="checkbox"/>	<input type="checkbox"/>
<input type="checkbox"/>	<input type="checkbox"/>	<input type="checkbox"/>
<input type="checkbox"/>	<input type="checkbox"/>	<input type="checkbox"/>
<input type="checkbox"/>	<input type="checkbox"/>	<input type="checkbox"/>
<input type="checkbox"/>	<input type="checkbox"/>	<input type="checkbox"/>
<input type="checkbox"/>	<input type="checkbox"/>	<input type="checkbox"/>
<input type="checkbox"/>	<input type="checkbox"/>	<input type="checkbox"/>
<input type="checkbox"/>	<input type="checkbox"/>	<input type="checkbox"/>
<input type="checkbox"/>	<input type="checkbox"/>	<input type="checkbox"/>

Arm support



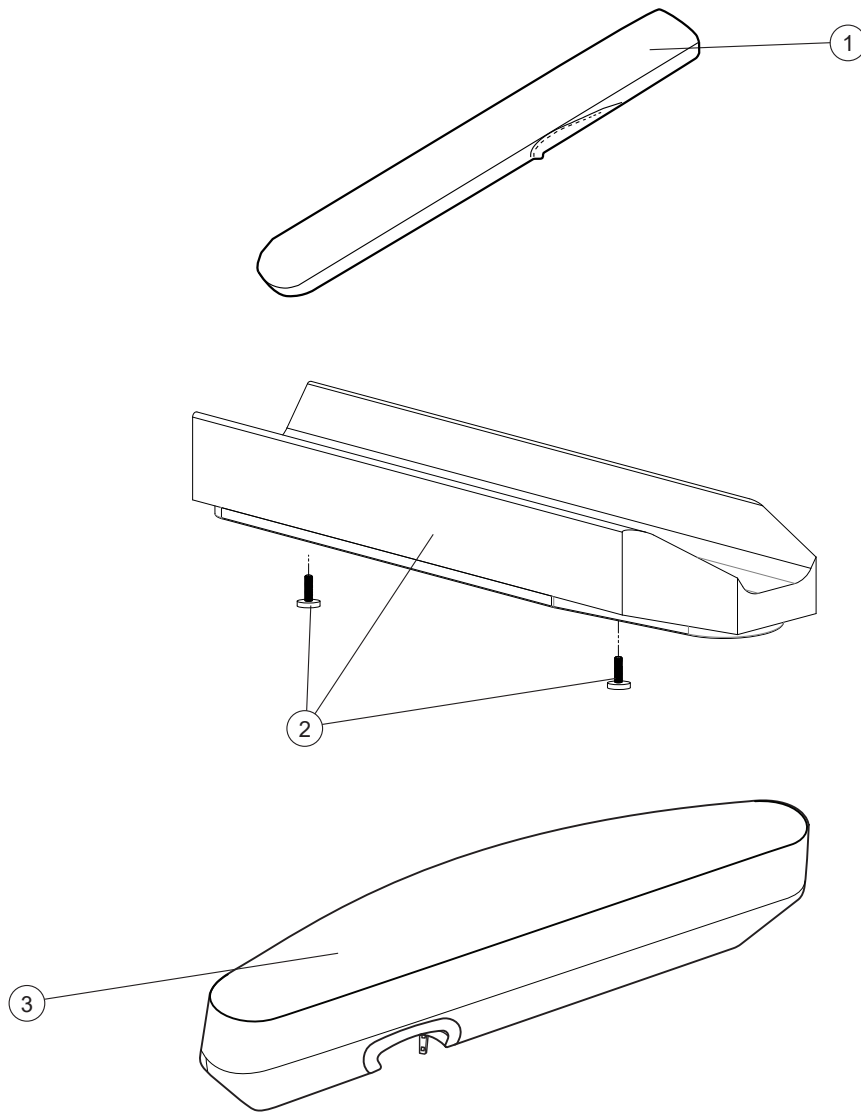
Pos.	Description	Item no.			
1-14	Arm support telescope L49 ri	28827-1	●	●	●
	Arm support telescope L49 le	28827-2	●	●	●
	Arm support telescope L49 ri fingerscrew	28828-1	●	●	●
	Arm support telescope L49 le fingerscrew	28828-2	●	●	●
1-13, 15	Arm support telescope L38 ri	28826-1	●	●	●
	Arm support telescope L38 le	28826-2	●	●	●
1-13	Arm support telescope without cushion ri	28832-1	●	●	●
	Arm support telescope without cushion le	28832-2	●	●	●
1	Profile		●	●	●
2	Screw		●	●	●
3	Profile sleeve		●	●	●
4	Side guard	51256	●	●	●
5	Screw M5x30	11446	●	●	●
6	Joint bushing	50285	●	●	●
7	End cap	51195	●	●	●
8	Clamp side guard	51208	●	●	●
9	Screw K40x14	11419	●	●	●
10	Screw M6x12 MC6S 8.8 zink plated	11577	●	●	●
11	Locking nut M6 zink plated DIN 985-6	12017	●	●	●
12	Arm support profile ri		●	●	●
	Arm support profile le		●	●	●
13	Fingerscrew	83803	●	●	●
14	Arm support cushion	83266	●	●	●
15	Arm support solid plate ri		●	●	●
	Arm support solid plate le		●	●	●
16	Padding side guard ri	63271-1	●	●	●
	Padding side guard le	63271-2	●	●	●

Prio

Prio AB

Prio 16"

Arm support



Pos.	Description	Item no.
1	Cover arm support long	62283-60
	Cover arm support gel long	26241-60
	Cover arm support long Dartex	62283-63
	Cover arm support gel long Dartex	26241-63
2	Arm support pad soft wide incl screw	28640
3	Arm support pad Prio ri	63193-60-1
	Arm support pad Prio le	63193-60-2

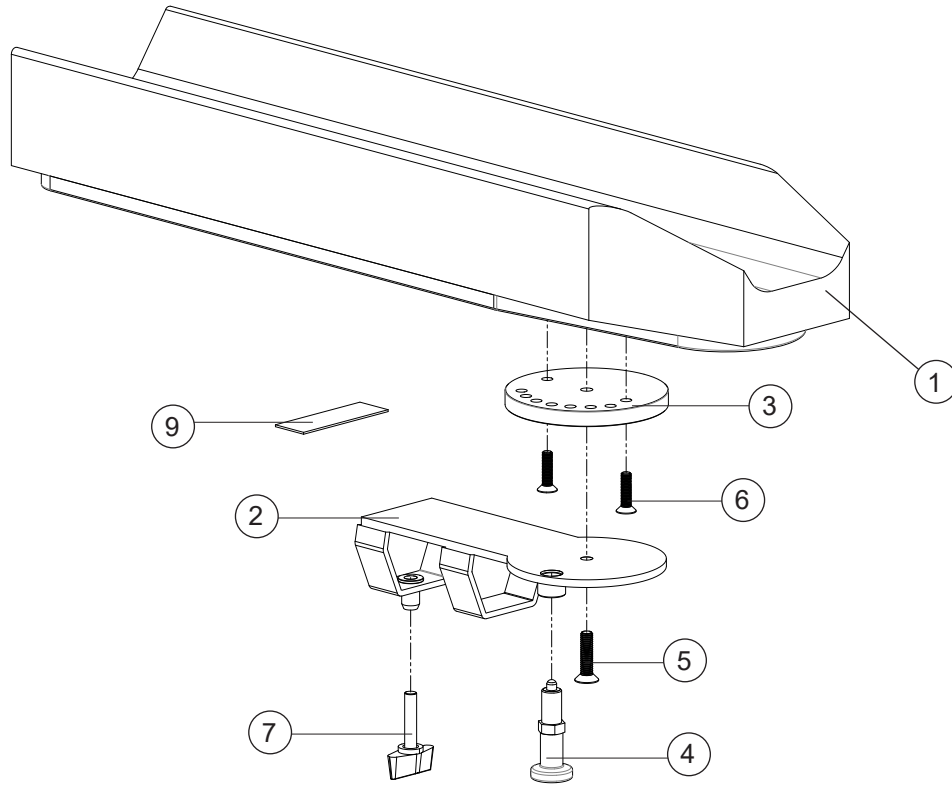
Prio

Prio AB

Prio 16"

●	●	●
●	●	●
●	●	●
●	●	●
●	●	●
●	●	●

Arm support Hemi

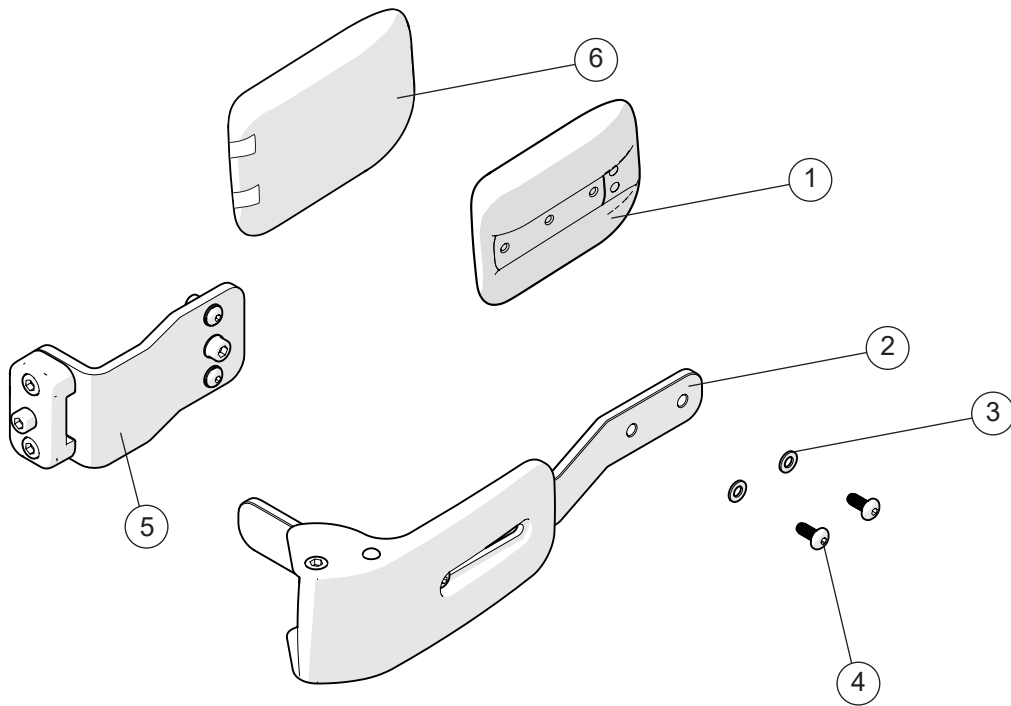


Pos.	Description	Item. no.
1-7	Arm support pad hemi right	25770-60-1
	Arm support pad hemi left	25770-60-2
1	Arm support pad hemi	62910-60
2	Attachment arm support hemi right	27265-1
	Attachment arm support hemi left	27265-2
3	Turntable right	27280-1
	Turntable left	27280-2
4	Adjusting bolt M10x1	82338
5	Screw M6x25 MF6S svkr esloc	11430
6	Screw M5x20 MF6S black chrome	11526
7	Handle M6x30	82033

Prio
Prio AB
Prio 16"

●	●	●
●	●	●
●	●	●
●	●	●
●	●	●
●	●	●
●	●	●
●	●	●

Trunk support



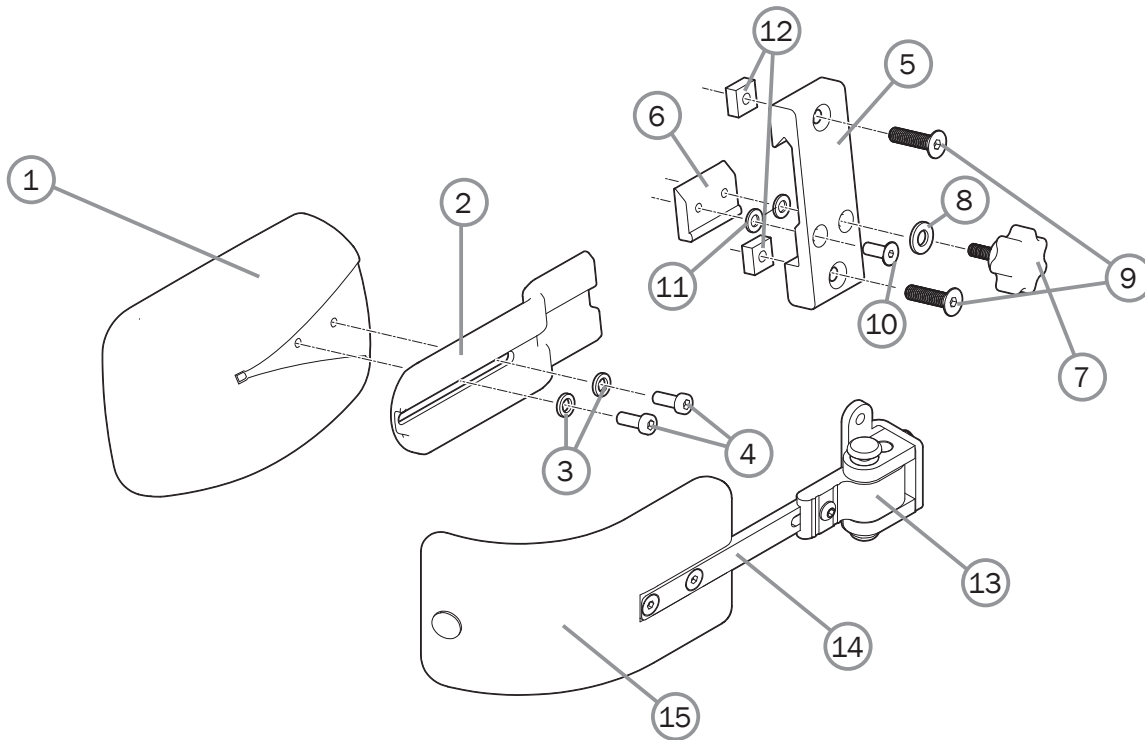
Pos.	Description	Item. no.
1-5	Trunk support Prio incl attachment right	28181-1
	Trunk support Prio incl attachment left	28181-2
	Trunk support Prio incl attachment right -15 mm	28180-1
	Trunk support Prio incl attachment left -15 mm	28180-2
	Trunk support Prio incl attachment right -45 mm	28141-1
	Trunk support Prio incl attachment left -45 mm	28141-1
1	Trunk support pad	83005
2	Trunk support arm	
3	Washer 5.3x10x1 BRB DIN 125	13017
4	Screw M 5x 12 K6S 10.9	11208
5	Trunk support attachment 3A compl	28146
6	Cover trunk support	28647

See page 36 for different bars

Prio
Prio AB
Prio 16"

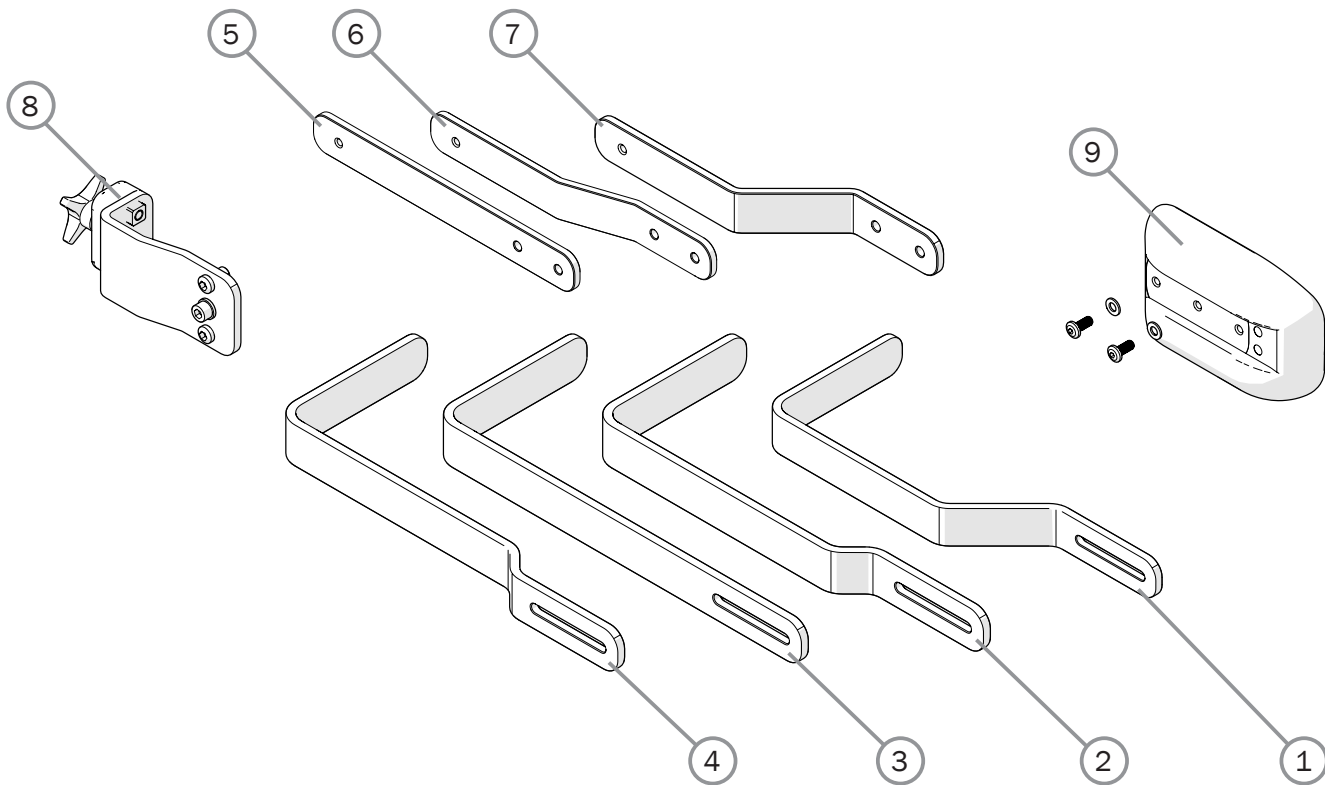
●	●	●
●	●	●
●	●	●
●	●	●
●	●	●
●	●	●
●	●	●
●	●	●
●	●	●
●	●	●

Trunk support



Pos.	Description	Item. no.	Prio	Prio AB	Prio 16"
1-12	Trunk support Cross back mod 3 incl attachment	27395	●	●	●
1	Trunk supp pad curved small Dartex Cross back mod 3	82491	●	●	●
2	Bracket trunk support	82507	●	●	●
3	Spring washer 6.1x9.9x1.6 DIN 7980	13014	●	●	●
4	Screw M 5x 12 K6S 10.9 zink plated	11208	●	●	●
5	Attachment arm support Elite/Sting without screws	80403	●	●	●
6	Locking plate arm support	80292	●	●	●
7	Knob M 5x15 leg support amputee Cross	80807	●	●	●
8	Washer BRB 5.3x15x1.2 black	13004	●	●	●
9	Screw M 6x 25 MF6S black esloc	11430	●	●	●
10	Screw M 5x 14 MF6S 10.9 black	11237	●	●	●
11	Washer 5.3x 10x 0.5m DIN 137A zink plated	13026	●	●	●
12	Nut M 6 FK4M	12166	●	●	●
13	Attachment trunk support swing away R compl	27947-1	●	●	●
	Attachment trunk support swing away L compl	27947-2	●	●	●
14	Bar trunk support swing away L straight 12	27948	●	●	●
15	Cushion trunk support medium bent black H 6.5 L 17	27949	●	●	●
	Cushion trunk support large bent black H 9 cm L 19	27950	●	●	●

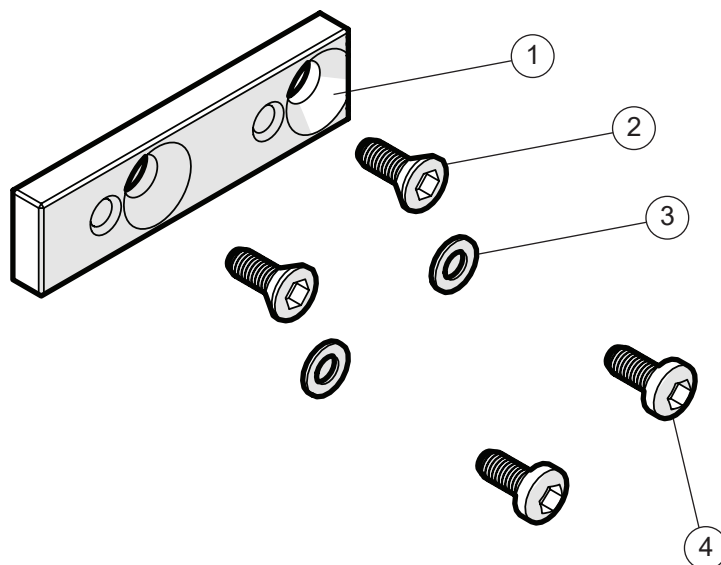
Trunk support



Pos.	Description	Item. no.
1	Trunk support bar -45 mm	83002
2	Trunk support bar -15 mm	83017
3	Trunk support bar 0 mm	83018
4	Trunk support bar +15 mm	83019
5	Trunk support bar ssb -0 mm	83046
6	Trunk support bar ssb -15 mm	83045
7	Trunk support bar ssb -45 mm	83001
8	Trunk support attachment 3A compl	28146
9	Trunk support pad straight compl	28276

Prio	Prio AB	Prio 16"
●	●	●
●	●	●
●	●	●
●	●	●
●	●	●
●	●	●
●	●	●
●	●	●
●	●	●

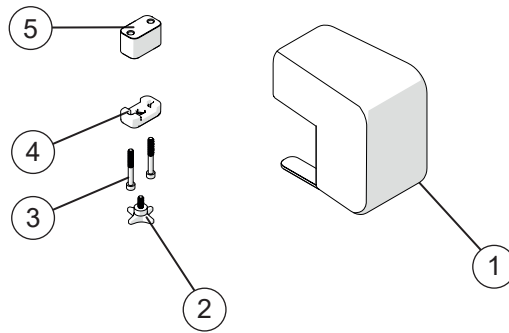
Trunk support attachment



Pos.	Description	Item. no.
1-4	Adapterkit trunk support cushion R82	28240
1	Trunk support adapter	83160
2	Screw	11592
3	Washer 5.3x10x1 BRB fzb DIN 125	13017
4	Screw M 5x 12 K6S 10.9	11208

Prio	Prio AB	Prio 16"
●	●	●
●	●	●
●	●	●
●	●	●
●	●	●

Leg abduction



Pos.	Description	Item. no.
1-5	Leg abduction compl	28022
1	Leg abduction	28194
2	Knob 40 M6x17	80297
3	Screw	11037
4	Bracket	28305-01
5	Spacer	83042

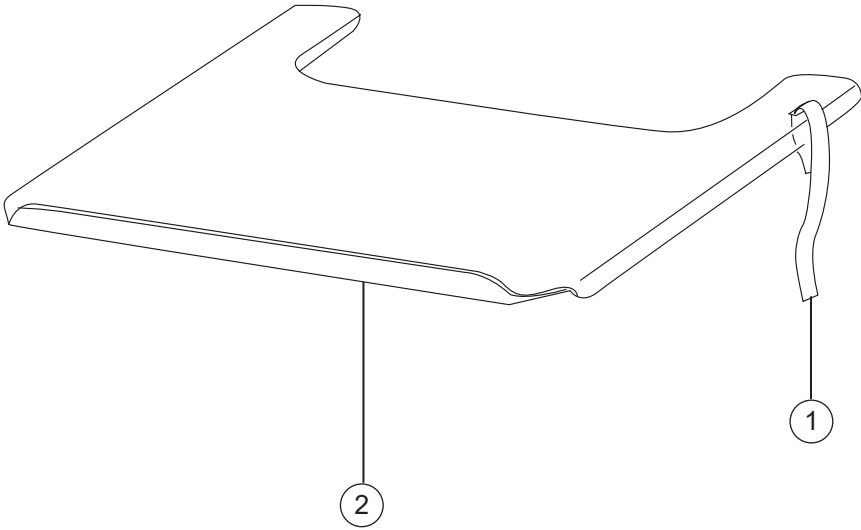
Prio

Prio AB

Prio 16"

●	●	●
●	●	●
●	●	●
●	●	●
●	●	●

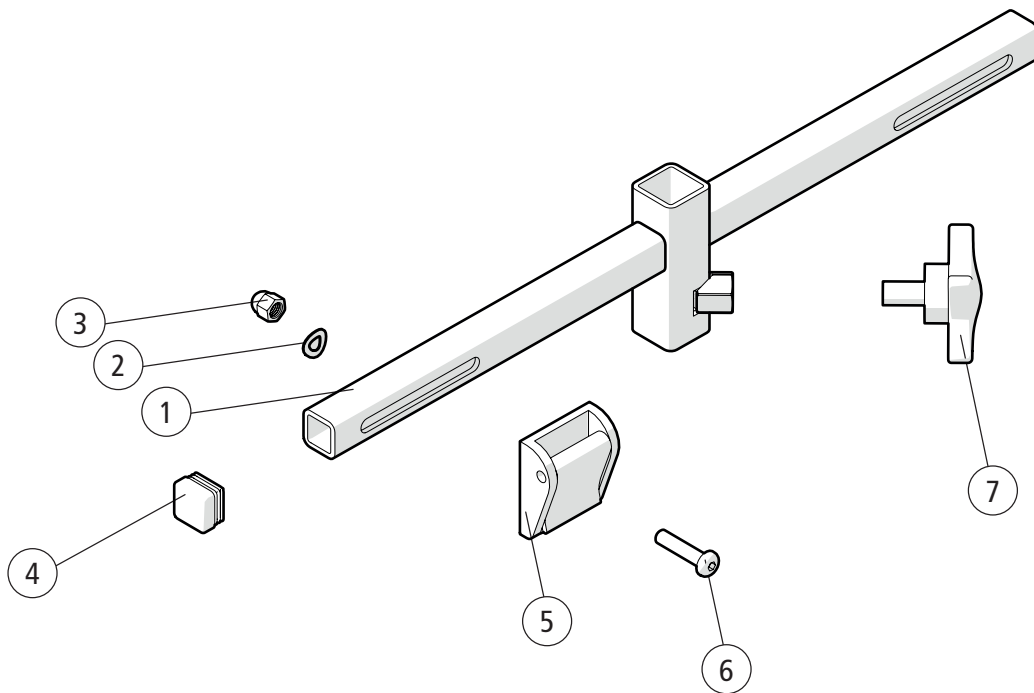
Tray



	Prio	Prio AB	Prio 16"
	●	●	●
	●	●	●
	●	●	●
	●	●	●

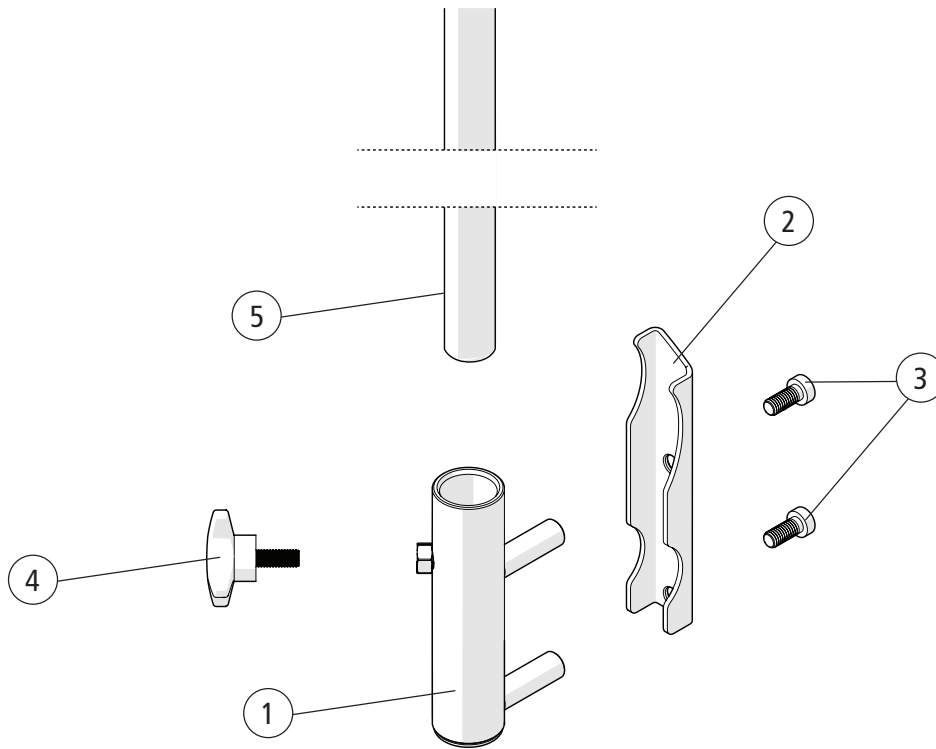
Pos.	Description	Item no.
1	Attachment strap tray	82921
1-2	Tray Prio 40 cm table width 57.5 cm	27971
	Tray Prio 45 cm table width 62.5 cm	27972
	Tray Prio 50 cm table width 67.5 cm	27973
	Tray Prio 55 cm table width 72.5 cm	27974

Attachment harness



Pos.	Description	Item. no.	Prio	Prio AB	Prio 16"
1-7	Attachment harness cpl	28186	●	●	●
1	Attachment harness		●	●	●
2	Washer D10x5.3x0.5	13017	●	●	●
3	Domed nut M5	12167	●	●	●
4	End plug	50972	●	●	●
5	Fix lock 25 mm	310445025	●	●	●
6	Screw M 5x 22 MK6S fzb	11075	●	●	●
7	Knob	400118	●	●	●

Drip stand



Pos.	Description	Item. no.
1-5	Drip stand cpl	28341
1-4	Attachment	28318
1	Drip stand welded Prio	
2	Bracket	
3	Screw M 6x 14 MC6LS SW5 Zn8/P4	11539
4	Knob	80297
5	Hook drip stand	83053

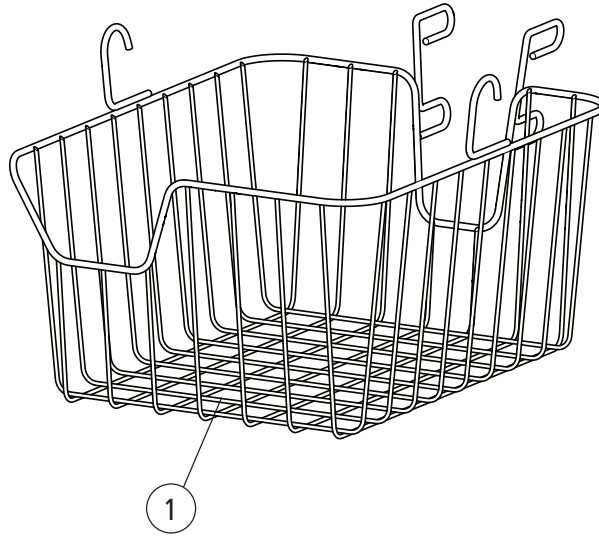
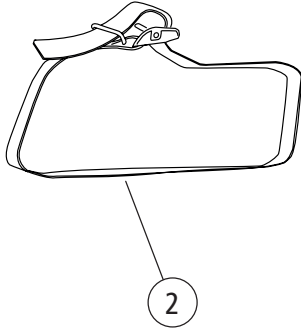
Prio

Prio AB

Prio 16"

●	●	●
●	●	●
●	●	●
●	●	●
●	●	●
●	●	●

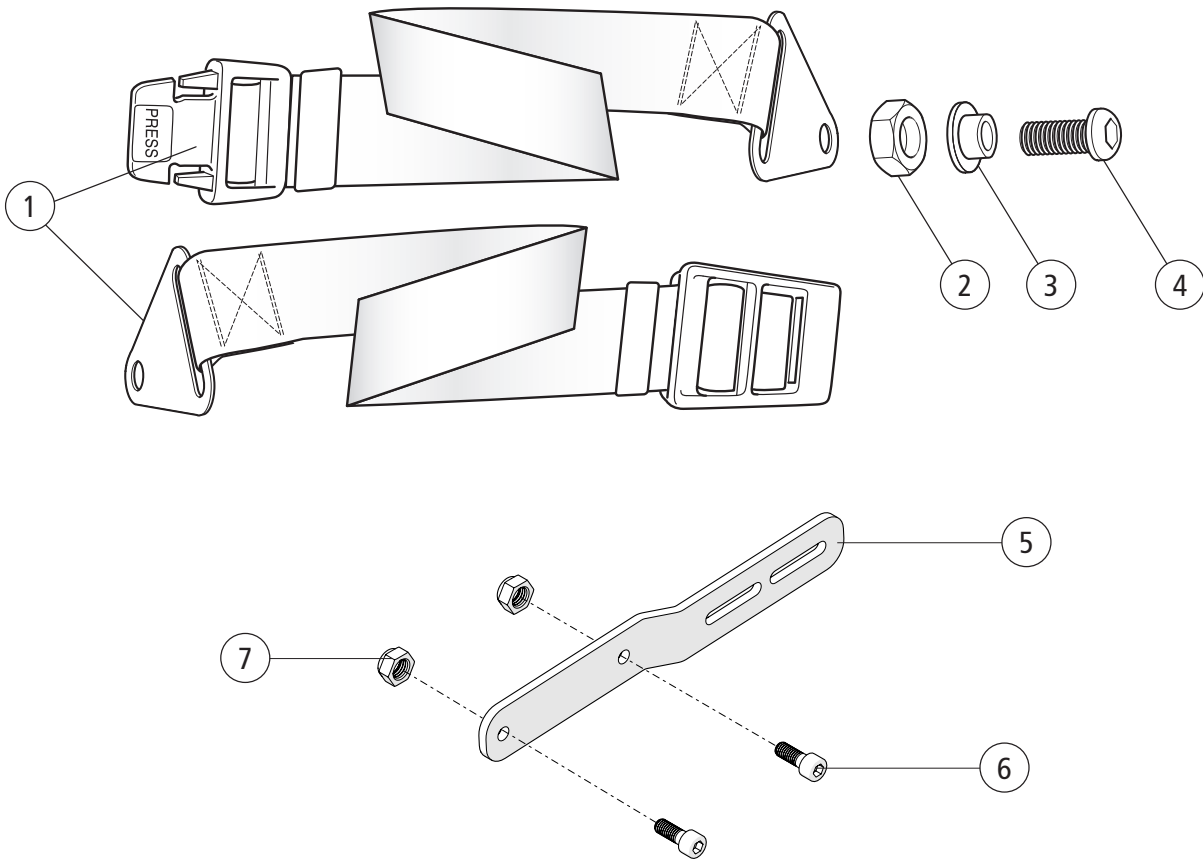
Basket



Prio
Prio AB
Prio 16"

Pos.	Description	Item. no.			
1-2	Basket compl Prio	28316	●	●	●
1	Basket		●	●	●
2	Strap	80459	●	●	●

Positioning belt



Pos.	Description	Item no.
1-4	Positioning belt lenght 100 mm	27904
	Positioning belt lenght 128 mm	28544
2	Locking nut M 6	
3	Spacer positioning belt	
4	Screw M 6x 14 K6S	
5-7	Attachment positioning belt	28641
6	Screw M6x16 MC6S 12.9	11253
7	Locking nut M6	12035

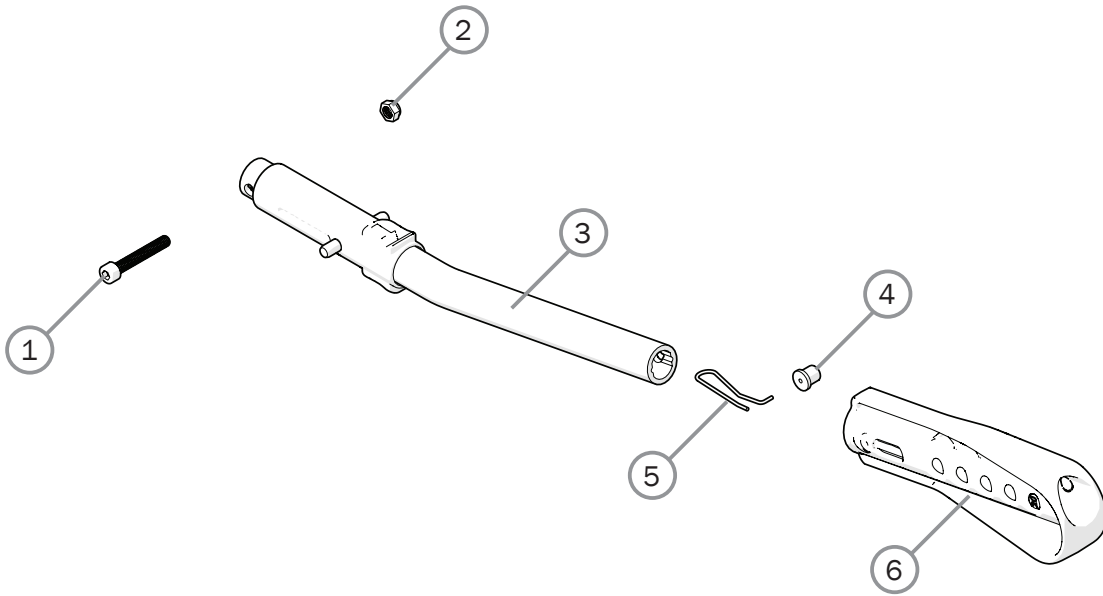
Prio

PrioAB

Prio 16"

●	●	●
●	●	●
●	●	●
●	●	●
●	●	●
●	●	●
●	●	●

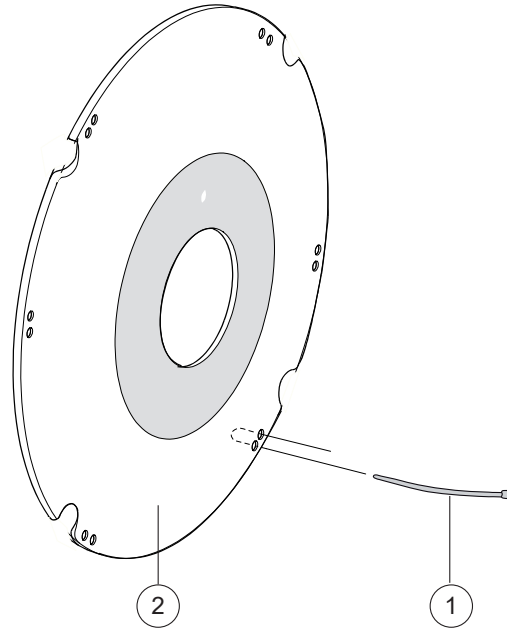
Anti tip



Pos.	Description	Item no.
1-6	Anti-tip multi Cross 5/6 Prio cc 59 cpl	28457
1	Screw M6x 40 MC6S 10.9 zink plated	11229
2	Locking nut M6	12017
3	Anti-tip tube	
4	Pin	
5	Spring	
6	Anti-tip extension multi	51201

Prio	Prio AB	Prio 16"
●	●	●
●	●	●
●	●	●
●	●	●
●	●	●

Spoke guard

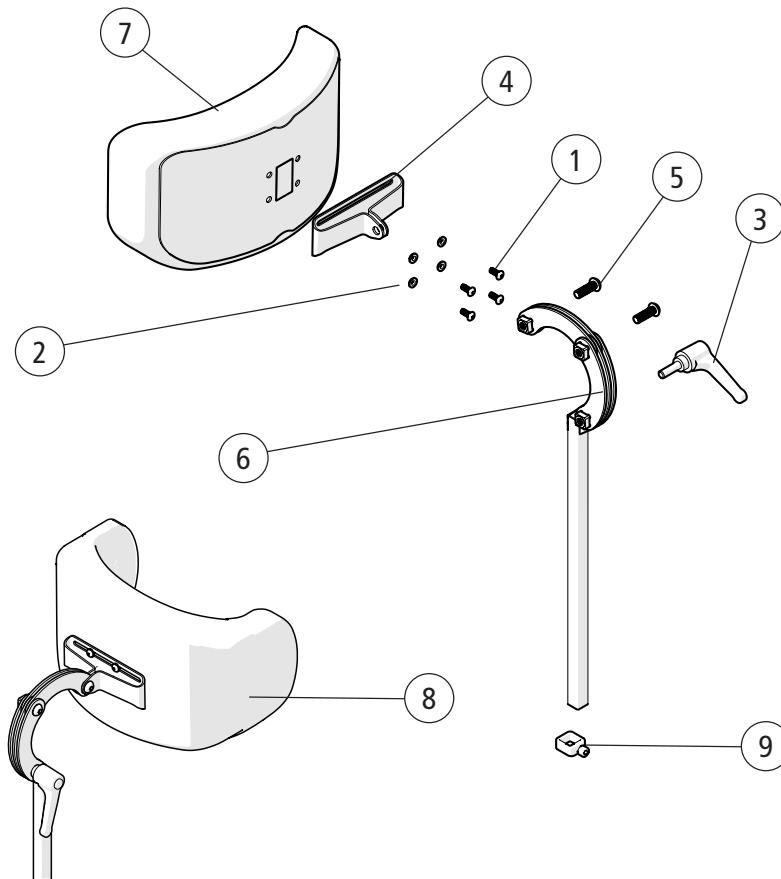


Prio
 Prio AB
 Prio 16"

Pos.	Description	Item no.
1	Attachment kit spokeguard	26276
1-2	Spoke guard 20" with logo Etac grey	25502-28
	Spoke guard 20" AB with logo Etac grey	28816-28
	Spoke guard 22" with logo Etac grey	25503-28
	Spoke guard 22" with logo Etac yellow	25503-29
	Spoke guard 22" AB with logo Etac grey	28817-28
	Spoke guard 24" with logo Etac grey	25504-28
	Spoke guard 24" with logo Etac yellow	25504-29
	Spoke guard 24" AB with logo Etac grey	28818-28

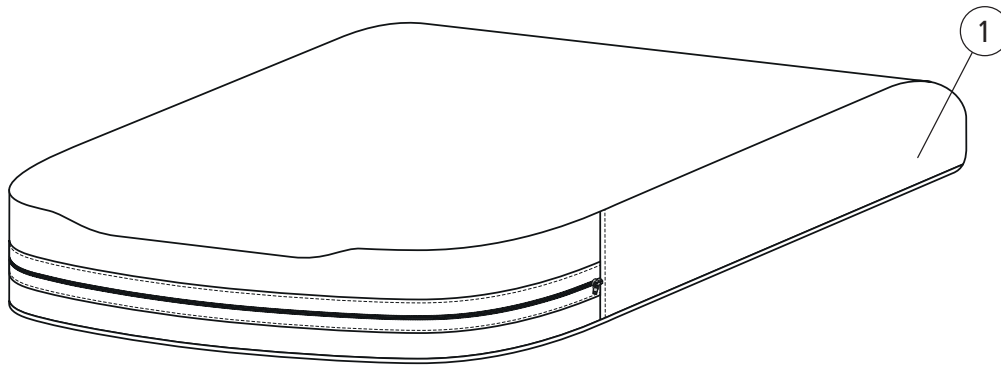
●	●	
●	●	
●	●	
●	●	
●	●	
●	●	
●	●	

Head support



Pos.	Description	Item no.	Prio	Prio AB	Prio 16"
1	Screw M5x16 MRX	11208	●	●	●
2	Joint bushing	50285	●	●	●
3	Handle M8x25 mm black	80684	●	●	●
4	Attachment head support	83288	●	●	●
5	Screw M8x25	11706	●	●	●
6	Tube Hold Neckrest L 350	28533	●	●	●
1-6	Head support angle adj plush	28534-60	●	●	●
	Head support angle adj hygiene	28534-65	●	●	●
	Head support with side support compl grey hygiene	28536-65	●	●	●
7	Överdrag huvudstöd trad plysch	63177-60	●	●	●
	Överdrag huvudstöd trad hygien	63177-65	●	●	●
8	Överdrag huvudstöd med sidostöd	63185-65	●	●	●
9	Memory function head support	28564	●	●	●

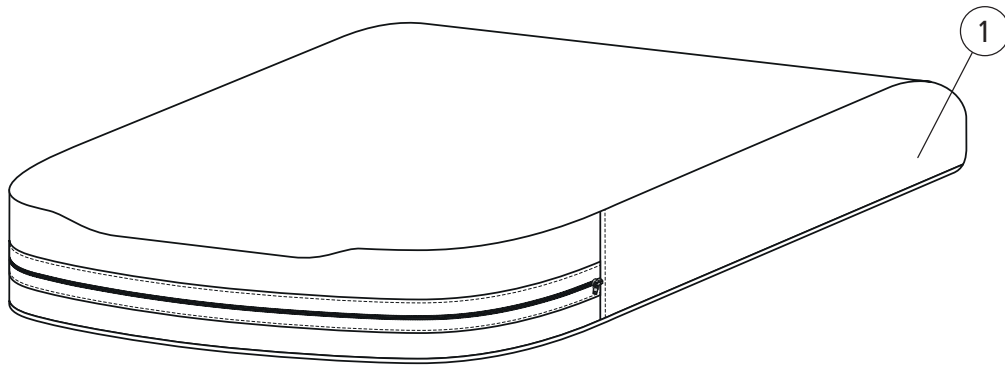
Seat cushion



Pos.	Description	Item no.			
1	Seat cushion Prio 40 cm short STD plush	27751-60	●	●	●
	Seat cushion Prio 40 cm short STD hygiene grey	27751-65	●	●	●
	Seat cushion Prio 45 cm short STD plush	27752-60	●	●	●
	Seat cushion Prio 45 cm short STD hygiene grey	27752-65	●	●	●
	Seat cushion Prio 50 cm short STD plush	27753-60	●	●	●
	Seat cushion Prio 50 cm short STD hygiene grey	27753-65	●	●	●
	Seat cushion Prio 55 cm short STD plush	27754-60	●	●	●
	Seat cushion Prio 55 cm short STD hygiene grey	27754-65	●	●	●
	Seat cushion Prio 40 cm short comfort plush	27755-60	●	●	●
	Seat cushion Prio 40 cm short comfort hygiene grey	27755-65	●	●	●
	Seat cushion Prio 45 cm short comfort plush	27756-60	●	●	●
	Seat cushion Prio 45 cm short comfort hygiene grey	27756-65	●	●	●
	Seat cushion Prio 50 cm short comfort plush	27757-60	●	●	●
	Seat cushion Prio 50 cm short comfort hygiene grey	27757-65	●	●	●
	Seat cushion Prio 55 cm short comfort plush	27758-60	●	●	●
	Seat cushion Prio 55 cm short comfort hygiene grey	27758-65	●	●	●
	Seat cushion Prio short hygiene std Tidy 40 cm	28055-65	●	●	●
	Seat cushion Prio short hygiene std Tidy 45 cm	28056-65	●	●	●
	Seat cushion Prio short hygiene std Tidy 50 cm	28057-65	●	●	●
	Seat cushion Prio short hygiene std Tidy 55 cm	28058-65	●	●	●

Prio
Prio AB
Prio 16"

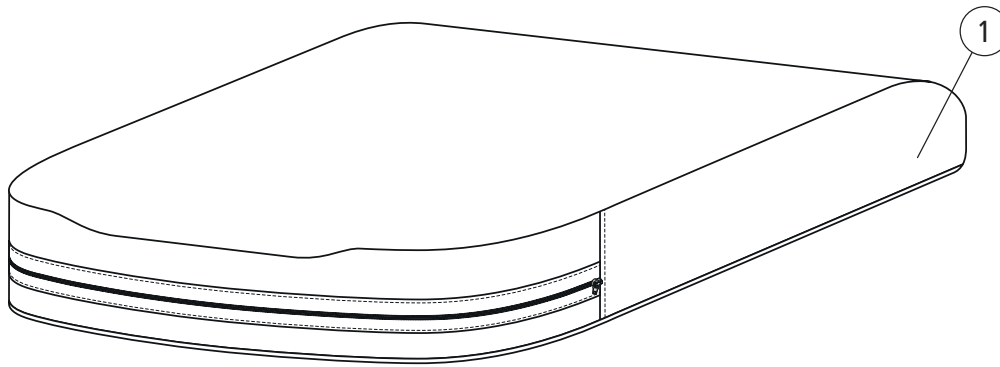
Seat cushion



Pos.	Description	Item no.			
	Seat cushion Prio 40 cm long STD plush	27759-60	●	●	●
	Seat cushion Prio 40 cm long STD hygiene grey	27759-65	●	●	●
	Seat cushion Prio 45 cm long STD plush	27760-60	●	●	●
	Seat cushion Prio 45 cm long STD hygiene grey	27760-65	●	●	●
	Seat cushion Prio 50 cm long STD plush	27761-60	●	●	●
	Seat cushion Prio 50 cm long STD hygiene grey	27761-65	●	●	●
	Seat cushion Prio 55 cm long STD plush	27762-60	●	●	●
	Seat cushion Prio 55 cm long STD hygiene grey	27762-65	●	●	●
	Seat cushion Prio 40 cm long comfort plush	27763-60	●	●	●
	Seat cushion Prio 40 cm long comfort hygiene grey	27763-65	●	●	●
	Seat cushion Prio 45 cm long comfort plush	27764-60	●	●	●
	Seat cushion Prio 45 cm long comfort hygiene grey	27764-65	●	●	●
	Seat cushion Prio 50 cm long comfort plush	27765-60	●	●	●
	Seat cushion Prio 50 cm long comfort hygiene grey	27765-65	●	●	●
	Seat cushion Prio 55 cm long comfort plush	27766-60	●	●	●
	Seat cushion Prio 55 cm long comfort hygiene grey	27766-65	●	●	●
	Seat cushion Prio long hygiene std Tidy 40 cm	28059-65	●	●	●
	Seat cushion Prio long hygiene std Tidy 45 cm	28060-65	●	●	●
	Seat cushion Prio long hygiene std Tidy 50 cm	28061-65	●	●	●
	Seat cushion Prio long hygiene std Tidy 55 cm	28062-65	●	●	●

Prio
 Prio AB
 Prio 16"

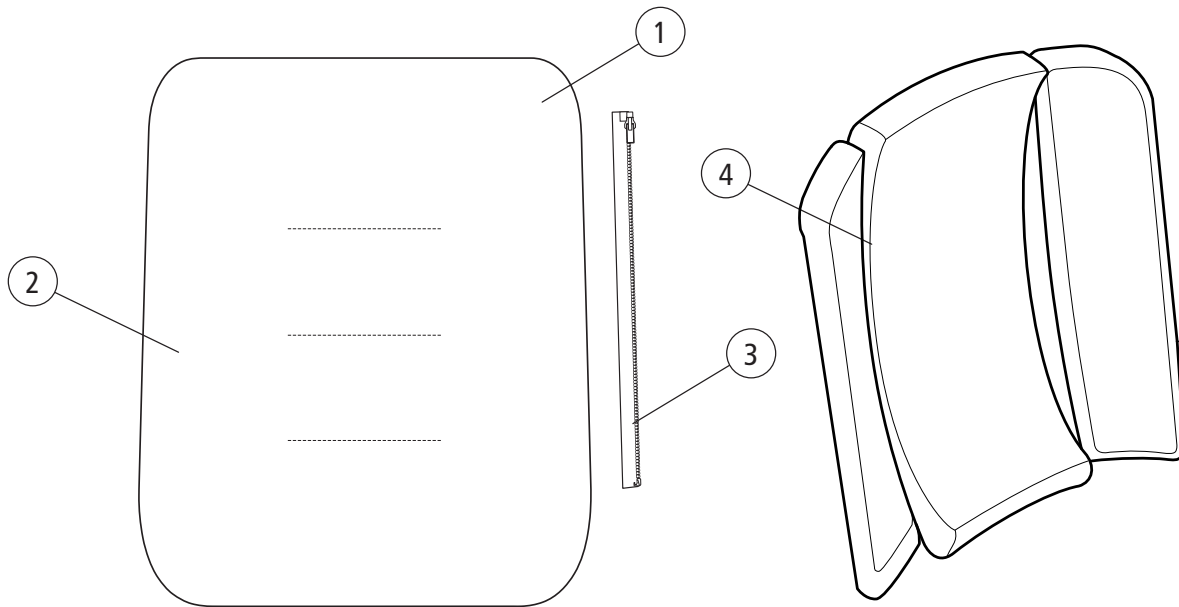
Seat cushion - Cover



Pos.	Description	Item no.			
1	Cover seat cushion 40 (16) short plush Prio	63060-60	●	●	●
	Cover seat cushion 40 (16) short hygiene grey Prio	63060-65	●	●	●
	Cover seat cushion 45 (18) short plush Prio	63061-60	●	●	●
	Cover seat cushion 45 (18) short hygiene grey Prio	63061-65	●	●	●
	Cover seat cushion 50 (20) short plush Prio	63062-60	●	●	●
	Cover seat cushion 50 (20) short hygiene grey Prio	63062-65	●	●	●
	Cover seat cushion 55 (22) short plush Prio	63063-60	●	●	●
	Cover seat cushion 55 (22) short hygiene grey Prio	63063-65	●	●	●
	Cover seat cushion 40 (16) long plush Prio	63064-60	●	●	●
	Cover seat cushion 40 (16) long hygiene grey Prio	63064-65	●	●	●
	Cover seat cushion 45 (18) long plush Prio	63065-60	●	●	●
	Cover seat cushion 45 (18) long hygiene grey Prio	63065-65	●	●	●
	Cover seat cushion 50 (20) long plush Prio	63066-60	●	●	●
	Cover seat cushion 50 (20) long hygiene grey Prio	63066-65	●	●	●
	Cover seat cushion 55 (22) long plush Prio	63067-60	●	●	●
	Cover seat cushion 55 (22) long hygiene grey Prio	63067-65	●	●	●
	Cover seat 40 short Tidy	63159-65	●	●	●
	Cover seat 45 short Tidy	63160-65	●	●	●
	Cover seat 50 short Tidy	63161-65	●	●	●
	Cover seat 55 short Tidy	63162-65	●	●	●
Cover seat 40 long Tidy	63163-65	●	●	●	
Cover seat 45 long Tidy	63164-65	●	●	●	
Cover seat 50 long Tidy	63165-65	●	●	●	
Cover seat 55 long Tidy	63166-65	●	●	●	

Prio
 Prio AB
 Prio 16"

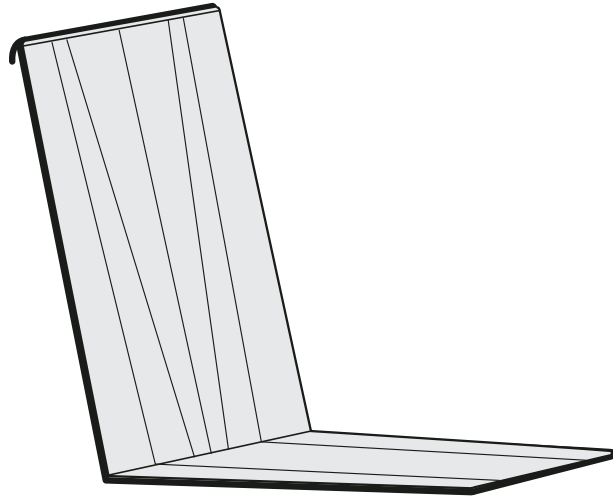
Back support cushion



Prio
Prio AB
Prio 16"

Pos.	Description	Item no.			
1	Back support cushion 40 cm plush Prio excl zipper	28410-60	●	●	●
	Back support cushion 40 cm hygiene Prio grey excl zipper	28410-65	●	●	●
	Back support cushion 45 cm plush Prio excl zipper	28411-60	●	●	●
	Back support cushion 45 cm hygiene Prio grey excl zipper	28411-65	●	●	●
	Back support cushion 50 cm plush Prio excl zipper	28412-60	●	●	●
	Back support cushion 50 cm hygiene Prio grey excl zipper	28412-65	●	●	●
	Back support cushion 55 cm plush Prio excl zipper	28413-60	●	●	●
	Back support cushion 55 cm hygiene Prio grey excl zipper	28413-65	●	●	●
2	Cover back support plush Prio 40 cm grey excl zipper	63230-60	●	●	●
	Cover back support hygiene Prio 40 cm grey excl zipper	63230-65	●	●	●
	Cover back support plush Prio 45 cm grey excl zipper	63231-60	●	●	●
	Cover back support hygiene Prio 45 cm grey excl zipper	63231-65	●	●	●
	Cover back support plush Prio 50 cm grey excl zipper	63232-60	●	●	●
	Cover back support hygiene Prio 50 cm grey excl zipper	63232-65	●	●	●
	Cover back support plush Prio 55 cm grey excl zipper	63233-60	●	●	●
	Cover back support hygiene Prio 55 cm grey excl zipper	63233-65	●	●	●
3	Velcro attachment back Prio	83188	●	●	●
4	Back support cushion B40 3D plush	63343-60	●	●	●
	Back support cushion B45 3D plush	63344-60	●	●	●
	Back support cushion B50 3D plush	63345-60	●	●	●
	Back support cushion B55 3D plush	63346-60	●	●	●

Back support cover



Pos.	Description	Item no.
1	Back support cover W40 cm plush	63200-60
	Back support cover W45 cm plush	63201-60
	Back support cover W50 cm plush	63202-60
	Back support cover W55 cm plush	63203-60

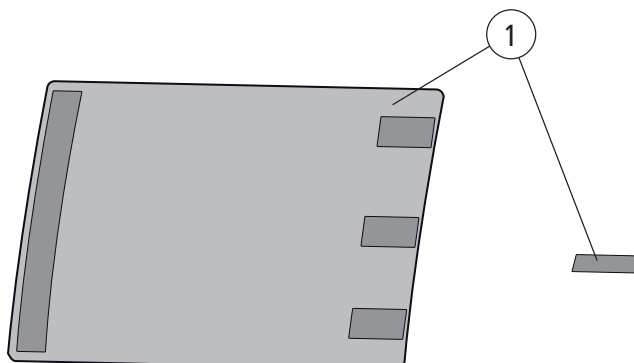
Prio

Prio AB

Prio 16"

●	●	●
●	●	●
●	●	●
●	●	●

Extension back support upholstery



Pos.	Description	Item. No.
1	Extension back support upholstery	28657

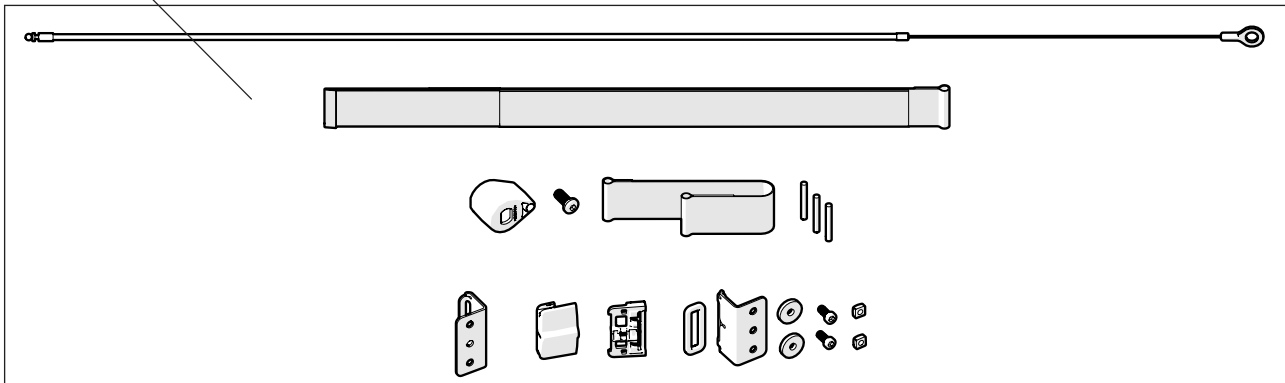
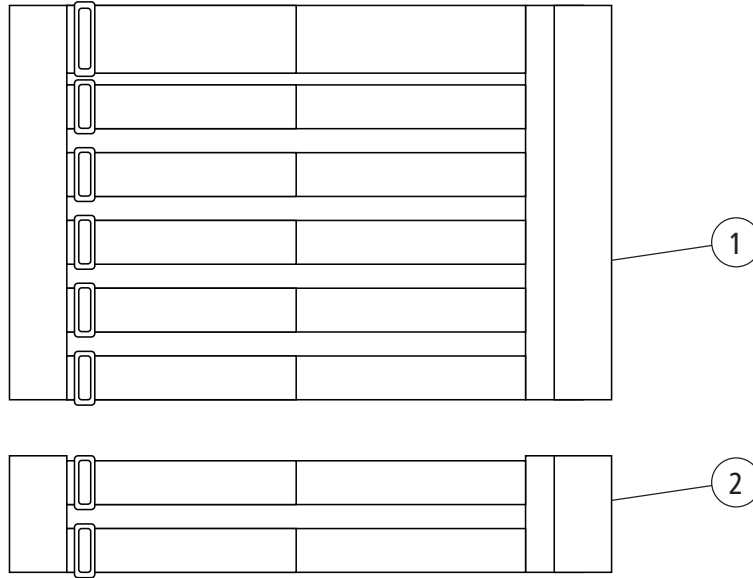
Prio

Prio AB

Prio 16"



Back support upholstery



Pos.	Description	Item no.
1	Upholstery back 3A rb 40-45 cm	62954-60
	Upholstery back 3A rb 50-55 cm	62955-60
2	Upholstery back 3A rb lower 40-45 cm	63337-60
	Upholstery back 3A rb lower 50-55 cm	63338-60
3	Dynamic pelvic support Prio 40 cm	28704
	Dynamic pelvic support Prio 45 cm	28705
	Dynamic pelvic support Prio 50/55 cm	28999

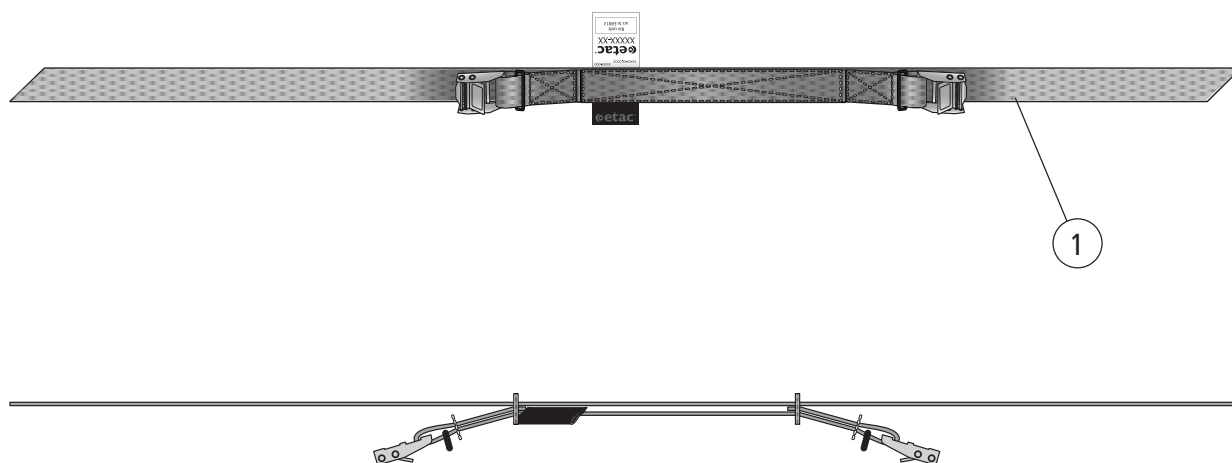
Prio

Prio AB

Prio 16"

●	●	●
●	●	●
●	●	●
●	●	●
●	●	●
●	●	●

Back angle control



Pos.	Description	Item no.
1	Back angle control cpl	28573

Prio

Prio AB

Prio 1G"

