

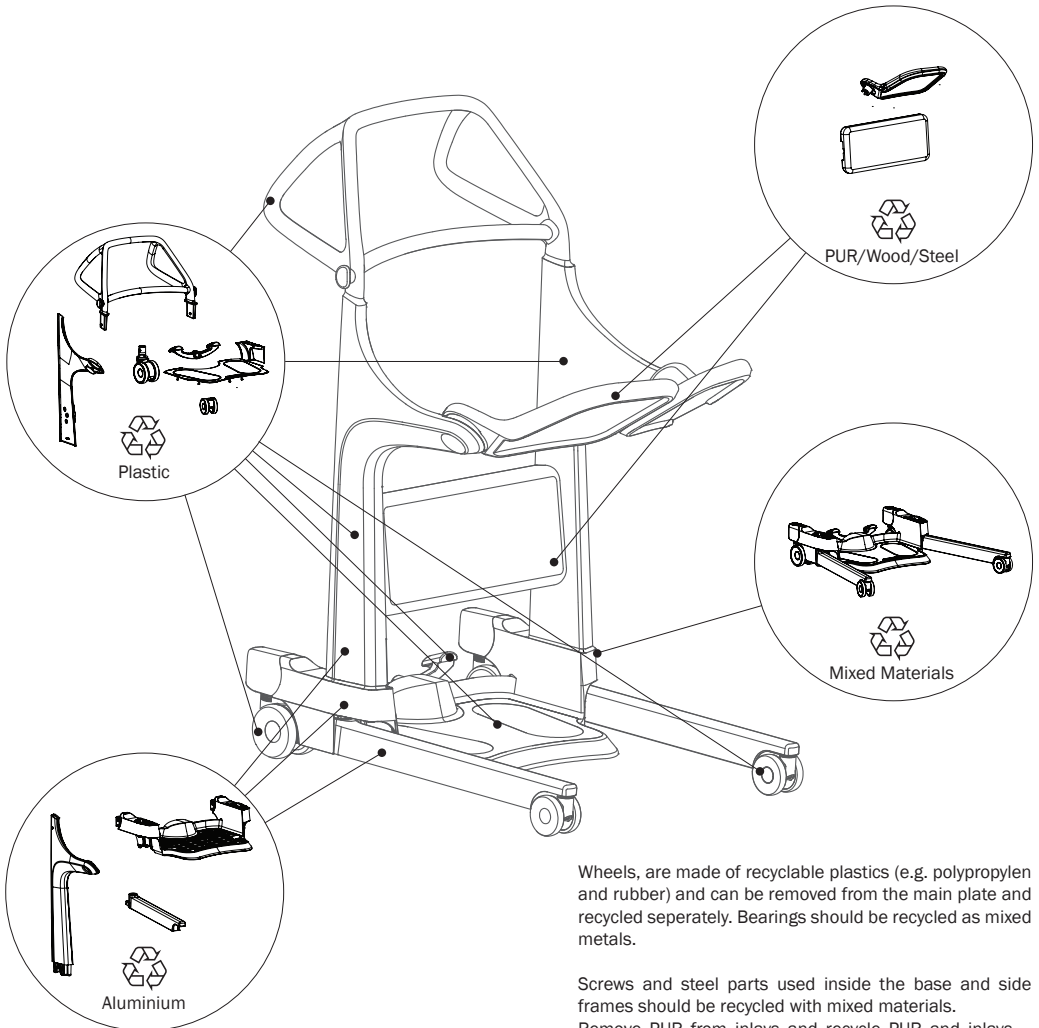


Recycling Instruction - EN

Molift Transfer Pro

molift[®]
by Etac

RI70199 - 2024-02-09 - Rev. 1.0



Wheels, are made of recyclable plastics (e.g. polypropylen and rubber) and can be removed from the main plate and recycled separately. Bearings should be recycled as mixed metals.

Screws and steel parts used inside the base and side frames should be recycled with mixed materials.

Remove PUR from inlays and recycle PUR and inlays - Wood/Steel - separately.



www.etac.com





Etac Ltd.

Unit 60, Hartlebury Trading Estate,
Hartlebury, Kidderminster,
Worcestershire, DY10 4JB
+44 121 561 2222



Sodimed SA

Ch. Praz-Devant 12
CH-1032 Romanel-sur-Lausanne
+41 58 911 06 06



Etac A/S

Parallevej 3
DK-8751 Gedved



+45 796 858 33



patienthandling@etac.com



www.etac.com

molift[®]
by Etac