

# R82 Flamingo

## CAD Retail Price List/ Order Form

Account #: \_\_\_\_\_ Purchase Order No.: \_\_\_\_\_ Date: \_\_\_\_\_  
 Contact: \_\_\_\_\_ Mark For: \_\_\_\_\_

Bill To:	Ship To:
Address:	Address:
City/State/Zip:	
Phone:	City/State/Zip:
Email	Phone:

### US Configuration

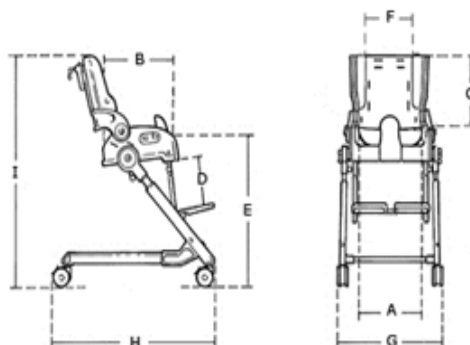
Effective: 01.10.24 - Rev 8

- Flamingo/Flamingo High-low
- Head support
- Push handle/push brace
- Side supports
- Arm rest/tray
- Commode pan/potty ring
- Vests and belts



A (Back height) \_\_\_\_\_  
 B (Arm height) \_\_\_\_\_  
 C (Lower leg length) \_\_\_\_\_  
 D (Seat depth) \_\_\_\_\_  
 E (Chest width) \_\_\_\_\_  
 F (Seat width) \_\_\_\_\_  
 G (Height from seat to top of head) \_\_\_\_\_  
 H (Shoulder width) \_\_\_\_\_  
 Age \_\_\_\_\_  
 Weight \_\_\_\_\_

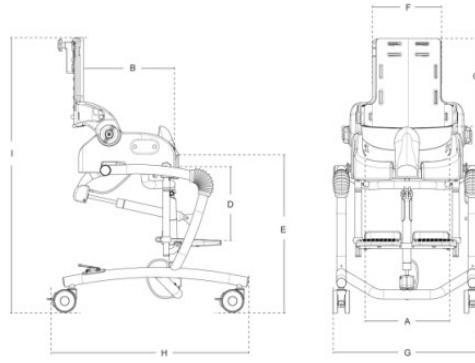
### Flamingo Measurements



	Size 1 Inches	Size 2 Inches	Size 3 Inches	Size 4 Inches
Seat width (A)	9¼"	11"	12½"	13¼"
Seat depth (B)	9¾"	11¼"	13¾"	15½"
Back height (C)	13¾"	14¾"	16½"	18¼"
Lower leg length (D)	7-10"	9¾-13½"	11¾-15½"	11¾-15½"
Seat height (E)*	19½-23½"	19½-23½"	19½-23½"	19½-23½"
Back width (F)	7¾"	8½"	10¼"	11½"
Width, frame (G)	17"	18"	19¼"	21"
Length, frame (H)*	26"	26"	26"	26"
Height, frame w/seat (I)*	33½"	35"	36½"	37"
Seat height, folded	9½"	10"	10½"	10½"
Seat length, folded	14½"	15½"	17"	18½"
Frame height, folded	8"	8"	8"	8"
Frame length, folded	29"	29"	29"	29"
Weight	24 lbs.	29 lbs.	31 lbs.	33 lbs.
Max. Load/user weight	77 lbs.	110 lbs.	132 lbs.	154 lbs.
Angling	Seat	-15°-+35°	Back	-90°-30°
	Foot support bar			90°-60°

\* with 3" wheels

## Flamingo High-Low Measurements



	<b>Size 1</b> <b>Inches</b>	<b>Size 2</b> <b>Inches</b>	<b>Size 3</b> <b>Inches</b>	<b>Size 4</b> <b>Inches</b>
Seat width (A)	24 (9¼)	28 (11)	32 (12½)	34 (13¼)
Seat depth (B)	25 (9¾)	29 (11¼)	35 (13¾)	40 (15½)
Back height (C)	35 (13¾)	38 (14¾)	42 (16½)	47 (18¼)
Lower leg length (D)	20-25 (7¼-9¾)	23-34 (9-13¼)	30-42 (11¾-16½)	30-42 (11¾-16½)
Seat height above floor (E)	53-74 (20¾-28¾)	53-74 (20¾-28¾)	53-74 (20¾-28¾)	53-74 (20¾-28¾)
Back width (F)	20 (7¼)	22 (8½)	26 (10¼)	28 (11)
Frame width (G)	50 (19½)	50 (19½)	57 (22¼)	57 (22¼)
Frame length (H)	64 (25)	64 (25)	76 (29½)	76 (29½)
Total height (I)	86-108 (33½-42)	92-111 (35¾-43¼)	94-117 (36¾-45¾)	102-120 (39¾-46¾)
Seat, total width	35 (13¾)	38 (14¾)	43 (16¾)	48 (18¾)
Seat, total depth	26 (10¼)	31½ (12¼)	36 (14)	42½ (16½)
Seat, total height	40 (15½)	43 (16¾)	48 (18¾)	51 (19¾)
Back angling	-90°-+30°	-90°-+30°	-90°-+30°	-90°-+30°
Tilt in space	-5°-+20° *	-5°-+20°	-5°-+20°	-5°-+20°
Foot support angle	90°-75°	90°-75°	90°-75°	90°-75°
Weight, total	14 kg (31 lb)	14.5 kg (32 lb)	16.5 kg (36.5 lb)	17 kg (37.5 lb)
Weight, frame	11.5 kg (25.5 lb)	11.5 kg (25.5 lb)	12.5 kg (27.5 lb)	12.5 kg (27.5 lb)
Weight, seat	2.5 kg (5.5 lb)	3 kg (6.5 lb)	4 kg (9 lb)	4.5 kg (10 lb)
Max. load, total	35 kg (77 lb)	50 kg (110 lb)	60 kg (132 lb)	70 kg (154 lb)
Max. load, seat	35 kg (77 lb)	50 kg (110 lb)	60 kg (132 lb)	70 kg (154 lb)
Max. load, operating force	35 kg (77 lb)	35 kg (77 lb)	55 kg (121 lb)	55 kg (121 lb)

\* The -5° tilt is obtainable at 55 cm (19½") seat height above floor

### Flamingo Standard Features




- Size 1, 2, 3 and 4
- 4 White Castors with Lock
- Aluminum Frame
- 100% Waterproof Upholstery for Seat and Back
- Height Adjustable and Foldable Frame
- Tilt n' Space (+5° to -35°)
- Recline Back
- Active Back (No Sides)
- Splash Guard - High Model

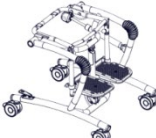
### Flamingo High-Low Standard Features


- Size 1, 2, 3 and 4
- 4 White Castors with Lock
- Foot Support (High-Low Version Only)
- 100% Waterproof Upholstery for Seat and Back
- Height Adjustable Frame
- Tilt n' Space (+5° to -35°)
- Recline Back
- Active Back (No Sides)
- Splash Guard - High Model



<b>Flamingo Seat &amp; Back</b>	<b>Description</b>	<b>Size</b>	<b>Part No.</b>	<b>CAD Price</b>
	<input type="checkbox"/> Flamingo Seat and Back, Blue ●●	1	880101-61	\$733
	<input type="checkbox"/> Flamingo Seat and Back, Blue ●●	2	880102-61	\$733
	<input type="checkbox"/> Flamingo Seat and Back, Blue	3	880103-61	\$733
	<input type="checkbox"/> Flamingo Seat and Back, Blue	4	880104-61	\$800
	<input type="checkbox"/> Flamingo Seat and Back, Gray	1	880101	\$881
	<input type="checkbox"/> Flamingo Seat and Back, Gray	2	880102	\$881
	<input type="checkbox"/> Flamingo Seat and Back, Gray	3	880103	\$881
	<input type="checkbox"/> Flamingo Seat and Back, Gray	4	880104	\$881

**IMPORTANT: No returns or exchanges accepted for this product**

Flamingo Frame	Description	Size	Part No.	CAD Price	
	<b>Note: Footrest not included with Flamingo Frame</b>				
	<input type="checkbox"/> Flamingo Frame with 3" Castors		1	880201-NL	\$868
	<input type="checkbox"/> Flamingo Frame with 3" Castors		2	880202-NL	\$868
	<input type="checkbox"/> Flamingo Frame with 3" Castors		3	880203-NL	\$868
	<input type="checkbox"/> Flamingo Frame with 3" Castors		4	880204-NL	\$1,001
	<b>Note: Select foot support only if using standard frame,</b>				
	<input type="checkbox"/> Flamingo Foot Support (Pr.)		1	880211	\$267
	<input type="checkbox"/> Flamingo Foot Support (Pr.)		2	880212	\$267
	<input type="checkbox"/> Flamingo Foot Support (Pr.)		3	880213	\$267
	<input type="checkbox"/> Flamingo Foot Support (Pr.)		4	880214	\$267
	<input type="checkbox"/> Calf Support	H:3.9" x L:41.7"	One Size	880199	\$87
	<input type="checkbox"/> Footrest Straps, Pair			85096	\$75

High-Low Bath Frame	Description	Size	Part No.	CAD Price	
	<b>Note: foot support is standard with high-low frame</b>				
	<input type="checkbox"/> High-low Bath Frame with 4" Castors		1	880411	\$2,948
	<input type="checkbox"/> High-low Bath Frame with 4" Castors		2	880412	\$2,948
	<input type="checkbox"/> High-low Bath Frame with 4" Castors		3	880413	\$2,948
	<input type="checkbox"/> High-low Bath Frame with 4" Castors		4	880414	\$3,028

Potty Frame	Description	Size	Part No.	CAD Price	
	<input type="checkbox"/> Potty Frame	H:7 1/2"-9 1/4"	1	880160-1	\$499
	<input type="checkbox"/> Potty Frame	H: 9 3/4"-11 1/2"	2	880160-2	\$499

Pelvic Positioning	Description	Measurements	Size	Part No.	CAD Price
	<input type="checkbox"/> Upholstery, Seat w/wide sides, Blue		2	880166-61	\$139
	<input type="checkbox"/> Upholstery, Seat w/wide sides, Blue		3	880167-61	\$147
	<input type="checkbox"/> Upholstery, Seat w/wide sides, Blue		4	880168-61	\$154
	<input type="checkbox"/> Upholstery, Seat w/wide sides, Gray		2	880166	\$221
	<input type="checkbox"/> Upholstery, Seat w/wide sides, Gray		3	880167	\$221
	<input type="checkbox"/> Upholstery, Seat w/wide sides, Gray		4	880168	\$221
	<input type="checkbox"/> Seat Infill for Seat, Blue		1	880185-61	\$73
	<input type="checkbox"/> Seat Infill for Seat, Blue		2	880186-61	\$73
	<input type="checkbox"/> Seat Infill for Seat, Blue		3	880187-61	\$80
	<input type="checkbox"/> Seat Infill for Seat, Blue		4	880188-61	\$80
	<input type="checkbox"/> Seat Infill for Seat, Gray		1	880185	\$133
	<input type="checkbox"/> Seat Infill for Seat, Gray		2	880186	\$133
	<input type="checkbox"/> Seat Infill for Seat, Gray		3	880187	\$133
	<input type="checkbox"/> Seat Infill for Seat, Gray		4	880188	\$133

Description	Measurements	Size	Part No.	CAD Price
-------------	--------------	------	----------	-----------



<input type="checkbox"/> Seat Belt w/ Plastic Lock		One Size	85100	\$40
<input type="checkbox"/> Suction Cups for Seat		One Size	880150	\$181



<input type="checkbox"/> Splashguard, Low Profile, Blue	3" x 3 1/2" x 2 1/2"	1	880195-61	\$103
<input type="checkbox"/> Splashguard, Low Profile, Blue	4" x 3" x 2 1/2"	2,3,4	880196-61	\$103
<input type="checkbox"/> Splashguard, Low Profile, Gray	3" x 3 1/2" x 2 1/2"	1	880195	\$103
<input type="checkbox"/> Splashguard, Low Profile, Gray	4" x 3" x 2 1/2"	2, 3, 4	880196	\$103



Description	Measurements	Size	Part No.	CAD Price
<input type="checkbox"/> Splashguard, High Profile, Blue		1	880191-61	\$109
<input type="checkbox"/> Splashguard, High Profile, Blue		2,3,4	880192-61	\$109
<input type="checkbox"/> Splashguard, High Profile, Gray		1	880191	\$109
<input type="checkbox"/> Splashguard, High Profile, Gray		2,3,4	880192	\$109

### Trunk Positioning

Description	Measurements	Size	Part No.	CAD Price
-------------	--------------	------	----------	-----------

**Note: Cannot be used with swing-away lateral supports**

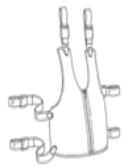
<input type="checkbox"/> Sides for Back w/ Upholstery, Blue (E)*		1	880111-61	\$173
<input type="checkbox"/> Sides for Back w/ Upholstery, Blue (E)*		2	880112-61	\$173
<input type="checkbox"/> Sides for Back w/ Upholstery, Blue (E)*		3	880113-61	\$173
<input type="checkbox"/> Sides for Back w/ Upholstery, Blue (E)*		4	880114-61	\$187



<input type="checkbox"/> Sides for Back w/ Upholstery, Gray (E)*		1	880111	\$360
<input type="checkbox"/> Sides for Back w/ Upholstery, Gray (E)*		2	880112	\$360
<input type="checkbox"/> Sides for Back w/ Upholstery, Gray (E)*		3	880113	\$360
<input type="checkbox"/> Sides for Back w/ Upholstery, Gray (E)*		4	880114	\$360

**(E)\* Cannot be combined w/ Swing-Away Lateral Supports**

<input type="checkbox"/> Vest, Water-Proof Mesh (Ea.)		0	89111-040	\$267
<input type="checkbox"/> Vest, Water-Proof Mesh (Ea.)		¾	89111-07540	\$267
<input type="checkbox"/> Vest, Water-Proof Mesh (Ea.)		1	89111-140	\$267
<input type="checkbox"/> Vest, Water-Proof Mesh (Ea.)		2	89111-240	\$267



<input type="checkbox"/> H-Harness w/Plastic Lock			85105	\$80
---	--	--	-------	------

<input type="checkbox"/> Back extension, grey	H:4"x L:8"	1,2	880118	\$227
<input type="checkbox"/> Back extension, grey	H:4"x L:10"	3,4	880119	\$227
<input type="checkbox"/> Mounting Rod for Back Extension	L:8"		880120	\$62



<input type="checkbox"/> Back Reinforcement Kit ♦		3, 4	880155	\$341
---	--	------	--------	-------



**♦ Recommended for children with high tone**

Description	Measurements	Size	Part No.	CAD Price
-------------	--------------	------	----------	-----------

<input type="checkbox"/> Fixed side supports, incl. Gray Cover, set		1	88401-10	\$312
<input type="checkbox"/> Fixed side supports, incl. Gray Cover, set		2	88401-20	\$312



<input type="checkbox"/> Bar, Straight, Stainless (A)**			82569	\$0
<input type="checkbox"/> Bar, Straight, Stainless (A)**			82648	\$0



<input type="checkbox"/> Cushion, Curved, Blue, Each (B)**	L:5 ¾"xH:2 ½"		6075409	\$139
<input type="checkbox"/> Cushion, Curved, Blue, Each (B)**	L:6 ½"xH:2 ½"		6075408	\$139
<input type="checkbox"/> Cushion, Curved, Blue, Each (B)**	L:7 ½"xH:2 ¾"		6075407	\$139
<input type="checkbox"/> Protection Pad Covers, Gray			89151	\$123



<input type="checkbox"/> Swing-Away Bracket, Right, Each (C)**		A: 1¼", B:4¾'	83300-R	\$301
<input type="checkbox"/> Swing-Away Bracket, Left, Each (C)**		A: 1¼", B:4¾'	83300-L	\$301



<input type="checkbox"/> Swing-Away Bracket, Right, Offset (D)		A: 2¼", B: 5"	83500-R	\$301
<input type="checkbox"/> Swing-Away Bracket, Left, Offset (D)		A: 2¼", B: 5"	83500-L	\$301

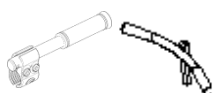


**(A), (B), (C)\*\* Required to complete Swing-Away Lateral Assy**

**(E)\* Cannot be combined w/ Swing-Away Lateral Supports**

Description	Measurements	Size	Part No.	CAD Price
-------------	--------------	------	----------	-----------


<input type="checkbox"/> Push Brace		One Size	880110	\$126
<input type="checkbox"/> Push Handle for High-Low Frame		1, 2	880110-HL	\$114
<input type="checkbox"/> Push Handle for High-Low Frame		3, 4	880110-HLL	\$114



Head Support	Description	Measurements	Size	Part No.	CAD Price	
	<input type="checkbox"/> Head Support No. 1, Blue PU			6071000	\$274	
	<input type="checkbox"/> Head Support No. 2, Blue PU			6072000	\$274	
	<input type="checkbox"/> Head Support No. 3, Blue PU			6073000	\$274	
	<input type="checkbox"/> Head Support No. 4, Blue PU			6074000	\$274	
	<input type="checkbox"/> Head Support No. 1, Gray PU			6171000	\$274	
	<input type="checkbox"/> Head Support No. 2, Gray PU			6172000	\$274	
	<input type="checkbox"/> Head Support No. 3, Gray PU			6173000	\$274	
	<input type="checkbox"/> Head Support No. 4, Gray PU			6174000	\$274	
	<input type="checkbox"/> Turtle Bar System, Short*	5"		98619-24	\$307	
	<i>*Required to mount Head Support</i>					

Accessories	Description	Measurements	Size	Part No.	CAD Price
	<input type="checkbox"/> Swing-Away Amrest/Tray, Blue		1	880131-61	\$267
	<input type="checkbox"/> Swing-Away Amrest/Tray, Blue		2	880132-61	\$267
	<input type="checkbox"/> Swing-Away Amrest/Tray, Blue		3	880133-61	\$267
	<input type="checkbox"/> Swing-Away Amrest/Tray, Blue		4	880134-61	\$267
	<input type="checkbox"/> Separate armrests, Set	9"	one size	880152	\$200
	<i>*Cannot be used together with sides for back – 880111, 880111-61, 880112 and 880112-61</i>				
	Commode pan w/holder, for Flamingo and				
	<input type="checkbox"/> Flamingo High-low sz. 1		1	880121	\$160
	Commode pan w/holder, for Flamingo and				
	<input type="checkbox"/> Flamingo High-low sz. 2		2	880122	\$160
	Commode pan w/holder, for Flamingo and				
	<input type="checkbox"/> Flamingo High-low sz. 3		3	880123	\$160
	Commode pan w/holder, for Flamingo and				
	<input type="checkbox"/> Flamingo High-low sz. 4		4	880124	\$160
	<input type="checkbox"/> Potty ring w/holders		1	880121-PR	\$173
	<input type="checkbox"/> Potty ring w/holders		2	880122-PR	\$173
	<input type="checkbox"/> Potty ring w/holders		3	880123-PR	\$173
	<input type="checkbox"/> Potty ring w/holders		4	880124-PR	\$173

Spare Parts	Description	Measurements	Size	Part No.	CAD Price
	<input type="checkbox"/> Complete set of upholstery w/splashguard, Blue		1	880181-61	\$567
	<input type="checkbox"/> Complete set of upholstery w/splashguard, Blue		2	880182-61	\$567
	<input type="checkbox"/> Complete set of upholstery w/splashguard, Blue		3	880183-61	\$567
	<input type="checkbox"/> Complete set of upholstery w/splashguard, Blue		4	880184-61	\$567
	<input type="checkbox"/> Complete set of upholstery w/splashguard, Gray		1	880181	\$568
	<input type="checkbox"/> Complete set of upholstery w/splashguard, Gray		2	880182	\$568
	<input type="checkbox"/> Complete set of upholstery w/splashguard, Gray		3	880183	\$568
	<input type="checkbox"/> Complete set of upholstery w/splashguard, Gray		4	880184	\$568
	<input type="checkbox"/> Seat Upholstery, Blue		1	880161-61	\$221
	<input type="checkbox"/> Seat Upholstery, Blue		2	880162-61	\$221
	<input type="checkbox"/> Seat Upholstery, Blue		3	880163-61	\$221
	<input type="checkbox"/> Seat Upholstery, Blue		4	880164-61	\$221

Spare Parts	Description	Measurements	Size	Part No.	CAD Price
	<input type="checkbox"/> Back Upholstery, Blue		1	880171-61	\$193
	<input type="checkbox"/> Back Upholstery, Blue		2	880172-61	\$193
	<input type="checkbox"/> Back Upholstery, Blue		3	880173-61	\$193
	<input type="checkbox"/> Back Upholstery, Blue		4	880174-61	\$193

**Prices in CAD & is subject to change without notice**  
**For Quotes and Orders please send completed Order Form to: [sales.us@etac.com](mailto:sales.us@etac.com) or fax: 1-800-760-0537**

Etac  
13137 Bleinheim Lane  
Matthews, North Carolina 28105  
+1 844-US-MOBILITY (844-876-6245)  
[www.etac.us.com](http://www.etac.us.com)

OF5302-ENG-REV.08  
  
Creating Possibilities