

Convoid Trekker - HCPCS E1234

Retail Price List / Order Form

Account #: _____ Purchase Order #: _____ Date: _____

Contact: _____ ATP/RTS: _____ Mark For: _____

Bill To:	Ship To:
Address:	Address:
City/State/Zip:	City/State/Zip:
Phone:	Phone:
Email:	

Trekker Standard Features:

- Trekker Folding Mobility Frame Accepts TR12 & TR14 Seating Systems
- Tilt-in-Space (-10° to +45°)
- 180° Reversible Seating Configuration
- 90° Fixed Front Rigging
- 7.5" x 2" Front and 11.5" x 2.5" Rear Solid Tires
- One Piece Height Adjustable Push Handle (Inside Mount)

Transit Standard Features:

- Transit Anchor Brackets

- Silver Powder Coated Frame
- 90° Fixed Footplate
- Quick Release Rear Wheels
- Standard Recline 80° to 110°
- Depth Adjustable Seat Pan
- Made in the USA

Standard Models:

- TR Seating System - C904768
- TR Mobility Frame - C904661

Price

\$0
\$2,560

Standard Transit Included Models:

- TR Seating System - C904768
- TR Mobility Frame Transit - C905362

Price

\$0
\$2,877

Seating System

- | | Price | HCPCS |
|--|-------|-------|
| <input type="checkbox"/> Seat Width 12" | N/C | |
| <input type="checkbox"/> Back Canes Only | N/C | |
| <input type="checkbox"/> TR12 Height Adjustable Solid Back 9" - 17" | \$561 | E2293 |
| <input type="checkbox"/> Seat Width 14" | N/C | |
| <input type="checkbox"/> Back Canes Only | N/C | |
| <input type="checkbox"/> TR14 Height Adjustable Solid Back 17" -26" | \$561 | E2293 |
| Back Additional Recline Option¹ | | |
| <input type="checkbox"/> Recline System (80 to 170 degrees) (Manufacturer Installation Required) | \$514 | E1226 |
| Snuggle Back Cushions:** | | |
| <input type="checkbox"/> TR12 Short 12" x 18" | N/C | |
| <input type="checkbox"/> TR14 Tall 14" x 26" | N/C | |
| Comfort Side Support Wings | | |
| <input type="checkbox"/> Comfort Side Support Wing - Left | N/C | |
| <input type="checkbox"/> Comfort Side Support Wing - Right | N/C | |
| Extra Back Cushion Options | | |
| <input type="checkbox"/> Lumbar Support | \$38 | K0108 |
| Seating Depth Position (Select One - See Chart on Bottom of Order Form): | | |
| <input type="checkbox"/> Seat Depth Position 1 (TR12: 5.5"-8"/TR14: 8"-10") | N/C | |
| <input type="checkbox"/> Seat Depth Position 2 (TR12: 7.5"-10"/TR14: 10"-12") | N/C | |
| <input type="checkbox"/> Seat Depth Position 3 (TR12: 9.5"-12"/TR14: 12"-14") | N/C | |
| <input type="checkbox"/> Seat Depth Position 4 (TR12: NA/TR14: 13"-15") | N/C | |
| Planar Seat Cushion*² | | |
| <input type="checkbox"/> Snuggle Planar Seat Short Cushion - Standard Fabric (TR12: 12x12) / (TR14: 14x14) | \$315 | E2292 |
| <input type="checkbox"/> Snuggle Planar Seat Short Cushion - Spacer Fabric (TR12: 12x12) / (TR14: 14x14) | \$315 | E2292 |
| Contoured Seat Cushion*² | | |
| <input type="checkbox"/> Snuggle Contoured Seat Long Cushion - Standard Fabric (TR12: 12x14) / (TR14: 14x16) | \$347 | E2294 |
| <input type="checkbox"/> Snuggle Contoured Seat Long Cushion - Spacer Fabric (TR12: 12x14) / (TR14: 14x16) | \$347 | E2294 |
| Upholstery Color: | | |
| <input type="checkbox"/> Panther Black | N/C | |
| <input type="checkbox"/> Royal Blue | N/C | |
| <input type="checkbox"/> Forest Green | N/C | |
| <input type="checkbox"/> Sassy Purple | N/C | |
| <input type="checkbox"/> Princess Pink | N/C | |
| <input type="checkbox"/> Cherry Red | N/C | |

¹Manufacturer Installation Required.

²Fast tab is only added to Cushion if 3-Pt Belt is added. New Cushion is required if 3-Pt Belt is added after-market.

*All seat cushions must have fast tab for aftermarket 3-Pt Belt and H-Harness.

**Back cushion dimensions are seat pan to top of back pan.

Head Supports (Required for Transit)

- | | Price | HCPCS |
|--|-------|-------|
| <input type="checkbox"/> Integrated Adj Head Support Assembly (Option only on TR12 Seating System) | \$189 | E0955 |
| <input type="checkbox"/> R82 Adjustable Width Headrest, Black Cover - Short (Hardware Required) | \$326 | E0955 |
| <input type="checkbox"/> Turtle Neck Bar System, Short (Required) | \$246 | E1028 |
| <input type="checkbox"/> Headrest Universal Mount (Required) | \$58 | K0108 |
| R82 Anatomic Headrest with Black Cover (Hardware Required) | | |
| <input type="checkbox"/> Small | \$273 | E0955 |
| <input type="checkbox"/> Medium | \$273 | E0955 |
| <input type="checkbox"/> Turtle Neck Bar System, Short (Required) | \$246 | E1028 |
| <input type="checkbox"/> Headrest Universal Mount (Required) | \$58 | K0108 |

TR12	TR14
C905515	
C508446	
C904662	
	C905516
	C508447
	C904663
C905053	C905053
C904696	
	C904699
C904617	C904617
C904618	C904618
C904664	C904664
C905354	C905354
C905355	C905355
C905356	C905356
	C905360
C905412	C904710
C904708	C905425
C905415	C904783
C905429	C905430
C903854	C903854
C903850	C903850
C903857	C903857
C903851	C903851
C903759	C903759
C903855	C903855

TR12	TR14
C904615	
C905287	C905287
C904948	C904948
C904946	C904946
C904950	C904950
C904951	C904951
C904948	C904948
C904946	C904946

<u>Trunk Positioning (Required for Transit)</u>			<u>Price</u>	<u>HCPCS</u>	<u>TR12</u>	<u>TR14</u>
<input type="checkbox"/> H-Harness w/ Padded Covers^^			\$105	E0960	C904695	C904695
Torso Vest by R82						
<input type="checkbox"/> LT Shoulder to RT Hip: 7.75" - 10.75" (Size XS)			\$214	E0960	C905476	C905476
<input type="checkbox"/> LT Shoulder to RT Hip: 10.75" - 12.5" (Size S)			\$214	E0960	C905152	C905152
<input type="checkbox"/> LT Shoulder to RT Hip: 12.5" - 16" (Size M)			\$214	E0960	C905153	C905153
<input type="checkbox"/> LT Shoulder to RT Hip: 16" - 18.5" (Size L)			\$214	E0960	C905154	C905154
<input type="checkbox"/> LT Shoulder to RT Hip: 18.5" - 20.5" (Size XL)			\$214	E0960	C905480	C905480
<input type="checkbox"/> LT Shoulder to RT Hip: 20.5" - 23.5" (Size XXL)			\$214	E0960	C905481	C905481
<input type="checkbox"/> Camlock Kit for Vest (Required)			N/C		C905394	C905394
Cross Vest by R82						
<input type="checkbox"/> LT Shoulder to RT Hip: 7.75" - 12.5" (Size XS)			\$203	E0960	C905176	C905176
<input type="checkbox"/> LT Shoulder to RT Hip: 10.25" - 13.5" (Size S)			\$203	E0960	C905177	C905177
<input type="checkbox"/> LT Shoulder to RT Hip: 13.5" - 17.75" (Size M)			\$203	E0960	C905178	C905178
<input type="checkbox"/> LT Shoulder to RT Hip: 17.75" - 20.75" (Size L)			\$203	E0960	C905179	C905179
<input type="checkbox"/> LT Shoulder to RT Hip: 20.75" - 24.5" (Size XL)			\$203	E0960	C905180	C905180
<input type="checkbox"/> Camlock Kit for Vest (Required)			N/C		C905394	C905394
^^^Requires the Height Adjustable Solid Back System and 3-Pt Belt.						
<u>Laterals</u>			<u>Price</u>	<u>HCPCS</u>		
Fixed Laterals - Width, Height, Adj. Lateral Thoracic Support						
Left Lateral Padding Selection:						
<input type="checkbox"/> Size 1: 4" (D) x 4.5" (H)			\$156	E0956	C904760	C904760
<input type="checkbox"/> Size 2: 5" (D) x 4.5" (H)			\$156	E0956	C904876	C904876
Right Lateral Padding Selection:						
<input type="checkbox"/> Size 1: 4" (D) x 4.5" (H)			\$156	E0956	C904761	C904761
<input type="checkbox"/> Size 2: 5" (D) x 4.5" (H)			\$156	E0956	C904886	C904886
Swing-Away Laterals - Height Adj. Lateral Thoracic Support						
Left Lateral Padding Selection:						
<input type="checkbox"/> Size 1: 4" (D) x 2.75" (H)			\$126	E0956	C904864	C904864
<input type="checkbox"/> Size 2: 5.75" (D) x 4.25" (H)			\$126	E0956	C904866	C904866
<input type="checkbox"/> Swing Away Adj. Hardware (Required for S/A Laterals)			\$254	E1028	C904884	C904884
Right Lateral Padding Selection:						
<input type="checkbox"/> Size 1: 4" (D) x 2.75" (H)			\$126	E0956	C904865	C904865
<input type="checkbox"/> Size 2: 5.75" (D) x 4.25" (H)			\$126	E0956	C904867	C904867
<input type="checkbox"/> Swing Away Adj. Hardware (Required for S/A Laterals)			\$254	E1028	C904885	C904885
<input type="checkbox"/> 1" Thick Padded Lateral Support Cover			\$53	E0960	C905411	C905411
<u>Pelvic Positioning (Required for Transit)</u>			<u>Price</u>	<u>HCPCS</u>	<u>TR12</u>	<u>TR14</u>
<input type="checkbox"/> 2-Point Pelvic Positioning Belt			\$48	E0978	C905386	C905386
<input type="checkbox"/> 3-Point Pelvic Positioning Belt			\$52	E0978	C904017	C904017
4-Point Pelvic Positioning Belt by R82 (Cannot be paired with 2-PT Pelvic Belt)*						
<input type="checkbox"/> Hip Width: 6.75" - 12.5" (Size XS)			\$144	K0108	C905148	C905148
<input type="checkbox"/> Hip Width: 8.25" - 13.75" (Size S)			\$144	K0108	C905149	C905149
<input type="checkbox"/> Hip Width: 9.75" - 16.25" (Size M)			\$144	K0108	C905150	C905150
<input type="checkbox"/> Hip Width: 12.5" - 17.25" (Size L)			\$144	K0108	C905151	C905151
<input type="checkbox"/> Hip Width: 16.25" - 20.5" (Size XL)			\$144	K0108	C905475	C905475
*Height is reduced by 1" when used with Planar Seat Cushion or 2" if used with Contoured Seat Cushion.						
<u>Hip Guides</u>			<u>Price</u>	<u>HCPCS</u>	<u>TR12</u>	<u>TR14</u>
Hip Guides without Armrest - Height Adj. Lateral Pelvic Support						
Left Size Selection:						
<input type="checkbox"/> Small - 4.5" - 5.5" (H)*			\$128	E0956	C904935	C905042
<input type="checkbox"/> Large - 5.25" - 6.25" (H)*			\$128	E0956	C905040	C904937
Right Size Selection:						
<input type="checkbox"/> Small - 4.5" - 5.5" (H)*			\$128	E0956	C904936	C905043
<input type="checkbox"/> Large - 5.25" - 6.25" (H)*			\$128	E0956	C905041	C904938
Hip Guides with Armrest - Height Adj. Lateral Pelvic Support (Cannot be used with Reversible Tray)						
Left Size Selection:						
<input type="checkbox"/> Small - 5"-6"(H)*			\$156	E0956	C904611	C904613
<input type="checkbox"/> Large - 7"-8" (H)*			\$156	E0956		C904927
Right Size Selection:						
<input type="checkbox"/> Small - 5"-6"(H)			\$156	E0956	C904612	C904614
<input type="checkbox"/> Large - 7"-8" (H)*			\$156	E0956		C904928
Medial Knee Abductor (Pommel)						
<input type="checkbox"/> Small (1.5" front width, 3.5" depth, 2" back width, 2.25" height)			\$173	E0957	C904557	C904557
<input type="checkbox"/> Medium (2.6" front width, 4.1" depth, 2" back width, 2.7" height)			\$173	E0957	C904591	C904591
<u>Foot & Leg Positioning</u>			<u>Price</u>	<u>HCPCS</u>	<u>TR12</u>	<u>TR14</u>
<input type="checkbox"/> Angle Adjustable Elevating Leg Rest (90° - 180°) Pair ¹			\$267	K0990	C905046	C905047
<input type="checkbox"/> Padded Elevating Legrest Cover (Pair)			\$100	K0108	C904619	C904619
Calf Panel						
<input type="checkbox"/> Calf Panel (E.I.) H: 3.5"			\$66	E0995	C905370	C905370
<input type="checkbox"/> Calf Panel (Standard) H: 6"			\$66	E0995	C904580	C904580
Footplate Options (Fixed 90° Foot Plates are Standard Option)						
<input type="checkbox"/> Individual Angle Adjustable Footplates - Pair (Elevating Leg Rest Required) ¹			\$368	K0040	C905049	C905050
<input type="checkbox"/> One Piece Angle Adjustable Flip Up Footplate (-15° - +15°)			\$118	K0040	C904568	C904596
<input type="checkbox"/> Full Padded Footbox (One-Piece Footplate Required)			\$347	K0108	C904955	C904956
Foot Positioners (Pair)**						
<input type="checkbox"/> Small 7" - 10"			\$167	K0108	C903415	C903415
<input type="checkbox"/> Medium 8" - 11"			\$167	K0108	C903416	C903416
Therapin Shoe Holders w/Padded Straps (Pair)						
<input type="checkbox"/> Small			\$201	K0108	C904679	C904679
<input type="checkbox"/> Medium			\$201	K0108	C904680	C904680

<u>Accessories</u>	<u>Price</u>	<u>HCPCS</u>
Headrest Cover Options (Canopy)		
<input type="checkbox"/> Headrest Cover (Canopy)	\$244	K0108
<input type="checkbox"/> Extended Headrest Cover - No Windows (Canopy)	\$267	K0108
<input type="checkbox"/> Upper Extremity Support Tray (Clear Tray) (Hardware Required) (Reversible)*^	\$119	E0950
<input type="checkbox"/> Adj Removable Hardware (Required for Clear Tray)	\$243	E1028
<input type="checkbox"/> Padded Tray Cover* ^{ooo} (Clear Tray Required) (Reversible) (12) (14)	\$70	K0108
<input type="checkbox"/> Utility Bag	\$45	
<input type="checkbox"/> Rain Cover (Headrest Cover Required)	\$161	
<input type="checkbox"/> Headrest Cover (Canopy)	\$244	K0108
<input type="checkbox"/> Extended Headrest Cover - No Windows (Canopy)	\$267	K0108
<input type="checkbox"/> Mosquito Net (Headrest Cover Required)	\$161	
<input type="checkbox"/> Headrest Cover (Canopy)	\$244	K0108
<input type="checkbox"/> Extended Headrest Cover - No Windows (Canopy)	\$267	K0108

*Cannot be used during transit.
^Not available with arm rests.

TR12	TR14
C904572	C904599
C904690	C904691
C904556	C904590
C905361	C905361
C904586	C904610
C904531	C904531
C904790	C904791
C904572	C904599
C904690	C904691
C904788	C904789
C904572	C904599
C904690	C904691

<u>Trekker Frame Options</u>	<u>Price</u>	<u>HCPCS</u>
<input type="checkbox"/> Height Adjustable Push Handle (Outside Mount)	N/C	
Tire Options		
<input type="checkbox"/> 12.5" x 2" Rear Solid Knobby Tire	\$213	
<input type="checkbox"/> 7.5" x 2" Front, 12.5" Rear Pneumatic Knobby Tire	\$319	

TR12	TR14
C904688	C904688
C904117	C904117
C904118	C904118

<u>Frame Accessories</u>	<u>Price</u>	<u>HCPCS</u>
<input type="checkbox"/> Transit Option (Manufacturer Installation Required)*	\$214	K0108
<input type="checkbox"/> Using other manufacturer's Head Support	\$0	
<input type="checkbox"/> Caster Locks (Manufacturer Installation Required)	\$100	K0073
<input type="checkbox"/> Rear Anti-Tip Tubes	\$123	E0971
<input type="checkbox"/> Curb Tipper	\$105	
<input type="checkbox"/> Under Seat Storage Basket	\$128	

TR12	TR14
C904576	C904576
C995681	C995681
C904689	C904689
C904649	C904649
C905310	C905310
C904605	C904605

*Requires Head Support and Pelvic Positioning Belt.

<u>Medical Support Accessories</u>	<u>Price</u>	<u>HCPCS</u>
IV Pole		
<input type="checkbox"/> IV Pole (height adjustable and collapsible) ^o	\$209	K0105
<input type="checkbox"/> IV Pole Swing-Away Hardware (Required for IV Pole)	\$147	K1028
<input type="checkbox"/> Vertical O2 Tank Holder* ¹	\$187	E2208
<input type="checkbox"/> LTV Ventilator Holder ¹	\$481	E1029
<input type="checkbox"/> Medical Necessity Storage Basket	\$315	
<input type="checkbox"/> Ventilator/Suction/Hard Tray	\$481	E1029
<input type="checkbox"/> Extended Ventilator/Suction/Hard Tray (Lower Tray Only)	\$481	E1029

TR12	TR14
C904566	C904566
C905612	C905612
C904565	C904565
C904671	C904671
C904606	C904606
C904595	C904595
C905416	C905416

¹Manufacturer Installation Required.
^oRequires Rear Anti-Tip Tubes.
*Cannot be used during transit.

<u>R82 High-Low:xo Frame Options</u>	<u>Price</u>	<u>HCPCS</u>
Manual Lifts		
<input type="checkbox"/> High-Low:xo Frame, Manual Lift, Indoor, Size 1	\$2,085	
Push Brace for High-Low:xo - Indoor (will interfere with 170° recline)		
<input type="checkbox"/> Push Brace - Fixed Angle	\$171	
<input type="checkbox"/> Push Brace, Angle Adjustable	\$412	
<input type="checkbox"/> Stingray Seat Module - Interface Adaptor Kit for Trekker Frame*	N/C	

TR12	TR14
C905366	C905366
C905368	C905368
C905369	C905369
C905363	C905363

*Required with Trekker Frame.

***The Trekker Transit option includes four manufacturer installed red wheelchair transportation anchors. The Trekker Transit model has been crash tested and conforms to RESNA WC19 standards. Anthropomorphic Test Device weights are TR12T 75lbs/34kg and TR14T 110lbs/50kg.

The Convoid Trekker Mobility Base was tested with the Trekker Seating Module equipped with a head support and wheelchair anchored pelvic lap belt. Do not use the foot positioners on the Convoid Trekker during transit in a motor vehicle. The performance and safety of accessories and/or other seating options not tested by Convoid is unknown, and no warranty or claim about their performance is or can be made.

Furthermore, when being transported in a vehicle it is Convoid's position that the wheelchair user transfer from the wheelchair into appropriate vehicle seating during transportation. Please note that at this time, the Department of Transportation has not officially approved any tie-down system for a user while in a wheelchair, therefore Convoid cannot recommend a transit system.

For more information on RESNA WC-19 and WC-20 standards please visit <http://www.rercwts.pitt.edu/WC19.html>.

HCPCS codes are provided for your convenience and are NOT to be considered billing or legal advice. Providers are responsible for insuring that appropriate billing codes are used when submitting claims. Proper use of HCPCS codes does not insure coverage or payment. Contact the appropriate payer for coverage information.

Standard Domestic Shipping Rate: \$40 • For expedited shipping rates, please call 1-844-876-6245

Prices in USD & subject to change, ex works Torrance, California.

Effective: 2/16/2024

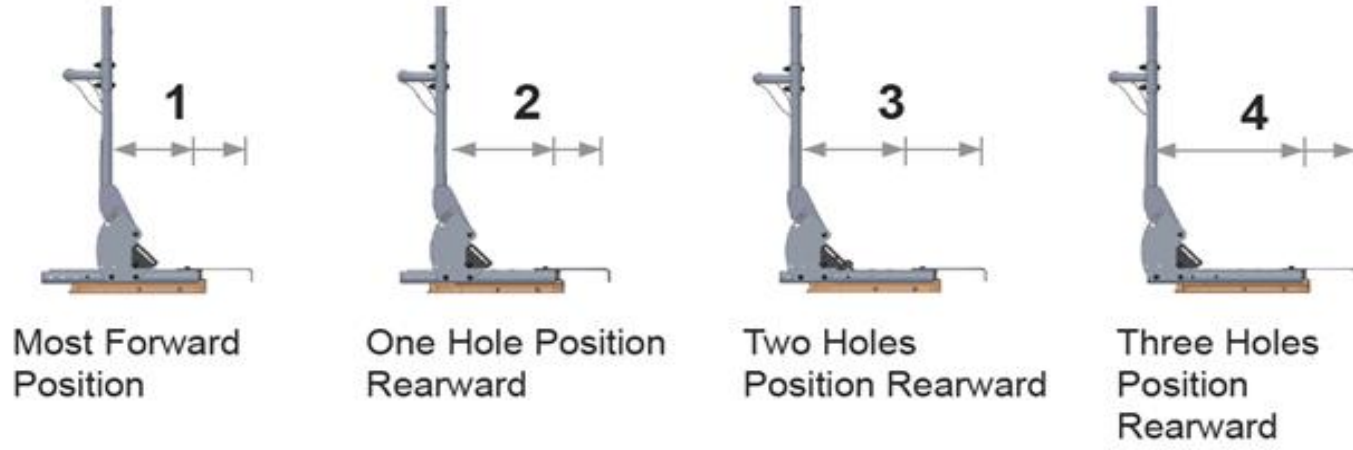
Convoid
2830 California Street
Torrance, CA 90503
1 844-US-MOBILITY (844-876-6245)
www.etac.us.com

OF1800-ENG-REV.12



Seat Depth Adjustable Positions:

Seat Depth Growth				
Postion:	1	2	3	4
TR12:	5.5" - 8"	7.5" - 10"	9.5" - 12"	N/A
TR14:	8" - 10"	10" - 12"	12" - 14"	13" - 15"



Trekker Top Vests Belt Slot (Shoulder) Height from Seat Pan

	Minimum	Maximum
TR12 Integrated Headrest	9"	13"
TR12 Separate Headrest	13"	17"
TR14 Separate Headrest	17"	26"

Seating Module Specifications:**Convoid Trekker Seating Module Specifications**

Seat Width with Accessories	TR 12 (Size 1)	TR 14 (Size 2)
Trunk Width between Fixed Laterals (With Comfort Wings/Without Comfort Wings)	7.5" - 8" / 7.5" - 12"	9.5" - 10" / 9.5" - 14"
Trunk Width between Swing-Away Laterals (With Comfort Wings/Without Comfort Wings)	6" - 8" / 6" - 10"	7" - 9.5" / 7" - 14"
Hip Width between Hip Guides Without Armrests	5.5" - 11.5"	6.5" - 14"
Hip Width between Hip Guides With Armrests	5.5" - 11.5"	6.5" - 14"

Convoid Trekker Seat to Footplate Dimensions

Seat to Footplate Dimensions	TR 12 (Size 1)	TR 14 (Size 2)
Fixed 90° with one piece footplate	5.5" - 11.5"	5.5" - 11.5"
Fixed 90° with one piece footplate (flipped)	3.25" - 9.25"	3.25" - 9.25"
ELR with one piece footplate	4.75" - 10.75"	6.25" - 12.25"
ELR with one piece footplate (flipped)	2" - 8"	4.25" - 10.25"
ELR with individual footplates	5" - 11"	7" - 13"
ELR with individual footplates (flipped)	2" - 5"	4" - 7"