

Convoid Trekker

Canadian Retail Price List / Order Form

Account #: _____ Purchase Order #: _____ Date: _____

Contact: _____ ATP/RTS: _____ Mark For: _____

Bill To:	Ship To:
Address:	Address:
City/State/Zip:	City/State/Zip:
Phone:	Phone:
Email:	

Trekker Standard Features:

- | | |
|---|--|
| <ul style="list-style-type: none"> • Trekker Folding Mobility Frame Accepts TR12 & TR14 Seating Systems • Tilt-in-Space (-10° to +45°) • 180° Reversible Seating Configuration • 90° Fixed Front Rigging • 7.5" x 2" Front and 11.5" x 2.5" Rear Solid Tires • One Piece Height Adjustable Push Handle (Inside Mount) | <ul style="list-style-type: none"> • Silver Powder Coated Frame • 90° Fixed Footplate • Quick Release Rear Wheels • Standard Recline 80° to 110° • Depth Adjustable Seat Pan • Made in the USA |
|---|--|

Standard Models:

- TR Seating System - C904768
- TR Mobility Frame - C904661

Price

\$0
\$3,352

All prices in CAD

	Price	TR12	TR14
<input type="checkbox"/> Seating System			
<input type="checkbox"/> Seat Width 12"	N/C	C905515	
<input type="checkbox"/> Back Canes Only	N/C	C508446	
<input type="checkbox"/> TR12 Height Adjustable Solid Back 9" - 17"	\$735	C904662	
<input type="checkbox"/> Seat Width 14"	N/C		C905516
<input type="checkbox"/> Back Canes Only	N/C		C508447
<input type="checkbox"/> TR14 Height Adjustable Solid Back 17" - 26"	\$735		C904663
Back Additional Recline Option¹			
<input type="checkbox"/> Recline System (80 to 170 degrees) (Manufacturer Installation Required)	\$673	C905053	C905053
Snuggle Back Cushions:**			
<input type="checkbox"/> TR12 Short 12" x 18"	N/C	C904696	
<input type="checkbox"/> TR14 Tall 14" x 26"	N/C		C904699
Comfort Side Support Wings			
<input type="checkbox"/> Comfort Side Support Wing - Left	N/C	C904617	C904617
<input type="checkbox"/> Comfort Side Support Wing - Right	N/C	C904618	C904618
Extra Back Cushion Options			
<input type="checkbox"/> Lumbar Support	\$50	C904664	C904664
Seating Depth Position (Select One - See Chart on Bottom of Order Form):			
<input type="checkbox"/> Seat Depth Position 1 (TR12: 5.5"-8"/TR14: 8"-10")	N/C	C905354	C905354
<input type="checkbox"/> Seat Depth Position 2 (TR12: 7.5"-10"/TR14: 10"-12")	N/C	C905355	C905355
<input type="checkbox"/> Seat Depth Position 3 (TR12: 9.5"-12"/TR14: 12"-14")	N/C	C905356	C905356
<input type="checkbox"/> Seat Depth Position 4 (TR12: NA/TR14: 13"-15")	N/C		C905360
Planar Seat Cushion*²			
<input type="checkbox"/> Snuggle Planar Seat Short Cushion - Standard Fabric (TR12: 12x12) / (TR14: 14x14)	\$412	C905412	C904710
<input type="checkbox"/> Snuggle Planar Seat Short Cushion - Spacer Fabric (TR12: 12x12) / (TR14: 14x14)	\$412	C904708	C905425
Contoured Seat Cushion*²			
<input type="checkbox"/> Snuggle Contoured Seat Long Cushion - Standard Fabric (TR12: 12x14) / (TR14: 14x16)	\$454	C905415	C904783
<input type="checkbox"/> Snuggle Contoured Seat Long Cushion - Spacer Fabric (TR12: 12x14) / (TR14: 14x16)	\$454	C905429	C905430
Upholstery Color:			
<input type="checkbox"/> Panther Black	N/C	C903854	C903854
<input type="checkbox"/> Royal Blue	N/C	C903850	C903850
<input type="checkbox"/> Forest Green	N/C	C903857	C903857
<input type="checkbox"/> Sassy Purple	N/C	C903851	C903851
<input type="checkbox"/> Princess Pink	N/C	C903759	C903759
<input type="checkbox"/> Cherry Red	N/C	C903855	C903855

¹Manufacturer Installation Required.

²Fast tab is only added to Cushion if 3-Pt Belt is added. New Cushion is required if 3-Pt Belt is added after-market.

*All seat cushions must have fast tab for aftermarket 3-Pt Belt and H-Harness.

**Back cushion dimensions are seat pan to top of back pan.

	Price	TR12	TR14
<input type="checkbox"/> Head Supports (Required for Transit)			
<input type="checkbox"/> Integrated Adj Head Support Assembly (Option only o TR12 Seating System)	\$247	C904615	
<input type="checkbox"/> R82 Adjustable Width Headrest, Black Cover - Short (Hardware Required)	\$427	C905287	C905287
<input type="checkbox"/> Turtle Neck Bar System, Short (Required)	\$322	C904948	C904948
<input type="checkbox"/> Headrest Universal Mount (Required)	\$76	C904946	C904946
R82 Anatomic Headrest with Black Cover (Hardware Required)			
<input type="checkbox"/> Small	\$357	C904950	C904950
<input type="checkbox"/> Medium	\$357	C904951	C904951
<input type="checkbox"/> Turtle Neck Bar System, Short (Required)	\$322	C904948	C904948
<input type="checkbox"/> Headrest Universal Mount (Required)	\$76	C904946	C904946

<u>Trunk Positioning (Required for Transit)</u>		<u>Price</u>
<input type="checkbox"/> H-Harness w/ Padded Covers ^{^^}		\$137
Torso Vest by R82		
<input type="checkbox"/> LT Shoulder to RT Hip: 7.75" - 10.75" (Size XS)		\$280
<input type="checkbox"/> LT Shoulder to RT Hip: 10.75" - 12.5" (Size S)		\$280
<input type="checkbox"/> LT Shoulder to RT Hip: 12.5" - 16" (Size M)		\$280
<input type="checkbox"/> LT Shoulder to RT Hip: 16" - 18.5" (Size L)		\$280
<input type="checkbox"/> LT Shoulder to RT Hip: 18.5" - 20.5" (Size XL)		\$280
<input type="checkbox"/> LT Shoulder to RT Hip: 20.5" - 23.5" (Size XXL)		\$280
<input type="checkbox"/> Camlock Kit for Vest (Required)		N/C
Cross Vest by R82		
<input type="checkbox"/> LT Shoulder to RT Hip: 7.75" - 12.5" (Size XS)		\$266
<input type="checkbox"/> LT Shoulder to RT Hip: 10.25" - 13.5" (Size S)		\$266
<input type="checkbox"/> LT Shoulder to RT Hip: 13.5" - 17.75" (Size M)		\$266
<input type="checkbox"/> LT Shoulder to RT Hip: 17.75" - 20.75" (Size L)		\$266
<input type="checkbox"/> LT Shoulder to RT Hip: 20.75" - 24.5" (Size XL)		\$266
<input type="checkbox"/> Camlock Kit for Vest (Required)		N/C
^^^Requires the Height Adjustable Solid Back System and 3-Pt Belt.		

<u>Laterals</u>		<u>Price</u>
Fixed Laterals - Width, Height, Adj. Lateral Thoracic Support		
Left Lateral Padding Selection:		
<input type="checkbox"/> Size 1: 4" (D) x 4.5" (H)		\$204
<input type="checkbox"/> Size 2: 5" (D) x 4.5" (H)		\$204
Right Lateral Padding Selection:		
<input type="checkbox"/> Size 1: 4" (D) x 4.5" (H)		\$204
<input type="checkbox"/> Size 2: 5" (D) x 4.5" (H)		\$204
Swing-Away Laterals - Height Adj. Lateral Thoracic Support		
Left Lateral Padding Selection:		
<input type="checkbox"/> Size 1: 4" (D) x 2.75" (H)		\$165
<input type="checkbox"/> Size 2: 5.75" (D) x 4.25" (H)		\$165
<input type="checkbox"/> Swing Away Adj. Hardware (Required for S/A Laterals)		\$333
Right Lateral Padding Selection:		
<input type="checkbox"/> Size 1: 4" (D) x 2.75" (H)		\$165
<input type="checkbox"/> Size 2: 5.75" (D) x 4.25" (H)		\$165
<input type="checkbox"/> Swing Away Adj. Hardware (Required for S/A Laterals)		\$333
<input type="checkbox"/> 1" Thick Padded Lateral Support Cover		\$69

<u>Pelvic Positioning (Required for Transit)</u>		<u>Price</u>
<input type="checkbox"/> 2-Point Pelvic Positioning Belt		\$63
<input type="checkbox"/> 3-Point Pelvic Positioning Belt		\$68
4-Point Pelvic Positioning Belt by R82 (Cannot be paired with 2-PT Pelvic Belt)*		
<input type="checkbox"/> Hip Width: 6.75" - 12.5" (Size XS)		\$189
<input type="checkbox"/> Hip Width: 8.25" - 13.75" (Size S)		\$189
<input type="checkbox"/> Hip Width: 9.75" - 16.25" (Size M)		\$189
<input type="checkbox"/> Hip Width: 12.5" - 17.25" (Size L)		\$189
<input type="checkbox"/> Hip Width: 16.25" - 20.5" (Size XL)		\$189
*Height is reduced by 1" when used with Planar Seat Cushion or 2" if used with Contoured Seat Cushion.		

<u>Hip Guides</u>		<u>Price</u>
Hip Guides without Armrest - Height Adj. Lateral Pelvic Support		
Left Size Selection:		
<input type="checkbox"/> Small - 4.5" - 5.5" (H)*		\$168
<input type="checkbox"/> Large - 5.25" - 6.25" (H)*		\$168
Right Size Selection:		
<input type="checkbox"/> Small - 4.5" - 5.5" (H)*		\$168
<input type="checkbox"/> Large - 5.25" - 6.25" (H)*		\$168
Hip Guides with Armrest - Height Adj. Lateral Pelvic Support (Cannot be used with Reversible Tray)		
Left Size Selection:		
<input type="checkbox"/> Small - 5"-6"(H)*		\$204
<input type="checkbox"/> Large - 7"-8" (H)*		\$204
Right Size Selection:		
<input type="checkbox"/> Small - 5"-6"(H)		\$204
<input type="checkbox"/> Large - 7"-8" (H)*		\$204
Medial Knee Abductor (Pommel)		
<input type="checkbox"/> Small (1.5" front width, 3.5" depth, 2" back width, 2.25" height)		\$227
<input type="checkbox"/> Medium (2.6" front width, 4.1" depth, 2" back width, 2.7" height)		\$227

<u>Foot & Leg Positioning</u>		<u>Price</u>
<input type="checkbox"/> Angle Adjustable Elevating Leg Rest (90° - 180°) Pair ¹		\$350
<input type="checkbox"/> Padded Elevating Legrest Cover (Pair)		\$131
Calf Panel		
<input type="checkbox"/> Calf Panel (E.I.) H: 3.5"		\$86
<input type="checkbox"/> Calf Panel (Standard) H: 6"		\$86
Footplate Options (Fixed 90° Foot Plates are Standard Option)		
<input type="checkbox"/> Individual Angle Adjustable Footplates - Pair (Elevating Leg Rest Required) ¹		\$223
<input type="checkbox"/> One Piece Angle Adjustable Flip Up Footplate (-15° - +15°)		\$155
<input type="checkbox"/> Full Padded Footbox (One-Piece Footplate Required)		\$454
Foot Positioners (Pair)**		
<input type="checkbox"/> Small 7" - 10"		\$219
<input type="checkbox"/> Medium 8" - 11"		\$219
Therafin Shoe Holders w/Padded Straps (Pair)		
<input type="checkbox"/> Small		\$263
<input type="checkbox"/> Medium		\$263

¹Manufacturer Installation Required.

TR12	TR14
C904695	C904695
C905476	C905476
C905152	C905152
C905153	C905153
C905154	C905154
C905480	C905480
C905481	C905481
C905394	C905394
C905176	C905176
C905177	C905177
C905178	C905178
C905179	C905179
C905180	C905180
C905394	C905394

C904760	C904760
C904876	C904876
C904761	C904761
C904886	C904886
C904864	C904864
C904866	C904866
C904884	C904884
C904865	C904865
C904867	C904867
C904885	C904885
C905411	C905411

TR12	TR14
C905386	C905386
C904017	C904017
C905148	C905148
C905149	C905149
C905150	C905150
C905151	C905151
C905475	C905475

TR12	TR14
C904935	C905042
C905040	C904937
C904936	C905043
C905041	C904938
C904611	C904613
	C904927
C904612	C904614
	C904928
C904557	C904557
C904591	C904591

TR12	TR14
C905046	C905047
C904619	C904619
C905370	C905370
C904580	C904580
C905049	C905050
C904568	C904596
C904955	C904956
C903415	C903415
C903416	C903416
C904679	C904679
C904680	C904680

<u>Accessories</u>	<u>Price</u>
Headrest Cover Options (Canopy)	
<input type="checkbox"/> Headrest Cover (Canopy)	\$319
<input type="checkbox"/> Extended Headrest Cover - No Windows (Canopy)	\$319
<input type="checkbox"/> Upper Extremity Support Tray (Clear Tray) (Hardware Required) (Reversible)**	\$155
<input type="checkbox"/> Adj Removable Hardware (Required for Clear Tray)	\$318
<input type="checkbox"/> Padded Tray Cover*** (Clear Tray Required) (Reversible) (12) (14)	\$92
<input type="checkbox"/> Utility Bag	\$54
<input type="checkbox"/> Rain Cover (Headrest Cover Required)	\$245
<input type="checkbox"/> Headrest Cover (Canopy)	\$319
<input type="checkbox"/> Extended Headrest Cover - No Windows (Canopy)	\$319
<input type="checkbox"/> Mosquito Net (Headrest Cover Required)	\$245
<input type="checkbox"/> Headrest Cover (Canopy)	\$319
<input type="checkbox"/> Extended Headrest Cover - No Windows (Canopy)	\$319

***Cannot be used during transit.**

^Not available with arm rests.

<u>Trekker Frame Options</u>	<u>Price</u>
<input type="checkbox"/> Height Adjustable Push Handle (Outside Mount)	N/C
Tire Options	
<input type="checkbox"/> 12.5" x 2" Rear Solid Knobby Tire	\$270
<input type="checkbox"/> 7.5" x 2" Front, 12.5" Rear Pneumatic Knobby Tire	\$403

<u>Frame Accessories</u>	<u>Price</u>
<input type="checkbox"/> Transit Option (Manufacturer Installation Required)	\$280
<input type="checkbox"/> Q'Straint Transit Lap Belt	\$259
<input type="checkbox"/> Caster Locks (Manufacturer Installation Required)	\$131
<input type="checkbox"/> Rear Anti-Tip Tubes	\$161
<input type="checkbox"/> Curb Tipper	\$137
<input type="checkbox"/> Under Seat Storage Basket	\$168

<u>Medical Support Accessories</u>	<u>Price</u>
IV Pole	
<input type="checkbox"/> IV Pole (height adjustable and collapsible)°	\$267
<input type="checkbox"/> IV Pole Swing-Away Hardware	\$192
<input type="checkbox"/> Vertical O2 Tank Holder*1	\$245
<input type="checkbox"/> LTV Ventilator Holder ¹	\$630
<input type="checkbox"/> Medical Necessity Storage Basket	\$412
<input type="checkbox"/> Ventilator/Suction/Hard Tray	\$630
<input type="checkbox"/> Extended Ventilator/Suction/Hard Tray (Lower Tray Only)	\$630

¹Manufacturer Installation Required.

°Requires Rear Anti-Tip Tubes.

***Cannot be used during transit.**

<u>R82 High-Low:xo Frame Options</u>	<u>Price</u>
Manual Lifts	
<input type="checkbox"/> High-Low:xo Frame, Manual Lift, Indoor, Size 1	\$2,730
Push Brace for High-Low:xo - Indoor (will interfere with 170° recline)	
<input type="checkbox"/> Push Brace - Fixed Angle	\$224
<input type="checkbox"/> Push Brace, Angle Adjustable	\$539
<input type="checkbox"/> Stingray Seat Module - Interface Adaptor Kit for Trekker Frame*	N/C

***Required with Trekker Frame.**

***The Trekker Transit option includes four manufacturer installed red wheelchair transportation anchors. The Trekker Transit model has been crash tested and conforms to RESNA WC19 standards. Anthropomorphic Test Device weights are TR12T 75lbs/34kg and TR14T 110lbs/50kg.

The Convoid Trekker Mobility Base was tested with the Trekker Seating Module equipped with a head support and wheelchair anchored pelvic lap belt. Do not use the foot positioners on the Convoid Trekker during transit in a motor vehicle. The performance and safety of accessories and/or other seating options not tested by Convoid is unknown, and no warranty or claim about their performance is or can be made.

Furthermore, when being transported in a vehicle it is Convoid's position that the wheelchair user transfer from the wheelchair into appropriate vehicle seating during transportation. Please note that at this time, the Department of Transportation has not officially approved any tie-down system for a user while in a wheelchair, therefore Convoid cannot recommend a transit system.

For more information on RESNA WC-19 and WC-20 standards please visit <http://www.rercwts.pitt.edu/WC19.html>.

TR12	TR14
C904572	C904599
C904690	C904691
C904556	C904590
C905361	C905361
C904586	C904610
C904531	C904531
C904790	C904791
C904572	C904599
C904690	C904691
C904788	C904789
C904572	C904599
C904690	C904691

TR12	TR14
C904688	C904688
C904117	C904117
C904118	C904118

TR12	TR14
C904576	C904576
C903094	C903094
C904689	C904689
C904649	C904649
C905310	C905310
C904605	C904605

TR12	TR14
C904566	C904566
C905612	C905612
C904565	C904565
C904671	C904671
C904606	C904606
C904595	C904595
C905416	C905416

TR12	TR14
C905366	C905366
C905368	C905368
C905369	C905369
C905363	C905363

HCPCS codes are provided for your convenience and are NOT to be considered billing or legal advice. Providers are responsible for insuring that appropriate billing codes are used when submitting claims. Proper use of HCPCS codes does not insure coverage or payment. Contact the appropriate payer for coverage information.

Standard Domestic Shipping Rate: \$40 • For expedited shipping rates, please call 1-844-876-6245

Prices in USD & subject to change, ex works Torrance, California.

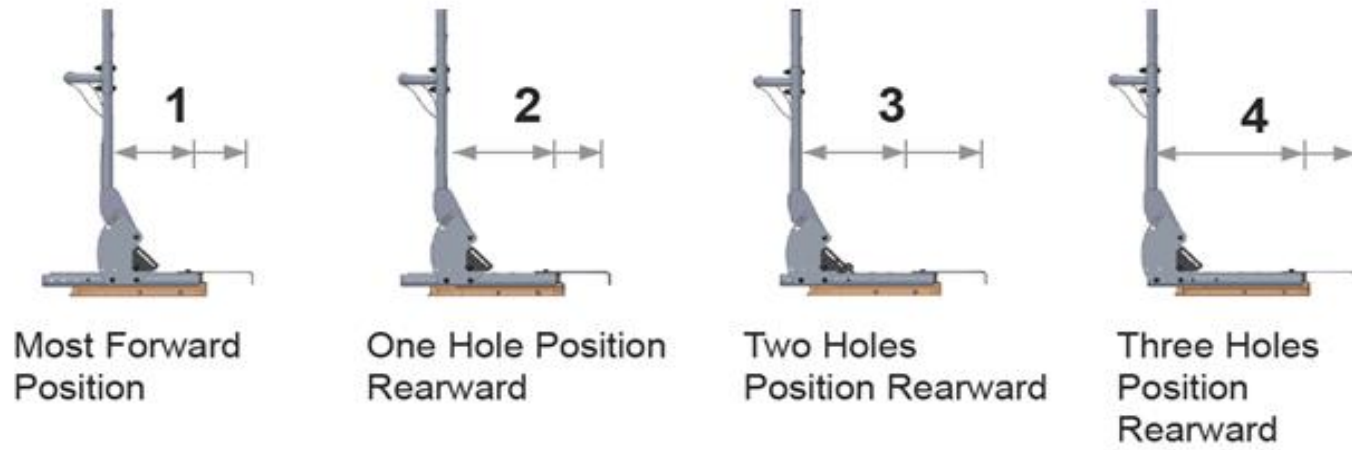
Effective: 1/10/2024

Convoid
2830 California Street
Torrance, CA 90503
1 844-US-MOBILITY (844-876-6245)
www.etac.us.com

OF1802-ENG-REV.10
etac[®]
Creating Possibilities

Seat Depth Adjustable Positions:

Seat Depth Growth				
Position:	1	2	3	4
TR12:	5.5" - 8"	7.5" - 10"	9.5" - 12"	N/A
TR14:	8" - 10"	10" - 12"	12" - 14"	13" - 15"



Trekker Top Vests Belt Slot (Shoulder) Height from Seat Pan

	Minimum	Maximum
TR12 Integrated Headrest	9"	13"
TR12 Separate Headrest	13"	17"
TR14 Separate Headrest	17"	26"

Seating Module Specifications:**Convoid Trekker Seating Module Specifications**

Seat Width with Accessories	TR 12 (Size 1)	TR 14 (Size 2)
Trunk Width between Fixed Laterals (With Comfort Wings/Without Comfort Wings)	7.5" - 8" / 7.5" - 12"	9.5" - 10" / 9.5" - 14"
Trunk Width between Swing-Away Laterals (With Comfort Wings/Without Comfort Wings)	6" - 8" / 6" - 10"	7" - 9.5" / 7" - 14"
Hip Width between Hip Guides Without Armrests	5.5" - 11.5"	6.5" - 14"
Hip Width between Hip Guides With Armrests	5.5" - 11.5"	6.5" - 14"

Convoid Trekker Seat to Footplate Dimensions

Seat to Footplate Dimensions	TR 12 (Size 1)	TR 14 (Size 2)
Fixed 90° with one piece footplate	5.5" - 11.5"	5.5" - 11.5"
Fixed 90° with one piece footplate (flipped)	3.25" - 9.25"	3.25" - 9.25"
ELR with one piece footplate	4.75" - 10.75"	6.25" - 12.25"
ELR with one piece footplate (flipped)	2" - 8"	4.25" - 10.25"
ELR with individual footplates	5" - 11"	7" - 13"
ELR with individual footplates (flipped)	2" - 5"	4" - 7"