

# Convoid Trekker - HCPCS E1234

## Canadian Retail Price List / Order Form

Account #: \_\_\_\_\_

Purchase Order #: \_\_\_\_\_ Date: \_\_\_\_\_

Contact: \_\_\_\_\_

Mark For: \_\_\_\_\_

|                 |                 |
|-----------------|-----------------|
| Bill To:        | Ship To:        |
| Address:        | Address:        |
| City/State/Zip: |                 |
| Phone:          | City/State/Zip: |
| Email:          | Phone:          |

### Trekker Standard Features:

- **TR14 Base Accepts TR12 & TR14 Seating**
- Tilt-in-Space (-10° to +45°)
- 180° Reversible Seating Configuration
- 90° Fixed Front Rigging
- Single Foot Activated Wheel Lock Bar
- 7.5" x 2" Front and 11.5" x 2.5" Rear Solid Tires
- One Piece Height Adjustable Push Handle (Inside Mount)

- Silver Powder Coated Frame
- 90° Fixed Footplate
- Quick Release Rear Wheels
- Seat to Back Angle (80° to 110°)
- Comfort Wing Support
- Depth Adjustable Seat Pan
- Made in the USA

**Standard Models:**

- Trekker TR14 - 904661

**Price**  
**\$3,270**

**All prices in CAD**

| <u>Trekker Seating Module</u>  | <u>Price</u> | <u>TR14</u> |
|--|--------------|-------------|
| <b>Back Module Options - Select one below:</b>   |              |             |
| <input type="checkbox"/> Back Canes Only (12) <sup>1</sup>   | N/C          | 904768      |
| <input type="checkbox"/> Back Canes Only (14) <sup>1</sup>   | N/C          | 904769      |
| <input type="checkbox"/> Height Adjustable Solid Back (12) (Back Height Adjustment Range 9" - 17") <sup>1</sup>  | \$683        | 904662      |
| <input type="checkbox"/> Height Adjustable Solid Back (14) (Back Height Adjustment Range 17" - 26") <sup>1</sup> | \$683        | 904663      |
| <input type="checkbox"/> Comfort Wings Assembly (LH) (12) (Required with TR12 Back Pan)                          | N/C          | 904617      |
| <input type="checkbox"/> Comfort Wings Assembly (RH) (12) (Required with TR12 Back Pan)                          | N/C          | 904618      |
| <b>Back Cushion:**</b>   |              |             |
| <input type="checkbox"/> Snuggle Upholstery Back Cushion - Short (12: 12x18)                                     | N/C          | 904696      |
| <input type="checkbox"/> Snuggle Upholstery Back Cushion - Short (14: 14x22)                                     | N/C          | 904698      |
| <input type="checkbox"/> Snuggle Upholstery Back Cushion - Tall (14: 14x26)                                      | N/C          | 904699      |
| <b>Seating Module Options (See chart on last page of order form):</b>  |              |             |
| <input type="checkbox"/> TR12 Seat Depth Position 1  | \$0          | 905354      |
| <input type="checkbox"/> TR12 Seat Depth Position 2  | \$0          | 905355      |
| <input type="checkbox"/> TR12 Seat Depth Position 3  | \$0          | 905356      |
| <input type="checkbox"/> TR14 Seat Depth Position 1  | \$0          | 905357      |
| <input type="checkbox"/> TR14 Seat Depth Position 2  | \$0          | 905358      |
| <input type="checkbox"/> TR14 Seat Depth Position 3  | \$0          | 905359      |
| <input type="checkbox"/> TR14 Seat Depth Position 4  | \$0          | 905360      |
| <b>Upholstery Color:</b>   |              |             |
| <input type="checkbox"/> Panther Black   | N/C          | 903854      |
| <input type="checkbox"/> Royal Blue  | N/C          | 903850      |
| <input type="checkbox"/> Chocolate Brown   | N/C          | 904189      |
| <input type="checkbox"/> Forest Green  | N/C          | 903857      |
| <input type="checkbox"/> Sassy Purple  | N/C          | 903851      |
| <input type="checkbox"/> Princess Pink   | N/C          | 903759      |
| <input type="checkbox"/> Cherry Red  | N/C          | 903855      |
| <input type="checkbox"/> Aqua Blue   | N/C          | 904753      |
| <input type="checkbox"/> Apple Green   | N/C          | 904754      |
| <b>Extra Back Cushion Options*</b>   |              |             |
| <input type="checkbox"/> Lumbar Support  | \$48         | 904664      |
| <b>Contoured Seat Cushion**</b>  |              |             |
| <input type="checkbox"/> Snuggle Contoured Seat Cushion - Short Cordura (12: 12x11)                              | \$444        | 905414      |
| <input type="checkbox"/> Snuggle Contoured Seat Cushion - Short Cordura (14: 14x13)                              | \$444        | 904781      |
| <input type="checkbox"/> Snuggle Contoured Seat Cushion - Long Cordura (12: 12x14)                               | \$444        | 905415      |
| <input type="checkbox"/> Snuggle Contoured Seat Cushion - Long Cordura (14: 14x16)                               | \$444        | 904783      |
| <input type="checkbox"/> Snuggle Contoured Seat Cushion - Short Spacer Fabric (12: 12x11)                        | \$444        | 904780      |
| <input type="checkbox"/> Snuggle Contoured Seat Cushion - Long Spacer Fabric (12: 12x14)                         | \$444        | 904782      |
| <input type="checkbox"/> Snuggle Contoured Seat Cushion - Short Spacer Fabric (14: 14x13)                        | \$444        | 905429      |
| <input type="checkbox"/> Snuggle Contoured Seat Cushion - Long Spacer Fabric (14: 14x16)                         | \$444        | 905430      |
| <b>Planar Seat Cushion**</b>   |              |             |
| <input type="checkbox"/> Snuggle Planar Seat Cushion - Short Cordura (12: 12x12)                                 | \$403        | 905412      |
| <input type="checkbox"/> Snuggle Planar Seat Cushion - Short Cordura (14: 14x14)                                 | \$403        | 904710      |
| <input type="checkbox"/> Snuggle Planar Seat Cushion - Long Cordura (12: 12x15)                                  | \$403        | 905413      |
| <input type="checkbox"/> Snuggle Planar Seat Cushion - Long Cordura (14: 14x17)                                  | \$403        | 904711      |
| <input type="checkbox"/> Snuggle Planar Seat Cushion - Short Spacer Fabric (14: 14x14)                           | \$403        | 905425      |
| <input type="checkbox"/> Snuggle Planar Seat Cushion - Long Spacer Fabric (14: 14x17)                            | \$403        | 905426      |
| <input type="checkbox"/> Snuggle Planar Seat Cushion - Short Spacer Fabric (12: 12x12)                           | \$403        | 904708      |
| <input type="checkbox"/> Snuggle Planar Seat Cushion - Long Spacer Fabric (12: 12x15)                            | \$403        | 904709      |

<sup>1</sup>Manufacturer Installation Required.

<sup>2</sup>Fast tab is only added to Cushion if 3-Pt Belt is added. New Cushion is required if 3-Pt Belt is added after-market.

\*All seat cushions must have fast tab for aftermarket 3-Pt Belt and H-Harness.

\*\*Back cushion dimensions are seat pan to top of back pan.

| <u>Transit Required Items<sup>^</sup></u>                                    | <u>Price</u> | <u>TR14</u> |
|--|--------------|-------------|
| <input type="checkbox"/> Transit Option (Manufacturer Installation Required) | \$273        | 904576      |
| <input type="checkbox"/> Using other manufacturer's Head Support             | \$0          | 995681      |

<sup>^</sup>Requires Head Support and Pelvic Positioning Belt.

| <u>Transit Options</u>                              | <u>Price</u> | <u>TR14</u> |
|---|--------------|-------------|
| <input type="checkbox"/> Q'Straint Transit Lap Belt | \$123        | 903094      |
| <input type="checkbox"/> Sure-Lok Transit Lap Belt  | \$123        | 903232      |

|  | <u>Price</u> |
|--|--------------|
| <input type="checkbox"/> 2-Point Pelvic Positioning Belt (Size 0)                                | \$61         |
| <input type="checkbox"/> 3-Pt Positioning Belt (Trekker Seat Cushion Required)                   | \$67         |
| <b>4-Point Pelvic Positioning Belt by R82 (Hardware Required)</b>                                |              |
| <input type="checkbox"/> Hip Width: 6.75" - 12.5" (Size XS)                                      | \$183        |
| <input type="checkbox"/> Hip Width: 8.25" - 13.75" (Size S)                                      | \$183        |
| <input type="checkbox"/> Hip Width: 9.75" - 16.25" (Size M)                                      | \$183        |
| <input type="checkbox"/> Hip Width: 12.5" - 17.25" (Size L)                                      | \$183        |
| <input type="checkbox"/> Hip Width: 16.25" - 20.5" (Size XL)                                     | \$183        |
| <input type="checkbox"/> Camlock Kit for 4-Point Belt  | N/C          |
| <b>Left Width, Height Adj. Lateral Pelvic Support (Hip Guide w/out Armrest)</b>                  |              |
| <input type="checkbox"/> Small - 4.5" - 5.5" (H)* (12)   | \$165        |
| <input type="checkbox"/> Large - 5.25" - 6.25" (H)* (12)   | \$165        |
| <input type="checkbox"/> Small - 4.5" - 5.5" (H)* (14)   | \$165        |
| <input type="checkbox"/> Large - 5.25" - 6.25" (H)* (14)   | \$165        |
| <b>Right Width, Height Adj. Lateral Pelvic Support (Hip Guide w/out Armrest)</b>                 |              |
| <input type="checkbox"/> Small - 4.5" - 5.5" (H)* (12)   | \$165        |
| <input type="checkbox"/> Large - 5.25" - 6.25" (H)* (12)   | \$165        |
| <input type="checkbox"/> Small - 4.5" - 5.5" (H)* (14)   | \$165        |
| <input type="checkbox"/> Large - 5.25" - 6.25" (H)* (14)   | \$165        |
| <b>Left Width, Adj Pelvic Support w/Height Adj. Armrest (Hip Guide w/ Armrest) (n/a w/Tray)</b>  |              |
| <input type="checkbox"/> Small - 5"-6"(H) (12)*  | \$198        |
| <input type="checkbox"/> Small - 5"-6"(H) (14)*  | \$198        |
| <input type="checkbox"/> Large - 7"-8" (H)* (14)   | \$198        |
| <b>Right Width, Adj Pelvic Support w/Height Adj. Armrest (Hip Guide w/ Armrest) (n/a w/Tray)</b> |              |
| <input type="checkbox"/> Small - 5"-6"(H) (12)*  | \$198        |
| <input type="checkbox"/> Small - 5"-6"(H) (14)*  | \$198        |
| <input type="checkbox"/> Large - 7"-8" (H)* (14)   | \$198        |

\*Height is reduced by 1" when used with Planar Seat Cushion or 2" if used with Contoured Seat Cushion.

| TR14    |
|---------|
| 905386  |
| 904017T |
| 905148  |
| 905149  |
| 905150  |
| 905151  |
| 905475  |
| 905395  |
| 904935  |
| 905040  |
| 905042  |
| 904937  |
| 904936  |
| 905041  |
| 905043  |
| 904938  |
| 904611  |
| 904613  |
| 904927  |
| 904612  |
| 904614  |
| 904928  |

|  | <u>Price</u> |
|--|--------------|
| <input type="checkbox"/> Angle Adjustable Elevating Leg Rest (90° - 180°) Pair (12) <sup>1</sup>                       | \$342        |
| <input type="checkbox"/> Angle Adjustable Elevating Leg Rest (90° - 180°) Pair (14) <sup>1</sup>                       | \$342        |
| <input type="checkbox"/> Padded Elevating Legrest Cover (Pair)   | \$21         |
| <input type="checkbox"/> Individual Angle Adjustable Footplates - Pair (Elevating Leg Rest Required) (12) <sup>1</sup> | \$244        |
| <input type="checkbox"/> Individual Angle Adjustable Footplates - Pair (Elevating Leg Rest Required) (14) <sup>1</sup> | \$244        |
| <input type="checkbox"/> One Piece Angle Adjustable Flip Up Footplate (-15° - +15°) (12)                               | \$151        |
| <input type="checkbox"/> One Piece Angle Adjustable Flip Up Footplate (-15° - +15°) (14)                               | \$151        |
| <input type="checkbox"/> Full Padded Footbox (One-Piece Footplate Required) (12)                                       | \$444        |
| <input type="checkbox"/> Full Padded Footbox (One-Piece Footplate Required) (14)                                       | \$444        |
| <b>Medial Knee Abductor (Pommel)</b>   |              |
| <input type="checkbox"/> Small (1.5" front width, 3.5" depth, 2" back width, 2.25" height)                             | \$221        |
| <input type="checkbox"/> Medium (2.6" front width, 4.1" depth, 2" back width, 2.7" height)                             | \$221        |
| <b>Foot Positioners (Pair)**</b>   |              |
| <input type="checkbox"/> Small 7" - 10"  | \$215        |
| <input type="checkbox"/> Medium 8" - 11"   | \$215        |
| <input type="checkbox"/> Large 9" - 12"  | \$215        |
| <b>Therapin Shoe Holders w/Padded Straps (Pair)**</b>  |              |
| <input type="checkbox"/> Small   | \$256        |
| <input type="checkbox"/> Medium  | \$256        |
| <input type="checkbox"/> Calf Panel (E.I.) H: 3.5" ^^  | \$83         |
| <input type="checkbox"/> Calf Panel (Standard) H: 6"   | \$83         |

\*\*Cannot be used during transit.

<sup>1</sup>Manufacturer Installation Required.

^^Use with Seat-to-Footplate range 4" - 7".

| TR14   |
|--------|
| 905046 |
| 905047 |
| 904619 |
| 905049 |
| 905050 |
| 904568 |
| 904596 |
| 904955 |
| 904956 |
| 904557 |
| 904591 |
| 903415 |
| 903416 |
| 903417 |
| 904679 |
| 904680 |
| 905370 |
| 904580 |

|   | <u>Price</u> |
|---|--------------|
| <input type="checkbox"/> H-Harness w/ Padded Covers^^                         | \$177        |
| <b>Neoprene Vest by R82 (Hardware Required)</b>                               |              |
| <input type="checkbox"/> LT Shoulder to RT Hip: 7.75" - 10.75" (Size XS)      | \$273        |
| <input type="checkbox"/> LT Shoulder to RT Hip: 10.75" - 12.5" (Size S)       | \$273        |
| <input type="checkbox"/> LT Shoulder to RT Hip: 12.5" - 16" (Size M)          | \$273        |
| <input type="checkbox"/> LT Shoulder to RT Hip: 16" - 18.5" (Size L)          | \$273        |
| <input type="checkbox"/> LT Shoulder to RT Hip: 18.5" - 20.5" (Size XL)       | \$273        |
| <input type="checkbox"/> LT Shoulder to RT Hip: 20.5" - 23.5" (Size XXL)      | \$273        |
| <input type="checkbox"/> Camlock Kit for Vest (Required for Vest)             | N/C          |
| <b>Chest Belt, Upholstered by R82 (Hardware Required)</b>                     |              |
| <input type="checkbox"/> W: 11.25" x D:7.5" x H: 9.25-12" (Size 1)            | \$369        |
| <input type="checkbox"/> W: 14" X D: 10.25" X H: 10.25-12.75" (Size 2)        | \$369        |
| <input type="checkbox"/> W: 16.25" X D: 12.5" X H: 10.25-12.75" (Size 3)      | \$369        |
| <input type="checkbox"/> W: 20.25" X D: 16" X H: 11.25-14.5" (Size 4)         | \$369        |
| <input type="checkbox"/> Camlock Kit for Vest (Required for Vest)             | N/C          |
| <b>Cross Vest by R82 (Hardware Required)</b>                                  |              |
| <input type="checkbox"/> LT Shoulder to RT Hip: 7.75" - 12.5" (Size XS)       | \$259        |
| <input type="checkbox"/> LT Shoulder to RT Hip: 10.25" - 13.5" (Size S)       | \$259        |
| <input type="checkbox"/> LT Shoulder to RT Hip: 13.5" - 17.75" (Size M)       | \$259        |
| <input type="checkbox"/> LT Shoulder to RT Hip: 17.75" - 20.75" (Size L)      | \$259        |
| <input type="checkbox"/> LT Shoulder to RT Hip: 20.75" - 24.5" (Size XL)      | \$259        |
| <input type="checkbox"/> Camlock Kit for Vest (Required for Vest)             | N/C          |
| <b>Left - Width, Height Adj. Lateral Thoracic Support - Fixed Laterals</b>    |              |
| <input type="checkbox"/> Size 1: 4" (D) x 4.5" (H)****^                       | \$198        |
| <input type="checkbox"/> Size 2: 5" (D) x 4.5" (H)****^                       | \$198        |
| <input type="checkbox"/> Size 3: 6" (D) x 4.5" (H)****^                       | \$198        |
| <b>Right - Width, Height Adj. Lateral Thoracic Support - Fixed Laterals</b>   |              |
| <input type="checkbox"/> Size 1: 4" (D) x 4.5" (H)****^                       | \$198        |
| <input type="checkbox"/> Size 2: 5" (D) x 4.5" (H)****^                       | \$198        |
| <input type="checkbox"/> Size 3: 6" (D) x 4.5" (H)****^                       | \$198        |
| <b>Left - Height Adj. Lateral Thoracic Support - Swing Away Laterals</b>      |              |
| <input type="checkbox"/> Size 1: 4" (D) x 2.75" (H)*                          | \$161        |
| <input type="checkbox"/> Size 2: 5.75" (D) x 4.25" (H)*                       | \$161        |
| <input type="checkbox"/> Swing Away Adj. Hardware (Required for S/A Laterals) | \$326        |
| <b>Right - Height Adj. Lateral Thoracic Support - Swing Away Laterals</b>     |              |
| <input type="checkbox"/> Size 1: 4" (D) x 2.75" (H)*                          | \$161        |
| <input type="checkbox"/> Size 2: 5.75" (D) x 4.25" (H)*                       | \$161        |
| <input type="checkbox"/> Swing Away Adj. Hardware (Required for S/A Laterals) | \$326        |
| <input type="checkbox"/> 1" Thick Padded Lateral Support Cover                | \$68         |

\*Pad Size.

^^Requires the Height Adjustable Solid Back System and 3-Pt Belt.

\*\*\*\*Requires the Height Adjustable Solid Back System.

^Depth of Laterals is reduced by 1" with back upholstery.

| TR14   |
|--------|
| 904695 |
| 905476 |
| 905152 |
| 905153 |
| 905154 |
| 905480 |
| 905481 |
| 905394 |
| 905155 |
| 905156 |
| 905157 |
| 905158 |
| 905394 |
| 905176 |
| 905177 |
| 905178 |
| 905179 |
| 905180 |
| 905394 |
| 904760 |
| 904876 |
| 904877 |
| 904761 |
| 904886 |
| 904887 |
| 904864 |
| 904866 |
| 904884 |
| 904865 |
| 904867 |
| 904885 |
| 905411 |

| <b>Head Supports</b>  |  | <b>Price</b> | <b>TR14</b> |
|---|--|--------------|-------------|
| <input type="checkbox"/>  | Height Adjustable Curved Head Support****  | \$307        | 904607      |
| <input type="checkbox"/>  | Adjustable Wing Head Support****   | \$362        | 904608      |
| <input type="checkbox"/>  | Integrated Adj Head Support Assembly (TR12 Only)   | \$92         | 904615      |
| <b>Anatomic Headrest with Cover by R82 (Requires Headrest Universal Mount &amp; Swing-Away Mounting Bracket)</b>                |  |              |             |
| <input type="checkbox"/>  | Small  | \$348        | 904950      |
| <input type="checkbox"/>  | Medium   | \$348        | 904951      |
| <input type="checkbox"/>  | Large  | \$348        | 904952      |
| <b>Swing-Away Mounting Bracket - Height, Depth, Angle &amp; Lateral Adjustable by R82</b>                                       |  |              |             |
| <input type="checkbox"/>  | Turtle Neck Bar System, Short  | \$314        | 904948      |
| <input type="checkbox"/>  | Turtle Neck Bar System, Long   | \$314        | 904947      |
| <b>R82 Adjustable Width Headrest, Dynamic - Long (Requires Headrest Universal Mount &amp; Swing-away Mounting Bracket)</b>      |  |              |             |
| <input type="checkbox"/>  | Adjustable Width Headrest Large Laterals w/Speakers, Dynamic, Black Cover - Long               | \$656        | 905282      |
| <input type="checkbox"/>  | Adjustable Width Headrest, Large Laterals, Dynamic, Black Cover - Long                         | \$526        | 905173      |
| <input type="checkbox"/>  | Adjustable Width Headrest Two Laterals, Dynamic, Black Cover - Long                            | \$526        | 905288      |
| <input type="checkbox"/>  | Adjustable Width Headrest Four Laterals, Dynamic, Black Cover - Long                           | \$526        | 905174      |
| <b>R82 Adjustable Width Headrest, Dynamic - Short (Requires Headrest Universal Mount &amp; Swing-away Mounting Bracket)</b>     |  |              |             |
| <input type="checkbox"/>  | Adjustable Width Headrest Large Laterals w/Speakers, Dynamic, Black Cover - Short              | \$656        | 905284      |
| <input type="checkbox"/>  | Adjustable Width Headrest, Large Laterals, Dynamic, Black Cover - Short                        | \$526        | 905286      |
| <input type="checkbox"/>  | Adjustable Width Headrest Two Laterals, Dynamic, Black Cover - Short                           | \$526        | 905175      |
| <input type="checkbox"/>  | Adjustable Width Headrest Four Laterals, Dynamic, Black Cover - Short                          | \$526        | 905290      |
| <b>R82 Adjustable Width Headrest, Non-Dynamic - Long (Requires Headrest Universal Mount &amp; Swing-away Mounting Bracket)</b>  |  |              |             |
| <input type="checkbox"/>  | Adjustable Width Headrest Large Laterals w/Speakers, Non-Dynamic, Black Cover - Long           | \$553        | 905281      |
| <input type="checkbox"/>  | Adjustable Width Headrest, Large Laterals, Non-Dynamic, Black Cover - Long                     | \$416        | 905170      |
| <input type="checkbox"/>  | Adjustable Width Headrest Two Laterals, Non-Dynamic, Black Cover - Long                        | \$416        | 905289      |
| <input type="checkbox"/>  | Adjustable Width Headrest Four Laterals, Non-Dynamic, Black Cover - Long                       | \$416        | 905291      |
| <b>R82 Adjustable Width Headrest, Non-Dynamic - Short (Requires Headrest Universal Mount &amp; Swing-away Mounting Bracket)</b> |  |              |             |
| <input type="checkbox"/>  | Adjustable Width Headrest Large Laterals w/Speakers, Non-Dynamic, Black Cover - Short          | \$553        | 905285      |
| <input type="checkbox"/>  | Adjustable Width Headrest, Large Laterals, Non-Dynamic, Black Cover - Short                    | \$416        | 905287      |
| <input type="checkbox"/>  | Adjustable Width Headrest Two Laterals, Non-Dynamic, Black Cover - Short                       | \$416        | 905172      |
| <input type="checkbox"/>  | Adjustable Width Headrest Four Laterals, Non-Dynamic, Black Cover - Short                      | \$416        | 905171      |
| <input type="checkbox"/>  | Headrest Universal Mount (R82 Compatible) (Accommodates most manufacturer's head supports)**** | \$75         | 904946      |

\*\*\*\*Requires the Height Adjustable Solid Back System.

| <b>Frame Option</b>      |   | <b>Price</b> | <b>TR14</b> |
|--------------------------|---|--------------|-------------|
| <input type="checkbox"/> | Recline System (80 to 170 degrees) (Manufacturer Installation Required) | \$656        | 905053      |
| <input type="checkbox"/> | Height Adjustable Push Handle (Outside Mount)                           | N/C          | 904688      |

| <b>R82 High-Low:x Frame Options</b> |   | <b>Price</b> | <b>TR14</b> |
|-------------------------------------|---|--------------|-------------|
| <input type="checkbox"/>            | R82 High-Low:x sz 1, Manual Lift (Height Range: 6½" - 23½") 132lbs. Max | \$2,054      | 905366      |
| <input type="checkbox"/>            | R82 High-Low:x sz 2, Manual Lift (Height Range: 6¾" - 23¾") 132lbs. Max | \$2,452      | 905367      |
| <input type="checkbox"/>            | Push Brace - Fixed Angle  | \$209        | 905368      |
| <input type="checkbox"/>            | Push Brace, Angle Adjustable  | \$501        | 905369      |
| <input type="checkbox"/>            | Stingray Seat Module - Interface Adaptor Kit for Trekker Frame*         | N/C          | 905363      |

\*Required with Trekker Frame.

| <b>Tire Options</b>      |   | <b>Price</b> | <b>TR14</b> |
|--------------------------|---|--------------|-------------|
| <input type="checkbox"/> | 12.5" x 2" Rear Solid Knobby Tire                 | \$272        | 904117      |
| <input type="checkbox"/> | 7.5" x 2" Front, 12.5" Rear Pneumatic Knobby Tire | \$409        | 904118      |

| <b>Medical Support Accessories</b> |   | <b>Price</b> | <b>TR14</b> |
|------------------------------------|---|--------------|-------------|
| <input type="checkbox"/>           | IV Pole (height adjustable and collapsible)°            | \$205        | 904566      |
| <input type="checkbox"/>           | O2 Tank Holder*1  | \$239        | 904565      |
| <input type="checkbox"/>           | LTV Ventilator Holder 1                                 | \$615        | 904671      |
| <input type="checkbox"/>           | Ventilator/Suction/Hard Tray                            | \$615        | 904595      |
| <input type="checkbox"/>           | Extended Ventilator/Suction/Hard Tray (Kit)             | \$716        | 905326      |
| <input type="checkbox"/>           | Extended Ventilator/Suction/Hard Tray (Lower Tray Only) | \$615        | 905416      |

°Requires Rear Anti-Tip Tubes.

\*Cannot be used during transit.

1Manufacturer Installation Required.

| <b>Accessories</b>                     |   | <b>Price</b> | <b>TR14</b> |
|--|---|--------------|-------------|
| <b>Headrest Cover Options (Canopy)</b> |   |              |             |
| <input type="checkbox"/>               | Headrest Cover (Canopy) (12)  | \$310        | 904572      |
| <input type="checkbox"/>               | Headrest Cover (Canopy) (14)  | \$310        | 904599      |
| <input type="checkbox"/>               | Extended Headrest Cover - No Windows (Canopy) (12)  | \$348        | 904690      |
| <input type="checkbox"/>               | Extended Headrest Cover - No Windows (Canopy) (14)  | \$348        | 904691      |
| <input type="checkbox"/>               | Extended Headrest Cover - with Windows (Canopy) (12)                                      | \$403        | 904573      |
| <input type="checkbox"/>               | Extended Headrest Cover - with Windows (Canopy) (14)                                      | \$403        | 904600      |
| <input type="checkbox"/>               | Upper Extremity Support Tray (Clear Tray) (Hardware Required) (Reversible) (12) (14)*^°°° | \$151        | 904556      |
| <input type="checkbox"/>               | Upper Extremity Support Tray (Clear Tray) (Hardware Required) (14)*^°°°                   | \$151        | 904590      |
| <input type="checkbox"/>               | Adj Removable Hardware (Required for Clear Tray)  | \$309        | 905361      |
| <input type="checkbox"/>               | Padded Tray Cover*°°° (Clear Tray Required) (Reversible) (12) (14)                        | \$89         | 904586      |
| <input type="checkbox"/>               | Padded Tray Cover*°°° (Clear Tray Required) (14)  | \$89         | 904610      |
| <input type="checkbox"/>               | Curb Tipper   | \$133        | 905310      |
| <input type="checkbox"/>               | Caster Locks (Manufacturer Installation Required)   | \$128        | 904689      |
| <input type="checkbox"/>               | Rear Anti-Tip Tubes   | \$154        | 904649      |
| <input type="checkbox"/>               | Under Seat Storage Basket (14)  | \$165        | 904605      |
| <input type="checkbox"/>               | Medical Necessity Storage Basket (14)   | \$403        | 904606      |
| <input type="checkbox"/>               | Utility Bag   | \$51         | 904531      |
| <input type="checkbox"/>               | Rain Cover (Headrest Cover Required) (12)   | \$239        | 904790      |
| <input type="checkbox"/>               | Rain Cover (Headrest Cover Required) (14)   | \$239        | 904791      |
| <input type="checkbox"/>               | Mosquito Net (Headrest Cover Required) (12)   | \$205        | 904788      |
| <input type="checkbox"/>               | Mosquito Net (Headrest Cover Required) (14)   | \$205        | 904789      |

\*Cannot be used during transit.

^Not available with arm rests.

\*\*\*The Trekker Transit option includes four manufacturer installed red wheelchair transportation anchors. The Trekker Transit model has been crash tested and conforms to RESNA WC19 standards. Anthropomorphic Test Device weights are TR12T 75lbs/34kg and TR14T 110lbs/50kg.

The Convoid Trekker Mobility Base was tested with the Trekker Seating Module equipped with a head support and wheelchair anchored pelvic lap belt. Do not use the foot positioners on the Convoid Trekker during transit in a motor vehicle. The performance and safety of accessories and/or other seating options not tested by Convoid is unknown, and no warranty or claim about their performance is or can being made.

Furthermore, when being transported in a vehicle it is Convoid's position that the wheelchair user transfer from the wheelchair into appropriate vehicle seating during transportation. Please note that at this time, the Department of Transportation has not officially approved any tie-down system for a user while in a wheelchair, therefore Convoid cannot recommend a transit system.

For more information on RESNA WC-19 and WC-20 standards please visit <http://www.rercwts.pitt.edu/WC19.html>.

*HCPCS codes are provided for your convenience and are NOT to be considered billing or legal advice. Providers are responsible for insuring that appropriate billing codes are used when submitting claims. Proper use of HCPCS codes does not insure coverage or payment. Contact the appropriate payer for coverage information.*

**Standard Shipping Rates: Ground \$69 • For expedited shipping rates, please call 1-844-876-6245**

2830 California St., Torrance, CA 90503 • 1-844-876-6245, 310-618-0111 • Fax: 310-618-2166

Prices in CAD & subject to change, ex works Torrance, California.

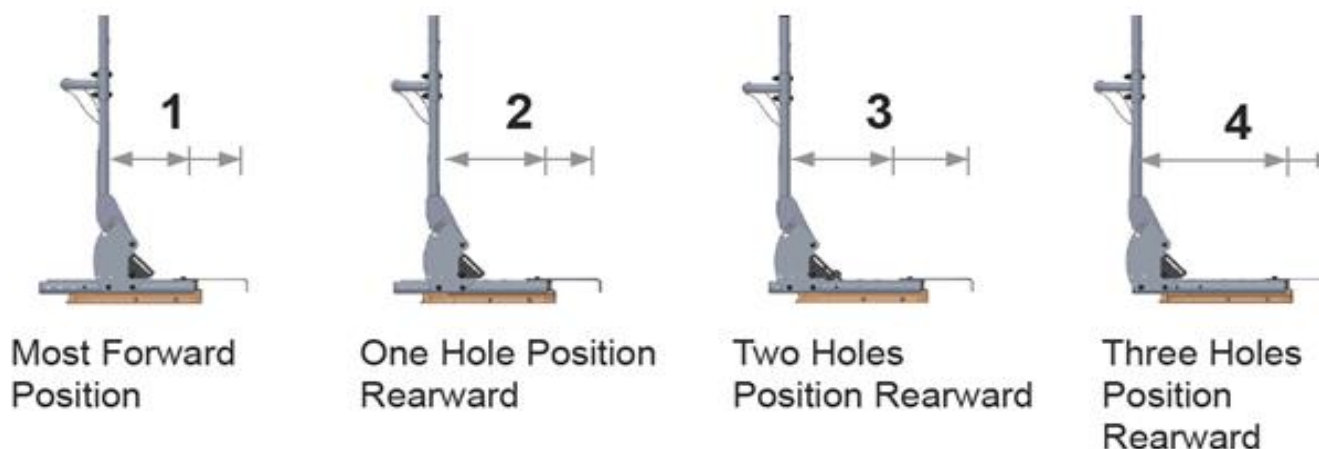
Effective: 1/1/2022

Convoid  
2830 California Street  
Torrance, CA 90503  
1 844-US-MOBILITY (844-876-6245)  
[www.etac.us.com](http://www.etac.us.com)

OF1802-ENG-REV.06  
 **etac**<sup>®</sup>  
Creating Possibilities

**Seat Depth Adjustable Positions:**

| <b>Seat Depth Growth</b> |           |            |            |           |
|--------------------------|-----------|------------|------------|-----------|
| Position:                | 1         | 2          | 3          | 4         |
| TR12:                    | 5.5" - 8" | 7.5" - 10" | 9.5" - 12" | N/A       |
| TR14:                    | 8" - 10"  | 10" - 12"  | 12" - 14"  | 13" - 15" |



**Trekker Top Vests Belt Slot (Shoulder) Height from Seat Pan**

|                             | Minimum | Maximum |
|-----------------------------|---------|---------|
| TR12<br>Integrated Headrest | 9"      | 13"     |
| TR12<br>Separate Headrest   | 13"     | 17"     |
| TR14<br>Separate Headrest   | 17"     | 26"     |

**Seating Module Specifications:**

| <b>Convoid Trekker Seating Module Specifications</b>                                  |                        |                         |
|---|------------------------|-------------------------|
| Seat Width with Accessories   | TR 12 (Size 1)         | TR 14 (Size 2)          |
| Trunk Width between Fixed Laterals<br>(With Comfort Wings/Without Comfort Wings)      | 7.5" - 8" / 7.5" - 12" | 9.5" - 10" / 9.5" - 14" |
| Trunk Width between Swing-Away Laterals<br>(With Comfort Wings/Without Comfort Wings) | 6" - 8" / 6" - 10"     | 7" - 9.5" / 7" - 14"    |
| Hip Width between Hip Guides Without Armrests   | 5.5" - 11.5"           | 6.5" - 14"              |
| Hip Width between Hip Guides With Armrests  | 5.5" - 11.5"           | 6.5" - 14"              |

| <b>Convoid Trekker Seat to Footplate Dimensions</b> |                |                |
|---|----------------|----------------|
| Seat to Footplate Dimensions                        | TR 12 (Size 1) | TR 14 (Size 2) |
| Fixed 90° with one piece footplate                  | 5.5" - 11.5"   | 5.5" - 11.5"   |
| Fixed 90° with one piece footplate (flipped)        | 3.25" - 9.25"  | 3.25" - 9.25"  |
| ELR with one piece footplate                        | 4.75" - 10.75" | 6.25" - 12.25" |
| ELR with one piece footplate (flipped)              | 2" - 8"        | 4.25" - 10.25" |
| ELR with individual footplates                      | 5" - 11"       | 7" - 13"       |
| ELR with individual footplates (flipped)            | 2" - 5"        | 4" - 7"        |