

Convaid Flyer Transit- HCPCS E1233/E1161

Retail Price List / Order Form

Account #: _____

Purchase Order #: _____

Date: _____

Contact: _____ ATP/RTS: _____

Mark For: _____

Bill To:	Ship To:
Address:	Address:
City/State/Zip:	
Phone:	City/State/Zip:
Email:	Phone:

Flyer Base Standard Features:

- CG Tilt-in-Space (-5° to +40°)
- 30° back angle adjustment (80° to 110°)
- Quick Release Rear Wheels
- Flip-up armrests - Long (Standard on FL15 and FL16)
- HCPCS code E1161 is only valid on chairs 15" or greater
- Removable Front Riggings with Fixed Angled Footplate (Choose Option Below)

- Single Foot Activated Wheel Lock
- Choice of 3 Mobility Base colors
- One Piece Push Handle
- Choice of three back cane heights
- Made in the USA

Transit Standard Features:

- Transit Anchor Brackets
- See bottom of order form regarding the specific configuration in which the chair was tested for WC-19.

Standard Models:

- Flyer Base Assembly with Transit - C905312
- Flyer Seat Module Transit - C905316

Price
\$856
\$2,273

Flyer Seating Module

- Flyer Seat Width 12"
- Flyer Seat Width 13"
- Flyer Seat Width 14"
- Flyer Seat Width 15"
- Flyer Seat Width 16"

Back Cane Fixed Heights* (7/8" diameter)- with Push Handles (Select One):

- Short: 19" - (Supports back height range: 13" - 19")*** (Cannot be used with IV Pole)
- Medium: 22" - (Supports back height range 13" - 22")***
- Tall: 25" - (Supports back height range 13" - 25")***

- Height Adjustable Back Pans (4 Pieces)

- Back Cushions & Cover (Includes Height Adjustable Back Pans) (13" - 25")****

Seat Depth Range Options (see chart on last page of order form)

- Position 1: 11"-15"
- Position 2: 13"-17"
- Position 3: 15"-19"
- Position 4: 17"- 21"

*Seat Depth is reduced by 1 1/2" when used with Solid Back System with Cushions and requires tools.

***Measured from pan to push handle bend.

****Height Adjustable Solid Back System w/Back Cushion HCPCS code only applies to pediatric sizes 12, 13, and 14.

Flyer Seating Module

Recline System (80 to 170 degrees) (Manufacturer installation required)

- Recline on Flyer 12, 13, 14
- Recline on Flyer 15 and 16±

Flip-up, Height Adjustable, Armrest - Pair (Select option for sizes 12, 13, or 14)*

- Height adjustable Flip-Up Armrests (pair) - Short 8.34" Length
- Height adjustable Flip-Up Armrests (pair) - Short 8.34" Length
- Height adjustable Flip-Up Armrests (pair) - Long 11.34" Length
- Height adjustable Flip-Up Armrests (pair) - Long 11.34" Length

Removable Adjustable, Armrest - Pair

- Height Adjustable Removable Armrests (pair) - Short 9.00" Length
- Height Adjustable Removable Armrests (pair) - Long 11.00" Length

One-Piece Height Adjustable Push Handle Option (+- 9" height adjustable from back canes height) (Select One):

- Outside Mount
- Inside Mount

- Two Piece Push Handle^

± For FL15 and FL16, use HCPCS code E1225.

*Flip-up armrest is standard on sizes 15 and 16.

^30 Day Standard Delivery.

Flyer Upholstery Color Options

Cushion Accent Color (cushion is black, color is for piping along sides) Select One:

- Royal Blue
- Forest Green
- Cherry Red
- Sassy Purple
- Princess Pink
- Panther Black
- Chocolate Brown
- Aqua Blue
- Apple Green

Matrix Back Support Options

- Matrix E2 (FLwidth x 10"h) Color Black Meshtex¹
- Matrix E2 (FLwidth x 12h) Color Black Meshtex¹
- Matrix E2 (FLwidth x 14"h) Color Black Meshtex¹
- Matrix E2 (FLwidth x 16"h) Color Black Meshtex¹
- Matrix E2 (FLwidth x 18"h) Color Black Meshtex¹
- Matrix E2 (FLwidth x 20"h) Color Black Meshtex¹

¹Must be ordered with Back Canes Only option.

Matrix Back Support Options - Deep

- Matrix E2 Deep (FLwidth x 10"h) Color Black Meshtex¹
- Matrix E2 Deep (FLwidth x 12"h) Color Black Meshtex¹
- Matrix E2 Deep (FLwidth x 14"h) Color Black Meshtex¹
- Matrix E2 Deep (FLwidth x 16"h) Color Black Meshtex¹
- Matrix E2 Deep (FLwidth x 18"h) Color Black Meshtex¹
- Matrix E2 Deep (FLwidth x 20"h) Color Black Meshtex¹

¹Must be ordered with Back Canes Only option.

Price	HCPCS	FL12	FL13	FL14	FL15	FL16
N/C		C905517				
N/C			C905518			
N/C				C905519		
N/C					C905520	
N/C						C905521
N/C		C905054	C905054	C905054	C905054	C905054
N/C		C905055	C905055	C905055	C905055	C905055
N/C		C905056	C905056	C905056	C905056	C905056
\$157		C905058	C905058	C905058	C905058	C905058
\$547	E2291	C905093	C905094	C905095	C905096	C905097
N/C		C905197	C905197	C905197	C905197	C905197
N/C		C905198	C905198	C905198	C905198	C905198
N/C		C905199	C905199	C905199	C905199	C905199
N/C		C905200	C905200	C905200	C905200	C905200

Price	HCPCS	FL12	FL13	FL14	FL15	FL16
\$501	E1014	C905037	C905037	C905037		
\$501	E1226				C905038	C905038
\$238	E0973	C905167	C905167	C905167		
\$0	E1225				C905167	C905167
\$238	E0973	C905168	C905168	C905168		
\$0	E1225				C905168	C905168
\$302	E0973	C905396	C905396	C905396	C905396	C905396
\$302	E0973	C905397	C905397	C905397	C905397	C905397
N/C		C905108	C905109	C905110	C905111	C905112
N/C		C905098	C905099	C905100	C905101	C905102
N/C		C905311	C905311	C905311	C905311	C905311

Price	HCPCS	FL12	FL13	FL14	FL15	FL16
N/C		C903850	C903850	C903850	C903850	C903850
N/C		C903857	C903857	C903857	C903857	C903857
N/C		C903855	C903855	C903855	C903855	C903855
N/C		C903851	C903851	C903851	C903851	C903851
N/C		C903759	C903759	C903759	C903759	C903759
N/C		C903854	C903854	C903854	C903854	C903854
N/C		C904189	C904189	C904189	C904189	C904189
N/C		C904753	C904753	C904753	C904753	C904753
N/C		C904754	C904754	C904754	C904754	C904754

Price	HCPCS	FL12	FL13	FL14	FL15	FL16
\$625	E2615			CE2S1410	CE2S1510	CE2S1610
\$625	E2615			CE2S1412	CE2S1512	CE2S1612
\$625	E2615			CE2S1414	CE2S1514	CE2S1614
\$625	E2615			CE2S1416	CE2S1516	CE2S1616
\$645	E2615			CE2S1418	CE2S1518	CE2S1618
\$645	E2615			CE2S1420	CE2S1520	CE2S1620

Price	HCPCS	FL12	FL13	FL14	FL15	FL16
\$755	E2620			CE2D1410	CE2D1510	CE2D1610
\$755	E2620			CE2D1412	CE2D1512	CE2D1612
\$755	E2620			CE2D1414	CE2D1514	CE2D1614
\$755	E2620			CE2D1416	CE2D1516	CE2D1616
\$775	E2620			CE2D1418	CE2D1518	CE2D1618
\$775	E2620			CE2D1420	CE2D1520	CE2D1620

Matrx Back Support Options - Mini

- Matrx Mini ((FLwidth-1)"w x 7"h) Color Kidabra¹
- Matrx Mini ((FLwidth-1)"w x 10"h) Color Kidabra¹
- Matrx Mini ((FLwidth-1)"w x 12"h) Color Kidabra¹
- Matrx Mini ((FLwidth-1)"w x 14"h) Color Kidabra¹
- Matrx Mini ((FLwidth-1)"w x 7"h) Color Pink¹
- Matrx Mini ((FLwidth-1)"w x 10h) Color Pink¹
- Matrx Mini ((FLwidth-1)"w x 12"h) Color Pink¹
- Matrx Mini ((FLwidth-1)"w x 14"h) Color Pink¹
- Matrx Mini ((FLwidth-1)"w x 7"h) Color Blue¹
- Matrx Mini ((FLwidth-1)"w x 10"h) Color Blue¹
- Matrx Mini ((FLwidth-1)"w x 12"h) Color Blue¹
- Matrx Mini ((FLwidth-1)"w x 14"h) Color Blue¹
- Matrx Mini ((FLwidth-1)"w x 7"h) Color Black Startex¹
- Matrx Mini ((FLwidth-1)"w x 10"h) Color Black Startex¹
- Matrx Mini ((FLwidth-1)"w x 12"h) Color Black Startex¹
- Matrx Mini ((FLwidth-1)"w x 14"h) Color Black Startex¹

¹*Must be ordered with Back Canes Only option.*

Price

- \$625
- \$625
- \$625
- \$625
- \$625
- \$625
- \$625
- \$625
- \$625
- \$625
- \$625
- \$625
- \$625
- \$625
- \$625
- \$625
- \$625
- \$625

HCPCS

- E2615
- E2615
- E2615
- E2615
- E2615
- E2615
- E2615
- E2615
- E2615
- E2615
- E2615
- E2615
- E2615
- E2615
- E2615
- E2615
- E2615
- E2615

CMINI1107-K	CMINI1207-K	CMINI1307-K
CMINI1110-K	CMINI1210-K	CMINI1310-K
CMINI1112-K	CMINI1212-K	CMINI1312-K
CMINI1114-K	CMINI1214-K	CMINI1314-K
CMINI1107-P	CMINI1207-P	CMINI1307-P
CMINI1110-P	CMINI1210-P	CMINI1310-P
CMINI1112-P	CMINI1212-P	CMINI1312-P
CMINI1114-P	CMINI1214-P	CMINI1314-P
CMINI1107-B	CMINI1207-B	CMINI1307-B
CMINI1110-B	CMINI1210-B	CMINI1310-B
CMINI1112-B	CMINI1212-B	CMINI1312-B
CMINI1114-B	CMINI1214-B	CMINI1314-B
CMINI1107-S	CMINI1207-S	CMINI1307-S
CMINI1110-S	CMINI1210-S	CMINI1310-S
CMINI1112-S	CMINI1212-S	CMINI1312-S
CMINI1114-S	CMINI1214-S	CMINI1314-S

Seat Options

Select One:

- Planar Seat Cushion (Includes Solid Seat Pan)** (Same Color as Selected Back Cushion)
- Seat Pan: 12"-16" Width, 4" Depth Growth ^^

****Planar Seat Cushion HCPCS code only applies to pediatric sizes 12, 13, and 14.**

^^Needed when using other manufacturer's seat cushion.

Price

- \$339
- \$157

HCPCS

- E2292
- E2231

	FL12	FL13	FL14	FL15	FL16
	C905083	C905084	C905085	C905086	C905087
	C905057	C905057	C905057	C905057	C905057

Matrx Seat Support Options - Libra

- Matrx Libra ((FLwidth)"w x 12"d) Color Black Startex²
- Matrx Libra ((FLwidth)"w x 14"d) Color Black Startex²
- Matrx Libra ((FLwidth)"w x 16"d) Color Black Startex²
- Matrx Libra ((FLwidth)"w x 18"d) Color Black Startex²
- Matrx Libra ((FLwidth)"w x 20"d) Color Black Startex²

²*Must be ordered with Seat Pan Only option*

Price

- \$485
- \$485
- \$485
- \$485
- \$485

HCPCS

- E2624
- E2624
- E2624
- E2624
- E2624

	FL12	FL13	FL14	FL15	FL16
			CLC1412		
			CLC1414		
			CLC1416	CLC1516	CLC1616
				CLC1518	CLC1618
				CLC1520	CLC1620

Matrx Seat Support Options - Vi

- Matrx Kidabra-Vi ((FL width)x12d Color Kidabra²
- Matrx Kidabra-Vi ((FL width)x14d Color Kidabra²
- Matrx-Vi ((FL width)x15d Color Black Meshtex²
- Matrx-Vi ((FL width)x16d Color Black Meshtex²
- Matrx-Vi ((FL width)x17d Color Black Meshtex²
- Matrx-Vi ((FLwidth)x18d Color Black Meshtex²
- Matrx-Vi ((FLwidth)x20d Color Black Meshtex²

²*Must be ordered with Seat Pan Only option*

Price

- \$425
- \$425
- \$425
- \$425
- \$425
- \$425
- \$425

HCPCS

- E2607
- E2607
- E2607
- E2607
- E2607
- E2607
- E2607

	FL12	FL13	FL14	FL15	FL16
	CKA1212-Vi		CKA1412-Vi		
	CKA1214-Vi		CKA1414-Vi		
			CMA1415-Vi		
			CMA1417-Vi	CMA1616-Vi	CMA1618-Vi
				CMA1618-Vi	CMA1620-Vi
				CMA1620-Vi	CMA1620-Vi

Matrx Seat Support Options - PS

- Matrx PS ((FLwidth)"w x 12"d) Color Kidabra²
- Matrx PS ((FLwidth)"w x 14"d) Color Kidabra²
- Matrx PS ((FLwidth)"w x 16"d) Color Kidabra²
- Matrx PS ((FLwidth)"w x 12"d) Color Pink²
- Matrx PS ((FLwidth)"w x 14"d) Color Pink²
- Matrx PS ((FLwidth)"w x 16"d) Color Pink²
- Matrx PS ((FLwidth)"w x 12"d) Color Blue²
- Matrx PS ((FLwidth)"w x 14"d) Color Blue²
- Matrx PS ((FLwidth)"w x 16"d) Color Blue²
- Matrx PS ((FLwidth)"w x 12"d) Black Startex Reversible Cover²
- Matrx PS ((FLwidth)"w x 14"d) Black Startex Reversible Cover²
- Matrx PS ((FLwidth)"w x 16)d) Black Startex Reversible Cover²
- Matrx PS ((FLwidth)"w x 18"d) Black Startex Reversible Cover²
- Matrx PS ((FLwidth)"w x 20"d) Black Startex Reversible Cover²

²*Must be ordered with Seat Pan Only option*

Price

- \$345
- \$345
- \$345
- \$345
- \$345
- \$345
- \$345
- \$345
- \$345
- \$345
- \$345
- \$345
- \$345
- \$345

HCPCS

- E2605
- E2605
- E2605
- E2605
- E2605
- E2605
- E2605
- E2605
- E2605
- E2605
- E2605
- E2605
- E2605
- E2605

	FL12	FL13	FL14	FL15	FL16
CPS1212-K	CPS1312-K	CPS1412-K			
CPS1214-K	CPS1314-K	CPS1414-K			
CPS1216-K	CPS1316-K	CPS1416-K			
CPS1212-P	CPS1312-P	CPS1412-P			
CPS1214-P	CPS1314-P	CPS1414-P			
CPS1216-P	CPS1316-P	CPS1416-P			
CPS1212-B	CPS1312-B	CPS1412-B			
CPS1214-B	CPS1314-B	CPS1414-B			
CPS1216-B	CPS1316-B	CPS1416-B			
CPS1212	CPS1312	CPS1412			
CPS1214	CPS1314	CPS1414			
CPS1216	CPS1316	CPS1416			
			CPS1616		CPS1616
			CPS1618		CPS1618
			CPS1620		CPS1620

Matrx Seat Support Options - PSP

- Matrx PSP ((FLwidth)"w x 12"d) Color Kidabra²
- Matrx PSP ((FLwidth)"w x 14"d) Color Kidabra²
- Matrx PSP ((FLwidth)"w x 16"d) Color Kidabra²
- Matrx PSP ((FLwidth)"w x 12"d) Color Pink²
- Matrx PSP ((FLwidth)"w x 14)d) Color Pink²
- Matrx PSP ((FLwidth)"w x 16)d) Color Pink²
- Matrx PSP ((FLwidth)"w x 12)d) Color Blue²
- Matrx PSP ((FLwidth)"w x 14)d) Color Blue²
- Matrx PSP ((FLwidth)"w x 16)d) Color Blue²
- Matrx PSP ((FLwidth)"w x 12)d) Black Startex Reversible Cover²
- Matrx PSP ((FLwidth)"w x 14)d) Black Startex Reversible Cover²
- Matrx PSP ((FLwidth)"w x 16)d) Black Startex Reversible Cover²
- Matrx PSP ((FLwidth)"w x 18)d) Black Startex Reversible Cover²
- Matrx PSP ((FLwidth)"w x 20)d) Black Startex Reversible Cover²

²*Must be ordered with Seat Pan Only option.*

Price

- \$395
- \$395
- \$395
- \$395
- \$395
- \$395
- \$395
- \$395
- \$395
- \$395
- \$395
- \$395
- \$395
- \$395

HCPCS

- E2607
- E2607
- E2607
- E2607
- E2607
- E2607
- E2607
- E2607
- E2607
- E2607
- E2607
- E2607
- E2607
- E2607

	FL12	FL13	FL14	FL15	FL16
CPSP1212-K	CPSP1312-K	CPSP1412-K			
CPSP1214-K	CPSP1314-K	CPSP1414-K			
CPSP1216-K	CPSP1316-K	CPSP1416-K			
CPSP1212-P	CPSP1312-P	CPSP1412-P			
CPSP1214-P	CPSP1314-P	CPSP1414-P			
CPSP1216-P	CPSP1316-P	CPSP1416-P			
CPSP1212-B	CPSP1312-B	CPSP1412-B			
CPSP1214-B	CPSP1314-B	CPSP1414-B			
CPSP1216-B	CPSP1316-B	CPSP1416-B			
CPSP1212	CPSP1312	CPSP1412			
CPSP1214	CPSP1314	CPSP1414			
CPSP1216	CPSP1316	CPSP1416			
			CPSP1616		CPSP1616
			CPSP1618		CPSP1618
			CPSP1620		CPSP1620

Head Supports

- Adjustable Wing Head Support****

Anatomic Headrest with Cover by R82 (Requires Headrest Universal Mount & Swing-away Mounting Bracket)

- Small
- Medium

R82 Adjustable Width Headrest, Dynamic - Long (Requires Headrest Universal Mount & Swing-away Mounting Bracket)

- Adjustable Width Headrest Large Laterals w/Speakers, Dynamic, Black Cover - Long \$501
- Adjustable Width Headrest, Large Laterals, Dynamic, Black Cover - Long \$402
- Adjustable Width Headrest Two Laterals, Dynamic, Black Cover - Long \$402
- Adjustable Width Headrest Four Laterals, Dynamic, Black Cover - Long \$402

R82 Adjustable Width Headrest, Dynamic - Short (Requires Headrest Universal Mount & Swing-away Mounting Bracket)

- Adjustable Width Headrest Large Laterals w/Speakers, Dynamic, Black Cover - Short \$501
- Adjustable Width Headrest, Large Laterals, Dynamic, Black Cover - Short \$402
- Adjustable Width Headrest Two Laterals, Dynamic, Black Cover - Short \$402
- Adjustable Width Headrest Four Laterals, Dynamic, Black Cover - Short \$402

R82 Adjustable Width Headrest, Non-Dynamic - Long (Requires Headrest Universal Mount & Swing-away Mounting Bracket)

- Adjustable Width Headrest Large Laterals w/Speakers, Non-Dynamic, Black Cover - Long \$422
- Adjustable Width Headrest, Large Laterals, Non-Dynamic, Black Cover - Long \$318
- Adjustable Width Headrest Two Laterals, Non-Dynamic, Black Cover - Long \$318
- Adjustable Width Headrest Four Laterals, Non-Dynamic, Black Cover - Long \$318

R82 Adjustable Width Headrest, Non-Dynamic - Short (Requires Headrest Universal Mount & Swing-away Mounting Bracket)

- Adjustable Width Headrest Large Laterals w/Speakers, Non-Dynamic, Black Cover - Short \$422
- Adjustable Width Headrest, Large Laterals, Non-Dynamic, Black Cover - Short \$318
- Adjustable Width Headrest Two Laterals, Non-Dynamic, Black Cover - Short \$318
- Adjustable Width Headrest Four Laterals, Non-Dynamic, Black Cover - Short \$318

Swing-Away Mounting Bracket - Height, Depth, Angle & Lateral Adjustable by R82 (Required for R82 head supports) (Select One):

- Turtle Neck Bar System, Short \$240
- Turtle Neck Bar System, Long \$240

- Headrest Universal Mount (Accommodates most manufacturer's head supports)**** \$57

******Requires the Height Adjustable Solid Back System.**

Price

- \$277
- \$266
- \$266
- \$501
- \$402
- \$402
- \$402
- \$501
- \$402
- \$402
- \$402
- \$422
- \$318
- \$318
- \$318
- \$422
- \$318
- \$318
- \$318
- \$240
- \$240
- \$57

HCPCS

- E0955
- E0955
- E0955
- E0955
- E0955
- E0955
- E0955
- E0955
- E0955
- E0955
- E0955
- E0955
- E0955
- E0955
- E0955
- E0955
- E0955
- E0955
- E0955
- E1028
- E1028
- K0108

	FL12	FL13	FL14	FL15	FL16
C904608	C904608	C904608	C904608	C904608	C904608
C904950	C904950	C904950	C904950	C904950	C904950
C904951	C904951	C904951	C904951	C904951	C904951
C905282	C905282	C905282	C905282	C905282	C905282
C905173	C905173	C905173	C905173	C905173	C905173
C905288	C905288	C905288	C905288	C905288	C905288
C905174	C905174	C905174	C905174	C905174	C905174
C905284	C905284	C905284	C905284	C905284	C905284
C905286	C905286	C905286	C905286	C905286	C905286
C905175	C905175	C905175	C905175	C905175	C905175
C905290	C905290	C905290	C905290	C905290	C905290
C905281	C905281	C905281	C905281	C905281	C905281
C905170	C905170	C905170	C905170	C905170	C905170
C905289	C905289	C905289	C905289	C905289	C905289
C905291	C905291	C905291	C905291	C905291	C905291
C905285	C905285	C905285	C905285	C905285	C905285
C905287	C905287	C905287	C905287	C905287	C905287
C905172	C905172	C905172	C905172	C905172	C905172

Matrix Headrest Options

- Matrix Standard 6" Pad Startex fabric cover^v
- Matrix Standard 10" Pad Startex fabric cover^v
- Matrix Standard 14" Pad Startex fabric cover^v
- Matrix 4Point Pad - S Startex fabric cover^v
- Matrix Elan hrdwr 15" vertical post^v
- Matrix Elan hrdwr 11" vertical post^v
- Matrix Loxx hardware 15" vertical post^v
- Matrix Loxx hardware 11" vertical post^v

^vRequires Matrix Back Support.

Trunk Positioning

Neoprene Vest by R82 (Camlock Kit and Back Pan Required)

- LT Shoulder to RT Hip: 7.75" - 10.75" (Size XS)
- LT Shoulder to RT Hip: 10.75" - 12.5" (Size S)
- LT Shoulder to RT Hip: 12.5" - 16" (Size M)
- LT Shoulder to RT Hip: 16" - 18.5" (Size L)
- LT Shoulder to RT Hip: 18.5" - 20.5" (Size XL)
- LT Shoulder to RT Hip: 20.5" - 23.5" (Size XXL)
- Camlock Kit for Vest

Chest Belt, Upholstered by R82 (Camlock Kit and Back Pan Required)

- W: 11.25" x D:7.5" x H: 9.25-12" (Size 1)
- W: 14" X D: 10.25" X H: 10.25-12.75" (Size 2)
- W: 16.25" X D: 12.5" X H: 10.25-12.75" (Size 3)
- W: 20.25" X D: 16" X H: 11.25-14.5" (Size 4)
- Camlock Kit for Vest

Cross Vest by R82 (Camlock Kit and Back Pan Required)

- LT Shoulder to RT Hip: 7.75" - 12.5" (Size XS)
- LT Shoulder to RT Hip: 10.25" - 13.5" (Size S)
- LT Shoulder to RT Hip: 13.5" - 17.75" (Size M)
- LT Shoulder to RT Hip: 17.75" - 20.75" (Size L)
- LT Shoulder to RT Hip: 20.75" - 24.5" (Size XL)
- Camlock Kit for Vest

Swing-Away Lateral Support Bracket by R82 (Hrdw Req)

- Swing-Away Lateral Support Bracket, Right (Ea.)
- Swing-Away Lateral Support Bracket, Left (Ea.)

Swing-Away Hardware

- Bar, Straight 4¾", (pr)
- Bar, Offset, 1" (pr)
- Bar, Offset 1¾" (pr)
- Bar, Offset 2½" (pr)

Swing-Away Lateral Support Curved Cushion

- Curved Cushion 3½" x 7½" (pr)
- Curved Cushion 2½" x 6¾" (pr)
- Curved Cushion 2½" x 6" (pr)

Swing-Away Lateral Support Standard Cushion

- Standard Cushion 4" x 4"(pr)
- Standard Cushion 2¾" x 6¼" (pr)

Protective Cushion for Laterals, Black (Pr.) (Laterals by R82 only)

1" Thick Padded Lateral Support Cover (X Small only) (Contoured Laterals only)

***Pad Size.**

^Depth of Laterals is reduced by 1.5" with back upholstery.

****Requires height adjustable solid back system.**

Matrix Trunk Positioning Options

- Matrix MiniFlex Abdominal Support - XS (4.5" high x 13.5" to 19" long)³
- Matrix MiniFlex Abdominal Support - S (6" high x 13.5" to 19" long)³
- Matrix PostureFlex - M (6.5" high x 16" to 23" long)³
- Matrix E2 Fixed Laterals (pr) - 6.5" high x 5" deep compatible with E2S back³
- Matrix Mini Fixed Laterals (ea) - 4.5" high x 3" deep compatible with Mini back³
- Matrix Mini Swingaway Lateral with X Small pad (ea)³
- Matrix Mini Swingaway Lateral with Small pad (ea)³
- Matrix E2 Swingaway Lateral with Med pad (ea)³
- Matrix E2 Swingaway Lateral with Large pad (ea)³
- Matrix Mini Chest Harness Interface Bracket³ (Bracket only, Harness not included)
- Matrix E2 Chest Harness Int. Fits 14" and 15" wide E2 backs³
- Matrix E2 Chest Harness Int. Fits 16" wide E2 backs³
- E2 Backbone PSIS/Lumbar Support³

³Must be ordered with Matrix Back Support option.

Pelvic Positioning

- 2-Point Pelvic Positioning Belt

4-Point Pelvic Positioning Belt by R82 (Camlock Kit and Seat Pan Required)

- Hip Width: 6.75" - 12.5" (Size XS)
- Hip Width: 8.25" - 13.75" (Size S)
- Hip Width: 9.75" - 16.25" (Size M)
- Hip Width: 12.5" - 17.25" (Size L)
- Hip Width: 16.25" - 20.5" (Size XL)
- Camlock Kit for 4-Point Belt

Left Width, Height Adj. Lateral Pelvic Support (Hip Guide)

- Small - H: 4.5" - 5.5"
- Large - H: 5.25" - 6.25"

Right Width, Height Adj. Lateral Pelvic Support (Hip Guide)

- Small - H: 4.5" - 5.5"
- Large - H: 5.25" - 6.25"

Medial Thigh Support

- Medium (2.6" front width, 4.1" depth, 2" back width, 2.7" height)
- Large (3.3" front width, 5" depth, 2.3" back width, 2.9" height)
- X-Large (4" front width, 6" depth, 3" back width, 3" height)

***Height is reduced by 2" when used with Cushion.**

Price	HCPCS	FL12	FL13	FL14	FL15	FL16
\$235	E0955	CESP6	CESP6	CESP6	CESP6	CESP6
\$235	E0955	CESP10	CESP10	CESP10	CESP10	CESP10
\$235	E0955	CESP14	CESP14	CESP14	CESP14	CESP14
\$325	E0955	CE4PTSM	CE4PTSM	CE4PTSM	CE4PTSM	CE4PTSM
\$225	E0128	CMEHW	CMEHW	CMEHW	CMEHW	CMEHW
\$225	E0128	CMEMH	CMEMH	CMEMH	CMEMH	CMEMH
\$215	E0128	CLXSHW	CLXSHW	CLXSHW	CLXSHW	CLXSHW
\$215	E0128	CLXMMH	CLXMMH	CLXMMH	CLXMMH	CLXMMH

Price	HCPCS	FL12	FL13	FL14	FL15	FL16
\$209	E0960	C905476	C905476	C905476	C905476	C905476
\$209	E0960	C905152	C905152	C905152	C905152	C905152
\$209	E0960	C905153	C905153	C905153	C905153	C905153
\$209	E0960	C905154	C905154	C905154	C905154	C905154
\$209	E0960	C905480	C905480	C905480	C905480	C905480
\$209	E0960	C905481	C905481	C905481	C905481	C905481
N/C		C905392	C905392	C905392	C905392	C905392
\$282	E0960	C905155	C905155	C905155	C905155	C905155
\$282	E0960	C905156	C905156	C905156	C905156	C905156
\$282	E0960	C905157	C905157	C905157	C905157	C905157
\$282	E0960	C905158	C905158	C905158	C905158	C905158
N/C		C905392	C905392	C905392	C905392	C905392
\$198	E0960	C905176	C905176	C905176	C905176	C905176
\$198	E0960	C905177	C905177	C905177	C905177	C905177
\$198	E0960	C905178	C905178	C905178	C905178	C905178
\$198	E0960	C905179	C905179	C905179	C905179	C905179
\$198	E0960	C905180	C905180	C905180	C905180	C905180
N/C		C905392	C905392	C905392	C905392	C905392
\$235	E01028	C905338	C905338	C905338	C905338	C905338
\$235	E01028	C905337	C905337	C905337	C905337	C905337
\$0		C905327	C905327	C905327	C905327	C905327
\$0		C905328	C905328	C905328	C905328	C905328
\$0		C905329	C905329	C905329	C905329	C905329
\$0		C905330	C905330	C905330	C905330	C905330
\$220	E0956	C905331	C905331	C905331	C905331	C905331
\$220	E0956	C905332	C905332	C905332	C905332	C905332
\$220	E0956	C905333	C905333	C905333	C905333	C905333
\$220	E0956	C905334	C905334	C905334	C905334	C905334
\$220	E0956	C905335	C905335	C905335	C905335	C905335
\$96		C905336	C905336	C905336	C905336	C905336
\$52	E0960	C905411	C905411	C905411	C905411	C905411

Price	HCPCS	FL12	FL13	FL14	FL15	FL16
\$185		CMINIFLEX-XS	CMINIFLEX-XS	CMINIFLEX-XS		
\$185		CMINIFLEX-S	CMINIFLEX-S	CMINIFLEX-S		
\$245				CPFLEX-M	CPFLEX-M	CPFLEX-M
\$290	E0956	CE2FL	CE2FL	CE2FL	CE2FL	CE2FL
\$85	E0956	CMINILAT	CMINILAT	CMINILAT	CMINILAT	CMINILAT
\$335	E0128/E0956	CSAHMINI-XS	CSAHMINI-XS	CSAHMINI-XS	CSAHMINI-XS	CSAHMINI-XS
\$335	E0128/E0956	CSAHMINI-S	CSAHMINI-S	CSAHMINI-S	CSAHMINI-S	CSAHMINI-S
\$335	E0128/E0956			CSAHEB-M	CSAHEB-M	CSAHEB-M
\$335	E0128/E0956			CSAHEB-L	CSAHEB-L	CSAHEB-L
\$75	E0128/E0956	CCHIMB	CCHIMB	CCHIMB		
\$75				CE2CHI-S	CE2CHI-S	
\$75						CE2CHI-M
\$55				CE2BKB	CE2BKB	CE2BKB

Price	HCPCS	FL12	FL13	FL14	FL15	FL16
\$47	E0978	C903931	C903931	C903931	C904559	C904559
\$140	K0108	C905148	C905148	C905148	C905148	C905148
\$140	K0108	C905149	C905149	C905149	C905149	C905149
\$140	K0108	C905150	C905150	C905150	C905150	C905150
\$140	K0108	C905151	C905151	C905151	C905151	C905151
\$140	K0108	C905475	C905475	C905475	C905475	C905475
N/C		C905393	C905393	C905393	C905393	C905393
\$125	E0956	C905320	C905320	C905320	C905320	C905320
\$125	E0956	C905322	C905322	C905322	C905322	C905322
\$125	E0956	C905321	C905321	C905321	C905321	C905321
\$125	E0956	C905323	C905323	C905323	C905323	C905323
\$169	E0957	C905389	C905389	C905389	C905389	C905389
\$169	E0957	C905390	C905390	C905390	C905390	C905390
\$169	E0957	C905391	C905391	C905391	C905391	C905391

		Price	HCPCS	FL12	FL13	FL14	FL15	FL16
Foot & Leg Positioning								
Front Riggings (Footplates attach to the Front Riggings)								
<input type="checkbox"/> 65° Removable Front Riggings - Short (5" - 11" Seat Pan to Footrest Height)		N/C	E0990	C905466	C905466	C905466	C905466	C905466
<input type="checkbox"/> 65° Removable Front Riggings - Long (5" - 13" Seat Pan to Footrest Height)		N/C	E0990	C905465	C905465	C905465	C905465	C905465
<input type="checkbox"/> 90° Removable Front Riggings - (5.7" - 11" Seat Pan to Footrest Height)		N/C	E0990	C905467	C905467	C905467	C905467	C905467
<input type="checkbox"/> Angle Adjustable Elevating Leg Rest (ELR) - Pair ***		\$260	K0195	C905077	C905077	C905078	C905078	C905136
<input type="checkbox"/> Legrest Extension +2" - Pair (ELR Required)		\$57		C904095	C904095	C904096	C904096	C904097
<input type="checkbox"/> Padded Elevating Legrest Cover (Pair)		\$15	K0108	C904619	C904619	C904619	C904619	C904619
Footplates								
<input type="checkbox"/> One-Piece Angle Adjustable Footplates (Flip Up and Reversible) (ELR Required)		\$115	K0040	C905160	C905161	C905162	C905163	C905164
<input type="checkbox"/> One-Piece Fixed Angle Footplates (Flip-up and Reversible Footplate) (ELR Required)		N/C		C905072	C905073	C905074	C905075	C905076
<input type="checkbox"/> Individual Angle Adjustable Footplates - Pair (Compatible with std fixed front riggings or ELR)		\$186	K0040	C905165	C905165	C905166	C905166	C905166
Therapin Shoe Holders w/Padded Straps (Pair)								
<input type="checkbox"/> Small		\$196	K0108	C904679	C904679	C904679	C904679	C904679
<input type="checkbox"/> Medium		\$196	K0108	C904680	C904680	C904680	C904680	C904680
<input type="checkbox"/> Fully Padded Footbox (one-piece footplate required)		\$339	K0108	C904954	C904954	C904955	C904955	C904956
<input type="checkbox"/> Calf Panel		\$64		C904580	C904580	C904580	C904580	C904580

*2" Legrest Extension interferes with caster swivel when seat is in upright position. Seat must be tilted back at least 5° OR Legrests must be elevated to allow caster swivel.

**Seat to footplate range varies from 5.25" - 18" depending on chair size.

***Recommended for full recline.

		Price	HCPCS	FL12	FL13	FL14	FL15	FL16
Accessories								
Headrest Cover Options (Canopy)								
<input type="checkbox"/> Headrest Cover (Canopy) ^g		\$238	K0108	C902679	C902679	C902659	C902659	C903152
<input type="checkbox"/> Extended Headrest Cover - No Windows (Canopy) ^g		\$260	K0108	C904729	C904729	C904730	C904730	C904731
<input type="checkbox"/> Extended Headrest Cover - with Windows (Canopy) ^g		\$307	K0108	C904745	C904745	C904746	C904746	C904747
<input type="checkbox"/> IV Pole (height adjustable and collapsible) ^h		\$157	K0105	C904566	C904566	C904566	C904566	C904566
<input type="checkbox"/> Upper Extremity Support Tray (Flip-Up Armrests) ^{**^}		\$116	E0950	C903405	C903405	C903401	C903401	C904525
<input type="checkbox"/> Adj. Removable Hardware (Required for Clear Tray) (Flip-Up Armrests)		\$237	E1028	C903369	C903369	C903369	C903369	C903369
<input type="checkbox"/> Upper Extremity Support Tray (Removable Armrests) Size 1		\$167	E0950	C905398	C905398	C905398		
<input type="checkbox"/> Upper Extremity Support Tray (Removable Armrests) Size 2		\$167	E0950		C905399	C905399	C905399	
<input type="checkbox"/> Upper Extremity Support Tray (Removable Armrests) Size 3		\$167	E0950			C905400	C905400	C905400
<input type="checkbox"/> Adj. Removable Hardware (Required for Clear Tray) (Removable Armrests)		\$193	E1028	C905401	C905401	C905401	C905401	C905401
<input type="checkbox"/> Upper Extremity Support Surface (Foam Tray)		\$158	E0950	C903669	C903669	C903670	C903670	C903670

**Cannot be used during transit.

^gArmrests required for sizes 12, 13, and 14. Armrest is standard on sizes 15 & 16.

^hRequired with medium or tall back canes.

^hIV Pole & Canopy Cannot be used simultaneously.

*Requires Rear Anti-Tip Tubes.

		Price	HCPCS	FL12	FL13	FL14	FL15	FL16
Frame Colors								
<input type="checkbox"/> Cherry Red		N/C		C905133	C905133	C905133	C905133	C905133
<input type="checkbox"/> Royal Blue		N/C		C905134	C905134	C905134	C905134	C905134
<input type="checkbox"/> Cosmic Silver		N/C		C905135	C905135	C905135	C905135	C905135
<input type="checkbox"/> Plum Purple		N/C		C905461	C905461	C905461	C905461	C905461

		Price	HCPCS	FL12	FL13	FL14	FL15	FL16
Tire Selection								
<input type="checkbox"/> 11.5" Rear Tire, 6" x 2" Front Caster (15" Front Seat to Floor Height)		N/C		C905303	C905304	C905305	C905306	C905307
Select One:								
<input type="checkbox"/> 11.5" Rear Fixed Wheels		N/C		C905384	C905384	C905384	C905384	C905384
<input type="checkbox"/> 11.5" Quick Release Rear Wheels		N/C		C905387	C905387	C905387	C905387	C905387
<input type="checkbox"/> 16" Rear Tire, 7.5" x 2" Front Caster (17" Front Seat to Floor Height)		N/C		C905059	C905060	C905061	C905062	C905063
Select One:								
<input type="checkbox"/> 16" Rear Fixed Wheels		N/C		C905385	C905385	C905385	C905385	C905385
<input type="checkbox"/> 16" Quick Release Rear Wheels		N/C		C905388	C905388	C905388	C905388	C905388

		Price	HCPCS	FL12	FL13	FL14	FL15	FL16
Transit Options								
<input type="checkbox"/> Q'Straint Transit Lap Belt		\$94	E0978	C903094	C903094	C903094	C903094	C903094
<input type="checkbox"/> Sure-Lok Transit Lap Belt		\$94	E0978	C903232	C903232	C903232	C903232	C903232
Foot Positioners (Pair) (Required for Transit)								
<input type="checkbox"/> Small 7" - 10"		\$0	K0108	C903415B	C903415B	C903415B	C903415B	C903415
<input type="checkbox"/> Medium 8" - 11"		\$0	K0108	C903416B	C903416B	C903416B	C903416B	C903416
<input type="checkbox"/> Large 9" - 12"		\$0	K0108	C903417B	C903417B	C903417B	C903417B	C903417

		Price	HCPCS	FL12	FL13	FL14	FL15	FL16
Medical Support Accessories								
<input type="checkbox"/> O2 Tank Holder*		\$182	E2208	C905070	C905070	C905070	C905070	C905070
<input type="checkbox"/> LTV Ventilator Holder		\$469	E1029	C905071	C905071	C905071	C905071	C905071
<input type="checkbox"/> Ventilator/Suction/Hard Tray (H:2.6", L: 13.1", W: Seat Width+1.4")		\$469	E1029	C905079	C905079	C905079	C905079	C905079
<input type="checkbox"/> Medical Necessity Storage Basket		\$307		C905274	C905274	C905275	C905275	C905275
<input type="checkbox"/> Caster Locks (Manufacturer Installation Required) (ELR recommended to avoid caster & front rigging interference)		\$98	K0073	C904650	C904650	C904650	C904650	C904650
<input type="checkbox"/> Curb Tipper		\$102		C905365	C905365	C905365	C905365	C905365
<input type="checkbox"/> Rear Anti-Tip Tubes		\$120	E0971	C905069	C905069	C905069	C905069	C905069
<input type="checkbox"/> Under Seat Storage Basket		\$125		C905195	C905195	C905196	C905196	C905196

*Cannot be used during transit.

***The Flyer Transit option includes four manufacturer installed black wheelchair transportation anchors. The Flyer Transit model has been crash tested and conforms to RESNA WC19 standards.

The Convaid Flyer Mobility Base was tested with the Flyer Seating Module equipped with a head support and wheelchair anchored pelvic lap belt. The performance and safety of accessories and/or other seating options not tested by Convaid is unknown, and no warranty or claim about their performance is or can be made.

Transit and Non Transit weight capacity: Back Cane Position 1: 85 lbs/39 kg and Back Cane Position 2-4: 170 lbs/77 kg.

Furthermore, when being transported in a vehicle it is Convaid's position that the wheelchair user transfer from the wheelchair into appropriate vehicle seating during transportation. Please note that at this time, the Department of Transportation has not officially approved any tie-down system for a user while in a wheelchair, therefore Convaid cannot recommend a transit system.

For more information on RESNA WC-19 and WC-20 standards please visit <http://www.ercwts.pitt.edu/WC19.html>.

HCPCS codes are provided for your convenience and are NOT to be considered billing or legal advice. Providers are responsible for insuring that appropriate billing codes are used when submitting claims. Proper use of HCPCS codes does not insure coverage or payment. Contact the appropriate payer for coverage information.

Standard Domestic Shipping Rate: \$40 • For expedited shipping rates, please call 1-844-876-6245 or email convaidsales.us@etac.com

Prices in USD & subject to change, ex works Torrance, California.

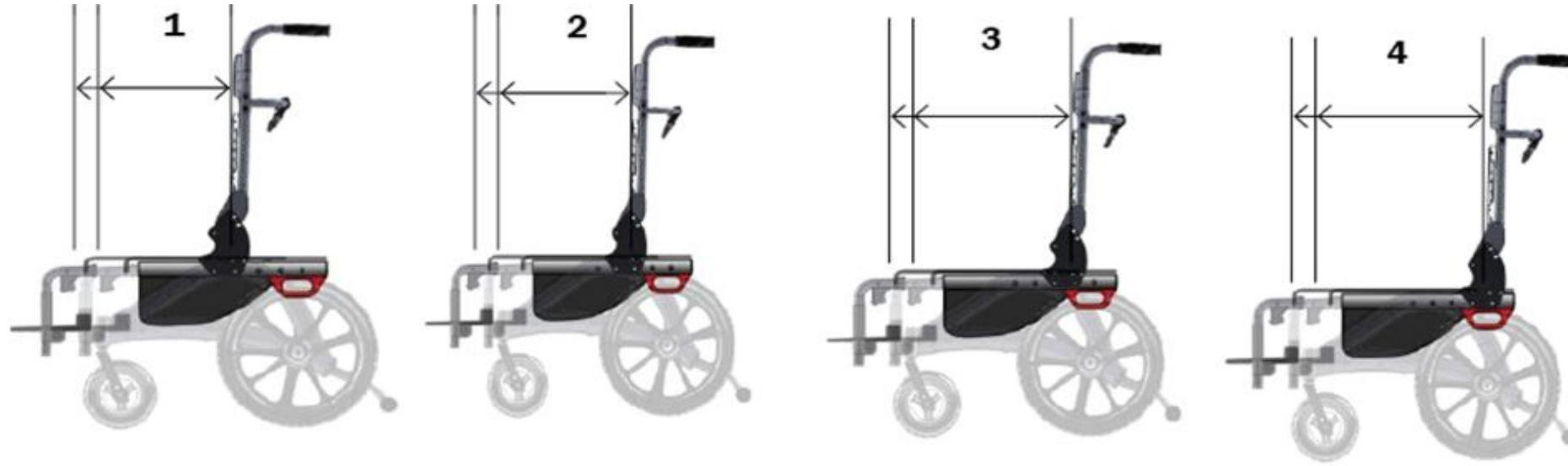
Effective: 7/18/2022

Convaid
2830 California Street
Torrance, CA 90503
1 844-US-MOBILITY (844-876-6245)
www.etac.us.com



OF2408-ENG-Rev.13

Seat Depth Adjustable Positions:



Position Option	1	2	3	4
Seating System Seat Depth Adjustment Range				
Back Canes	11" – 15"	13" – 17"	15" – 19"	17" – 21"
Solid Back*	9.5" – 13.5"	11.5" – 15.5"	13.5" – 17.5"	15.5" – 19.5"
*Seat Depth is reduced by 1 1/2" when used with solid back seating system				

Footplate Dimensions:

Seat to Footplate Dimensions	Mounting	12" Flyer	13" Flyer	14" Flyer	15" Flyer	16" Flyer
One-Piece Angle Adjustable Footplates	Flip-Up	9in-14in	9in-14in	11in-16in	11in-16in	13in-18in
	Reversible	5.25in-11.25in	5.25in-11.25in	7.25in-13.25in	7.25in-13.25in	9.25in-15.25in
One-Piece Fixed Angle Footplates	Flip-Up	9in-14in	9in-14in	11in-16in	11in-16in	13in-18in
	Reversible	5.25in-11.25in	5.25in-11.25in	7.25in-13.25in	7.25in-13.25in	9.25in-15.25in
Individual Angle Adjustable Footplates - Pair	Flip-Up	7in-13in	7in-13in	9.5in-15.5in	9.5in-15.5in	12in-18in
	Reversible	4.5in-9.25in	4.25in-11in	4.25in-11in	4.25-11in	7.25in-13.25in

Height Adjustable Removable Armrest Length:

Recommended Height Adjustable Removable Armrest Length per Seat Depth Position				
	Seat Depth Position 1	Seat Depth Position 2	Seat Depth Position 3	Seat Depth Position 4
Height Adjustable Removable Armrest - Short 9.00" Length	●	●		
Height Adjustable Removable Armrest - Short 9.00" Length			●	●