

Convoid Flyer - HCPCS E1233/E1161

Retail Price List / Order Form

Account #: _____

Purchase Order #: _____

Date: _____

Contact: _____ ATP/RTS: _____

Mark For: _____

Bill To:	Ship To:
Address:	Address:
City/State/Zip:	
Phone:	City/State/Zip:
Email:	Phone:

Flyer Base Standard Features:

- CG Tilt-in-Space (-5° to +40°)
- 30° back angle adjustment (80° to 110°)
- Quick Release Rear Wheels
- Single Foot Activated Wheel Lock
- HCPCS code E1161 is only valid on chairs 15" or greater
- Removable Front Riggings with Fixed Angled Footplate (Choose Option Below)
- Flip-up armrests - Long (Standard on FL15 and FL16)
- Choice of 3 Mobility Base colors
- One Piece Push Handle
- Choice of three back cane heights
- Made in the USA

Standard Models:

- Flyer Base Assembly - C905088
- Flyer Seat Module - C905092

Price
\$751
\$2,168

Flyer Seating Module

- Flyer Seat Width 12"
- Flyer Seat Width 13"
- Flyer Seat Width 14"
- Flyer Seat Width 15"
- Flyer Seat Width 16"

Transit Option Complete: (Manufacturer Installation Required)

- Base Bracket±^
- Seat Frame Bracket±^

Back Cane Fixed Heights* (7/8" diameter)- with Push Handles (Select One):

- Short: 19" - (Supports back height range: 13" - 19")*** (Cannot be used with IV Pole)
- Medium: 22" - (Supports back height range 13" - 22")***
- Tall: 25" - (Supports back height range 13" - 25")***

- Height Adjustable Back Pans (4 Pieces)

- Back Cushions & Cover (Includes Height Adjustable Back Pans) (13" - 25")****

Seat Depth Range Options (see chart on last page of order form)

- Position 1: 11"-15"
- Position 2: 13"-17"
- Position 3: 15"-19"
- Position 4: 17"- 21"

±See bottom of order form regarding the specific configuration in which the chair was tested for WC-19.

^Pelvic positioning belt required.

*Seat Depth is reduced by 1 1/2" when used with Solid Back System with Cushions and requires tools.

***Measured from pan to push handle bend.

****Height Adjustable Solid Back System w/Back Cushion HCPCS code only applies to pediatric sizes 12, 13, and 14.

Flyer Seating Module

Recline System (80 to 170 degrees) (Manufacturer installation required)

- Recline on Flyer 12, 13, 14
- Recline on Flyer 15 and 16±

Flip-up, Height Adjustable, Armrest - Pair (Select option for sizes 12, 13, or 14)*

- Height adjustable Flip-Up Armrests (pair) - Short 8.34" Length
- Height adjustable Flip-Up Armrests (pair) - Short 8.34" Length
- Height adjustable Flip-Up Armrests (pair) - Long 11.34" Length
- Height adjustable Flip-Up Armrests (pair) - Long 11.34" Length

Removable Adjustable, Armrest - Pair

- Height Adjustable Removable Armrests (pair) - Short 9.00" Length
- Height Adjustable Removable Armrests (pair) - Long 11.00" Length

One-Piece Height Adjustable Push Handle Option (+- 9" height adjustable from back canes height) (Select One):

- Outside Mount
- Inside Mount

- Two Piece Push Handle^

± For FL15 and FL16, use HCPCS code E1225.

*Flip-up armrest is standard on sizes 15 and 16.

^30 Day Standard Delivery.

Flyer Upholstery Color Options

Cushion Accent Color (cushion is black, color is for piping along sides) Select One:

- Royal Blue
- Forest Green
- Cherry Red
- Sassy Purple
- Princess Pink
- Panther Black
- Chocolate Brown
- Aqua Blue
- Apple Green

Matrix Back Support Options

- Matrix E2 (FLwidth x 10"h) Color Black Meshtex¹
- Matrix E2 (FLwidth x 12h) Color Black Meshtex¹
- Matrix E2 (FLwidth x 14"h) Color Black Meshtex¹
- Matrix E2 (FLwidth x 16"h) Color Black Meshtex¹
- Matrix E2 (FLwidth x 18"h) Color Black Meshtex¹
- Matrix E2 (FLwidth x 20"h) Color Black Meshtex¹

¹Must be ordered with Back Canes Only option.

Matrix Back Support Options - Deep

- Matrix E2 Deep (FLwidth x 10"h) Color Black Meshtex¹
- Matrix E2 Deep (FLwidth x 12"h) Color Black Meshtex¹
- Matrix E2 Deep (FLwidth x 14"h) Color Black Meshtex¹
- Matrix E2 Deep (FLwidth x 16"h) Color Black Meshtex¹
- Matrix E2 Deep (FLwidth x 18"h) Color Black Meshtex¹
- Matrix E2 Deep (FLwidth x 20"h) Color Black Meshtex¹

¹Must be ordered with Back Canes Only option.

Price	HCPCS	FL12	FL13	FL14	FL15	FL16
N/C		C905517				
N/C			C905518			
N/C				C905519		
N/C					C905520	
N/C						C905521
\$104	K0108	C905082	C905082	C905082	C905082	C905082
\$105	K0108	C905515	C905515	C905515	C905515	C905515
N/C		C905054	C905054	C905054	C905054	C905054
N/C		C905055	C905055	C905055	C905055	C905055
N/C		C905056	C905056	C905056	C905056	C905056
\$157		C905058	C905058	C905058	C905058	C905058
\$547	E2291	C905093	C905094	C905095	C905096	C905097
N/C		C905197	C905197	C905197	C905197	C905197
N/C		C905198	C905198	C905198	C905198	C905198
N/C		C905199	C905199	C905199	C905199	C905199
N/C		C905200	C905200	C905200	C905200	C905200

Price	HCPCS	FL12	FL13	FL14	FL15	FL16
\$501	E1014	C905037	C905037	C905037		
\$501	E1226				C905038	C905038
\$238	E0973	C905167	C905167	C905167		
\$0	E1225				C905167	C905167
\$238	E0973	C905168	C905168	C905168		
\$0	E1225				C905168	C905168
\$302	E0973	C905396	C905396	C905396	C905396	C905396
\$302	E0973	C905397	C905397	C905397	C905397	C905397
N/C		C905108	C905109	C905110	C905111	C905112
N/C		C905098	C905099	C905100	C905101	C905102
N/C		C905311	C905311	C905311	C905311	C905311

Price	HCPCS	FL12	FL13	FL14	FL15	FL16
N/C		C903850	C903850	C903850	C903850	C903850
N/C		C903857	C903857	C903857	C903857	C903857
N/C		C903855	C903855	C903855	C903855	C903855
N/C		C903851	C903851	C903851	C903851	C903851
N/C		C903759	C903759	C903759	C903759	C903759
N/C		C903854	C903854	C903854	C903854	C903854
N/C		C904189	C904189	C904189	C904189	C904189
N/C		C904753	C904753	C904753	C904753	C904753
N/C		C904754	C904754	C904754	C904754	C904754

Price	HCPCS	FL12	FL13	FL14	FL15	FL16
\$625	E2615			CE2S1410	CE2S1510	CE2S1610
\$625	E2615			CE2S1412	CE2S1512	CE2S1612
\$625	E2615			CE2S1414	CE2S1514	CE2S1614
\$625	E2615			CE2S1416	CE2S1516	CE2S1616
\$645	E2615			CE2S1418	CE2S1518	CE2S1618
\$645	E2615			CE2S1420	CE2S1520	CE2S1620

Price	HCPCS	FL12	FL13	FL14	FL15	FL16
\$755	E2620			CE2D1410	CE2D1510	CE2D1610
\$755	E2620			CE2D1412	CE2D1512	CE2D1612
\$755	E2620			CE2D1414	CE2D1514	CE2D1614
\$755	E2620			CE2D1416	CE2D1516	CE2D1616
\$775	E2620			CE2D1418	CE2D1518	CE2D1618
\$775	E2620			CE2D1420	CE2D1520	CE2D1620

Matrx Back Support Options - Mini

	Price
<input type="checkbox"/> Matrx Mini ((FLwidth-1)"w x 7"h) Color Kidabra ¹	\$625
<input type="checkbox"/> Matrx Mini ((FLwidth-1)"w x 10"h) Color Kidabra ¹	\$625
<input type="checkbox"/> Matrx Mini ((FLwidth-1)"w x 12"h) Color Kidabra ¹	\$625
<input type="checkbox"/> Matrx Mini ((FLwidth-1)"w x 14"h) Color Kidabra ¹	\$625
<input type="checkbox"/> Matrx Mini ((FLwidth-1)"w x 7"h) Color Pink ¹	\$625
<input type="checkbox"/> Matrx Mini ((FLwidth-1)"w x 10h) Color Pink ¹	\$625
<input type="checkbox"/> Matrx Mini ((FLwidth-1)"w x 12"h) Color Pink ¹	\$625
<input type="checkbox"/> Matrx Mini ((FLwidth-1)"w x 14"h) Color Pink ¹	\$625
<input type="checkbox"/> Matrx Mini ((FLwidth-1)"w x 7"h) Color Blue ¹	\$625
<input type="checkbox"/> Matrx Mini ((FLwidth-1)"w x 10"h) Color Blue ¹	\$625
<input type="checkbox"/> Matrx Mini ((FLwidth-1)"w x 12"h) Color Blue ¹	\$625
<input type="checkbox"/> Matrx Mini ((FLwidth-1)"w x 14"h) Color Blue ¹	\$625
<input type="checkbox"/> Matrx Mini ((FLwidth-1)"w x 7"h) Color Black Startex ¹	\$625
<input type="checkbox"/> Matrx Mini ((FLwidth-1)"w x 10"h) Color Black Startex ¹	\$625
<input type="checkbox"/> Matrx Mini ((FLwidth-1)"w x 12"h) Color Black Startex ¹	\$625
<input type="checkbox"/> Matrx Mini ((FLwidth-1)"w x 14"h) Color Black Startex ¹	\$625

¹Must be ordered with Back Canes Only option.

Seat Options

	Price
<input type="checkbox"/> Planar Seat Cushion (Includes Solid Seat Pan)** (Same Color as Selected Back Cushion)	\$339
<input type="checkbox"/> Seat Pan: 12"-16" Width, 4" Depth Growth ^	\$157

**Planar Seat Cushion HCPCS code only applies to pediatric sizes 12, 13, and 14.

^^Needed when using other manufacturer's seat cushion.

Matrx Seat Support Options - Libra

	Price
<input type="checkbox"/> Matrx Libra ((FLwidth)"w x 12"d) Color Black Startex ²	\$485
<input type="checkbox"/> Matrx Libra ((FLwidth)"w x 14"d) Color Black Startex ²	\$485
<input type="checkbox"/> Matrx Libra ((FLwidth)"w x 16"d) Color Black Startex ²	\$485
<input type="checkbox"/> Matrx Libra ((FLwidth)"w x 18"d) Color Black Startex ²	\$485
<input type="checkbox"/> Matrx Libra ((FLwidth)"w x 20"d) Color Black Startex ²	\$485

²Must be ordered with Seat Pan Only option

Matrx Seat Support Options - Vi

	Price
<input type="checkbox"/> Matrx Kidabra-Vi ((FL width)x12d Color Kidabra ²	\$425
<input type="checkbox"/> Matrx Kidabra-Vi ((FL width)x14d Color Kidabra ²	\$425
<input type="checkbox"/> Matrx-Vi ((FL width)x15d Color Black Meshtex ²	\$425
<input type="checkbox"/> Matrx-Vi ((FL width)x16d Color Black Meshtex ²	\$425
<input type="checkbox"/> Matrx-Vi ((FL width)x17d Color Black Meshtex ²	\$425
<input type="checkbox"/> Matrx-Vi ((FLwidth)x18d Color Black Meshtex ²	\$425
<input type="checkbox"/> Matrx-Vi ((FLwidth)x20d Color Black Meshtex ²	\$425

²Must be ordered with Seat Pan Only option

Matrx Seat Support Options - PS

	Price
<input type="checkbox"/> Matrx PS ((FLwidth)"w x 12"d) Color Kidabra ²	\$345
<input type="checkbox"/> Matrx PS ((FLwidth)"w x 14"d) Color Kidabra ²	\$345
<input type="checkbox"/> Matrx PS ((FLwidth)"w x 16"d) Color Kidabra ²	\$345
<input type="checkbox"/> Matrx PS ((FLwidth)"w x 12"d) Color Pink ²	\$345
<input type="checkbox"/> Matrx PS ((FLwidth)"w x 14"d) Color Pink ²	\$345
<input type="checkbox"/> Matrx PS ((FLwidth)"w x 16"d) Color Pink ²	\$345
<input type="checkbox"/> Matrx PS ((FLwidth)"w x 12"d) Color Blue ²	\$345
<input type="checkbox"/> Matrx PS ((FLwidth)"w x 14"d) Color Blue ²	\$345
<input type="checkbox"/> Matrx PS ((FLwidth)"w x 16"d) Color Blue ²	\$345
<input type="checkbox"/> Matrx PS ((FLwidth)"w x 12"d) Black Startex Reversible Cover ²	\$345
<input type="checkbox"/> Matrx PS ((FLwidth)"w x 14"d) Black Startex Reversible Cover ²	\$345
<input type="checkbox"/> Matrx PS ((FLwidth)"w x 16"d) Black Startex Reversible Cover ²	\$345
<input type="checkbox"/> Matrx PS ((FLwidth)"w x 18"d) Black Startex Reversible Cover ²	\$345
<input type="checkbox"/> Matrx PS ((FLwidth)"w x 20"d) Black Startex Reversible Cover ²	\$345

²Must be ordered with Seat Pan Only option

Matrx Seat Support Options - PSP

	Price
<input type="checkbox"/> Matrx PSP ((FLwidth)"w x 12"d) Color Kidabra ²	\$395
<input type="checkbox"/> Matrx PSP ((FLwidth)"w x 14"d) Color Kidabra ²	\$395
<input type="checkbox"/> Matrx PSP ((FLwidth)"w x 16"d) Color Kidabra ²	\$395
<input type="checkbox"/> Matrx PSP ((FLwidth)"w x 12"d) Color Pink ²	\$395
<input type="checkbox"/> Matrx PSP ((FLwidth)"w x 14"d) Color Pink ²	\$395
<input type="checkbox"/> Matrx PSP ((FLwidth)"w x 16"d) Color Pink ²	\$395
<input type="checkbox"/> Matrx PSP ((FLwidth)"w x 12"d) Color Blue ²	\$395
<input type="checkbox"/> Matrx PSP ((FLwidth)"w x 14"d) Color Blue ²	\$395
<input type="checkbox"/> Matrx PSP ((FLwidth)"w x 16"d) Color Blue ²	\$395
<input type="checkbox"/> Matrx PSP ((FLwidth)"w x 12"d) Black Startex Reversible Cover ²	\$395
<input type="checkbox"/> Matrx PSP ((FLwidth)"w x 14"d) Black Startex Reversible Cover ²	\$395
<input type="checkbox"/> Matrx PSP ((FLwidth)"w x 16"d) Black Startex Reversible Cover ²	\$395
<input type="checkbox"/> Matrx PSP ((FLwidth)"w x 18"d) Black Startex Reversible Cover ²	\$395
<input type="checkbox"/> Matrx PSP ((FLwidth)"w x 20"d) Black Startex Reversible Cover ²	\$395

²Must be ordered with Seat Pan Only option.

Head Supports

	Price
<input type="checkbox"/> Adjustable Wing Head Support****	\$277
Anatomic Headrest with Cover by R82 (Requires Headrest Universal Mount & Swing-away Mounting Bracket)	
<input type="checkbox"/> Small	\$266
<input type="checkbox"/> Medium	\$266
R82 Adjustable Width Headrest, Dynamic - Long (Requires Headrest Universal Mount & Swing-away Mounting Bracket)	
<input type="checkbox"/> Adjustable Width Headrest Large Laterals w/Speakers, Dynamic, Black Cover - Long	\$501
<input type="checkbox"/> Adjustable Width Headrest, Large Laterals, Dynamic, Black Cover - Long	\$402
<input type="checkbox"/> Adjustable Width Headrest Two Laterals, Dynamic, Black Cover - Long	\$402
<input type="checkbox"/> Adjustable Width Headrest Four Laterals, Dynamic, Black Cover - Long	\$402
R82 Adjustable Width Headrest, Dynamic - Short (Requires Headrest Universal Mount & Swing-away Mounting Bracket)	
<input type="checkbox"/> Adjustable Width Headrest Large Laterals w/Speakers, Dynamic, Black Cover - Short	\$501
<input type="checkbox"/> Adjustable Width Headrest, Large Laterals, Dynamic, Black Cover - Short	\$402
<input type="checkbox"/> Adjustable Width Headrest Two Laterals, Dynamic, Black Cover - Short	\$402
<input type="checkbox"/> Adjustable Width Headrest Four Laterals, Dynamic, Black Cover - Short	\$402
R82 Adjustable Width Headrest, Non-Dynamic - Long (Requires Headrest Universal Mount & Swing-away Mounting Bracket)	
<input type="checkbox"/> Adjustable Width Headrest Large Laterals w/Speakers, Non-Dynamic, Black Cover - Long	\$422
<input type="checkbox"/> Adjustable Width Headrest, Large Laterals, Non-Dynamic, Black Cover - Long	\$318
<input type="checkbox"/> Adjustable Width Headrest Two Laterals, Non-Dynamic, Black Cover - Long	\$318
<input type="checkbox"/> Adjustable Width Headrest Four Laterals, Non-Dynamic, Black Cover - Long	\$318
R82 Adjustable Width Headrest, Non-Dynamic - Short (Requires Headrest Universal Mount & Swing-away Mounting Bracket)	
<input type="checkbox"/> Adjustable Width Headrest Large Laterals w/Speakers, Non-Dynamic, Black Cover - Short	\$422
<input type="checkbox"/> Adjustable Width Headrest, Large Laterals, Non-Dynamic, Black Cover - Short	\$318
<input type="checkbox"/> Adjustable Width Headrest Two Laterals, Non-Dynamic, Black Cover - Short	\$318
<input type="checkbox"/> Adjustable Width Headrest Four Laterals, Non-Dynamic, Black Cover - Short	\$318
Swing-Away Mounting Bracket - Height, Depth, Angle & Lateral Adjustable by R82 (Required for R82 head supports) (Select One):	
<input type="checkbox"/> Turtle Neck Bar System, Short	\$240
<input type="checkbox"/> Turtle Neck Bar System, Long	\$240
<input type="checkbox"/> Headrest Universal Mount (Accommodates most manufacturer's head supports)****	\$57

****Requires the Height Adjustable Solid Back System.

HCPCS

E2615	CMINI1107-K	CMINI1207-K	CMINI1307-K
E2615	CMINI1110-K	CMINI1210-K	CMINI1310-K
E2615	CMINI1112-K	CMINI1212-K	CMINI1312-K
E2615	CMINI1114-K	CMINI1214-K	CMINI1314-K
E2615	CMINI1107-P	CMINI1207-P	CMINI1307-P
E2615	CMINI1110-P	CMINI1210-P	CMINI1310-P
E2615	CMINI1112-P	CMINI1212-P	CMINI1312-P
E2615	CMINI1114-P	CMINI1214-P	CMINI1314-P
E2615	CMINI1107-B	CMINI1207-B	CMINI1307-B
E2615	CMINI1110-B	CMINI1210-B	CMINI1310-B
E2615	CMINI1112-B	CMINI1212-B	CMINI1312-B
E2615	CMINI1114-B	CMINI1214-B	CMINI1314-B
E2615	CMINI1107-S	CMINI1207-S	CMINI1307-S
E2615	CMINI1110-S	CMINI1210-S	CMINI1310-S
E2615	CMINI1112-S	CMINI1212-S	CMINI1312-S
E2615	CMINI1114-S	CMINI1214-S	CMINI1314-S

HCPCS

	FL12	FL13	FL14	FL15	FL16
E2292	C905083	C905084	C905085	C905086	C905087
E2231	C905057	C905057	C905057	C905057	C905057

HCPCS

	FL12	FL13	FL14	FL15	FL16
E2624			CLC1412		
E2624			CLC1414		
E2624			CLC1416	CLC1516	CLC1616
E2624				CLC1518	CLC1618
E2624				CLC1520	CLC1620

HCPCS

	FL12	FL13	FL14	FL15	FL16
E2607	CKA1212-Vi		CKA1412-Vi		
E2607	CKA1214-Vi		CKA1414-Vi		
E2607			CMA1415-Vi		
E2607				CMA1616-Vi	CMA1616-Vi
E2607			CMA1417-Vi		
E2607				CMA1618-Vi	CMA1618-Vi
E2607				CMA1620-Vi	CMA1620-Vi

HCPCS

	FL12	FL13	FL14	FL15	FL16
E2605	CPS1212-K	CPS1312-K	CPS1412-K		
E2605	CPS1214-K	CPS1314-K	CPS1414-K		
E2605	CPS1216-K	CPS1316-K	CPS1416-K		
E2605	CPS1212-P	CPS1312-P	CPS1412-P		
E2605	CPS1214-P	CPS1314-P	CPS1414-P		
E2605	CPS1216-P	CPS1316-P	CPS1416-P		
E2605	CPS1212-B	CPS1312-B	CPS1412-B		
E2605	CPS1214-B	CPS1314-B	CPS1414-B		
E2605	CPS1216-B	CPS1316-B	CPS1416-B		
E2605	CPS1212	CPS1312	CPS1412		
E2605	CPS1214	CPS1314	CPS1414		
E2605	CPS1216	CPS1316	CPS1416	CPS1616	CPS1616
E2605				CPS1618	CPS1618
E2605				CPS1620	CPS1620

HCPCS

	FL12	FL13	FL14	FL15	FL16
E2607	CPSP1212-K	CPSP1312-K	CPSP1412-K		
E2607	CPSP1214-K	CPSP1314-K	CPSP1414-K		
E2607	CPSP1216-K	CPSP1316-K	CPSP1416-K		
E2607	CPSP1212-P	CPSP1312-P	CPSP1412-P		
E2607	CPSP1214-P	CPSP1314-P	CPSP1414-P		
E2607	CPSP1216-P	CPSP1316-P	CPSP1416-P		
E2607	CPSP1212-B	CPSP1312-B	CPSP1412-B		
E2607	CPSP1214-B	CPSP1314-B	CPSP1414-B		
E2607	CPSP1216-B	CPSP1316-B	CPSP1416-B		
E2607	CPSP1212	CPSP1312	CPSP1412		
E2607	CPSP1214	CPSP1314	CPSP1414		
E2607	CPSP1216	CPSP1316	CPSP1416	CPSP1616	CPSP1616
E2607				CPSP1618	CPSP1618
E2607				CPSP1620	CPSP1620

HCPCS

	FL12	FL13	FL14	FL15	FL16
E0955	C904608	C904608	C904608	C904608	C904608
E0955	C904950	C904950	C904950	C904950	C904950
E0955	C904951	C904951	C904951	C904951	C904951
E0955	C905282	C905282	C905282	C905282	C905282
E0955	C905173	C905173	C905173	C905173	C905173
E0955	C905288	C905288	C905288	C905288	C905288
E0955	C905174	C905174	C905174	C905174	C905174
E0955	C905284	C905284	C905284	C905284	C905284
E0955	C905286	C905286	C905286	C905286	C905286
E0955	C905175	C905175	C905175	C905175	C905175
E0955	C905290	C905290	C905290	C905290	C905290
E0955	C905281	C905281	C905281	C905281	C905281
E0955	C905170	C905170	C905170	C905170	C905170
E0955	C905289	C905289	C905289	C905289	C905289
E0955	C905291	C905291	C905291	C905291	C905291
E0955	C905285	C905285	C905285	C905285	C905285
E0955	C905287	C905287	C905287	C905287	C905287
E0955	C905172	C905172	C905172	C905172	C905172
E0955	C905171	C905171	C905171	C905171	C905171
E1028	C904948	C904948	C904948	C904948	C904948
E1028	C904947	C904947	C904947	C904947	C904947
K0108	C904946	C904946	C904946	C904946	C904946

Matrix Headrest Options

- Matrix Standard 6" Pad Startex fabric cover^v
- Matrix Standard 10" Pad Startex fabric cover^v
- Matrix Standard 14" Pad Startex fabric cover^v
- Matrix 4Point Pad - S Startex fabric cover^v
- Matrix Elan hrdwr 15" vertical post^v
- Matrix Elan hrdwr 11" vertical post^v
- Matrix Loxx hardware 15" vertical post^v
- Matrix Loxx hardware 11" vertical post^v

^vRequires Matrix Back Support.

Trunk Positioning

Neoprene Vest by R82 (Camlock Kit and Back Pan Required)

- LT Shoulder to RT Hip: 7.75" - 10.75" (Size XS)
- LT Shoulder to RT Hip: 10.75" - 12.5" (Size S)
- LT Shoulder to RT Hip: 12.5" - 16" (Size M)
- LT Shoulder to RT Hip: 16" - 18.5" (Size L)
- LT Shoulder to RT Hip: 18.5" - 20.5" (Size XL)
- LT Shoulder to RT Hip: 20.5" - 23.5" (Size XXL)
- Camlock Kit for Vest

Chest Belt, Upholstered by R82 (Camlock Kit and Back Pan Required)

- W: 11.25" x D:7.5" x H: 9.25-12" (Size 1)
- W: 14" X D: 10.25" X H: 10.25-12.75" (Size 2)
- W: 16.25" X D: 12.5" X H: 10.25-12.75" (Size 3)
- W: 20.25" X D: 16" X H: 11.25-14.5" (Size 4)
- Camlock Kit for Vest

Cross Vest by R82 (Camlock Kit and Back Pan Required)

- LT Shoulder to RT Hip: 7.75" - 12.5" (Size XS)
- LT Shoulder to RT Hip: 10.25" - 13.5" (Size S)
- LT Shoulder to RT Hip: 13.5" - 17.75" (Size M)
- LT Shoulder to RT Hip: 17.75" - 20.75" (Size L)
- LT Shoulder to RT Hip: 20.75" - 24.5" (Size XL)
- Camlock Kit for Vest

Swing-Away Lateral Support Bracket by R82 (Hrdw Req)

- Swing-Away Lateral Support Bracket, Right (Ea.)
- Swing-Away Lateral Support Bracket, Left (Ea.)

Swing-Away Hardware

- Bar, Straight 4¾", (pr)
- Bar, Offset, 1" (pr)
- Bar, Offset 1¾" (pr)
- Bar, Offset 2½" (pr)

Swing-Away Lateral Support Curved Cushion

- Curved Cushion 3½" x 7½" (pr)
- Curved Cushion 2½" x 6¾" (pr)
- Curved Cushion 2½" x 6" (pr)

Swing-Away Lateral Support Standard Cushion

- Standard Cushion 4" x 4"(pr)
- Standard Cushion 2¾" x 6¼" (pr)

Protective Cushion for Laterals, Black (Pr.) (Laterals by R82 only)

1" Thick Padded Lateral Support Cover (X Small only) (Contoured Laterals only)

***Pad Size.**

^Depth of Laterals is reduced by 1.5" with back upholstery.

****Requires height adjustable solid back system.**

Matrix Trunk Positioning Options

- Matrix MiniFlex Abdominal Support - XS (4.5" high x 13.5" to 19" long)³
- Matrix MiniFlex Abdominal Support - S (6" high x 13.5" to 19" long)³
- Matrix PostureFlex - M (6.5" high x 16" to 23" long)³
- Matrix E2 Fixed Laterals (pr) - 6.5" high x 5" deep compatible with E2S back³
- Matrix Mini Fixed Laterals (ea) - 4.5" high x 3" deep compatible with Mini back³
- Matrix Mini Swingaway Lateral with X Small pad (ea)³
- Matrix Mini Swingaway Lateral with Small pad (ea)³
- Matrix E2 Swingaway Lateral with Med pad (ea)³
- Matrix E2 Swingaway Lateral with Large pad (ea)³
- Matrix Mini Chest Harness Interface Bracket³ (Bracket only, Harness not included)
- Matrix E2 Chest Harness Int. Fits 14" and 15" wide E2 backs³
- Matrix E2 Chest Harness Int. Fits 16" wide E2 backs³
- E2 Backbone PSIS/Lumbar Support³

³Must be ordered with Matrix Back Support option.

Pelvic Positioning

2-Point Pelvic Positioning Belt

4-Point Pelvic Positioning Belt by R82 (Camlock Kit and Seat Pan Required)

- Hip Width: 6.75" - 12.5" (Size XS)
- Hip Width: 8.25" - 13.75" (Size S)
- Hip Width: 9.75" - 16.25" (Size M)
- Hip Width: 12.5" - 17.25" (Size L)
- Hip Width: 16.25" - 20.5" (Size XL)
- Camlock Kit for 4-Point Belt

Left Width, Height Adj. Lateral Pelvic Support (Hip Guide)

- Small - H: 4.5" - 5.5"
- Large - H: 5.25" - 6.25"

Right Width, Height Adj. Lateral Pelvic Support (Hip Guide)

- Small - H: 4.5" - 5.5"
- Large - H: 5.25" - 6.25"

Medial Thigh Support

- Medium (2.6" front width, 4.1" depth, 2" back width, 2.7" height)
- Large (3.3" front width, 5" depth, 2.3" back width, 2.9" height)
- X-Large (4" front width, 6" depth, 3" back width, 3" height)

***Height is reduced by 2" when used with Cushion.**

Price	HCPCS	FL12	FL13	FL14	FL15	FL16
\$235	E0955	CESP6	CESP6	CESP6	CESP6	CESP6
\$235	E0955	CESP10	CESP10	CESP10	CESP10	CESP10
\$235	E0955	CESP14	CESP14	CESP14	CESP14	CESP14
\$325	E0955	CE4PTSM	CE4PTSM	CE4PTSM	CE4PTSM	CE4PTSM
\$225	E0128	CMEHW	CMEHW	CMEHW	CMEHW	CMEHW
\$225	E0128	CMEMH	CMEMH	CMEMH	CMEMH	CMEMH
\$215	E0128	CLXSHW	CLXSHW	CLXSHW	CLXSHW	CLXSHW
\$215	E0128	CLXMMH	CLXMMH	CLXMMH	CLXMMH	CLXMMH

Price	HCPCS	FL12	FL13	FL14	FL15	FL16
\$209	E0960	C905476	C905476	C905476	C905476	C905476
\$209	E0960	C905152	C905152	C905152	C905152	C905152
\$209	E0960	C905153	C905153	C905153	C905153	C905153
\$209	E0960	C905154	C905154	C905154	C905154	C905154
\$209	E0960	C905480	C905480	C905480	C905480	C905480
\$209	E0960	C905481	C905481	C905481	C905481	C905481
N/C		C905392	C905392	C905392	C905392	C905392
\$282	E0960	C905155	C905155	C905155	C905155	C905155
\$282	E0960	C905156	C905156	C905156	C905156	C905156
\$282	E0960	C905157	C905157	C905157	C905157	C905157
\$282	E0960	C905158	C905158	C905158	C905158	C905158
N/C		C905392	C905392	C905392	C905392	C905392
\$198	E0960	C905176	C905176	C905176	C905176	C905176
\$198	E0960	C905177	C905177	C905177	C905177	C905177
\$198	E0960	C905178	C905178	C905178	C905178	C905178
\$198	E0960	C905179	C905179	C905179	C905179	C905179
\$198	E0960	C905180	C905180	C905180	C905180	C905180
N/C		C905392	C905392	C905392	C905392	C905392
\$235	E01028	C905338	C905338	C905338	C905338	C905338
\$235	E01028	C905337	C905337	C905337	C905337	C905337
\$0		C905327	C905327	C905327	C905327	C905327
\$0		C905328	C905328	C905328	C905328	C905328
\$0		C905329	C905329	C905329	C905329	C905329
\$0		C905330	C905330	C905330	C905330	C905330
\$220	E0956	C905331	C905331	C905331	C905331	C905331
\$220	E0956	C905332	C905332	C905332	C905332	C905332
\$220	E0956	C905333	C905333	C905333	C905333	C905333
\$220	E0956	C905334	C905334	C905334	C905334	C905334
\$220	E0956	C905335	C905335	C905335	C905335	C905335
\$96		C905336	C905336	C905336	C905336	C905336
\$52	E0960	C905411	C905411	C905411	C905411	C905411

Price	HCPCS	FL12	FL13	FL14	FL15	FL16
\$185		CMINIFLEX-XS	CMINIFLEX-XS	CMINIFLEX-XS		
\$185		CMINIFLEX-S	CMINIFLEX-S	CMINIFLEX-S		
\$245				CPFLEX-M	CPFLEX-M	CPFLEX-M
\$290	E0956	CE2FL	CE2FL	CE2FL	CE2FL	CE2FL
\$85	E0956	CMINILAT	CMINILAT	CMINILAT	CMINILAT	CMINILAT
\$335	E0128/E0956	CSAHMINI-XS	CSAHMINI-XS	CSAHMINI-XS	CSAHMINI-XS	CSAHMINI-XS
\$335	E0128/E0956	CSAHMINI-S	CSAHMINI-S	CSAHMINI-S	CSAHMINI-S	CSAHMINI-S
\$335	E0128/E0956			CSAHEB-M	CSAHEB-M	CSAHEB-M
\$335	E0128/E0956			CSAHEB-L	CSAHEB-L	CSAHEB-L
\$75	E0128/E0956	CCHIMB	CCHIMB	CCHIMB		
\$75				CE2CHI-S	CE2CHI-S	
\$75						CE2CHI-M
\$55				CE2BKB	CE2BKB	CE2BKB

Price	HCPCS	FL12	FL13	FL14	FL15	FL16
\$47	E0978	C903931	C903931	C903931	C904559	C904559
\$140	K0108	C905148	C905148	C905148	C905148	C905148
\$140	K0108	C905149	C905149	C905149	C905149	C905149
\$140	K0108	C905150	C905150	C905150	C905150	C905150
\$140	K0108	C905151	C905151	C905151	C905151	C905151
\$140	K0108	C905475	C905475	C905475	C905475	C905475
N/C		C905393	C905393	C905393	C905393	C905393
\$125	E0956	C905320	C905320	C905320	C905320	C905320
\$125	E0956	C905322	C905322	C905322	C905322	C905322
\$125	E0956	C905321	C905321	C905321	C905321	C905321
\$125	E0956	C905323	C905323	C905323	C905323	C905323
\$169	E0957	C905389	C905389	C905389	C905389	C905389
\$169	E0957	C905390	C905390	C905390	C905390	C905390
\$169	E0957	C905391	C905391	C905391	C905391	C905391

Foot & Leg Positioning

Front Riggings (Footplates attach to the Front Riggings)

- 65° Removable Front Riggings - Short (5" - 11" Seat Pan to Footrest Height)
- 65° Removable Front Riggings - Long (5" - 13" Seat Pan to Footrest Height)
- 90° Removable Front Riggings - (5.7" - 11" Seat Pan to Footrest Height)
- Angle Adjustable Elevating Leg Rest (ELR) - Pair ***
- Legrest Extension +2** - Pair (ELR Required)
- Padded Elevating Legrest Cover (Pair)

Price	HCPCS
N/C	E0990
N/C	E0990
N/C	E0990
\$260	K0195
\$57	
\$15	K0108

FL12	FL13	FL14	FL15	FL16
C905466	C905466	C905466	C905466	C905466
C905465	C905465	C905465	C905465	C905465
C905467	C905467	C905467	C905467	C905467
C905077	C905077	C905078	C905078	C905136
C904095	C904095	C904096	C904096	C904097
C904619	C904619	C904619	C904619	C904619
C905160	C905161	C905162	C905163	C905164
C905072	C905073	C905074	C905075	C905076
C905165	C905165	C905166	C905166	C905166
C903415	C903415	C903415	C903415	C903415
C903416	C903416	C903416	C903416	C903416
C903417	C903417	C903417	C903417	C903417
C904679	C904679	C904679	C904679	C904679
C904680	C904680	C904680	C904680	C904680
C904954	C904954	C904955	C904955	C904956
C904580	C904580	C904580	C904580	C904580

Footplates

- One-Piece Angle Adjustable Footplates (Flip Up and Reversible) (ELR Required)
- One-Piece Fixed Angle Footplates (Flip-up and Reversible Footplate) (ELR Required)
- Individual Angle Adjustable Footplates - Pair (Compatible with std fixed front riggings or ELR)

Price	HCPCS
\$115	K0040
N/C	
\$186	K0040

Foot Positioners (Pair)

- Small 7" - 10"
- Medium 8" - 11"
- Large 9" - 12"

Price	HCPCS
\$163	K0108
\$163	K0108
\$163	K0108

Theraphin Shoe Holders w/Padded Straps (Pair)

- Small
- Medium
- Fully Padded Footbox (one-piece footplate required)
- Calf Panel

Price	HCPCS
\$196	K0108
\$196	K0108
\$339	K0108
\$64	

*2" Legrest Extension interferes with caster swivel when seat is in upright position. Seat must be tilted back at least 5° OR Legrests must be elevated to allow caster swivel.

**Seat to footplate range varies from 5.25" - 18" depending on chair size.

***Recommended for full recline.

Flyer Seating Module Accessories

Headrest Cover Options (Canopy)

- Headrest Cover (Canopy)⁹
- Extended Headrest Cover - No Windows (Canopy)⁹
- Extended Headrest Cover - with Windows (Canopy)⁹
- IV Pole (height adjustable and collapsible)⁹**
- Upper Extremity Support Tray (Flip-Up Armrests)***
- Adj. Removable Hardware (Required for Clear Tray) (Flip-Up Armrests)
- Upper Extremity Support Tray (Removable Armrests) Size 1
- Upper Extremity Support Tray (Removable Armrests) Size 2
- Upper Extremity Support Tray (Removable Armrests) Size 3
- Adj. Removable Hardware (Required for Clear Tray) (Removable Armrests)
- Upper Extremity Support Surface (Foam Tray)

Price	HCPCS
\$238	K0108
\$260	K0108
\$307	K0108
\$157	K0105
\$116	E0950
\$237	E1028
\$167	E0950
\$167	E0950
\$167	E0950
\$193	E1028
\$158	E0950

FL12	FL13	FL14	FL15	FL16
C902679	C902679	C902659	C902659	C903152
C904729	C904729	C904730	C904730	C904731
C904745	C904745	C904746	C904746	C904747
C904566	C904566	C904566	C904566	C904566
C903405	C903405	C903401	C903401	C904525
C903369	C903369	C903369	C903369	C903369
C905398	C905398	C905398		
	C905399	C905399	C905399	
C905401	C905401	C905400	C905400	C905400
C903669	C903669	C903670	C903670	C903670

**Cannot be used during transit.

^Armrests required for sizes 12, 13, and 14. Armrest is standard on sizes 15 & 16.

^^Required with medium or tall back canes.

9V Pole & Canopy Cannot be used simultaneously.

*Requires Rear Anti-Tip Tubes.

Frame Colors

- Cherry Red
- Royal Blue
- Cosmic Silver
- Plum Purple

Price	HCPCS
N/C	
N/C	
N/C	
N/C	

FL12	FL13	FL14	FL15	FL16
C905133	C905133	C905133	C905133	C905133
C905134	C905134	C905134	C905134	C905134
C905135	C905135	C905135	C905135	C905135
C905461	C905461	C905461	C905461	C905461

Tire Selection

- 11.5" Rear Tire, 6" x 2" Front Caster (15" Front Seat to Floor Height)
- Select One:**
 - 11.5" Rear Fixed Wheels
 - 11.5" Quick Release Rear Wheels
- 16" Rear Tire, 7.5" x 2" Front Caster (17" Front Seat to Floor Height)
- Select One:**
 - 16" Rear Fixed Wheels
 - 16" Quick Release Rear Wheels

Price	HCPCS
N/C	
N/C	
N/C	
N/C	
N/C	
N/C	

FL12	FL13	FL14	FL15	FL16
C905303	C905304	C905305	C905306	C905307
C905384	C905384	C905384	C905384	C905384
C905387	C905387	C905387	C905387	C905387
C905059	C905060	C905061	C905062	C905063
C905385	C905385	C905385	C905385	C905385
C905388	C905388	C905388	C905388	C905388

Transit Options

- Q'Straint Transit Lap Belt
- Sure-Lok Transit Lap Belt

Price	HCPCS
\$94	E0978
\$94	E0978

FL12	FL13	FL14	FL15	FL16
C903094	C903094	C903094	C903094	C903094
C903232	C903232	C903232	C903232	C903232

Medical Support Accessories

- O2 Tank Holder*
- LTV Ventilator Holder
- Ventilator/Suction/Hard Tray (H:2.6", L: 13.1", W: Seat Width+1.4")
- Medical Necessity Storage Basket
- Caster Locks (Manufacturer Installation Required) (ELR recommended to avoid caster & front rigging interference)
- Curb Tipper
- Rear Anti-Tip Tubes
- Under Seat Storage Basket

Price	HCPCS
\$182	E2208
\$469	E1029
\$469	E1029
\$307	
\$98	K0073
\$102	
\$120	E0971
\$125	

FL12	FL13	FL14	FL15	FL16
C905070	C905070	C905070	C905070	C905070
C905071	C905071	C905071	C905071	C905071
C905079	C905079	C905079	C905079	C905079
C905274	C905274	C905275	C905275	C905275
C904650	C904650	C904650	C904650	C904650
C905365	C905365	C905365	C905365	C905365
C905069	C905069	C905069	C905069	C905069
C905195	C905195	C905196	C905196	C905196

*Cannot be used during transit.

***The Flyer Transit option includes four manufacturer installed black wheelchair transportation anchors. The Flyer Transit model has been crash tested and conforms to RESNA WC19 standards.

The Convoid Flyer Mobility Base was tested with the Flyer Seating Module equipped with a head support and wheelchair anchored pelvic lap belt. The performance and safety of accessories and/or other seating options not tested by Convoid is unknown, and no warranty or claim about their performance is or can being made.

Transit and Non Transit weight capacity: Back Cane Position 1: 85 lbs/39 kg and Back Cane Position 2-4: 170 lbs/77 kg.

Furthermore, when being transported in a vehicle it is Convoid's position that the wheelchair user transfer from the wheelchair into appropriate vehicle seating during transportation. Please note that at this time, the Department of Transportation has not officially approved any tie-down system for a user while in a wheelchair, therefore Convoid cannot recommend a transit system.

For more information on RESNA WC-19 and WC-20 standards please visit <http://www.nercwrts.pitt.edu/WC19.html>.

HCPCS codes are provided for your convenience and are NOT to be considered billing or legal advice. Providers are responsible for insuring that appropriate billing codes are used when submitting claims. Proper use of HCPCS codes does not insure coverage or payment. Contact the appropriate payer for coverage information.

Standard Domestic Shipping Rate: \$40 • For expedited shipping rates, please call 1-844-876-6245 or email convoidsales.us@etac.com

Prices in USD & subject to change, ex works Torrance, California.

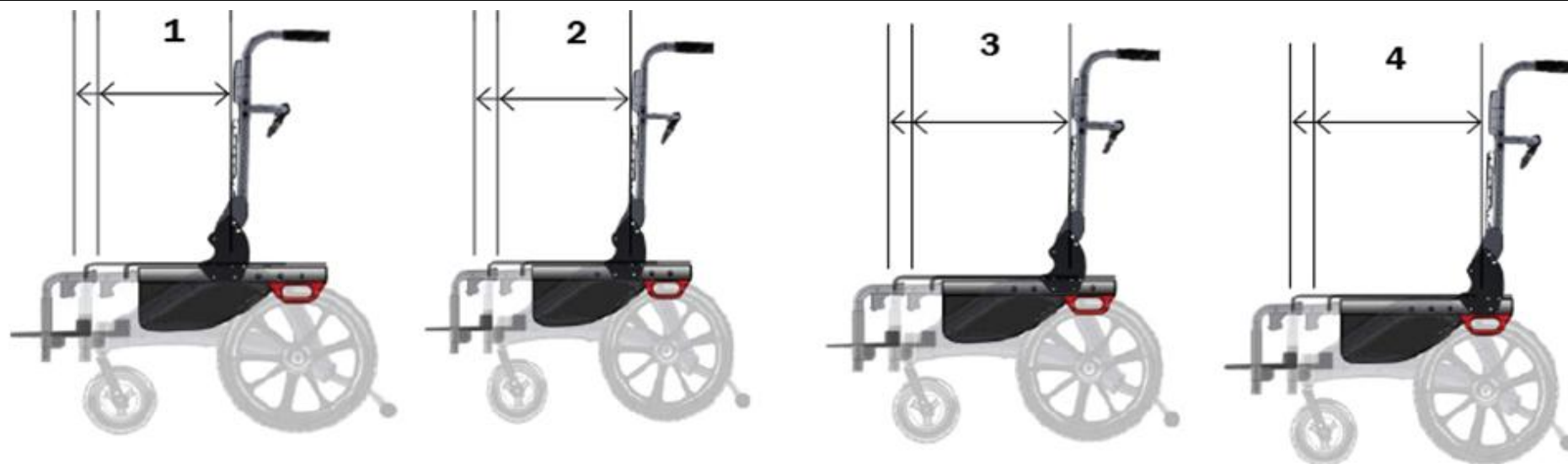
Effective: 7/18/2022

Convoid
2830 California Street
Torrance, CA 90503
1 844-US-MOBILITY (844-876-6245)
www.etac.us.com

OF2400-ENG-Rev.14



Seat Depth Adjustable Positions:



Position Option	1	2	3	4
Seating System Seat Depth Adjustment Range				
Back Canes	11" – 15"	13" – 17"	15" – 19"	17" – 21"
Solid Back*	9.5" – 13.5"	11.5" 15.5"	13.5" – 17.5"	15.5" – 19.5"

*Seat Depth is reduced by 1 1/2" when used with solid back seating system

Footplate Dimensions:

Seat to Footplate Dimensions	Mounting	12" Flyer	13" Flyer	14" Flyer	15" Flyer	16" Flyer
One-Piece Angle Adjustable Footplates	Flip-Up	9in-14in	9in-14in	11in-16in	11in-16in	13in-18in
	Reversible	5.25in-11.25in	5.25in-11.25in	7.25in-13.25in	7.25in-13.25in	9.25in-15.25in
One-Piece Fixed Angle Footplates	Flip-Up	9in-14in	9in-14in	11in-16in	11in-16in	13in-18in
	Reversible	5.25in-11.25in	5.25in-11.25in	7.25in-13.25in	7.25in-13.25in	9.25in-15.25in
Individual Angle Adjustable Footplates - Pair	Flip-Up	7in-13in	7in-13in	9.5in-15.5in	9.5in-15.5in	12in-18in
	Reversible	4.5in-9.25in	4.25in-11in	4.25in-11in	4.25-11in	7.25in-13.25in

Height Adjustable Removable Armrest Length:

Recommended Height Adjustable Removable Armrest Length per Seat Depth Position				
	Seat Depth Position 1	Seat Depth Position 2	Seat Depth Position 3	Seat Depth Position 4
Height Adjustable Removable Armrest - Short 9.00" Length	●	●		
Height Adjustable Removable Armrest - Short 9.00" Length			●	●