

Convoid Flyer

Canadian Retail Price List / Order Form

Account #: _____

Purchase Order #: _____

Date: _____

Contact: _____ ATP/RTS: _____

Mark For: _____

Bill To:	Ship To:
Address:	Address:
City/State/Zip:	
Phone:	City/State/Zip:
Email:	Phone:

Flyer Base Standard Features:

- CG Tilt-in-Space (-5° to +40°)
- 30° back angle adjustment (80° to 110°)
- Quick Release Rear Wheels
- Single Foot Activated Wheel Lock
- HCPCS code E1161 is only valid on chairs 15" or greater
- Removable Front Riggings with Fixed Angled Footplate (Choose Option Below)
- Flip-up armrests - Long (Standard on FL15 and FL16)
- Choice of 3 Mobility Base colors
- One Piece Push Handle
- Choice of three back cane heights
- Made in the USA

Standard Models:

- Flyer Base Assembly - C905088
- Flyer Seat Module - C905092

Price

\$983
\$2,839

All prices in CAD |

Flyer Seating Module

- Flyer Seat Width 12"
- Flyer Seat Width 13"
- Flyer Seat Width 14"
- Flyer Seat Width 15"
- Flyer Seat Width 16"

Transit Option Complete: (Manufacturer Installation Required)

- Base Bracket±^
- Seat Frame Bracket±^

Back Cane Fixed Heights* (7/8" diameter)- with Push Handles (Select One):

- Short: 19" - (Supports back height range: 13" - 19")*** (Cannot be used with IV Pole)
- Medium: 22" - (Supports back height range 13" - 22")***
- Tall: 25" - (Supports back height range 13" - 25")***

- Height Adjustable Back Pans (4 Pieces)

- Back Cushions & Cover (Includes Height Adjustable Back Pans) (13" - 25")****

Seat Depth Range Options (see chart on last page of order form)

- Position 1: 11"-15"
- Position 2: 13"-17"
- Position 3: 15"-19"
- Position 4: 17"- 21"

±See bottom of order form regarding the specific configuration in which the chair was tested for WC-19.

^Pelvic positioning belt required.

*Seat Depth is reduced by 1 1/2" when used with Solid Back System with Cushions and requires tools.

***Measured from pan to push handle bend.

****Height Adjustable Solid Back System w/Back Cushion HCPCS code only applies to pediatric sizes 12, 13, and 14.

Flyer Seating Module

Recline System (80 to 170 degrees) (Manufacturer installation required)

- Recline on Flyer 12, 13, 14
- Recline on Flyer 15 and 16±

Flip-up, Height Adjustable, Armrest - Pair (Select option for sizes 12, 13, or 14)*

- Height adjustable Flip-Up Armrests (pair) - Short 8.34" Length
- Height adjustable Flip-Up Armrests (pair) - Short 8.34" Length
- Height adjustable Flip-Up Armrests (pair) - Long 11.34" Length
- Height adjustable Flip-Up Armrests (pair) - Long 11.34" Length

Removable Adjustable, Armrest - Pair

- Height Adjustable Removable Armrests (pair) - Short 9.00" Length
- Height Adjustable Removable Armrests (pair) - Long 11.00" Length

One-Piece Height Adjustable Push Handle Option (+- 9" height adjustable from back canes height) (Select One):

- Outside Mount
- Inside Mount

- Two Piece Push Handle^

± For FL15 and FL16, use HCPCS code E1225.

*Flip-up armrest is standard on sizes 15 and 16.

^30 Day Standard Delivery.

Flyer Upholstery Color Options

Cushion Accent Color (cushion is black, color is for piping along sides) Select One:

- Royal Blue
- Forest Green
- Cherry Red
- Sassy Purple
- Princess Pink
- Panther Black
- Chocolate Brown
- Aqua Blue
- Apple Green

Matrix Back Support Options

- Matrix E2 (FLwidth x 10"h) Color Black Meshtex¹
- Matrix E2 (FLwidth x 12h) Color Black Meshtex¹
- Matrix E2 (FLwidth x 14"h) Color Black Meshtex¹
- Matrix E2 (FLwidth x 16"h) Color Black Meshtex¹
- Matrix E2 (FLwidth x 18"h) Color Black Meshtex¹
- Matrix E2 (FLwidth x 20"h) Color Black Meshtex¹

¹Must be ordered with Back Canes Only option.

Matrix Back Support Options - Deep

- Matrix E2 Deep (FLwidth x 10"h) Color Black Meshtex¹
- Matrix E2 Deep (FLwidth x 12"h) Color Black Meshtex¹
- Matrix E2 Deep (FLwidth x 14"h) Color Black Meshtex¹
- Matrix E2 Deep (FLwidth x 16"h) Color Black Meshtex¹
- Matrix E2 Deep (FLwidth x 18"h) Color Black Meshtex¹
- Matrix E2 Deep (FLwidth x 20"h) Color Black Meshtex¹

¹Must be ordered with Back Canes Only option.

Price

N/C
N/C
N/C
N/C
N/C

\$137
\$138

N/C
N/C

\$205
\$716

N/C
N/C

N/C
N/C

N/C
N/C

N/C
N/C

N/C
N/C

N/C
N/C

\$655
\$655

\$311
\$0

\$311
\$0

\$397
\$397

N/C
N/C

N/C
N/C

N/C
N/C

N/C
N/C

N/C
N/C

N/C
N/C

N/C
N/C

N/C
N/C

N/C
N/C

N/C
N/C

N/C
N/C

N/C
N/C

N/C
N/C

N/C
N/C

N/C
N/C

N/C
N/C

N/C
N/C

N/C
N/C

N/C
N/C

N/C
N/C

FL12	FL13	FL14	FL15	FL16
C905517				
	C905518			
		C905519		
			C905520	
				C905521
C905082	C905082	C905082	C905082	C905082
C905515	C905515	C905515	C905515	C905515
C905054	C905054	C905054	C905054	C905054
C905055	C905055	C905055	C905055	C905055
C905056	C905056	C905056	C905056	C905056
C905058	C905058	C905058	C905058	C905058
C905093	C905094	C905095	C905096	C905097
C905197	C905197	C905197	C905197	C905197
C905198	C905198	C905198	C905198	C905198
C905199	C905199	C905199	C905199	C905199
C905200	C905200	C905200	C905200	C905200

FL12	FL13	FL14	FL15	FL16
C905037	C905037	C905037		
			C905038	C905038
C905167	C905167	C905167		
			C905167	C905167
C905168	C905168	C905168		
			C905168	C905168
C905396	C905396	C905396	C905396	C905396
C905397	C905397	C905397	C905397	C905397
C905108	C905109	C905110	C905111	C905112
C905098	C905099	C905100	C905101	C905102
C905311	C905311	C905311	C905311	C905311

FL12	FL13	FL14	FL15	FL16
C903850	C903850	C903850	C903850	C903850
C903857	C903857	C903857	C903857	C903857
C903855	C903855	C903855	C903855	C903855
C903851	C903851	C903851	C903851	C903851
C903759	C903759	C903759	C903759	C903759
C903854	C903854	C903854	C903854	C903854
C904189	C904189	C904189	C904189	C904189
C904753	C904753	C904753	C904753	C904753
C904754	C904754	C904754	C904754	C904754

FL12	FL13	FL14	FL15	FL16
		CE2S1410	CE2S1510	CE2S1610
		CE2S1412	CE2S1512	CE2S1612
		CE2S1414	CE2S1514	CE2S1614
		CE2S1416	CE2S1516	CE2S1616
		CE2S1418	CE2S1518	CE2S1618
		CE2S1420	CE2S1520	CE2S1620

FL12	FL13	FL14	FL15	FL16
		CE2D1410	CE2D1510	CE2D1610
		CE2D1412	CE2D1512	CE2D1612
		CE2D1414	CE2D1514	CE2D1614
		CE2D1416	CE2D1516	CE2D1616
		CE2D1418	CE2D1518	CE2D1618
		CE2D1420	CE2D1520	CE2D1620

Matrx Back Support Options - Mini

<input type="checkbox"/> Matrx Mini ((FLwidth-1)"w x 7"h) Color Kidabra ¹	Price
<input type="checkbox"/> Matrx Mini ((FLwidth-1)"w x 10"h) Color Kidabra ¹	\$818
<input type="checkbox"/> Matrx Mini ((FLwidth-1)"w x 12"h) Color Kidabra ¹	\$818
<input type="checkbox"/> Matrx Mini ((FLwidth-1)"w x 14"h) Color Kidabra ¹	\$818
<input type="checkbox"/> Matrx Mini ((FLwidth-1)"w x 7"h) Color Pink ¹	\$818
<input type="checkbox"/> Matrx Mini ((FLwidth-1)"w x 10h) Color Pink ¹	\$818
<input type="checkbox"/> Matrx Mini ((FLwidth-1)"w x 12"h) Color Pink ¹	\$818
<input type="checkbox"/> Matrx Mini ((FLwidth-1)"w x 14"h) Color Pink ¹	\$818
<input type="checkbox"/> Matrx Mini ((FLwidth-1)"w x 7"h) Color Blue ¹	\$818
<input type="checkbox"/> Matrx Mini ((FLwidth-1)"w x 10"h) Color Blue ¹	\$818
<input type="checkbox"/> Matrx Mini ((FLwidth-1)"w x 12"h) Color Blue ¹	\$818
<input type="checkbox"/> Matrx Mini ((FLwidth-1)"w x 14"h) Color Blue ¹	\$818
<input type="checkbox"/> Matrx Mini ((FLwidth-1)"w x 7"h) Color Black Startex ¹	\$818
<input type="checkbox"/> Matrx Mini ((FLwidth-1)"w x 10"h) Color Black Startex ¹	\$818
<input type="checkbox"/> Matrx Mini ((FLwidth-1)"w x 12"h) Color Black Startex ¹	\$818
<input type="checkbox"/> Matrx Mini ((FLwidth-1)"w x 14"h) Color Black Startex ¹	\$818

¹Must be ordered with Back Canes Only option.

Seat Options

Select One:	Price
<input type="checkbox"/> Planar Seat Cushion (Includes Solid Seat Pan)** (Same Color as Selected Back Cushion)	\$445
<input type="checkbox"/> Seat Pan: 12"-16" Width, 4" Depth Growth ^^	\$205

**Planar Seat Cushion HCPCS code only applies to pediatric sizes 12, 13, and 14.

^^Needed when using other manufacturer's seat cushion.

Matrx Seat Support Options - Libra

<input type="checkbox"/> Matrx Libra ((FLwidth)"w x 12"d) Color Black Startex ²	Price
<input type="checkbox"/> Matrx Libra ((FLwidth)"w x 14"d) Color Black Startex ²	\$635
<input type="checkbox"/> Matrx Libra ((FLwidth)"w x 16"d) Color Black Startex ²	\$635
<input type="checkbox"/> Matrx Libra ((FLwidth)"w x 18"d) Color Black Startex ²	\$635
<input type="checkbox"/> Matrx Libra ((FLwidth)"w x 20"d) Color Black Startex ²	\$635

²Must be ordered with Seat Pan Only option

Matrx Seat Support Options - Vi

<input type="checkbox"/> Matrx Kidabra-Vi ((FL width)x12d Color Kidabra ²	Price
<input type="checkbox"/> Matrx Kidabra-Vi ((FL width)x14d Color Kidabra ²	\$556
<input type="checkbox"/> Matrx-Vi ((FL width)x15d Color Black Meshtex ²	\$556
<input type="checkbox"/> Matrx-Vi ((FL width)x16d Color Black Meshtex ²	\$556
<input type="checkbox"/> Matrx-Vi ((FL width)x17d Color Black Meshtex ²	\$556
<input type="checkbox"/> Matrx-Vi ((FLwidth)x18d Color Black Meshtex ²	\$556
<input type="checkbox"/> Matrx-Vi ((FLwidth)x20d Color Black Meshtex ²	\$556

²Must be ordered with Seat Pan Only option

Matrx Seat Support Options - PS

<input type="checkbox"/> Matrx PS ((FLwidth)"w x 12"d) Color Kidabra ²	Price
<input type="checkbox"/> Matrx PS ((FLwidth)"w x 14"d) Color Kidabra ²	\$452
<input type="checkbox"/> Matrx PS ((FLwidth)"w x 16"d) Color Kidabra ²	\$452
<input type="checkbox"/> Matrx PS ((FLwidth)"w x 12"d) Color Pink ²	\$452
<input type="checkbox"/> Matrx PS ((FLwidth)"w x 14"d) Color Pink ²	\$452
<input type="checkbox"/> Matrx PS ((FLwidth)"w x 16"d) Color Pink ²	\$452
<input type="checkbox"/> Matrx PS ((FLwidth)"w x 12"d) Color Blue ²	\$452
<input type="checkbox"/> Matrx PS ((FLwidth)"w x 14"d) Color Blue ²	\$452
<input type="checkbox"/> Matrx PS ((FLwidth)"w x 16"d) Color Blue ²	\$452
<input type="checkbox"/> Matrx PS ((FLwidth)"w x 12"d) Black Startex Reversible Cover ²	\$452
<input type="checkbox"/> Matrx PS ((FLwidth)"w x 14"d) Black Startex Reversible Cover ²	\$452
<input type="checkbox"/> Matrx PS ((FLwidth)"w x 16"d) Black Startex Reversible Cover ²	\$452
<input type="checkbox"/> Matrx PS ((FLwidth)"w x 18"d) Black Startex Reversible Cover ²	\$452
<input type="checkbox"/> Matrx PS ((FLwidth)"w x 20"d) Black Startex Reversible Cover ²	\$452

²Must be ordered with Seat Pan Only option

Matrx Seat Support Options - PSP

<input type="checkbox"/> Matrx PSP ((FLwidth)"w x 12"d) Color Kidabra ²	Price
<input type="checkbox"/> Matrx PSP ((FLwidth)"w x 14"d) Color Kidabra ²	\$517
<input type="checkbox"/> Matrx PSP ((FLwidth)"w x 16"d) Color Kidabra ²	\$517
<input type="checkbox"/> Matrx PSP ((FLwidth)"w x 12"d) Color Pink ²	\$517
<input type="checkbox"/> Matrx PSP ((FLwidth)"w x 14"d) Color Pink ²	\$517
<input type="checkbox"/> Matrx PSP ((FLwidth)"w x 16"d) Color Pink ²	\$517
<input type="checkbox"/> Matrx PSP ((FLwidth)"w x 12"d) Color Blue ²	\$517
<input type="checkbox"/> Matrx PSP ((FLwidth)"w x 14"d) Color Blue ²	\$517
<input type="checkbox"/> Matrx PSP ((FLwidth)"w x 16"d) Color Blue ²	\$517
<input type="checkbox"/> Matrx PSP ((FLwidth)"w x 12"d) Black Startex Reversible Cover ²	\$517
<input type="checkbox"/> Matrx PSP ((FLwidth)"w x 14"d) Black Startex Reversible Cover ²	\$517
<input type="checkbox"/> Matrx PSP ((FLwidth)"w x 16"d) Black Startex Reversible Cover ²	\$517
<input type="checkbox"/> Matrx PSP ((FLwidth)"w x 18"d) Black Startex Reversible Cover ²	\$517
<input type="checkbox"/> Matrx PSP ((FLwidth)"w x 20"d) Black Startex Reversible Cover ²	\$517

²Must be ordered with Seat Pan Only option.

Head Supports

<input type="checkbox"/> Adjustable Wing Head Support****	Price
Anatomic Headrest with Cover by R82 (Requires Headrest Universal Mount & Swing-away Mounting Bracket)	\$362
<input type="checkbox"/> Small	\$348
<input type="checkbox"/> Medium	\$348
R82 Adjustable Width Headrest, Dynamic - Long (Requires Headrest Universal Mount & Swing-away Mounting Bracket)	
<input type="checkbox"/> Adjustable Width Headrest Large Laterals w/Speakers, Dynamic, Black Cover - Long	\$656
<input type="checkbox"/> Adjustable Width Headrest, Large Laterals, Dynamic, Black Cover - Long	\$526
<input type="checkbox"/> Adjustable Width Headrest Two Laterals, Dynamic, Black Cover - Long	\$526
<input type="checkbox"/> Adjustable Width Headrest Four Laterals, Dynamic, Black Cover - Long	\$526
R82 Adjustable Width Headrest, Dynamic - Short (Requires Headrest Universal Mount & Swing-away Mounting Bracket)	
<input type="checkbox"/> Adjustable Width Headrest Large Laterals w/Speakers, Dynamic, Black Cover - Short	\$656
<input type="checkbox"/> Adjustable Width Headrest, Large Laterals, Dynamic, Black Cover - Short	\$526
<input type="checkbox"/> Adjustable Width Headrest Two Laterals, Dynamic, Black Cover - Short	\$526
<input type="checkbox"/> Adjustable Width Headrest Four Laterals, Dynamic, Black Cover - Short	\$526
R82 Adjustable Width Headrest, Non-Dynamic - Long (Requires Headrest Universal Mount & Swing-away Mounting Bracket)	
<input type="checkbox"/> Adjustable Width Headrest Large Laterals w/Speakers, Non-Dynamic, Black Cover - Long	\$553
<input type="checkbox"/> Adjustable Width Headrest, Large Laterals, Non-Dynamic, Black Cover - Long	\$416
<input type="checkbox"/> Adjustable Width Headrest Two Laterals, Non-Dynamic, Black Cover - Long	\$416
<input type="checkbox"/> Adjustable Width Headrest Four Laterals, Non-Dynamic, Black Cover - Long	\$416
R82 Adjustable Width Headrest, Non-Dynamic - Short (Requires Headrest Universal Mount & Swing-away Mounting Bracket)	
<input type="checkbox"/> Adjustable Width Headrest Large Laterals w/Speakers, Non-Dynamic, Black Cover - Short	\$553
<input type="checkbox"/> Adjustable Width Headrest, Large Laterals, Non-Dynamic, Black Cover - Short	\$416
<input type="checkbox"/> Adjustable Width Headrest Two Laterals, Non-Dynamic, Black Cover - Short	\$416
<input type="checkbox"/> Adjustable Width Headrest Four Laterals, Non-Dynamic, Black Cover - Short	\$416
Swing-Away Mounting Bracket - Height, Depth, Angle & Lateral Adjustable by R82 (Required for R82 head supports) (Select One):	
<input type="checkbox"/> Turtle Neck Bar System, Short	\$314
<input type="checkbox"/> Turtle Neck Bar System, Long	\$314
<input type="checkbox"/> Headrest Universal Mount (Accommodates most manufacturer's head supports)****	\$75

****Requires the Height Adjustable Solid Back System.

CMINI1107-K	CMINI1207-K	CMINI1307-K		
CMINI1110-K	CMINI1210-K	CMINI1310-K		
CMINI1112-K	CMINI1212-K	CMINI1312-K		
CMINI1114-K	CMINI1214-K	CMINI1314-K		
CMINI1107-P	CMINI1207-P	CMINI1307-P		
CMINI1110-P	CMINI1210-P	CMINI1310-P		
CMINI1112-P	CMINI1212-P	CMINI1312-P		
CMINI1114-P	CMINI1214-P	CMINI1314-P		
CMINI1107-B	CMINI1207-B	CMINI1307-B		
CMINI1110-B	CMINI1210-B	CMINI1310-B		
CMINI1112-B	CMINI1212-B	CMINI1312-B		
CMINI1114-B	CMINI1214-B	CMINI1314-B		
CMINI1107-S	CMINI1207-S	CMINI1307-S		
CMINI1110-S	CMINI1210-S	CMINI1310-S		
CMINI1112-S	CMINI1212-S	CMINI1312-S		
CMINI1114-S	CMINI1214-S	CMINI1314-S		

FL12	FL13	FL14	FL15	FL16
C905083	C905084	C905085	C905086	C905087
C905057	C905057	C905057	C905057	C905057

FL12	FL13	FL14	FL15	FL16
		CLC1412		
		CLC1414		
		CLC1416	CLC1516	CLC1616
			CLC1518	CLC1618
			CLC1520	CLC1620

FL12	FL13	FL14	FL15	FL16
CKA1212-Vi		CKA1412-Vi		
CKA1214-Vi		CKA1414-Vi		
		CMA1415-Vi		
			CMA1616-Vi	CMA1616-Vi
			CMA1618-Vi	CMA1618-Vi
			CMA1620-Vi	CMA1620-Vi

FL12	FL13	FL14	FL15	FL16
CPS1212-K	CPS1312-K	CPS1412-K		
CPS1214-K	CPS1314-K	CPS1414-K		
CPS1216-K	CPS1316-K	CPS1416-K		
CPS1212-P	CPS1312-P	CPS1412-P		
CPS1214-P	CPS1314-P	CPS1414-P		
CPS1216-P	CPS1316-P	CPS1416-P		
CPS1212-B	CPS1312-B	CPS1412-B		
CPS1214-B	CPS1314-B	CPS1414-B		
CPS1216-B	CPS1316-B	CPS1416-B		
CPS1212	CPS1312	CPS1412		
CPS1214	CPS1314	CPS1414		
CPS1216	CPS1316	CPS1416	CPS1616	CPS1616
			CPS1618	CPS1618
			CPS1620	CPS1620

FL12	FL13	FL14	FL15	FL16
CPSP1212-K	CPSP1312-K	CPSP1412-K		
CPSP1214-K	CPSP1314-K	CPSP1414-K		
CPSP1216-K	CPSP1316-K	CPSP1416-K		
CPSP1212-P	CPSP1312-P	CPSP1412-P		
CPSP1214-P	CPSP1314-P	CPSP1414-P		
CPSP1216-P	CPSP1316-P	CPSP1416-P		
CPSP1212-B	CPSP1312-B	CPSP1412-B		
CPSP1214-B	CPSP1314-B	CPSP1414-B		
CPSP1216-B	CPSP1316-B	CPSP1416-B		
CPSP1212	CPSP1312	CPSP1412		
CPSP1214	CPSP1314	CPSP1414		
CPSP1216	CPSP1316	CPSP1416	CPSP1616	CPSP1616
			CPSP1618	CPSP1618
			CPSP1620	CPSP1620

FL12	FL13	FL14	FL15	FL16
C904608	C904608	C904608	C904608	C904608
C904950	C904950	C904950	C904950	C904950
C904951	C904951	C904951	C904951	C904951
C905282	C905282	C905282	C905282	C905282
C905173	C905173	C905173	C905173	C905173
C905288	C905288	C905288	C905288	C905288
C905174	C905174	C905174	C905174	C905174
C905284	C905284	C905284	C905284	C905284
C905286	C905286	C905286	C905286	C905286
C905175	C905175	C905175	C905175	C905175
C905290	C905290	C905290	C905290	C905290
C905281	C905281	C905281	C905281	C905281
C905170	C905170	C905170	C905170	C905170
C905289	C905289	C905289	C905289	C905289
C905291	C905291	C905291	C905291	C905291
C905285	C905285	C905285	C905285	C905285
C905287	C905287	C905287	C905287	C905287
C905172	C905172	C905172	C905172	C905172
C905171	C905171	C905171	C905171	C905171
C904948	C904948	C904948	C904948	C904948
C904947	C904947	C904947	C904947	C904947
C904946	C904946	C904946	C904946	C904946

Matrix Headrest Options

- Matrix Standard 6" Pad Startex fabric cover^v
- Matrix Standard 10" Pad Startex fabric cover^v
- Matrix Standard 14" Pad Startex fabric cover^v
- Matrix 4Point Pad - S Startex fabric cover^v
- Matrix Elan hrdwr 15" vertical post^v
- Matrix Elan hrdwr 11" vertical post^v
- Matrix Loxx hardware 15" vertical post^v
- Matrix Loxx hardware 11" vertical post^v

^vRequires Matrix Back Support.

Price

- \$308
- \$308
- \$308
- \$426
- \$295
- \$295
- \$282
- \$282

FL12	FL13	FL14	FL15	FL16
CESP6	CESP6	CESP6	CESP6	CESP6
CESP10	CESP10	CESP10	CESP10	CESP10
CESP14	CESP14	CESP14	CESP14	CESP14
CE4PTSM	CE4PTSM	CE4PTSM	CE4PTSM	CE4PTSM
CMEHW	CMEHW	CMEHW	CMEHW	CMEHW
CMEMH	CMEMH	CMEMH	CMEMH	CMEMH
CLXSHW	CLXSHW	CLXSHW	CLXSHW	CLXSHW
CLXMMH	CLXMMH	CLXMMH	CLXMMH	CLXMMH

Trunk Positioning

Neoprene Vest by R82 (Camlock Kit and Back Pan Required)

- LT Shoulder to RT Hip: 7.75" - 10.75" (Size XS)
- LT Shoulder to RT Hip: 10.75" - 12.5" (Size S)
- LT Shoulder to RT Hip: 12.5" - 16" (Size M)
- LT Shoulder to RT Hip: 16" - 18.5" (Size L)
- LT Shoulder to RT Hip: 18.5" - 20.5" (Size XL)
- LT Shoulder to RT Hip: 20.5" - 23.5" (Size XXL)
- Camlock Kit for Vest

Chest Belt, Upholstered by R82 (Camlock Kit and Back Pan Required)

- W: 11.25" x D:7.5" x H: 9.25-12" (Size 1)
- W: 14" X D: 10.25" X H: 10.25-12.75" (Size 2)
- W: 16.25" X D: 12.5" X H: 10.25-12.75" (Size 3)
- W: 20.25" X D: 16" X H: 11.25-14.5" (Size 4)
- Camlock Kit for Vest

Cross Vest by R82 (Camlock Kit and Back Pan Required)

- LT Shoulder to RT Hip: 7.75" - 12.5" (Size XS)
- LT Shoulder to RT Hip: 10.25" - 13.5" (Size S)
- LT Shoulder to RT Hip: 13.5" - 17.75" (Size M)
- LT Shoulder to RT Hip: 17.75" - 20.75" (Size L)
- LT Shoulder to RT Hip: 20.75" - 24.5" (Size XL)
- Camlock Kit for Vest

Swing-Away Lateral Support Bracket by R82 (Hrdw Req)

- Swing-Away Lateral Support Bracket, Right (Ea.)
- Swing-Away Lateral Support Bracket, Left (Ea.)

Swing-Away Hardware

- Bar, Straight 4¾", (pr)
- Bar, Offset, 1" (pr)
- Bar, Offset 1¾" (pr)
- Bar, Offset 2½" (pr)

Swing-Away Lateral Support Curved Cushion

- Curved Cushion 3½" x 7½" (pr)
- Curved Cushion 2½" x 6¾" (pr)
- Curved Cushion 2½" x 6" (pr)

Swing-Away Lateral Support Standard Cushion

- Standard Cushion 4" x 4"(pr)
- Standard Cushion 2¾" x 6¼" (pr)

Protective Cushion for Laterals, Black (Pr.) (Laterals by R82 only)

1" Thick Padded Lateral Support Cover (X Small only) (Contoured Laterals only)

***Pad Size.**

^Depth of Laterals is reduced by 1.5" with back upholstery.

****Requires height adjustable solid back system.**

Price

- \$273
- \$273
- \$273
- \$273
- \$273
- \$273
- N/C
- \$369
- \$369
- \$369
- \$369
- N/C
- \$259
- \$259
- \$259
- \$259
- \$259
- N/C
- \$307
- \$307
- \$0
- \$0
- \$0
- \$0
- \$284
- E0956
- \$284
- E0956
- \$284
- E0956
- \$284
- E0956
- \$284
- E0956
- \$125
- \$68
- E0960

FL12	FL13	FL14	FL15	FL16
C905476	C905476	C905476	C905476	C905476
C905152	C905152	C905152	C905152	C905152
C905153	C905153	C905153	C905153	C905153
C905154	C905154	C905154	C905154	C905154
C905480	C905480	C905480	C905480	C905480
C905481	C905481	C905481	C905481	C905481
C905392	C905392	C905392	C905392	C905392
C905155	C905155	C905155	C905155	C905155
C905156	C905156	C905156	C905156	C905156
C905157	C905157	C905157	C905157	C905157
C905158	C905158	C905158	C905158	C905158
C905392	C905392	C905392	C905392	C905392
C905176	C905176	C905176	C905176	C905176
C905177	C905177	C905177	C905177	C905177
C905178	C905178	C905178	C905178	C905178
C905179	C905179	C905179	C905179	C905179
C905180	C905180	C905180	C905180	C905180
C905392	C905392	C905392	C905392	C905392
C905338	C905338	C905338	C905338	C905338
C905337	C905337	C905337	C905337	C905337
C905327	C905327	C905327	C905327	C905327
C905328	C905328	C905328	C905328	C905328
C905329	C905329	C905329	C905329	C905329
C905330	C905330	C905330	C905330	C905330
C905331	C905331	C905331	C905331	C905331
C905332	C905332	C905332	C905332	C905332
C905333	C905333	C905333	C905333	C905333
C905334	C905334	C905334	C905334	C905334
C905335	C905335	C905335	C905335	C905335
C905336	C905336	C905336	C905336	C905336
C905411	C905411	C905411	C905411	C905411

Matrix Trunk Positioning Options

- Matrix MiniFlex Abdominal Support - XS (4.5" high x 13.5" to 19" long)³
- Matrix MiniFlex Abdominal Support - S (6" high x 13.5" to 19" long)³
- Matrix PostureFlex - M (6.5" high x 16" to 23" long)³
- Matrix E2 Fixed Laterals (pr) - 6.5" high x 5" deep compatible with E2S back³
- Matrix Mini Fixed Laterals (ea) - 4.5" high x 3" deep compatible with Mini back³
- Matrix Mini Swingaway Lateral with X Small pad (ea)³
- Matrix Mini Swingaway Lateral with Small pad (ea)³
- Matrix E2 Swingaway Lateral with Med pad (ea)³
- Matrix E2 Swingaway Lateral with Large pad (ea)³
- Matrix Mini Chest Harness Interface Bracket³ (Bracket only, Harness not included)
- Matrix E2 Chest Harness Int. Fits 14" and 15" wide E2 backs³
- Matrix E2 Chest Harness Int. Fits 16" wide E2 backs³
- E2 Backbone PSIS/Lumbar Support³

³Must be ordered with Matrix Back Support option.

Price

- \$242
- \$242
- \$321
- \$380
- \$111
- \$439
- \$439
- \$439
- \$439
- \$98
- \$98
- \$98
- \$72

FL12	FL13	FL14	FL15	FL16
CMINIFLEX-XS	CMINIFLEX-XS	CMINIFLEX-XS		
CMINIFLEX-S	CMINIFLEX-S	CMINIFLEX-S		
CE2FL	CE2FL	CE2FL	CE2FL	CE2FL
CMINILAT	CMINILAT	CMINILAT	CMINILAT	CMINILAT
CSAHMINI-XS	CSAHMINI-XS	CSAHMINI-XS	CSAHMINI-XS	CSAHMINI-XS
CSAHMINI-S	CSAHMINI-S	CSAHMINI-S	CSAHMINI-S	CSAHMINI-S
CSAHEB-M	CSAHEB-M	CSAHEB-M	CSAHEB-M	CSAHEB-M
CSAHEB-L	CSAHEB-L	CSAHEB-L	CSAHEB-L	CSAHEB-L
CCHIMB	CCHIMB	CCHIMB		
CE2CHI-S	CE2CHI-S	CE2CHI-S		
CE2BKB	CE2BKB	CE2BKB		

Pelvic Positioning

2-Point Pelvic Positioning Belt

4-Point Pelvic Positioning Belt by R82 (Camlock Kit and Seat Pan Required)

- Hip Width: 6.75" - 12.5" (Size XS)
- Hip Width: 8.25" - 13.75" (Size S)
- Hip Width: 9.75" - 16.25" (Size M)
- Hip Width: 12.5" - 17.25" (Size L)
- Hip Width: 16.25" - 20.5" (Size XL)
- Camlock Kit for 4-Point Belt

Left Width, Height Adj. Lateral Pelvic Support (Hip Guide)

- Small - H: 4.5" - 5.5"
- Large - H: 5.25" - 6.25"

Right Width, Height Adj. Lateral Pelvic Support (Hip Guide)

- Small - H: 4.5" - 5.5"
- Large - H: 5.25" - 6.25"

Medial Thigh Support

- Medium (2.6" front width, 4.1" depth, 2" back width, 2.7" height)
- Large (3.3" front width, 5" depth, 2.3" back width, 2.9" height)
- X-Large (4" front width, 6" depth, 3" back width, 3" height)

***Height is reduced by 2" when used with Cushion.**

Price

- \$61
- \$183
- \$183
- \$183
- \$183
- \$183
- N/C
- \$164
- \$164
- \$164
- \$164
- \$221
- \$221
- \$221

FL12	FL13	FL14	FL15	FL16
C903931	C903931	C903931	C904559	C904559
C905148	C905148	C905148	C905148	C905148
C905149	C905149	C905149	C905149	C905149
C905150	C905150	C905150	C905150	C905150
C905151	C905151	C905151	C905151	C905151
C905475	C905475	C905475	C905475	C905475
C905393	C905393	C905393	C905393	C905393
C905320	C905320	C905320	C905320	C905320
C905322	C905322	C905322	C905322	C905322
C905321	C905321	C905321	C905321	C905321
C905323	C905323	C905323	C905323	C905323
C905389	C905389	C905389	C905389	C905389
C905390	C905390	C905390	C905390	C905390
C905391	C905391	C905391	C905391	C905391

Foot & Leg Positioning

Front Riggings (Footplates attach to the Front Riggings)	Price
<input type="checkbox"/> 65° Removable Front Riggings - Short (5" - 11" Seat Pan to Footrest Height)	N/C
<input type="checkbox"/> 65° Removable Front Riggings - Long (5" - 13" Seat Pan to Footrest Height)	N/C
<input type="checkbox"/> 90° Removable Front Riggings - (5.7" - 11" Seat Pan to Footrest Height)	N/C
<input type="checkbox"/> Angle Adjustable Elevating Leg Rest (ELR) - Pair ***	\$341
<input type="checkbox"/> Legrest Extension +2** - Pair (ELR Required)	\$75
<input type="checkbox"/> Padded Elevating Legrest Cover (Pair)	\$21
Footplates	
<input type="checkbox"/> One-Piece Angle Adjustable Footplates (Flip Up and Reversible) (ELR Required)	\$151
<input type="checkbox"/> One-Piece Fixed Angle Footplates (Flip-up and Reversible Footplate) (ELR Required)	N/C
<input type="checkbox"/> Individual Angle Adjustable Footplates - Pair (Compatible with std fixed front riggings or ELR)	\$244
Foot Positioners (Pair)	
<input type="checkbox"/> Small 7" - 10"	\$215
<input type="checkbox"/> Medium 8" - 11"	\$215
<input type="checkbox"/> Large 9" - 12"	\$215
Theraphin Shoe Holders w/Padded Straps (Pair)	
<input type="checkbox"/> Small	\$256
<input type="checkbox"/> Medium	\$256
<input type="checkbox"/> Fully Padded Footbox (one-piece footplate required)	\$444
<input type="checkbox"/> Calf Panel	\$83

FL12	FL13	FL14	FL15	FL16
C905466	C905466	C905466	C905466	C905466
C905465	C905465	C905465	C905465	C905465
C905467	C905467	C905467	C905467	C905467
C905077	C905077	C905078	C905078	C905136
C904095	C904095	C904096	C904096	C904097
C904619	C904619	C904619	C904619	C904619
C905160	C905161	C905162	C905163	C905164
C905072	C905073	C905074	C905075	C905076
C905165	C905165	C905166	C905166	C905166
C903415	C903415	C903415	C903415	C903415
C903416	C903416	C903416	C903416	C903416
C903417	C903417	C903417	C903417	C903417
C904679	C904679	C904679	C904679	C904679
C904680	C904680	C904680	C904680	C904680
C904954	C904954	C904955	C904955	C904956
C904580	C904580	C904580	C904580	C904580

*2" Legrest Extension interferes with caster swivel when seat is in upright position. Seat must be tilted back at least 5° OR Legrests must be elevated to allow caster swivel.
 **Seat to footplate range varies from 5.25" - 18" depending on chair size.
 ***Recommended for full recline.

Accessories

Headrest Cover Options (Canopy)	Price
<input type="checkbox"/> Headrest Cover (Canopy) ⁹	\$303
<input type="checkbox"/> Extended Headrest Cover - No Windows (Canopy) ⁹	\$342
<input type="checkbox"/> Extended Headrest Cover - with Windows (Canopy) ⁹	\$404
<input type="checkbox"/> IV Pole (height adjustable and collapsible) ¹⁰	\$205
<input type="checkbox"/> Upper Extremity Support Tray (Removable Armrests) Size 1	\$218
<input type="checkbox"/> Upper Extremity Support Tray (Removable Armrests) Size 2	\$218
<input type="checkbox"/> Upper Extremity Support Tray (Removable Armrests) Size 3	\$218
<input type="checkbox"/> Adj. Removable Hardware (Required for Clear Tray) (Removable Armrests)	\$252

FL12	FL13	FL14	FL15	FL16
C902679	C902679	C902659	C902659	C903152
C904729	C904729	C904730	C904730	C904731
C904745	C904745	C904746	C904746	C904747
C904566	C904566	C904566	C904566	C904566
C905398	C905398	C905398	C905399	C905399
C905399	C905399	C905399	C905399	C905399
C905400	C905400	C905400	C905400	C905400
C905401	C905401	C905401	C905401	C905401

**Cannot be used during transit.
 ^Armrests required for sizes 12, 13, and 14. Armrest is standard on sizes 15 & 16.
 ^^Required with medium or tall back canes.
 9IV Pole & Canopy Cannot be used simultaneously.
 *Requires Rear Anti-Tip Tubes.

Frame Colors

<input type="checkbox"/> Cherry Red	Price
<input type="checkbox"/> Royal Blue	N/C
<input type="checkbox"/> Cosmic Silver	N/C
<input type="checkbox"/> Plum Purple	N/C

FL12	FL13	FL14	FL15	FL16
C905133	C905133	C905133	C905133	C905133
C905134	C905134	C905134	C905134	C905134
C905135	C905135	C905135	C905135	C905135
C905461	C905461	C905461	C905461	C905461

Tire Selection

<input type="checkbox"/> 11.5" Rear Tire, 6" x 2" Front Caster (15" Front Seat to Floor Height)	Price
Select One:	N/C
<input type="checkbox"/> 11.5" Rear Fixed Wheels	N/C
<input type="checkbox"/> 11.5" Quick Release Rear Wheels	N/C
<input type="checkbox"/> 16" Rear Tire, 7.5" x 2" Front Caster (17" Front Seat to Floor Height)	N/C
Select One:	N/C
<input type="checkbox"/> 16" Rear Fixed Wheels	N/C
<input type="checkbox"/> 16" Quick Release Rear Wheels	N/C

FL12	FL13	FL14	FL15	FL16
C905303	C905304	C905305	C905306	C905307
C905384	C905384	C905384	C905384	C905384
C905387	C905387	C905387	C905387	C905387
C905059	C905060	C905061	C905062	C905063
C905385	C905385	C905385	C905385	C905385
C905388	C905388	C905388	C905388	C905388

Transit Options

<input type="checkbox"/> Q'Straint Transit Lap Belt	Price
<input type="checkbox"/> Sure-Lok Transit Lap Belt	\$123

FL12	FL13	FL14	FL15	FL16
C903094	C903094	C903094	C903094	C903094
C903232	C903232	C903232	C903232	C903232

Medical Support Accessories

<input type="checkbox"/> O2 Tank Holder*	Price
<input type="checkbox"/> LTV Ventilator Holder	\$239
<input type="checkbox"/> Ventilator/Suction/Hard Tray (H:2.6", L: 13.1", W: Seat Width+1.4")	\$615
<input type="checkbox"/> Medical Necessity Storage Basket	\$615
<input type="checkbox"/> Caster Locks (Manufacturer Installation Required) (ELR recommended to avoid caster & front rigging interference)	\$403
<input type="checkbox"/> Curb Tipper	\$128
<input type="checkbox"/> Rear Anti-Tip Tubes	\$133
<input type="checkbox"/> Under Seat Storage Basket	\$158
<input type="checkbox"/> Under Seat Storage Basket	\$164

FL12	FL13	FL14	FL15	FL16
C905070	C905070	C905070	C905070	C905070
C905071	C905071	C905071	C905071	C905071
C905079	C905079	C905079	C905079	C905079
C905274	C905274	C905275	C905275	C905275
C904650	C904650	C904650	C904650	C904650
C905365	C905365	C905365	C905365	C905365
C905069	C905069	C905069	C905069	C905069
C905195	C905195	C905196	C905196	C905196

***The Flyer Transit option includes four manufacturer installed black wheelchair transportation anchors. The Flyer Transit model has been crash tested and conforms to RESNA WC19 standards.

The Convoid Flyer Mobility Base was tested with the Flyer Seating Module equipped with a head support and wheelchair anchored pelvic lap belt. The performance and safety of accessories and/or other seating options not tested by Convoid is unknown, and no warranty or claim about their performance is or can being made.

Transit and Non Transit weight capacity: Back Cane Position 1: 85 lbs/39 kg and Back Cane Position 2-4: 170 lbs/77 kg.

Furthermore, when being transported in a vehicle it is Convoid's position that the wheelchair user transfer from the wheelchair into appropriate vehicle seating during transportation. Please note that at this time, the Department of Transportation has not officially approved any tie-down system for a user while in a wheelchair, therefore Convoid cannot recommend a transit system.

For more information on RESNA WC-19 and WC-20 standards please visit <http://www.ercwts.pitt.edu/WC19.html>.

HCPCS codes are provided for your convenience and are NOT to be considered billing or legal advice. Providers are responsible for insuring that appropriate billing codes are used when submitting claims. Proper use of HCPCS codes does not insure coverage or payment. Contact the appropriate payer for coverage information.

Standard Domestic Shipping Rate: \$40 • For expedited shipping rates, please call 1-844-876-6245 or email convoidsales.us@etac.com

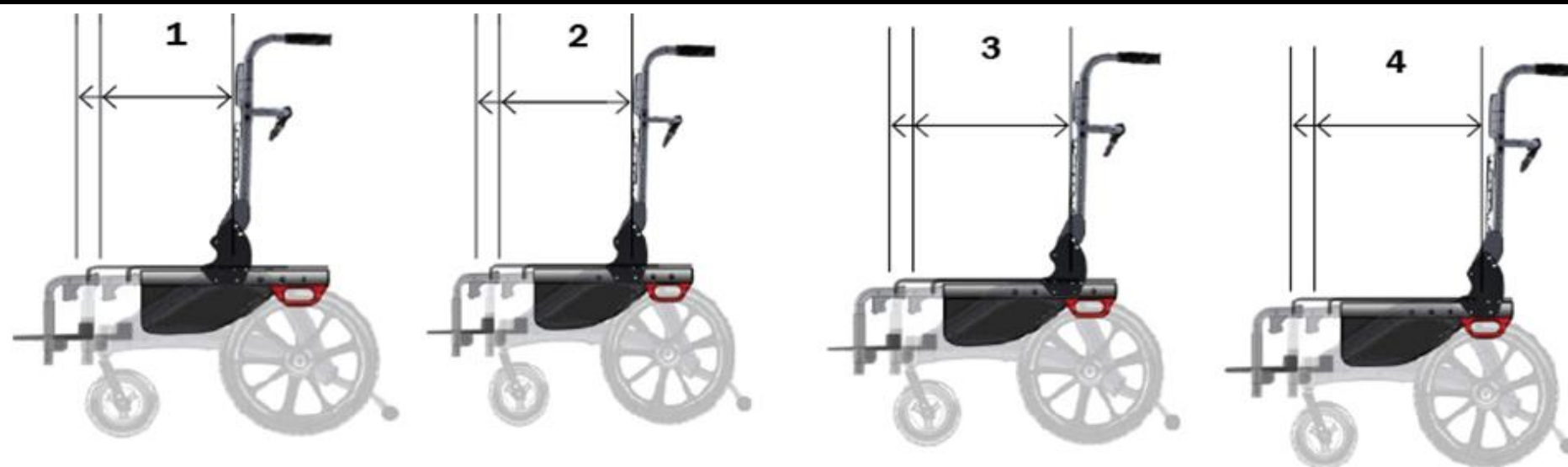
Prices in USD & subject to change, ex works Torrance, California.

Effective: 7/18/2022

Convoid
 2830 California Street
 Torrance, CA 90503
 1 844-US-MOBILITY (844-876-6245)
www.etac.us.com



Seat Depth Adjustable Positions:



Position Option	1	2	3	4
Seating System Seat Depth Adjustment Range				
Back Canes	11" – 15"	13" – 17"	15" – 19"	17" – 21"
Solid Back*	9.5" – 13.5"	11.5" 15.5"	13.5" – 17.5"	15.5" – 19.5"

*Seat Depth is reduced by 1 1/2" when used with solid back seating system

Footplate Dimensions:

Seat to Footplate Dimensions	Mounting	12" Flyer	13" Flyer	14" Flyer	15" Flyer	16" Flyer
One-Piece Angle Adjustable Footplates	Flip-Up	9in-14in	9in-14in	11in-16in	11in-16in	13in-18in
	Reversible	5.25in-11.25in	5.25in-11.25in	7.25in-13.25in	7.25in-13.25in	9.25in-15.25in
One-Piece Fixed Angle Footplates	Flip-Up	9in-14in	9in-14in	11in-16in	11in-16in	13in-18in
	Reversible	5.25in-11.25in	5.25in-11.25in	7.25in-13.25in	7.25in-13.25in	9.25in-15.25in
Individual Angle Adjustable Footplates - Pair	Flip-Up	7in-13in	7in-13in	9.5in-15.5in	9.5in-15.5in	12in-18in
	Reversible	4.5in-9.25in	4.25in-11in	4.25in-11in	4.25-11in	7.25in-13.25in

Height Adjustable Removable Armrest Length:

Recommended Height Adjustable Removable Armrest Length per Seat Depth Position				
	Seat Depth Position 1	Seat Depth Position 2	Seat Depth Position 3	Seat Depth Position 4
Height Adjustable Removable Armrest - Short 9.00" Length	●	●		
Height Adjustable Removable Armrest - Short 9.00" Length			●	●