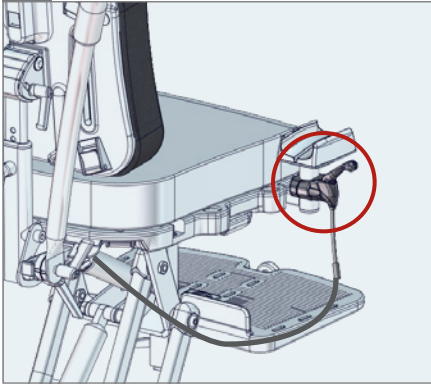
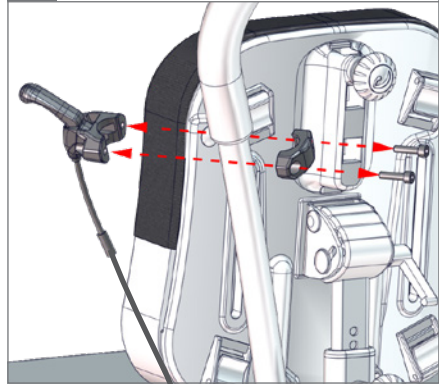


Tilt lever



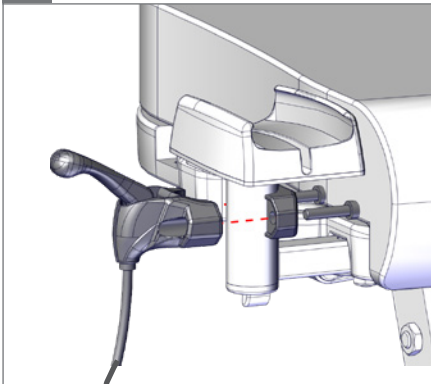
1.

○ 4 mm



2.

○ 4 mm



⚠ 02



Risk of loss of balance for the user when using the tilt function. The seat must only be tilted in a controlled manner.

02

