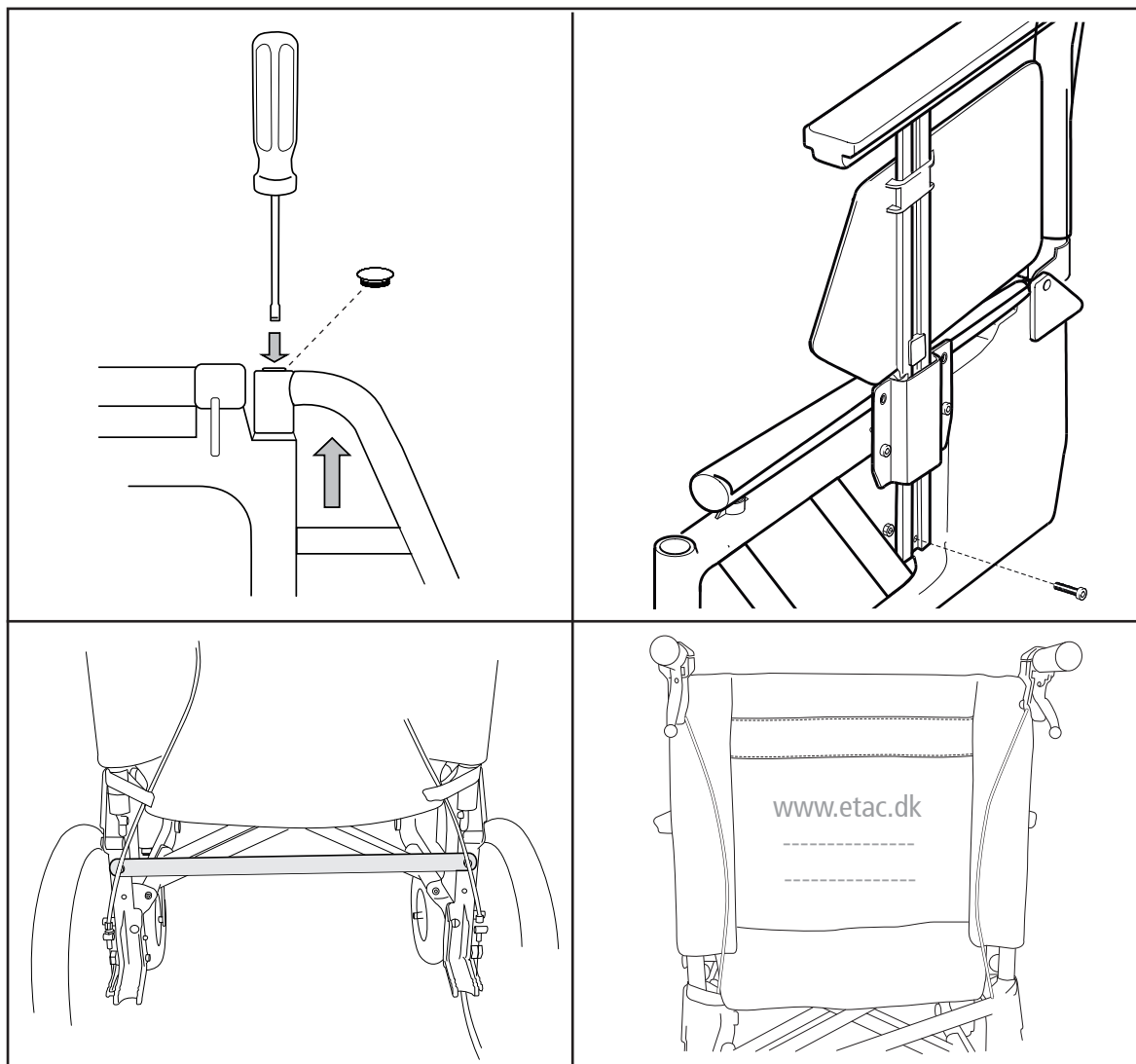


# Transit Institution

Benstöd / Armstöd / Stag / Ryggklädsel



74599B

13-01-10

Etac, Box 203, SE-334 24 Anderstorp

Tel. +46/371-58 73 00, Fax. +46/371-58 73 90

[www.etac.com](http://www.etac.com)