

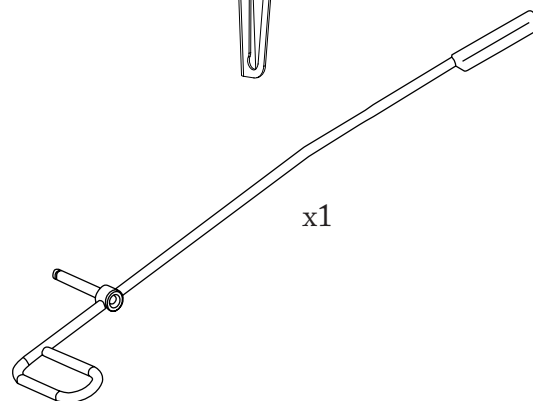
25970-1, 25970-2

Brukarbroms 16" Transit III
User brake 16" Transit III
Rollstuhlfahrer Brems 16" Transit III

c x1



x1



x1

