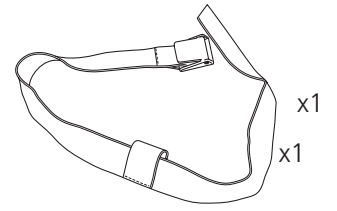




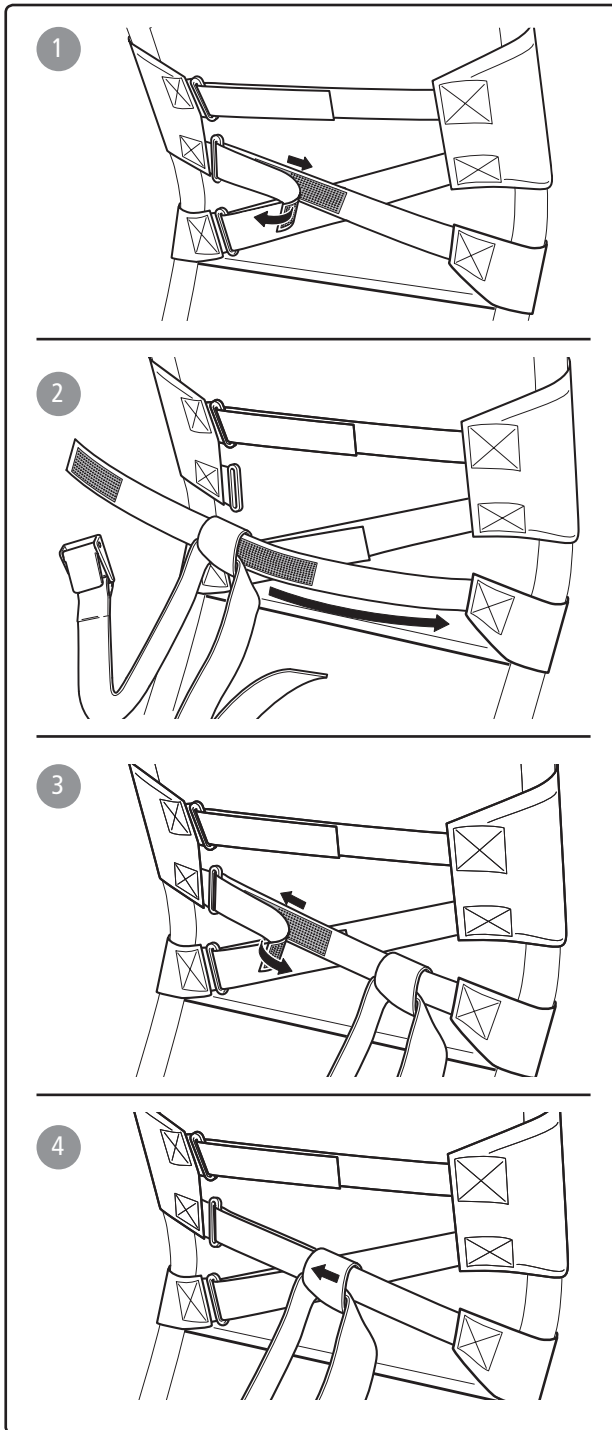
8020 9442



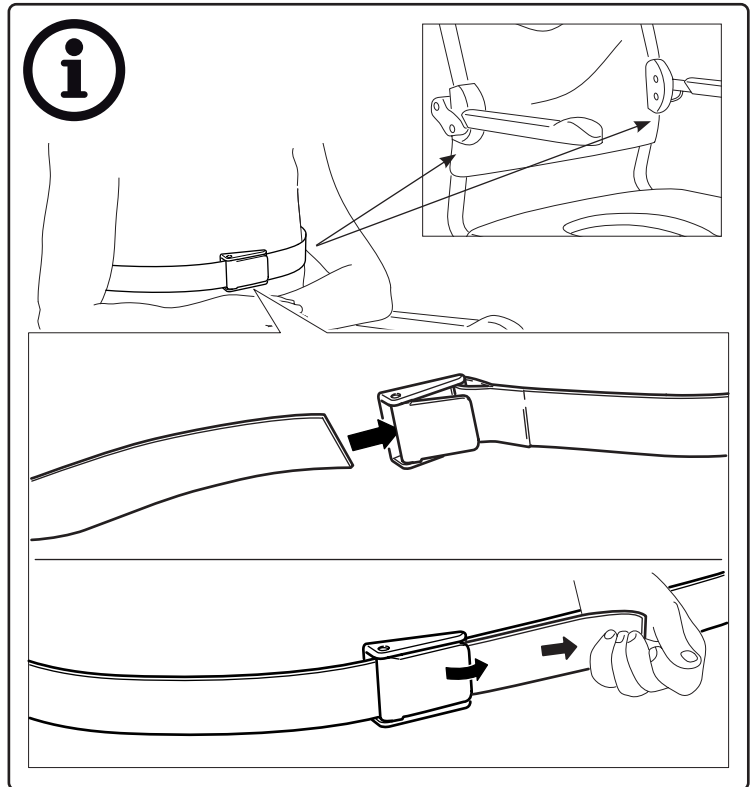
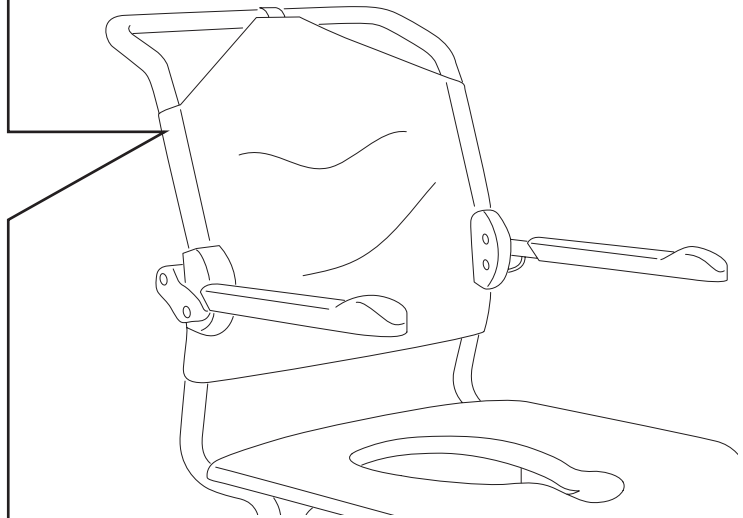
Brösthälsa Swift Mobil / Clean  
Chest belt Swift Mobile / Clean  
Brustgurt Swift Mobil / Clean

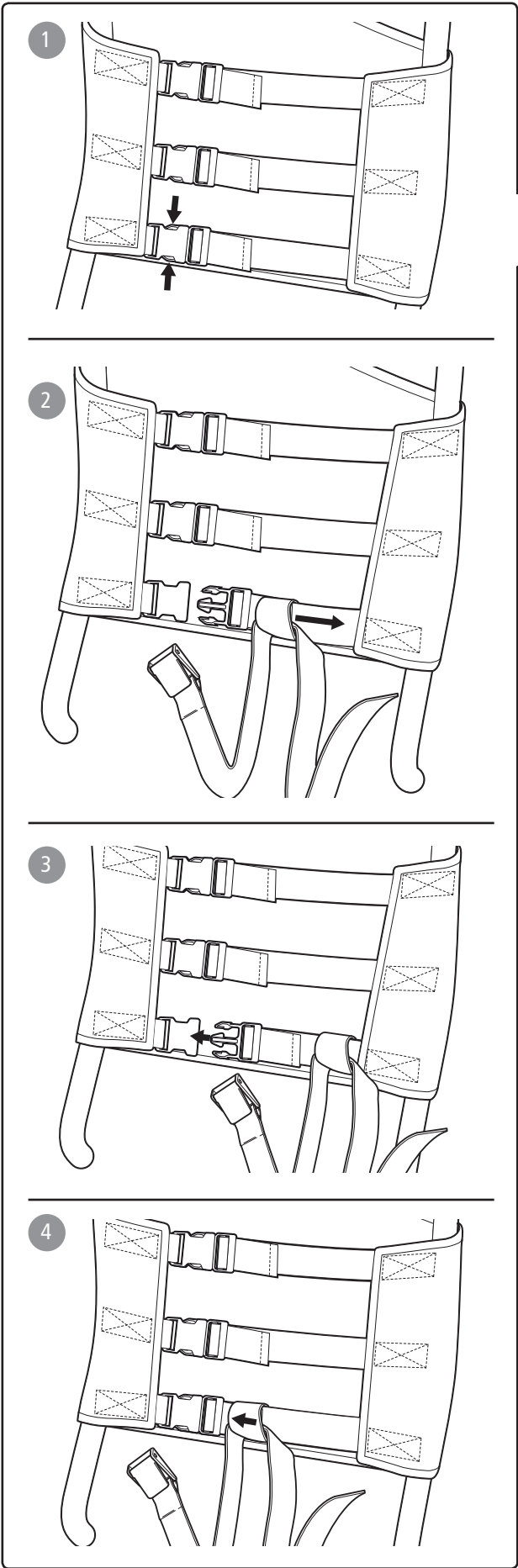


78453A 2022-05-13



Swift Mobil





Clean

