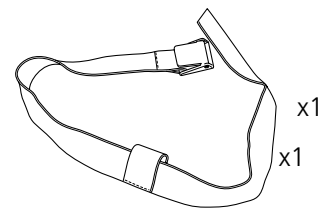


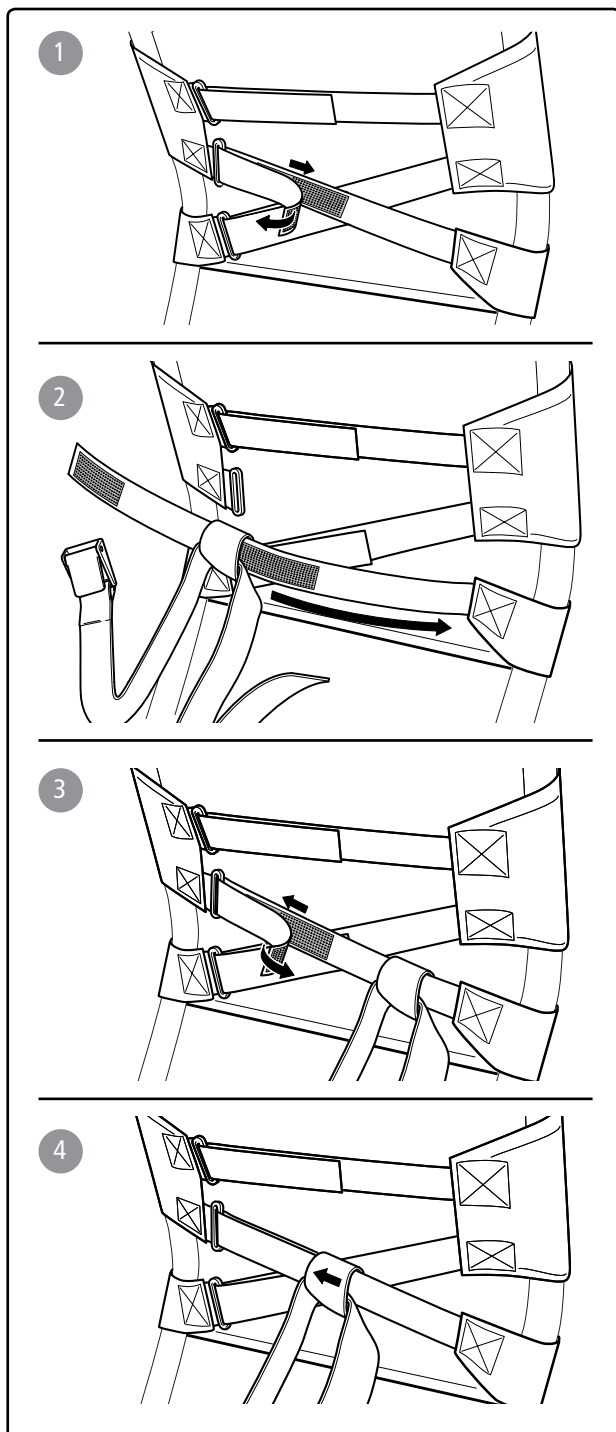
REF 8020 9442

etac[®]

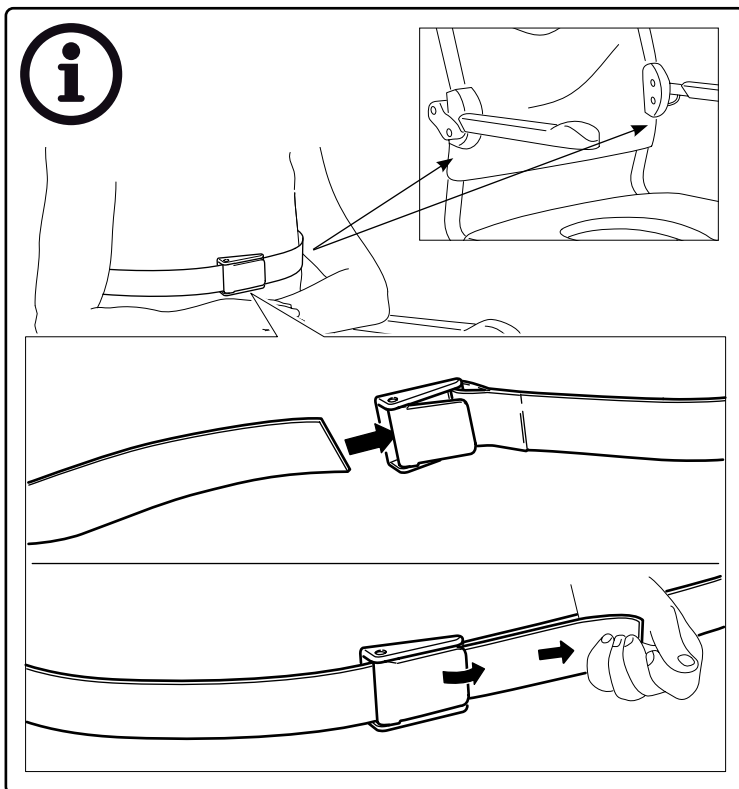
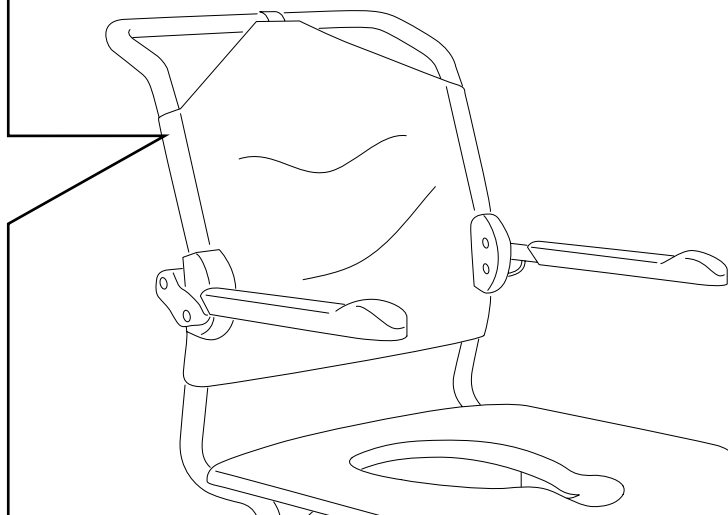
Brösthälsa Swift Mobil / Clean
Chest belt Swift Mobile / Clean
Brustgurt Swift Mobil / Clean



78453.6 2022-08-09



Swift Mobil



Clean

