

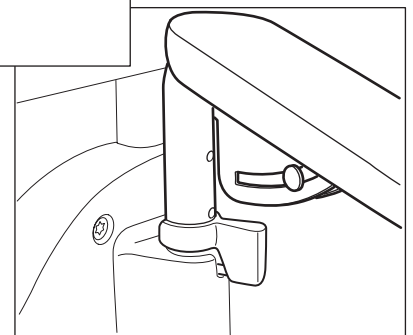
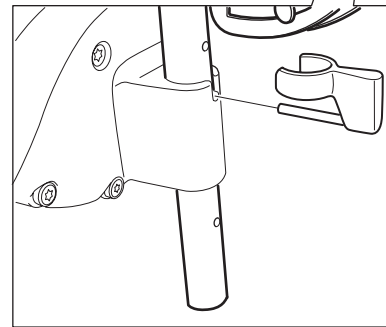
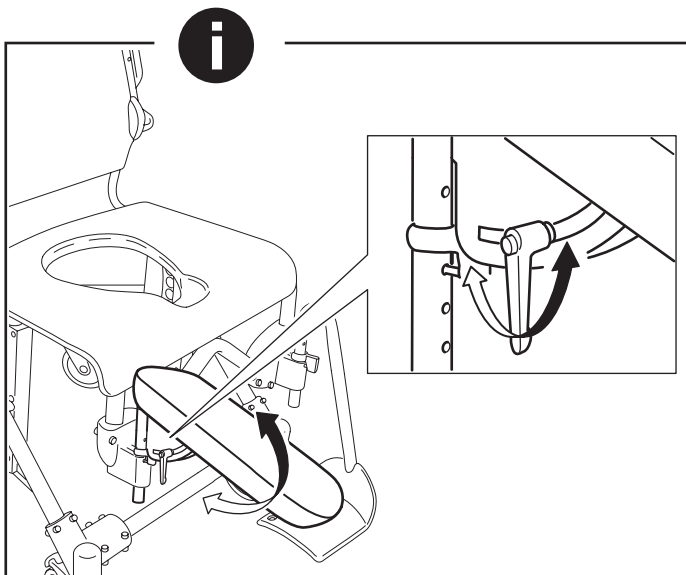
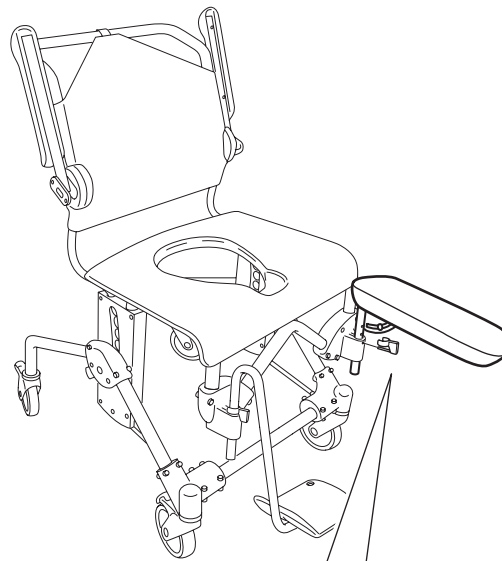
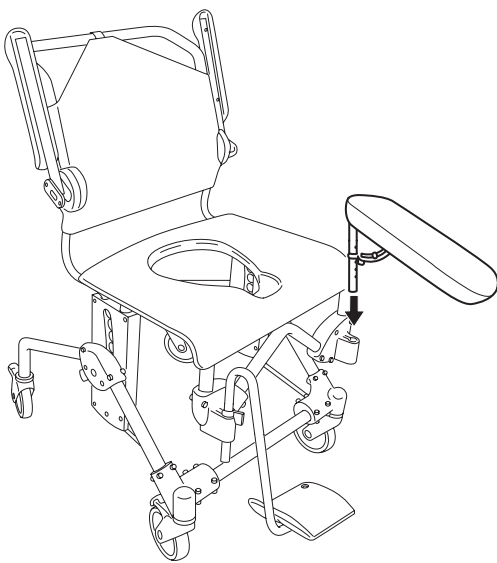
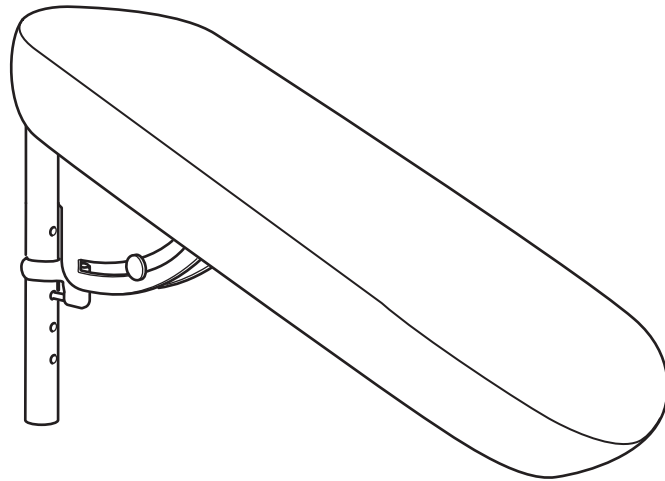
8020 9437

Benstöd VRB Swift Mobil

Leg- and calf rest, angle variable Swift Mobil

Bein- und Wadenstutze, Winkeljustierbar

Swift Mobil



78448A

08-12-05

Etac AB, Box 203, SE-334 24 Anderstorp

Tel. +46/371-58 73 00, Fax. +46/371-58 73 90

www.etac.com