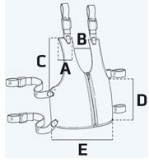


Description	Measurements	Size	Part No.	USD Price	HCPCS
-------------	--------------	------	----------	-----------	-------

☐ XX = 40 (Net) ■ XX = 60 (Black)



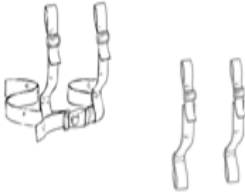
☐ Vest (Ea.)	1¼" x 2½" x 5½" x 3½" x	0	89111-0XX	\$205	E0960
☐ Vest (Ea.)	1¼" x 2½" x 5¾" x 4¼" x	¾	89111-075XX	\$205	E0960
☐ Vest (Ea.)	2¼" x 2½" x 7" x 5" x 13½"	1	89111-1XX	\$205	E0960
☐ Vest (Ea.)	2½" x 3½" x 9¼" x 5½" x	2	89111-2XX	\$205	E0960
☐ Vest (Ea.)	2¾" x 4¾" x 11 x 5¾" x 1	3	89111-3XX	\$205	E0960
☐ Vest (Ea.)	2¾" x 6¾" x 13¾" x 7½" x	4	89111-4XX	\$205	E0960



☐ Chest Belt, Upholstered (Ea.)		1	85428-1	\$277	E0960
☐ Chest Belt, Upholstered (Ea.)		2	85428-2	\$277	E0960
☐ Chest Belt, Upholstered (Ea.)		3	85428-3	\$277	E0960
☐ Chest Belt, Upholstered (Ea.)		4	85428-4	\$277	E0960

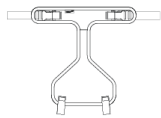


☐ Sternum Belt (Ea.)	9¼ x 6¾ x 2¾"	0	85430-0	\$333	E0960
☐ Sternum Belt (Ea.)	14 x 2¼ x 2¼"	1	85430-1	\$333	E0960
☐ Sternum Belt (Ea.)	18 x 2¼ x 2½"	2	85430-2	\$333	E0960

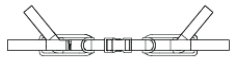


☐ H-belt with two piece strap - (89663-H and 89661-4P)		1-4	89663-4P	\$111	E0960
☐ H-belt with one piece strap - (89663-H and 85100)		One Size	85105	\$62	E0960
☐ Shoulder straps		1-4	89663-H	\$99	E0960

Hip/Pelvis	Description	Measurements	Size	Part No.	USD Price	HCPCS
------------	-------------	--------------	------	----------	-----------	-------



☐ Pelvis belt	H-H: 6¼–7¾"	XS	85735-XS	\$251	E0978
☐ Pelvis belt	H-H: 7¾–9½"	S	85735-S	\$251	E0978
☐ Pelvis belt	H-H: 9½–11"	M	85735-M	\$251	E0978



4-Point Padded Hip Belt, 1"	H-H: 6¾–12½"	XS	85725-XS	\$138	E0978
4-Point Padded Hip Belt, 1"	H-H: 8¼–13¾"	S	85725-S	\$138	E0978
4-Point Padded Hip Belt, 1"	H-H: 9¾–16¼"	M	85725-M	\$138	E0978
4-Point Padded Hip Belt, 1"	H-H: 12½–17¼"	L	85725-L	\$138	E0978
4-Point Padded Hip Belt, 1"	H-H: 16¼–20½"	XL	85725-XL	\$138	E0978



☐ 4-Point Padded Hip Belt, 1½"	10¼-11½ x 21½"	3	85427-340	\$138	E0978
☐ 4-Point Padded Hip Belt, 1½"	12½-13½ x 21½ x 19½"	4	85427-440	\$138	E0978






Trochanter Y-hip belt, upholstered		1	85427-1T	\$138	E0978
Trochanter Y-hip belt, upholstered		2	85427-2T	\$138	E0978
Trochanter Y-hip belt, upholstered		3	85427-3T	\$138	E0978
Trochanter Y-hip belt, upholstered		4	85427-4T	\$138	E0978

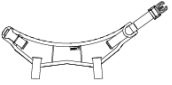





☐ Pelvic Harness (Ea.)	6¾ x 13¾"	Xsmall	89108-0	\$251	E0978
☐ Pelvic Harness (Ea.)	8½ x 12½"	Small	89108-1	\$251	E0978
☐ Pelvic Harness (Ea.)	10½ x 16¾"	Large	89108-2	\$251	E0978
☐ Pelvic Harness (Ea.)		Xlarge	89108-3	\$251	E0978







☐ Combination harness – (89114-1 and 85427-1)		1	89114-127	\$234	E0978
☐ Combination harness – (89114-2 and 85427-2)		2	89114-227	\$234	E0978

	Description	Measurements	Size	Part No.	USD Price	HCPCS
	<input type="checkbox"/> Neoprene Hip Belt, 1" (Ea.)	10½ x 2¼ x 18"	1	85423-1	\$99	E0978
	<input type="checkbox"/> Neoprene Hip Belt, 1" (Ea.)	12 x 3 x 18"	2	85423-2	\$99	E0978
	<input type="checkbox"/> Neoprene Hip Belt, 1" (Ea.)		3	85423-3	\$112	E0978
	<input type="checkbox"/> Belt, with snap lock		2	89101-2	\$84	
	<input type="checkbox"/> Belt, with side release buckle		2	89101-2P	\$84	
	<input type="checkbox"/> Belt, with snap lock		3	89101-3	\$84	
	<input type="checkbox"/> Belt, with side release buckle		3	89101-3P	\$81	
	<input type="checkbox"/> Belt, with snap lock		4	89101-4	\$84	
	<input type="checkbox"/> Lap/chest strap, with snap lock, two piece		1 - 4	89661-4	\$78	
	<input type="checkbox"/> Lap/chest strap, with side release buckle, two piece		1 - 4	89661-4P	\$78	
	<input type="checkbox"/> Thorax/pelvis strap, one piece		One Size	85100	\$31	

Foot	Description	Measurements	Size	Part No.	USD Price	HCPCS
	<input type="checkbox"/> Ankle straps	C: 6¼–9"	XS	85745-XS	\$190	
	<input type="checkbox"/> Ankle straps	C: 9–12¼"	M	85745-M	\$190	
	<input type="checkbox"/> Ankle straps	C: 11½–15"	XL	85745-XL	\$190	
	<input type="checkbox"/> Neoprene sandals, set		S	85696-1	\$133	
	<input type="checkbox"/> Footstraps with fix lock		One Size	85096	\$38	
	<input type="checkbox"/> Footstraps with velcro		One Size	85102	\$53	

Hand	Description	Measurements	Size	Part No.	USD Price	HCPCS
	<input type="checkbox"/> Hand wrist cuff		1	85425-1	\$84	
	<input type="checkbox"/> Hand wrist cuff		2	85425-2	\$84	
	<input type="checkbox"/> Hand wrist cuff		3	85425-3	\$84	
	<input type="checkbox"/> Hand wrist cuff		4	85425-4	\$84	

Hand	Description	Measurements	Size	Part No.	USD Price	HCPCS
	<input type="checkbox"/> Thermo bag, black		small	87460-170	\$507	
	<input type="checkbox"/> Thermo bag, black		medium	87460-270	\$507	
	<input type="checkbox"/> Thermo bag, black		large	87460-370	\$651	
	<input type="checkbox"/> Thermo bag, black		x-large	87460-460	\$671	
	<input type="checkbox"/> Thermo bag, black		xx-large	87460-560	\$712	
	<input type="checkbox"/> Rain cape with hood		4	87465-410	\$144	
	<input type="checkbox"/> Rain cape with hood		5	87465-510	\$144	

Spare Parts	Description	Measurements	Size	Part No.	USD Price	HCPCS
	<input type="checkbox"/> Fix-Locks, Black, Bag of 4 Pcs**		One Size	890505-37	\$43	
	<input type="checkbox"/> Fix-Locks, Black, Bag of 6 Pcs for Cross Vest **		One Size	890505-38	\$57	
	<input type="checkbox"/> Fix-Locks, White, Bag of 4 Pcs**		One Size	890505-36	\$43	
**Required for use of Vests						
	<input type="checkbox"/> Replacement Strap for Vest, White		One Size	89625-36	\$12	
	<input type="checkbox"/> Replacement Strap for Torso and Cross Vests, Black		One Size	89625-37	\$12	
	<input type="checkbox"/> Replacement Strap for Pelvis Belt, Black		One Size	89625-38	\$12	

HCPCS codes are provided for your convenience and are NOT to be considered billing or legal advice. Providers are responsible for insuring that all appropriate billing codes are used when submitting claims. Proper use of HCPCS codes does not insure coverage or payment. Contact the appropriate payer for coverage information.

Prices in USD & is subject to change without notice

For Quotes and Orders please send completed Order Form to: sales.us@etac.com or fax: 1-800-760-0537

OF7800-ENG-REV.01

Etac
13137 Bleinheim Lane
Matthews, North Carolina 28105
+1 844-US-MOBILITY (844-876-6245)
www.etac.us.com


Creating Possibilities