

Convoid Flyer - ADP WM0001820

Canadian Retail Price List / Order Form

Account #: _____

Purchase Order #: _____ Date: _____

Contact: _____

Mark For: _____

| | |
|-----------------|-----------------|
| Bill To: | Ship To: |
| Address: | Address: |
| City/State/Zip: | |
| Phone: | City/State/Zip: |
| Email: | Phone: |

Flyer Base Standard Features:

- CG Tilt-in-Space (-5° to +40°)
- 30° back angle adjustment (80° to 110°)
- Quick Release Rear Wheels
- Single Foot Activated Wheel Lock
- HCPCS code E1161 is only valid on chairs 15" or greater
- Removable Front Riggings with Fixed Angled Footplate (Choose Option Below)
- Flip-up armrests - Long (Standard on FL15 and FL16)
- Choice of 3 Mobility Base colors
- One Piece Push Handle
- Choice of three back cane heights
- Made in the USA

Standard Models:

- Flyer FL12ADP - 905440
- Flyer FL13ADP - 905441
- Flyer FL14ADP - 905442
- Flyer FL15ADP - 905443
- Flyer FL16ADP - 905444

Price

- \$3,823
- \$3,823
- \$3,823
- \$3,823
- \$3,823

All prices in CAD

Frame Colors

- Cherry Red
- Royal Blue
- Cosmic Silver
- Plum Purple

Price

- N/C
- N/C
- N/C
- N/C

| FL12 | FL13 | FL14 | FL15 | FL16 |
|--------|--------|--------|--------|--------|
| 905133 | 905133 | 905133 | 905133 | 905133 |
| 905134 | 905134 | 905134 | 905134 | 905134 |
| 905135 | 905135 | 905135 | 905135 | 905135 |
| 905461 | 905461 | 905461 | 905461 | 905461 |

Tire Selection

- 11.5" Rear Tire, 6" x 2" Front Caster (15" Front Seat to Floor Height)
Select One:
 - 11.5" Rear Fixed Wheels
 - 11.5" Quick Release Rear Wheels
- 16" Rear Tire, 7.5" x 2" Front Caster (17" Front Seat to Floor Height)
Select One:
 - 16" Rear Fixed Wheels
 - 16" Quick Release Rear Wheels

Price

- N/C
- N/C
- N/C
- N/C
- N/C
- N/C

| FL12 | FL13 | FL14 | FL15 | FL16 |
|--------|--------|--------|--------|--------|
| 905303 | 905304 | 905305 | 905306 | 905307 |
| 905384 | 905384 | 905384 | 905384 | 905384 |
| 905387 | 905387 | 905387 | 905387 | 905387 |
| 905059 | 905060 | 905061 | 905062 | 905063 |
| 905385 | 905385 | 905385 | 905385 | 905385 |
| 905388 | 905388 | 905388 | 905388 | 905388 |

Push Handle Option

- One-Piece Height Adjustable Push Handle Option (+- 9" height adjustable from back canes height) (Select One):**
 - Outside Mount
 - Inside Mount

Price

- N/C
- N/C

| | | | | |
|--------|--------|--------|--------|--------|
| 905108 | 905109 | 905110 | 905111 | 905112 |
| 905098 | 905099 | 905100 | 905101 | 905102 |

Seat Depth Range Options (see chart on last page of order form)

- Position 1: 11"-15"
 - Position 2: 13"-17"
 - Position 3: 15"-19"
 - Position 4: 17"- 21"
- *Seat Depth is reduced by 1 1/2" when used with Solid Back System with Cushions and requires tools.

Price

- N/C
- N/C
- N/C
- N/C

| FL12 | FL13 | FL14 | FL15 | FL16 |
|--------|--------|--------|--------|--------|
| 905197 | 905197 | 905197 | 905197 | 905197 |
| 905198 | 905198 | 905198 | 905198 | 905198 |
| 905199 | 905199 | 905199 | 905199 | 905199 |
| 905200 | 905200 | 905200 | 905200 | 905200 |

Back Options

- Back Cane Fixed Heights* (7/8" diameter)- with Push Handles (Select One):**
 - Short: 19" - (Supports back height range: 13" - 19")*** (Cannot be used with IV Pole)
 - Medium: 22" - (Supports back height range 13" - 22")***
 - Tall: 25" - (Supports back height range 13" - 25")***
- Height Adjustable Back Pans (4 Pieces)
- Back Cushions & Cover (Includes Height Adjustable Back Pans) (13" - 25")****
- Cushion Accent Color (cushion is black, color is for piping along sides) Select One:**
 - Royal Blue
 - Forest Green
 - Cherry Red
 - Sassy Purple
 - Princess Pink
 - Panther Black
 - Chocolate Brown
 - Aqua Blue
 - Apple Green

Price

- N/C
- N/C
- N/C
- \$205
- \$716
- N/C
- N/C
- N/C
- N/C
- N/C
- N/C
- N/C
- N/C
- N/C
- N/C

| FL12 | FL13 | FL14 | FL15 | FL16 |
|--------|--------|--------|--------|--------|
| 905054 | 905054 | 905054 | 905054 | 905054 |
| 905055 | 905055 | 905055 | 905055 | 905055 |
| 905056 | 905056 | 905056 | 905056 | 905056 |
| 905058 | 905058 | 905058 | 905058 | 905058 |
| 905093 | 905094 | 905095 | 905096 | 905097 |
| 903850 | 903850 | 903850 | 903850 | 903850 |
| 903857 | 903857 | 903857 | 903857 | 903857 |
| 903855 | 903855 | 903855 | 903855 | 903855 |
| 903851 | 903851 | 903851 | 903851 | 903851 |
| 903759 | 903759 | 903759 | 903759 | 903759 |
| 903854 | 903854 | 903854 | 903854 | 903854 |
| 904189 | 904189 | 904189 | 904189 | 904189 |
| 904753 | 904753 | 904753 | 904753 | 904753 |
| 904754 | 904754 | 904754 | 904754 | 904754 |

***Measured from pan to push handle bend.

****Height Adjustable Solid Back System w/Back Cushion HCPCS code only applies to pediatric sizes 12, 13, and 14.

Matrx Back Support Options

- Matrx E2 (FLwidth x 10"h) Color Black Meshtex¹
 - Matrx E2 (FLwidth x 12h) Color Black Meshtex¹
 - Matrx E2 (FLwidth x 14"h) Color Black Meshtex¹
 - Matrx E2 (FLwidth x 16"h) Color Black Meshtex¹
 - Matrx E2 (FLwidth x 18"h) Color Black Meshtex¹
 - Matrx E2 (FLwidth x 20"h) Color Black Meshtex¹
- ¹Must be ordered with Back Canes Only option.

Price

- \$818
- \$818
- \$818
- \$818
- \$845
- \$845

| FL12 | FL13 | FL14 | FL15 | FL16 |
|------|------|---------|---------|---------|
| | | E2S1410 | E2S1510 | E2S1610 |
| | | E2S1412 | E2S1512 | E2S1612 |
| | | E2S1414 | E2S1514 | E2S1614 |
| | | E2S1416 | E2S1516 | E2S1616 |
| | | E2S1418 | E2S1518 | E2S1618 |
| | | E2S1420 | E2S1520 | E2S1620 |

Matrx Back Support Options - Deep

- Matrx E2 Deep (FLwidth x 10"h) Color Black Meshtex¹
- Matrx E2 Deep (FLwidth x 12"h) Color Black Meshtex¹
- Matrx E2 Deep (FLwidth x 14"h) Color Black Meshtex¹
- Matrx E2 Deep (FLwidth x 16"h) Color Black Meshtex¹
- Matrx E2 Deep (FLwidth x 18"h) Color Black Meshtex¹
- Matrx E2 Deep (FLwidth x 20"h) Color Black Meshtex¹

Price
\$989
\$989
\$989
\$989
\$1,015
\$1,015

| | | | |
|--|---------|---------|---------|
| | E2D1410 | E2D1510 | E2D1610 |
| | E2D1412 | E2D1512 | E2D1612 |
| | E2D1414 | E2D1514 | E2D1614 |
| | E2D1416 | E2D1516 | E2D1616 |
| | E2D1418 | E2D1518 | E2D1618 |
| | E2D1420 | E2D1520 | E2D1620 |

Matrx Back Support Options - Mini

- Matrx Mini ((FLwidth-1)"w x 7"h) Color Kidabra¹
- Matrx Mini ((FLwidth-1)"w x 10"h) Color Kidabra¹
- Matrx Mini ((FLwidth-1)"w x 12"h) Color Kidabra¹
- Matrx Mini ((FLwidth-1)"w x 14"h) Color Kidabra¹
- Matrx Mini ((FLwidth-1)"w x 7"h) Color Pink¹
- Matrx Mini ((FLwidth-1)"w x 10h) Color Pink¹
- Matrx Mini ((FLwidth-1)"w x 12"h) Color Pink¹
- Matrx Mini ((FLwidth-1)"w x 14"h) Color Pink¹
- Matrx Mini ((FLwidth-1)"w x 7"h) Color Blue¹
- Matrx Mini ((FLwidth-1)"w x 10"h) Color Blue¹
- Matrx Mini ((FLwidth-1)"w x 12"h) Color Blue¹
- Matrx Mini ((FLwidth-1)"w x 14"h) Color Blue¹
- Matrx Mini ((FLwidth-1)"w x 7"h) Color Black Startex¹
- Matrx Mini ((FLwidth-1)"w x 10"h) Color Black Startex¹
- Matrx Mini ((FLwidth-1)"w x 12"h) Color Black Startex¹
- Matrx Mini ((FLwidth-1)"w x 14"h) Color Black Startex¹

Price
\$818
\$818
\$818
\$818
\$818
\$818
\$818
\$818
\$818
\$818
\$818
\$818
\$818
\$818
\$818
\$818
\$818
\$818
\$818
\$818
\$818
\$818

| | | | | |
|------------|------------|------------|--|--|
| MINI1107-K | MINI1207-K | MINI1307-K | | |
| MINI1110-K | MINI1210-K | MINI1310-K | | |
| MINI1112-K | MINI1212-K | MINI1312-K | | |
| MINI1114-K | MINI1214-K | MINI1314-K | | |
| MINI1107-P | MINI1207-P | MINI1307-P | | |
| MINI1110-P | MINI1210-P | MINI1310-P | | |
| MINI1112-P | MINI1212-P | MINI1312-P | | |
| MINI1114-P | MINI1214-P | MINI1314-P | | |
| MINI1107-B | MINI1207-B | MINI1307-B | | |
| MINI1110-B | MINI1210-B | MINI1310-B | | |
| MINI1112-B | MINI1212-B | MINI1312-B | | |
| MINI1114-B | MINI1214-B | MINI1314-B | | |
| MINI1107-S | MINI1207-S | MINI1307-S | | |
| MINI1110-S | MINI1210-S | MINI1310-S | | |
| MINI1112-S | MINI1212-S | MINI1312-S | | |
| MINI1114-S | MINI1214-S | MINI1314-S | | |

Seat Options

- Select One:**
- Planar Seat Cushion (Includes Solid Seat Pan)** (Same Color as Selected Back Cushion)
 - Seat Pan: 12"-16" Width, 4" Depth Growth ^^
- **Planar Seat Cushion HCPCS code only applies to pediatric sizes 12, 13, and 14.
^^Needed when using other manufacturer's seat cushion.

Price
\$445
\$205

| FL12 | FL13 | FL14 | FL15 | FL16 |
|--------|--------|--------|--------|--------|
| 905083 | 905084 | 905085 | 905086 | 905087 |
| 905057 | 905057 | 905057 | 905057 | 905057 |

Matrx Back Support Options - Libra

- Matrx Libra ((FLwidth)"w x 12"d) Color Black Startex²
 - Matrx Libra ((FLwidth)"w x 14"d) Color Black Startex²
 - Matrx Libra ((FLwidth)"w x 16"d) Color Black Startex²
 - Matrx Libra ((FLwidth)"w x 18"d) Color Black Startex²
 - Matrx Libra ((FLwidth)"w x 20"d) Color Black Startex²
- ²Must be ordered with Seat Pan Only option

Price
\$635
\$635
\$635
\$635
\$635

| FL12 | FL13 | FL14 | FL15 | FL16 |
|------|------|--------|--------|--------|
| | | LC1412 | | |
| | | LC1414 | | |
| | | LC1416 | LC1516 | LC1616 |
| | | | LC1518 | LC1618 |
| | | | LC1520 | LC1620 |

Matrx Back Support Options - Vi

- Matrx Kidabra-Vi ((FL width)x12d Color Kidabra²
 - Matrx Kidabra-Vi ((FL width)x14d Color Kidabra²
 - Matrx-Vi ((FL width)x15d Color Black Meshtex²
 - Matrx-Vi ((FL width)x16d Color Black Meshtex²
 - Matrx-Vi ((FL width)x17d Color Black Meshtex²
 - Matrx-Vi ((FLwidth)x18d Color Black Meshtex²
 - Matrx-Vi ((FLwidth)x20d Color Black Meshtex²
- ²Must be ordered with Seat Pan Only option.

Price
\$556
\$556
\$556
\$556
\$556
\$556
\$556

| FL12 | FL13 | FL14 | FL15 | FL16 |
|-----------|------|-----------|-----------|-----------|
| KA1212-Vi | | KA1412-Vi | | |
| KA1214-Vi | | KA1414-Vi | | |
| | | MA1415-Vi | MA1616-Vi | MA1616-Vi |
| | | MA1417-Vi | | |
| | | | MA1618-Vi | MA1618-Vi |
| | | | MA1620-Vi | MA1620-Vi |

Matrx Back Support Options - PS

- Matrx PS ((FLwidth)"w x 12"d) Color Kidabra²
 - Matrx PS ((FLwidth)"w x 14"d) Color Kidabra²
 - Matrx PS ((FLwidth)"w x 16"d) Color Kidabra²
 - Matrx PS ((FLwidth)"w x 12"d) Color Pink²
 - Matrx PS ((FLwidth)"w x 14"d) Color Pink²
 - Matrx PS ((FLwidth)"w x 16"d) Color Pink²
 - Matrx PS ((FLwidth)"w x 12"d) Color Blue²
 - Matrx PS ((FLwidth)"w x 14"d) Color Blue²
 - Matrx PS ((FLwidth)"w x 16"d) Color Blue²
 - Matrx PS ((FLwidth)"w x 12"d) Black Startex Reversible Cover²
 - Matrx PS ((FLwidth)"w x 14"d) Black Startex Reversible Cover²
 - Matrx PS ((FLwidth)"w x 16"d) Black Startex Reversible Cover²
 - Matrx PS ((FLwidth)"w x 18"d) Black Startex Reversible Cover²
 - Matrx PS ((FLwidth)"w x 20"d) Black Startex Reversible Cover²
- ²Must be ordered with Seat Pan Only option.

Price
\$452
\$452
\$452
\$452
\$452
\$452
\$452
\$452
\$452
\$452
\$452
\$452
\$452
\$452
\$452
\$452
\$452
\$452

| FL12 | FL13 | FL14 | FL15 | FL16 |
|----------|----------|----------|--------|--------|
| PS1212-K | PS1312-K | PS1412-K | | |
| PS1214-K | PS1314-K | PS1414-K | | |
| PS1216-K | PS1316-K | PS1416-K | | |
| PS1212-P | PS1312-P | PS1412-P | | |
| PS1214-P | PS1314-P | PS1414-P | | |
| PS1216-P | PS1316-P | PS1416-P | | |
| PS1212-B | PS1312-B | PS1412-B | | |
| PS1214-B | PS1314-B | PS1414-B | | |
| PS1216-B | PS1316-B | PS1416-B | | |
| PS1212 | PS1312 | PS1412 | | |
| PS1214 | PS1314 | PS1414 | | |
| PS1216 | PS1316 | PS1416 | PS1616 | PS1616 |
| | | | PS1618 | PS1618 |
| | | | PS1620 | PS1620 |

Matrx Back Support Options - PSP

- Matrx PSP ((FLwidth)"w x 12"d) Color Kidabra²
 - Matrx PSP ((FLwidth)"w x 14"d) Color Kidabra²
 - Matrx PSP ((FLwidth)"w x 16"d) Color Kidabra²
 - Matrx PSP ((FLwidth)"w x 12"d) Color Pink²
 - Matrx PSP ((FLwidth)"w x 14"d) Color Pink²
 - Matrx PSP ((FLwidth)"w x 16"d) Color Pink²
 - Matrx PSP ((FLwidth)"w x 12"d) Color Blue²
 - Matrx PSP ((FLwidth)"w x 14"d) Color Blue²
 - Matrx PSP ((FLwidth)"w x 16"d) Color Blue²
 - Matrx PSP ((FLwidth)"w x 12"d) Black Startex Reversible Cover²
 - Matrx PSP ((FLwidth)"w x 14"d) Black Startex Reversible Cover²
 - Matrx PSP ((FLwidth)"w x 16"d) Black Startex Reversible Cover²
 - Matrx PSP ((FLwidth)"w x 18"d) Black Startex Reversible Cover²
 - Matrx PSP ((FLwidth)"w x 20"d) Black Startex Reversible Cover²
- ²Must be ordered with Seat Pan Only option.

Price
\$517
\$517
\$517
\$517
\$517
\$517
\$517
\$517
\$517
\$517
\$517
\$517
\$517
\$517
\$517
\$517
\$517
\$517

| FL12 | FL13 | FL14 | FL15 | FL16 |
|-----------|-----------|-----------|---------|---------|
| PSP1212-K | PSP1312-K | PSP1412-K | | |
| PSP1214-K | PSP1314-K | PSP1414-K | | |
| PSP1216-K | PSP1316-K | PSP1416-K | | |
| PSP1212-P | PSP1312-P | PSP1412-P | | |
| PSP1214-P | PSP1314-P | PSP1414-P | | |
| PSP1216-P | PSP1316-P | PSP1416-P | | |
| PSP1212-B | PSP1312-B | PSP1412-B | | |
| PSP1214-B | PSP1314-B | PSP1414-B | | |
| PSP1216-B | PSP1316-B | PSP1416-B | | |
| PSP1212 | PSP1312 | PSP1412 | | |
| PSP1214 | PSP1314 | PSP1414 | | |
| PSP1216 | PSP1316 | PSP1416 | PSP1616 | PSP1616 |
| | | | PSP1618 | PSP1618 |
| | | | PSP1620 | PSP1620 |

Transit

- Transit Option (Manufacturer Installation Required)± ^
- ±See bottom of order form regarding the specific configuration in which the chair was tested for WC-19.
^Pelvic positioning belt required.

Price
\$274

| FL12 | FL13 | FL14 | FL15 | FL16 |
|--------|--------|--------|--------|--------|
| 905082 | 905082 | 905082 | 905082 | 905082 |

Transit Options

- Q'Straint Transit Lap Belt
- Sure-Lok Transit Lap Belt

Price
\$123
\$123

| FL12 | FL13 | FL14 | FL15 | FL16 |
|--------|--------|--------|--------|--------|
| 903094 | 903094 | 903094 | 903094 | 903094 |
| 903232 | 903232 | 903232 | 903232 | 903232 |

Pelvic Positioning

- 2-Point Pelvic Positioning Belt **Price**
- 4-Point Pelvic Positioning Belt by R82 (Camlock Kit and Seat Pan Required)** **\$61**
- Hip Width: 6.75" - 12.5" (Size XS) **\$183**
- Hip Width: 8.25" - 13.75" (Size S) **\$183**
- Hip Width: 9.75" - 16.25" (Size M) **\$183**
- Hip Width: 12.5" - 17.25" (Size L) **\$183**
- Hip Width: 16.25" - 20.5" (Size XL) **\$183**
- Camlock Kit for 4-Point Belt **N/C**
- Left Width, Height Adj. Lateral Pelvic Support (Hip Guide)**
- Small - H: 4.5" - 5.5** **\$164**
- Large - H: 5.25" - 6.25** **\$164**
- Right Width, Height Adj. Lateral Pelvic Support (Hip Guide)**
- Small - H: 4.5" - 5.5** **\$164**
- Large - H: 5.25" - 6.25** **\$164**
- Medial Thigh Support**
- Medium (2.6" front width, 4.1" depth, 2" back width, 2.7" height) **\$221**
- Large (3.3" front width, 5" depth, 2.3" back width, 2.9" height) **\$221**
- X-Large (4" front width, 6" depth, 3" back width, 3" height) **\$221**

**Height is reduced by 2" when used with Cushion.*

Foot & Leg Positioning

- Front Riggings (Footplates attach to the Front Riggings)** **Price**
- 65° Removable Front Riggings - Short (5" - 11" Seat Pan to Footrest Height) **N/C**
- 65° Removable Front Riggings - Long (5" - 13" Seat Pan to Footrest Height) **N/C**
- 90° Removable Front Riggings - (5.7" - 11" Seat Pan to Footrest Height) **N/C**
- Angle Adjustable Elevating Leg Rest (ELR) - Pair *** **\$341**
- Legrest Extension +2** - Pair (ELR Required) **\$75**
- Footplates**
- One-Piece Angle Adjustable Footplates (Flip Up and Reversible) (ELR Required) **\$151**
- One-Piece Fixed Angle Footplates (Flip-up and Reversible Footplate) (ELR Required) **N/C**
- Individual Angle Adjustable Footplates - Pair (Compatible with std fixed front riggings or ELR) **\$244**
- Foot Positioners (Pair)**
- Small 7" - 10" **\$215**
- Medium 8" - 11" **\$215**
- Large 9" - 12" **\$215**
- Therapin Shoe Holders w/Padded Straps (Pair)**
- Small **\$256**
- Medium **\$256**
- Fully Padded Footbox (one-piece footplate required) **\$444**
- Calf Panel **\$83**
- Padded Elevating Legrest Cover (Pair) **\$21**

**2" Legrest Extension interferes with caster swivel when seat is in upright position. Seat must be tilted back at least 5° OR Legrests must be elevated to allow caster swivel.*

***Seat to footplate range varies from 5.25" - 18" depending on chair size.*

****Recommended for full recline.*

Trunk Positioning

- Neoprene Vest by R82 (Camlock Kit and Back Pan Required)** **Price**
- LT Shoulder to RT Hip: 7.75" - 10.75" (Size XS) **\$273**
- LT Shoulder to RT Hip: 10.75" - 12.5" (Size S) **\$273**
- LT Shoulder to RT Hip: 12.5" - 16" (Size M) **\$273**
- LT Shoulder to RT Hip: 16" - 18.5" (Size L) **\$273**
- LT Shoulder to RT Hip: 18.5" - 20.5" (Size XL) **\$273**
- LT Shoulder to RT Hip: 20.5" - 23.5" (Size XXL) **\$273**
- Camlock Kit for Vest **N/C**
- Chest Belt, Upholstered by R82 (Camlock Kit and Back Pan Required)**
- W: 11.25" x D:7.5" x H: 9.25-12" (Size 1) **\$369**
- W: 14" X D: 10.25" X H: 10.25-12.75" (Size 2) **\$369**
- W: 16.25" X D: 12.5" X H: 10.25-12.75" (Size 3) **\$369**
- W: 20.25" X D: 16" X H: 11.25-14.5" (Size 4) **\$369**
- Camlock Kit for Vest **N/C**
- Cross Vest by R82 (Camlock Kit and Back Pan Required)**
- LT Shoulder to RT Hip: 7.75" - 12.5" (Size XS) **\$259**
- LT Shoulder to RT Hip: 10.25" - 13.5" (Size S) **\$259**
- LT Shoulder to RT Hip: 13.5" - 17.75" (Size M) **\$259**
- LT Shoulder to RT Hip: 17.75" - 20.75" (Size L) **\$259**
- LT Shoulder to RT Hip: 20.75" - 24.5" (Size XL) **\$259**
- Camlock Kit for Vest **N/C**
- Swing-Away Lateral Support Bracket by R82 (Hrdw Req)**
- Swing-Away Lateral Support Bracket, Right (Ea.) **\$307**
- Swing-Away Lateral Support Bracket, Left (Ea.) **\$307**
- Swing-Away Hardware**
- Bar, Straight 4¼", Right (Ea.) **\$0**
- Bar, Straight 4¼", Left (Ea.) **\$0**
- Bar, Offset, 1", Right (Ea.) **\$0**
- Bar, Offset, 1", Left (Ea.) **\$0**
- Bar, Offset 1¾", Right (Ea.) **\$0**
- Bar, Offset 1¾", Left (Ea.) **\$0**
- Bar, Offset 2½", Right (Ea.) **\$0**
- Bar, Offset 2½", Left (Ea.) **\$0**
- Swing-Away Lateral Support Curved Cushion (Ea.)**
- Curved Cushion 3½" x 7½", Right (Ea.) **\$142**
- Curved Cushion 3½" x 7½", Left (Ea.) **\$142**
- Curved Cushion 2½" x 6¾", Right (Ea.) **\$142**
- Curved Cushion 2½" x 6¾", Left (Ea.) **\$142**
- Curved Cushion 2½" x 6", Right (Ea.) **\$142**
- Curved Cushion 2½" x 6", Left (Ea.) **\$142**
- Swing-Away Lateral Support Standard Cushion (Ea.)**
- Standard Cushion 4" x 4", Right (Ea.) **\$142**
- Standard Cushion 4" x 4", Left (Ea.) **\$142**
- Standard Cushion 2½" x 6¼", Right (Ea.) **\$142**
- Standard Cushion 2½" x 6¼", Left (Ea.) **\$142**
- Protective Cushion for Laterals, Black (Pr.) (Laterals by R82 only) **\$125**
- 1" Thick Padded Lateral Support Cover (X Small only) (Contoured Laterals only) **\$68**

**Pad Size.*

^Depth of Laterals is reduced by 1.5" with back upholstery.

***Requires height adjustable solid back system.*

| FL12 | FL13 | FL14 | FL15 | FL16 |
|--------|--------|--------|--------|--------|
| 903931 | 903931 | 903931 | 904559 | 904559 |
| 905148 | 905148 | 905148 | 905148 | 905148 |
| 905149 | 905149 | 905149 | 905149 | 905149 |
| 905150 | 905150 | 905150 | 905150 | 905150 |
| 905151 | 905151 | 905151 | 905151 | 905151 |
| 905475 | 905475 | 905475 | 905475 | 905475 |
| 905393 | 905393 | 905393 | 905393 | 905393 |
| 905320 | 905320 | 905320 | 905320 | 905320 |
| 905322 | 905322 | 905322 | 905322 | 905322 |
| 905321 | 905321 | 905321 | 905321 | 905321 |
| 905323 | 905323 | 905323 | 905323 | 905323 |
| 905389 | 905389 | 905389 | 905389 | 905389 |
| 905390 | 905390 | 905390 | 905390 | 905390 |
| 905391 | 905391 | 905391 | 905391 | 905391 |

| FL12 | FL13 | FL14 | FL15 | FL16 |
|--------|--------|--------|--------|--------|
| 905466 | 905466 | 905466 | 905466 | 905466 |
| 905465 | 905465 | 905465 | 905465 | 905465 |
| 905467 | 905467 | 905467 | 905467 | 905467 |
| 905077 | 905077 | 905078 | 905078 | 905136 |
| 904095 | 904095 | 904096 | 904096 | 904097 |
| 905160 | 905161 | 905162 | 905163 | 905164 |
| 905072 | 905073 | 905074 | 905075 | 905076 |
| 905165 | 905165 | 905166 | 905166 | 905166 |
| 903415 | 903415 | 903415 | 903415 | 903415 |
| 903416 | 903416 | 903416 | 903416 | 903416 |
| 903417 | 903417 | 903417 | 903417 | 903417 |
| 904679 | 904679 | 904679 | 904679 | 904679 |
| 904680 | 904680 | 904680 | 904680 | 904680 |
| 904954 | 904954 | 904955 | 904955 | 904956 |
| 904580 | 904580 | 904580 | 904580 | 904580 |
| 904619 | 904619 | 904619 | 904619 | 904619 |

| FL12 | FL13 | FL14 | FL15 | FL16 |
|--------|--------|--------|--------|--------|
| 905476 | 905476 | 905476 | 905476 | 905476 |
| 905152 | 905152 | 905152 | 905152 | 905152 |
| 905153 | 905153 | 905153 | 905153 | 905153 |
| 905154 | 905154 | 905154 | 905154 | 905154 |
| 905480 | 905480 | 905480 | 905480 | 905480 |
| 905481 | 905481 | 905481 | 905481 | 905481 |
| 905392 | 905392 | 905392 | 905392 | 905392 |
| 905155 | 905155 | 905155 | 905155 | 905155 |
| 905156 | 905156 | 905156 | 905156 | 905156 |
| 905157 | 905157 | 905157 | 905157 | 905157 |
| 905158 | 905158 | 905158 | 905158 | 905158 |
| 905392 | 905392 | 905392 | 905392 | 905392 |
| 905176 | 905176 | 905176 | 905176 | 905176 |
| 905177 | 905177 | 905177 | 905177 | 905177 |
| 905178 | 905178 | 905178 | 905178 | 905178 |
| 905179 | 905179 | 905179 | 905179 | 905179 |
| 905180 | 905180 | 905180 | 905180 | 905180 |
| 905392 | 905392 | 905392 | 905392 | 905392 |
| 905338 | 905338 | 905338 | 905338 | 905338 |
| 905337 | 905337 | 905337 | 905337 | 905337 |
| 905327 | 905327 | 905327 | 905327 | 905327 |
| 905327 | 905327 | 905327 | 905327 | 905327 |
| 905328 | 905328 | 905328 | 905328 | 905328 |
| 905328 | 905328 | 905328 | 905328 | 905328 |
| 905329 | 905329 | 905329 | 905329 | 905329 |
| 905329 | 905329 | 905329 | 905329 | 905329 |
| 905330 | 905330 | 905330 | 905330 | 905330 |
| 905330 | 905330 | 905330 | 905330 | 905330 |
| 905331 | 905331 | 905331 | 905331 | 905331 |
| 905331 | 905331 | 905331 | 905331 | 905331 |
| 905332 | 905332 | 905332 | 905332 | 905332 |
| 905332 | 905332 | 905332 | 905332 | 905332 |
| 905333 | 905333 | 905333 | 905333 | 905333 |
| 905333 | 905333 | 905333 | 905333 | 905333 |
| 905334 | 905334 | 905334 | 905334 | 905334 |
| 905334 | 905334 | 905334 | 905334 | 905334 |
| 905335 | 905335 | 905335 | 905335 | 905335 |
| 905335 | 905335 | 905335 | 905335 | 905335 |
| 905336 | 905336 | 905336 | 905336 | 905336 |
| 905411 | 905411 | 905411 | 905411 | 905411 |

Matrx Trunk Positioning Options

Table with 2 columns: Description and Price. Includes items like Matrx MiniFlex Abdominal Support, Matrx PostureFlex, Matrx E2 Fixed Laterals, Matrx Mini Fixed Laterals, Matrx Mini Swingaway Lateral, Matrx E2 Swingaway Lateral, Matrx Mini Chest harness, Matrx E2 Chest Harness, and E2 Backbone PSIS/Lumbar Support.

Head Supports

Table with 2 columns: Description and Price. Includes items like Adjustable Wing Head Support, Anatomic Headrest with Cover by R82, R82 Adjustable Width Headrest (Dynamic - Long, Non-Dynamic - Long, Non-Dynamic - Short), and Headrest Universal Mount.

Matrx Headrest Options

Table with 2 columns: Description and Price. Includes Matrx Standard 6", 10", 14" Pad Startex fabric cover, Matrx 4Point Pad, Matrx Elan hardware, and Matrx Loxx hardware.

Frame Options

Table with 2 columns: Description and Price. Includes Recline System (80 to 130 degrees), Flip-up, Height Adjustable, Armrest - Pair, and Removable Adjustable, Armrest - Pair.

Medical Support Accessories

Table with 2 columns: Description and Price. Includes IV Pole, O2 Tank Holder, LTV Ventilator Holder, Ventilator/Suction/Hard Tray, and other medical accessories.

Accessories

Table with 2 columns: Description and Price. Includes Headrest Cover Options, Upper Extremity Support Tray, Adj. Removable Hardware, Curb Tipper, Caster Locks, Rear Anti-Tip Tubes, Under Seat Storage Basket, and Medical Necessity Storage Basket.

Table with 5 columns (FL12-FL16) and 6 rows showing model numbers like MINIFLEX-XS, MINIFLEX-S, E2FL, MINILAT, SAHMINI-XS, SAHMINI-S, SAHEB-M, SAHEB-L, CHIMB, E2CHI-S, E2BKB.

Table with 5 columns (FL12-FL16) and 16 rows showing model numbers ranging from 904608 to 904946.

Table with 5 columns (FL12-FL16) and 8 rows showing model numbers like ESP6, ESP10, ESP14, E4PTSM, MEHW, MEMH, LXSHW, LXMMH.

Table with 5 columns (FL12-FL16) and 7 rows showing model numbers ranging from 905463 to 905397.

Table with 5 columns (FL12-FL16) and 5 rows showing model numbers ranging from 904566 to 905079.

Table with 5 columns (FL12-FL16) and 13 rows showing model numbers ranging from 902679 to 905275.

| | <u>Customs*</u> | <u>Price</u> | <u>FL12</u> | <u>FL13</u> | <u>FL14</u> | <u>FL15</u> | <u>FL16</u> |
|--|-----------------|--------------|-------------|-------------|-------------|-------------|-------------|
| <input type="checkbox"/> Two Piece Push Handle *30 Day Standard Delivery. | | <u>N/C</u> | 905311 | 905311 | 905311 | 905311 | 905311 |

***The Flyer Transit option includes four manufacturer installed black wheelchair transportation anchors. The Flyer Transit model has been crash tested and conforms to RESNA WC19 standards.

The Convoid Flyer Mobility Base was tested with the Flyer Seating Module equipped with a head support and wheelchair anchored pelvic lap belt. The performance and safety of accessories and/or other seating options not tested by Convoid is unknown, and no warranty or claim about their performance is or can being made.

Transit and Non Transit weight capacity: Back Cane Position 1: 85 lbs/39 kg and Back Cane Position 2-4: 145 lbs/66 kg.

Furthermore, when being transported in a vehicle it is Convoid's position that the wheelchair user transfer from the wheelchair into appropriate vehicle seating during transportation. Please note that at this time, the Department of Transportation has not officially approved any tie-down system for a user while in a wheelchair, therefore Convoid cannot recommend a transit system.

For more information on RESNA WC-19 and WC-20 standards please visit <http://www.recrwts.pitt.edu/WC19.html>.

HCPCS codes are provided for your convenience and are NOT to be considered billing or legal advice. Providers are responsible for insuring that appropriate billing codes are used when submitting claims. Proper use of HCPCS codes does not insure coverage or payment. Contact the appropriate payer for coverage information.

Standard Shipping Rates: Ground \$69 • For expedited shipping rates, please call 1-844-876-6245

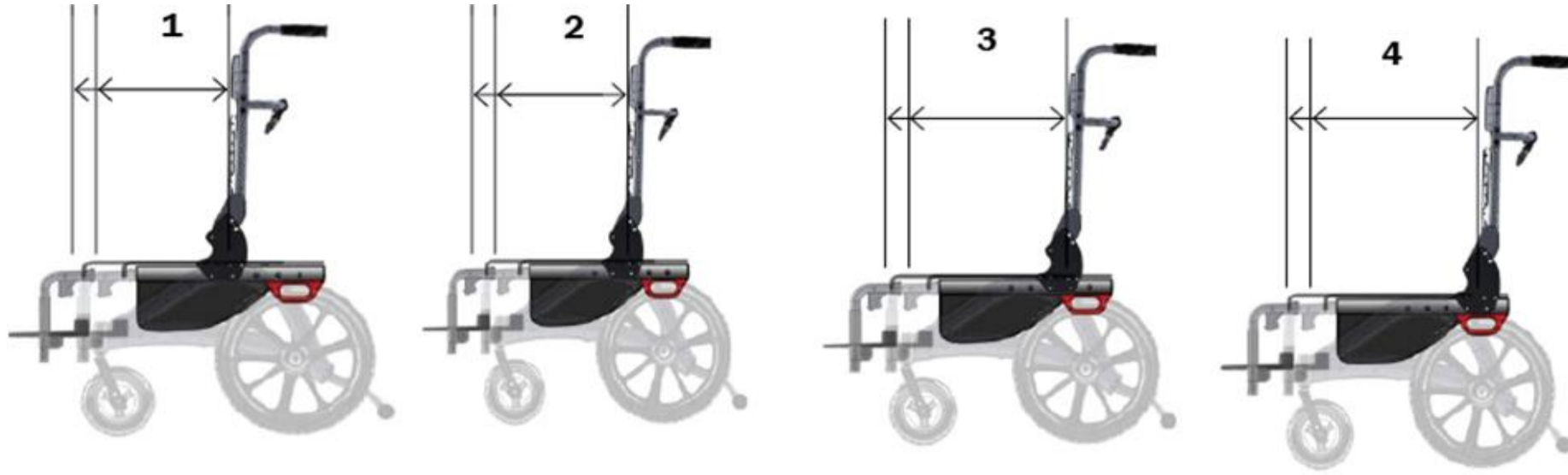
Prices in CAD & subject to change, ex works Torrance, California.

Effective: 1/1/2022

Convoid
2830 California Street
Torrance, CA 90503
1 844-US-MOBILITY (844-876-6245)
www.etac.us.com



Seat Depth Adjustable Positions:



| Position Option | 1 | 2 | 3 | 4 |
|--|--------------|-------------|---------------|---------------|
| Seating System Seat Depth Adjustment Range | | | | |
| Back Canes | 11" – 15" | 13" – 17" | 15" – 19" | 17" – 21" |
| Solid Back* | 9.5" – 13.5" | 11.5" 15.5" | 13.5" – 17.5" | 15.5" – 19.5" |

*Seat Depth is reduced by 1 1/2" when used with solid back seating system

Footplate Dimensions:

| Seat to Footplate Dimensions | Mounting | 12" Flyer | 13" Flyer | 14" Flyer | 15" Flyer | 16" Flyer |
|---|------------|----------------|----------------|----------------|----------------|----------------|
| One-Piece Angle Adjustable Footplates | Flip-Up | 9in-14in | 9in-14in | 11in-16in | 11in-16in | 13in-18in |
| | Reversible | 5.25in-11.25in | 5.25in-11.25in | 7.25in-13.25in | 7.25in-13.25in | 9.25in-15.25in |
| One-Piece Fixed Angle Footplates | Flip-Up | 9in-14in | 9in-14in | 11in-16in | 11in-16in | 13in-18in |
| | Reversible | 5.25in-11.25in | 5.25in-11.25in | 7.25in-13.25in | 7.25in-13.25in | 9.25in-15.25in |
| Individual Angle Adjustable Footplates - Pair | Flip-Up | 7in-13in | 7in-13in | 9.5in-15.5in | 9.5in-15.5in | 12in-18in |
| | Reversible | 4.5in-9.25in | 4.25in-11in | 4.25in-11in | 4.25-11in | 7.25in-13.25in |

Height Adjustable Removable Armrest Length:

| Recommended Height Adjustable Removable Armrest Length per Seat Depth Position | | | | |
|--|-----------------------|-----------------------|-----------------------|-----------------------|
| | Seat Depth Position 1 | Seat Depth Position 2 | Seat Depth Position 3 | Seat Depth Position 4 |
| Height Adjustable Removable Armrest - Short 9.00" Length | ● | ● | | |
| Height Adjustable Removable Armrest - Short 9.00" Length | | | ● | ● |