

# Lateral Trunk Supports

Spex lateral trunk supports offer adjustability, comfort and positioning. Our anatomical pad design with new full curved Natural-Lateral® surface has been tested for optimum fitting to body shape. The supporting surface of each lateral pad includes a layer of pressure relieving foam for additional protection and comfort.

## CLINICAL

- Modular lateral supports provide optimum trunk control whilst improving balance, posture and comfort
- Offset correction can be applied to an asymmetric trunk to bring better trunk alignment for enhanced function

## FUNCTIONAL BENEFITS

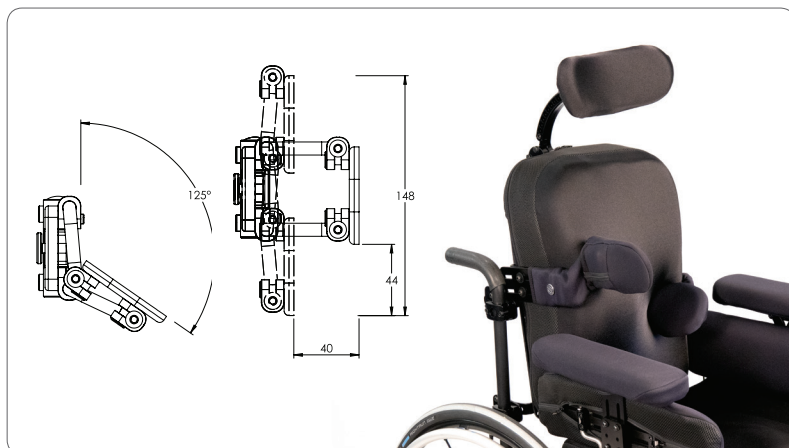
- Super comfortable pressure-reduction padding for moulding to user shape
- Removable and washable covers
- Brackets are adjustable in all planes: height, width, depth and lateral angle for ultimate trunk orientation
- Spex brings you modular creativity! Mix and match with different pad combinations
- Provide trunk control and stability with the ability to install a lateral in multiple positions on the back support
- Approx. lateral hardware weight is from 0.15 to 0.45 kg, and approx. lateral pad weight is from 0.05 to 0.3 kg

## OPTIONS

- Select from Fixed, Standard Swing-Away or Axial Swing-Away Hardware
- Bracket upgrades available:
  - Cane Mount
  - DeepContour backrest bracket
  - Extension for DeepContour (commonly used with SuperShape backrest)

## AXIAL® TECHNOLOGY

Unique swing-away hardware that allows the lateral pad to rotate to correctly support/align to the user's trunk needs.



## HARDWARE OPTIONS



### FIXED

Width and depth adjustable



### STANDARD SWING-AWAY

Width and depth adjustable with vertical pivot adjustment.



### AXIAL® SWING-AWAY

Width, depth, and multiple angle adjustable by it's rotational system.

Axial technology provides the correct support structure with patented mechanically rotational system.



### CANE MOUNT

Mounts directly to wheelchair canes

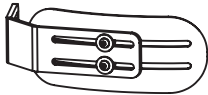


Anatomical full-curve **NATURAL-LATERAL®** technology for optimum fitting to body shape

Comfort to new levels with **PRESSURE-REDUCING** layer

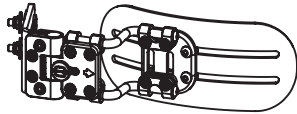
Huge pad range to provide the exact **SNUG FITTING** comfort that's required (refer Page 40)

**FIXED LATERAL HARDWARE**



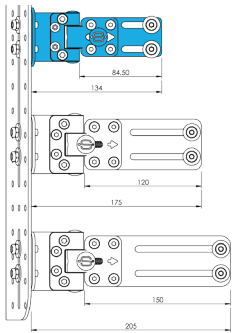
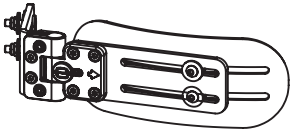
Options (Add pad, shown on Pg 40)	Depth Adjustment	Code
Fixed Bracket	55 mm	1266-2101-100
Kidz Fixed Bracket	40 mm	1266-2111-100

**AXIAL LATERAL HARDWARE**



Options (Add pad, shown on Pg 40)	Code
Axial Hardware	1266-2301-100
Kidz Axial Hardware	1266-2311-100

**SWING-AWAY LATERAL HARDWARE**

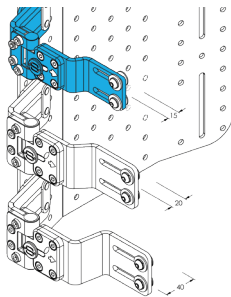


**STANDARD**

Options (Add pad, shown on Pg 40)	Overall length	Plate Length	Code
Swing-Away, straight bracket	175 mm	120 mm	1266-2201-100
Swing-Away, kidz straight bracket	134 mm	85 mm	1266-2211-100
Swing-Away, straight extended bracket	205 mm	150 mm	1266-2202-100

**OFFSET**

When lateral support is required to sit closer towards the user's trunk to provide support



Options (Add pad, shown on Pg 40)	Offset	Code
Swing-Away, offset bracket	20 mm	1266-2203-100
Swing-Away, kidz offset bracket	15 mm	1266-2213-100
Swing-Away, offset extended bracket	40 mm	1266-2204-100

# Lateral Support Pads

Anatomical pad design with new full curved Natural-Lateral® surface has been tested for optimum fitting to body shape. Huge lateral support pad range to provide the exact fit required.



## STANDARD COVER

- Pictured above. Removable and washable cover option

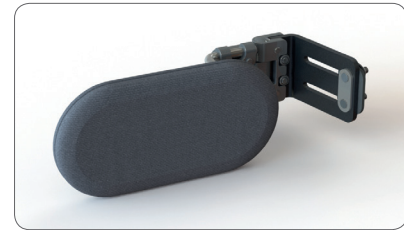
## COMFY-COVER

Exclusive Comfy-Covers are available for all laterals (pictured right):

- Extended padding over mechanism to protect arms from the metal hardware
- Clever release strap for operating the swing away movement
- Easy release for users who have limited hand function and need independent use to open the laterals for transfers

Pad Style	Size	Pad Height	Pad Depth	Pad & Std Cover	Pad & Comfy-Cover
Narrow Straight	0	85 mm	115 mm	1266-3010-400	1266-3010-800
"	1	95 mm	145 mm	1266-3011-400	1266-3011-800
"	2	95 mm	180 mm	1266-3012-400	1266-3012-800
"	3	115 mm	210 mm	1266-3013-400	1266-3013-800
"	4	115 mm	240 mm	1266-3014-400	1266-3014-800
Narrow Curved	1	95 mm	145 mm	1266-3021-400	1266-3021-800
"	2	95 mm	180 mm	1266-3022-400	1266-3022-800
"	3	115 mm	210 mm	1266-3023-400	1266-3023-800
"	4	115 mm	240 mm	1266-3024-400	1266-3024-800
Broad	1	105 mm	130 mm	1266-3031-400	1266-3031-800
"	2	125 mm	140 mm	1266-3032-400	1266-3032-800
"	3	140 mm	150 mm	1266-3033-400	1266-3033-800
"	4	160 mm	155 mm	1266-3034-400	1266-3034-800
"	5	195 mm	165 mm	1266-3035-400	1266-3035-800
"	6	230 mm	175 mm	1266-3036-400	1266-3036-800

## LATERAL PAD OPTIONS



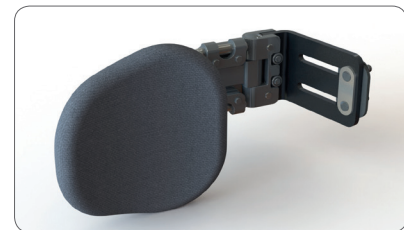
### NARROW STRAIGHT

Freedom to move forwards and backwards for functional activities and transfers



### NARROW CURVED

Anterior support for increased comfort and spinal extension

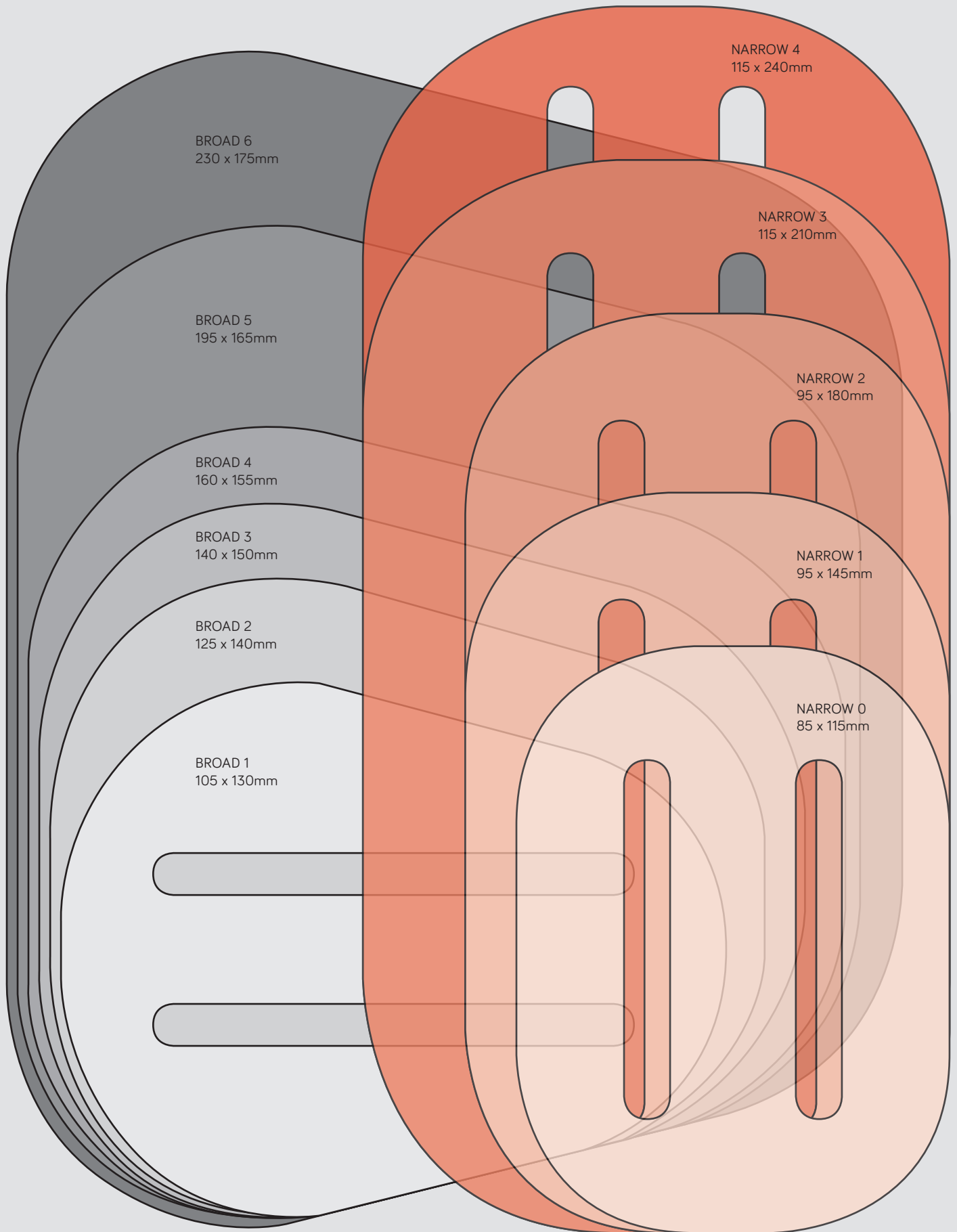


### BROAD

Provides long trunk support and effective pressure reduction

## COMFY-COVER OPTION

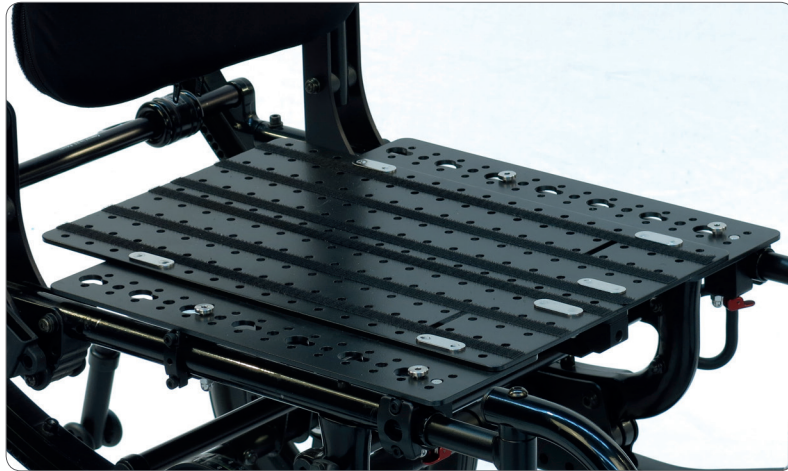




Spex provides the tools to make decisions for faster results, including this lateral pad size guide to scale. When deciding which lateral support pad style and size will suit your clients, place this page against their torso to make an informed decision on the spot!

# Grid-Base Seat Pan

Crash tested and certified for forward facing transportation in a motor vehicle to WC20 & ISO16840-4 standards, the Spex Grid-Base Seat Pan gives the wheelchair chassis the structural foundation to build any configuration of seating.



## CLINICAL

- Provides stability and a solid foundation for the cushion to ensure no sag is present when the user is seated
- Allows pressure distribution through over the entire cushion, avoiding pressure in any specific area
- Ensures stability for build up seating cushions

## FUNCTIONAL

- Grid hole positions allow multiple uses for mounting support hardware e.g. lateral pelvic/thigh supports, medial thigh support, etc
- One hardware system that is either quick-release or non-removable
- Rear cutout sections around back support cane mounts
- 4 point fixation. Front 2 quick-release pins provide fast sliding removal from the wheelchair
- Designed for both folding and fixed chairs
- Approx. weight is 2.5 kg

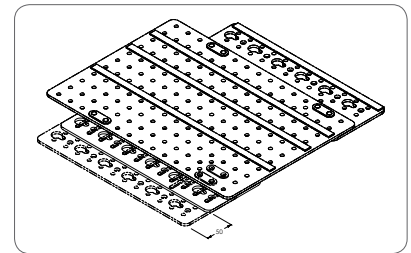
W/C Width	Length	Code	Maximum User Weight	Width adjustment
10"/11"	10"	1007-1012-100	90 kg/200 lb	Up to 3.5"
12"/13"	12"	1007-1212-100	90 kg/200 lb	Up to 3.5"
"	14"	1007-1214-100	90 kg/200 lb	Up to 3.5"
14"/15"	14"	1007-1414-100	90 kg/200 lb	Up to 3.5"
"	16"	1007-1416-100	90 kg/200 lb	Up to 3.5"
16"/17"	16"	1007-1616-100	136 kg/300 lb	Up to 3.5"
"	18"	1007-1618-100	136 kg/300 lb	Up to 3.5"
18"/19"	18"	1007-1818-100	136 kg/300 lb	Up to 3.5"
"	20"	1007-1820-100	136 kg/300 lb	Up to 3.5"
20"/21"	20"	1007-2020-100	136 kg/300 lb	Up to 3.5"

## FUNCTIONAL BENEFITS



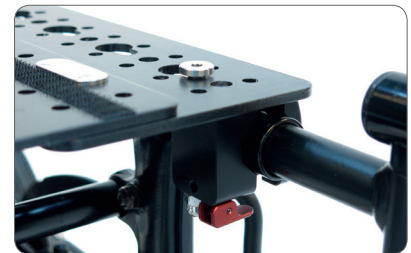
### GRID OF HOLES

For ease of installing auxiliary supports



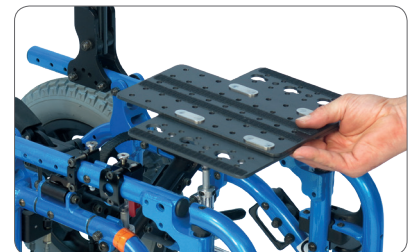
### WIDTH-ADJUSTABLE

For future growth



### EASY LEVER-LATCH RELEASE SYSTEM

With durable aluminium hardware



### SIMPLE REMOVAL

When removed, no hardware remains on seat pan.

# Medial Thigh Support

The Spex medial thigh support is a wedge shape that can be attached to the front of the wheelchair seat. It should be used to keep the user's legs in the correct position to maintain a neutral pelvis. Provides a comfortable yet firm knee and medial thigh support through a soft padding and removable washable cover.



## CLINICAL

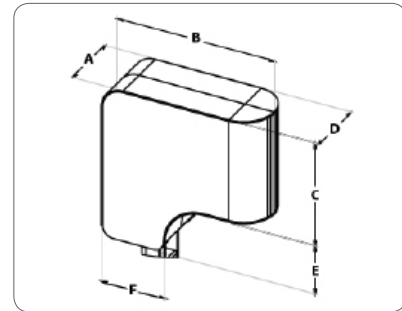
- Should be used with clients who experience a variety of movement disorders, fluctuating muscle tone, spasticity or contractures
- Assists to align the heads of the femurs with the acetabulum providing symmetrical hip abduction for proper posture
- Abduction allows equal weight bearing through both ischial tuberosities and thighs, thus permitting better pressure distribution
- Provides a wider, more stable support base for the upper body while limiting contractures and deformities that could interfere with function
- In hip dysplasia cases, luxation or dislocation; provides comfort and reduces pain
- Not to be used as a way to prevent or limit forward sliding. Should be installed clear of the groin area

## FUNCTIONAL

- Depth adjustable convenience combined with flip down hardware, which can then pull off the mount to allow an unimpeded transfer (pull-off feature can be locked with a bolt if not required)
- Easy access release hardware which can be mounted to a seat pan
- Huge height range for high profile cushions

Pad Style	Pad Size	Code	A	B	C	D	E	F
Standard	1	1162-1501-000	60 mm	145 mm	95 mm	40 mm	40 mm	65 mm
"	2	1162-1502-000	60 mm	155 mm	100 mm	60 mm	50 mm	65 mm
"	3	1162-1503-000	60 mm	185 mm	105 mm	60 mm	60 mm	75 mm
Axial-Adjust	1	1162-1601-000	70-140 mm	145 mm	95 mm	50-120 mm	40 mm	65 mm
"	2	1162-1602-000	70-140 mm	155 mm	100 mm	60-140 mm	50 mm	65 mm
"	3	1162-1603-000	70-160 mm	185 mm	105 mm	60-140 mm	60 mm	75 mm

## PAD OPTIONS



### STANDARD PAD

Refer table below for size options.

Approx. weight is from 0.8 to 1.1 kg



### AXIAL-ADJUSTABLE PAD

Shown below without cover. Unique expansion fabric cover allows multiple adjustments.

Offset and swivel for asymmetric positions. Infinite adjustments.

Approx. weight is from 0.95 to 1.25 kg

# Head Support

Provide adequate neck and head control simply with the Spex head support system. Clever use of twin ball-joints means the head pad can be orientated to where the optimal support is needed.



## FUNCTIONAL

- Softly padded foam inner head support, with supple upholstery covers
- Powerful clamp mechanism allows super-quick release and prevents lateral movement
- Extra strong and non-wobbly hardware
- No protruding bar at rear. Carer-friendly design doesn't harm anyone pushing the wheelchair
- Goose-necked stem permits additional fine-tuning, forward and rearward
- Select mechanism from either Standard (20 cm/8" forward range) or Zoom for extended reach (28 cm/11" forward range).
- Approx. head support weight is from 1.2 to 2.05 kg



Pad Style	Pad Size	Pad Width	Pad Height	Pad & Std Mechanism	Pad & Zoom Mechanism
Compact	-	250 mm	100 mm	1270-4131-000	1270-4231-000
Square	Small	200 mm	160 mm	1270-4111-000	1270-4211-000
	Large	240 mm	200 mm	1270-4112-000	1270-4212-000
Contoured	Small	285 mm	115 mm	1270-4121-000	1270-4221-000
	Large	340 mm	165 mm	1270-4122-000	1270-4222-000
Adjustable Lateral	Small	200 mm	160 mm	1270-4141-000	1270-4241-000
	Large	240 mm	200 mm	1270-4142-000	1270-4242-000
Comfi	Standard	270 mm	150 mm	1270-4151-000	1270-4251-000
	Extended	270 mm	165 mm	1270-4152-000	1270-4252-000

## SUPPORT PAD OPTIONS



### COMPACT

Basic, compact head support for clients with good head control.



### SQUARE

Unobtrusive yet provides good contact support.



### CONTOURED

Offers close lateral and occipital support for clients with reduced head control.



### ADJUSTABLE LATERAL

Lateral wings of the head support can be adjusted and locked at the desired position.



### COMFI

Posterior head pad with extra support on the sub-occipital area to promote head positioning and encourage alignment

# Lateral Thigh Supports

Spex wheelchair thigh supports are transport certified and designed to be installed to the seat pan or seat rail, enabling precise positioning for the user. Various configurations are available including our acclaimed Axial hardware that enables full support for external hip rotation and wind-swept postures as well as preventing pelvic rotation tendency.

## CLINICAL

- Facilitate good thigh alignment and stabilize the sitting posture
- Control hip abduction, moderate external hip rotation, reduces femur and greater trochanter lateral pressure into the wheelchair sideguards by its comfortable pad
- Prevent hip, pelvic and trunk rotation by stabilising the pelvis on the seating system
- In combination with trunk lateral supports, they assist to align the users posture, stabilizing upper body and providing functionality

## FUNCTIONAL

- Hardware can be configured various ways to suit different pelvic and thigh patterns
- Arm supports can be upgraded to the hardware if necessary
- Hardware is available in fixed or axial adjustment. Axial hardware reduces the seat width by 0 to 65 mm each side. Pad is 25 mm thick, and Axial bars allow for up to 40 mm of adjustment
- Washable upholstery covers

# Arm Supports

Arm supports provide functional forearm and upper extremity support. Modular system creates flexibility and takes into consideration the individual needs of all kinds of clients. Hardware can be combined with thigh support pads, if required.



## CLINICAL

- By having arm supports in the correct position, bearing normal weight on the arm pads will provide better trunk alignment and support which improves posture
- Assist pelvic and trunk stability to reduce or redirect forces that lead to pressure sores
- Correct shoulder girdle stabilising
- In combination with tray table they assist to improve upper body stability essential to accomplishing tasks

## FUNCTIONAL

- Spex hardware enables precise positioning of the arm support pads to ensure the user gains the correct positioning for function
- A variety of different hardware options allow specific functions tailored for the user
- Powered chair drive controllers can be easily installed
- Gain accurate width setting and infinite height setting for improved arm placement
- Approx. combo Thigh & Arm Support weight is 1.85 kg per side.

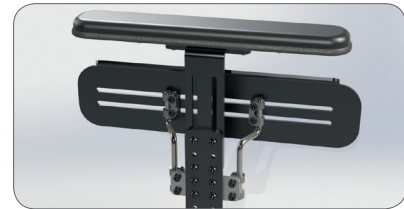
## FUNCTIONAL CHOICES FOR THIGH & ARM SUPPORTS



- Quick Release



- Flip-Down. Facilitate easy transfers



- Fixed

## ARM SUPPORT CHOICES HEIGHT & ANGLE-ADJUST (PICTURED) OR HEIGHT-ADJUST AVAILABLE



Multiple angle adjustments for precise support.



## THIGH SUPPORTS



Support pads orientate for width reduction of pelvic area.



Lateral growth adjustment.



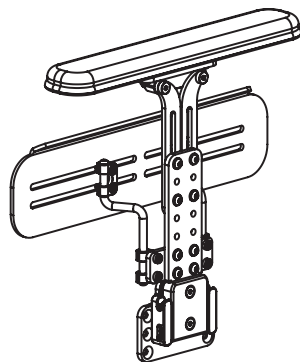
Wind-sweeping ability for correct alignment of pelvis/thighs.



Abduction control within our patented Axial technology to maintain precise support.

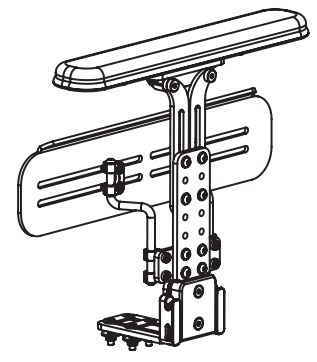
### SEAT RAIL MOUNT

Option for thigh/arm support hardware. Mounts vertically to the seat rail on most power chairs.



### SEAT PAN MOUNT

Option for thigh/arm support hardware. Mounts horizontally to the seat pan of most wheelchairs.



### THIGH SUPPORT PADS

SIZE	WIDTH	DEPTH	CODE
10"	75 mm	250 mm	1156-1010-400
12"	80 mm	300 mm	1156-1012-400
14"	90 mm	350 mm	1156-1014-400
16"	100 mm	400 mm	1156-1016-400
18"	100 mm	430 mm	1156-1018-400
20"	100 mm	450 mm	1156-1020-400

### ARM SUPPORT PADS

SIZE	WIDTH	DEPTH	CODE
SML, Slim	40 mm	250 mm	1156-5811-410
MED, Slim	50 mm	300 mm	1156-5812-410
LGE, Slim	60 mm	350 mm	1156-5813-410
SML, Wide	70 mm	250 mm	1156-5821-410
MED, Wide	80 mm	300 mm	1156-5822-410
LGE, Wide	90 mm	350 mm	1156-5823-410