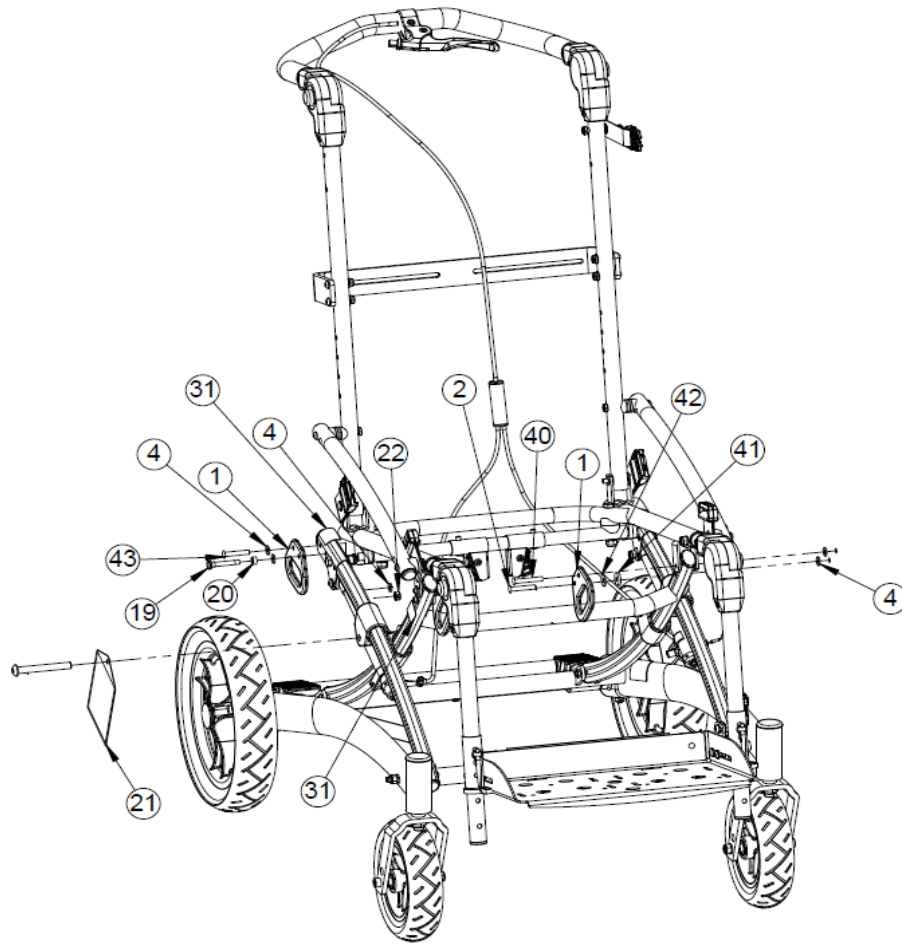


Page 1: Standard Assembly

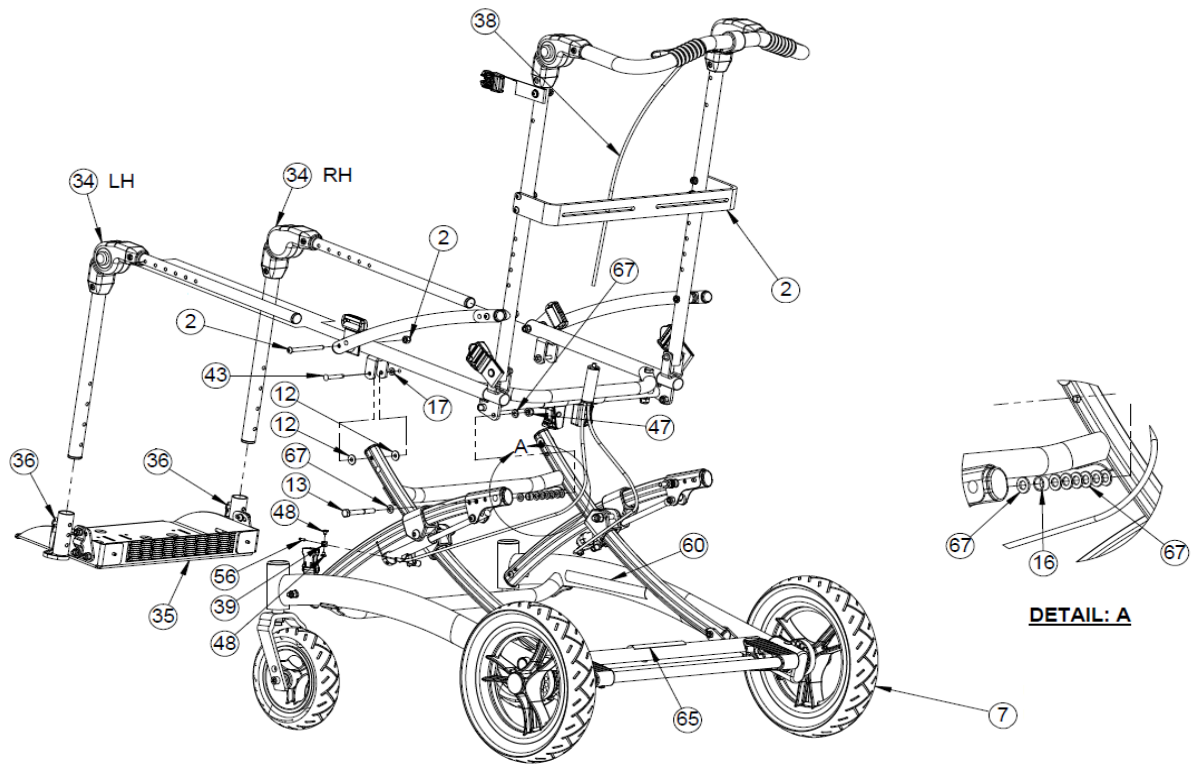
SIZE	KIT NAME	ITEM NO.	DESCRIPTION	QTY2	KIT
12	RD12 Seat & Back Upholstery	1	RD-12 Seat Assy, Built-in Calf Support	1	993160
14	RD14 Seat & Back Upholstery	1	RD-14 Seat Assy	1	993260
16	RD16 Seat & Back Upholstery	1	RD-16 Seat Assy, Built In Calf Support	1	993360
10	RD10 Seat & Back Upholstery	1	RD-10 Standard Seat Assy	1	995060



Page 2: Seat Frame Assembly

SIZE	KIT NAME	ITEM NO.	DESCRIPTION	QTY2	KIT
12, 14	Rodeo 14 Transit Model	1	Transport Anchor (Manufacturing Installation Required)	4	903168
12, 14		2	Rivet 1/4" X 1-3/8" S/T Steel	2	
12, 14		4	Washer 1/4" AN-960-416	10	
12, 14		19	Transit Anchor Lock Pin 1-3/8" (Manufacturing Installation Required)	2	
12, 14		20	Transit Anchor Lock Pin Sleeve (Manufacturing Installation Required)	2	
12, 14		21	Caution Card WC/19	1	
12, 14		22	Locknut 1/4"-28 Flexlock Black Zinc	2	
12, 14		31	Anchor Logo	4	
12, 14		40	Rivet 1/4" X 1-9/16" S/T	2	
12, 14		41	Nylon Washer 1/4" X 3/4" X 1/8"	2	
12, 14		42	Nylon Washer 1/4" X 11/16"	2	

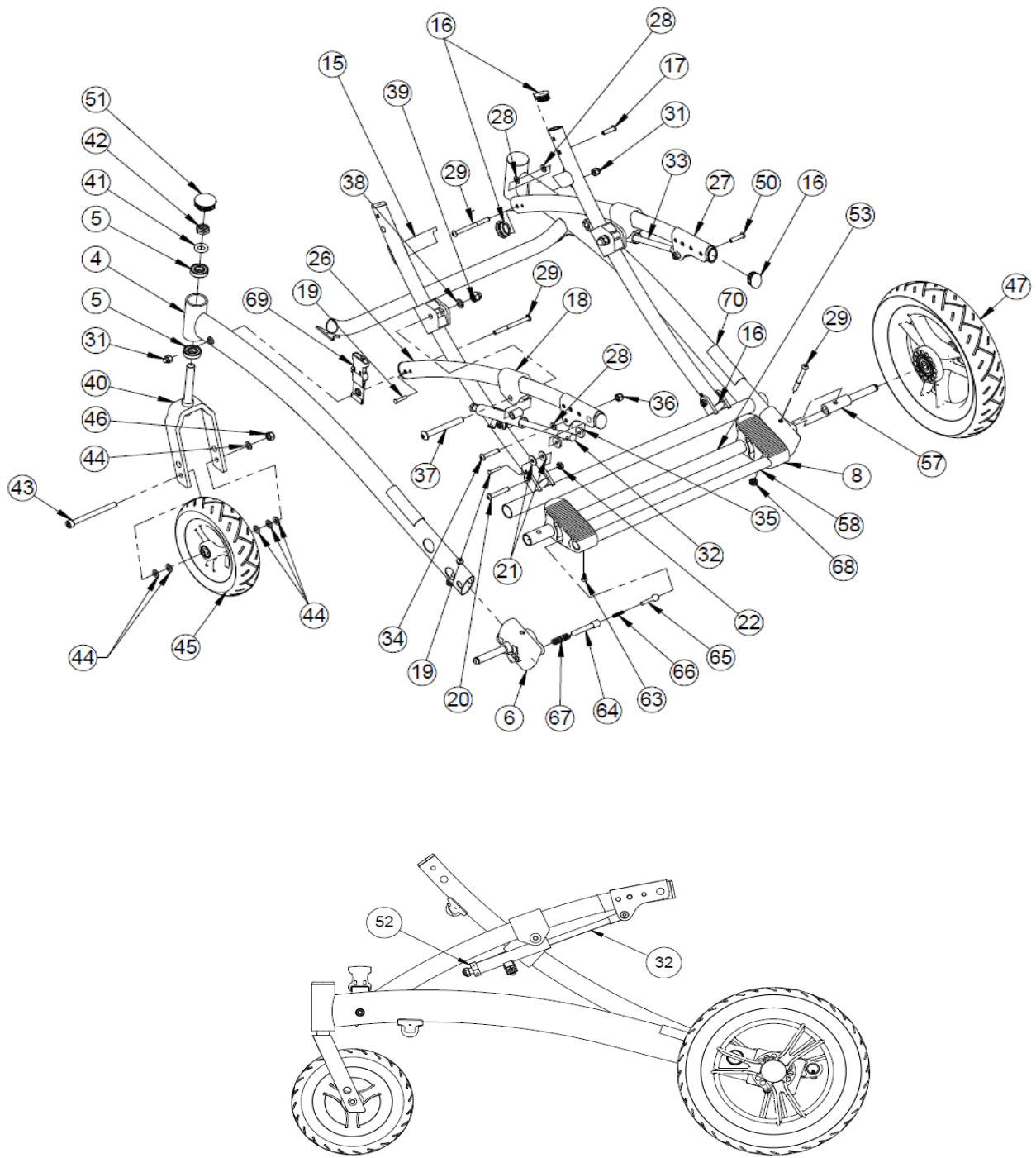
12, 14		43	Rivet 1/4" X 1-3/8" Stainless Steel	2	
16	Rodeo 16 Transit Model	1	Transport Anchor (Manufacturing Installation Required)	4	903169
16		2	Rivet 1/4" X 1-3/8" S/T Steel	2	
16		4	Washer 1/4" AN-960-416	10	
16		19	Transit Anchor Lock Pin 1-3/8" (Manufacturing Installation Required)	2	
16		20	Transit Anchor Lock Pin Sleeve (Manufacturing Installation Required)	2	
16		21	Caution Card WC/19	1	
16		22	Locknut 1/4"-28 Flexlock Black Zinc	2	
16		31	Anchor Logo	4	
16		40	Rivet 1/4" X 1-9/16" S/T	2	
16		41	Nylon Washer 1/4" X 3/4" X 1/8"	2	
16		42	Nylon Washer 1/4" X 11/16"	2	
16		43	Rivet 1/4" X 1-3/8" Stainless Steel	2	
10		RD-10 Transit Assembly	1	Transport Anchor (Manufacturing Installation Required)	
10	2		Rivet 1/4" X 1-3/8" S/T Steel	2	
10	4		Washer 1/4" AN-960-416	14	
10	19		Transit Anchor Lock Pin 1-1/8" (Manufacturing Installation Required)	2	
10	20		Transit Anchor Lock Pin Sleeve (Manufacturing Installation Required)	2	
10	21		Caution Card WC/19	1	
10	22		Locknut 1/4"-28 Jam Flexlock Black Zinc	2	
10	31		Anchor Logo	4	
10	40		Rivet 1/4" X 1-9/16" S/T	2	
10	41		Nylon Washer 1/4" X 3/4" X 1/8"	2	
10	42		Nylon Washer 1/4" X 11/16"	2	
10	43		Rivet 1/4" X 1-3/8" Stainless Steel	4	



Page 3: Frame Assembly

SIZE	KIT NAME	ITEM NO.	DESCRIPTION	Qty2	KIT
10, 12	RD12 Foot Plate Tube Assy - LH	34	RD-12 Foot Plate Tube Assembly LH	1	993112
10, 12	RD12 Foot Plate Tube Assy - RH	34	RD-12 Foot Plate Tube Assembly- RH	1	993113
12	RD12 Foot Plate Assy	35	RD-12 Foot Plate Assy	1	993114
12		36	Detent Pin With Webbing Assembly	2	
12, 14	RD Tilt Cable Assy	38	RD-12/14 Tilt Cable Assembly	1	993120
14	RD14 Foot Plate Tube Assy - LH	34	Rodeo 14 Foot Plate Tube Assy LH	1	993212
14	RD14 Foot Plate Tube Assy - RH	34	Rodeo 14 Foot Plate Tube Assy RH	1	993213
14	RD14 Foot Plate Assy	35	RDL-14 Foot Plate Assy	1	993214
14		36	Detent Pin With Webbing Assembly	2	
16	RD16 Foot Plate Tube Assy - LH	34	RD-16 Foot Plate Tube Assy LH	1	993312
16	RD16 Foot Plate Tube Assy - RH	34	RD-16 Foot Plate Tube Assy RH	1	993313
16	RD16 Foot Plate Assy	35	RD-16 Foot Plate Assy	1	993314
16		36	Detent Pin With Webbing Assembly	2	
16	RD16 Tilt Cable Assembly (Kit)	38	RD-16 Tilt Cable Assembly	1	993320

10	RD10 One Piece Footplate Assy	35	RD-10 Foot Plate Assy	1	995014
10		36	Detent Pin With Webbing Assembly	2	
10	RD10 Tilt Cable Assy	38	RD-10 Tilt Cable Assembly	1	995020

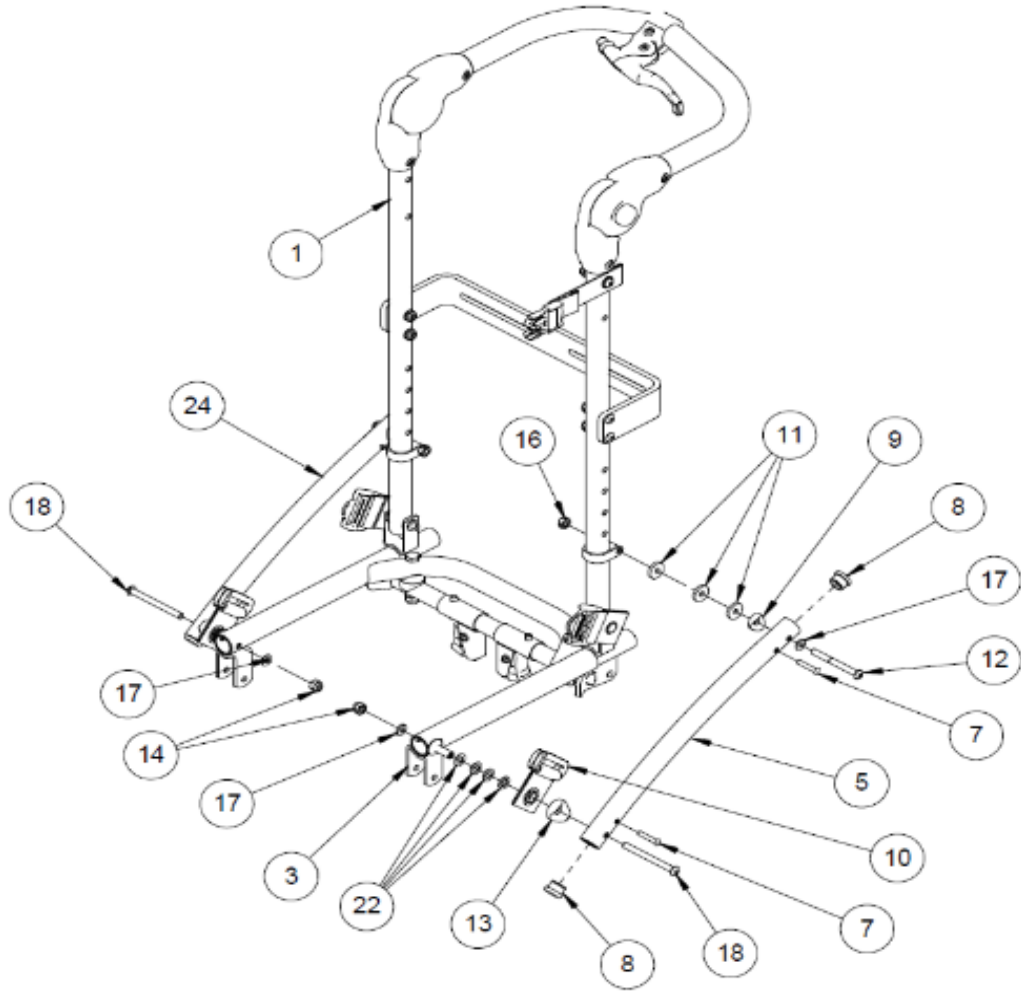


Page 4: Base Assembly

SIZE	KIT NAME	ITEM NO.	DESCRIPTION	QTY2	KIT
12	RD12 Rear Cross Tube - Std	15	RD-12 Rear Cross Tube Welded	1	993104
All Sizes	Rodeo Slider Kit	18	Rodeo Slider	4	
All Sizes		37	Bolt 3/8"-16 x 3" Socket Button Head	2	

All Sizes		38	Washer 3/8" Black Zinc	2	
All Sizes		39	Locknut 3/8"-16 Capped Nylon	2	
12	RD/RN12 Single Bar Brake System w/Base	4	RD-12 Base Welded	1	993173
12		6	Trekker Axle Coupler	2	
12		8	Trekker Brake Pedal	2	
12		29	Bolt 1/4"-28 x 2-3/4" Soc Button Hd Alloy Stl	2	
12		53	RD-12 Axle Tube	1	
12		57	Trekker Axle Pin	2	
12		58	RD-12 Brake Pedal Tube	2	
12		63	Sheet Metal Screw #10 X 1/2" - steel-blk zi	2	
12		64	Trekker Brake Pin Outer	2	
12		65	Trekker Brake Pin Inner	2	
12		66	Comp Spring 0.118 ID x 0.188 OD x 0.75	2	
12		67	Comp Spring 0.344 ID x 0.420 OD x1.50	2	
12		68	Locknut 1/4"-28 Flexlock Black Zinc	2	
14		RD14 Rear Cross Tube - Std	15	RD-14 Rear Cross Tube Welded	
14	RD/RN14 Single Bar Brake System w/Base	4	RD-14 Base Welded	1	993273
14		6	Trekker Axle Coupler	2	
14		8	Trekker Brake Pedal	2	
14		29	Bolt 1/4"-28 x 2-3/4" Soc Button Hd Alloy Stl	2	
14		53	RD-14 Axle Tube	2	
14		57	Trekker Axle Pin	2	
14		58	RD-14 Brake Pedal Tube	1	
14		63	Sheet Metal Screw #10 X 1/2" - steel-blk zi	2	
14		64	Trekker Brake Pin Outer	2	
14		65	Trekker Brake Pin Inner	2	
14		66	Comp Spring 0.118 ID x 0.188 OD x 0.75	2	
14		67	Comp Spring 0.344 ID x 0.420 OD x1.50	2	
14		68	Locknut 1/4"-28 Flexlock Black Zinc	2	
16		RD/RN16 Single Bar Brake System w/Base	4	RD-16 Base Welded	
16	6		Trekker Axle Coupler	4	
16	8		Trekker Brake Pedal	2	
16	29		Bolt 1/4"-28 x 2-3/4" Soc Button Hd Alloy Stl	2	
16	53		RD-16 Axle Tube	1	
16	57		Trekker Axle Pin	2	
16	58		RD-16 Brake Pedal Tube	2	
16	63		Sheet Metal Screw #10 X 1/2" - steel-blk zi	2	
16	64		Trekker Brake Pin Outer	2	
16	65		Trekker Brake Pin Inner	2	
16	66		Comp Spring 0.118 ID x 0.188 OD x 0.75	2	

16		67	Comp Spring 0.344 ID x 0.420 OD x1.50	2	
16		68	Locknut 1/4"-28 Flexlock Black Zinc	2	
10	RD/RN10 Single Bar Brake System w/Base	4	RD-10 Base Welded	1	995073
10		6	Trekker Axle Coupler	2	
10		8	Trekker Brake Pedal	2	
10		29	Bolt 1/4"-28 x 2-3/4" Soc Button Hd Alloy Stl	2	
10		53	RD-10 Axle Tube	1	
10		57	Trekker Axle Pin	2	
10		58	RD-10 Brake Pedal Tube	1	
10		63	Sheet Metal Screw #10 X 1/2" - steel-blk zi	2	
10		64	Trekker Brake Pin Outer	2	
10		65	Trekker Brake Pin Inner	2	
10		66	Comp Spring 0.118 ID x 0.188 OD x 0.75	2	
10		67	Comp Spring 0.344 ID x 0.420 OD x1.50	2	
10		68	Locknut 1/4"-28 Flexlock Black Zinc	2	
All Sizes		RD Closure Strap	69	Footplate Strap	
All Sizes	Caster Fork Assembly 7.5" X 2" (ROLKO)	40	Balloon Caster Fork Assembly	1	996009
All Sizes		41	"0" Ring Buna-Nitrile	1	
All Sizes	Standard Tires 7.5" X 2" Front, 11.5" X 2.5" Rear	43	Bolt M8-1.25mm x 90mm Socket Cap Screw	2	996606
All Sizes		44	Washer 5/16" X 9/16"	12	
All Sizes		45	Front Wheel w/3-Spokes 182.5x51mm Rolko	2	
All Sizes		46	Locknut M8-1.25 Nylon Insert	2	
All Sizes		47	Rear Wheel 290mm x 60mm (Rolko)	2	



Page 5: Top Assembly

SIZE	KIT NAME	ITEM NO.	DESCRIPTION	QTY2	KIT
12	RD12 Lateral Seat Support Tube	5	RD-12 Seat Support Tube, LH	1	993145
14	RD14 Lateral Seat Support Tube	5	RD-14 Seat Support Tube, LH	1	993245
16	RD16 Lateral Seat Support Tube	5	RD-16 Seat Support Tube, LH	1	993345