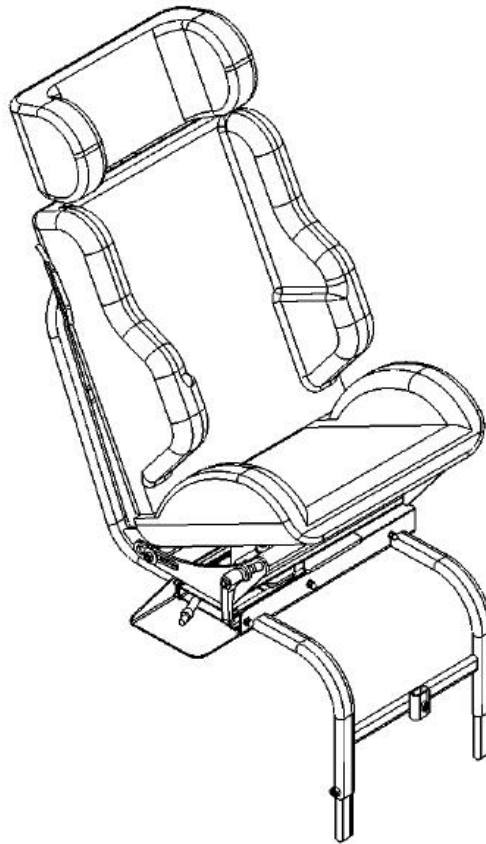


panda easyfit

English user manual

CONTENTS

Panda EasyFit	3
About isofix	4
Installation	5
Important	6
Safety	7
Warranty	8
Maintenance	8
Panda Easyfit with Easyfit-mounting system	9
Panda Easyfit with Evo-bracing strap	10
Using the Panda Easyfit	11
Footrest	12
Other size of Panda seat for Panda Easyfit.....	13
5-Point fixation belt.....	14
Product identification	15
Description of Panda Easyfit parts	16
Measurements.....	17
Technical data.....	17
Manufacturer	17



PANDA EASYFIT

The Panda Easyfit is a car seat designed for children with a body weight of 9 to 36 kg. The Panda seat (4 sizes) on the Easyfit frame can be turned and slid, partly, out of the car. This to make it easier to transfer physically and/or mentally challenged children into and out of the vehicle. The Panda seat on the Easyfit frame has a tilt-in-space between 15-30 degrees.

The Panda Easyfit is available with two different mounting systems:

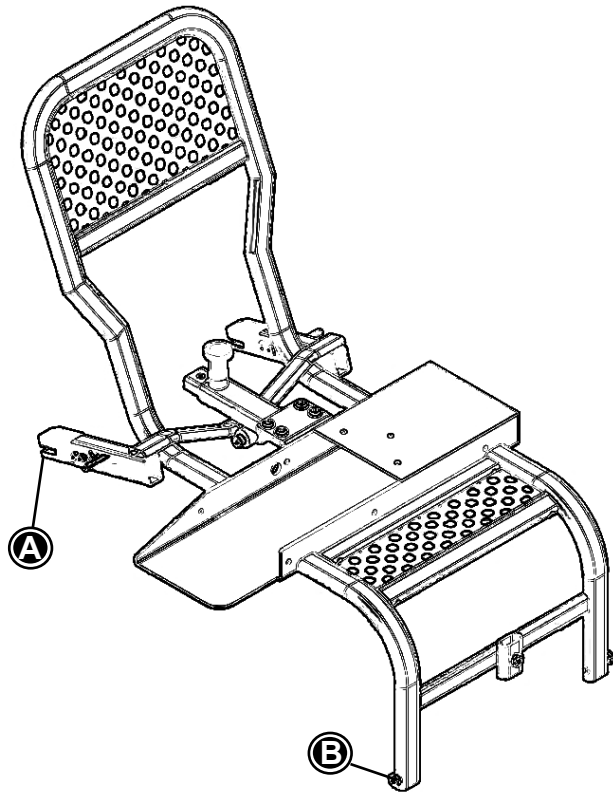
- EasyFit-mounting system for rear seats in a 4 door-vehicle with a Isofix-anchorage system on the outer rear seats.

or

- Evo-bracing strap system (for cars without the Isofix-system).

Both systems are available in a right or left swing-out model. It is not possible to rebuild the Easyfit frame from left to right swing-out.

The Panda Easyfit is approved according to the most recent European ECE 44.04 requirements and is “side Impact” tested to the ISO/DIS 14646 norm.



ABOUT ISOFIX

The Panda Easyfit with the Easyfit-mounting system makes use of the ISOFIX anchorage points in the vehicle and the child needs to be securely strapped in the 3-point safety belt of the vehicle. In this way you can count on the optimum force distribution during a collision, also sideways. Due to the optimum place of the 3-point safety belt that will protect the child together with the Side Impact headrest.

ISOFIX is a firm way of fixation with regulated anchorage points for safe and easy mounting of car seats in vehicles. It has become the international standard for all car manufacturers and car seat producers. This way of anchoring the car seat with catch arms (A) minimizes mistakes when mounting the car seat on the rear seat of the car. It also optimizes the protection by the fixed way of mounting between the car seat and the vehicle. The adjustment legs of the Easyfit frame (B) will help to keep it fixed in the right position, also during a collision.



According to the European regulations since February 2006 new car models should be equipped with ISOFIX on at least two rear seats. And from February 2011 all new cars should be equipped with ISOFIX on the two outer rear seats.

INSTALLATION

Only dealers in the rehabilitation industry and specialist car adaptation companies are allowed to integrate the Panda Easyfit into vehicles. In order to avoid incorrect installation, this manual must be followed step by step.

Incorrect installation can cause dangerous and life-threatening situations. If you have any doubts regarding the integration of the Panda Easyfit into your vehicle, you should contact your local dealer or the importer or manufacturer.

The shape of the frame and the method of installation may leave marks in the upholstery over time. To avoid this, you may want to place protection pads or positioning pads (available throughout your dealer) on your seat and back. Also, in some cases, the guide plate may have to be shortened in order to close the rear door properly.

IMPORTANT


- It is very important to choose a Panda seat in the right size to suit your child. If in doubt, contact your local dealer.
- Always keep the Panda Easyfit secure using the vehicle's three-point seat belt, even when the child is not using the car seat, so it cannot be flung through the vehicle in case of a collision. The Evo-bracing strap or Easyfit-mounting system alone is not enough!
- It is not allowed to modify the Panda Easyfit. Any modification will lead to the Panda Easyfit losing its ECE-44.04 certificate.
- Should any modification be necessary in connection with the particular handicap of your child, please submit a request for dispensation to the appropriate, competent authority.
- Never leave your child alone or unattended in your vehicle.
- Lead the three-point seat belt correctly across the child's shoulder and hips. Make sure that the lap section does not run across the child's stomach.
- Make sure that the straps run tightly across the child's body.
- The Panda Easyfit has to be turned back in and locked during transport and strapped with the 3-point belt from the vehicle.
- Ensure that no parts of the Panda Easyfit are damaged during use. Have the Panda Easyfit checked if it does not perform properly.
- The metal parts of the Panda Easyfit may become hot in the sun. Therefore, contact between skin and the metal parts has to be avoided as it may cause blisters.
- After an accident, the Panda Easyfit may be damaged, even if not visible. Have the Panda Easyfit (frame, car seat and bracing strap) checked, and replace it if necessary.
- The Panda Easyfit may be fitted with original accessories and parts only, otherwise the certificate will be void.
- There are several accessories available, such as a 5-point fixation-belt, thickened side cushions, protection pads, positioning pads, multiple headrests and a footrest. Standard Panda accessories must not be used because the certificate would then be lost.
- Luggage has to be properly stored and secured during transport, as it may be flung across the vehicle during a sudden stop and cause serious injury to the vehicle's occupants.


SAFETY

The Panda Easyfit has the CE mark and is ECE 44.04 certified. This means that this product meets all relevant European safety requirements.

This car seat belongs to the category “Special Needs Restraints” for groups 1, 2 and 3 (9-36kg). The Panda Easyfit is approved for use in the rear seat and the front passenger seat of vehicles. These seats have to be equipped with ECE-approved 3-point (lap-and-diagonal) seat belts. The safest place for installing the Panda Easyfit is the left-hand rear seat of the vehicle (pavement side). If installation in the front passenger seat is chosen, the airbag, if any, must be deactivated. This is to be done by an official car dealer. After installing and tightening the bracing strap, do not move the front passenger seat any more, otherwise the bracing strap will not be positioned correctly.

No alterations may be made to the Panda Easyfit, as these would lead to the ECE 44.04 certificate being void. Should any modification be necessary in connection with the particular handicap of your child, the parents should submit a request for dispensation to the competent authority and the orange ECE sticker must be removed.

 Never leave your child unattended in this product. Ensure constant supervision by an adult. Incorrect use of the product, may cause serious injury to the user.

 Make sure that all fixations are fitted correctly and checked before every use.

WARRANTY

R82 offers a 5-year warranty on frame breakages only. Furthermore R82 offers a warranty against defects in manufacturing and materials according to the national rules and regulations or as stated in the sales and delivery terms from the dealer where the product is purchased. These could include the fact that the warranty could be affected by the customers responsibility of servicing and maintaining the product according to the intervals prescribed in the manual.

The warranty can only be sustained if the R82 product is in use in the same country where it was purchased and if the product can be identified by the serial number and also that all conditions of customer responsibility have been met. The warranty does not cover accidental damage, including damage caused by misuse or neglect. The warranty does not extend to non-durable parts, which are subject to normal wear and tear and need periodic replacement. The warranty is null and void if non original R82 parts/accessories are used, or if the product is repaired or changed by anyone other than an authorized R82 representative.

R82 reserve the right to inspect the product being claimed for and the relevant documentation before agreeing the warranty claim.

The warranty is given by the R82 dealer or subsequently an R82 representative.

MAINTENANCE

The metal parts of the Panda Easyfit can best be cleaned with a moist cloth. The upholstery of the Panda seat can be washed in accordance with the instructions on the sewn-in label.



Do not use any cleaning materials containing chlorine or methylated spirit or any abrasive products.



Adjustments which are not described in this manual, may only be made by authorized R82 personnel.

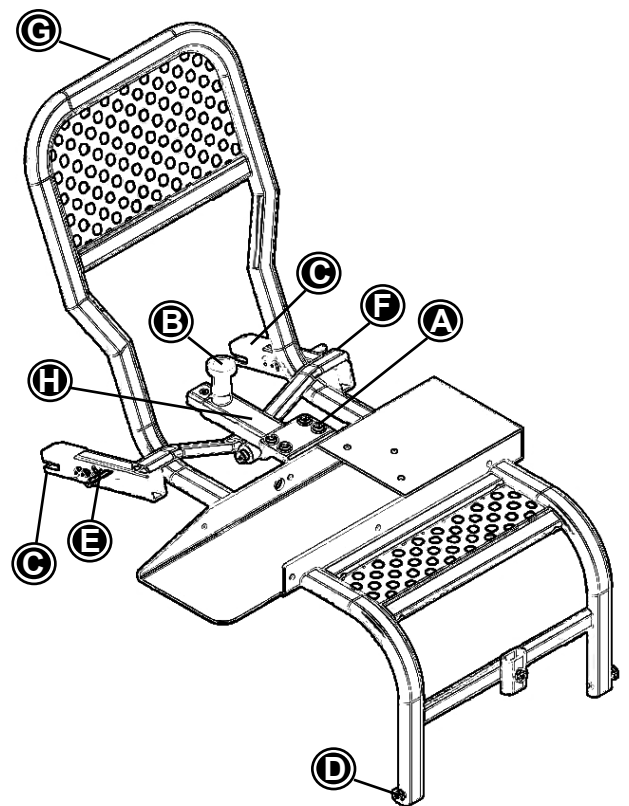
PANDA EASYFIT WITH EASYFIT-MOUNTING SYSTEM

Installation in the vehicle (with Isofix):

1. Mount the Easyfit-system on the Easyfit frame with the 4 screws (A).
2. Before mounting the Panda Easyfit it is needed to extend the Easyfit-mounting system (F) towards the frame of the Panda Easyfit (G) as much as possible. Pull the central orange knob (B) up and pull out the Easyfit-system.
3. Cover the seat of the car with the protection pad to prevent pressure spots on the seat.
4. Place the Panda Easyfit on the seat of the car and slide both catch arms (C) of the Easyfit-mounting system onto the Isofix anchorage points till both catch arms are locked with a clear click.
5. Pull the central orange knob (B) up and move the Panda Easyfit simultaneous to the back of the car seat. Let the central orange knob (B) loose when the shortest position is reached of the "positioning tube" (H). This length will vary depending on the length of the seat of the car. With this action you will position the Panda Easyfit in your car.
6. Loosen the Allen bolts of the adjustment legs (D) of the Panda Easyfit. The legs will slide down to the bottom of the car. When both legs are completely down, tighten the Allen bolts again.
7. Check if the Panda Easyfit is in horizontal position. If not, repeat steps 4, 5 and 6.
8. Check if the Panda Easyfit works properly, and if it locks both in swing-out position and in its starting position in the vehicle. You should hear a clear click.

Removal from the vehicle:

1. Dismount the Panda Easyfit by pulling backwards the two horizontal orange triggers (E) on the catch arms (C). This will unlock the Easyfit-mounting system from the Isofix anchorage points of the car.
2. Take out carefully the Panda Easyfit and place it in a safe place.



PANDA EASYFIT WITH EVO-BRACING STRAP

Installation in the vehicle (with straps):

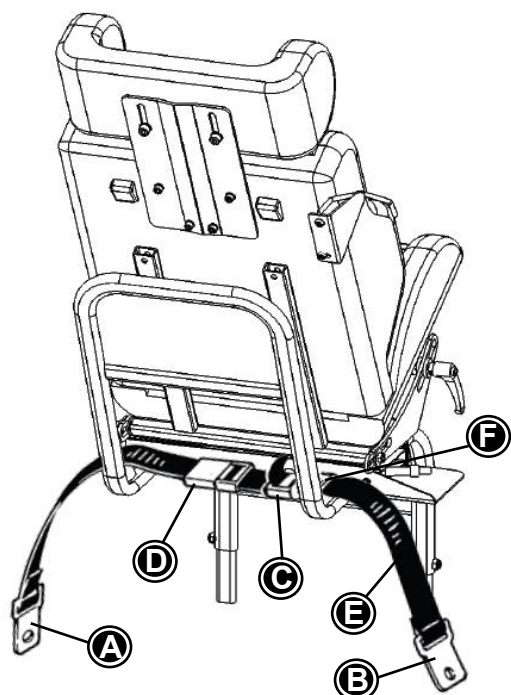
1. Mount the two bracing strap holders (F) on the Easyfit frame for the right position of the Evo-bracing strap.
2. Remove the rear seat from the vehicle or fold it forward to access the seat belt mounting points. On the right side (or, depending on the model, on the left side), disassemble the two fixing plates of the 3-point seat belt that are fixed to the bottom of the car.
3. With front seat installation: disassemble the two fixing points of the lap belt section that are fixed to the car's floor or to the front passenger seat. If in doubt as to whether these points are suitable for fixing the Panda Easyfit, please contact the car dealer or importer / distributor.
4. Mount the fixing plates (A and B) of the Evo-bracing strap (E) underneath the existing fixing plates of the 3-point seat belt. Ensure that the tensioning element (the ratchet (C)) is located to the right (with right-hand installation) or to the left (with left-hand installation), so that the Panda Easyfit, when turned outward, will not touch the ratchet (C).
5. When tightening the bolts to the chassis of the vehicle, normally a torque wrench is needed. please find the correct moment of force in the instruction manual from the car or ask at the local garage. After mounting the fixing plates of the bracing strap, the effective thread lengths of the strap fixing bolts must be at least 1.5 times the length that goes through the nut.
6. Now tighten these bolts with the appropriate torque to prevent them from being loosened by vibration.
7. Position the Panda Easyfit on the seat, e.g.

with the positioning pads between the seat and the frame. The wedge pad should be under the seat.

8. Loosen the Allen screws of the adjustment legs of the Panda Easyfit. The legs will slide down to the bottom of the car. When both legs are completely down, tighten the Allen screws again.
9. Lead the bracing strap over the tube frame, in front of the bracing strap holder (F), and insert it into the adjustment buckle (D) inside out. Pull until the tensioning element (the ratchet (C)) has enough room to be tensioned.
10. Check if the Panda Easyfit is in horizontal position. If not, repeat steps 7, 8 and 9.

Removal from the vehicle:

1. Dismount the Panda Easyfit by unlocking the adjustment buckle (D) so the bracing strap can be released. After this the tensioning element (ratchet) (C) can be opened and the bracing strap can be pulled out.
2. Take out carefully the Panda Easyfit and place it in a safe place.



USING THE PANDA EASYFIT

Pull the handle until it is released, and pull the Panda Easyfit slightly outward. Turn the Panda seat outwards by 90° and pull the Panda Easyfit further until it locks into position with a clear "click".

Place your child firmly against the back of the Panda Easyfit. You may want to give your child extra support with a 5-point fixation belt (accessory).

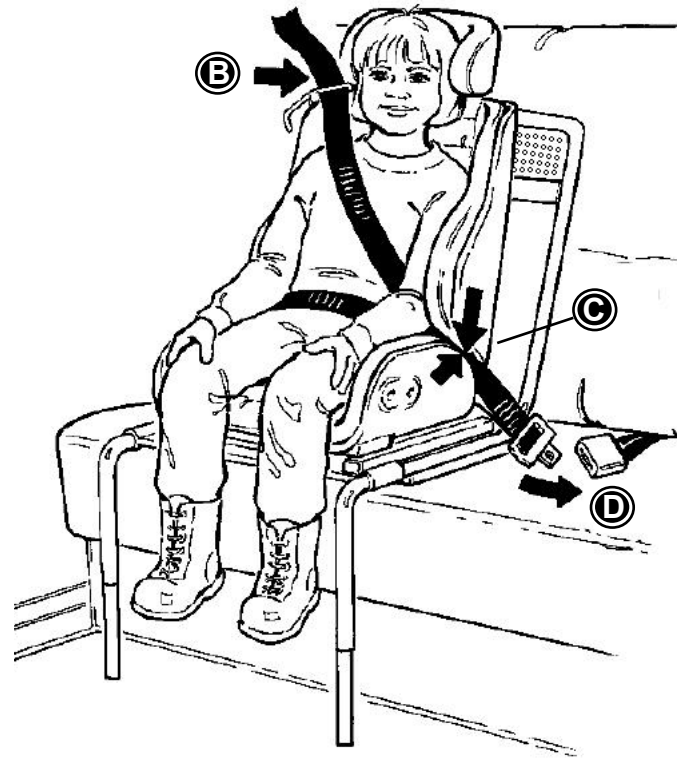
Unlock the Panda Easyfit by pulling the handle again and slide and turn the seat with your child in it into the car, returning it to its original position with a clear "click". Before the Panda Easyfit locks, turn it back into the forward-facing position, and push it further inwards until it clicks into its locked position.

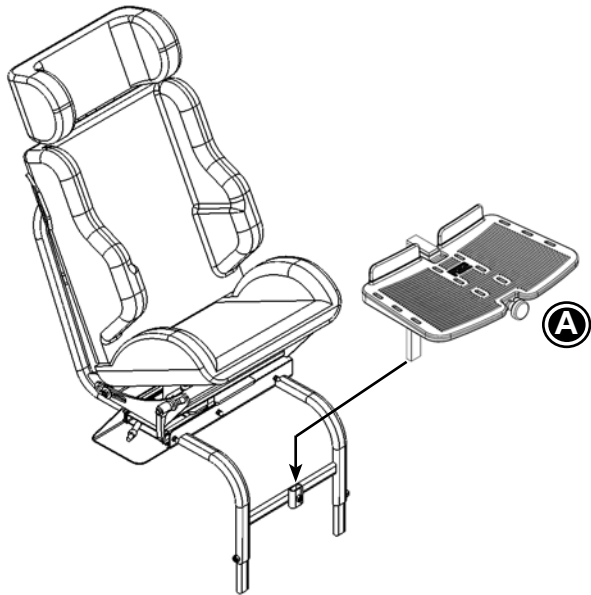
The following instructions must be strictly followed:

- Place the child firmly against the back of the car seat, so you can lead the 3-point seat belt across the front of your child properly.
- The 5-point fixation belt must have been fixed correctly.
- Lead the diagonal strap through the strap guide (B) across the shoulder of your child.*
- Lay the lap strap over your child's hips, in between the back and the seat (C).
- Now push the tongue plate into the buckle to lock the 3-point seat belt (D).

* Lead the diagonal strap through either the lower or the higher strap guide, depending on the height of your child's shoulder. Ensure that the strap does not run too closely to the neck, nor too low below the shoulder (see drawing).

For extra comfort, you may want to provide the diagonal strap with a protective cover at neck level or the "low" side of the guidance holder, depending on how it fits the child's shoulder (see drawing).





FOOTREST

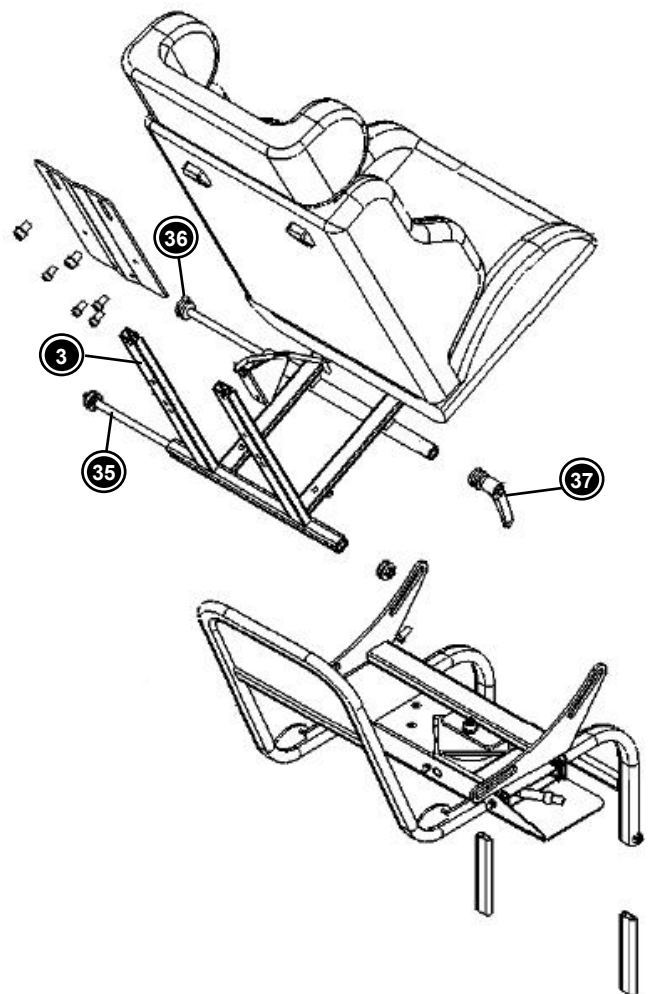
Slide the footrest into the holder on the lower front frame tube of the Panda Easyfit . Fasten the footrest with the handle. The footrest can fold up, and its angle can be adjusted using the turning knob in the front. The height can be adjusted by loosening the hexagon head bolt, sliding the footrest to the desired height, and bolting it down again.

If the footrest is positioned too high, the turning section will touch on the footrest. So, in such a position, the footrest cannot be used.

OTHER SIZE OF PANDA SEAT FOR PANDA EASYFIT

If you change the size of the seat, you also need to change the adapter. Please follow instructions below:

- Unscrew the Italian handle (37) totally.
- Pull the front mounting rod (36) totally out of the adapter tube (take care that the metal washers and plastic bearing bushes stay together).
- Remove the plastic covers from the nuts on the rear mounting rod (35).
- Loosen the nut and remove the rear mounting rod (35) totally (take care that the plastic washers and plastic bearing bushes stay together).
- The adapter (3) with the Panda seat unit is separated now and can be removed.
- Place the new adapter with the other size Panda seat unit between the Easyfit frame and place the rear mounting rod (35) through the adapter tube (take care that the plastic bearing bushes and washers are in the right position again).
- Mount the nut on the rear mounting rod (35) and do not tighten this nut too much (adapter (3) should move freely through the slots).
- Place the two plastic caps on the nuts.
- Place the front mounting rod (36) in the adapter tube and tighten the Italian handle (take care that the plastic bearing bushes and washers are in the right position again).



! IMPORTANT! The plastic washers should be mounted on the rear mounting rod (35) and the thick metal washers should be mounted on the front mounting rod (36).

5-POINT FIXATION BELT

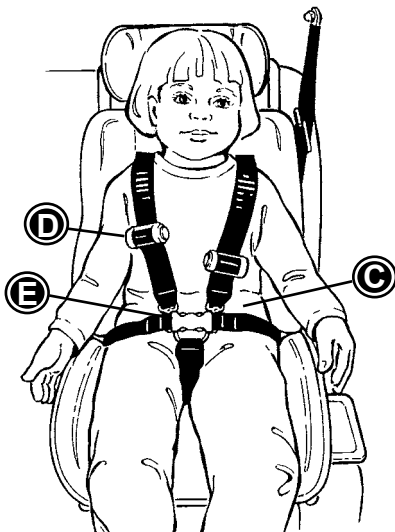
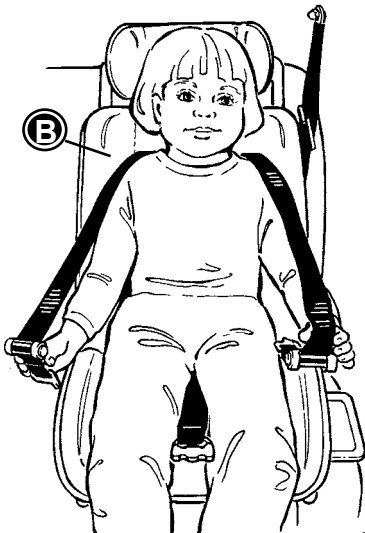
The 5-point fixation system is specially designed for the Panda Easyfit, being the only additional fixation that is allowed for this car seat. The 5-point fixation belt is NOT a safety belt – it is merely intended to support your child in the right position in the car seat.

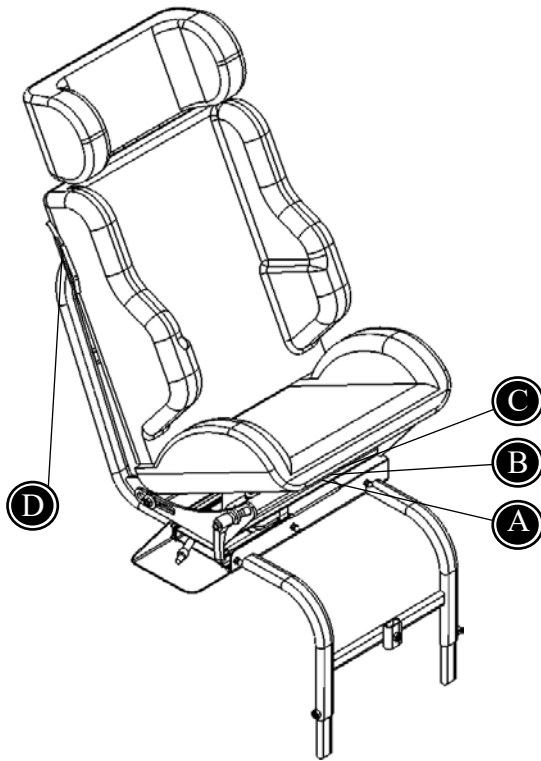
! ALWAYS use the vehicle's 3-point (lap-and-diagonal) seat belt, even when the child is not in the car seat!

The 5-point fixation belt is mounted in the car seat with 6 fixlock clips that are slid across the straps. The straps must be mounted through the back cushion at the correct shoulder height (B), led backwards over the hips (C), and then be fixed.

1. Place your child against the back of the car seat. Loosen the shoulder straps completely by pushing in the white buttons (D) on the rolling mechanisms and moving these mechanisms forward. This allows your child to move his or her arms underneath the shoulder straps more easily.
2. Take the plastic crotch strap buckle (E) and push the lap strap tongue plates into the buckle. Now push in the white buttons of the rolling mechanisms, so that the shoulder straps roll up and are tightened. Check whether the 5-point fixation belt fits your child well.
3. Now place the vehicle's 3-point seat belt (F) across your child, and lock it. Make sure that the lap and diagonal straps are correctly positioned. The left and right rolling mechanisms (D) are deliberately positioned at different heights to ensure that the diagonal strap can be led between them. Make sure that the diagonal strap does not run over either of the rolling mechanisms!

! If any other fixation system is used in the Panda Easyfit, this will lead to the ECE 44.04 certificate being lost.





PRODUCT IDENTIFICATION

A CE mark/Product identification.

B Manufacturer: this label is attached to the inside of the lower frame.

C Serial number: this label is attached to the inside of the lower frame.

D Class and approval number: this label is attached to the outside of the seat /under the seat belt guide.

A

PEEREBOOM Spieringweg 931
2136 LK Zwaanshoek
The Netherlands
T: +31 (0)23 561 73 19
F: +31 (0)23 563 94 99
E: info@peereboom.com
I: www.peereboom.com

+31 (0)23 561 73 19

CE

△ MAX 9-36 KG
Version: ECE R44/04

Type PSOS
SN xxxxxxxx 10-06-2006

B

R82®

Parallelvej 3
DK-8751 Gedved
R82.org
Made in Denmark YYY-MM-DD

CE

C

SN XXXXXX Max load: xxx kg
DMR ver.: XXXX
Art. no.: XXXXXXX
Product: XXXXXXX - Size X


(xx)xxxxxxxxxxxxxxxx(xx)xxxxxxxx(xx)xxxxxx

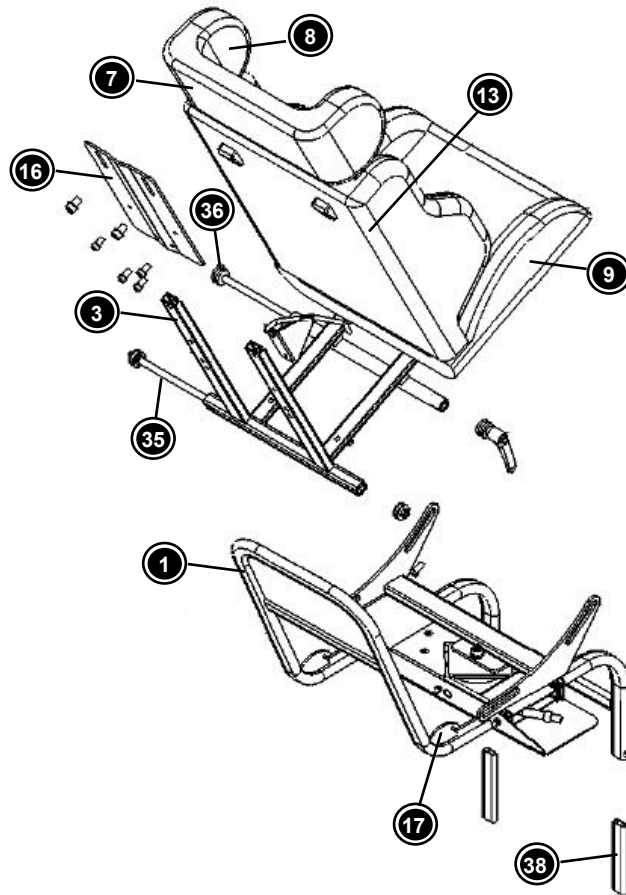
D

PANDA
EASYFIT EN BASIC
ECE R44/04
SPECIAL NEEDS
9-36 KG

E4

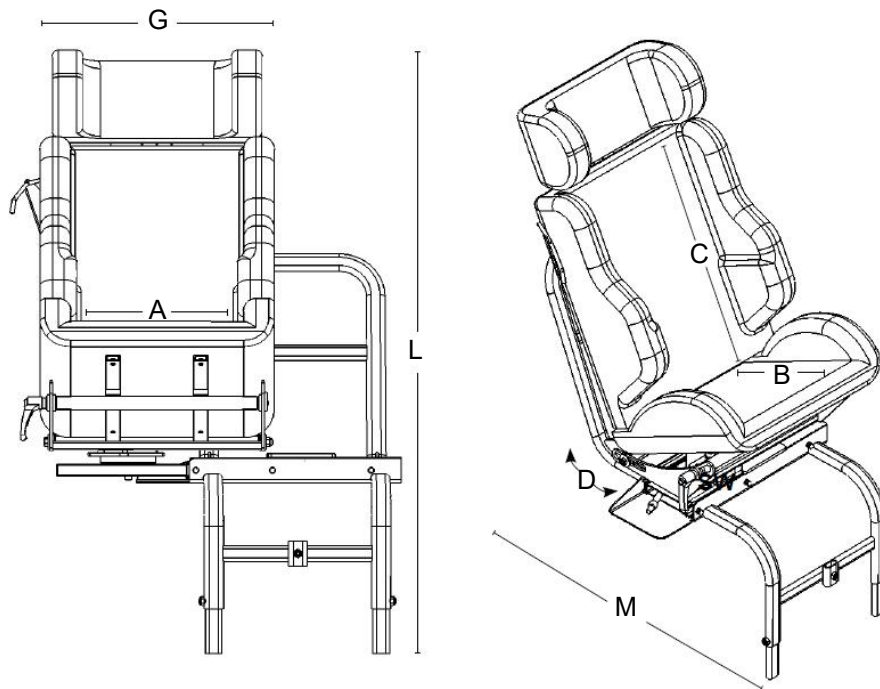
044436095
000002

G
B



DESCRIPTION OF PANDA EASYFIT PARTS

- 1 Car Seat Easyfit frame (left or right)
- 3 Adapter Easyfit (4 sizes)
- 7 Side Impact headrest
- 8 Cover for side Impact headrest
- 9 Panda Car Seat (4 sizes)
- 13 Strap guide (left or right)
- 16 Easyfit headrest fixing plate
- 17 Evo-bracing strap holder (only with Evo-bracing strap)
- 35 Mounting rod, back
- 36 Mounting rod, front
- 38 Adjustment legs



MEASUREMENTS

	Panda 2 Panda Easyfit	Panda 2½ Panda Easyfit	Panda 3 Panda Easyfit	Panda 4 Panda Easyfit
Seat Width (A)	220 mm (8½")	250 mm (9¾")	290 mm (11¼")	320 mm (12½")
Seat depth (B)	240 mm (9¼")	280 mm (11")	310 mm (12")	360 mm (14")
Back height (C)	390 mm (15¼")	410 mm (16")	440 mm (17½")	520 mm (20¼")
Tilt in space (D)	20°-35°	20°-35°	20°-35°	20°-35°
Total width (G)	450 mm (17½")	450 mm (17½")	450 mm (17½")	450 mm (17½")
Total length (H)	580 mm (22½")	580 mm (22½")	580 mm (22½")	580 mm (22½")
Seat height, back	160 mm (6¼")	160 mm (6¼")	160 mm (6¼")	160 mm (6¼")
Total height (I)	850 mm (33¼")	850 mm (33¼")	850 mm (33¼")	850 mm (33¼")
Total weight	18 kg (39½ lb)	19 kg (41¾ lb)	19 kg (41¾ lb)	20 kg (44 lb)
Min. load	9 kg (19¾ lb)	9 kg (19¾ lb)	9 kg (19¾ lb)	9 kg (19¾ lb)
Max. load	36 kg (79¼ lb)	36 kg (79¼ lb)	36 kg (79¼ lb)	36 kg (79¼ lb)

TECHNICAL DATA

Frame:	Steel, powder coated
Shell:	ABS
Foam:	Fire-resistant polyurethane
Fabric:	Fire-resistant Trevira CS

MANUFACTURER

R82 A/S
 Parallevej 3
 DK - 8751 Gedved

