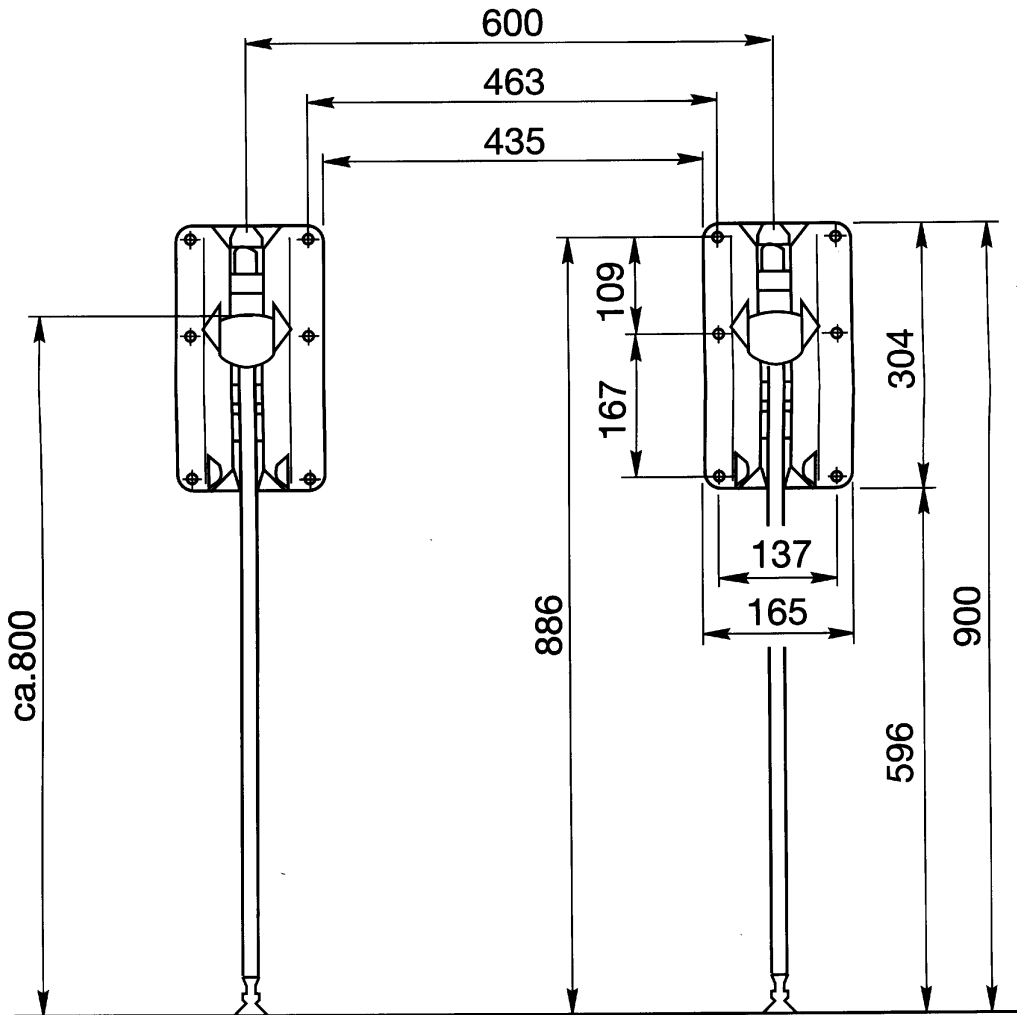


8030 3001

Toalettarmstöd Optima
Toilet armrest Optima
Toilettenarmlehne Optima



Alla mått i mm.
All measurements in mm
Sämtliche Masse in mm

78419A

08-02-27

Etac

P.O BOX 203, SE-334 24 Anderstorp, Sweden

TELEPHONE CUSTOMER SERVICE +46-371-58 73 30 FAX CUSTOMER SERVICE +46 371 58 73 90

E-MAIL info@etac.se HOMEPAGE www.etac.com



etac[®]