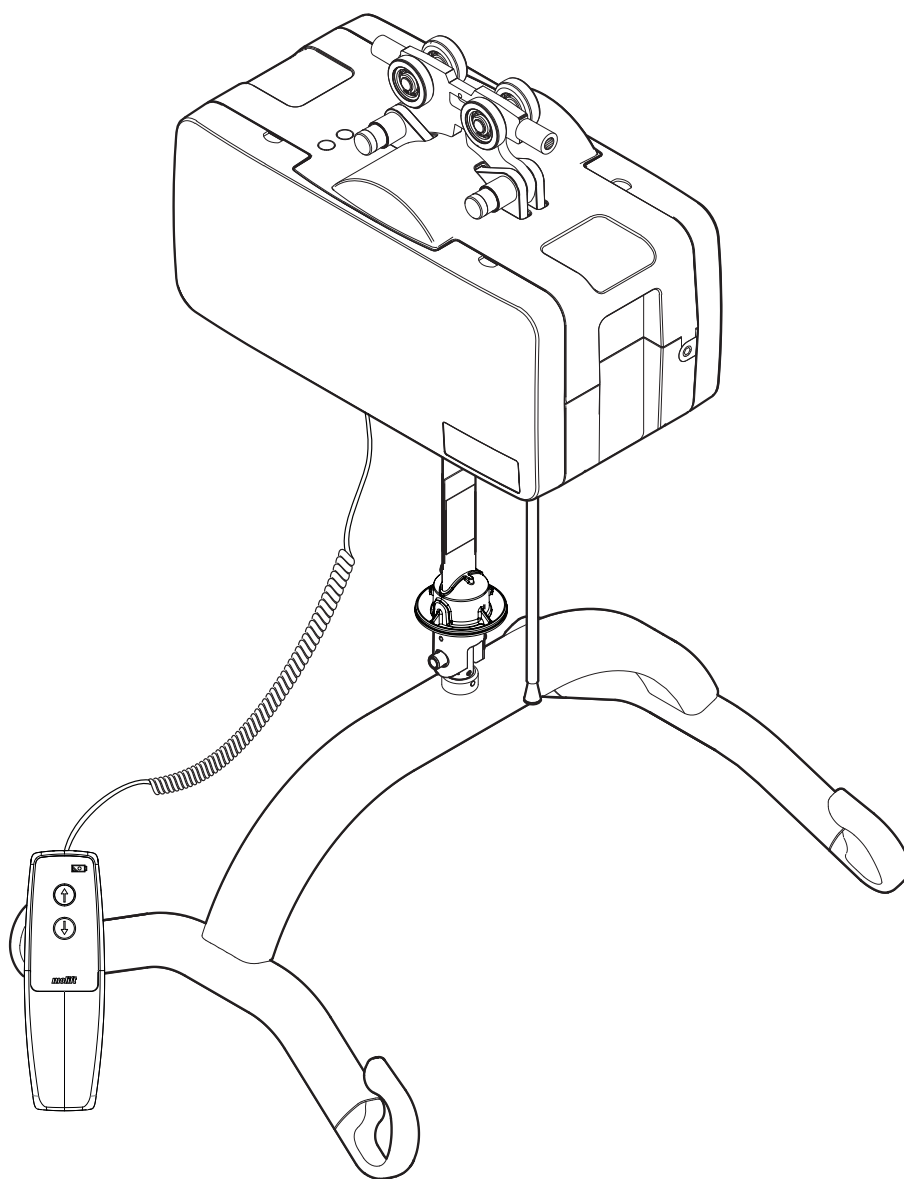


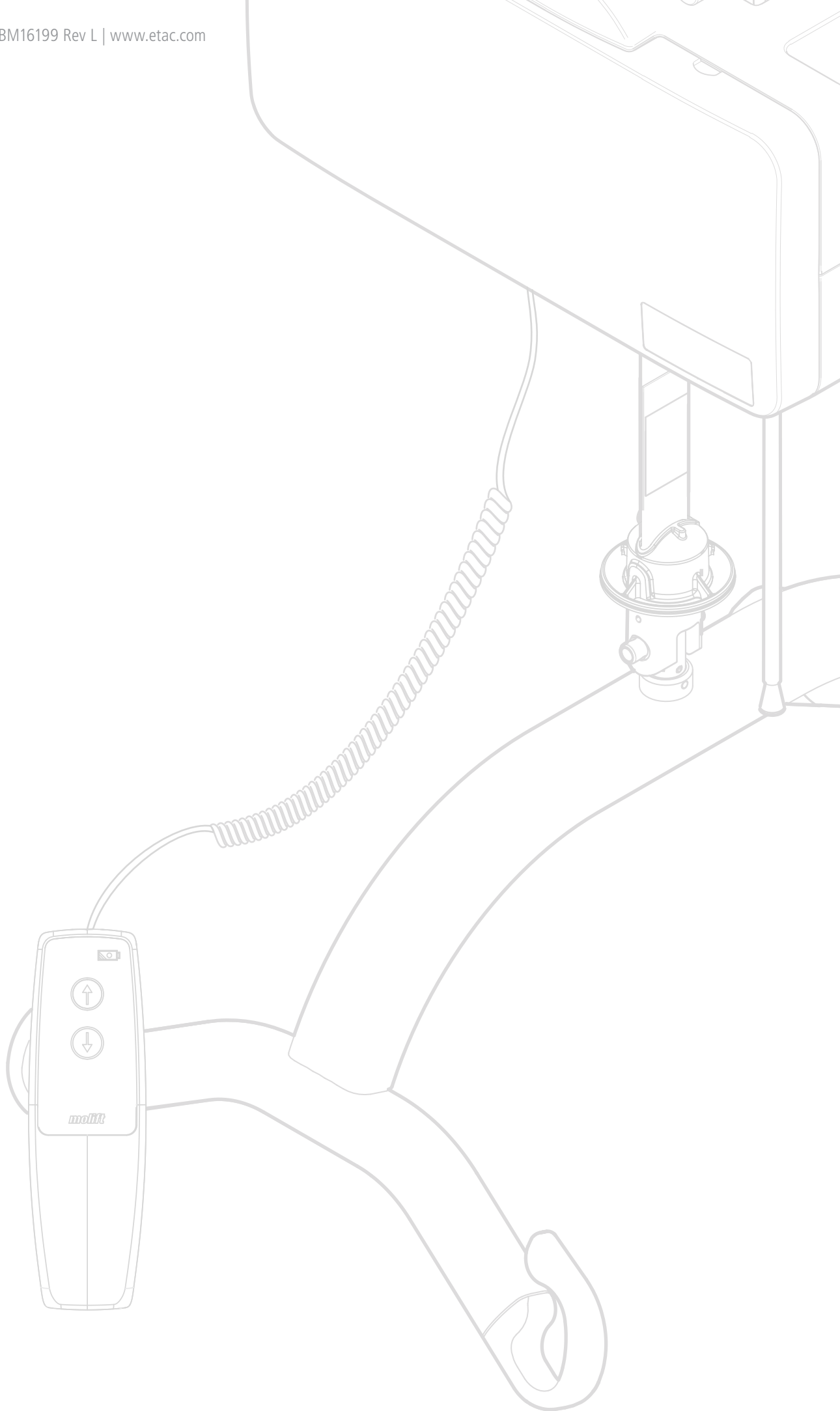
Molift Air 200 / 350

molift[®]
by Etac

User Manual - Bruksanvisning - Brukermanual - Brugervejledning - Käyttö-
pas - Bedienungsanleitung - Gebruikershandleiding - Manuel d'utilisation
- Manuale per l'utente - Manual de usuario - Příručka pro uživatele

BM16199 Rev. L 2024-02-14







Contents

User manual - English	- 1
Gebrauchsanweisung - Deutsch	- 13
Brukermanual - Norsk	- 27
Bruksanvisning - Svenska	- 39
Käyttöohje - Suomi	- 51
Manual utente - Italiano	- 63
Manual d`utilisation - Francais	- 75
Manual de usuario - Español	- 87
Handleiding - Nederlands	- 99
Brugsvejledning - Dansk	- 111
Příručka pro uživatele - Čeština	- 123

Important

This User Manual contains important safety instructions and information regarding the use of the sling and accessories. In this manual the user is the person being lifted. The carer is the person operating the hoist.



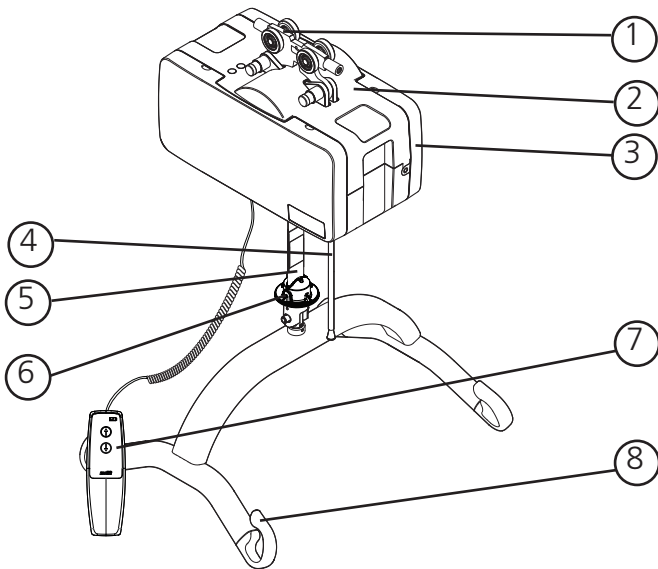
This symbol indicates important information related to safety. Follow these instructions carefully.



Read User Manual before use!
It is important to fully understand the content of the user manual before attempting to use the equipment.

Visit www.etac.com for download of documentation to ensure you have the latest version.

Molift Air 200/350



Hoist components:

1. Trolley
2. Hoist
3. Side covers
4. Emergency stop/ Emergency lowering
5. Lifting belt
6. Quick release pin
7. Hand control
8. Sling bar

About Molift Air

Molift Air is a strong and smooth ceiling lift that enables users and residences to be transferred in a comfortable and safe way. Suitable for sitting and lateral transfers as well as standing and gait training situations together with the comprehensive accessory program from Molift.

Molift Air is a very light motor which in combination with the quick release coupling system gives an easy handling when mounting and servicing.

General



CE declaration

The product, and its related accessories, described in this instruction for use (IFU), is in compliance with the regulation (EU) 2017/745 of 5. April 2017 – as a medical device, risk class I.

The product has been tested and approved by a third party according to standards IEC 60601-1, IEC 60601-1-2 and EN/ISO 10535:2021.

Any serious incident that occurs in relation to the device should be reported to the manufacturer and the competent authority of the Member State in which the user and/ or patient is established.

Conditions for Use

Lift and transfer of a user will always pose a certain risk and only trained personnel are allowed to use the equipment and accessories covered by this user manual. The rail system must be installed by certified personnel in accordance with applicable installation instructions. The hoist is not intended to be operated by the user being lifted.

Modifications and use of components made by other manufacturers.

We recommend only using Molift components and spare parts. Declaration of conformity is not valid and Etac is not responsible for warranty if any modifications are made to the product. Etac shall not be liable for faults or accidents that can occur when using components made by other manufacturers. It can be unsafe to use accessories, detachable parts and materials that is not listed in this user manual.



Only certified personnel are allowed to open hoist or accessories to perform service or repAir. Risk of injury from rotating parts and electric shock.



Warranty notice

Two-year warranty against defects in workmanship and materials of our products. One-year warranty for batteries. Please refer to www.etac.com for terms and conditions.

Definitions

The person described as “the user” in this Instruction for Use is the person who is sitting in the product. “The carer” is the person who manoeuvres the product.

Intended purpose

To be used for lifting and transferring users, who require support to be lifted or transferred within a rail system; e.g. to/from a bed, the floor, a wheelchAir, a shower commode chAir, a toilet or similar. Also for gait training in combination with ambulating vest.

Intended target group

Used for users who require support to be lifted and transferred; e.g. persons with limited ability to move and who require body support during transfers. Not an exhaustive list.

Intended environment

For indoor use within a rail system in acute care, long term care, home care.

Indications

The device can be used for children, adults and elderly people with a need for support to be lifted and transferred, or when gait training, within a railsystem.

The target group for the device is based on individual health and mobility function, and not a specific diagnose or age.

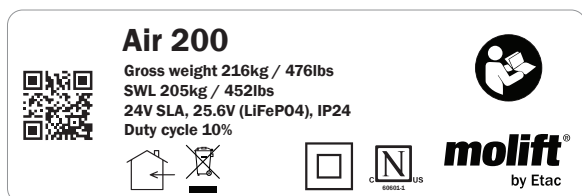
Contra indications

There are no known contra indications regarding the hoist, but make sure the sling fits the user.

Product identification













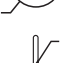






Product label

The Product labels barcode contain article number, serial number and production date:



Warning labels and Symbols

Symbols used on the product, explained in more detail:

-  Class II double insulated
-  CE marked
-  Refer to user manual
-  Indoor Use only
-  Max user weight
255 kg / 560 lbs
-  Do not dispose in general waste
-  Emergency stop/
Emergency lowering
-  Service Light
-  Battery Light
-  Hex tool symbol for
Manual Emergency lowering
-  Certification Body mark
c N us
0601-1
-  Humidity limitation
-  Atmospheric pressure limitation
-  Temperature limitation
-  Manufacturer
-  Date of manufacture
YYYY-MM-DD
-  REF Catalogue number
-  SN Serial number
-  MD Medical Device

EN
DE
NO
SV
FI
IT
FR
ES
NL
DA
CZ

Technical data

Safe Working Load (SWL)

Molift Air 200: SWL = 205 kg (450 lbs)
 Optional SWL range (setting) 160-205 kg
 Molift Air 350: SWL = 350 kg (771 lbs)
 Optional SWL range (setting) 160-350 kg

Weight of unit:

Chassis incl. battery, Excl. sling bar:
 8,56 kg (18,87 lbs)
 4-point Medium Sling bar: 2,2 kg/4.8 lbs

Battery:

Art: 2920204 25.6 V LiFePO4 2.4 Ah
 Art: 2920007 12 V SLA 2.9 Ah

Battery charger:

Charger for handcontrol, Mascot - type 3743
 Art. no.: 2540100
 100-240 V AC, 50-60 Hz max 0.5A
 Output 0.9A
 IRC Power Supply, Mascot - type 3721
 Art. no.: 2610119
 Input: 100-240 VAC, 50-60 Hz max 1.0A
 Output: 24VDC 1.75A/42W
 IRC Charger, Mascot - type 3844
 Art. no.: 2640200
 In: 20-30VDC 1.3A
 Output 0.5A

Lifting speed

60mm/second (2,36 inches/second)
 with 75kg (165,35 lbs) load

Propulsion motor speed

0,2m/second (7,87 inches/second)

Protection class

Hand control IP24
 Lift motor IP24

Sound pressure

52 dBA

Sound power (L_{WA})

63 dB

Operating forces button

Buttons on handset: 3.4 N

Material:

Aluminum, plastic, steel

Expected Lifetime:

The hoist has an expected lifetime of 30 000 cycles SWL or 10 years.

Dimensions:

L x W x H (Length, Width, Height without trolley)

36 x 19 x 19,5 cm

(14,2 x 7,5 x 7,7 inches)

A Air 200 Hoisting Range:

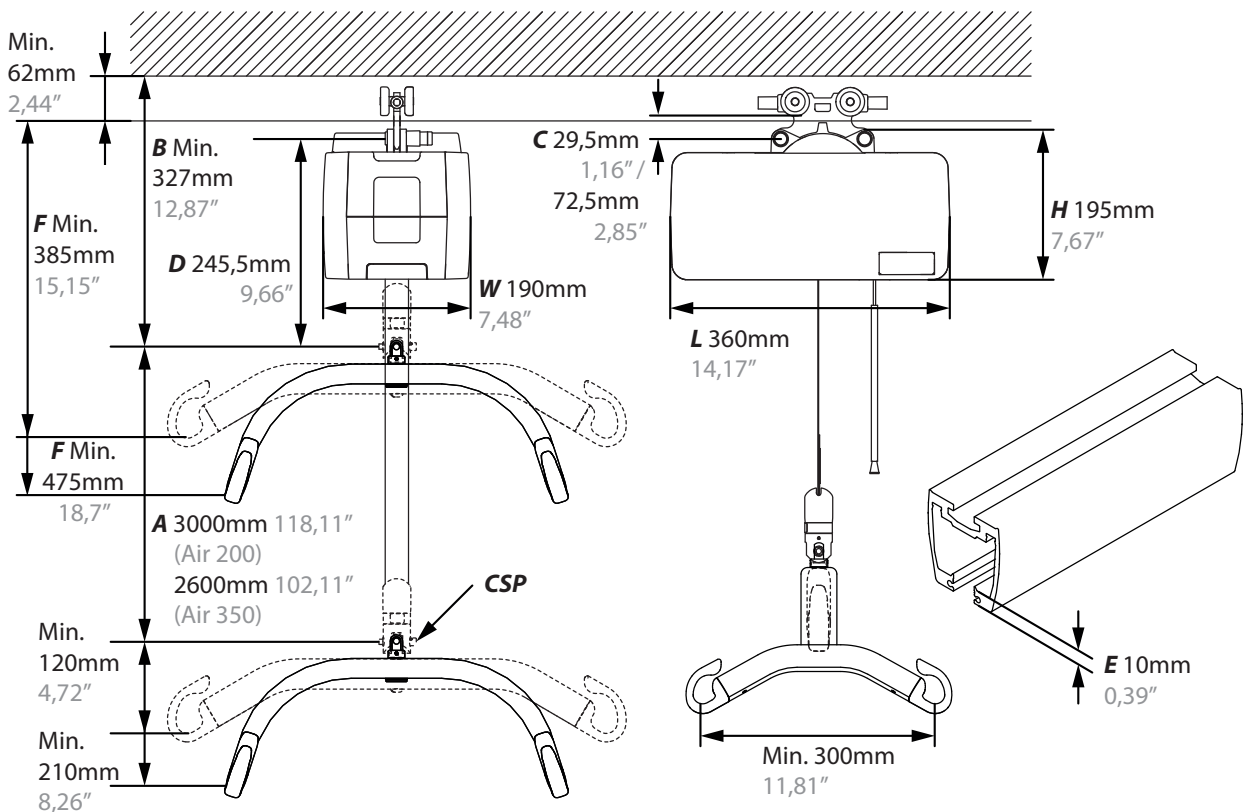
300 cm (118 Inches)

Air 350 Hoisting Range:

260 cm (102 Inches)


B (Minimum distance from ceiling to sling bar coupling point) 32,7 cm (12.7/8 Inches)


For extended information about technical data, how to preform service and repAir, see technical manual.



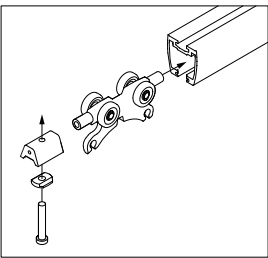
Installation

The hoist is marked with Safe Working Load (SWL), this should not exceed rail systems max load capacity.


 The rail system can only be installed by certified personnel in accordance with applicable installation instructions.

 Do not start using hoist before completing control according to checklist after installation.


Trolley installation

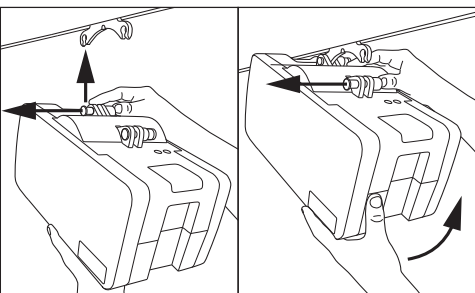


Mounting trolley in rail system. Remove End stop and insert Trolley into rail. Mount end stop, and make sure it is securely fastened. See BM3401 for installation details. Etac offers trolley for mounting Molift's lifts in rail systems from other manufacturers. Contact your local Etac representative for more information on trollys compatible with other manufacturers' rail systems.

 Make sure end stops are mounted in all ends of the Rail system before using the hoist!

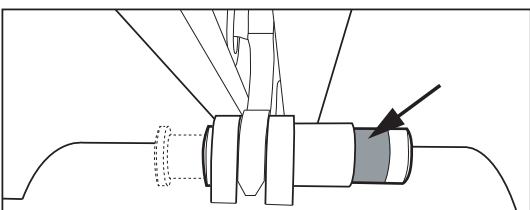
Hoist installation

 Be carefull during elevated work situations. We recomend two or more installers, to prevent loosing balance and injury during installation!



Mounting of hoist on trolley. No tools required. The hoist has two connection points.

Connect one point first. Push button all the way in, and place hoist in connection point on trolley. Release button and make sure it is clearly showing green before connecting the next point.



Make sure both connection point buttons completely return and clearly show green after installation. Emergency lowering cord and tube can be adjusted to the correct length (height) by cutting tube and cord.

Installation

Use this checklist to verify that the hoist is properly installed and can operate correctly and safely before use.

- End stops on rail are installed after mounting of trolley as described in BM3401
- Make sure that the hoist is properly fastened to the rail and that the lift does not have any loose parts.
- Perform one lift with load (60-80 kg)
- Make sure battery is fully charged.


How to use Molift Air


General Safety Precautions


Only use accessories and slings that are adjusted to fit the user, type of disability, size, weight and type of transfer.

Working pause ratio/ Duty Cycle.

Molift Air 200 / 350 should not be run constantly for more than 2 minutes (with maximum load), and rest for minimum 18 minutes. Duty Cycle 10%. (Intermittence according to standard ISO-EN 10535)

 Do not position hoist in a way that makes it difficult to disconnect mains cable. To isolate the system, pull out the main cable from the electrical wall socket.

 If maximum load (SWL) differs between hoist sling bar and body support unit, then the lowest maximum load shall always be used

 Molift hoists shall only be used to lift users. Never use the hoist to lift or move objects of any kind.

Before use / Daily check

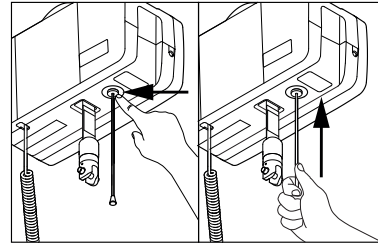
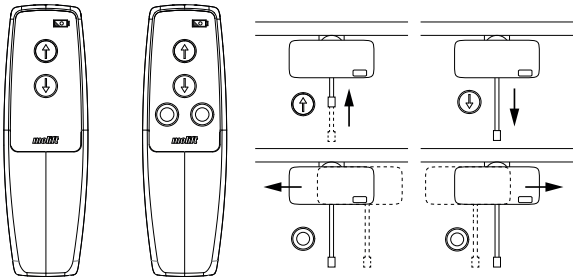
Inspection to be performed by carer daily or before use:

- Inspect hoist and rail system has no visible damage, defects or deformations
- Make sure sling bar connection and all detachable parts are properly connected and secured
- Test emergency stop button and emergency lowering
- Make sure battery indicator or service light is not illuminated
- Make sure lifting strap does not have visible damage or frays.
- Test run hoist's operation functions and make sure hoist does not make any abnormal sounds

If there are any faults or defects, the lift needs to be taken out of operation and marked "out of order". No parts on the Molift Air should be serviced or maintained while in use with a user.

Hand control

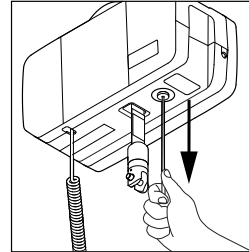
The Hand control has 2 buttons for lifting and lowering, or 4 buttons if the hoist is equipped with propulsion. The Hand control has an indicator light that will illuminate when battery level is low and the hoist requires charging



Push with finger or use tube on cord to push button back in to reset emergency stop.

Electrical Emergency Lowering

Pull and hold to start lowering. Hold until user is lowered and can be released from sling bar.



Do not pull Hand control to move the hoist along the rail



The lift will not work if hand control is connected to a charger. Disconnect hand control from charger before operating the lift.



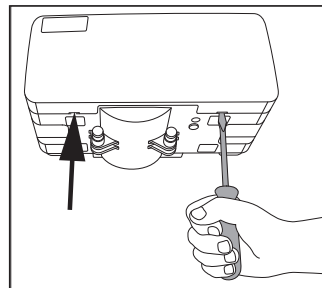
Only for emergency use when hand control does not work!

Manual Emergency lowering



Manual emergency lowering is only to be performed by service personnel!

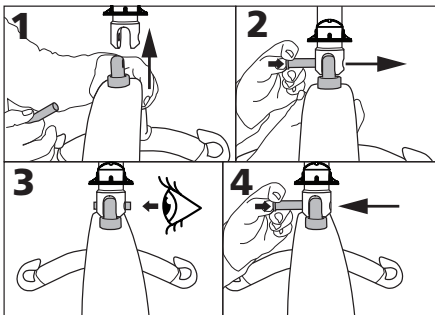
Allen key or bit for power drill can be found inside the lifter. Remove cover to locate.



Push down and press cover outwards with a flat screwdriver or coin in the two slots to open cover.

Locate sticker over the hole for manual emergency lowering. Punch hole or remove sticker and insert tool. Rotate counterclockwise to lower lifting belt. Using a power drill is recommended.

Mounting sling bar

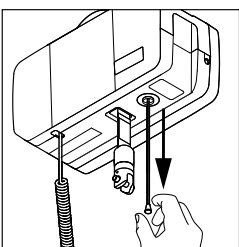


1. Align sling bar in connection point.
2. Push button on locking pin and insert all the way through.
3. Make sure locking pin is properly fastened
4. Push and hold down the button on the locking pin, and pull to remove locking pin.

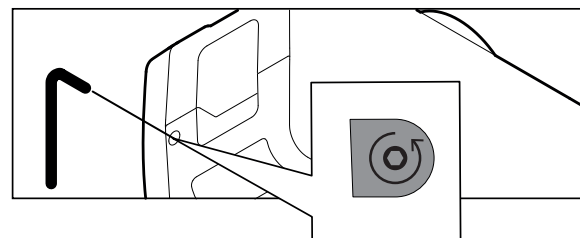
Emergency stop / emergency lowering

Emergency Stop

Activation and reset of emergency stop:



Pull to activate emergency stop. The button will come out, and hoist will stop.



Service is NOT required if:

- 1) the Air manual emergency down is used for a known reason, and
- 2) the belt is undamaged, and
- 3) the unit is operating normally after the manual emergency lowering procedure.

The new brake override will contribute to this by making emergency manual lowering less stressful to lift components.

If the unit have had a malfunction with unknown reason, and manual emergency lowering system has been used, Service is required.

Electronics

Transport and Storage

For long time storage it is recommended that the emergency stop button is activated (pulled out). The hoist can be stored and transported under temperatures between -25 - 70 °C.


Operating

The hoist is designed for use at standard room temperatures (+5 to +40°C).

Air Pressure: 70 - 106 kPa

Relative Humidity: 15 - 90 %

Following storage or transport at other temperatures leave the hoist in a room with a suitable temperature until it reaches a safe operating temperature.




Medical electrical equipment requires special precautions regarding electromagnetic compatibility (EMC). Portable or mobile radio communication equipment may affect the medical electrical equipment, and should be kept minimum 25 cm (10 inches) from the hoist's electronics.

Batteries


Molift Air 200/350 is available with 2 x 12V SLA battery or a 25.6V LiFePO4 battery.

The SLA battery has a life expectancy of approx. 500 charge cycles.

The LiFePO4 battery has a life expectancy of approx. 2000 charge cycles.





Recharge battery upon receipt, and then every six months, to avoid battery failure.



Batteries must be disposed of as special waste according to local rules and regulations. Do not dispose in general waste. Replacement of lithium batteries or fuel cells by inadequately trained personnel could result in a hazard







Battery and service indicator on hoist

	Wrench symbol / Service indicator
	Battery symbol / Battery indicator

The electrical system has a power-save function which will turn off the electrical system five minutes after last operation. All indicators will turn off. The system is activated when pushing one of the operating buttons on the hand control.

Battery indicator on hoist

When the multi level battery indicator is yellow the hoist will have sufficient power available for at least one full lifting cycle with max load. When battery is flashing yellow it is only possible to lower the sling bar.

Battery indicator	Battery level	
	Green	80% or more
	Green	80 - 60%
	Green	60 - 40%
	Green	40 - 20%
	Yellow	20% - 0%
	Yellow flashing	0%

Service indicator / Periodic inspection

The hoist's electronics record the weight lifted and number of lifts. After a certain period of operation a signal is given to indicate that service is required.

Service indicator	Mode
No light	No service needed
Yellow	Periodic inspection required
Green flashing	Order service
Red	Perform service

Service scope

When the hoist has performed a number of lifts, (5,000 lifts with the maximum allowed weight (SWL)), the service indicator will light up red.

A service must then be performed by authorized personnel, including the inspection and replacement of worn parts.

Contact Etac or your local dealer or visit etac.com to find an approved service partner.

Charging

Molift Air can be charged through the hand control with a battery charger, or through the rail with In Rail Charging.

Indicator on charger and power supply indicator

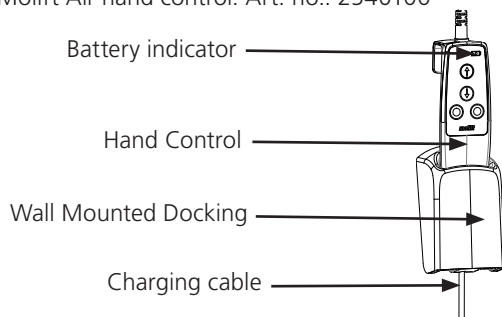
<i>Charger indicator</i>	<i>Mode</i>
Green flash	Not connected to hoist
Yellow	Charging
Yellow flash	Top of charge
Green	Fully charged

<i>Power supply indicator</i>	<i>Mode</i>
Blue	Connected to power outlet

Hand control charging

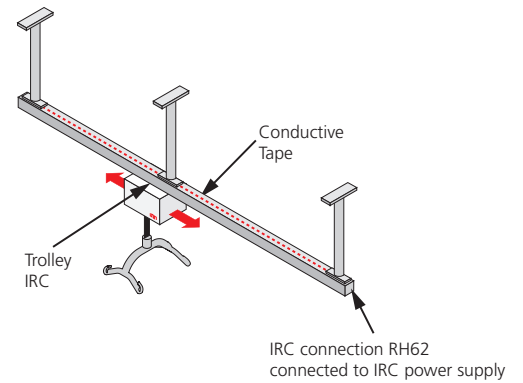
The battery charger is plugged into a power outlet. Wall-mounted docking for hand control is available. Make shure not to damage the cable. The charger can be connected to the power outlet at all times. Use only Molift chargers. The Hand control has an indicator light that will illuminate when battery level is low and the hoist requires charging.

Charger for Molift Air hand control: Art. no.: 2540100

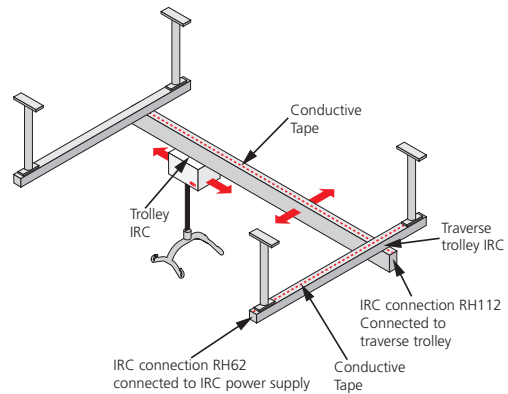


IRC - In Rail Charging

The hoist is charged through a built in charger in lift motor for continuous charging through the entire rail system length. Molift Air IRC has a built in charger, connected to the battery. It must be installed with IRC Trolley in a rail system with a conductive tape. The IRC trolley is connected to the battery charger inside the Molift Air IRC. The IRC trolley is always in contact with the the conductive tape inside the rail. The IRC power supply is connected to the conductive tape through IRC connection at the end of the rail, and supplies power to the battery charger inside Molift Air IRC.



IRC fits both Single rail and Traverse systems.



IRC Power Supply

Art. no.: 2510119

Charger 3844 DC/DC (Part of Molift Air IRC)

Art. no.: 2640101


Transfer


Plan the lifting operation in advance to ensure that it is as safe and smooth as possible. Remember to work ergonomically. Assess the risks and take notes. The carer is responsible for the safety of the user.

Molift Air can be used with both 2-point and 4-point sling bar for different types of transfers; sitting, recumbent or ambulating.

Using slings

It is important that the sling has been tested with the individual user and for the intended lifting situation.

 Read User Manual for the sling prior to use.

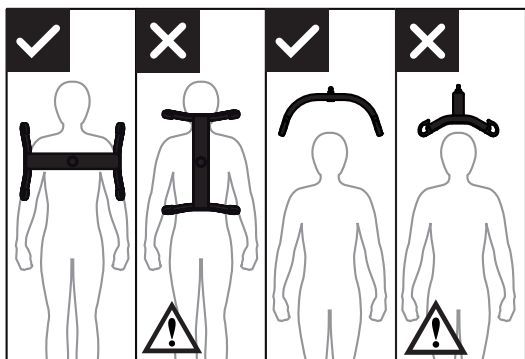
 Do not to use damaged or badly worn slings.

Slings made by other manufacturers

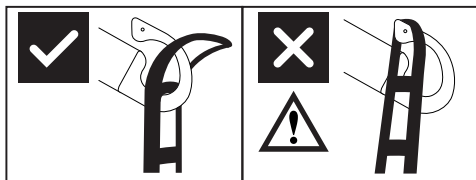
We recommend using Etac or Molift slings. The hoist can be combined with slings from other manufacturers with similar suspension loops. Visit www.etac.com for compatibility statements between lifts and slings from other manufacturers. Please note that the natural or legal person using CE-marked compatible devices from different suppliers is responsible for the activity. Etac cannot therefore be held responsible for any incident.

Lifting and lowering

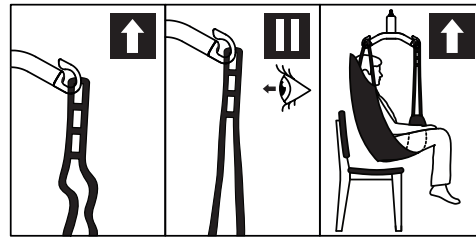
When moving the user, stand to the side of the user you are lifting. Make sure that arms and legs do not obstruct the seat, bed, etc. Keep eye contact with the user to help them feel safe.




The 4-point sling bar must always be positioned across the user, to prevent the user from unintentionally sliding out of the sling.



The sling bars hook design prevents sling to be inadvertently detached when mounted correct.

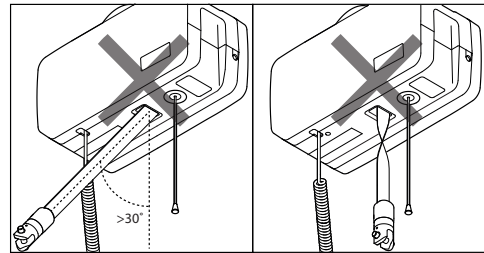


1. Check that the sling is correctly fitted around the user and that the strap loops are correctly fitted to the sling bar hooks.
2. Stretch the sling straps without lifting the user. Ensure that all four loops of the sling are securely fastened to avoid the user slipping or falling.
3. Lift user, and perform transfer.

 Do not use the emergency stop to turn OFF the hoist, except in an emergency. The hoist will switch OFF (stand by) automatically after 5 minutes of inactivity.

Angle sensor

The hoist has a directional safety feature that prevents lifting if angle on lifting strap is too steep.



If the hoist doesn't respond to Hand control "up" button, it might be because lifting strap angle is too steep, or lifting belt is twisted and sensor is activated.

Accessories

Charger cords and plugs.

Plug adapter EU, art.no 2510365

Plug adapter UK, art.no 2510366

Plug adapter US, art.no 2510367

Plug adapter AUS, art.no 2510368

Cord EU, art.no 1140105

Cord UK, art.no 1140106

Cord US, art.no 1140104

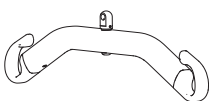
Cord AUS, art.no 1140107

Wall bracket for charger, art. no. 2610123

Sling bars

Molift Air can be used with 2 or 4 point sling bar.

Aluminum sling bar



2-point Small, aluminum, 350 mm,

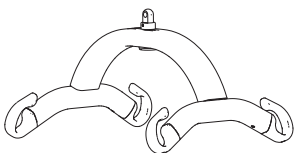
Art. no.: 2530115

2-point Medium, aluminum, 450 mm,

Art. no.: 2530120

2-point Large, aluminum, 550 mm,

Art. no.: 2530125



4-point Small, aluminum, 350 mm,

Art. no.: 2530210

4-point Medium, aluminum, 450 mm,

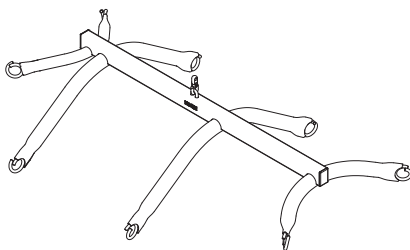
Art. no.: 2530211

4-point Large, aluminum, 550 mm,

Art. no.: 2530212

4-point X-Large, aluminum, 650 mm,

Art. no.: 2530213



8-point sling bar for fabric stretcher, steel

Art. no.: 2140003

Scale

Molift Scale Set (without Sling bar)

Art. no.: 1840000

Can be combined with all Molift Air compatible sling bars. Scale is approved Class III. The scale can also calculate BMI (Body Mass Index) with a single touch. Read the manual that comes with the weight scale prior to use.

Slings

Etac supplies a wide selection of slings for different types of transfers. The Molift RgoSling sling series is developed to be combined with a 4-point sling bar with loop connections. The slings also works with a 2-point sling bar. See the combination list in the slings user manual for the correct sling and sling bar combination. The Molift RgoSling sling series is available in sizes XXS – XXL, in polyester and polyester mesh. Complete list of slings and sling bars can be found on www.etac.com

Molift Rgosling Mediumback Padded (XS-XXL)

Molift Rgosling Highback Padded (XS-XXL)

Molift Rgosling Mediumback Net (XXS-XXL)

Molift Rgosling Highback Net (XXS-XXL)

Molift Rgosling Toilet Lowback (XXS-XXL)

Molift Rgosling Toilet Highback (XXS-XXL)

Molift Rgosling Ampu Mediumback (XXS-XXL)

Molift Rgosling Ampu Highback (XXS-XXL)

Molift Rgosling Ambulating Vest

Molift Rgosling Comfort Highback (S-L)

Molift RgoSling Fabric Stretcher

Molift RgoSling Repositioning

Tillbehör:

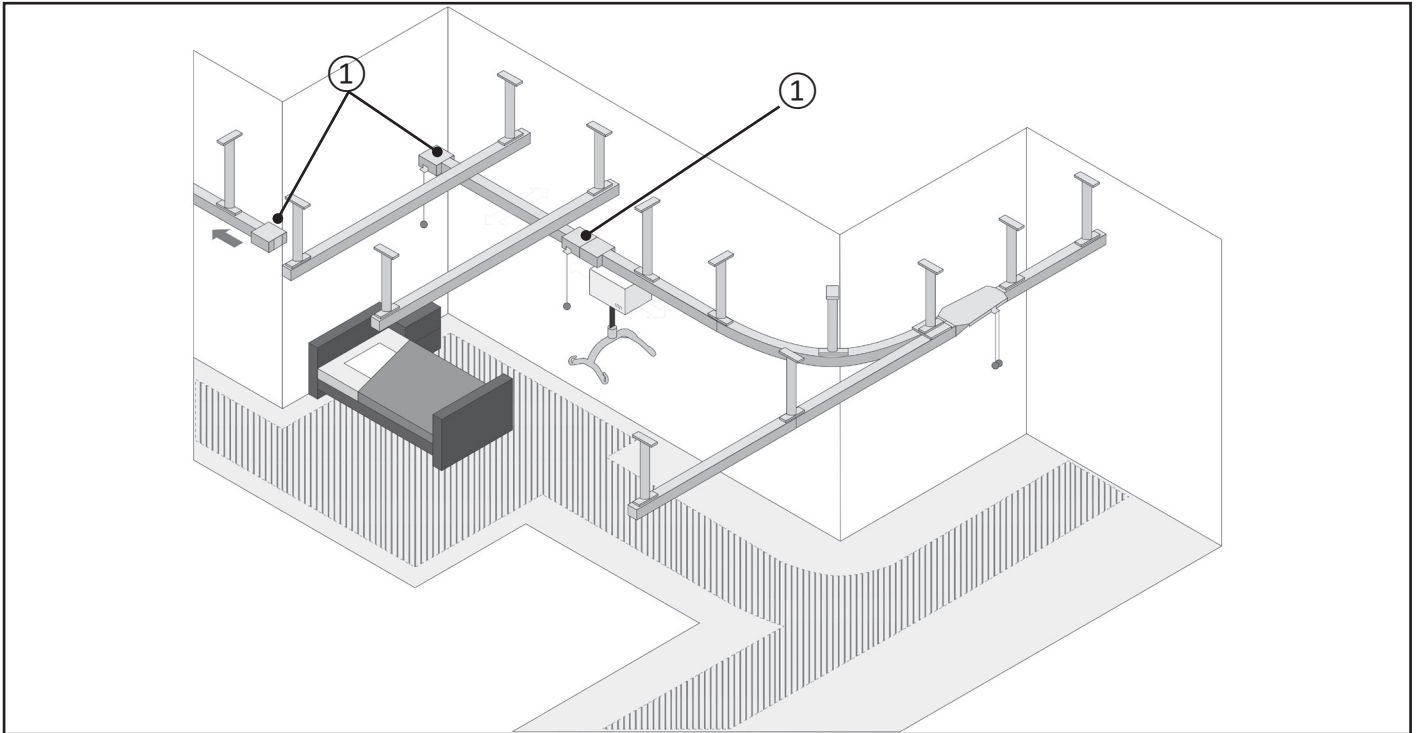
Molift Rgosling Extension Loops

Art.nr.: 1721600

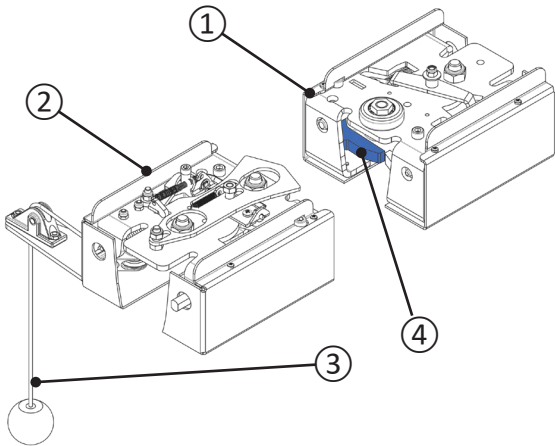
Molift Rgosling Ambulating Vest Groin strap (XXS-XL)

Transition coupling

Some rail systems have transition couplings ① installed. These are used for transferring the user from one rail system to another e.g. between two different rooms.

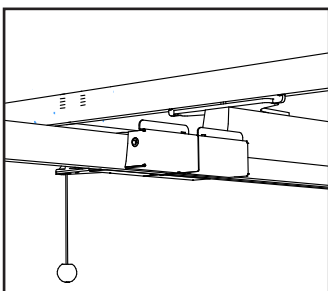


Components

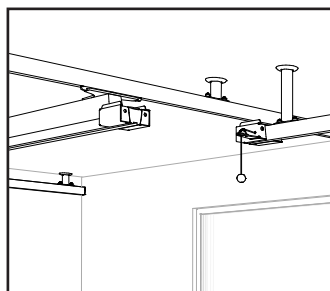


- ① Transition coupling unit
- ② Transition coupling unit with pulley
- ③ Pulley with knob
- ④ Gate (two pcs per unit)

States



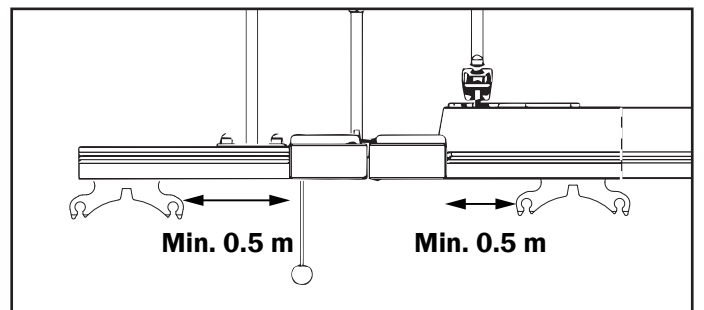
Connected



Disconnected

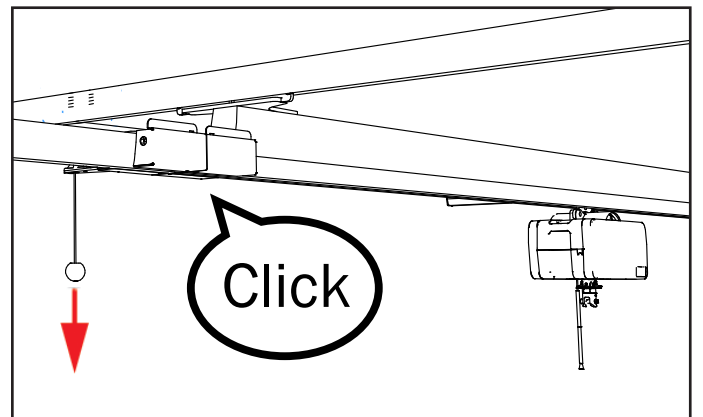
To disconnect

Before disconnecting the transition coupling, ensure trolley is min. 0.5 m away from transition coupling unit.



Pull pulley down until stop.

You hear a sound, which confirms disconnection.

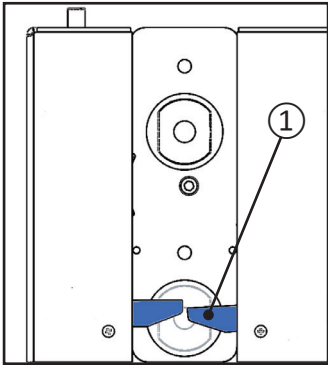


The transition coupling is now disconnected.

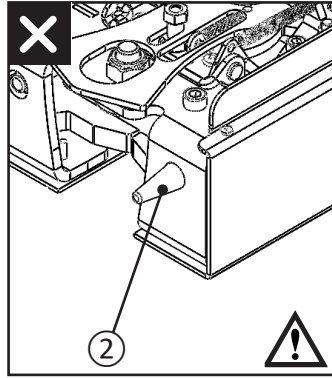
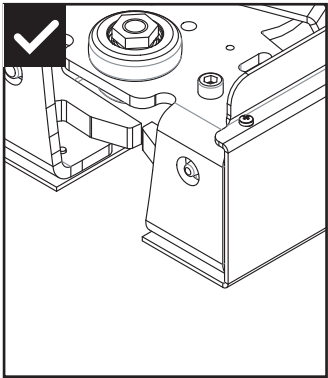
Transfer - disconnected transition coupling

Do not perform any transfer of user before you have checked the following:

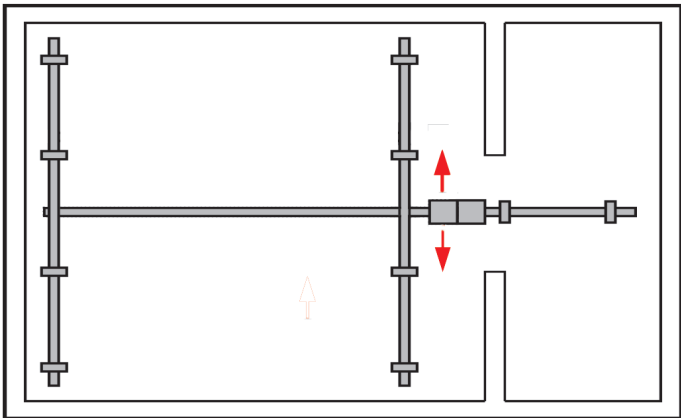
Both gates ① are visible (transition coupling unit seen from below).



Locking bolt ② must **not** be visible when coupling is disconnected.

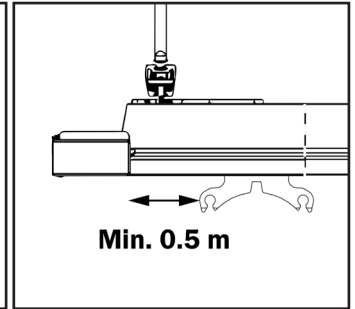
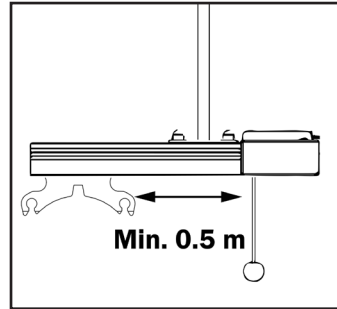


Push traverse rail in the desired direction.

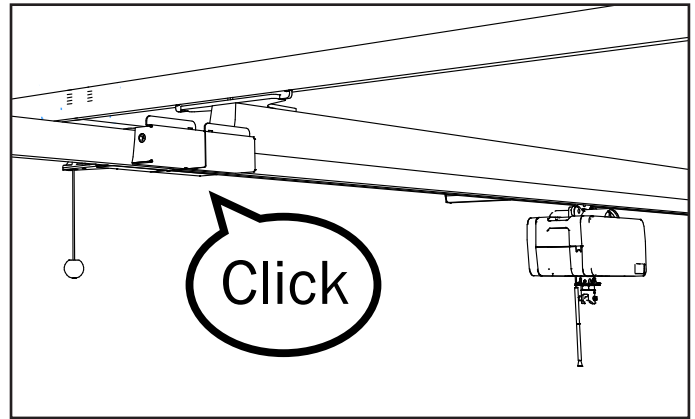


To connect

Before connecting the transition coupling units, ensure trolley is min. 0.5 m away from transition coupling unit.



Push the traverse rail towards the stationary rail, so the transition coupling units connect, and you hear a sound.




Transfer - connected transition coupling


Do not perform any transfer of user before you have checked the transition coupling units are completely locked together. Pushing the rails apart by hand must be impossible.


The user can now be transferred from one rail to another.


Cleaning / Disinfection

Clean on a regular basis. Clean surfaces with a damp cloth using an appropriate pH-neutral detergent. Do not use solvents or strong liquids, this may damage surfaces on the hoist. For disinfection when needed; use isopropyl alcohol. Avoid abrasive cleaning products. Check emergency stop and emergency lowering after cleaning. The lift should not be exposed to running water. When installing in environments with a risk of moisture, it is important that the rail system and the motor are regularly washed and dried. A complete guide to reducing the risk of corrosion is available on request.

 **Make sure not to damage or remove labels when cleaning.**

 **The hoist and hand control have IP24 protection class which indicates: >12.5mm protection against access to hazardous parts, and that water splashed against the enclosure from any direction shall have no harmful effects.**

 **Carer and user is exposed to the following materials: Polypropilene and polyester (slings*), PC/ABS (hand control and hoist cover), powder coated aluminium, powder coated zink (sling bars).
* = Applied part**

 **In rare cases user or carer exposed to polypropilene and polyester may suffer from allergic reactions such as skin irritation, mild itching and skin tenderness.**

Reconditioning

Follow cleaning and installation procedure, complete periodic inspection and use checklist after installation to recondition the hoist.

Recycling


Refer to "Recycling instructions" for how to properly dispose of product. This can be found on www.etac.com.

Spare parts

A list of spare parts is available on request.

Periodic inspection scope

Periodic inspection is a visual examination (particularly of the hoist's load bearing structure and lifting mechanism with attachments, brakes, controls, safety devices and person-support devices) according to Periodic Inspection Report for Molift Air 200 and 350.
See www.etac.com.

 **If there is any problems with the hoist that could jeopardize someones safety, the hoist shall immediately be taken out of service and marked "out of order". Do not use the hoist until it is repAired. Contact you local Molift/Etac dealer/distributer to report any problems.**

Periodic Inspection shall be performed at least once a year or more frequently if required by local requirements. The inspection must be performed by service personnel authorized by Etac. Contact Etac at molift@etac.com for training and authorization or recommendation of an approved service partner.

When performing a periodic inspection, the inspector shall fill out the inspection report for Molift Air. The reports should be retained by the person(s) responsible for servicing the hoist. If the inspection reveals defects and damages, the hoist shall be taken out of operation and marked "out of order" until it is repAired.

Troubleshooting

Symptom	Possible Cause/Action
The hoist does not respond to hand control action	Emergency Stop is activated. Deactivate by pushing button back in.
	The hoist's electronics is overheated. Wait for it to cool down.
	Hand control is not plugged in properly. Hand control or plug or cord can be broken an should be replaced.
The hoist does not respond to Hand control up button	Lifting strap angle sensor is activated. Adjust lifting strap or move hoist to reduce lifting strap angle.
When using Electrical Emergency lowering the lifting band goes upwards	Lifting band has gone completely out, and has been winded the wrong way. Use manual emergency lowering.

Wichtiger Hinweis

Diese Bedienungsanleitung enthält wichtige Hinweise und Informationen für den sicheren Gebrauch des Hebetuchs und des Zubehörs.

In dieser Anleitung ist der Benutzer die Person, die gehoben wird. Der Pfleger ist die Person, die den Lifter bedient.



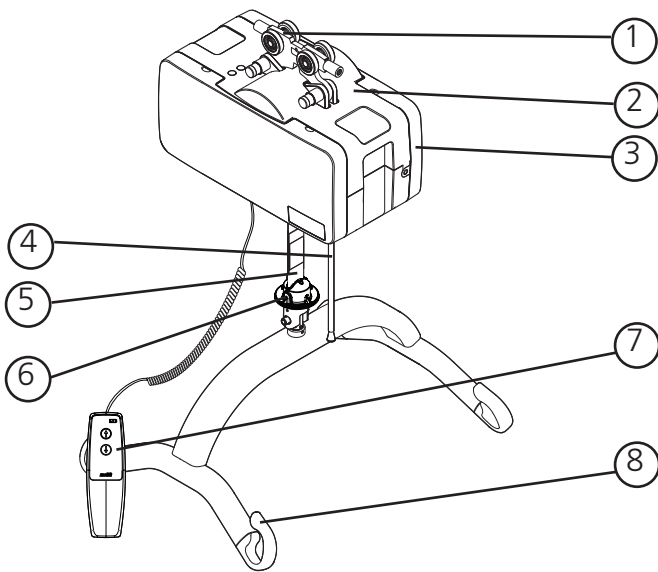
Dieses Symbol weist auf wichtige Sicherheitshinweise hin. Befolgen Sie diese Anweisungen bitte genau.



Lesen Sie vor dem Gebrauch die Bedienungsanleitung!
Es ist sehr wichtig, dass Sie vor Inbetriebnahme des Geräts mit dem Inhalt der Bedienungsanleitung genau vertraut sind.

Besuchen Sie www.etac.com und vergewissern Sie sich, dass Sie über die neueste Version der Bedienungsanleitung verfügen.

Molift Air 200/350



Bestandteile des Lifts:

1. Laufschlitten
2. Hubeinheit
3. Seitenabdeckungen
4. Notstoppvorrichtung/
Notabsenkvorrichtung
5. Hebegurt
6. Schnellverschlussbolzen
7. Handsteuerung
8. Hehebügel

Über Molift Air

Molift Air ist ein leistungsfähiger und leichtgängiger Deckenlift, mit dessen Hilfe Patienten und pflegebedürftige Personen sicher und komfortabel umgesetzt werden können. Das Gerät eignet sich für Veränderungen der Sitzposition und seitliches Umsetzen sowie für Stand- und Gehübungen und ist mit dem umfangreichen Zubehörprogramm von Molift kombinierbar.

Molift Air verfügt über einen sehr leichten Motor, der zusammen mit dem Schnellverschlussystem Montage und Wartung einfach macht.

Allgemeines



CE-Erklärung

Das Produkt und das entsprechende Zubehör, die in dieser Bedienungsanleitung beschrieben werden, entsprechen der Verordnung (EU) 2017/745 von 5. April 2017 - als Medizinprodukt, Risikoklasse I.

Das Produkt wurde von einer dritten Stelle gemäß den Normen IEC 60601-1, IEC 60601-1-2 und EN/ISO 10535:2021 geprüft und zugelassen.

Jeder schwere Zwischenfall, der im Zusammenhang mit dem Produkt auftritt, sollte dem Hersteller und der zuständigen Behörde des Mitgliedstaats, in dem der Anwender und/oder Patient niedergelassen ist, gemeldet werden.

Bedingungen für die Benutzung

Das Anheben und Umlagern eines Benutzers geht immer mit gewissen Risiken einher, und die Benutzung des von in diesem Handbuch behandelten Geräts und Zubehörs ist ausschließlich dafür geschultem Personal gestattet. Das Schienensystem muss von zertifiziertem Personal unter Einhaltung der einschlägigen Montageanweisungen montiert werden. Der Lifter ist nicht dafür konzipiert, von dem Benutzer bedient zu werden, der gehoben wird.

Modifikationen und Verwendung von Komponenten anderer Hersteller.

Wir empfehlen die ausschließliche Verwendung von Molift-Komponenten und -Ersatzteilen. Wenn am Produkt Modifikationen vorgenommen werden, erlischt die Konformitätserklärung und die von Etac auf das Produkt gegebene Garantie. Etac haftet nicht für Mängel oder Unfälle, die bei der Verwendung von Komponenten anderer Hersteller auftreten können. Die Verwendung von nicht in dieser Bedienungsanleitung aufgeführtem Zubehör, abnehmbaren Teilen und Materialien kann unsicher sein.

Batterien

Das Symbol des durchgestrichenen Müllimers auf Batterien oder Akkumulatoren besagt, dass diese am Ende ihrer Lebensdauer nicht im Hausmüll entsorgt werden dürfen. Sofern Batterien oder Akkumulatoren Quecksilber (Hg), Cadmium (Cd) oder Blei (Pb) enthalten, finden Sie das jeweilige chemische Zeichen unterhalb des Symbols des durchgestrichenen Müllimers. Sie sind gesetzlich verpflichtet, alte Batterien und Akkumulatoren nach Gebrauch zurückzugeben. Sie können dies kostenfrei im Handelsgeschäft oder bei einer anderen Sammelstelle in Ihrer Nähe tun. Adressen geeigneter Sammelstellen können Sie von Ihrer Stadt- oder Kom-

munalverwaltung erhalten.

Batterien können Stoffe enthalten, die schädlich für die Umwelt und die menschliche Gesundheit sind. Besondere Vorsicht ist aufgrund der besonderen Risiken beim Umgang mit lithiumhaltigen Batterien geboten. Durch die getrennte Sammlung und Verwertung von alten Batterien und Akkumulatoren sollen negative Auswirkungen auf die Umwelt und die menschliche Gesundheit vermieden werden.

Bitte vermeiden Sie die Entstehung von Abfällen aus alten Batterien soweit wie möglich, z.B. indem Sie Batterien mit längerer Lebensdauer oder aufladbare Batterien bevorzugen. Bitte vermeiden Sie die Vermüllung des öffentlichen Raums, indem Sie Batterien oder batteriehaltige Elektro- und Elektronikgeräte nicht achtlos liegenlassen. Bitte prüfen Sie Möglichkeiten, eine Batterie, anstatt der Entsorgung einer Wiederverwendung zuzuführen, beispielsweise durch die Rekonditionierung oder die Instandsetzung der Batterie.

Weitere Informationen zum Batteriegesetz finden Sie auch im Internet unter www.batteriegesetz.de

Definitionen

Mit „Benutzer“ wird in dieser Anleitung die Person bezeichnet, die auf dem Produkt sitzt. „Die Pflegeperson“ ist die Person, die das Produkt betätigt.

Zweckbestimmung

Zum Heben und Transferieren von Benutzern mit Mobilitätseinschränkungen oder Unterstützungsbedarf innerhalb eines Schienensystems, z. B. zum/vom Bett, Boden, Rollstuhl, Toilettenstuhl, zu/von einer Toilette etc. Auch geeignet für das Gehtraining in Kombination mit der Ambulating Vest.

Zielgruppe

Wird für Benutzer verwendet, die Unterstützung beim Anheben und Umlagern bzw. Transport oder beim Gehtraining benötigen, z. B. Personen mit eingeschränkter Mobilität, die beim Umlagern bzw. Transport Unterstützung benötigen. Keine vollständige Aufzählung.

Vorgesehene Umgebung

Für die Verwendung in Innenräumen an einem Schienensystem in der Akutpflege, Langzeitpflege und häuslichen Pflege.

Indikationen

Das Gerät kann für Kinder, Erwachsene und ältere Menschen mit Unterstützungsbedarf beim Heben und Transfer oder beim Gehtraining innerhalb eines Schienensystems eingesetzt werden. Die Zielgruppe für das Gerät basiert auf der individuellen Gesundheits- und Mobilitätsfunktion und nicht auf einer spezifischen Diagnose oder einem bestimmten Alter.

Kontraindikationen

Es gibt keine bekannten Kontraindikationen in Bezug auf den Lifter, aber es muss sichergestellt sein, dass der Liegendtransportgurt zum Benutzer passt.

Empfohlene Größe des Nutzers

Empfohlene Körpergröße: keine Angabe. Zur Auswahl der Größe des Hebegurts, sind den Bedienungsanleitungen der RGO Sling Gurte zu entnehmen.

Kontraindikationen: es sind keine Kontraindikationen bekannt.

Wiedereinsatz

Das Gerät ist für den Wiedereinsatz geeignet. Vor einem Patientenwechsel oder Wiedereinsatz befolgen Sie die Anweisungen zur Reinigung und Desinfektion, zur Wartung sowie der Montage und Anpassung.



Nur zertifiziertes Personal darf den Lift oder das Zubehör öffnen, um Wartung oder Reparaturen vorzunehmen. Aufgrund beweglicher und spannungsführender Teile besteht ein Verletzungsrisiko.



Garantiehinweis
2 Jahre Garantie auf Verarbeitungs- und Materialfehler unserer Produkte.
Ein Jahr Garantie auf Batterien.
Unsere Allgemeinen Geschäftsbedingungen finden Sie unter www.etac.com.

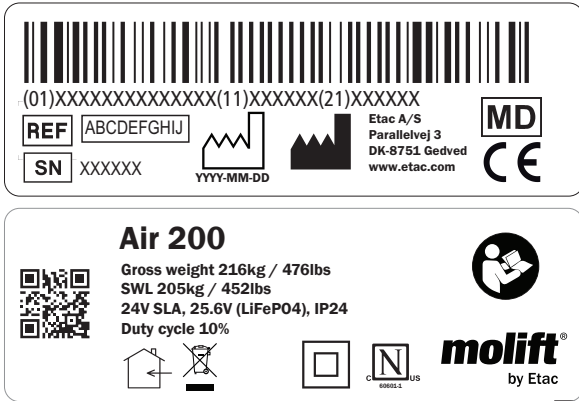
Indikationen

Mobilitätsaufhebung/-einschränkung bei Gebrauchsunfähigkeit und/oder erheblicher Minderung der oberen und unteren Extremität (z.B. Tetraplegie bei Querschnittslähmung oder andere neurologische oder muskulär bedingte Funktionsstörung der oberen und unteren Extremität), die eine selbständige Nutzung anderer Lifter oder Umsetzhilfen nicht mehr zulässt.

Produktkennzeichnung

Produktetikett

Das Produktetikett enthält einen Barcode mit Artikelnummer, Seriennummer und Herstellungsdatum:



Warnetiketten und Symbole

Die auf dem Produkt verwendeten Symbole haben folgende Bedeutung:



Schutzklasse 2 (schutzisoliert)



CE-konform



Lesen Sie die Bedienungsanleitung



Nur für den Gebrauch in Innenräumen



max 255 kg / max 560 lbs
Maximales Patientengewicht



Nicht im Hausmüll entsorgen



Not-Aus-Schalter/Notabsenkung



Wartungsanzeige



Ladeanzeige



Sechskantschlüsselsymbol für manuelle Notabsenkung



Zeichen der Zertifizierungsstelle



Luftfeuchtigkeitsbegrenzung



Luftdruckbegrenzung



Temperaturbegrenzung



Hersteller



Herstellungsdatum



Katalognummer



Seriennummer



Medizinprodukt

Technische Daten

Sichere Traglast (SWL):

Molift Air 200: SWL = 205 kg (450 lbs)

Optionaler SWL-Bereich (Einstellung) 160–205 kg

Molift Air 350: SWL = 350 kg (771 lbs)

Optionaler SWL-Bereich (Einstellung) 160–350 kg

Gewicht des Geräts:

Fahrgestell inkl. Akku, ohne Hebebügel:

8,56 kg. 4-Punkt-Hebebügel, Größe M: 2,2 kg

Akku:

Art.: 2920204 25,6 V LiFePO4-Akku 2,4 Ah

Art.: 2920007 12 V Bleiakku 2,9 Ah

Ladezeit: 6h

Akkuladegerät:

Ladegerät für Handsteuerung, Mascot – Typ 3743

Art.-Nr.: 2540100

100-240 V AC, 50-60 Hz max. 0,5 A

Ausgang 0,9 A

IRC-Stromversorgung, Mascot – Typ 3721

Art.-Nr.: 2610119

Eingang: 100–240 VAC, 50–60 Hz max. 1,0 A

Ausgang: 24 VDC 1,75 A/42 W

Leistungsaufnahme: 450 W

Leistungsaufnahme (Standby): 0.015 W

IRC-Ladegerät, Mascot – Typ 3844

Art.-Nr.: 2640200

Eingang: 20-30 VDC 1,3 A

Ausgang: 0,5 A

40 mm/sekunden bei 205KG

Hubgeschwindigkeit:

60 mm/Sekunde, bei 75 kg Belastung

59 mm/Sekunde, ohne Belastung (Air 200)

52 mm/Sekunde, ohne Belastung (Air 350)

Mögl. Hubvorgänge per Akkuladung: 56 (LiFePO4) / 43 (SLA)

Hubvorgänge (205 kg / 0.5 m)

Geschwindigkeit des Fahrtriebs: 0,2 m/Sekunde

Schutzklasse:

Handsteuerung IP24

Hubmotor IP24

Sound pressure: 52 dBA

Sound power (L_{WA}): 63 dB

Bedienkraft, Taste:

Tasten an der Handsteuerung: 3,4 N

Werkstoffe: Aluminium, Kunststoff, Stahl

Erwartete Lebensdauer:

Der Lift hat eine erwartete Lebensdauer von 30 000 Zyklen bzw. 10 Jahren.

Abmessungen:

L x B x H (Länge, Breite, Höhe, ohne Laufschlitten)

36 x 19 x 19,5 cm (14,2 x 7,5 x 7,7 Zoll)

Durchmesser des Laufschlitten: Ø37 mm

A Air 200 Gurtlänge: 3000 mm

A Air 350 Gurtlänge: 2600 mm (102 Zoll)

Hubbereich (Air 200):

385 mm bis 3385 mm (2-pkt Hebebügel)

475 mm bis 3475 mm (4-pkt Hebebügel)

Hubbereich (Air 350):

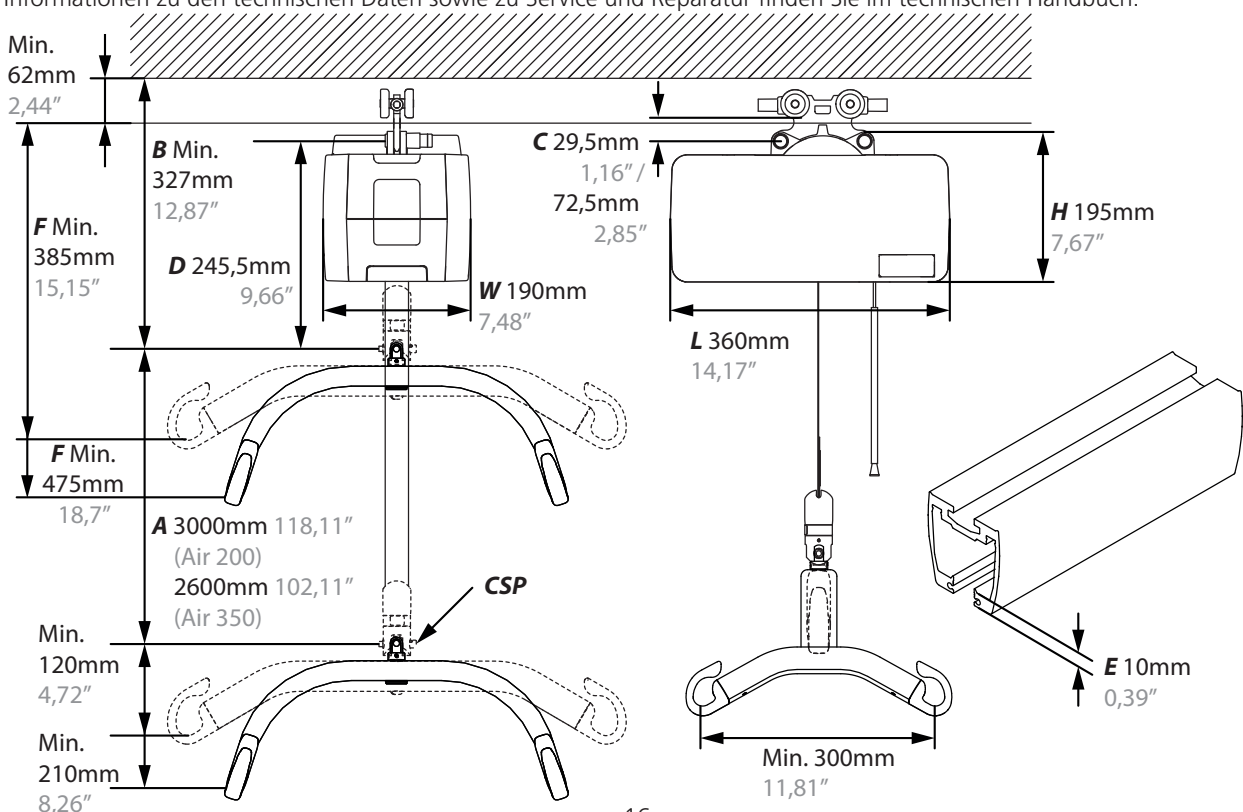
385 mm bis 2985 mm (2-pkt Hebebügel)

475 mm bis 3075 mm (4-pkt Hebebügel)

B(Mindestabstand zwischen Decke und

Spreizstangenverbindungspunkt) 32,7 cm (12,7/8 Zoll)

Weitere Informationen zu den technischen Daten sowie zu Service und Reparatur finden Sie im technischen Handbuch.



Installation

Der Deckenlifter ist mit dem zulässigen Benutzungsgewicht (SWL) gekennzeichnet, das nicht die maximale Belastbarkeit des Schienensystems übersteigen sollte.

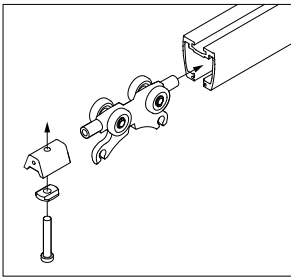


Das Schienensystem darf nur von zertifiziertem Personal und im Einklang mit den einschlägigen Installationsanweisungen installiert werden.



Nehmen Sie den Lifter erst in Gebrauch, nachdem Sie nach der Installation die Checkliste durchgegangen sind.

Installation des Laufschlittens



Einsetzen des Laufschlittens im Schienensystem. Entfernen Sie den Endstopper und führen Sie den Laufschlitten in die Schiene ein. Bringen Sie den Endstopper an und vergewissern Sie sich, dass dieser ordnungsgemäß befestigt ist. Siehe BM3401 für Details zur Installation. Etac bietet Laufschlitte für die Montage der Molift-Aufzüge in Schienensystemen anderer Hersteller an. Kontaktieren Sie Ihren Etac-Vertreter vor Ort für weitere Informationen zu Wagen, die mit den Schienensystemen anderer Hersteller kompatibel sind.

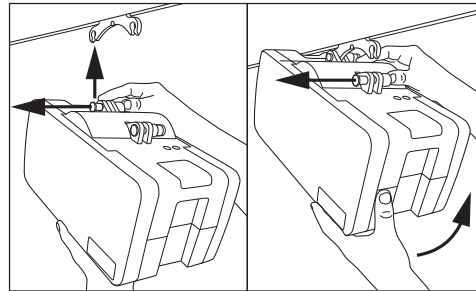


Stellen Sie sicher, dass alle Enden des Schienensystems durch Endstopper gesichert sind, bevor Sie den Lifter benutzen!

Lifterinstallation

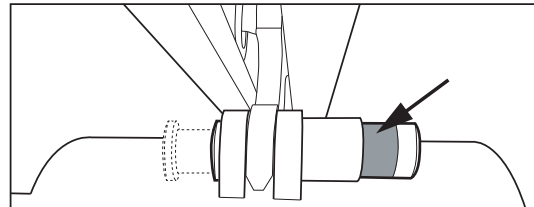


Seien Sie bei erhöhten Arbeitssituationen vorsichtig. Wir empfehlen zwei oder mehr Monteure, um Gleichgewichtsverlust und Verletzungen während der Installation zu vermeiden!



Befestigung des Lifts auf dem Laufschlitten. Keine Werkzeuge erforderlich. Der Lift verfügt über zwei Aufhängungspunkte.

Befestigen Sie zunächst den ersten Punkt. Drücken Sie den Knopf bis zum Anschlag ein, und platzieren Sie dann den Lift in den Verbindungspunkt des Laufschlittens. Lassen Sie den Knopf los und vergewissern Sie sich, dass die grüne Markierung klar zu erkennen ist, bevor Sie den nächsten Punkt befestigen.



Vergewissern Sie sich, dass beide Verbindungspunktknöpfe vollständig in die Ausgangsposition zurückschnappen und nach der Installation die grüne Markierung bei beiden klar zu erkennen ist. Notabsenkungsschnur und -rohr können durch Zuschneiden an die korrekte Länge bzw. Höhe angepasst werden.

Installation

Verifizieren Sie vor der Inbetriebnahme mit Hilfe dieser Checkliste, dass der Lift ordnungsgemäß installiert ist und vorschriftsmäßig und sicher benutzt werden kann.

- Endstopper sind nach Installation des Hebeschlittens montiert wie in BM3401 beschrieben
- Stellen Sie sicher, dass die Hubeinheit korrekt mit der Schiene verbunden ist und der Lift keine losen Teile aufweist.
- Führen Sie einen Hebevorgang mit einem Gewicht durch (60–80 kg)
- Stellen Sie sicher, dass der Akku voll geladen ist.

Bedienung des Molift Air

Allgemeine Sicherheitshinweise

Benutzen Sie nur Zubehör und Hebetücher, die dem Benutzer, der Art seiner Behinderung, seiner Größe und seinem Gewicht und der Art der Umsetzung angepasst sind.

Verhältnis Betriebszeit zu Pausen/Arbeitszyklus.

Molift Air 200 / 350 sollte nicht dauerhaft länger als 2 Minuten am Stück betrieben werden (unter maximaler Belastung) und dann mindestens 18 Minuten pausieren. Arbeitszyklus 10 %. (Pausenzeit gemäß ISO-EN 10535)



Positionieren Sie die Hubeinheit nicht so, dass das Herausziehen des Netzkabelsteckers erschwert wird. Ziehen Sie zum Isolieren des Systems das Hauptkabel aus der Steckdose.



Falls sich die zulässige maximale Arbeitsbelastung (SWL) der Hebebügel der Hubeinheit und des Trageteils unterscheidet, so ist stets der niedrigere Wert ausschlaggebend



Lifter von Molift dürfen ausschließlich zum Heben von Benutzern verwendet werden. Setzen Sie den Lifter niemals zum Heben oder Bewegen von Objekten aller Art ein.

Vor Gebrauch / Tägliche Prüfung

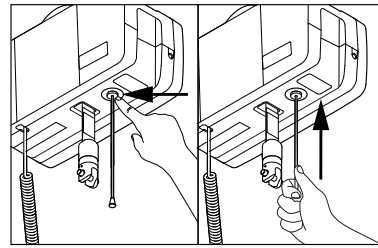
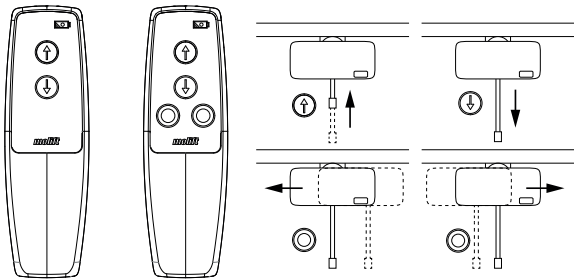
Die folgenden Prüfmaßnahmen sind vom Pfleger täglich bzw. vor Benutzung durchzuführen:

- Inspektion des Lifters und des Schienensystems auf sichtbare Schäden, Defekte oder Verformungen
- Vergewissern Sie sich, dass die Verbindung zum Hebebügel und alle abnehmbaren Teile ordnungsgemäß verbunden und gesichert sind
- Test des Not-Aus-Schalters und der Notabsenkung
- Vergewissern Sie sich, dass die Ladeanzeige oder die Wartungsanzeige nicht leuchtet
- Stellen Sie sicher, dass die Hebegurte keine sichtbaren Schäden oder Ausfransungen aufweisen.
- Testen Sie die operativen Funktionen des Lifters mithilfe eines Probelaufs und stellen Sie sicher, dass der Lifter keine ungewöhnlichen Geräusche macht

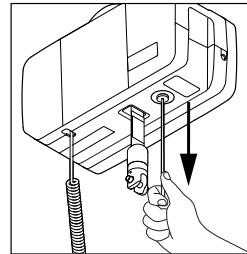
Bei Störungen oder Defekten ist der Lifter umgehend außer Betrieb zu setzen und entsprechend zu kennzeichnen („außer Betrieb“). Keine Teile des Molift Air dürfen während des Gebrauchs am Patienten gewartet werden.

Handsteuerung

Die Handsteuerung hat zwei Knöpfe zum Heben und Senken, oder vier Knöpfe, wenn der Lift mit einem Antrieb ausgestattet ist. Die Handsteuerung verfügt über ein Anzeigelicht, das bei niedrigem Ladezustand des Akkus leuchtet und so darauf hinweist, dass der Akku geladen werden muss.



Sie können die Not-Aus-Funktion zurücksetzen, indem Sie den Schalter mit dem Finger oder dem Rohr auf der Schnur wieder zurückdrücken.



Elektrische Notabsenkung

Ziehen und halten, um die Absenkung einzuleiten. Halten, bis der Benutzer abgesenkt wurde und aus der Hebebühle herausgenommen werden kann.



Ziehen Sie den Lift nicht an der Handsteuerung, um ihn entlang der Schiene zu bewegen.



Nur für Notfälle, wenn die Handsteuerung nicht funktioniert!



Der Lift funktioniert nicht, wenn die Handbedienung an ein Ladegerät angeschlossen ist.
Trennen Sie die Handbedienung vom Ladegerät, bevor Sie den Lift bedienen.

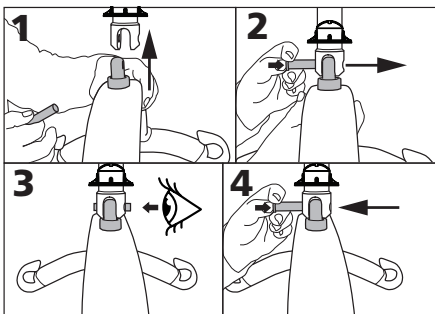


Eine manuelle Notabsenkung darf nur von Fachpersonal vorgenommen werden!

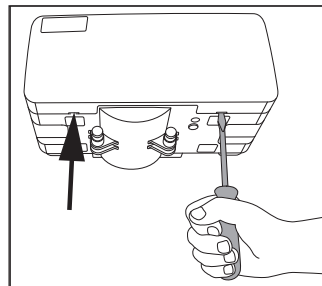
Manuelle Notabsenkung

Sie finden einen Sechskantschlüssel oder ein Bitstück für einen Akkuschauber innerhalb des Lifters. Entfernen Sie die Abdeckung, um Zugang zu den Werkzeugen zu haben.

Montage der Hebebühle



1. Führen Sie die Hebebühle korrekt in den Verbindungspunkt ein.
2. Drücken Sie den Knopf des Verriegelungsstifts ein und schieben Sie den Stift vollständig hindurch.
3. Festen Sitz des Verriegelungsstifts überprüfen
4. Drücken und halten Sie den Knopf am Verriegelungsstift und ziehen Sie, um dem Stift herauszunehmen.

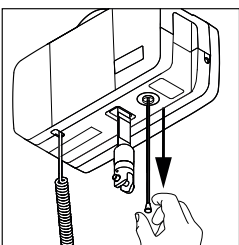


Setzen Sie einen Schlitzschraubendreher oder eine Münze in die zwei Schlitze der Abdeckung und drücken Sie den Schraubendreher/die Münze nach unten und zur Seite, um die Abdeckung zu öffnen. Suchen Sie den Aufkleber über dem Loch für die manuelle Notabsenkung. Entfernen Sie oder durchstoßen Sie den Aufkleber, und führen Sie das Werkzeug ein. Durch Drehen gegen den Uhrzeigersinn senken Sie den Hebegurt. Es wird die Benutzung eines Akkuschaubers empfohlen.

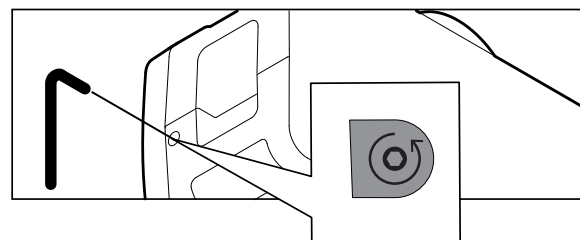
Not-Aus-Schalter/Notabsenkung

Not-Aus-Schalter

Aktivierung und Zurücksetzen des Not-Aus-Schalters:



Ziehen, um die Not-Aus-Funktion zu aktivieren. Der Knopf springt heraus, und der Lift hält an.



Wartung ist NICHT erforderlich, wenn:

- 1) der Grund für die manuelle Notfallabsenkung des Molift Air bekannt ist,
- 2) der Gurt unbeschädigt ist, und
- 3) das Gerät nach der manuellen Notabsenkung normal funktioniert und betrieben werden kann.

Die neue Bremsüberbrückung trägt dazu bei, indem sie die mit der manuellen Notabsenkung einhergehende Beanspruchung der Lifterkomponenten reduziert.

Wenn die Einheit eine Fehlfunktion mit unbekannter Ursache hatte und das manuelle Notabsenkungssystem verwendet wurde, ist eine Wartung erforderlich.

Steuerelektronik

Transport und Lagerung

Für die langfristige Lagerung wird empfohlen, den Not-Aus-Knopf zu aktivieren (herausziehen). Der Lifter kann bei Umgebungstemperaturen von - 25 bis + 70 °C gelagert und transportiert werden.

Betrieb


Der Lifter ist auf die Benutzung bei Zimmertemperaturen ausgelegt (+ 5 bis + 40 °C).

Luftdruck: 70 - 106 kPa

Relative Luftfeuchtigkeit: 15–90 %

Innerhalb der genannten Betriebsbedingungen ist der Air 200/350 gegen Korrosion geschützt.

Nach einer Lagerung oder einem Transport unter abweichenden Temperaturbedingungen muss der Lifter in einem Raum mit geeigneter Temperatur gelagert werden, bis er eine sichere Betriebstemperatur erreicht hat.



Medizinische Elektrogeräte bedürfen spezieller Sicherheitsmaßnahmen in Bezug auf elektromagnetische Kompatibilität (EMK). Tragbare oder mobile Funkkommunikationsgeräte können die Funktion medizinischer Elektrogeräte beeinträchtigen und sollten stets mindestens 25 cm Abstand zur Lifter-Elektronik haben.


Batterien

Der Molift Air 200/350 ist erhältlich mit einem 2 x 12-V-Bleiakku oder einem 25,6-V-LiFePO4-Akku.


Der Bleiakku hat eine Lebensdauer von ca. 500 Ladezyklen.

Der LiFePO4-Akku hat eine Lebensdauer von ca.

2000 Ladezyklen.





Laden Sie den Akku nach Erhalt und danach alle sechs Monate auf, um einen Ausfall des Akkus zu vermeiden.



Akkus müssen als Sondermüll entsprechend der einschlägigen lokalen Bestimmungen entsorgt werden. Nicht im Hausmüll entsorgen. Der Austausch von Lithium-Batterien oder Brennstoffzellen durch nicht ausreichend geschultes Personal kann zu einer Gefährdung führen.







Lade- und Wartungsanzeige am Lifter

	Schraubenschlüsselsymbol/ Serviceanzeige
	Batteriesymbol/Ladeanzeige

Das elektrische System verfügt über eine Stromsparfunktion, durch die das elektrische System fünf Minuten nach dem letzten Betrieb abgeschaltet wird. Dann erlöschen alle Anzeigen. Das System kann reaktiviert werden durch Betätigung einer der Betriebstasten auf der Handsteuerung.

Ladeanzeige am Lifter

Wenn die mehrstufige Akkuanzeige gelb aufleuchtet, hat der Lifter noch ausreichend Energie für mindestens einen vollen Hebezyklus mit maximaler Last. Wenn die Batterieanzeige gelb aufblinkt, kann die Spreizstange nur noch abgesenkt werden.

<i>Ladeanzeige</i>		<i>Akkuladestand</i>
	Grün	80 % oder mehr
	Grün	80–60 %
	Grün	60–40 %
	Grün	40–20 %
	Gelb	20–0 %
	Gelbes Blinken	0 %

Wartungsanzeige/Regelmäßige Wartung

Die Elektronik des Lifters registriert, wie viele Hebevorgänge mit welcher Gewichtsbelastung durchgeführt wurden. Nach einer bestimmten Gebrauchsdauer leuchtet die LED auf, um die Notwendigkeit einer Wartung anzuzeigen.

<i>Wartungsanzeige</i>	<i>Zustand</i>
Kein Licht	Keine Wartung erforderlich
Gelb	Regelmäßige Inspektion erforderlich
Grün blinkend	Wartung anfordern
Rot	Wartung durchführen

EN
DE
NO
SV
FI
IT
FR
ES
NL
DA
CZ

Wartungsumfang

Wenn der Lifter mehrere Hebevorgänge ausgeführt hat (5.000 Hebevorgänge mit der maximal zulässigen Tragfähigkeit (SWL)), leuchtet die Wartungsanzeige rot.

Anschließend muss eine Wartung durch autorisiertes Personal durchgeführt werden, einschließlich Inspektion und Austausch von abgenutzten Teilen.

Wenden Sie sich an Etac oder Ihren Händler vor Ort oder besuchen Sie etac.com, um einen zugelassenen Service-Partner zu finden.

Laden

Molift Air kann über die Handsteuerung mit einem Akku-Ladegerät aufgeladen werden oder über die Schiene per Schienenladung (IRC).

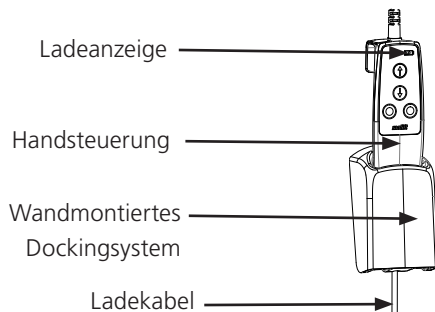
Anzeige am Ladegerät und Anzeige der Stromversorgung

Ladeanzeige	Zustand
Grün blinkend	Nicht an Hubeinheit angeschlossen
Gelb	Laden
Gelb blinkend	Erhaltungsladung
Grün	Vollständig geladen

Stromversorgungsanzeige	Zustand
Blau	An Steckdose angeschlossen

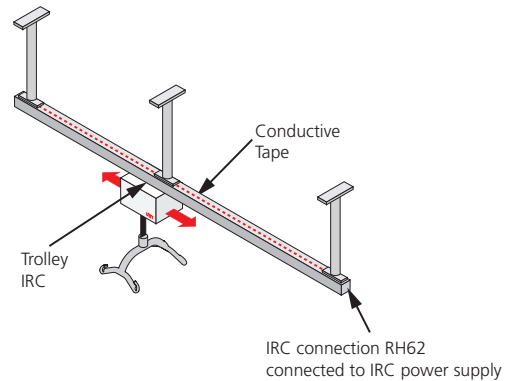
Laden mit der Handsteuerung

Das Akkuladegerät wird mit einer Steckdose verbunden. Wandmontiertes Andocken ist für die Handsteuerung verfügbar. Seien Sie vorsichtig, damit Sie das Kabel nicht beschädigen. Das Ladegerät kann dauerhaft an eine Steckdose angeschlossen sein. Verwenden Sie nur Molift-Ladegeräte. Die Handsteuerung verfügt über ein Anzeigelicht, das bei niedrigem Ladezustand des Akkus leuchtet und so darauf hinweist, dass der Akku geladen werden muss. Ladegerät für Handsteuerung Molift Air: Art.-Nr.: 2540100

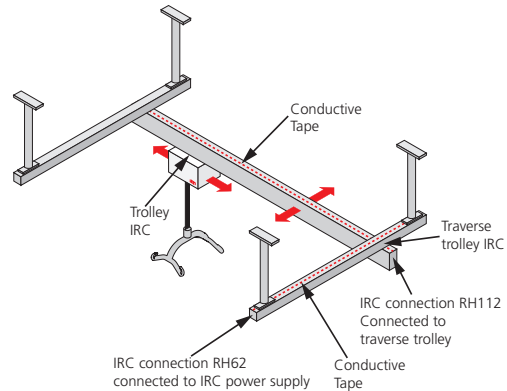


IRC (In Rail Charging) - Schienenladung

Der Lifter wird über ein in den Hebemotor eingebautes Ladegerät dauerhaft über die gesamte Länge des Schienensystems geladen. Der Molift Air IRC verfügt über ein integriertes Ladegerät, das an den Akku angeschlossen ist. Dieses muss mit dem IRC-Laufschlitten und einem leitenden Klebeband in einem Schienensystem installiert werden. Der IRC-Laufschlitten wird im Inneren des Molift Air IRC an das Akku-Ladegerät angeschlossen. Dadurch hat der IRC-Laufschlitten stets Kontakt zum leitenden Klebeband in der Schiene. Die IRC-Stromversorgung wird über den IRC-Anschluss am Schienenende mit dem leitenden Klebeband verbunden und versorgt das Akku-Ladegerät im Molift Air IRC mit Strom.



IRC ist für Einzelschienen- und Traversensysteme geeignet.



IRC-Stromversorgung

Art.-Nr.: 2510119

Ladegerät 3844 DC/DC (Teil des Molift Air IRC)

Art.-Nr.: 2640101


Transfer


Planen Sie den Hebetransfer im Voraus, um sicherzustellen, dass alles so sicher und störungsfrei wie nur möglich abläuft. Denken Sie an eine ergonomische Arbeitsweise. Bewerten Sie die Risiken und machen Sie entsprechende Notizen. Der Helfer ist für die Sicherheit des Benutzers verantwortlich.

Molift Air kann sowohl mit einer 2-Punkt- als auch mit einer 4-Punkt-Hebebügel für verschiedene Arten des Transfers benutzt werden; sitzend, liegend oder gehend.

Benutzung von Hebetüchern

Es ist wichtig, dass das Hebetuch mit jedem einzelnen Benutzer und für jede Hebesituation individuell getestet wird.

 **Vor dem Gebrauch des Hebetuchs die Bedienungsanleitung lesen.**

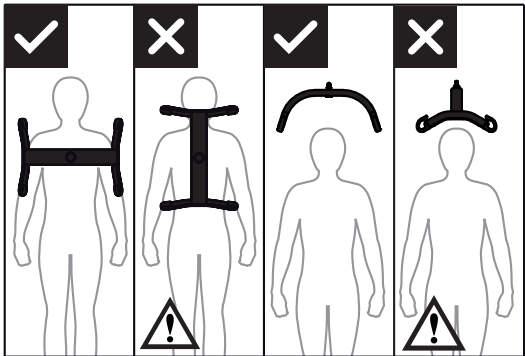
 **Keine beschädigten oder stark abgenutzten Hebetücher verwenden.**

Hebetücher anderer Hersteller

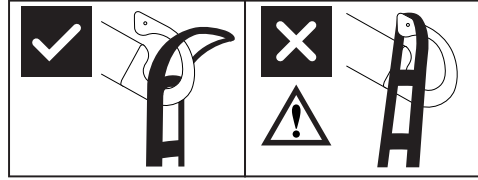
Wir empfehlen die Verwendung von Etac- oder Molift-Hebetüchern. Der Lifter ist mit Hebetüchern anderer Hersteller mit ähnlichen Aufhängeösen kombinierbar. Besuchen Sie www.etac.com für Kompatibilitätsaussagen zwischen Liftern und Hebetüchern anderer Hersteller. Bitte beachten Sie, dass die natürliche oder juristische Person, die CE-gekennzeichnete kompatible Geräte verschiedener Anbieter verwendet, für die Aktivität verantwortlich ist. Etac kann daher nicht für Vorfälle verantwortlich gemacht werden.

Heben und Senken

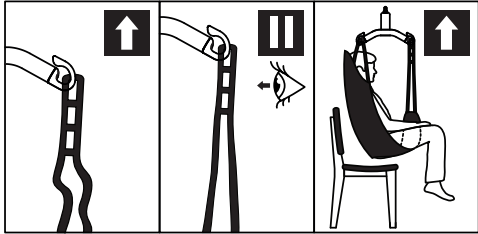
Wenn Sie den Benutzer bewegen, stellen Sie sich beim Anheben neben die Person. Sorgen Sie dafür, dass Arme und Beine nicht eingeklemmt werden (Bett, Stuhl usw.). Versuchen Sie, Augenkontakt zu halten, denn dadurch fühlt sich der Benutzer gut aufgehoben.




Die 4-Punkt-Hebebügel muss immer horizontal zum Benutzer ausgerichtet sein, um zu verhindern, dass dieser aus dem Hebetuch rutscht.



Bei korrekter Montage verhindert das Design der Haken am Hebebügel, dass sich das Hebetuch unbeabsichtigt löst.

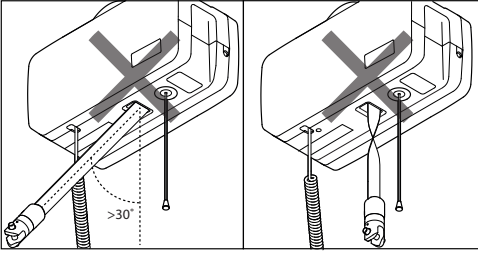


1. Stellen Sie sicher, dass das Hebetuch ordnungsgemäß am Benutzer anliegt und die Gurtschlaufen ordnungsgemäß an den Aufhängeshaken befestigt sind.
2. Ziehen Sie die Schlaufengurte des Hebetuchs an, ohne dabei den Benutzer anzuheben. Stellen Sie sicher, dass alle vier Schlaufen des Hebetuchs korrekt befestigt sind, um ein Herausrutschen oder Herausfallen des Benutzers zu verhindern.
3. Heben Sie den Benutzer an und führen Sie den Transport durch.

 **Verwenden Sie den Not-Aus-Schalter nicht, um den Lifter auszuschalten, außer in Notfällen. Der Lifter schaltet sich nach 5 Minuten Inaktivität automatisch AUS (Standby).**

Winkelsensor

Der Lift verfügt über eine Sicherheitsfunktion, die das Anheben verhindert, wenn der Winkel des Hebegurts zu steil ist.



Wenn der Lift nicht auf den Hebeknopf der Handsteuerung reagiert, so liegt dies gegebenenfalls daran, dass der Winkel des Hebegurts zu steil ist, oder der Hebegurt sich verdreht hat und der Sensor aktiviert ist.

Zubehör

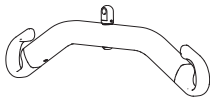
Ladekabel und Stecker.

Steckeradapter EU, Art.-Nr. 2510365
 Steckeradapter UK, Art.-Nr. 2510366
 Steckeradapter US, Art.-Nr. 2510367
 Steckeradapter AUS, Art.-Nr. 2510368
 Kabel EU, Art.-Nr. 1140105
 Kabel UK, Art.-Nr. 1140106
 Kabel US, Art.-Nr. 1140104
 Kabel AUS, Art.-Nr. 1140107
 Wandhalterung für Ladegerät, art. no. 2610123

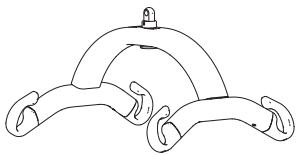
Hebebügel

Molift Air kann mit einer 2-Punkt- oder 4-Punkt-Hebebügel benutzt werden.

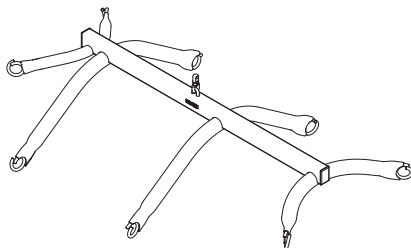
Aluminium-Hebebügel



2-Punkt-Hebebügel Klein, Aluminium, 350 mm,
 Art.-Nr.: 2530115
 2-Punkt-Hebebügel Medium, Aluminium, 450 mm,
 Art.-Nr.: 2530120
 2-Punkt-Hebebügel Groß, Aluminium, 550 mm,
 Art.-Nr.: 2530125



4-Punkt-Hebebügel Klein, Aluminium, 350 mm,
 Art.-Nr.: 2530210
 4-Punkt-Hebebügel Medium, Aluminium, 450 mm,
 Art.-Nr.: 2530211
 4-Punkt-Hebebügel Groß, Aluminium, 550 mm,
 Art.-Nr.: 2530212
 4-Punkt-Hebebügel Extragroß, Aluminium, 650 mm,
 Art.-Nr.: 2530213



8-Punkt-Hebebügel für Fabric Stretcher, Stahl
 Art.-Nr.: 2140003

Waage

Molift-Waage (ohne Hebebügel)

Art.-Nr.: 1840000

Kann mit allen mit Molift Air kompatiblen Hebebügel verwendet werden. Die Waage ist für Klasse III zugelassen und kann auch mit einem einzigen Tastendruck den BMI (Body-Mass-Index) ermitteln. Lesen Sie vor Gebrauch die Bedienungsanleitung, die mit der Waage mitgeliefert wird.

Hebetücher

Etac bietet eine breite Auswahl von Hebetüchern für Transportaufgaben aller Art an. Das Hebetuch der Serie Molift RgoSling kann sowohl mit einer 4-Punkt-Hebebügel mit Schlaufenverbindungen entwickelt. Der Hebetucher funktioniert auch mit einem 2-Punkt-Hebebügel. Ein Verzeichnis der korrekten Kombinationsmöglichkeiten für die einzelnen Hebetücher und Spreizstangen finden Sie in der Bedienungsanleitung der Hebetücher.

Die Hebetuch-Serie Molift RgoSling ist in den Größen XXS – XXL aus Polyester oder aus Polyester-Netzgewebe erhältlich. Die vollständige Liste der Hebetücher und Spreizstangen finden Sie unter www.etac.com.

Molift Rgosling Mediumback Padded (XS-XXL)
 Molift Rgosling Highback Padded (XS-XXL)
 Molift Rgosling Mediumback Net (XXS-XXL)
 Molift Rgosling Highback Net (XXS-XXL)
 Molift Rgosling Toilet Lowback (XXS-XXL)
 Molift Rgosling Toilet Highback (XXS-XXL)
 Molift Rgosling Amпу Mediumback (XXS-XXL)
 Molift Rgosling Amпу Highback (XXS-XXL)
 Molift Rgosling Ambulating Vest
 Molift Rgosling Comfort Highback (S-L)
 Molift RgoSling Fabric Stretcher
 Molift RgoSling Repositioning

Tillbehör:

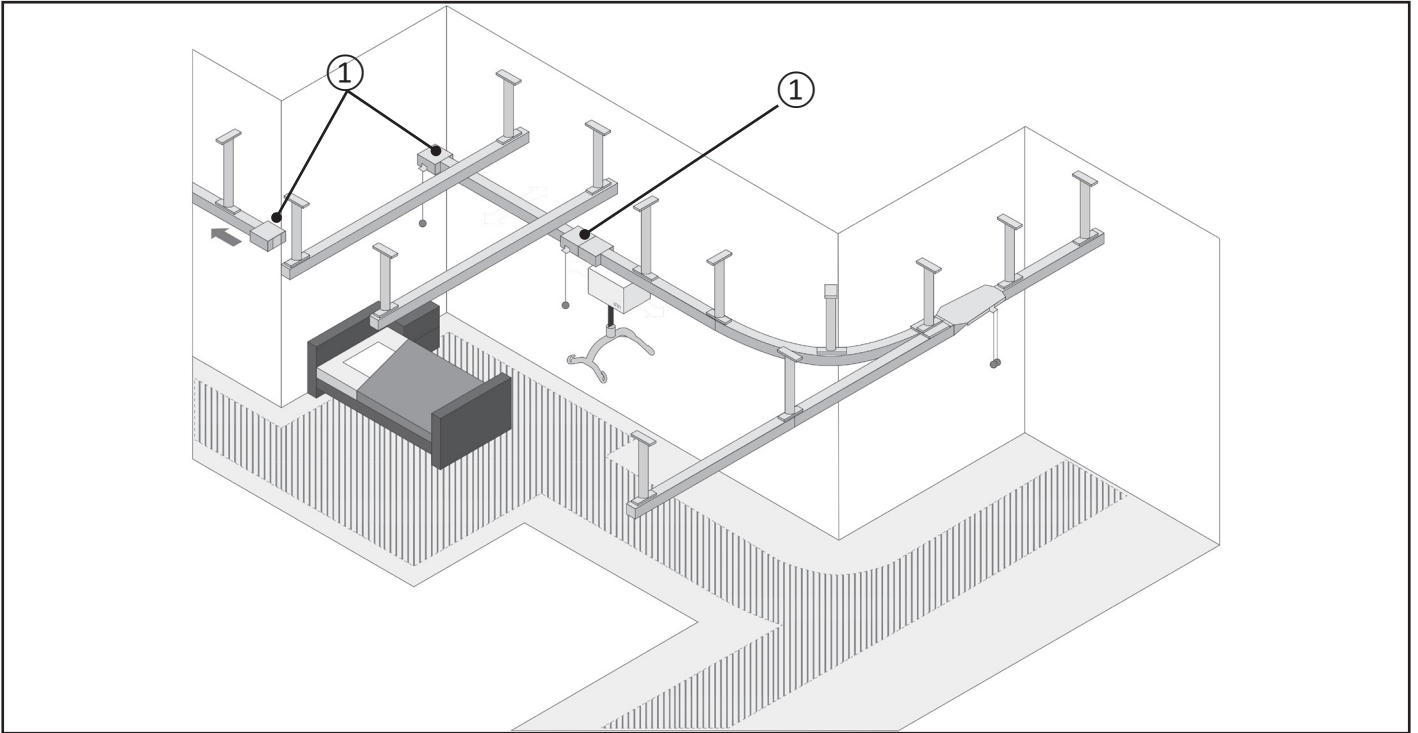
Molift Rgosling Extension Loops

Art.nr.: 1721600

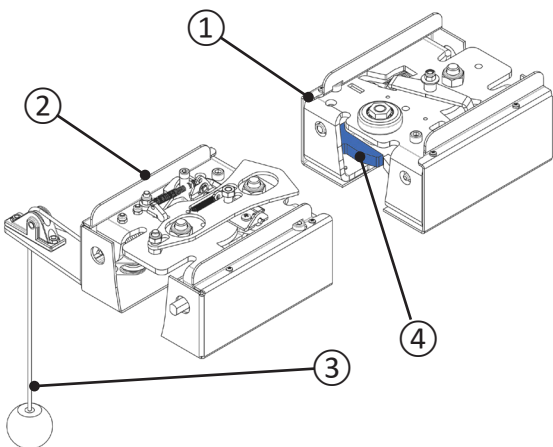
Molift Rgosling Ambulating Vest Groin strap (XXS-XL)

Übergangskupplung

An einigen Schienensystemen sind Übergangskupplungen ① montiert. Diese werden verwendet, um den Benutzer von einem Schienensystem auf ein anderes zu transferieren, z. B. zwischen zwei verschiedenen Räumen.

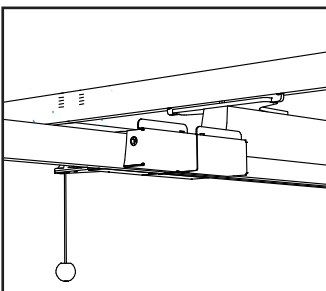


Bestandteile

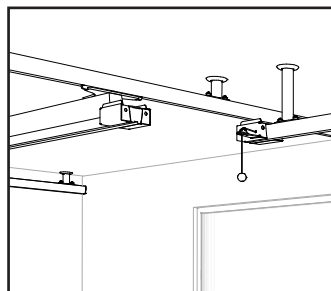


- ① Übergangskupplungseinheit
- ② Übergangskupplungseinheit mit Umlenkrolle
- ③ Umlenkrolle mit Knauf
- ④ Verschluss (zwei Stück pro Einheit)

Zustände



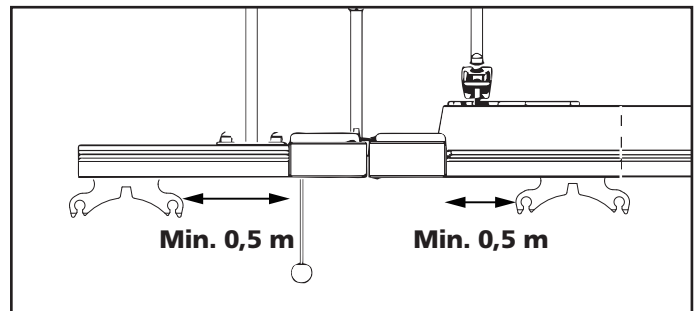
Angekoppelt



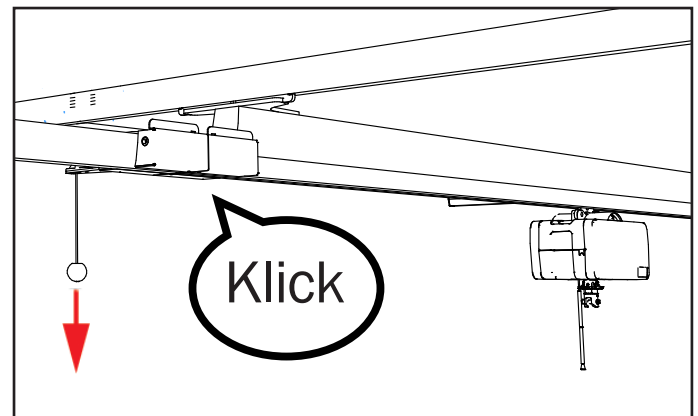
Abgekoppelt

Abkoppelung

Stellen Sie vor dem Abkoppeln der Übergangskupplung sicher, dass der Laufschlitten mind. 0,5 m von der Übergangskupplungseinheit entfernt ist.



Ziehen Sie die Umlenkrolle bis zum Anschlag nach unten. Sie hören ein Geräusch, das die Abkoppelung bestätigt.

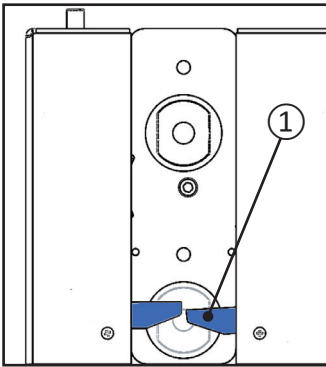


Die Übergangskupplung ist jetzt abgekoppelt.

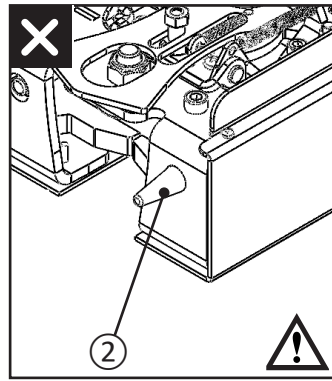
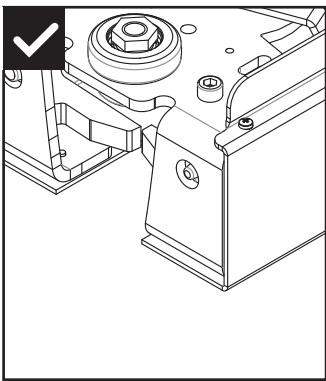
Transfer – abgekoppelte Übergangskupplung

Führen Sie erst Benutzertransfers durch, nachdem Sie Folgendes überprüft haben:

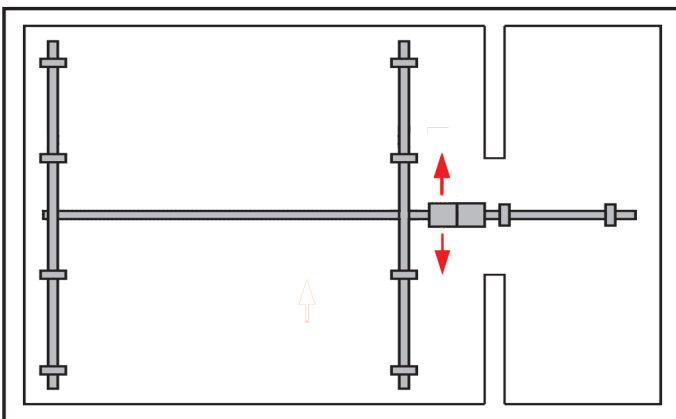
Beide Verschlüsse ① sind sichtbar
(Übergangskupplungseinheit von unten aus gesehen).



Sicherungsbolzen ② darf beim Abkoppeln der Kupplung **nicht** sichtbar sein.

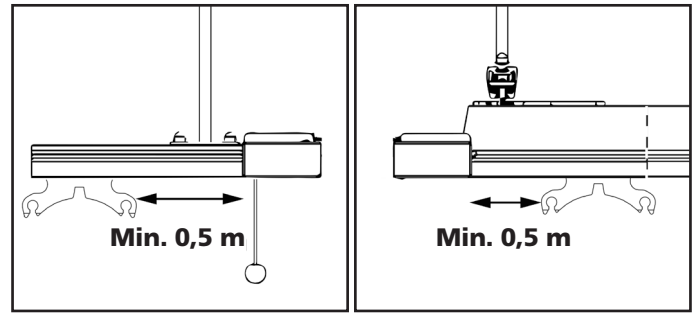


Schieben Sie die Traversenschiene in die gewünschte Richtung.

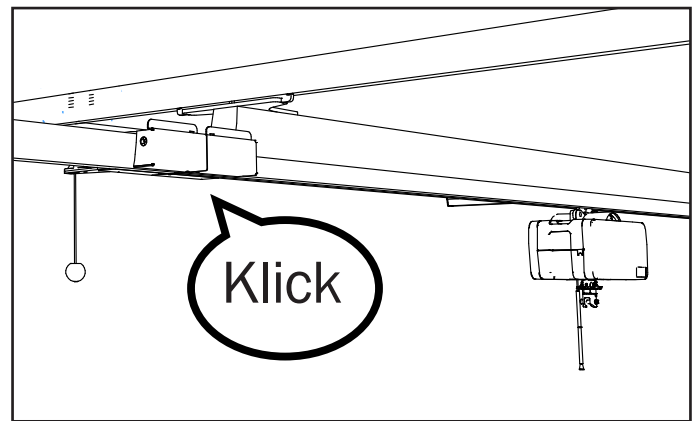


Ankopplung

Stellen Sie vor dem Ankoppeln der Übergangskupplungseinheiten sicher, dass der Laufschiene mind. 0,5 m von der Übergangskupplungseinheit entfernt ist.



Schieben Sie die Traversenschiene in Richtung der stationären Schiene, sodass sich die Übergangskupplungseinheiten verbinden und Sie ein Geräusch hören.




Transfer – angekoppelte Übergangskupplung


Führen Sie erst Benutzertransfers durch, nachdem Sie sichergestellt haben, dass die Übergangskupplungseinheiten vollständig miteinander verbunden sind. Die Schienen dürfen sich nicht von Hand auseinanderschieben lassen.


Der Benutzer kann nun von einer Schiene auf eine andere transferiert werden.


Reinigung/Desinfizierung

Regelmäßig reinigen. Säubern Sie die Oberflächen mit einem feuchten Tuch und mithilfe eines geeigneten pH-neutralen Reinigers. Verzichten Sie auf den Einsatz von Lösungsmitteln und scharfen Reinigungsmitteln, da diese die Oberfläche des Lifters beschädigen können. Regelmäßig reinigen. Säubern Sie die Oberflächen mit einem feuchten Tuch und mithilfe eines geeigneten pH-neutralen Reinigers. Für die Desinfektion (sofern erforderlich): Benutzen Sie Isopropylalkohol oder reinigen Sie das Produkt mit einem lösungsmittelfreien Reinigungsmittel oder einer 70%igen Desinfektionslösung mit einem pH-Wert von 5-9. Verwenden Sie keine scheuernden Reinigungsmittel. Überprüfen Sie nach der Reinigung den Not-Aus-Schalter und die Notabsenkung. Der Lift sollte nie unterfließendes Wasser gehalten werden. Bei der Installation in feuchtigkeitsgefährdeten Umgebungen ist es wichtig, dass das Schienensystem und der Motor regelmäßig gewaschen und getrocknet werden. Eine vollständige Anleitung zur Reduzierung des Korrosionsrisikos ist auf Anfrage erhältlich.

 Achten Sie bei der Reinigung darauf, dass die Etiketten nicht beschädigt oder entfernt werden.

 Die Hubeinheit und die Handsteuerung haben die Schutzart IP24. Dies bedeutet: >12,5 mm Schutz vor gefährlichen Teilen und dass Wasser, das als Strahl in einem beliebigen Winkel bis zu 60° zur Senkrechten auftritt, keine schädliche Wirkung haben darf.

 Pflegeperson und Kunde kommen mit den folgenden Materialien in Berührung: Polypropylen und Polyester (Hebetücher*), PC/ABS (Handsteuerung und Abdeckung für die Hebeeinheit), pulverbeschichtetes Aluminium, pulverbeschichtetes Zink (Spreizstangen).
* = Anwendungsteil

 In seltenen Fällen können bei Kunden oder Pflegepersonen, die mit Polypropylen oder Polyester in Berührung kommen, allergische Reaktionen wie Hautreizungen, leichter Juckreiz oder empfindliche Haut auftreten.

Instandsetzung

Molift Komponenten und Motoren sind zum Wiedereinsatz geeignet. Befolgen Sie die Reinigungs- und Installationsanweisungen, führen Sie regelmäßige Inspektionen durch und gehen Sie nach der Installation die Checkliste durch, um den Lifter wieder einzusetzen. Für den Wiedereinsatz der Schienen sehen Sie Installation Guide BM1901.

Recycling


In den „Recyclinganweisungen“ finden Sie Informationen zur ordnungsgemäßen Entsorgung des Produkts. Diese finden Sie auf www.etac.com.

Ersatzteile

Eine Ersatzteilliste ist auf Anfrage verfügbar.

Umfang der regelmäßigen Inspektion

Die regelmäßige Inspektion umfasst eine visuelle Untersuchung (insbesondere in Bezug auf das lasttragende Gestell des Lifters und den Hebemechanismus mit Befestigungsvorrichtungen, Bremsen, Steuerelementen, Sicherheitsvorrichtungen und Personenträgern) gemäß dem Regelmäßigen Inspektionsbericht von Molift Air 200 und 350. Besuchen Sie www.etac.com.

 Sollte mit dem Lifter ein Problem bestehen, das die Sicherheit von Menschen gefährden könnte, so muss dieser sofort außer Betrieb genommen und deutlich als „außer Betrieb“ gekennzeichnet werden. Eine Benutzung darf erst nach der Reparatur erfolgen. Wenden Sie sich bei Problemen an Ihren lokalen Molift/ Etac-Händler/-Vertriebspartner.

Die regelmäßige Inspektion muss mindestens einmal im Jahr durchgeführt werden, je nach den lokalen Anforderungen auch häufiger. Die Inspektionen dürfen nur von Wartungspersonal durchgeführt werden, das von Etac dazu autorisiert worden ist. Kontaktieren Sie Etac auf molift@etac.com wegen der erforderlichen Schulungen und Autorisierungen oder um einen autorisierten Service-Partner zu erfragen.

Der Inspektor muss bei der Durchführung einer periodischen Inspektion den Inspektionsreport für Molift Air ausfüllen. Die Berichte sollten von der/den Person(en) verwahrt werden, die für die Wartung des Lifters verantwortlich ist/sind. Werden bei der Wartung Defekte und Schäden entdeckt, sollte der Lifter außer Betrieb genommen und bis zur vollständigen Reparatur als „außer Betrieb“ gekennzeichnet werden.

Fehlersuche und -behebung

Symptom	Mögliche Ursache/ Maßnahme
Der Lifter reagiert nicht auf die Betätigung der Handsteuerung	Not-Aus-Schalter ist aktiviert. Deaktivieren durch erneutes Eindrücken des Schalters.
	Die Elektronik des Lifters ist überhitzt. Warten Sie, bis der Lifter wieder abgekühlt ist.
	Die Handsteuerung ist nicht korrekt eingesteckt. Die Handsteuerung, der Stecker oder das Kabel kann beschädigt worden sein und sollte in diesem Fall ausgetauscht werden.
Der Lifter reagiert nicht auf den Hebeknopf der Handsteuerung	Der Winkelsensor des Hebegurts ist aktiviert. Passen Sie den Hebegurt entsprechend an oder bewegen Sie den Lift, um den Winkel zu verringern.
Wenn die elektrische Notabsenkung verwendet wird, bewegt sich das Hebeband nach oben.	Das Hebeband ist vollständig draußen und wurde falsch aufgewickelt. Verwenden Sie die manuelle Notabsenkung.

Viktig

Denne bruksanvisningen inneholder viktige sikkerhetsinstruksjoner og informasjon om bruk av seilet og tilbehøret. Brukeren i denne bruksanvisningen er personen som løftes. Pleieren er personen som betjener løfteren.



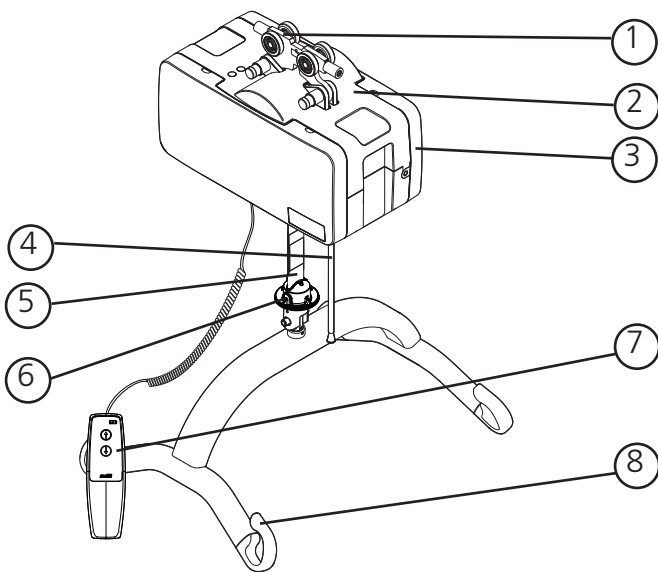
Dette symbolet indikerer viktig informasjon om sikkerhet. Disse instruksjonene må følges nøye.



Les bruksanvisningen før bruk!
Det er viktig å forstå bruksanvisningens innhold fullt og helt før utstyret betjenes.

Gå til www.etac.com for å laste ned dokumentasjon, slik at du har den nyeste utgaven.

Molift Air 200/350



Løfterens komponenter:

1. Løpehjul
2. Løfter
3. Sidedekslar
4. Nødstopp/nødsenkning
5. Løftestropp
6. Hurtigutløserpinne
7. Håndkontroll
8. Løftebøyle

Om Molift Air

Molift Air er en kraftig takløfter som gjør det mulig å forflytte pasienter og beboere på en komfortabel og sikker måte. Den er egnet for sittende og sideveis forflytning samt stående og gående treningssituasjoner sammen med det omfattende tilbehørsprogrammet fra Molift.

Molift Air er en svært lett motor, som i kombinasjon med koblingssystemet med hurtigutløser gir enkel håndtering ved montering og service.

Generelt



Samsvarserklæring

Produktet og tilhørende tilbehør, som er beskrevet i denne bruksanvisningen, er i samsvar med forordning (EU) 2017/745 av 5. april 2017 - som medisinsk utstyr, risikoklasse I.

Produktet er testet og godkjent av en tredjepart i henhold til standardene IEC 60601-1, IEC 60601-1-2 og EN/ISO 10535:2021.

Alle alvorlige hendelser som oppstår i forbindelse med enheten, skal rapporteres til produsenten og kompetent myndighet i landet der brukeren og/eller pasienten befinner seg.

Bruksbetingelser

Løfting og forflytning av en bruker medfører alltid en viss risiko, og utstyret og tilbehøret som er beskrevet i denne bruksanvisningen, skal bare brukes av kvalifisert personale. Skinnesystemet skal installeres av sertifisert personell i samsvar med gjeldende installasjonsanvisning. Løfteren er ikke ment for å betjenes av brukeren som løftes.

Endringer og bruk av komponenter som er laget av andre produsenter.

Vi anbefaler at det kun brukes Molift komponenter og reservedeler. Samsvarserklæringen blir ugyldig, og Etac står ikke ansvarlig for garantien, dersom utstyret er utsatt for modifikasjoner. Etac har intet ansvar for eventuelle feil eller ulykker som kan oppstå ved bruk av komponenter fra andre produsenter. Det kan være farlig å bruke tilbehør, avtakbare deler og materialer som ikke er angitt i denne bruksanvisningen.



Bare autorisert personale har tillatelse til å åpne løfteren eller tilbehøret for å utføre service eller reparasjoner. Fare for skade som følge av roterende deler og elektrisk støt.



Garantimelding

To (2) års produktgaranti mot feil i materialer og arbeidsutførelse.

Ett (1) års batterigaranti.

Les vilkår og betingelser på www.etac.com.

Definisjoner

Personen som betegnes som «brukeren» i denne bruksanvisningen, er personen som ligger/sitter i produktet. «Pleieren» er personen som manøvrerer produktet.

Tiltenkt bruk

Brukes til å løfte og forflytte brukere som trenger støtte for å løftes eller forflyttes i et skinnesystem, f.eks. til/fra en seng, gulvet, en rullestol, en toalettstol eller lignende. Også til gangtrening i kombinasjon med ambuleringsvest.

Målgruppe

For brukere som trenger støtte for å løftes og forflyttes, eller under gangtrening, f.eks. personer som har begrenset bevegelsesevne og som trenger kroppsstøtte under forflytninger. Listen er ikke uttømmende.

Tiltenkt miljø

For innendørs bruk i et skinnesystem innen akuttpleie, langtidspleie, hjemmepleie.

Indikasjoner

Enheten kan brukes av barn, voksne og eldre som trenger støtte for å løftes og forflyttes mellom to liggeflater, eller under gangtrening, i et skinnesystem.

Målgruppen for utstyret er basert på individuell helse- og mobilitetsfunksjon, og ikke en spesifikk diagnose eller alder.

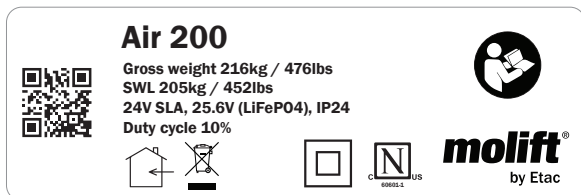
Kontraindikasjoner

Det er ingen kjente kontraindikasjoner angående løfteren, men kontroller at løfteselen passer til brukeren.

Produktidentifisering

Produktetikett

Strekoden på produktetiketten inneholder artikkelnummer, serienummer og produksjonsdato:



Advarselsetiketter og symboler

Detaljert forklaring av symboler på produktet:



Klasse II dobbeltisolert



CE-merket



Se bruksanvisningen



Kun for bruk innendørs



Maks. pasientvekt



Skal ikke kastes som restavfall



Nødstopp/
Nødsenking



Servicelampe



Batterilampe



Unbrakoverktøysymbol for manuell nødsenking



Sertifiseringsorganets merke



Grense for fuktighet



Grense for atmosfærisk trykk



Grense for temperatur



Produsent



Produksjonsdato



Katalognummer



Serienummer



Medisinsk utstyr

Tekniske data

Sikker arbeidsbelastning (SWL)

Molift Air 200: SWL = 205 kg (450 lbs)

Valgfritt SWL-område (innstilling) 160–205 kg

Molift Air 350: SWL = 350 kg (771 lbs)

Valgfritt SWL-område (innstilling) 160–350 kg

Enhetens vekt:

Chassis inkl. batteri, ekskl. løftebøyle:

8,56 kg (18,87 lb)

4-punkts Medium løftebøyle: 2,2 kg/4,8 lb

Batteri:

Art.nr: 2920204 25.6 V LiFePO4 2.4 Ah

Art.nr: 2920007 12 V SLA 2.9 Ah

Batterilader:

Lader for håndkontroll, Mascot – type 3743

Art.nr.: 2540100

100–240 V AC, 50–60 Hz maks 0,5 A

Strømutgang 0,9 A

IRC-strømforsyning, Mascot – type 3721

Art.nr.: 2610119

Inngang: 100-240 VAC, 50-60 Hz maks 1,0 A

Utgang: 24 VDC 1,75 A/42 W

IRC-lader, Mascot – type 3844

Art.nr.: 2640200

Inn: 20–30 VDC 1,3 A

Strømutgang 0,5 A

Løfthastighet

60 mm/sekund (2,36 tommer/sekund)

med 75 kg (165,35 lb) belastning

Kjøremotorens hastighet

0,2 m/sekund (7,87 tommer/sekund)

Beskyttelsesklasse

Håndkontroll IP24

Løftemotor IP24

Sound pressure

52 dBA

Sound power (L_{WA})

63 dB

Betjeningskraft, knapp

Knapper på håndsett: 3,4 N

Materiale:

Aluminium, plast, stål

Forventet levetid:

Løfteren har en forventet levetid på 30 000 sykluser med sikker arbeidsbelastning eller 10 år.

Dimensjoner:

L x B x H (lengde, bredde, høyde uten løper)

36 x 19 x 19,5 cm

(14,2 x 7,5 x 7,7 tommer)

Løfteområde for A Air 200:

300 cm (118 tommer)

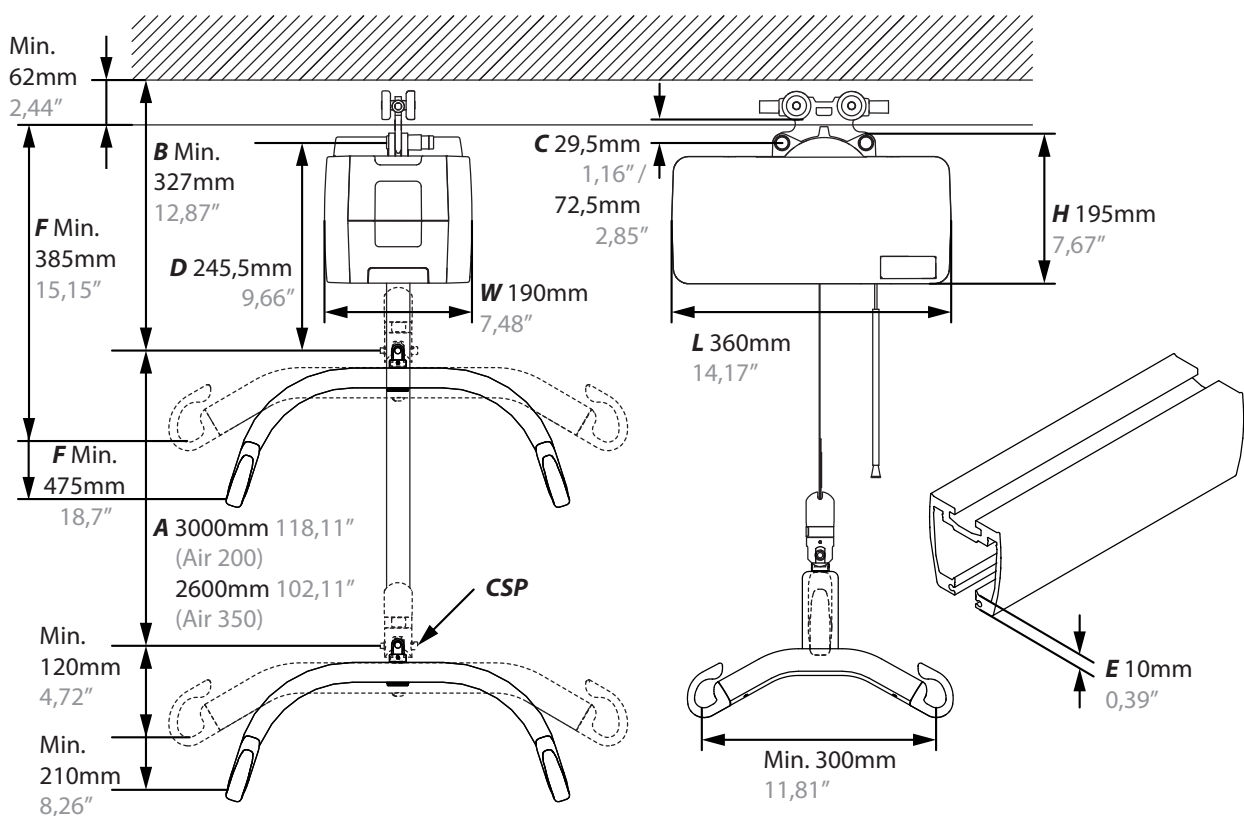
Løfteområde for Air 350:

260 cm (102 tommer)

B (Minsteavstand fra tak til løftebøyle

koblingspunkt) 32,7 cm (12,87 tommer)

Se teknisk håndbok for ytterligere informasjon om tekniske data og hvordan service og reparasjon utføres.



Installasjon

Løfteren er merket med sikker arbeidsbelastning (SWL), som ikke overskrider skinnesystemets maksimale lastekapasitet.

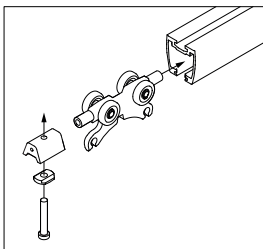


Skinnesystemet skal kun installeres av sertifisert personell i samsvar med gjeldende installasjonsanvisning.



Løfteren må ikke tas i bruk før installasjonen er kontrollert ifølge sjekklisten.

Installasjon av løper



Monter løperen i skinnesystemet. Fjern endestopperen og sett løperen inn på skinnen. Monter endestopperen og kontroller at den sitter som den skal. Se installasjonsdetaljer i BM3401. Etac tilbyr løpere for montering av Molifts heiser i skinnesystemer fra andre produsenter. Kontakt din lokale Etac-representant for mer informasjon om vogner som er kompatible med andre produsenters skinnesystemer.

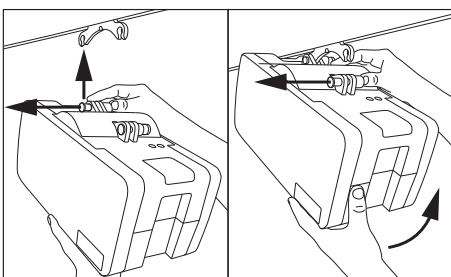


Kontroller at endestopperne er montert i alle ender av skinnesystemet før løfteren brukes!

Installasjon av løfteren

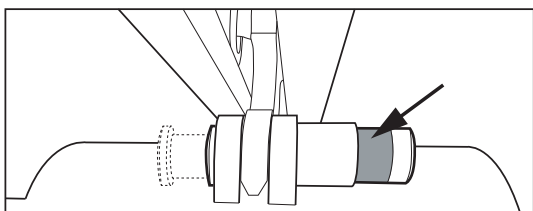


Vær forsiktig ved arbeid i høyden. Vi anbefaler at utstyret installeres av to eller flere personer for å unngå fall og personskade under installasjonen!



Monter løfteren på løperen. Krever ikke verktøy. Løfteren har to koblingspunkter.

Koble til det ene punktet først. Trykk knappen helt inn og sett løfteren i koblingspunktet på løperen. Slipp knappen og kontroller at grønnfargen er synlig før det neste punktet kobles til.



Kontroller at begge knappene på koblingspunktene har gått helt tilbake og at grønnfargen er helt synlig etter installasjonen. Nødsenkingssnoren og slangen kan justeres til riktig lengde (høyde) ved å kappe slangen og snoren.

Installasjon

Bruk denne sjekklisten før løfteren tas i bruk, for å kontrollere at løfteren er riktig montert og at den kan betjenes trygt og riktig.

- Endestopperne på skinnene installeres etter at løperen er montert som beskrevet i BM3401
- Forsikre deg om at løfteren er riktig festet til skinnen, og at det ikke er noen løse deler på løfteren.
- Foreta ett løft med belastning (60–80 kg)
- Kontroller at batteriet er fullt ladet.

Bruke Molift Air

Generelle sikkerhetshensyn

Bruk bare tilbehør og seil som er justert slik at de passer til brukeren, type funksjonsnedsettelse, størrelse, vekt og type forflytning.

Driftspauser/driftssyklus.

Molift Air 200 / 350 må ikke kjøres konstant i mer enn 2 minutter (med maksimal last), deretter hvile i minst 18 minutter. Driftssyklus 10 %. (Intervaller i henhold til standarden ISO-EN 10535)



Ikke monter løfteren på en måte som gjør det vanskelig å koble fra strømkabelen. Trekk ut strømkabelen fra veggkontakten for å isolere systemet.



Hvis den maksimale sikre arbeidsbelastningen for løftebøylen og kroppsstøtten er forskjellig, skal den laveste maksimale lasten alltid brukes



Molift-løftere skal bare brukes til å løfte brukere. Bruk aldri løfteren til å løfte eller flytte gjenstander av noe slag.

Før bruk / daglig kontroll

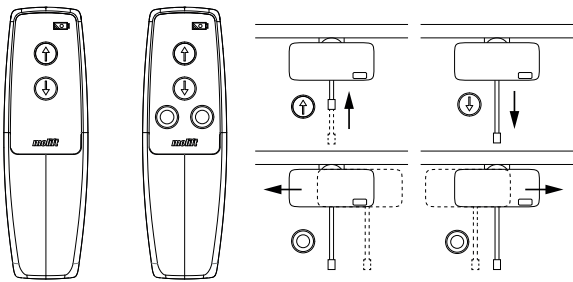
Inspeksjon som skal utføres av pleieren daglig eller før bruk:

- Kontroller at det ikke finnes synlig skade, feil eller deformering på løfteren og skinnesystemet
- Kontroller at festet til løftebøylen og alle avtakbare deler er riktig montert og sikret
- Test nødstopknappen og nødsenkningen
- Kontroller at batteriindikatoren og servicelampen ikke lyser
- Kontroller at det ikke finnes synlig skade eller slitasje på løftestroppen.
- Prøvekjør løfterfunksjonene og kontroller at det ikke kommer unormale lyder fra løfteren

Hvis det er feil eller skader på seilet, må løfteren tas ut av bruk og merkes med «i stand». Ikke utfør service eller vedlikehold på noen deler av Molift Air når den brukes av en pasient.

Håndkontroll

Håndkontrollen har 2 knapper for løfting og senking, eller 4 knapper hvis løfteren er utstyrt med fremdriftsmotor. Håndkontrollen har en indikatorlampe som tennes når batterinivået er lavt og løfteren må lades.

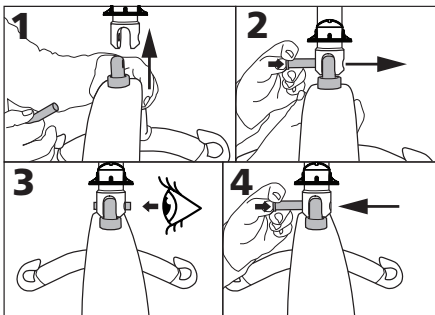


Ikke trekk i håndkontrollen for å flytte løfteren langs skinnen



Liften fungerer ikke hvis håndbetjeningen er koblet til en lader. Koble håndbetjeningen fra laderen før man betjener liften.

Montere løftebøylen

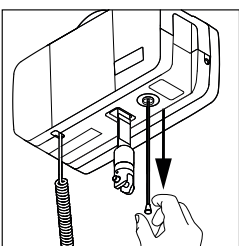


1. Juster løftebøylen i koblingspunktet.
2. Trykk på knappen på låsepinnen og sett den helt gjennom.
3. Kontroller at låsepinnen sitter som den skal
4. Trykk og hold inne knappen på låsepinnen, og trekk ut låsepinnen for å fjerne den.

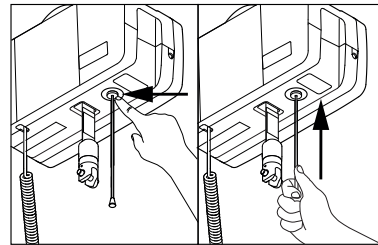
Nødstopp/nødsenking

Nødstopp

Aktivering og tilbakestilling av nødstopp:



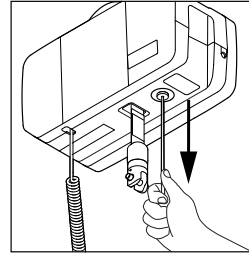
Trekk for å aktivere nødstoppbryteren. Knappen spretter ut og løfteren stopper.



Trykk med en finger eller bruk slangen på snoren til å skyve knappen inn igjen og tilbake til nødstoppknappen.

Elektrisk nødsenking

Trekk og hold for å starte senkingen. Hold til brukeren er senket og kan fjernes fra løftebøylen.



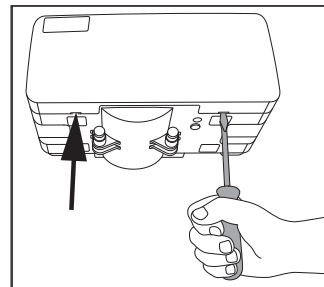
Kun for bruk i nødsituasjoner hvis håndkontrollen ikke fungerer!

Manuell nødsenking



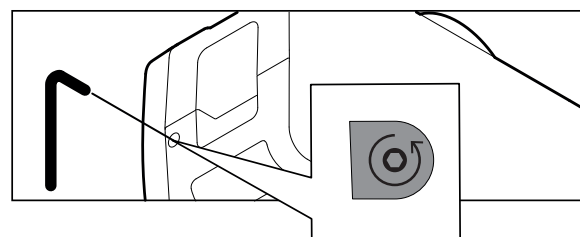
Manuell nødsenking skal kun utføres av service-personell!

Unbrakonøkkel og bit til elektrisk drill finnes inne i løfteren. Fjern dekkelet for å finne dem.



Trykk ned dekkelet og press det utover med en flat skrutrekker eller en mynt i de to sporene for å åpne dekkelet.

Finn klistremerket over hullet for manuell nødsenking. Stikk hull i klistremerket eller fjern det, og sett inn verktøyet. Roter mot urviseren for å senke løftestroppen. Det anbefales å bruke en elektrisk drill.



Service er IKKE nødvendig hvis:

- 1) Den manuelle nødsenkningen på Air-enheten er brukt av en kjent årsak, og
- 2) stroppen er uskadet, og
- 3) enheten fungerer normalt etter den manuelle nødsenkingsprosedyren.

Den nye bremseoverstyringen bidrar til dette ved at komponentene utsettes for mindre belastning ved manuell nødsenkning.

Service er nødvendig hvis det har oppstått en feil på enheten av ukjent årsak og det manuelle nødsenkingsystemet er brukt.

Elektronikk

Transport og lagring

Ved langtidslagring anbefales det å aktivere nødstopppknappen (trukket ut). Løfteren kan lagres og transporteres ved temperaturer mellom -25–70 °C.

Drift

Løfteren er konstruert for bruk ved vanlig romtemperatur (+5 til +40 °C).

Lufttrykk: 70–106 kPa

Relativ fuktighet: 15-90 %

Etter lagring eller transport i andre temperaturer må løfteren stå i et rom med egnet temperatur til den når sikker driftstemperatur.



Medisinsk elektrisk utstyr krever spesielle forholdsregler med hensyn til elektromagnetisk kompatibilitet (EMK). Flyttbart eller bærbart radiokommunikasjonsutstyr kan påvirke det medisinske elektriske utstyret, og skal holdes minst 25 cm (10 tommer) fra elektronikken på løfteren.

Batterier

Molift Air 200/350 er tilgjengelig med 2 x 12 V SLA-batterier eller et 25,6 V LiFePO4-batteri.

SLA-batteriet har en forventet levetid på ca. 500 ladesykluser.

LiFePO4-batteriet har en forventet levetid på ca. 2000 ladesykluser.





Lad batteriet når du mottar det, og deretter hvert halvår, for å unngå batterisvikt.



Batteriene må kastes som spesialavfall ifølge gjeldende bestemmelser. Skal ikke kastes som restavfall. Utskifting av litiumbatterier eller brenselceller av ukvalifisert personell kan medføre fare

Batteri- og serviceindikator på løfteren

	Skrunøkkelsymbol/ serviceindikator
	Batterisymbol/ batteriindikator







Det elektriske systemet har en strømsparefunksjon som slår av det elektriske systemet fem minutter etter siste betjening. Alle indikatorer slukkes.

Systemet aktiveres ved å trykke på én av betjeningsknappene på håndkontrollen.

Batteriindikator på løfteren

Når batteriindikatoren lyser gult, har løfteren tilstrekkelig strøm igjen til minst én fullstendig løftesyklus med maks. belastning.

Når batterinivået blinker gult, er det bare mulig å senke løftebøylen.

Batteriindikator	Batterinivå
	Grønn 80 % eller mer
	Grønn 80-60 %
	Grønn 60-40 %
	Grønn 40-20 %
	Gul 20 %-0 %
	Blinkende gul 0 %

Serviceindikator / periodisk inspeksjon

Elektronikken i løfteren registrerer løftet vekt og antall løft. Etter en bestemt driftsperiode vises et signal om at det er behov for service.

Serviceindikator	Modus
Lyser ikke	Ikke behov for service
Gul	Behov for periodisk inspeksjon
Blinkende grønn	Bestill service
Rød	Utfør service

Serviceomfang

Når løfteren har utført et antall løft (5000 løft med maksimal tillatt vekt (SWL)), lyser serviceindikatoren rødt. Service må deretter utføres av autorisert personell, inkludert inspeksjon og utskifting av slitte deler. Kontakt Etac eller den lokale forhandleren, eller gå til etac.com for å finne en godkjent servicepartner.

Lading

Molift Air kan lades via håndkontrollen med en batterilader, eller via skinnen med In Rail Charging.

Ladeindikator og indikator for strømtilførsel

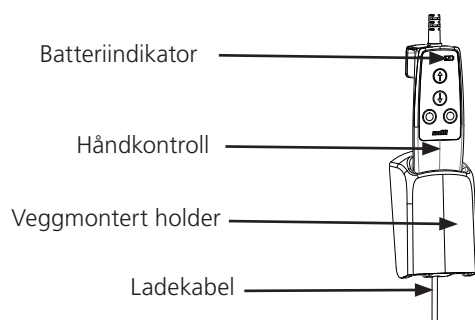
Ladeindikator	Modus
Blinkende grønn	Ikke koblet til løfteren
Gul	Lading
Blinkende gul	Nesten fulladet
Grønn	Fulladet

Indikator for strømtilførsel	Modus
Blå	Koblet til strømuttak

Lading med håndkontrollen

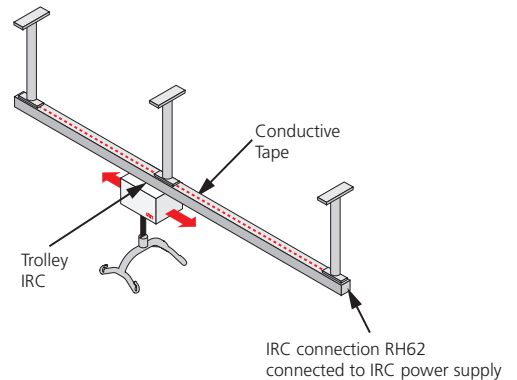
Batteriladeren kobles til en stikkontakt. En veggmontert holder for håndkontrollen er tilgjengelig. Pass på at kabelen ikke blir skadet. Laderen kan være koblet til stikkontakten hele tiden. Bruk bare ladere fra Molift. Håndkontrollen har en indikatorlampe som tennes når batterinivået er lavt og løfteren må lades.

Lader til Molift Air-håndkontroll: Art.nr.: 2540100

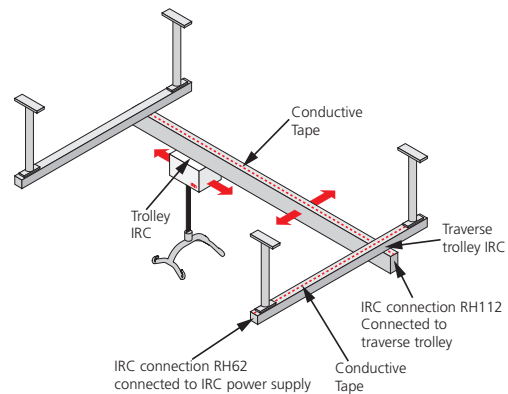


IRC (In Rail Charging)

Løfteren lades gjennom en innebygd lader i løftmotoren for kontinuerlig lading gjennom hele skinnesystemets lengde. Molift Air IRC har en innebygd lader som er koblet til batteriet. Den må installeres med IRC-løperen i et skinnesystem med ledende teip. IRC-løperen er koblet til batteriladeren inni Molift Air IRC. IRC-løperen er alltid i kontakt med den ledende teipen inne i skinnen. IRC-strømforsyningen er koblet til den ledende teipen gjennom IRC-tilkoblingen på enden av skinnen, og forsyner strøm til batteriladeren inni Molift Air IRC.



IRC passer både enkeltskinne- og Travers-systemer.



IRC-strømforsyning

Art.nr.: 2510119

Lader 3844 DC/DC (del av Molift Air IRC)

Art.nr.: 2640101

Forflytning

Planlegg løfteoperasjonen på forhånd for å sikre at den foregår mest mulig trygt og uproblematisk. Husk å arbeide ergonomisk. Vurder risikoen og ta notater. Assistenten er ansvarlig for brukers sikkerhet.

Molift Air kan brukes med 2-punkts og 4-punkts løftebøyle til ulike typer forflytning: sittende, tilbakelent eller oppreist.

Bruke seil

Det er viktig å teste seilet med den individuelle brukeren og i den tiltenkte løftesituasjonen.



Les bruksanvisningen for seilet før bruk.



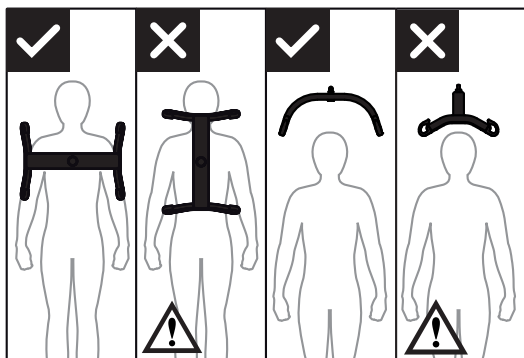
Ikke bruk seil som er skadet eller svært slitte.

Seil fra andre produsenter

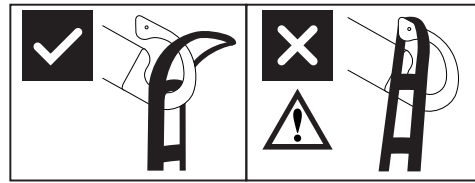
Vi anbefaler å bruke Etac- eller Molift-seil. Løfteren kan kombineres med stropper fra andre produsenter med tilsvarende opphengsløkker. Besøk www.etac.com for kompatibilitetserklæringer mellom heiser og stropper fra andre produsenter. Vær oppmerksom på at den fysiske eller juridiske personen som bruker CE-merkede kompatible enheter fra ulike leverandører er ansvarlig for aktiviteten. Etac kan derfor ikke holdes ansvarlig for noen hendelse.

Løfting og senking

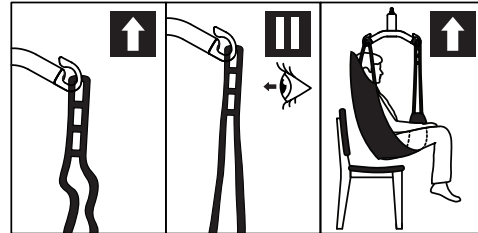
Stå ved siden av brukeren som løftes under forflytning av brukeren. Kontroller at armer og ben ikke kommer i veien for sete, seng osv. Hold øyekontakt med brukeren slik at vedkommende føler seg trygg.



4-punkts løftebøyle skal alltid plasseres i kryss over brukeren for å unngå at brukeren glir ut av seilet ved et uhell.



Kroken på løftebøylen er utformet slik at den hindrer at seilet løsner utilsiktet når det er riktig montert.



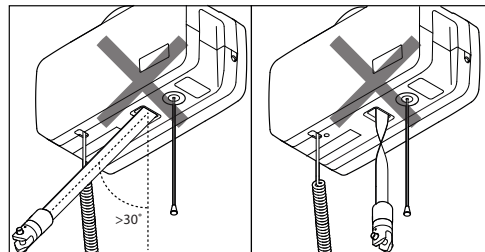
1. Kontroller at seilet sitter som det skal rundt brukeren og at stropløkkene er festet riktig til krokene på løftebøylen.
2. Stram opp seilstroppene uten å løfte brukeren. Kontroller at alle de fire løkkene på seilet er riktig festet, for å unngå at brukeren glir eller faller.
3. Løft pasienten og utfør forflytningen.



Ikke bruk nødstoppen til å slå AV løfteren, unntatt i nødstilfeller.
Løfteren slås AV (standby) automatisk etter fem minutter uten aktivitet.

Vinkelføler

Løfteren er utstyrt med en retningsbestemt sikkerhetsfunksjon som hindrer løfting hvis løftestroppens vinkel er for skarp.



Hvis løfteren ikke reagerer på «opp»-knappen på håndkontrollen, kan det skyldes at løftestroppens vinkel er for skarp, eller at løftebåndet er vridt og føleren er aktivert.

Tilbehør

Ladeledning og plugger.

Pluggadapter EU, art.nr. 2510365

Pluggadapter Storbritannia, art.nr. 2510366

Pluggadapter USA, art.nr. 2510367

Pluggadapter AUS, art.nr. 2510368

Ledning EU, art.nr. 1140105

Ledning Storbritannia, art.nr. 1140106

Ledning USA, art.nr. 1140104

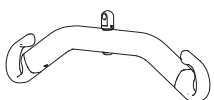
Ledning AUS, art.nr. 1140107

Veggbrakett for lader, art. no. 2610123

Løftebøyler

Molift Air kan brukes med 2- eller 4-punkts løftebøyle.

Løftebøyle i aluminium



2-punkts små, aluminium 350 mm,

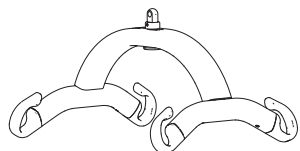
Art.nr.: 2530115

2-punkts medium, aluminium, 450 mm,

Art.nr.: 2530120

2-punkts stor, aluminium, 550 mm,

Art.nr.: 2530125



4-punkts små, aluminium, 350 mm,

Art.nr.: 2530210

4-punkts medium, aluminium, 450 mm,

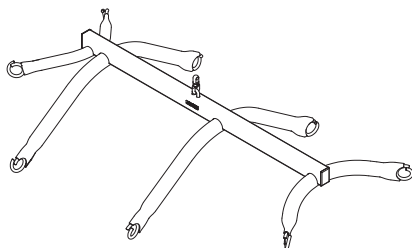
Art.nr.: 2530211

4-punkts stor, aluminium, 550 mm,

Art.nr.: 2530212

4-punkts X-stor, aluminium, 650 mm,

Art.nr.: 2530213



8-punkts løftebøyle for tekstilbåre, stål

Art.nr.: 2140003

Vekt

Molift vektsett (uten løftebøyle)

Art.nr.: 1840000

Kan kombineres med alle Molift Air-kompatible løftebøyler.

Vekten er godkjent for klasse III. Vekten kan også beregne KMI (kroppsmasseindeks) med ett trykk. Les bruksanvisningen som følger med vekten før bruk.

Seil

Etac leverer et bredt utvalg av seil til ulike typer forflytning.

Seilene i Molift RgoSling-serien er utviklet for bruk med 4-punkts løftebøyle med løkkeforbindelser. Seilene fungerer også med 2-punkts løftebøyle. Se kombinasjonslisten i bruksanvisningen for seilene for riktig kombinasjon av seil og løftebøyle.

Seilene i Molift RgoSling-serien er tilgjengelig i størrelse XXS-XXL, i polyester og polyester-netting. En fullstendig liste over seil og løftebøyler er tilgjengelig på www.etac.com.

Molift Rgosling Mediumback Padded (XS-XXL)

Molift Rgosling Highback Padded (XS-XXL)

Molift Rgosling Mediumback Net (XXS-XXL)

Molift Rgosling Highback Net (XXS-XXL)

Molift Rgosling Toilet Lowback (XXS-XXL)

Molift Rgosling Toilet Highback (XXS-XXL)

Molift Rgosling Ampu Mediumback (XXS-XXL)

Molift Rgosling Ampu Highback (XXS-XXL)

Molift Rgosling Ambulating Vest

Molift Rgosling Comfort Highback (S-L)

Molift RgoSling Fabric Stretcher

Molift RgoSling Repositioning

Tillbehør:

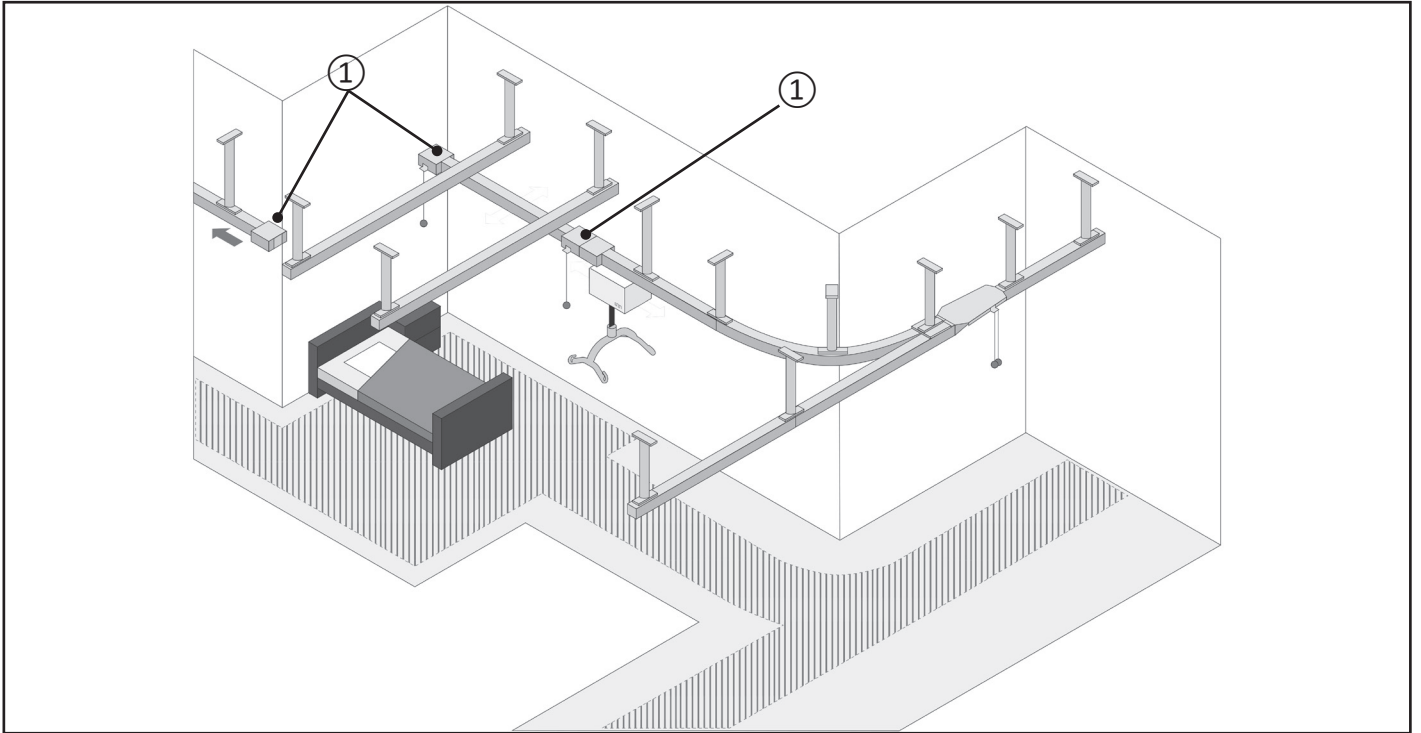
Molift Rgosling Extension Loops

Art.nr.: 1721600

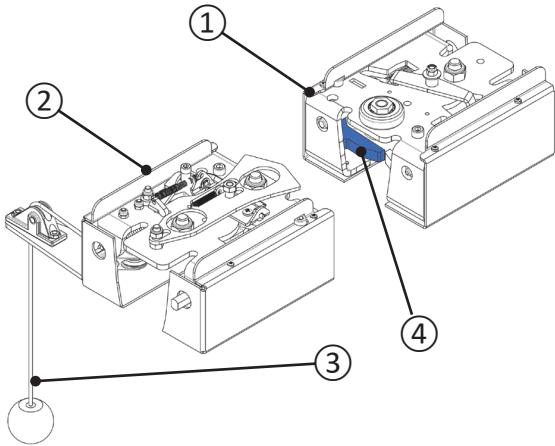
Molift Rgosling Ambulating Vest Groin strap (XXS-XL)

Overgangskobling

Enkelte skinneresystemer har overgangskoblinger ① montert. Disse brukes til å overføre brukeren fra ett skinneresystem til et annet, f.eks. mellom to ulike rom.

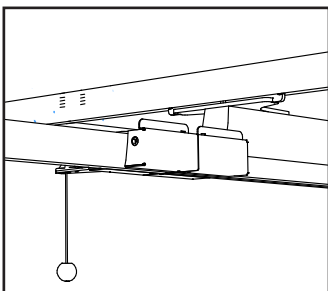


Komponenter

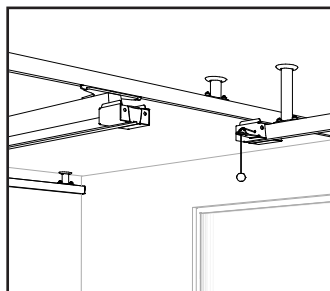


- ① Overgangskoblingsenhet
- ② Overgangskoblingsenhet med remskive
- ③ Remskive med knott
- ④ Port (to stk. per enhet)

Tilstander



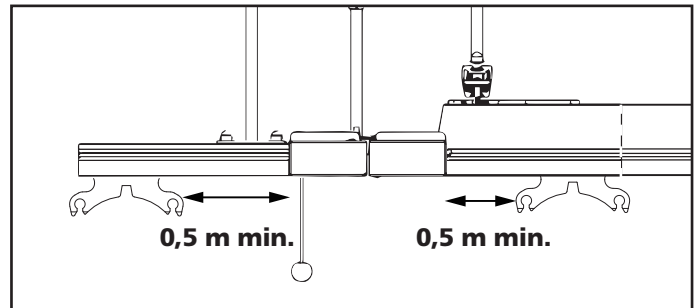
Tilkoblet



Frakoblet

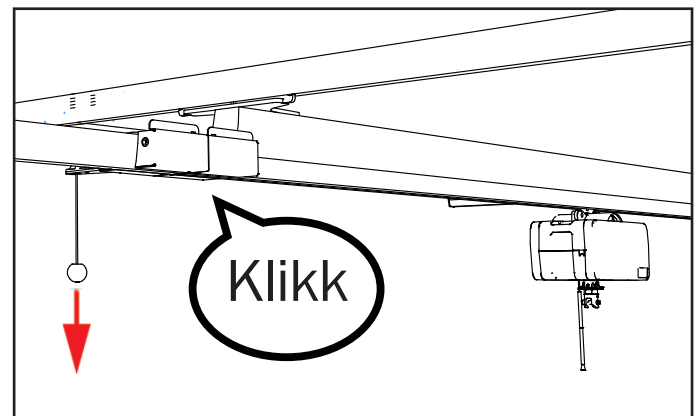
Koble fra

Pass på at løpekatten er min. 0,5 m fra overgangskoblingsenheten før overgangskoblingen kobles fra.



Trekk remskiven ned til den stopper.

Du hører en lyd som bekrefter frakoblingen.

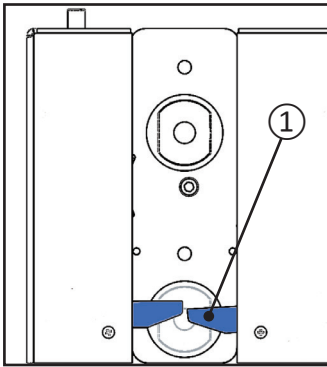


Overgangskoblingen er nå frakoblet.

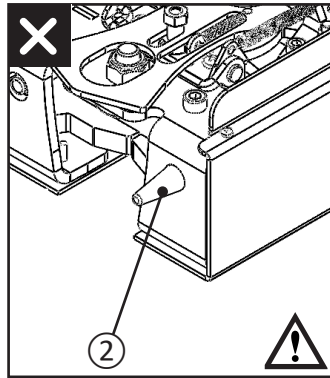
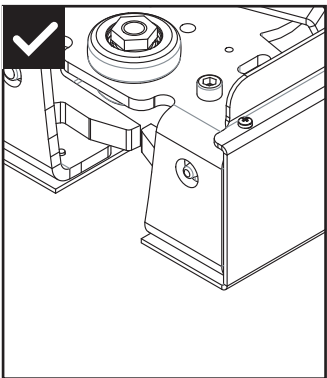
Overføring – frakoblet overgangskobling

Ikke gjennomfør forflytning av bruker før du har sjekket følgende:

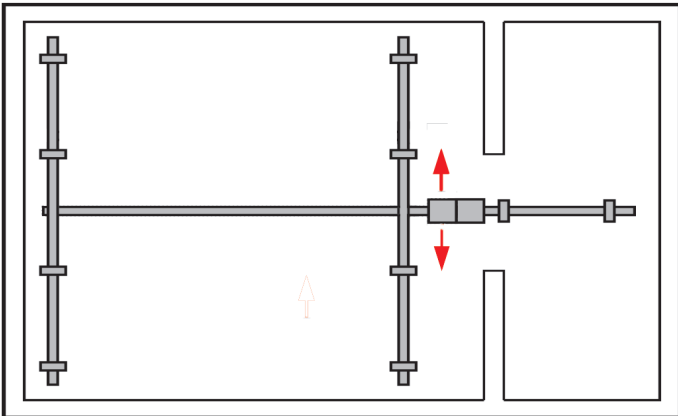
Begge portene ① er synlige (overgangskoblingsenhet sett fra undersiden).



Låsebolten ② skal **ikke** være synlig når koblingen er frakoblet.

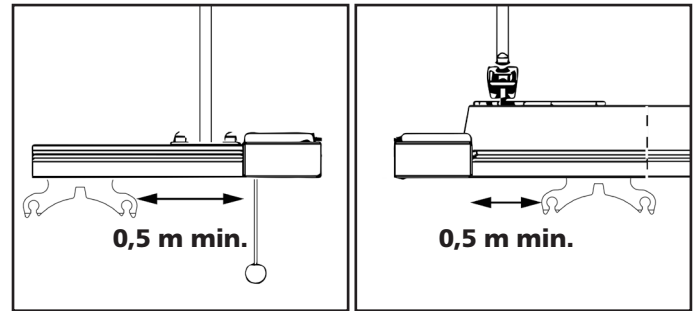


Skyv traversskinnen i ønsket retning.

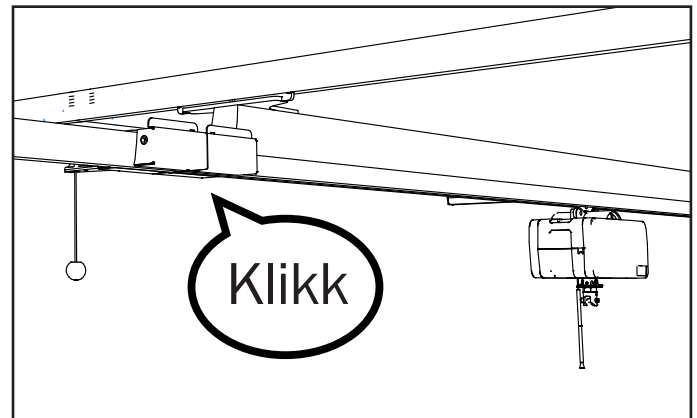


Tilkobling

Pass på at løpekatten er min. 0,5 m fra overgangskoblingsenhetene før overgangskoblingen kobles til.



Skyv traversskinnen mot den stasjonære skinnen slik at overgangskoblingsenhetene kobles sammen og du hører en lyd.



Overføring – tilkoblet overgangskobling

Ikke overfør en bruker før du har kontrollert at overgangskoblingsenhetene er låst helt sammen. Det skal ikke være mulig å skyve skinnene fra hverandre for hånd. Brukeren kan nå flyttes fra én skinne til en annen.

Rengjøring/desinfeksjon

Vaskes regelmessig. Rengjør overflater med en fuktig klut og et egnet pH-nøytralt rengjøringsmiddel. Ikke bruk løsemidler eller sterke væsker. Det kan skade løfterens overflater. Ved nødvendig desinfeksjon: Bruk isopropanol. Unngå slipende rengjøringsprodukter. Kontroller nødstopknappen og nødsenkingen etter rengjøring. Løfteren skal ikke utsettes for rennende vann. Ved montering i miljøer med risiko for fuktighet er det viktig at skinnesystemet og motoren vaskes og tørkes jevnlig. En komplett veiledning for å redusere risikoen for korrosjon er tilgjengelig på forespørsel.



Pass på at etikettene ikke blir skadet eller løsner under rengjøring.



Løfteren og håndkontrollen har beskyttelsesklasse IP24 som indikerer: >12,5 mm beskyttelse mot tilgang til farlige deler og at vann som faller som spray ved enhver vinkel opp til 60° fra vertikalt, ikke skal ha skadelig effekt.



Pleier og bruker eksponeres for følgende materialer: Polypropilen og polyester (løftebøyer*), PC/ABS (håndkontroll og løfterdeksel), pudderbelagt aluminium, pudderbelagt sink (løftebøyer).
* = Anvendt del



I sjeldne tilfeller kan bruker eller pleier som eksponeres for polypropilen og polyester oppleve allergiske reaksjoner som hudirritasjon, mild kløe og ømhet i huden.

Rekondisjonering

Følg prosedyren for rengjøring og installasjon, utfør periodisk inspeksjon og bruk sjekklisten etter installasjon for å rekondisjonere løfteren.

Gjenvinning

Se «Instruksjoner for gjenvinning» for riktig kassering av produktet. Dette er tilgjengelig på www.etac.com.

Reservedeler

En liste over reservedeler er tilgjengelig på forespørsel.

Periodisk inspeksjon, omfang

Periodisk inspeksjon er en visuell undersøkelse (særlig av løfterens bærende konstruksjon og løftemekanisme med festepunkter, brems, betjening, sikkerhetsinnretninger og personløftenheter) ifølge den periodiske inspeksjonsrapporten for Molift Air 200 og 350. Se www.etac.com.



Hvis det oppstår problemer med løfteren, som kan utsette noen for fare, skal løfteren umiddelbart tas ut av drift og merkes med «i ustand». Ikke bruk løfteren før den er reparert. Kontakt din lokale Molift/Etac forhandler/distributør for å rapportere problemer.

Periodisk inspeksjon skal utføres minst én gang i året, eller oftere hvis det er påkrevd i lokale bestemmelser. Inspeksjonen skal utføres av servicepersonell som er autorisert av Etac. Kontakt Etac på molift@etac.com for opplæring og autorisasjon, eller for anbefaling av en godkjent servicepartner.

Ved periodisk inspeksjon skal personen som foretar inspeksjonen fylle ut inspeksjonsrapporten for Molift Air. Rapporten skal arkiveres av personen(e) som er ansvarlig for service på løfteren. Dersom kontrollen avdekker defekter og skader, skal løfteren tas ut av bruk og merkes med «i ustand» til den er reparert.

Feilsøking

Symptom	Mulig årsak/tiltak
Løfteren reagerer ikke på betjening av håndkontrollen	Nødstopknappen er aktivert. Deaktiver ved å trykke knappen inn igjen.
	Elektronikken i løfteren er overopphetet. Vent til den er avkjølt.
	Håndkontrollen er ikke riktig tilkoblet. Håndkontrollen, pluggen eller ledningen kan være ødelagt, og må skiftes.
Løfteren reagerer ikke på opp-knappen på håndkontrollen	Løftestroppens vinkelføler er aktivert. Juster løftestroppen eller flytt løfteren for å redusere vinkelen på løftestroppen.
Løftebåndet går oppover når den elektriske nødsenkingen brukes	Løftebåndet har gått helt ut, og er viklet inn feil vei. Bruk manuell nødsenking.

Viktigt

Denna användarmanual innehåller viktiga säkerhetsanvisningar och information om hur lyften och desstillbehör ska användas. I den här manualen är brukaren den person som lyfts. Vårdgivaren är den person som hanterar och styr lyften.



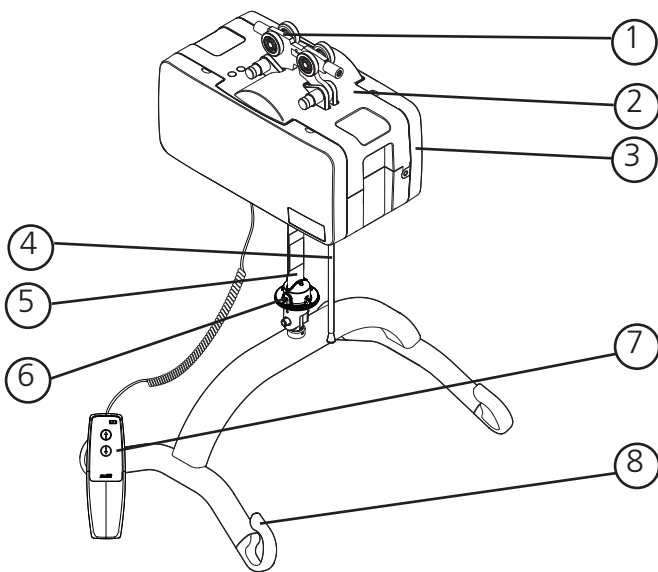
Denna symbol indikerar särskilt viktig säkerhetsinformation. Följ dessa anvisningar nogra.



Läs igenom manualen innan du börjar använda lyften!
Det är viktigt att du förstår innehållet i manualen fullt ut innan du försöker använda utrustningen.

På www.etac.com kan du ladda ned dokumentation så att du garanterat har den senaste versionen.

Molift Air 200/350



Lyftens delar:

1. Åkvagn
2. Lyftdel
3. Sidoskydd
4. Nödstopp/nödsänkning
5. Lyftband
6. Snabbkopplingsprint
7. Handkontroll
8. Lyftbygel

Om Molift Air

Molift Air är en kraftfull och smidig taklyft som används för att flytta patienter och brukare på ett bekvämt och säkert sätt. Den passar även som hjälpmedel vid stå- och gåträning i kombination med tillbehör ur Molifts omfattande tillbehörsprogram. Molift Air är en mycket lätt motor som med sitt snabbkopplingsystem är lätt att hantera vid montering och service.

Allmänt



CE-märkning

Produkten och de tillbehör som beskrivs i denna bruksanvisning överensstämmer med förordning (EU) 2017/745 av den 5 april 2017 som medicinteknisk produkt, riskklass I. Produkten har testats och godkänts av tredje part i enlighet med standarderna IEC 60601-1, IEC 60601-1-2 och EN/ISO 10535:2021. Alla allvarliga incidenter som inträffar och som är relaterade till produkten ska rapporteras till tillverkaren och den behöriga myndigheten i det medlemsland där användaren och/eller patienten bor.

Villkor för användning

Lyft och flyttning av en person medför alltid vissa risker. Endast utbildad personal får använda den utrustning och de tillbehör som beskrivs i denna manual. Installationen av skensystemet måste utföras av behörig personal och i enlighet med tillämpliga installationsanvisningar. Lyften är inte avsedd att styras och hanteras av den person som lyfts.

Modificeringar och användning av komponenter från andra tillverkare.

Vi rekommenderar att endast komponenter och reservdelar från Molift används. Försäkran om överensstämmelse är inte giltig och Etac tar inget garantiansvar om modifieringar har utförts på produkten. Etac tar inget ansvar för fel eller olyckor som kan inträffa om komponenter från andra tillverkare används. Det kan vara riskabelt att använda tillbehör, löstagbara delar och material som inte återfinns i användarmanualen.



Endast behörig personal har rätt att öppna lyften eller något av dess tillbehör för att utföra underhåll eller reparationer. Risk för skador från roterande delar och elstötar.



Garantimeddelande

Två års garanti mot defekter i utförande och material i våra produkter.
Ett års garanti på batterier.
Se www.etac.com för villkor.

Definitioner

”Användaren” i denna användarhandbok är den person som sitter i produkten. ”Vårdgivaren” är den person som manövrerar produkten.

Avsett syfte

Ska användas för lyft och förflyttning av användare som behöver stöd för att lyftas eller förflyttas inom ett skensystem, t.ex. till/ från säng, golv, rullstol, duschstol, toalett eller liknande. Kan även användas för gångträning i kombination med Ambulating Vest.

Avsedd målgrupp

Används för brukare som behöver stöd vid lyft och förflyttningar eller vid gåträning, t.ex. personer med begränsad rörelseförmåga som behöver kroppsstöd vid förflyttningar. Inte en uttömmande lista.

Avsedd miljö

För inomhusbruk i ett skensystem för akutvård, långtidsvård eller hemvård.

Indikationer

Enheten kan användas för barn, vuxna och äldre personer med behov av stöd vid lyft och förflyttning eller vid gångträning, i ett skensystem.

Enhetens målgrupp baseras på individuell hälsa och funktionsförmåga och inte på ett specifikt hälsotillstånd eller en specifik ålder.

Kontraindikationer

Det finns inga kända kontraindikationer för lyften, se dock till att selen passar användaren.



Klass II, dubbel isolering



CE-märkt



Se manual



Endast för inomhusbruk



Max brukarvikt



Får inte kasseras i hushållssoporna



Nödstopp/
nödsänkning



Servicelampa



Batterilampa



Insexnyckelsymbol för manuell nödsänkning



Certifieringsorganets märke



Fuktighetsgräns



Lufttrycksgräns



Temperaturgräns



Tillverkare



Tillverkningsdatum



Katalognummer



Serienummer

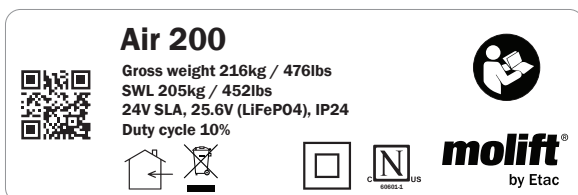


Medicinteknisk produkt

Produktidentifiering

Produktetikett

Produktetiketten har en streckkod med artikelnummer, serienummer och tillverkningsdatum:



Varningsetiketter och symboler

Närmare beskrivning av de symboler som finns på produkten:

Tekniska data

Säker arbetsbelastning (SWL)

Molift Air 200: SWL = 205 kg (450 lbs)

Tillval SWL-intervall (inställning) 160–205 kg

Molift Air 350: SWL = 350 kg (771 lbs)

Tillval SWL-intervall (inställning) 160–350 kg

Enhetens vikt:

Chassi inkl. batteri, exkl. lyftbygel:

8,56 kg

4-punkts medium lyftbygel: 2,2 kg

Batteri:

Art: 2920204 25,6 V LiFePO4 2,4 Ah

Art: 2920007 12 V SLA 2,9 Ah

Batteriladdare:

Laddare för handkontroll, Mascot – typ 3743

Art.nr: 2540100

100–240 V AC, 50–60 Hz max 0,5 A

Utgångsström 0,9 A

IRC-strömförsörjning, Mascot – typ 3721

Art.nr: 2610119

Ingångsström: 100–240 VAC, 50–60 Hz max 1,0 A

Utgångsström: 24 VDC 1,75 A/42 W

IRC-laddare, Mascot – typ 3844

Art.nr: 2640200

In: 20–30 VDC 1,3 A

Utgångsström 0,5 A

Lyfthastighet

60 mm/sekund

med 75 kg belastning

Drivmotorns hastighet

0,2 m/sekund

Skyddsklass

Handkontroll IP24

Lyftmotor IP24

Sound pressure

52 dBA

Sound power (L_{WA})

63 dB

Tryckkraft, knapp

Knappar på handkontroll: 3,4 N

Material:

Aluminium, plast, stål

Förväntad livslängd:

Lyften har en förväntad livslängd på 30 000 cykler SWL eller 10 år.

Mått:

L x B x H (längd, bredd, höjd utan åkqvagn)

36 x 19 x 19,5 cm

A Air 200 Lyftområde:

300 cm

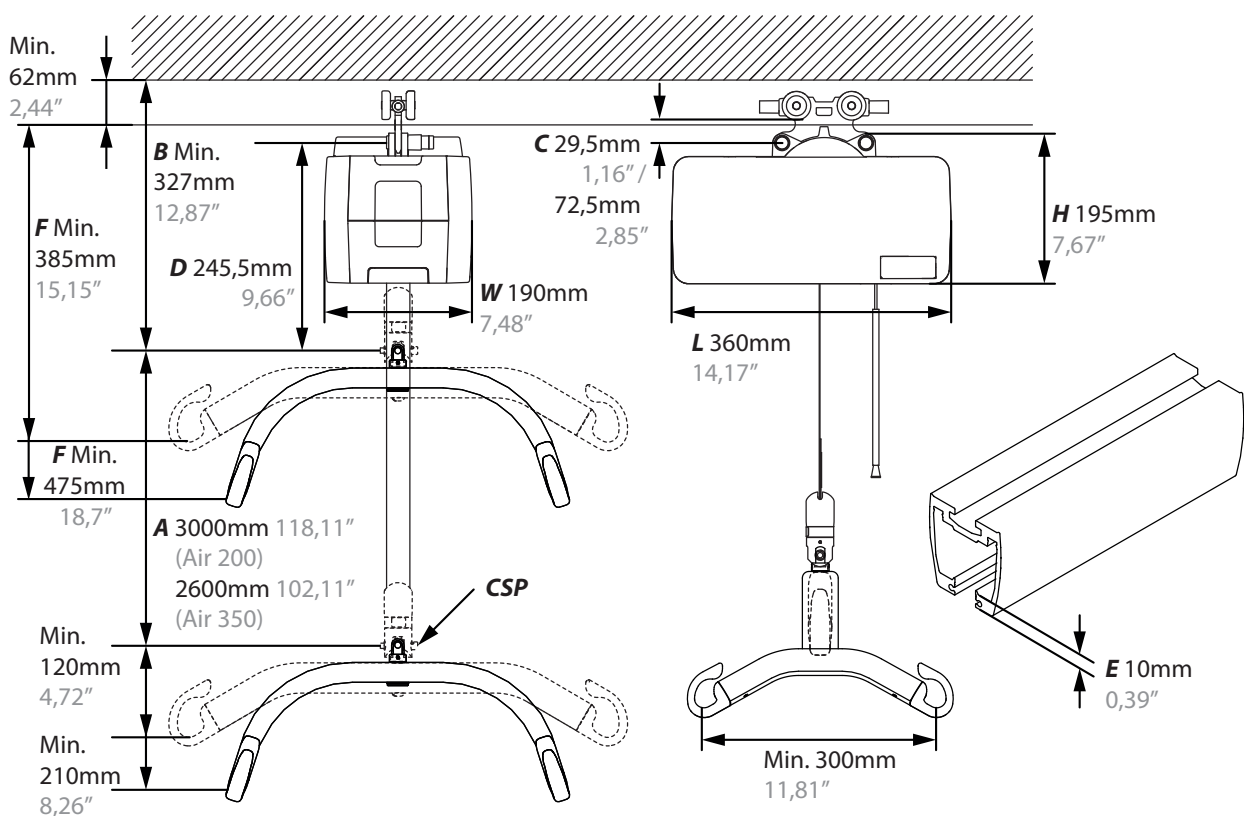
Air 350 Lyftområde:

260 cm

B (minimimått från tak till lyftbygelns

anslutningspunkt) 32,7 cm

För mer information om tekniska data, utförande av service och reparationer, se teknisk manual.



Installation

Lyften är märkt med Safe Working Load (SWL), d.v.s. säker arbetsbelastning. Denna får inte vara högre än skensystemets maximala belastningskapacitet.

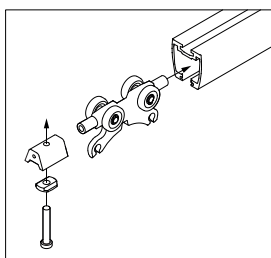


Skensystemet får endast installeras av behörig personal och i enlighet med tillämpliga installationsanvisningar.



Börja inte använda lyften förrän kontroll har genomförts enligtchecklistan efter installation.

Installation av åkvagnen



Montera åkvagnen i skensystemet. Ta bort ändstoppet och för in åkvagnen i skenan. Sätt tillbaka ändstoppet och se till att det sitter fast ordentligt. Se BM3401 för detaljer om installationen. Etac erbjuder åkvagnar för montering av Molifts lyftar i skensystem från andra tillverkare. Kontakta din lokala Etacrepresentant för mer information om åkvagnar kompatibla med andra tillverkares skensystem.

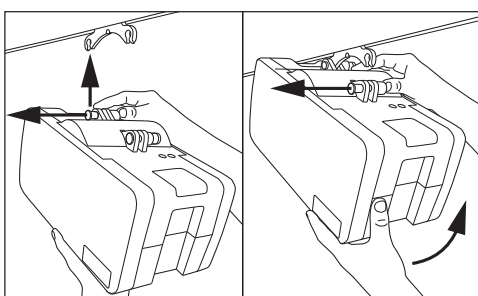


Se till att ändstopp är monterade på alla skensystemets ändar innan du börjar använda lyften!

Installation av lyftdelen

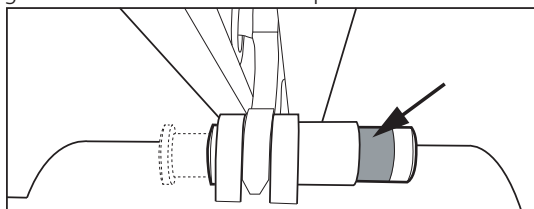


Var försiktig vid arbete på hög höjd. Vi rekommenderar att installationen görs av två eller flera installatörer för att undvika skador och olycksfall!



Montera lyftdelen på åkvagnen. Inga verktyg krävs. Lyftdelen har två anslutningspunkter.

Börja med att ansluta en av punkterna. Tryck in knappen så långt det går och placera lyftdelen i anslutningsdelen på åkvagnen. Släpp knappen och var noga med att se till att den visar tydligt grönt innan du ansluter nästa punkt.



Se till så att båda anslutningspunkternas knappar återgår helt till ursprungsläget och visar tydligt grönt efter installationen. Linan och röret för nödsänkning kan anpassas till korrekt längd (höjd) genom att kapa dem.

Installation

Före användning använder du denna checklista för att kontrollera att lyften är installerad på rätt sätt och kan fungera korrekt och säkert.

- Ändstopp har satts på plats på skenorna efter montering av åkvagnen enligt BM3401
- Kontrollera att lyften är ordentligt monterad i skenan och att lyften inte har några lösa delar.
- Utför ett lyft med belastning (60–80 kg)
- Kontrollera att batteriet är fulladdat.

Så här använder du Molift Air

Allmänna säkerhetsåtgärder

Använd endast tillbehör och selar som är justerade för att passa brukaren, typ av funktionshinder, kroppsstorlek, vikt och typ av flyttning.

Arbetspausförhållande/pulslängdscykel.

Molift Air 200/350 får inte köras konstant i mer än 2 minuter (vid maximal belastning) och varje pausska vara minst 18 minuter. Pulslängds-cykel 10 %. (Paus enligt standarden ISO-EN 10535)



Placera inte lyften på ett sätt som gör det svårt att koppla bort nätkabeln. För att isolera systemet, dra ut nätsladden från vägguttaget.



Om den maximala belastningen (SWL) är olika för lyftbygeln och selen eller annat lyfttillbehör ska alltid den lägsta maxbelastningen användas



Molift-lyftar ska endast användas för att lyfta personer. Använd aldrig lyften för att lyfta eller flytta någon typ av föremål.

Före användning/daglig kontroll

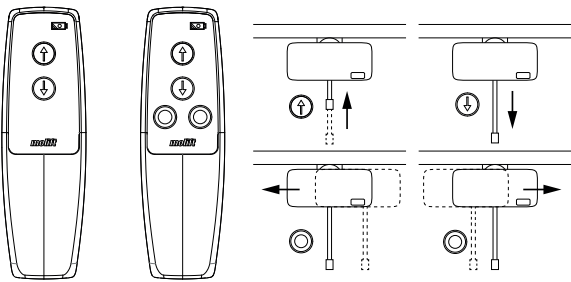
Följande inspektion ska utföras dagligen eller före användning:

- Se efter om lyften och skensystemet har några synliga skador, defekter eller deformationer
- Se till att lyftbygeln koppling och alla borttagbara delar sitter ordentligt fast
- Testa nödstoppknappen och nödsänkning
- Kontrollera att batteriindikatorn och servicelampan inte lyser
- Se efter om lyftbandet har synliga skador eller tecken på slitage.
- Testkör lyftens manöverfunktioner och se till att lyften inte avger onormala ljud

Vid fel eller brister ska lyften tas ur drift och märkas med "ur funktion". Inga delar av Molift Air får ges service eller underhåll medan de används med en patient.

Handkontroll

Handkontrollen har två knappar för höjning och sänkning, alternativt fyra knappar om lyften är utrustad med framdrivning. Handkontrollen är försedd med en indikatorlampa som tänds när batterinivån är låg och lyften behöver laddas

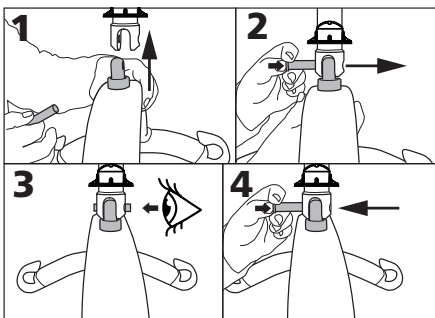


Dra inte i handkontrollen för att flytta lyften längs skenan



Lyften fungerar inte om handkontrollen är ansluten till en laddare. Koppla bort handkontrollen från laddaren innan du manövrerar lyften.

Montering av lyftbygel

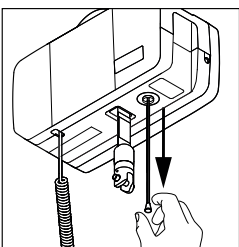


1. Passa in lyftbygel i anslutningspunkten.
2. Tryck på knappen på låstappen och tryck in så långt det går.
3. Se till så att låstappen sitter fast ordentligt
4. Tryck och håll ner knappen på låstappen och dra för att ta bort låstappen.

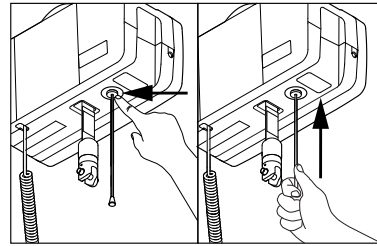
Nödstopp/nödsänkning

Nödstopp

Aktivera och återställa nödstoppet:



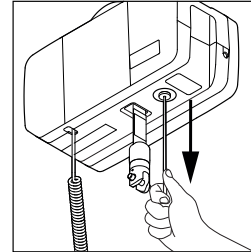
Dra för att aktivera nödstoppet. Knappen trycks ut och lyften stannar.



För att återställa nödstoppet trycker du antingen tillbaka knappen med fingret eller drar i röret som hänger i linan.

Elektrisk nödsänkning

Dra och håll fast för att påbörja sänkningen. Håll till dess brukaren har sänkts ned så att lyftbygel kan avlägsnas.



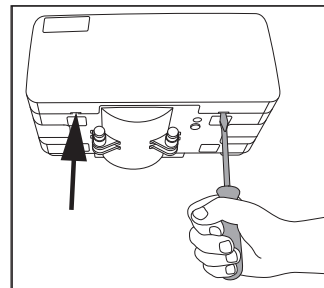
Endast i nödfall när handkontrollen inte fungerar!

Manuell nödsänkning

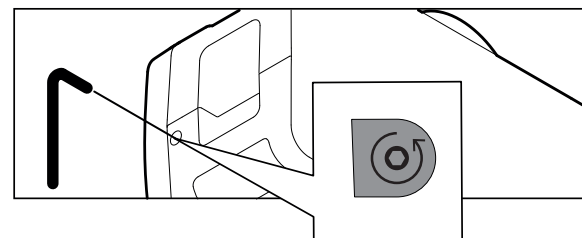


Manuell nödsänkning får endast utföras av servicepersonal!

Insexnyckel eller bits för bormaskin finns inuti lyften. Ta bort skyddet för att hitta dem.



Tryck nedåt och tryck skyddet utåt med en platt skruvmejsel eller ett mynt i de två skärorna för att öppna skyddet. Leta upp dekalen som täcker hålet för manuell nödsänkning. Gör ett hål i eller ta bort dekalen och för in verktyget. Vrid moturs för att sänka lyftbandet. Bormaskin rekommenderas.



Service behövs INTE om:

- 1) Manuell nödsänkning har använts för en känd orsak, och
- 2) lyftbandet är oskadat, och
- 3) lyften fungerar normalt efter att den manuella nödsänkningen har utförts.

“Brake Release” funktionen bidrar till att göra manuell nödsänkning mindre påfrestande för lyftkomponenterna.

Om manuell nödsänkning har använts på grund av ett fel på lyften, ska den skickas till service.

Elektronik

Transport och förvaring

Vid förvaring under längre perioder rekommenderas det att nödstoppknappen är aktiverad (utdragen). Lyften kan förvaras och transporteras vid temperaturer mellan -25 och 70 °C.

Användning

Lyften är utformad för användning i vanlig rumstemperatur (+5 till +40°C).

Lufttryck: 70–106 kPa

Relativ luftfuktighet: 15–90 %

Om förvaring eller transport skett vid andra temperaturer än de som anges ovan ska lyften ställas i ett rum med lämplig temperatur tills den nått säker drifttemperatur.



Elektrisk utrustning för medicinskt bruk kräver särskilda säkerhetsåtgärder avseende elektromagnetisk kompatibilitet (EMC). Bärbar eller mobil radiokommunikationsutrustning kan påverka den medicintekniska utrustningen och bör förvaras minst 25 cm från lyftens elektronik.

Batterier

Molift Air 200/350 finns med ett 2 x 12 V SLA-batteri eller ett 25,6 V LiFePO4-batteri.

SLA-batteriet har en förväntad livslängd på ca 500 laddningscykler.

SLA-batteriet har en förväntad livslängd på ca 2 000 laddningscykler.





Ladda batteriet vid leverans och därefter var sjätte månad för att undvika batterifel.



Använda batterier måste kasseras som specialavfall i enlighet med lokala regler och bestämmelser. Får inte kasseras i hushållssoporna. Om byte av litiumbatterier eller bränsleceller utförs av personal som saknar adekvat utbildning kan det innebära fara

Batteri- och serviceindikator på lyft







	Skiftnyckelsymbol/ servicelampa
	Batterisymbol/ batteriindikator

Det elektriska systemet har en strömsparfunktion som stänger av systemet efter fem minuters inaktivitet. Då släcks även alla indikatorer.

Systemet aktiveras genom ett tryck på någon av manöverknapparna på handkontrollen.

Batteriindikator på lyft

När batteriindikatorn lyser gult har lyften tillräckligt med effekt för minst en hel lyftcykel med maximal belastning. När batteriet blinkar gult går det endast att sänka lyftbygel.

Batteriindikator	Batterinivå
	Grönt 80 % eller mer
	Grönt 80–60 %
	Grönt 60–40 %
	Grönt 40–20 %
	Gult 20 – 0 %
	Gult blinkande 0 %

Serviceindikator/periodisk inspektion

Lyftens elektronik registrerar de laster som lyfts och antalet lyft. Efter en given drifttid ges en signal för att indikera att lyften behöver service.

Serviceindikator	Ljus
Inget ljus	Ingen service behövs
Gult	Periodisk inspektion behövs
Grönt blinkande	Beställ service
Rött	Utför service

Serviceens omfattning

När lyftanordningen har genomfört ett antal lyft (5 000 lyft med maximal tillåten vikt (SWL)) kommer serviceindikatorn att tändas med rött ljus.

En service måste då utföras av behörig personal, inklusive inspektion och byte av slitna delar.

Kontakta Etac eller din lokala återförsäljare eller besök etac.com för att hitta en godkänd servicepartner.

Laddning

Molift Air kan laddas på två sätt: via handkontrollen med en batteriladdare eller via skenan med In Rail Charging (IRC).

Laddindikator och nätindikator

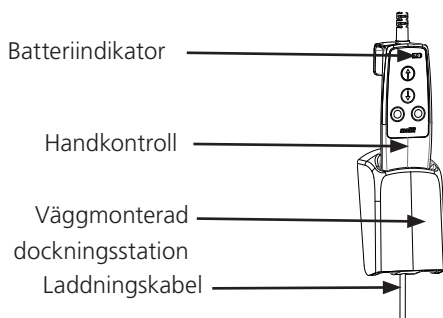
Laddningsindikator	Ljus
Grönt blinkande	Inte ansluten till lyft
Gult	Laddar
Gult blinkande	Fulladdning
Grönt	Fulladdat

Nätindikator	Ljus
Blått	Ansluten till eluttag

Laddning via handkontrollen

Batteriladdaren ansluts till ett eluttag. Vägghävdad dockstation för handkontrollen finns. Var försiktig så att kabeln inte skadas. Laddaren kan ständigt vara ansluten till eluttaget. Använd endast Molift-laddare. Handkontrollen har en indikatorlampa som tänds när batterinivån är låg och lyften behöver laddas.

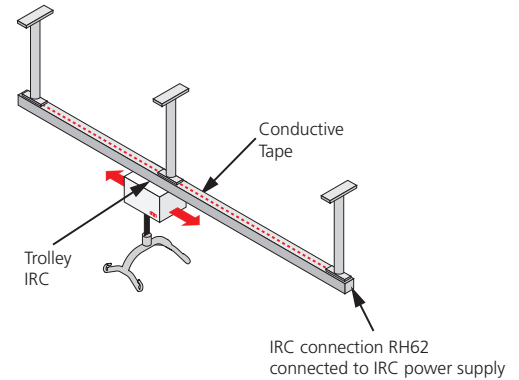
Laddare för Molift Air handkontroll: Art.nr: 2540100



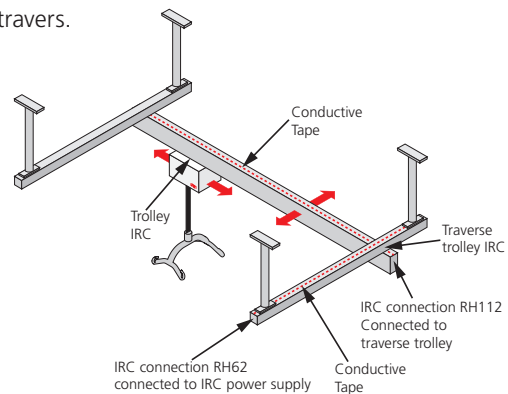
IRC (In Rail Charging)

Lyften laddas genom en inbyggd laddare i lyftmotorn för kontinuerlig laddning längs hela skensystemet.

Molift Air IRC har en inbyggd laddare som är ansluten till batteriet. Den måste installeras med IRC-åkvagnen i ett skensystem med ledande tejp. IRC-åkvagnen är ansluten till batteriladdaren inne i Molift Air IRC. IRC-vagnen är alltid i kontakt med den ledande tejpens inne i skenan. IRC-strömförsörjningen är ansluten till den ledande tejpens genom IRC-anslutning i slutet av skenan och tillför ström till batteriladdaren inne i Molift Air IRC.



IRC passar för både system med enkel skena och system med travers.



IRC-strömförsörjning

Art.nr: 2510119

Laddare 3844 DC/DC (del av Molift Air IRC)

Art.nr: 2640101

Överföring

Planera lyftmomentet före lyft, så att det sker så tryggt och smidigt som möjligt. Tänk på att arbeta ergonomiskt. Gör en riskbedömning och dokumentera. Vårdgivaren är ansvarig för brukarens säkerhet.

Molift Air kan användas med både 2-punkts och 4-punkts lyftbygel för olika typer av förflyttningar: sittande, halvliggande eller ambulerande.

Användning av sele

Det är viktigt att selen är utprovad för den enskilda brukaren och den avsedda lyftsituationen.



Läs igenom selens manual före användning.



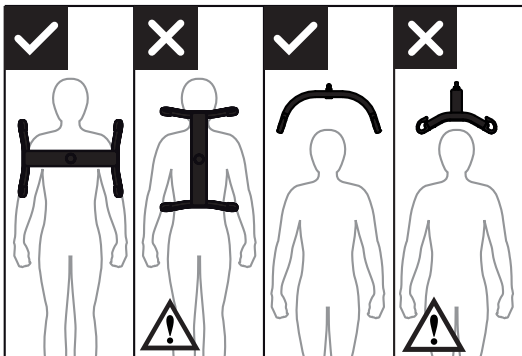
Använd inte skadade eller mycket slitna selar.

Selar från andra tillverkare

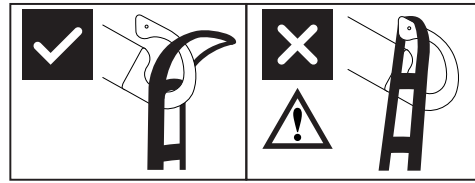
Vi rekommenderar att använda Etac eller Molift selar. Vid bruk av selar från andra tillverkare rekommenderar vi att använda Etac eller Molift selar. Lyften kan kombineras med selar från andra tillverkare med liknande upphängningsöglor. Besök www.etac.com för utlåtande om kompatibilitet mellan lyft och sele från andra tillverkare. Observera att den fysiska eller juridiska personen som använder CE-märkta kompatibla enheter från olika leverantörer ansvarar för aktiviteten. Etac kan således inte hållas ansvarig för eventuell incident. För mer information om kompatibilitet mellan lyft och sele från andra tillverkare, besök www.etac.com.

Lyftning och sänkning

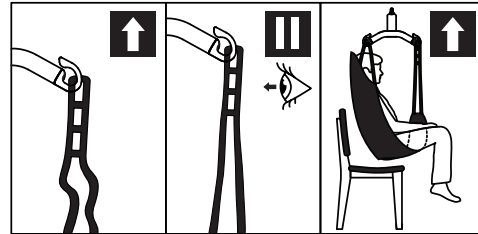
Stå vid sidan av brukaren när du lyfter honom/henne. Kontrollera att armar och ben inte hamnar i vägen för stol, säng eller liknande. Håll ögonkontakt med brukaren så att han/hon känner sig trygg.



Fyrpunktslyftbygel ska alltid placeras på tvären över brukaren för att förhindra att brukaren glider ur lyftselen av misstag.



Lyftbygelns utformning med krokar förhindrar att selen oavsiktligt kopplas loss, förutsatt att den är korrekt monterad.



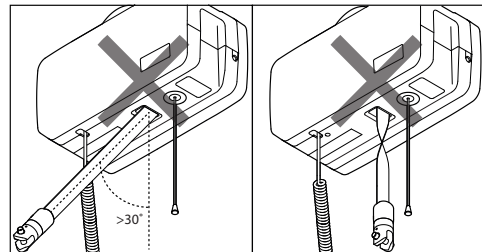
1. Kontrollera att selen är rätt applicerad på brukaren och att bandöglorna sitter som de ska i lyftbygelns krokar.
2. Sträck selens band utan att brukaren lyfts. Se till att krokarna sitter ordentligt fast i selens alla fyra öglor för att förhindra att brukaren glider eller faller ned.
3. Lyft brukaren och utför förflyttningen.



Använd inte nödstoppet för att stänga av lyftanordningen, utom i nödfall. Lyftanordningen stängs av (standby) automatiskt efter fem minuters inaktivitet.

Vinkelsensor

Lyften har en säkerhetsfunktion som förhindrar lyft om lyftbandets vinkel är för brant.



Om lyften inte reagerar när du trycker på uppåtknappen på handkontrollen kan det bero på att sensorn aktiverats på grund av att lyftbandets vinkel är för brant eller att lyftbandet har snott sig.

Tillbehör:

Laddningssladdar och laddningskontakter.

Strömadapter EU, art.nr 2510365

Strömadapter UK, art.nr 2510366

Strömadapter US, art.nr 2510367

Strömadapter AUS, art.nr 2510368

Sladd EU, art.nr 1140105

Sladd UK, art.nr 1140106

Sladd US, art.nr 1140104

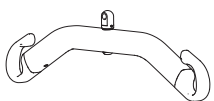
Sladd AUS, art.nr 1140107

Väggfäste för laddare, art. no. 2610123

Lyftbyglar

Molift Air kan användas med 2- eller 4-punkts lyftbygel.

Lyftbygel av aluminium



2-punkts Small, aluminium, 350 mm,

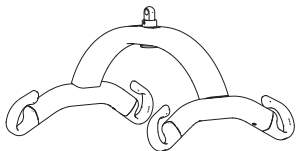
Art.nr.: 2530115

2-punkts Medium, aluminium, 450 mm,

Art.nr.: 2530120

2-punkts Large, aluminium, 550 mm,

Art.nr.: 2530125



4-punkts Small, aluminium, 350 mm,

Art.nr.: 2530210

4-punkts Medium, aluminium, 450 mm,

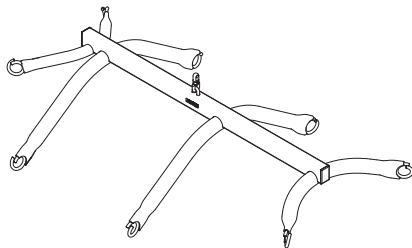
Art.nr.: 2530211

4-punkts Large, aluminium, 550 mm,

Art.nr.: 2530212

4-punkts X-Large, aluminium, 650 mm,

Art.nr.: 2530213



8-punkts lyftbygel för Fabric Stretcher, stål

Art.nr: 2140003

Våg

Molift vågsats (utan lyftbygel)

Art.nr: 1840000

Kan kombineras med alla Molift Air-kompatibla lyftbyglar. Vågen är klass III-godkänd. Vågen kan även räkna ut BMI (Body Mass Index) med ett enda tryck. Läs manualen som medföljer vågen före användning.

Selar

Etac erbjuder ett brett sortiment av selar för olika slags förflyttningar. Molift RgoSling är utvecklad för att kombineras med en 4-punkts lyftbygel med upphängningsöglor. Selen fungerar även med en 2-punkts lyftbygel. Se kombinationslistan i selens manual för att hitta rätt kombination av sele och lyftbygel. Etac Molift RgoSling-selen finns i storlekarna XXS-XXL, i polyester och nätpolyester. En fullständig lista över selar och lyftbyglar finns på www.etac.com

Molift Rgosling Mediumback Padded (XS-XXL)

Molift Rgosling Highback Padded (XS-XXL)

Molift Rgosling Mediumback Net (XXS-XXL)

Molift Rgosling Highback Net (XXS-XXL)

Molift Rgosling Toilet Lowback (XXS-XXL)

Molift Rgosling Toilet Highback (XXS-XXL)

Molift Rgosling Ampu Mediumback (XXS-XXL)

Molift Rgosling Ampu Highback (XXS-XXL)

Molift Rgosling Ambulating Vest

Molift Rgosling Comfort Highback (S-L)

Molift RgoSling Fabric Stretcher

Molift RgoSling Repositioning

Tillbehör:

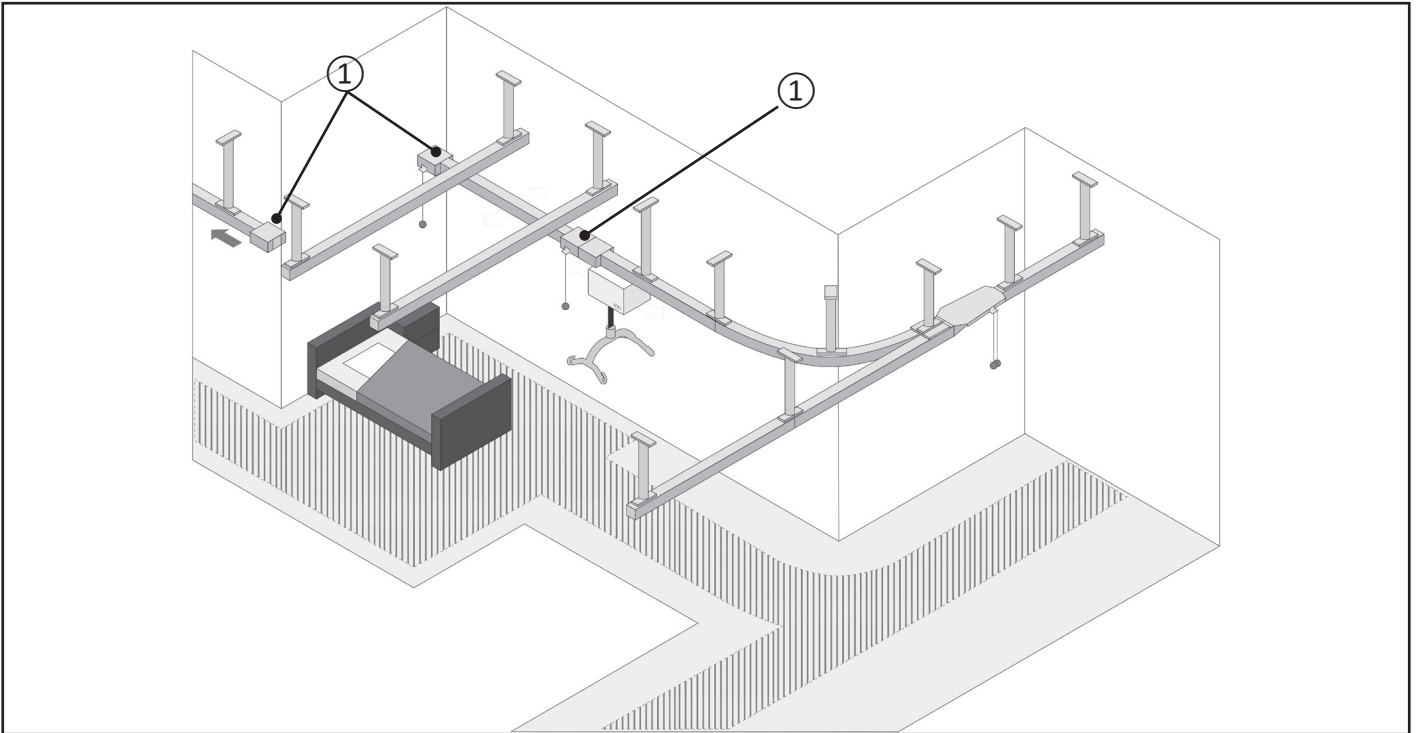
Molift Rgosling Extension Loops

Art.nr.: 1721600

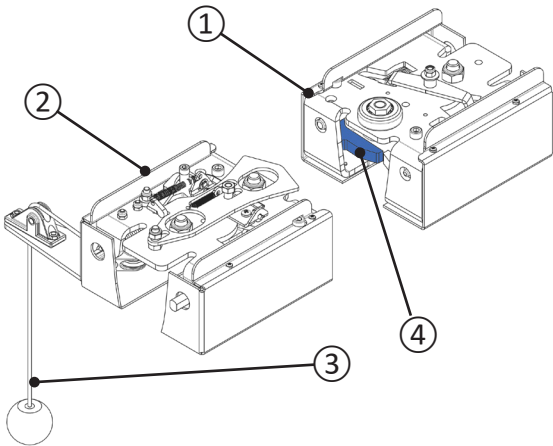
Molift Rgosling Ambulating Vest Groin strap (XXS-XL)

Övergångskoppling

Vissa skensystem är utrustade med övergångskopplingar ①. Dessa används för att användaren ska kunna flyttas från ett skensystem till ett annat, t.ex. mellan två olika rum.

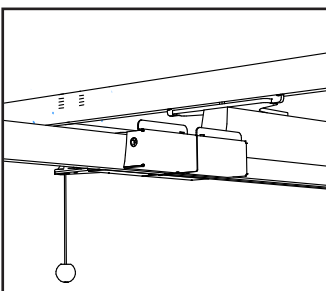


Komponenter

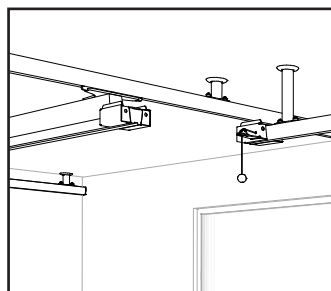


- ① Övergångskopplingsenhet
- ② Övergångskoppling med remskiva
- ③ Remskiva med vred
- ④ Port (två st. per enhet)

Status



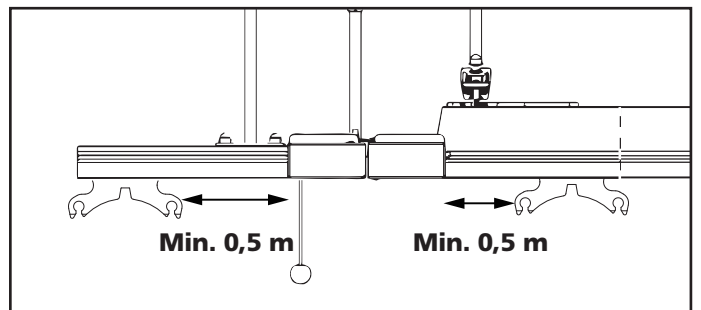
Ansluten



Frånkopplad

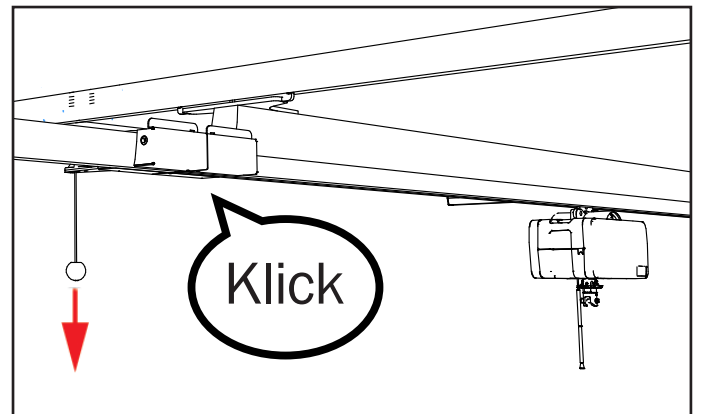
Frånkoppling

Se till att vagnen befinner sig på ett avstånd av minst 0,5 m från övergångskopplingsenheten innan övergångskopplingen kopplas från.



Dra ner remskivan tills det tar stopp.

Ett ljud hörs när frånkoppling sker.

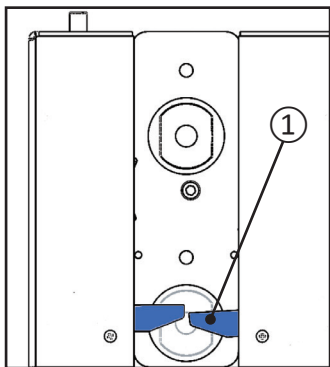


Övergångskopplingen är nu frånkopplad.

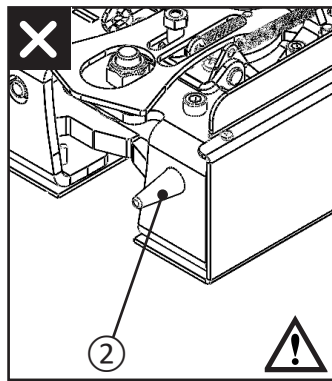
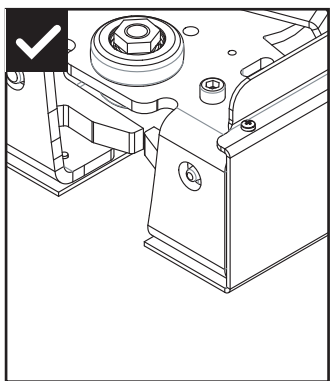
Överföring – frånkopplad övergångskoppling

Överför inte användaren förrän du har kontrollerat följande:

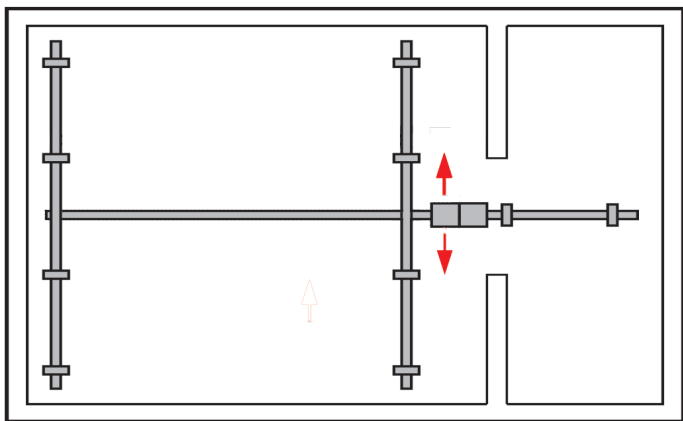
Båda portar ① är synliga (övergångskopplingsenhet sedd underifrån).



Låsbulnen ② får **inte** synas när övergångskopplingen är frånkopplad.

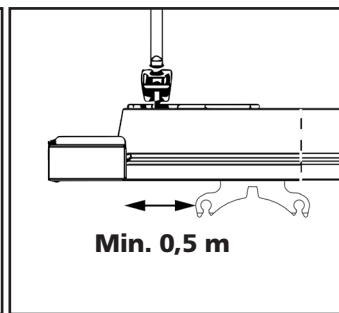
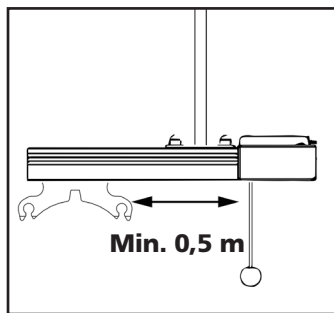


Skjut traversskenan i önskad riktning.

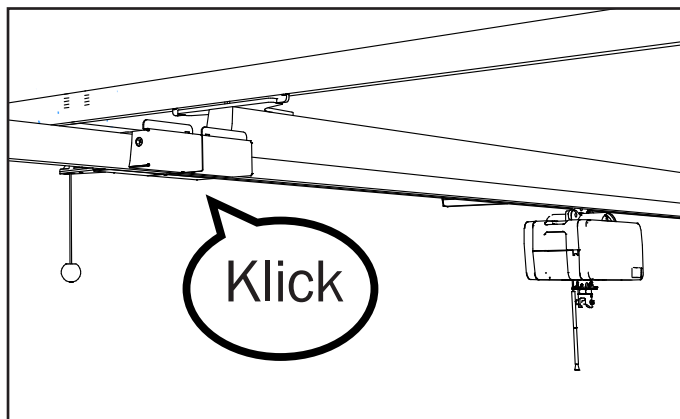


Anslutning

Se till att vagnen befinner sig på ett avstånd av minst 0,5 m från övergångskopplingen innan övergångskopplingsenheterna ansluts.



Skjut traversskenan mot den stationära skenan tills övergångskopplingarna ansluts och ett ljud hörs.



Överföring – ansluten övergångskoppling

Flytta inte användaren förrän du har kontrollerat att övergångskopplingsenheterna är helt ihoplåsta. Det ska inte gå att skjuta isär skenorna för hand.

Användaren kan nu flyttas från en skena till en annan.

Rengöring och desinfektion

Rengör regelbundet. Rengör ytorna med en fuktig trasa och ett lämpligt pH-neutralt rengöringsmedel. Använd inte lösningssmedel eller starka vätskor eftersom det kan orsaka ytskador på lyften. För desinfektion vid behov: använd isopropylalkohol. Undvik slipande rengöringsmedel. Kontrollera nödstopp- och nödsänkfunger efter rengöring. Lyften får inte sköljas i rinnande vatten. Vid installation i miljöer med risk för fukt är det viktigt att skensystemet och motorn regelbundet tvättas och torkas. En komplett guide för att minska risk för korrosion kan fås på begäran.



Undvik att skada eller avlägsna etiketter under rengöring.



Lyftanordningen och handkontrollen har skyddsklass IP24 vilket innebär: >12,5 mm skydd mot åtkomst till farliga delar och att vatten som stänker mot kapslingen från något håll inte har några skadliga effekter.



Vårdgivare och brukare är exponerade för följande material: Polypropen och polyester (selar*), PC/ABS (handkontroll och lyft) pulverbelagt aluminium, pulverbelagt zink (lyftbyglar).
* = applicerad del



I sällsynta fall kan brukare eller vårdgivare som exponeras för polypropen och polyester drabbas av allergiska reaktioner som irritation, mild klåda och hudömhet.

Rekonditionering

Följ anvisningarna för rengöring och installation, genomför periodisk inspektion och använd checklistan efter installation för att rekonditionera lyften.

Återvinning

Se återvinningsanvisningar ("Recycling instructions") för information om hur produkten ska kasseras. De finns på www.etac.com.

Reservdelar

En lista över reservdelar kan fås på begäran.

Periodisk inspektion – omfattning

Periodisk inspektion är en visuell undersökning (framför allt av lyftens lastbärande struktur och lyftmekanism med fästen, bromsar, kontroller, säkerhetsanordningar och selar eller andra lyfttillbehör) enligt rapport för periodisk inspektion (Periodic Inspection Report) för Molift Air 200.

Se www.etac.com



Om säkerhetsrisker föreligger ska lyften omedelbart tas ur drift och tydligt märkas med "ur funktion". Lyften får inte användas igen förrän den är reparerad. Kontakta din lokala Molift/Etac återförsäljare/distributör för att rapportera eventuella problem.

Periodisk inspektion ska genomföras minst en gång om året, eller oftare om lokala bestämmelser kräver det. Inspektionen måste utföras av servicepersonal som auktoriserats av Etac. Kontakta Etac på Molift@etac.com för utbildning och auktorisering eller rekommendation av godkänd servicepartner.

När en periodisk inspektion utförs ska inspektören fylla i inspektionsrapporten för Molift Air. Rapporterna ska bevaras av den/de person(er) som ansvarar för service av lyften. Om inspektionen avslöjar defekter och skador ska lyften tas ur drift och märkas "ur funktion" tills den är reparerad.

Felsökning

Symptom	Möjlig orsak/åtgärd
Lyften svarar inte på handkontrollmanövrar	Nödstoppet är aktiverat. Inaktivera det genom att trycka in knappen igen.
	Lyftens elektronik är överhettad. Vänta tills den svalnar.
	Handkontrollen är inte ordentligt isatt. Handkontrollen, dess kontakt eller sladd kan vara trasig och behöver bytas.
Lyften svarar inte på tryck på uppåtknappen på handkontrollen	Lyftbandets vinkelsensor är aktiverad. Justera lyftbandet eller flytta lyften så att lyftbandet blir mindre vinklat.
När elektrisk nödsänkning används går lyftbandet uppåt	Lyftbandet har dragits ut helt och hållet och har lindats åt fel håll. Använd manuell nödsänkning.

Tärkeää

Tämä käyttöohje sisältää nostoliinan ja lisävarusteiden käyttöön liittyviä tärkeitä turvallisuusohjeita ja tietoja. Käyttöohjeessa asiakkaalla tarkoitetaan nostettavaa henkilöä. Hoitaja on potilasnosturia käyttävä henkilö.



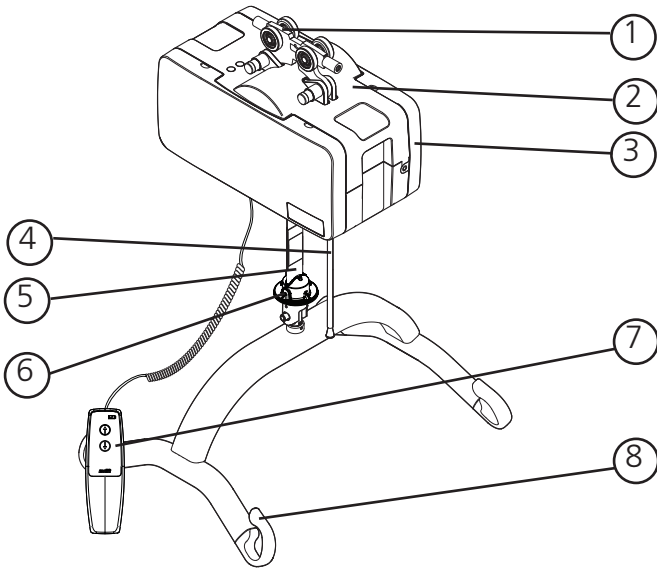
Tämä merkki tarkoittaa tärkeitä turvallisuuden liittyviä tietoja. Noudata näitä ohjeita huolellisesti.



Lue käyttöohje ennen käyttöä! On tärkeää ymmärtää käyttöohjeen sisältö kokonaisuudessaan, ennen kuin yrittää käyttää laitetta.

Lataa dokumentaatio osoitteesta www.etac.com, jotta käytössäsi on varmasti uusin versio.

Molift Air 200/350



Nostimen osat:

1. Vaunu
2. Nostin
3. Sivusuojukset
4. Häätäpysäytys / hätälasku
5. Nostohihna
6. Pikalukitussocka
7. Käsiohjain
8. Liinatanko

Tietoja Molift Airista

Molift Air on vahva ja kätevä, kattoon kiinnitettävä potilasnosturi, jonka avulla potilaat saadaan siirrettyä mukavasti ja turvallisesti. Sopii siirtoon istuallaan, makuulla ja seisaallaan sekä kävellen tehtäviin harjoituksiin yhdessä Moliftin kattavan lisävarustevalikoiman kanssa.

Molift Air issa on erittäin kevyt moottori, joka pikalukituskytkentäjärjestelmään yhdistettynä helpottaa käsittelyä asennuksen ja huollon yhteydessä.

Yleistä



CE-ilmoitus

Tuote ja sen tässä käyttöohjeessa kuvatut lisävarusteet ovat 5.4.2017 annetun asetuksen (EU) 2017/745 mukaisia riskiluokkaan I kuuluvia lääkinnällisiä laitteita. Tuote on testattu ja hyväksytty kolmannen osapuolen toimesta standardien IEC 60601-1, IEC 60601-1-2 ja EN/ISO 10535:2021 mukaisesti.

Kaikista laitteeseen liittyvistä vakavista tapauksista on ilmoitettava valmistajalle ja sen jäsenvaltion toimivaltaiselle viranomaiselle, jossa käyttäjä ja/tai potilas sijaitsee.

Käyttöehdot

Asiakkaan nostamiseen ja siirtämiseen liittyy aina tietty riski, ja ainoastaan koulutettu henkilökunta saa käyttää tässä käyttöohjeessa kuvattuja laitteita ja lisävarusteita. Kiskojärjestelmän asennus on annettava pätevän henkilökunnan tehtäväksi sovellettavien asennusohjeiden mukaisesti. Potilasnosturia ei ole tarkoitettu nostettavan potilaan ohjattavaksi.

Muutokset ja eri valmistajien osien käyttäminen.

Suosittelemme ainoastaan Molift-komponenttien ja -varaosien käyttämistä. Vaatimustenmukaisuusvakuutus ei ole voimassa eikä Etac vastaa takuusta, jos tuotteeseen tehdään muutoksia. Etac ei vastaa vioista ja tapaturmista, joita voi sattua käytettäessä muiden valmistajien komponentteja. Tässä käyttöohjeessa mainitsemattomien lisävarusteiden, irrotettavien osien ja materiaalien käyttö voi olla epäturvallista.



Vain pätevä henkilökunta saa avata nostimen tai sen lisävarusteita huoltoon tai korjaukseen varten. Pyörivistä osista tai sähköiskusta voi aiheutua loukkaantumisen riski.



Takuuilmoitus
Kahden vuoden takuu, joka korvaa työstä ja materiaaleista johtuvat viat tuotteissamme. Yhden vuoden takuu akuille. Katso ehdot osoitteesta www.etac.com.

Määritelmät

Tässä käyttöohjeessa "käyttäjä" on henkilö, joka istuu laitteessa. "Hoitaja" on henkilö, joka ohjaa laitetta.

Käyttötarkoitus

Käytetään sellaisten käyttäjien nostamiseen ja siirtämiseen, jotka tarvitsevat tukea nostamisessa tai siirtämisessä kiskojärjestelmässä, esim. vuoteeseen/vuoteesta, lattialle/lattialta, pyörätuoliin/pyörätuolista, suihku- ja wc-tuoliin/-tuolista, wc-istuimelle/-istuimelta tmv. Sopii myös kävelyharjoitteluun yhdessä liikeliivien kanssa.

Suunniteltu kohderyhmä

Käytetään käyttäjille, jotka tarvitsevat tukea nostamiseen ja siirtämiseen tai askelluskoulutuksen aikana, esim. henkilöillä, joiden liikkuvuus on rajoittunut ja jotka tarvitsevat kehon tukea siirtämisen aikana. Ei kattava luettelo.

Suunniteltu ympäristö

Sisäkäyttöön kiskojärjestelmässä akuuttihoidossa, pitkäaikaishoidossa ja kotihoidossa.

Käyttöaiheet

Laitetta voidaan käyttää lapsille, aikuisille ja iäkkäille henkilöille, jotka tarvitsevat tukea nostamisessa ja siirtämisessä, tai kävelyharjoittelun aikana kiskojärjestelmässä.

Laitteen kohderyhmä perustuu yksilölliseen terveyteen ja liikkuvuuteen, ei erityiseen diagnoosiin tai ikään.

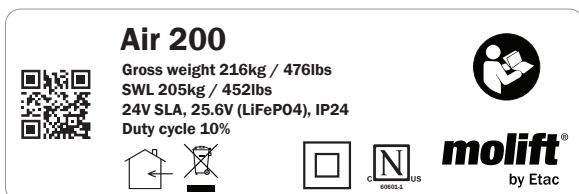
Vasta-aiheet

Nostolaitteelle ei ole tunnettuja vasta-aiheita, mutta nostoliinan sopivuus käyttäjälle on varmistettava.

Tuotteen merkintä

Tuotteen tarra

Tuotetarrojen viivakoodit sisältävät tuotenumeron, sarjanumeron ja valmistuspäivän:



Varoitustarrat ja symbolit

Tuotteessa käytettävät symbolit tarkemmin selitettynä:



Luokan II kaksoiseristys



CE-merkintä



Katso käyttöohje



Vain sisäkäyttöön



Potilaan enimmäispaino



Älä hävitä normaalin kotitalousjätteen mukana.



Hätäpysäytys/
Hätälasku



Huollon merkkivalo



Akun merkkivalo



Kuusiotyökälysymboli, joka viittaa manuaaliseen hätälaskuun



Sertifiointielimen merkintä



Kosteusrajoitus



Ilmanpainerajoitus



Lämpötilarajoitus



Valmistaja



Valmistuspäivä



Luettelonumero



Sarjanumero



Lääkinnällinen laite

Tekniset tiedot

Turvallinen työkuormitus (SWL)

Molift Air 200: SWL = 205 kg (450 lbs)

Valinnainen SWL-alue (asetus) 160 - 205 kg

Molift Air 350: SWL = 350 kg (771 lbs)

Valinnainen SWL-alue (asetus) 160 - 350 kg

Laitteen paino:

Kotelo mukaan lukien akku, ei sisällä liinatankoa:

8,56 kg (18,87 lbs)

4-pisteliinatanko: 2,2 kg / 4,8 lbs

Akku:

Tuoteno: 2920204 25,6 V LiFePO4 2,4 Ah

Tuoteno: 2920007 12 V SLA 2,9 Ah

Akkulaturi:

Käsiohjaimen laturi, Mascot – tyyppi 3743

Tuoteno: 2540100

100–240 V AC, 50–60 Hz maks. 0,5 A

Lähtö 0,9 A

IRC:n virransyöttö, Mascot – tyyppi 3721

Tuoteno: 2610119

Tulo: 100-240 VAC, 50-60 Hz maks. 1,0 A

Lähtö: 24 VDC 1,75 A / 42 W

IRC:n laturi, Mascot – tyyppi 3844

Tuoteno: 2640200

Tulo: 20–30 VDC 1,3 A

Lähtö 0,5 A

Nostonopeus

60 mm/sekunti (2,36 tuumaa/sekunti)

75 kg:n (165,35 lbs) kuormituksella

Käyttömootorin nopeus

0,2 m/sekunti (7,87 tuumaa/sekunti)

Suojausluokka

Käsiohjain IP24

Nostomoottori IP24

Sound pressure

52 dBA

Sound power (L_{WA})

63 dB

Käyttövoimapainike

Käsiohjaimen painikkeet: 3,4 N

Materiaali:

Alumiini, muovi, teräs

Arvioitu käyttöikä:

Nostimen arvioitu käyttöikä on 30 000 käyttökertaa turvallisella työkuormituksella (SWL) tai 10 vuotta.

Mitat:

P x L x K (pituus, leveys, korkeus ilman vaunua)

36 x 19 x 19,5 cm

(14,2 x 7,5 x 7,7 tuumaa)

A Air 200 Nostoalue:

300 cm (118 tuumaa)

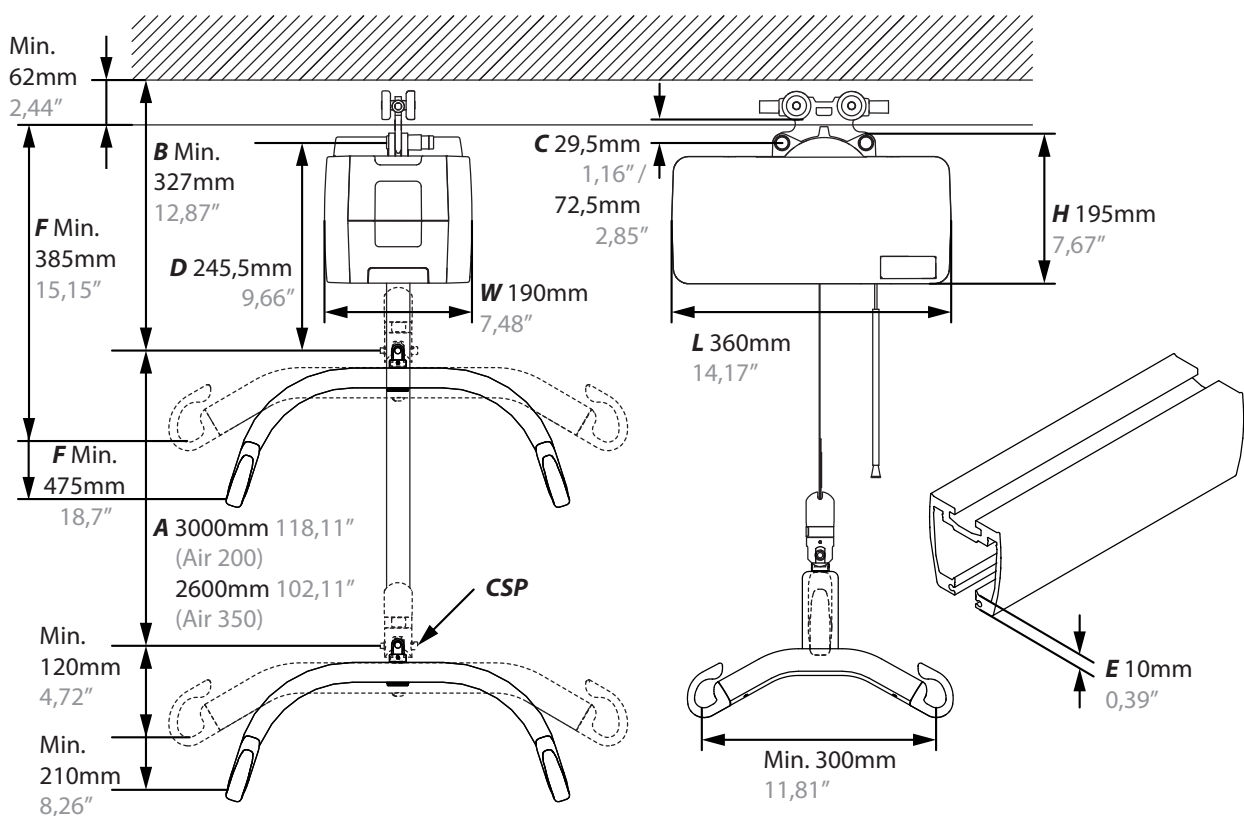
Air 350 Nostoalue:

260 cm (102 tuumaa)

B (Minimietäisyys katosta liinatangon

kiinnityspisteeseen) 32,7 cm (12.7/8 tuumaa)

Lisätietoja teknisistä tiedoista, huollosta ja korjauksista on teknisessä käyttöohjeessa.



Asennus

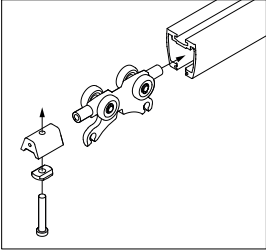
Nostimeen on merkitty turvallinen työkuormitus (SWL), joka ei saa ylittää kiskojärjestelmän suurinta kuormituskapasiteettia.



Kiskojärjestelmä on annettava aina pätevän henkilökunnan asennettavaksi soveltuvien asennusohjeiden mukaisesti.



Älä aloita nostimen käyttöä ennen tarkistuslistan mukaista tarkastusta asennuksen jälkeen.

Vaunun asennus

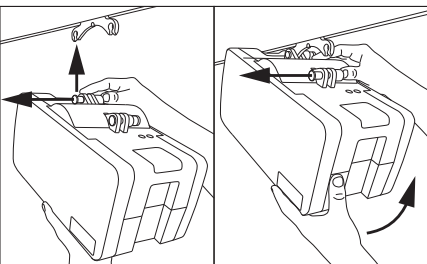
Vaunun asentaminen kiskojärjestelmään. Irrota päätyypäytin ja aseta vaunu kiskoille. Asenna päätyypäytin, ja varmista, että se on kiinnitetty tukevasti. Katso asennustiedot BM3401-mallista. Etac tarjoaa muiden valmistajien vaunuja Molifin hissien asentamiseen kiskojärjestelmiin. Ota yhteyttä paikalliseen Etac-edustajaan saadaksesi lisätietoja muiden valmistajien kiskojärjestelmien kanssa yhteensopivista vaunuista.



Varmista ennen nostimen käyttämistä, että kaikkiin kiskojärjestelmän päihin on asennettu päätyypäytimet!

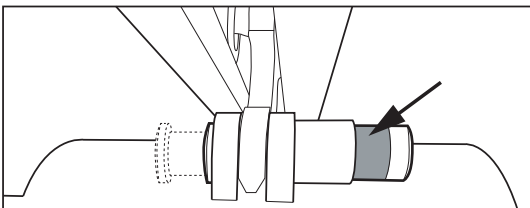
Potilasnosturin asennus

Ole varovainen korkealla tehtävissä työtilanteissa. Suosittelemme, että laitetta on asentamassa vähintään kaksi asentajaa, jotta asennuksen aikana ei menetetä tasapainoa ja loukkaannuta!



Potilasnosturin asentaminen vaunuun. Työkaluja ei tarvita. Potilasnosturissa on kaksi kiinnityspistettä.

Kiinnitä ensin yksi piste. Paina painike pohjaan asti, ja aseta potilasnosturi kiinnityspisteen varassa vaunuun. Vapauta painike ja varmista, että se näyttää selvästi vihreää, ennen kuin kiinnität seuraavan pisteen.



Varmista, että molemmat kiinnityspisteen painikkeet palautuvat kokonaan ja näyttävät selvästi vihreää asennuksen jälkeen. Häätälaskujohdon ja -putken voi säätää sopivan pituiseksi (korkeussuunnassa) leikkaamalla putkea ja johtoa.

Asennus

Varmista tämän tarkistuslistan avulla ennen käyttöä, että nostin on asennettu oikein ja toimii asianmukaisesti ja turvallisesti.

- Kiskon päätyypäytimet asennetaan vaunun kiinnityksen jälkeen kuten kuvattu BM3401:ssä
- Varmista, että nostin on kiinnitetty kiskoon asianmukaisesti eikä nostimessa ole irrallisia osia.
- Tee yksi nosto kuormituksella (60-80 kg).
- Varmista, että akku on ladattu täyteen.

Molift Air -potilasnosturin käyttö**Yleiset turvallisuusvaroitukset**

Käytä ainoastaan sellaisia lisävarusteita ja nostoliinoja, jotka saa säädettyä potilaalle, tämän vamman tyyppille, koolle ja painolle sekä siirtotyyppille sopiviksi. **Taukosuhde/käyttöjakso.**

Molift Air 200 / 350 -potilasnosturia ei saa käyttää jatkuvasti yli kahta minuuttia kauempaa (enimmäiskuormituksella) ja sen on annettava levätä vähintään 18 minuutin ajan. Käyttöjakso 0 % (Vuorottelu standardin ISO-EN 10535 mukaan)



Älä sijoita nosturia siten, että sen verkkovirtakaapelin irtikytkeminen on vaikeaa. Eristä järjestelmä irrottamalla verkkovirtakaapeli sähköpistorasiasta.



Jos nostimen liinatangon ja rungon tukiyksikön maksimikuormitukset (SWL) poikkeavat toisistaan, tulee aina käyttää pienintä maksimikuormitusta.



Molift-nostimia tulee käyttää ainoastaan potilaiden nostamiseen. Älä koskaan käytä nostinta minkäänlaisten esineiden nostamiseen tai siirtämiseen.

Tarkastukset ennen käyttöä / päivittäin

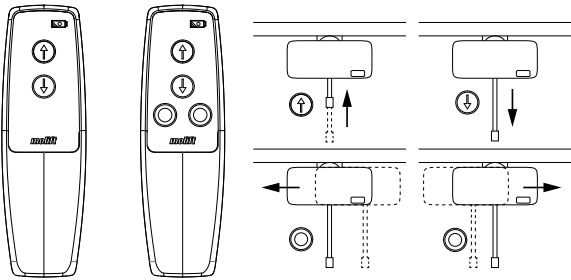
Hoitajan päivittäin tai ennen käyttöä suoritettava tarkastus:

- Tarkista, ettei potilasnosturissa ja kiskojärjestelmässä ole näkyviä vaurioita, vikoja tai vääntymiä.
- Varmista, että liinatangon kiinnitys ja kaikki irrotettavat osat on kiinnitetty ja varmistettu asianmukaisesti.
- Testaa hätäpysäytyspainike ja hätälasku.
- Varmista, ettei akun tai huollon merkkivalo pala.
- Varmista, ettei nostohihnassa ole näkyviä vaurioita tai rispaantumia.
- Koekäytä potilasnosturin käyttötoiminnot ja varmista, ettei siitä kuulu epätavallisia ääniä.

Jos potilasnosturissa on vikoja tai puutteita, se on poistettava käytöstä ja merkittävä "Poistettu käytöstä" -merkinnällä. Mitään Molift Air -potilasnosturin osia ei saa huoltaa tai kunnossapitää silloin, kun nosturi on potilaskäytössä.

Käsiohjain

Käsiohjaimessa on 2 painiketta nostamista ja laskemista varten, tai 4 painiketta, jos nostin on varustettu työntötoiminnolla. Käsiohjaimessa on merkkivalo, joka syttyy, kun akun varaus on vähissä ja potilasnosturi on latauksen tarpeessa.

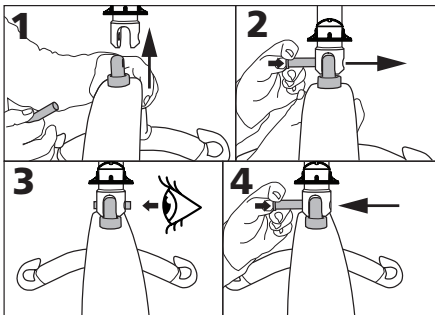


Älä vedä käsiohjaimesta siirtäessäsi nostinta kiskoa pitkin



Nostolaite ei toimi, jos käsiohjain on kytketty laturiin.
Irrota käsiohjain laturista ennen nostolaitteen käyttöä.

Liinatangon asennus

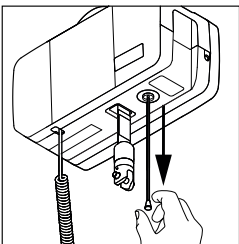


1. Kohdista liinatanko kiinnityspisteeseen.
2. Paina lukkotapin painiketta ja paina se pohjaan asti.
3. Varmista, että lukkotappi on kiinnitetty oikein.
4. Pidä lukkotapin painiketta painettuna ja irrota lukkotappi vetämällä.

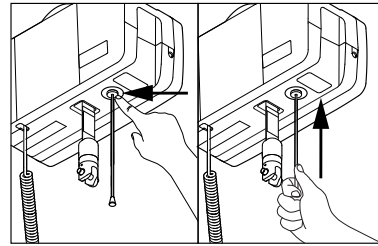
Hätäpysäytys / hätälasku

Hätäpysäytys

Hätäpysäytyksen aktivointi ja nollaus:



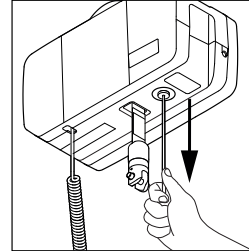
Aktivoi hätäpysäytys vetämällä. Painike tulee esiin, ja nostin pysähtyy.



Paina sormella tai käytä johtoa tai putkea painikkeen painamiseksi jälleen sisään ja hätäpysäytyksen nollaamiseksi.

Sähköinen hätälasku

Aloita lasku vetämällä ja pitämällä paikallaan. Pidä paikallaan, kunnes potilas on laskettu alas ja voidaan irrottaa liinatangosta.



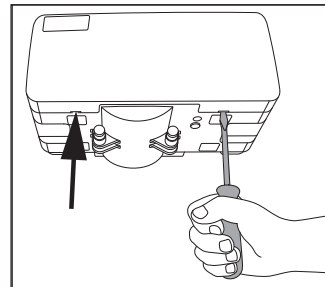
Vain hätäkäyttöön, jos käsiohjain ei toimi!

Manuaalinen hätälasku

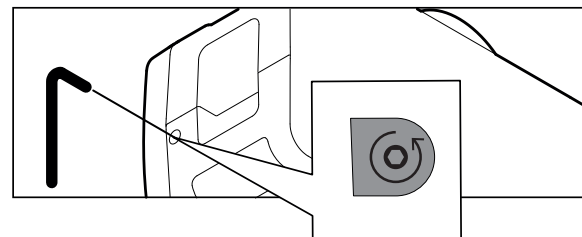


Manuaalisen hätälaskun saa suorittaa vain huoltohenkilöstö!

Potilasnosturin sisällä on kuusiotappiavain tai terä sähköporaan. Poista suojuus niiden paikantamiseksi.



Paina alaspäin ja paina suojusta ulospäin kahteen uraan asetetulla ruuvitaltalla tai kolikolla suojuksen avaamiseksi. Paikanna tarra manuaaliseen hätälaskuun tarkoitetun reiän päällä. Lävistä tai irrota tarra ja vie työkalu reikään. Laske nostohihnaa pyörittämällä vastapäivään. Sähköporan käyttö on suositeltavaa.



Huoltoa EI tarvita, jos:

- 1) Air-nosturin manuaalisen hätälaskun käytön syy on tiedossa ja
- 2) hihna on ehjä ja
- 3) laite toimii normaalisti manuaalisen hätälaskutoimenpiteen jälkeen.

Uusi jarrun ohitus vaikuttaa tähän tekemällä manuaalisesta laskusta hätätilanteessa vähemmän rasittavaa nosturin osille.

Jos laitteessa on ollut tuntemattomasta syystä johtunut toimintahäiriö ja tällöin on käytetty manuaalista hätälaskujärjestelmää, laite on huollettava.

Elektroniikka

Kuljetus ja säilytys

Pitkäaikaista säilytystä varten on suositeltavaa aktivoida (vetää ulos) hätäpysäytyspainike. Potilasnosturia voi säilyttää ja kuljettaa -25...+70 °C:n lämpötiloissa.

Käyttö

Potilasnosturi on suunniteltu käytettäväksi normaalissa huoneenlämmössä (+5...+40 °C).

Ilmanpaine: 70-106 kPa

Suhteellinen kosteus: 15-90 %

Jos laitetta on säilytetty tai kuljetettu ohjeesta poikkeavissa lämpötiloissa, jätä se tilaan, jossa lämpötila on sopiva, kunnes se saavuttaa turvallisen käyttölämpötilan.



Lääketieteelliset sähkölaitteet edellyttävät erityisiä sähkömagneettiseen yhteensopivuuteen (EMC) liittyviä varotoimia. Kannettavat tai siirrettävät radioviestintälaitteet voivat vaikuttaa lääketieteellisiin sähkölaitteisiin, ja niitä tulee pitää vähintään 25 cm:n (10 tuuman) päässä potilasnosturin elektroniikasta.

Akut

Molift Air 200/350 on saatavana 2 x 12 V:n SLA-akulla tai 25,6 V:n LiFePO4-akulla varustettuna.

SLA-akun arvioitu käyttöikä on noin 500 latauskertaa.

LiFePO4-akun arvioitu käyttöikä on noin 2 000 latauskertaa.





Lataa akku sen saapuessa ja sen jälkeen kuuden kuukauden välein akun vaurioitumisen estämiseksi.



Akut on hävitettävä ongelmajätteenä paikallisten sääntöjen ja asetusten mukaisesti. Älä hävitä normaalin kotitalousjätteen mukana. Litiumakkujen tai polttoainekennojen vaihto voi johtaa vaaratilanteeseen, jos henkilöllä ei ole tähän riittävää koulutusta.

Nosturin akun ja huollon merkkivalot







	Avainsymboli / huollon merkkivalo
	Akkusymboli / akun merkkivalo

Sähköjärjestelmässä on virransäästötoiminto, joka kytkee sähköjärjestelmän pois päältä viiden minuutin jälkeen viimeisestä käyttökerrasta. Kaikki merkkivalot sammuvat.

Järjestelmä aktivoituu, kun painetaan jotakin käsiohjaimen käyttöpainikkeista.

Nostimen akun merkkivalo

Kun monitasoinen akun merkkivalo on keltainen, potilasnosturissa on riittävästi virtaa vähintään yhteen kokonaiseen nostojaksoon maksimikuormituksella. Kun akun merkkivalo vilkkuu keltaisena, laitteella voi ainoastaan laskea liinatangon.

Akun merkkivalo		Akun varaus
	Vihreä	80 % tai enemmän
	Vihreä	80-60 %
	Vihreä	60-40 %
	Vihreä	40-20 %
	Keltainen	20-0 %
	Keltainen vilkkuu	0 %

Huollon merkkivalo / Määräaikaistarkastus

Potilasnosturin elektroniikka tallentaa muistiin nostetut painot ja nostokerrat. Tietyn käyttöajan jälkeen annetaan signaali, joka ilmaisee potilasnosturin huoltotarpeen.

Huollon merkkivalo	Tila
Ei valoa	Huoltoa ei tarvita
Keltainen	Tarvitaan määräaikaistarkastus
Vilkkuu vihreänä	Tilaa huolto
Punainen	Suorita huolto

Huollon laajuus

Kun nostin on suorittanut tietyn määrän nostoja, (5 000 nostoa suurimmalla sallitulla painolla (SWL)), huollon merkkivalo palaa punaisena.

Tämän jälkeen valtuutetun henkilöstön on suoritettava huolto, mukaan lukien kuluneiden osien tarkastus ja vaihto.

Ota yhteys Etaciin tai paikalliseen jälleenmyyjään tai käy osoitteessa etac.com hyväksytyin huoltokumppanin löytämiseksi.

Lataus

Molift Air voidaan ladata käsiohjaimen avulla akkulaturilla tai kiskon kautta kiskon sisäisellä latauksella (IRC).

Laturin ja virtalähteen merkkivalo

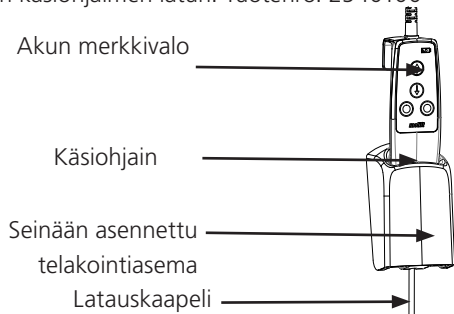
<i>Laturin merkkivalo</i>	<i>Tila</i>
Vilkkuu vihreänä	Ei yhdistetty nostimeen
Keltainen	Lataus
Vilkkuu keltaisena	Lähes latautunut
Vihreä	Kokonaan latautunut

<i>Virtalähteen merkkivalo</i>	<i>Tila</i>
Sininen	Kytetty pistorasiaan

Lataaminen käsiohjaimella

Akkulaturi kytketään pistorasiaan. Käsiohjaimelle on saatavana seinälle asennettava telakointiasema. Varmista, ettet vaurioita kaapelia. Laturi voi olla kytkettynä virtalähteeseen koko ajan. Käytä ainoastaan Molift-latureita. Käsiohjaimessa on merkkivalo, joka syttyy, kun akun varaus on vähissä ja nosturi on latauksen tarpeessa.

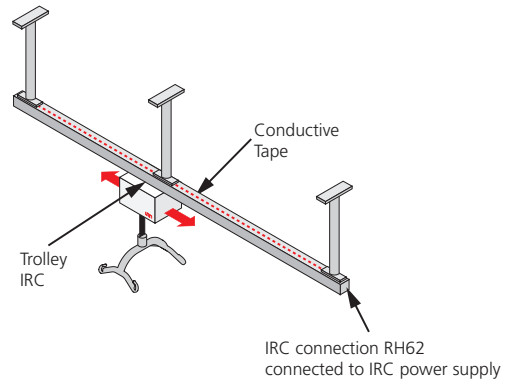
Molift Air -laitteen käsiohjaimen laturi: Tuotenro: 2540100



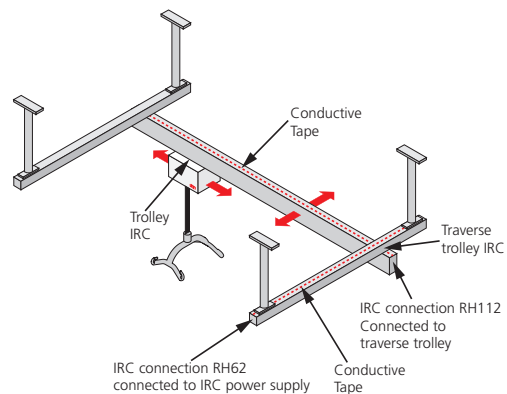
IRC - kiskon sisäinen lataus

Potilasnosturi ladataan nosturin moottorin sisäänrakennetulla laturilla, joka on tarkoitettu jatkuvaan lataamiseen koko kiskojärjestelmän alueella.

Molift Air IRC -mallissa on akkuun kytketty sisäänrakennettu laturi. Se on asennettava IRC-vaunun kanssa kiskojärjestelmään sähköä johtavan nauhan avulla. IRC-vaunu on liitetty Molift Air IRC:n sisäiseen akkulaturiin. IRC-vaunu on jatkuvasti yhteydessä kiskon sisällä kulkevaan johtavaan nauhaan. IRC-virtalähde on kytketty johtavaan nauhaan kiskon päässä olevan IRC-liitännän kautta, ja se syöttää virtaa Molift Air IRC:n sisäiseen akkulaturiin.



IRC sopii sekä yksikiskoisiin että poikittaisjärjestelmiin.



IRC:n virransyöttö

Tuotenro: 2510119

Laturi 3844 DC/DC (osa Molift Air IRC.tä)

Tuotenro: 2640101

Siirtäminen

Suunnittele nostotapahtuma etukäteen, jotta se sujuu mahdollisimman turvallisesti ja tasaisesti. Muista toimia ergonomisesti. Arvioi riskit ja tee muistiinpanoja. Avustaja vastaa käyttäjän turvallisuudesta.

Molift Air -nostinta voi käyttää sekä 2- että 4-pisteliinatangolla erilaisissa siirroissa: istuen, maaten tai kävellen.

Nostoliinon käyttö

Nostoliina on testattava kunkin käyttäjän kanssa ja aiotussa nostotilanteessa.



Lue nostoliinan käyttöohje ennen käyttöä.



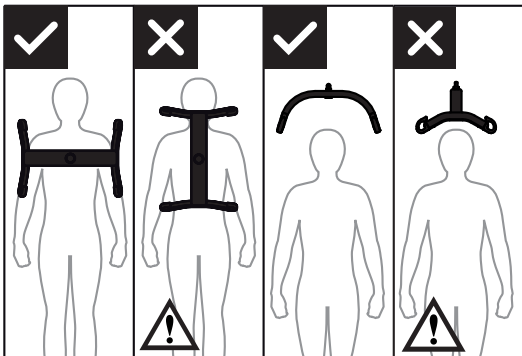
Älä käytä vaurioituneita tai pahasti kuluneita nostoliinoja.

Muiden valmistajien nostoliinat

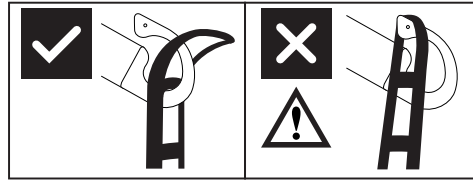
Suosittelomme Etac- tai Molift-silmukoiden käyttöä. Nostin voidaan yhdistää muiden valmistajien nostoliinoin, joissa on samanlaiset ripustuslenkit. Vieraile osoitteessa www.etac.com saadaksesi yhteensopivuuslausunnot muiden valmistajien hissien ja nostojen välillä. Huomioi, että toiminnasta vastaa se luonnollinen henkilö tai oikeushenkilö, joka käyttää eri toimittajien CE-merkittyjä yhteensopivia laitteita. Etac ei siksi ole vastuussa mistään tapahtumista.

Nostaminen ja laskeminen

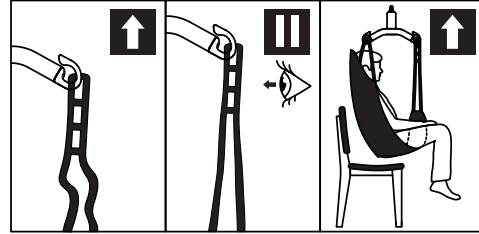
Kun siirrät asiakasta, seiso nostamasi asiakkaan vieressä. Varmista, että kädet ja jalat eivät osu istuimeen, vuoteeseen tai muihin esteisiin. Paranna asiakkaan turvallisuuden tunnetta säilyttämällä katsekontakti.



Nelipisteliinatanko on aina asetettava asiakkaan ylitse, jotta tämä ei liu'u vahingossa pois nostoliinasta.



Liinatankojen koukku estää nostoliinan irtoamisen vahingossa, kun se on oikein asennettu.



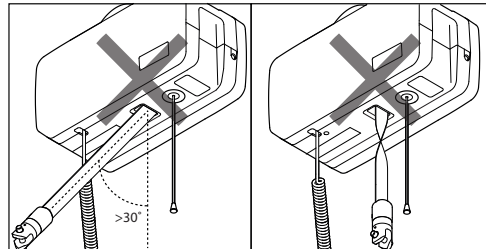
1. Tarkista, että nostoliina on asetettu oikein potilaan ympärille ja että nostoliinan lenkit on kiinnitetty oikein liinatangon koukkuihin.
2. Venytä nostoliinan hihnoja potilasta nostamatta. Varmista, että nostoliinan kaikki neljä silmukkaa on kiinnitetty tukevasti, jotta potilas ei pääse luisumaan tai putoamaan.
3. Nosta potilas ja tee siirto.



Älä käytä hätäpysäytystä nostimen sammuttamiseen muussa kuin hätätapauksessa. Nostin kytkeytyy automaattisesti pois päältä (valmiustilaan), jos sitä ei käytetä 5 minuuttiin.

Kulma-anturi

Nostimessa on suuntaturvallisuustoiminto, joka estää nostamisen, jos nostohihnan kulma on liian jyrkkä.



Jos nostin ei reagoi käsiohjaimen "ylös"-painikkeeseen, se voi johtua siitä, että nostohihnan kulma on liian jyrkkä tai nostohihna kiertynyt ja anturi aktivoitunut.

Lisävarusteet

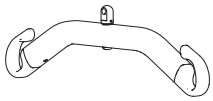
Laturin johdot ja pistokkeet.

Pistokesovitin EU, tuotenro. 2510365
 Pistokesovitin UK, tuotenro. 2510366
 Pistokesovitin US, tuotenro. 2510367
 Pistokesovitin AUS, tuotenro. 2510368
 Johto EU, tuotenro. 1140105
 Johto UK, tuotenro. 1140106
 Johto US, tuotenro. 1140104
 Johto AUS, tuotenro. 1140107
 Laturin seinäkiinnike, tuotenro. 2610123

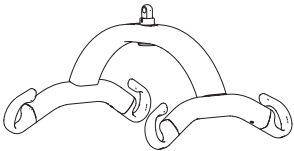
Liinatangot

Molift Air -nostinta voi käyttää 2- tai 4-pisteliinatangolla.

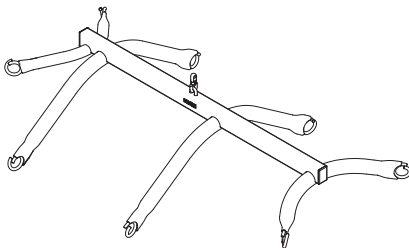
Alumiininen liinatanko



2-piste Small, alumiinia, 350 mm,
 Tuotenro: 2530115
 2-piste Medium, alumiinia, 450 mm,
 Tuotenro: 2530120
 2-piste Large, alumiinia, 550 mm,
 Tuotenro: 2530125



4-piste Small, alumiinia, 350 mm,
 Tuotenro: 2530210
 4-piste Medium, alumiinia, 450 mm,
 Tuotenro: 2530211
 4-piste Large, alumiinia, 550 mm,
 Tuotenro: 2530212
 4-piste X-Large, alumiinia, 650 mm,
 Tuotenro: 2530213



8-pisteliinatanko kangaspaareille, teräs
 Tuotenro: 2140003

Vaaka

Molift-vaakasarja (ilman liinatankoa)

Tuotenro: 1840000

Voidaan yhdistää kaikkiin Molift Air -potilasnosturin kanssa yhteensopiviin liinatankoihin. Vaa'alla on luokan III hyväksyntä. Vaaka voi myös laskea BMI-painoindeksin yhdellä kosketuksella. Lue vaa'an mukana toimitettava käyttöohje ennen vaa'an käyttöä.

Nostoliinat

Etac valikoimaan kuuluu runsaasti erilaisia nostoliinoja erityyppisiä siirtoja varten. Molift RgoSling on kehitetty yhdistettäväksi 4-pisteisen nostotangon kanssa, jossa on silmukkaliitännät. Hihnat toimivat myös 2-pisteisen nostotangon kanssa. Katso oikeat nostoliinojen ja liinatankojen yhdistelmät nostoliinojen käyttöohjeen yhdistelmäluettelosta.

Molift RgoSling -nostoliinasarjasta on saatavana koot XXS–XXL, materiaaleina polyesteri ja polyesteriverkkokangas. Liinojen ja liinatankojen täydellinen luettelo löytyy osoitteesta www.etac.com.

Molift Rgosling Mediumback Padded (XS-XXL)
 Molift Rgosling Highback Padded (XS-XXL)
 Molift Rgosling Mediumback Net (XXS-XXL)
 Molift Rgosling Highback Net (XXS-XXL)
 Molift Rgosling Toilet Lowback (XXS-XXL)
 Molift Rgosling Toilet Highback (XXS-XXL)
 Molift Rgosling Ampu Mediumback (XXS-XXL)
 Molift Rgosling Ampu Highback (XXS-XXL)
 Molift Rgosling Ambulating Vest
 Molift Rgosling Comfort Highback (S-L)
 Molift RgoSling Fabric Stretcher
 Molift RgoSling Repositioning

Tillbehör:

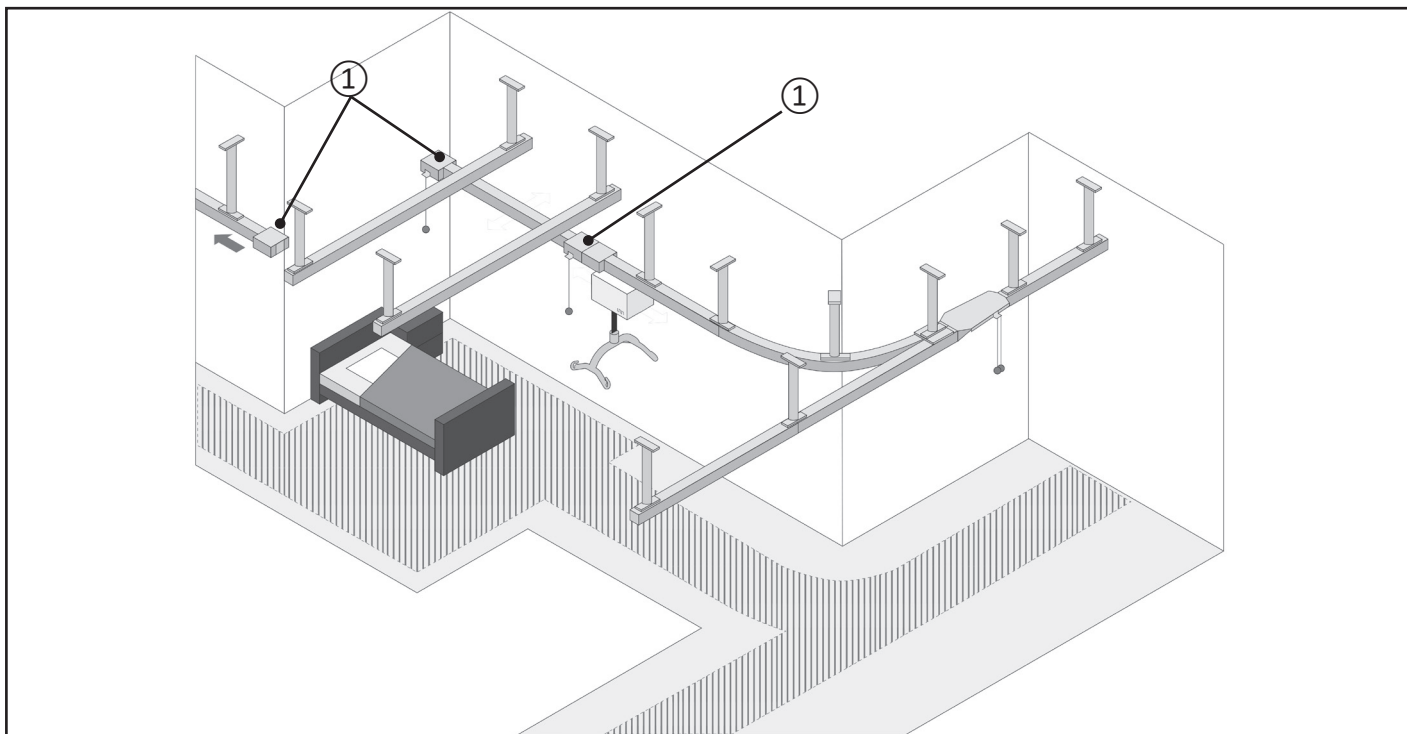
Molift Rgosling Extension Loops

Art.nr.: 1721600

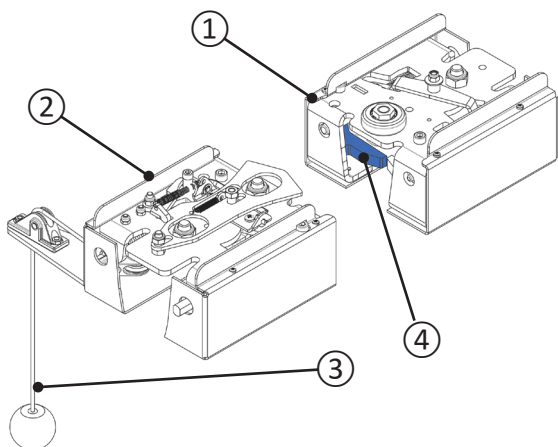
Molift Rgosling Ambulating Vest Groin strap (XXS-XL)

Siirtokytkin

Joissakin kiskojärjestelmissä on siirtokytkimet ① asennettuna. Niitä käytetään käyttäjän siirtämiseen yhdestä kiskojärjestelmästä toiseen, esim. kahden eri huoneen välillä.

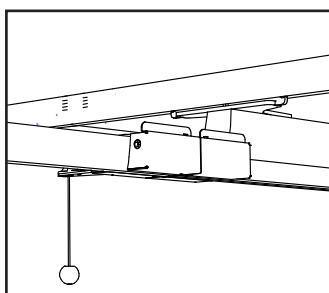


Osat

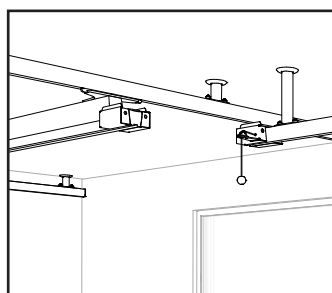


- ① Siirtokytkinyksikkö
- ② Siirtokytkinyksikkö hihnapyörällä
- ③ Hihnapyörä ja nappi
- ④ Portti (kaksi kpl/yksikkö)

Tilat



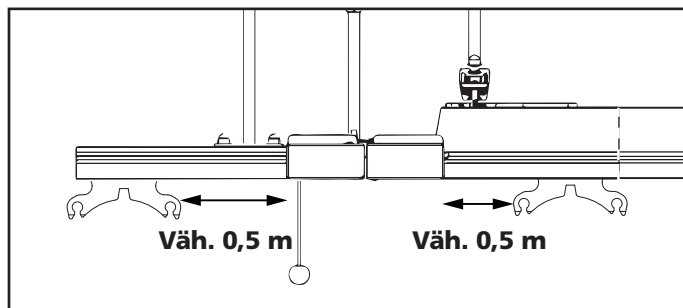
Kytetty



Irotettu

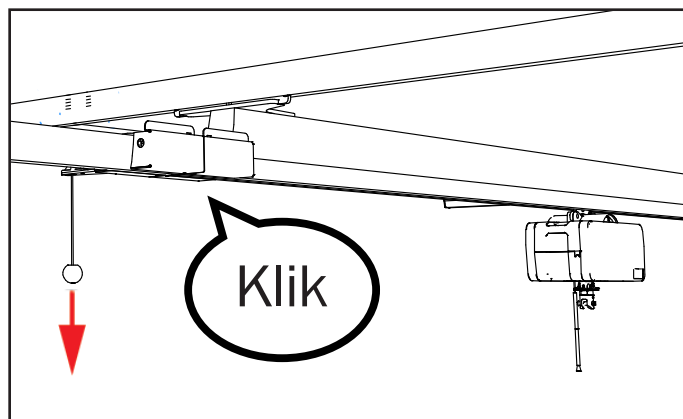
Irottaminen

Varmista ennen siirtokytkimen irrottamista, että vaunu on vähintään 0,5 metrin päässä siirtokytkinyksiköstä.



Vedä hihnapyörää alas vasteeseen asti.

Kuulet äänen, joka vahvistaa irtoamisen.

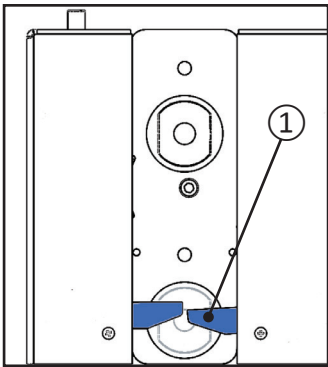


Siirtokytkin on nyt irrotettu.

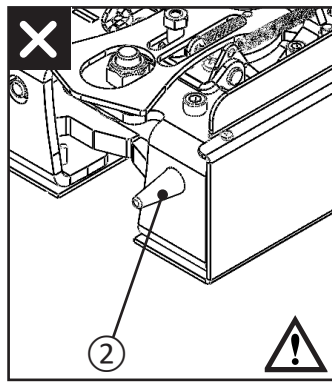
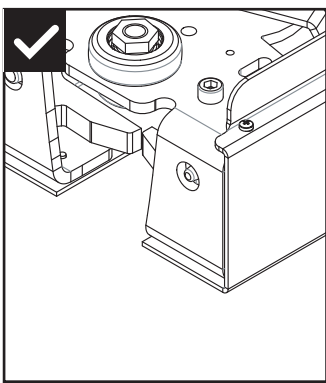
Siirto – irrotettu siirtokytkin

Älä siirrä käyttäjää ennen kuin olet tarkistanut seuraavat asiat:

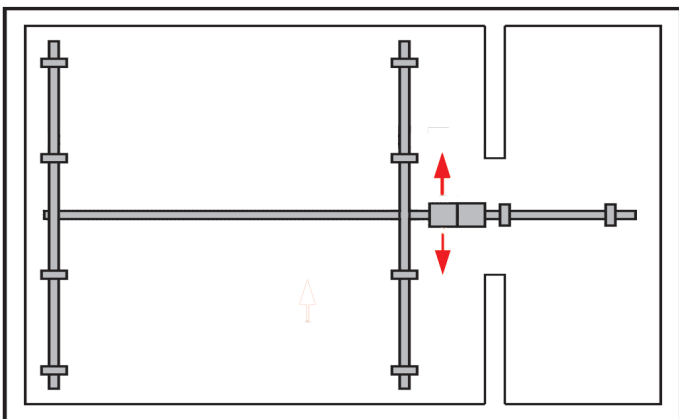
Molemmat portit ① ovat näkyvissä (siirtokytkinyksikkö alhaalta katsottuna).



Lukitusruuvi ② ei saa olla näkyvässä, kun kytkentä irrotetaan.

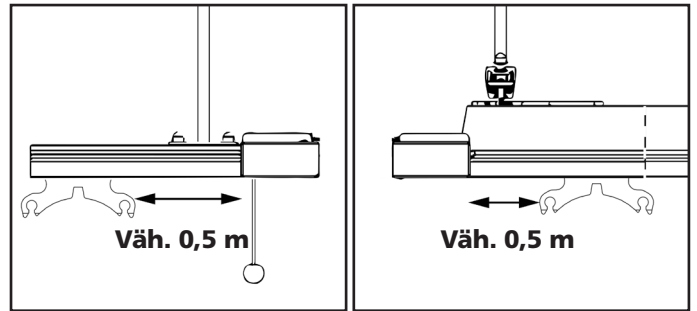


Työnnä poikittaiskiskoa haluttuun suuntaan.

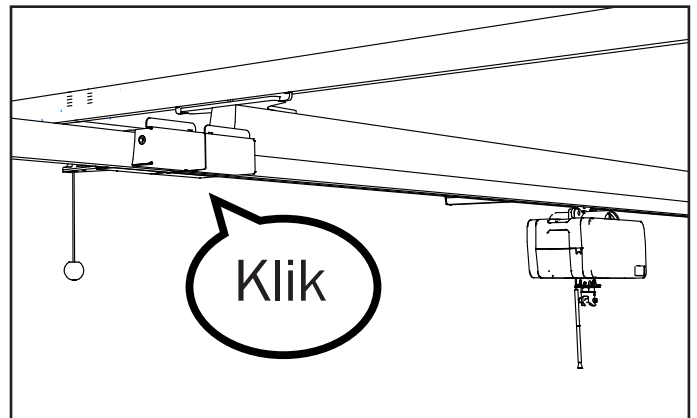


Kytkeminen

Varmista ennen siirtokytkinyksiköiden kytkemistä, että vaunu on vähintään 0,5 metrin päässä siirtokytkinyksiköstä.



Työnnä poikittaiskiskoa kohti kiinteää kiskoa niin, että siirtokytkinyksiköt kytkeytyvät ja kuulet äänen.



Siirto – kytketty siirtokytkin

Älä siirrä käyttäjää ennen kuin olet tarkistanut, että siirtokytkinyksiköt on täysin lukittu yhteen. Kiskojen työntäminen erilleen käsin ei saa olla mahdollista.

Käyttäjä voidaan nyt siirtää kiskolta toiselle.

Puhdistus/desinfiointi

Puhdista säännöllisesti. Puhdista pinnat kostealla liinalla käyttäen asianmukaista, pH-arvoltaan neutraalia puhdistusainetta. Älä käytä liuottimia tai vahvoja nesteitä, sillä tämä voi vahingoittaa potilasnosturin pintoja. Käytä tarvittaessa desinfiointiin isopropyylialkoholia. Vältä hankaavia puhdistustuotteita. Tarkasta hätäpysäytys ja hätälasku puhdistuksen jälkeen. Potilasnosturia ei saa altistaa juoksevalle vedelle. Asennettaessa ympäristöihin, joissa on kosteusriski, on tärkeää, että kiskojärjestelmä ja moottori pestään ja kuivataan säännöllisesti. Täydellinen opas korroosioriskin vähentämiseksi on saatavilla pyynnöstä.



Varmista, ettet vaurioita tai irrota tarroja puhdistuksen yhteydessä.



Nosturin ja käsiohjaimen suojausluokka on IP24, jonka mukaisesti niissä on >12,5 mm:n suojaus vaarallisiin osiin pääsystä vastaan. Lisäksi tämä suojausluokka tarkoittaa, että mistä tahansa kulmasta pystysuunnasta katsottuna aina 60 asteeseen saakka ruiskuava vesi ei aiheuta haitallisia vaikutuksia.



Hoitaja ja potilas altistuvat seuraaville materiaaleille: Polypropyleeni ja polyesteri (nostoliinat*), PC/ABS (käsiohjain ja nosturin suojuus), maalipinnoitettu alumiini, maalipinnoitettu sinkki (nostoliinatangot).
* = Käytettävä osa



Harvinaisissa tapauksissa polypropyleenille ja polyesterille altistunut potilas tai hoitaja voi saada allergisen reaktion, kuten ihoärsytystä, lievää kutinaa tai ihoarkuutta.

Kunnostus

Noudata puhdistus- ja asennusohjeita, tee määräaikaistarkastus ja käytä asennuksen jälkeen sovellettavaa tarkistuslistaa potilasnosturin kunnostukseen.

Kierrätys

Katso ohjeet tuotteen asianmukaiseen hävittämiseen "Kierrätysohjeista". Tiedot löytyvät osoitteesta www.etac.com.

Varaosat

Varaosaluettelo on saatavana pyynnöstä.

Määräaikaistarkastuksen laajuus

Määräaikaistarkastus on Molift Air 200- ja 350-potilasnosturin määräaikaistarkastusraportin mukainen silmämääräinen tarkastus (jossa keskitytään erityisesti potilasnosturin kantavaan rakenteeseen ja nostomekanismiin sekä kiinnikkeisiin, jarruihin, säätimiin, turvalaitteisiin ja henkilökohtaisiin tukivälineisiin). Käy osoitteessa www.etac.com.



Jos potilasnosturissa havaitaan turvallisuuden vaarantavia ongelmia, se tulee poistaa viipymättä käytöstä ja siihen tulee kiinnittää selkeä merkintä "epäkunnossa". Potilasnosturia ei saa käyttää, ennen kuin se on korjattu. Raportoi ongelmista ottamalla yhteyttä paikalliseen Moliftin/Etacin jälleenmyyjään/jakelijaan.

Määräaikaistarkastus tulee suorittaa ainakin kerran vuodessa tai useammin, jos paikalliset vaatimukset sitä edellyttävät. Tarkastus on annettava Etacिन valtuuttaman huoltohenkilöstön tehtäväksi. Ota yhteyttä Etacin osoitteeseen molift@etac.com hyväksytyyn huoltokumppanin koulutusta ja valtuutusta tai suositusta varten.

Määräaikaistarkastusta suorittaessaan tarkastajan tulee täyttää Molift Air -potilasnosturin tarkastusraportti. Raporttien ylläpito tulee antaa nostimen huollosta vastaavien henkilöiden tehtäväksi. Jos tarkastuksessa havaitaan vikoja ja vaurioita, potilasnosturi on poistettava käytöstä ja siihen on kiinnitettävä merkintä "epäkunnossa", kunnes se on korjattu.

Vianetsintä

Oire	Mahdollinen syy/toimenpide
Potilasnosturi ei reagoi käsiohjaimen toimintaan	Hätäpysäytys on aktivoitu. Poista se käytöstä painamalla painike takaisin sisään. Potilasnosturin elektroniikka on ylikuumentunut. Odota, että se jäähtyy.
Potilasnosturi ei reagoi käsiohjaimen ylös-painikkeeseen	Käsiohjainta ei ole kytketty oikein. Käsiohjain tai pistoke tai johto on ehkä rikkoutunut, ja se on vaihdettava.
Kun käytetään sähköistä hätälaskua, nostohihna liikkuu ylöspäin.	Nostohihnan kulma-anturi on aktivoitunut. Säädä nostohihnaa tai siirrä nostinta pienentääksesi nostohihnan kulmaa. Nostohihna on tullut kokonaan ulos ja kelattu takaisin väärin päin. Käytä manuaalista hätälaskua.

Importante

Il presente manuale dell'utente contiene importanti istruzioni e informazioni di sicurezza relative all'utilizzo dell'imbracatura e degli accessori.

Nel presente manuale, il cliente è la persona che viene sollevata. L'operatore è la persona che aziona il sistema di sollevamento.



Questo simbolo indica un'informazione importante relativa alla sicurezza. Seguire attentamente queste istruzioni.

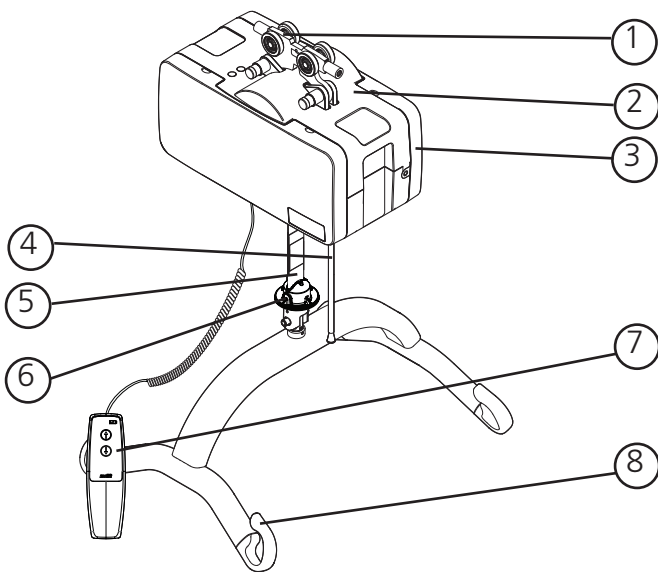


Leggere il manuale dell'utente prima dell'uso.

È importante comprendere pienamente il contenuto del manuale dell'utente prima di utilizzare l'attrezzatura.

Visitare www.etac.com per scaricare la versione più recente della documentazione.

Molift Air 200/350



Componenti del sollevatore:

1. Carrello
2. Sollevatore
3. Coperchi laterali
4. Arresto di emergenza/Discesa di emergenza
5. Cinghia di sollevamento
6. Perno a rilascio rapido
7. Pulsantiera
8. Barra per imbracatura

Informazioni su Molift Air

Molift Air è un sistema di sollevamento a soffitto resistente e stabile che permette a pazienti e degenti di essere trasferiti in modo comodo e sicuro. È ideale per i trasferimenti laterali, per permettere al paziente di sedersi e di alzarsi in piedi nonché per situazioni di allenamento alla mobilità, in combinazione con la gamma completa di accessori Molift.

Molift Air comprende un motore molto leggero che, in combinazione con l'attacco a rilascio rapido, facilita la gestione del sistema di sollevamento durante il montaggio e la manutenzione.

Informazioni generali



Dichiarazione di conformità CE

Il prodotto e i relativi accessori descritti nelle presenti istruzioni per l'uso (IFU) sono conformi al regolamento (UE) 2017/745 del 5 aprile 2017 - come dispositivo medico, classe di rischio I.

Il prodotto è stato testato e approvato da terzi secondo le norme IEC 60601-1, IEC 60601-1-2 e EN/ISO 10535:2021.

Qualsiasi incidente grave che si verifichi in relazione al dispositivo deve essere segnalato al produttore e all'autorità competente dello Stato membro in cui risiede l'utente e/o il paziente.

Condizioni di utilizzo

Il sollevamento e il trasferimento di un cliente presentano sempre determinati rischi, pertanto è consentito utilizzare l'attrezzatura e gli accessori descritti nel presente manuale dell'utente esclusivamente a personale in possesso dell'adeguata formazione. Il sistema a binari deve essere installato da personale certificato in conformità alle relative istruzioni di installazione. Il sistema di sollevamento non è ideato per essere impiegato dal cliente che viene sollevato.

Modifiche e utilizzo di componenti fabbricati da altri produttori.

Si consiglia di utilizzare solamente componenti e pezzi di ricambio Molift. Se vengono apportate modifiche al prodotto, la dichiarazione di conformità e la garanzia Etac perdono di validità. Etac non è responsabile di eventuali danni o incidenti che possano verificarsi quando si utilizzano componenti di altri produttori. L'utilizzo di accessori, componenti rimovibili e materiali non elencati nel presente manuale dell'utente può essere pericoloso.



L'apertura del sollevatore e degli accessori per le operazioni di assistenza e riparazione è consentita esclusivamente a personale certificato. Rischio di lesioni dovute a componenti rotanti e rischio di scosse elettriche.



Garanzia

Garanzia di 2 anni per difetti di fabbricazione e dei materiali dei nostri prodotti.
Garanzia di un anno per le batterie.
Consultare www.etac.com per i termini e le condizioni.

Definizioni

Nelle presenti "Istruzioni per l'uso", il soggetto descritto come "l'utente" è la persona seduta sul prodotto. "L'assistente" è la persona che manovra il prodotto.

Uso previsto

Da utilizzare per il sollevamento e il trasferimento di utenti che necessitano di un supporto per essere sollevati o trasferiti all'interno di un sistema a binario, ad es. da/verso un letto, il pavimento, una sedia a rotelle, una comoda da doccia, una toilette o simili. Anche per l'allenamento alla mobilità in combinazione con Ambulating Vest.

Gruppo di destinatari previsti

Utilizzato per utenti che necessitano di supporto per essere sollevati e trasferiti o durante l'allenamento alla mobilità; ad es. persone con capacità di movimento limitata e che necessitano di supporto per il corpo durante i trasferimenti. Non è un elenco esaustivo.

Ambiente previsto

Per uso interno all'interno di un sistema a binario in terapia intensiva, assistenza a lungo termine, assistenza domiciliare.

Indicazioni

Il dispositivo può essere utilizzato per bambini, adulti e persone anziane che necessitano di un supporto per essere sollevati e trasferiti, o durante l'allenamento alla mobilità, all'interno di un sistema a binario.

Il gruppo di destinatari del dispositivo varia in base alla salute e alla mobilità del singolo paziente e non in base a una condizione di salute specifica o all'età.

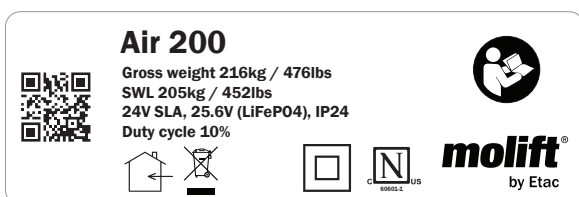
Controindicazioni

Non sono note controindicazioni relative al sollevatore, ma assicurarsi che l'imbracatura sia adatta all'utente.

Identificazione del prodotto

Etichetta del prodotto

L'etichetta del prodotto presenta un codice a barre con codice articolo, numero di serie e data di fabbricazione:



Etichette di avvertenza e simboli

Simboli usati sul prodotto, descritti in maggiore dettaglio:

- Classe II, doppio isolamento
- Marchio CE
- Fare riferimento al manuale dell'utente
- Solo per uso in interni
- ^{max} 255 kg / ^{max} 560 lbs Peso massimo paziente
- Non smaltire nei rifiuti generici
- Arresto di emergenza/
Discesa di emergenza
- Spia di assistenza
- Spia della batteria
- Simbolo dello strumento esagonale per la discesa manuale di emergenza
- Marchio dell'organismo di certificazione
- Limiti di umidità
- Limiti di pressione atmosferica
- Limiti di temperatura
- Produttore
- Data di produzione
YYYY-MM-DD
- Numero di catalogo
- Numero di serie
- Dispositivo medico

Dati tecnici

Carico di lavoro sicuro (SWL)

Molift Air 200: SWL = 205 kg (450 lbs)
 Intervallo SWL opzionale (impostazione) 160-205 kg
 Molift Air 350: SWL = 350 kg (771 lbs)
 Intervallo SWL opzionale (impostazione) 160-350 kg

Peso dell'unità:

Telaio batteria incl., barra per imbracatura escl.:
 8,56 kg (18,87 libbre)
 Barra per imbracatura media a 4 punti: 2,2 kg/4,8 libbre
Batteria:

Codice articolo: 2920204 25,6 V LiFePO4 2,4 Ah

Codice articolo: 2920007 12 V SLA 2,9 Ah

Caricabatterie:

Caricatore per pulsantiera, Mascot - tipo 3743

Codice articolo: 2540100

100-240 V CA, 50-60 Hz max 0,5 A

Uscita 0,9 A

Alimentatore IRC, Mascot - tipo 3721

Codice articolo: 2610119

Ingresso: 100-240 V CA, 50-60 Hz max 1 A

Uscita: 24 V CC 1,75 A/42 W

Caricatore IRC, Mascot - tipo 3844

Codice articolo: 2640200

Ingresso: 20-30 V CC 1,3 A

Uscita: 0,5 A

Velocità di sollevamento

60 mm/s (2,36 pollici/s)
 con un carico di 75 kg (165,35 libbre)

Velocità del motore di propulsione

0,2 m/s (7,87 pollici/s)

Classe di protezione

Pulsantiera IP24

Motore di elevazione IP24

Sound pressure

52 dBA

Sound power (L_{WA})

63 dB

Forza di esercizio dei pulsanti

Pulsanti sul telecomando: 3,4 N

Materiale:

Alluminio, plastica, acciaio

Durata prevista:

Il sollevatore ha una durata prevista di 30.000 cicli con carico di lavoro sicuro o 10 anni.

Dimensioni:

L x P x A (lunghezza, profondità, altezza senza carrello)

36 x 19 x 19,5 cm

(14,2 x 7,5 x 7,7 pollici)

A Ampiezza del sollevamento Air 200:

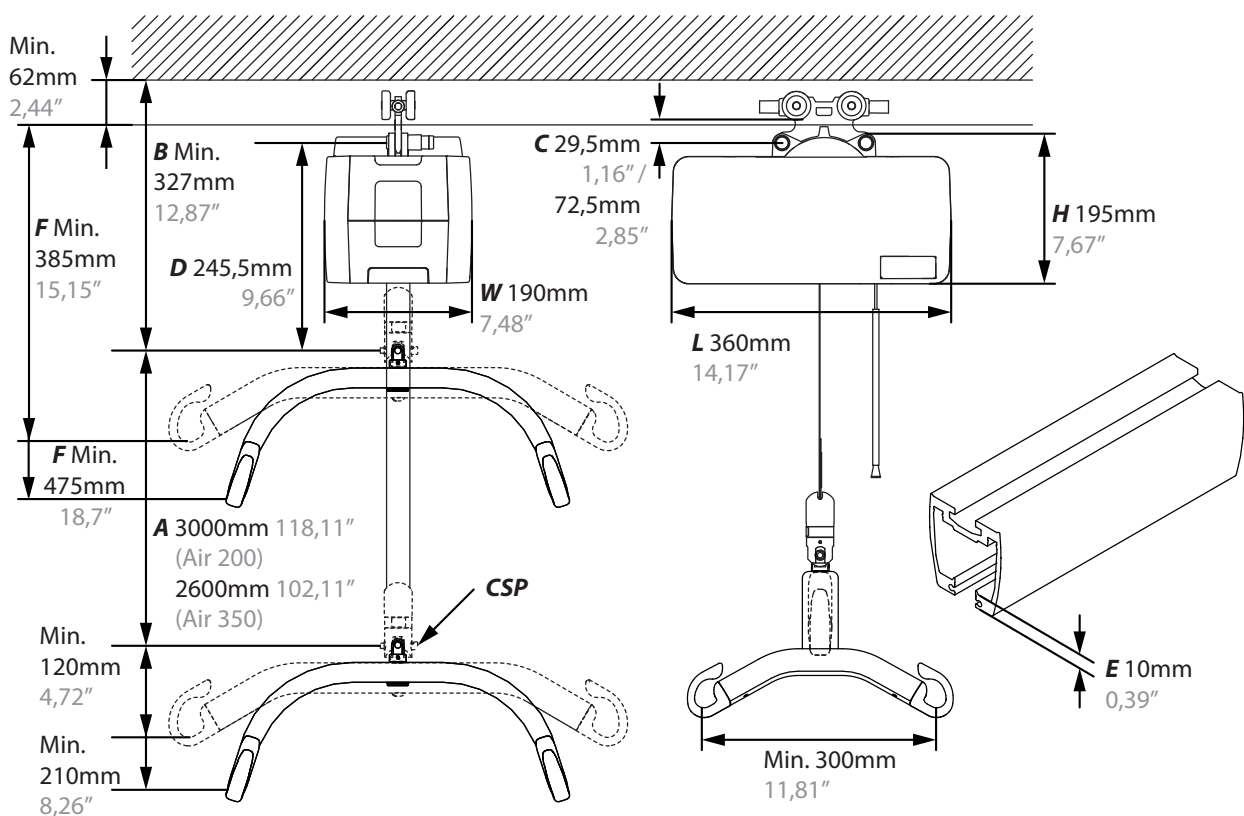
300 cm (118 pollici)

Ampiezza del sollevamento Air 350:

260 cm (102 pollici)

B (Distanza minima dal soffitto al punto di attacco della barra per imbracatura) 32,7 cm (12,7/8 pollici)

Per ulteriori informazioni sui dati tecnici e sulle modalità di assistenza e riparazione, consultare il manuale tecnico.



Installazione

Sul sollevatore è indicato il carico di lavoro sicuro (Safe Working Load - SWL) che non deve superare la capacità massima di carico dei sistemi a binari.

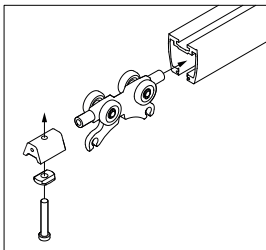


Il sistema a binari può essere installato esclusivamente da personale certificato secondo le relative istruzioni di installazione.



Non iniziare a utilizzare il sollevatore prima di aver completato la verifica secondo la checklist post-installazione.

Installazione del carrello



Montaggio del carrello nel sistema a binari. Rimuovere il finecorsa e inserire il carrello nel binario. Montare il finecorsa e assicurarsi che sia fissato saldamente. Consultare il documento BM3401 per i dettagli dell'installazione. Etac offre carrelli per il montaggio degli ascensori Molift in sistemi a binario di altri produttori. Contatta il tuo rappresentante Etac locale per ulteriori informazioni sui carrelli compatibili con i sistemi ferroviari di altri produttori.

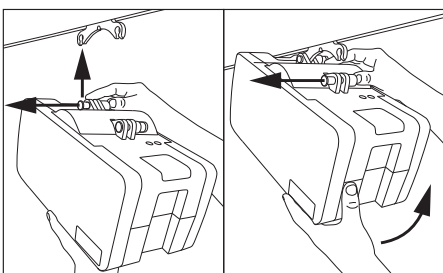


Assicurarsi che i finecorsa siano montati a tutte le estremità del sistema a binari prima di utilizzare il sollevatore!

Installazione del sistema di sollevamento

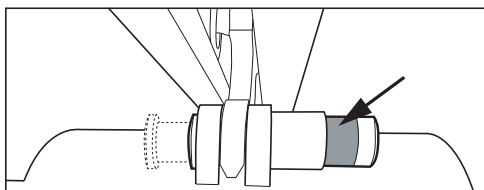


Fare attenzione quando si lavora ad altezze elevate. Si raccomanda la presenza di due o più installatori per evitare perdite di equilibrio e infortuni durante l'installazione!



Montaggio del sistema di sollevamento sul carrello. Non sono necessari attrezzi. Il sistema di sollevamento ha due punti di collegamento.

Collegare innanzitutto il primo punto. Premere il pulsante completamente verso l'interno e posizionare il sistema di sollevamento sul punto di collegamento del carrello. Rilasciare il pulsante e assicurarsi che mostri chiaramente la parte verde prima di collegare il punto successivo.



Assicurarsi che i pulsanti dei due punti di collegamento tornino completamente indietro e mostrino chiaramente la parte verde al termine dell'installazione. Il tubo e il cavo della discesa di emergenza possono essere tagliati per regolarli alla lunghezza (altezza) corretta.

Installazione

Usare la presente checklist per verificare, prima dell'utilizzo, la corretta installazione del sollevatore e il suo corretto e sicuro funzionamento.

- I finecorsa sul binario sono stati installati dopo il montaggio del carrello come descritto nel documento BM3401
- Accertarsi che il sollevatore sia fissato correttamente al binario e che il sistema di sollevamento non presenti componenti allentati.
- Effettuare un sollevamento con carico (60–80 kg).
- Accertarsi che la batteria sia completamente carica.

Utilizzo di Molift Air

Precauzioni generali di sicurezza

Utilizzare esclusivamente accessori e imbracature adattati al cliente, al tipo di disabilità, alla taglia, al peso e al tipo di trasferimento.

Rapporto lavoro pausa /Ciclo di lavoro.

Molift Air 200/350 non deve essere tenuto in funzione per più di due minuti di seguito (al massimo del carico) e deve essere tenuto a riposo per almeno 18 minuti. Ciclo di lavoro 10%. (Intermittenza a norma UNI EN ISO 10535)



Non posizionare il sollevatore in modo da rendere difficile scollegare il cavo di alimentazione di rete. Per isolare il sistema, scollegare il cavo di alimentazione dalla presa elettrica a parete.



Se la barra per imbracatura del sollevatore e l'unità di supporto del corpo hanno un diverso carico di lavoro sicuro (SWL), impiegare il carico massimo più basso tra i due.



I sistemi di sollevamento Molift devono essere utilizzati solamente per il sollevamento di clienti. Non utilizzarli per sollevare o spostare oggetti di qualsiasi tipo.

Prima dell'utilizzo/Verifica quotidiana

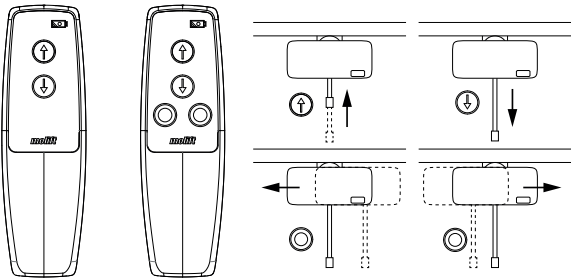
Ispezione da effettuarsi da parte dell'operatore ogni giorno o prima dell'utilizzo:

- Verificare che il sistema di sollevamento e il sistema a binari non presentino danni, difetti o deformazioni visibili
- Accertarsi che tutti i collegamenti della barra per imbracatura e i componenti removibili siano collegati e fissati correttamente
- Verificare il funzionamento del pulsante di arresto di emergenza e della funzione di discesa di emergenza
- Accertarsi che la spia della batteria o di assistenza non sia illuminata
- Accertarsi che la cinghia di sollevamento non presenti danni visibili o sfilacciature
- Effettuare una prova di funzionamento sulle funzioni del sistema di sollevamento e accertarsi che non produca rumori anomali

In caso vengano riscontrati danni o difetti, non utilizzare il sistema di sollevamento e designarlo come "fuori servizio". Nessun componente di Molift Air deve essere sottoposto a manutenzione o riparazione mentre è utilizzato con un paziente.

Pulsantiera

La pulsantiera è dotata di 2 pulsanti per il sollevamento e l'abbassamento o di 4 pulsanti se il sollevatore è dotato di un sistema di propulsione. La pulsantiera è dotata di una spia che si accende quando il livello della batteria è basso e il sistema di sollevamento deve essere ricaricato

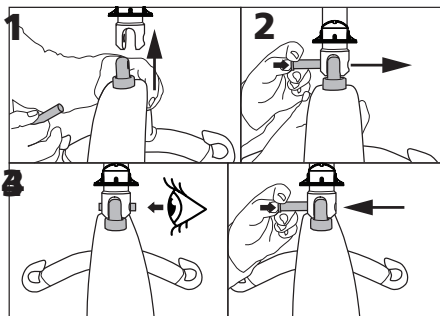


Non tirare la pulsantiera per spostare il sollevatore lungo il binario



Il sollevatore non è operativo se la pulsantiera è collegata a un caricabatteria. Scollegare la pulsantiera dal caricabatteria prima di mettere in funzione il sollevatore.

Montaggio della barra per imbracatura

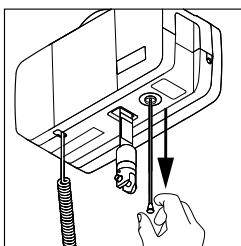


1. Allineare la barra per imbracatura nel punto di collegamento.
2. Spingere il pulsante sul perno di blocco e inserirlo completamente.
3. Accertarsi che il perno di blocco sia ben fissato.
4. Spingere e tenere premuto il pulsante sul perno di blocco, quindi tirare per rimuoverlo.

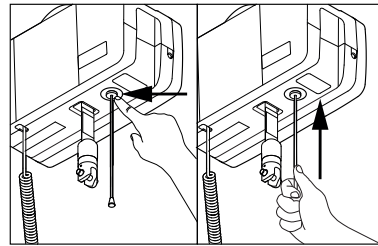
Arresto di emergenza/Discesa di emergenza

Arresto di emergenza

Attivazione e ripristino dell'arresto di emergenza:



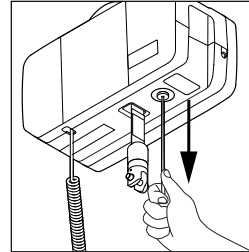
Tirare per attivare l'arresto di emergenza. Il pulsante fuoriesce e il sollevatore si arresta.



Spingere con un dito o utilizzare il tubicino sul cavo per spingere indietro il pulsante e ripristinare l'arresto di emergenza.

Discesa elettrica di emergenza

Tenere tirato per iniziare la discesa. Tenere finché il cliente non è abbassato e può essere sganciato dalla barra per imbracatura.



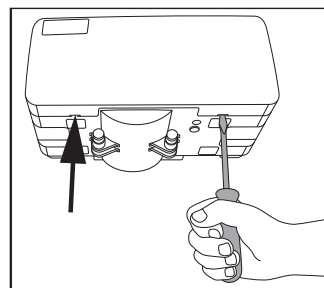
Utilizzare soltanto in caso di emergenza quando la pulsantiera non funziona!

Discesa manuale di emergenza



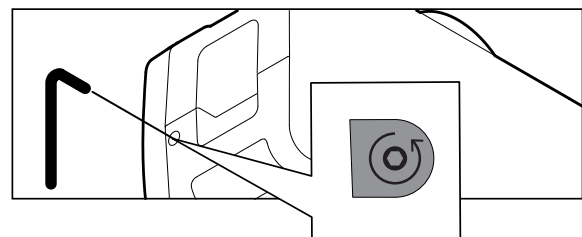
La discesa manuale di emergenza deve essere effettuata esclusivamente dal personale di assistenza!

All'interno del sistema di sollevamento si trova una chiave a brugola o una punta da trapano. Rimuovere la protezione per individuarla.



Premere verso il basso e spingere la protezione verso l'esterno inserendo un cacciavite piatto o una moneta nelle due fessure per aprire la protezione.

Localizzare l'adesivo sul foro per la discesa manuale di emergenza. Praticare il foro o rimuovere l'adesivo e inserire l'attrezzo. Ruotare in senso antiorario per abbassare la cinghia di sollevamento. Si consiglia l'uso di un trapano.



NON è necessario un intervento di assistenza se:

- 1) È noto il motivo per cui è stata usata la discesa manuale di emergenza pneumatica.

- 2) La cinghia non presenta danni.
- 3) In seguito alla procedura di discesa manuale l'unità funziona normalmente.

Il nuovo meccanismo di disinserimento manuale del freno contribuirà a una minor sollecitazione dei componenti di sollevamento durante la discesa manuale di emergenza. Se si è verificato un malfunzionamento dell'unità per motivi non noti, ed è stato usato il sistema di discesa manuale di emergenza, contattare l'assistenza.


Elettronica

Trasporto e conservazione

In caso di conservazione prolungata, si consiglia di attivare (estrarre) il pulsante di arresto di emergenza. Il sistema di sollevamento può essere conservato e trasportato a temperature comprese tra -25 e 70 °C.

Esercizio


Il sistema di sollevamento è ideato per essere impiegato a normali temperature ambiente (comprese tra +5 e +40 °C).
 Pressione aria: 70–106 kPa
 Umidità relativa: 15–90%
 A seguito di trasporto o conservazione a temperature diverse da quelle indicate, lasciare il sistema di sollevamento in un ambiente con una temperatura adatta fino a raggiungere una temperatura idonea per il funzionamento.




Le apparecchiature elettromedicali richiedono speciali precauzioni in relazione alla compatibilità elettromagnetica (EMC). Le attrezzature di comunicazione radio portatili o mobili possono interferire con le apparecchiature elettromedicali e devono essere tenute a una distanza minima di 25 cm (10 pollici) dall'apparato elettronico del sistema di sollevamento.

Batterie

Molift Air 200/350 è disponibile con 2 batterie SLA da 12 V o una batteria LiFePO4 da 25,6 V.
 La batteria SLA ha una durata utile prevista di circa 500 cicli di carica.
 La batteria LiFePO4 ha una durata utile prevista di circa 2.000 cicli di carica.



Ricaricare la batteria al ricevimento e successivamente ogni sei mesi per evitare guasti alla batteria.



Smaltire le batterie come rifiuti speciali secondo i regolamenti e le disposizioni locali. Non smaltire nei rifiuti generici. La sostituzione delle batterie al litio o delle pile a combustibile effettuata da personale non qualificato può essere pericolosa







	Simbolo della chiave/ Spia di assistenza
	Simbolo della batteria/ Spia della batteria

Il sistema elettrico dispone di una funzione di risparmio energetico che disattiva il sistema elettrico cinque minuti dopo l'ultimo utilizzo. Tutte le spie vengono spente.

Il sistema viene attivato premendo uno dei pulsanti di funzionamento presenti sulla pulsantiera.

Spia della batteria sul sollevatore

Quando la spia della batteria multilivello è a luce gialla fissa, il sistema di sollevamento ha carica sufficiente per almeno un ciclo di sollevamento completo a pieno carico. Quando la spia della batteria è a luce gialla lampeggiante, è solamente possibile abbassare la barra per imbracatura.

<i>Spia della batteria</i>	<i>Livello della batteria</i>	
	Verde	80% o superiore
	Verde	80–60%
	Verde	60–40%
	Verde	40–20%
	Gialla	20–0%
	Gialla lampeggiante	0%

Spia di assistenza/Ispezione periodica

L'apparato elettronico del sistema di sollevamento registra il peso sollevato e il numero di sollevamenti. Dopo un determinato periodo di esercizio, viene emesso un segnale per indicare che è necessario un intervento di assistenza.

<i>Spia di assistenza</i>	<i>Modalità</i>
Nessuna luce	Non occorre assistenza
Gialla	Occorre l'ispezione periodica
Verde lampeggiante	Richiedere assistenza
Rossa	Eseguire intervento di assistenza

EN
DE
NO
SV
FI
IT
FR
ES
NL
DA
CZ

Ambito dell'intervento di assistenza

Quando il sollevatore ha eseguito un certo numero di sollevamenti (5.000 sollevamenti con il peso massimo consentito (SWL)), la spia di assistenza si accende in rosso.

La manutenzione deve essere eseguita da personale autorizzato, compresa l'ispezione e la sostituzione delle parti usurate. Contattare Etac o il proprio rivenditore locale o visitare etac.com per trovare un partner di assistenza approvato.

Ricarica

Molift Air può essere ricaricato mediante pulsantiera con un caricabatterie o tramite il binario con caricatore integrato.

Spia di carica e spia di alimentazione

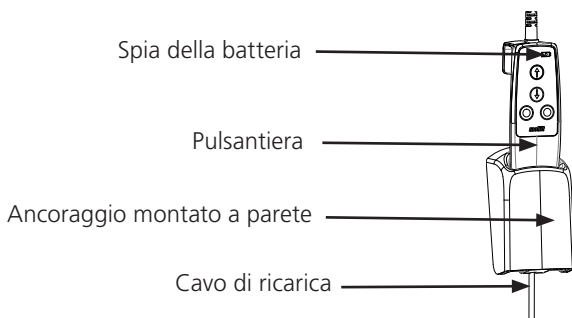
<i>Spia di carica</i>	<i>Modalità</i>
Verde lampeggiante	Nessun collegamento al sollevatore
Gialla	Ricarica
Gialla lampeggiante	Sovraccarica
Verde	Carica completa

<i>Spia di alimentazione</i>	<i>Modalità</i>
Blu	Collegato alla presa elettrica

Ricarica tramite pulsantiera

Il caricabatterie è collegato a una presa di corrente. Per la pulsantiera è disponibile un ancoraggio montato a parete. Fare attenzione a non danneggiare il cavo. Il caricatore può essere collegato alla presa in qualsiasi momento. Utilizzare solo caricatori Molift. La pulsantiera è dotata di una spia che si accende quando il livello della batteria è basso e il sistema di sollevamento deve essere ricaricato.

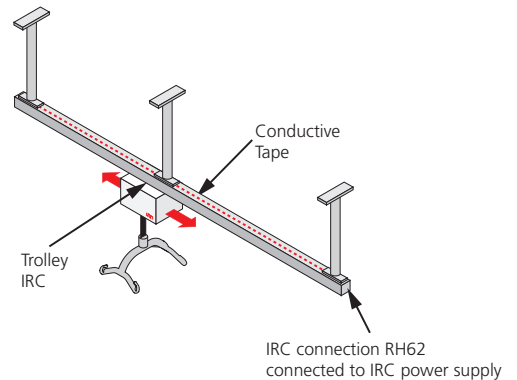
Caricatore per pulsantiera Molift Air: Codice articolo: 2540100



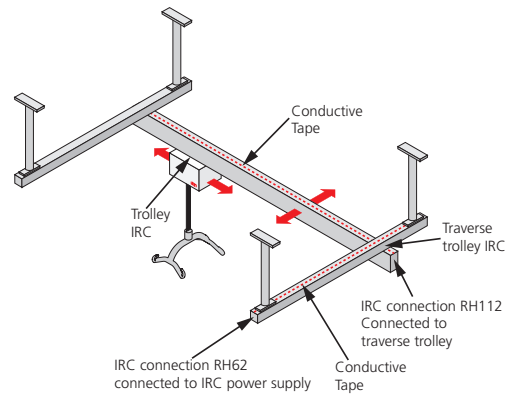
IRC (In Rail Charging)

Il sistema di sollevamento si ricarica tramite un caricatore integrato nel motore di elevazione per garantire una ricarica continua sull'intera lunghezza del sistema a binari.

Il sistema IRC di Molift Air dispone di un caricatore integrato collegato alla batteria, che deve essere installato assieme al carrello IRC in un sistema a binari con nastro conduttivo. Il carrello IRC è collegato al caricatore incluso nel sistema IRC di Molift Air ed è sempre in contatto con il nastro conduttivo che si trova all'interno del binario. L'alimentatore IRC è connesso al nastro conduttivo tramite il collegamento IRC alla fine del binario e fornisce energia al caricatore del sistema IRC di Molift Air.



Il sistema IRC è adatto sia per sistemi a binari sia per sistemi a montante traverso.



Alimentatore IRC

Codice articolo: 2510119

Caricatore 3844 CC/CC (parte del sistema IRC di Molift Air)

Codice articolo: 2640101

Trasferimento

Programmare con anticipo l'operazione di sollevamento per garantire che sia quanto più sicura e fluida possibile. Operare secondo principi di ergonomia. Valutare i rischi e prendere appunti. L'assistente è responsabile della sicurezza dell'utente.

Molift Air può essere usato con barre per imbracatura a 2 o 4 punti di fissaggio per diversi tipi di trasferimenti: in posizione seduta, sdraiata o in deambulazione.

Utilizzo delle imbracature

È importante che l'imbracatura sia stata testata con lo specifico utente e per la situazione di sollevamento prevista.



Leggere il manuale dell'utente relativo all'imbracatura prima dell'uso.



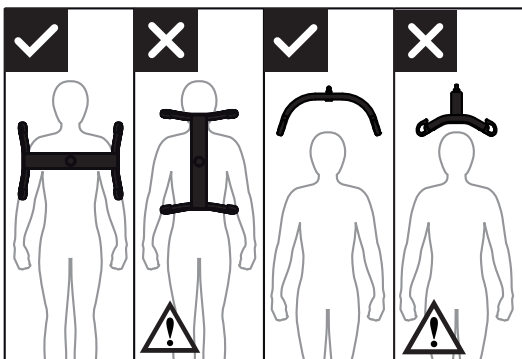
Non utilizzare imbracature danneggiate o usurate.

Imbracature di altri produttori

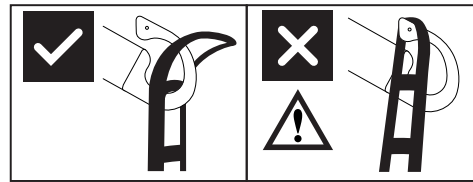
Si consiglia di utilizzare imbracature Etac o Molift. Il paranco può essere combinato con imbracature di altri produttori con anelli di sospensione simili. Visitare www.etac.com per le dichiarazioni di compatibilità tra sollevatori e imbracature di altri produttori. Si prega di notare che la responsabilità dell'attività è la persona fisica o giuridica che utilizza dispositivi compatibili con marcatura CE di diversi fornitori. Etac non potrà pertanto essere ritenuta responsabile per qualsiasi incidente.

Operazioni di sollevamento e abbassamento

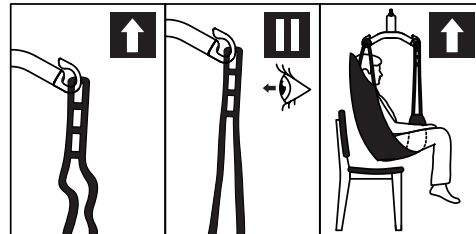
Durante lo spostamento, rimanere a lato del cliente che si sta sollevando. Accertarsi che braccia e gambe non ostacolino la sedia, il letto, ecc. Mantenere il contatto visivo con il cliente per trasmettere sicurezza.



La barra per imbracatura a 4 punti deve essere sempre posizionata in modo da coprire tutto il cliente, per evitare che questi scivoli inavvertitamente fuori dall'imbracatura.



Il design del gancio della barra per imbracatura impedisce il distacco accidentale dell'imbracatura, se montato correttamente.



1. Verificare che l'imbracatura sia posizionata correttamente intorno al cliente e che i passanti siano montati correttamente nei ganci della barra per imbracatura.
2. Tendere le cinghie dell'imbracatura senza sollevare il cliente. Assicurarsi che i quattro passanti dell'imbracatura siano correttamente fissati per evitare che il cliente possa scivolare o cadere.
3. Sollevare il cliente ed eseguire il trasferimento.

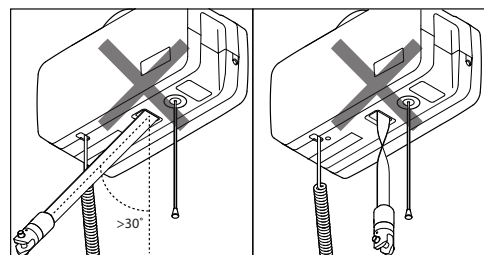


Non utilizzare l'arresto di emergenza per spegnere il sollevatore, eccetto in caso di emergenza.

Il sollevatore si spegnerà (standby) automaticamente dopo 5 minuti di inattività.

Sensore di angolazione

Il sollevatore è dotato di una funzione di sicurezza della direzione che impedisce il sollevamento se l'angolazione della cinghia di sollevamento è eccessiva.



Se il sollevatore non risponde al pulsante "su" della pulsantiera, ciò potrebbe essere dovuto a un'angolazione eccessiva della cinghia di sollevamento oppure la cinghia potrebbe essere attorcigliata e il sensore attivo.

Accessori

Cavi e spine del caricabatterie.

Adattatore UE, codice articolo 2510365

Adattatore UK, codice articolo 2510366

Adattatore USA, codice articolo 2510367

Adattatore USA, codice articolo 2510368

Cavo UE, codice articolo 1140105

Cavo UK, codice articolo 1140106

Cavo USA, codice articolo 1140104

Cavo AUS, codice articolo 1140107

Supporto da parete per il caricabatteria, codice articolo 2610123

Barre per imbracatura

Molift Air può essere utilizzato con una barra per imbracatura a 2 o 4 punti di fissaggio.

Barra per imbracatura in alluminio



Piccola, 2 punti di fissaggio, alluminio, 350 mm,

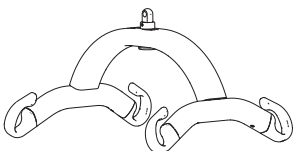
Codice articolo: 2530115

Media, 2 punti di fissaggio, alluminio, 450 mm,

Codice articolo: 2530120

Grande, 2 punti di fissaggio, alluminio, 550 mm,

Codice articolo: 2530125



Piccola, 4 punti di fissaggio, alluminio, 350 mm,

Codice articolo: 2530210

Media, 4 punti di fissaggio, alluminio, 450 mm,

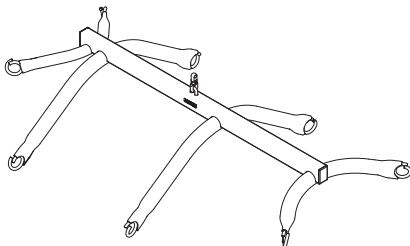
Codice articolo: 2530211

Grande, 4 punti di fissaggio, alluminio, 550 mm,

Codice articolo: 2530212

XL, 4 punti di fissaggio, alluminio, 650 mm,

Codice articolo: 2530213



Barra per imbracatura a 8 punti per barella in tessuto, acciaio

Codice articolo: 2140003

Bilancia

Set bilancia Molift (senza barra per imbracatura)

Codice articolo: 1840000

Può essere combinata con tutte le barre per imbracatura compatibili Molift Air. La bilancia è approvata come dispositivo di Classe III. La bilancia è anche in grado di calcolare l'IMC (indice di massa corporea) con un semplice tocco. Leggere il manuale a corredo della bilancia prima dell'uso.

Imbracature

Etac offre un'ampia gamma di imbracature per diversi tipi di trasferimenti. La serie di imbracature RgoSling di Molift è progettata per essere utilizzata in combinazione con una barra per imbracatura a 4 punti con collegamenti ad anello. Le imbracature funzionano anche con un bilancino a 2 punti. Consultare l'elenco delle combinazioni nel manuale dell'utente dell'imbracatura per la corretta combinazione di imbracatura e barra per imbracatura. La serie di imbracature RgoSling di Molift è disponibile nelle misure da XXS a XXL, sia nella versione in poliestere che nella versione in rete di poliestere. L'elenco completo delle imbracature e delle barre per imbracatura è disponibile su www.etac.com.

Molift Rgosling Mediumback Padded (XS-XXL)

Molift Rgosling Highback Padded (XS-XXL)

Molift Rgosling Mediumback Net (XXS-XXL)

Molift Rgosling Highback Net (XXS-XXL)

Molift Rgosling Toilet Lowback (XXS-XXL)

Molift Rgosling Toilet Highback (XXS-XXL)

Molift Rgosling Ampu Mediumback (XXS-XXL)

Molift Rgosling Ampu Highback (XXS-XXL)

Molift Rgosling Ambulating Vest

Molift Rgosling Comfort Highback (S-L)

Molift RgoSling Fabric Stretcher

Molift RgoSling Repositioning

Tillbehör:

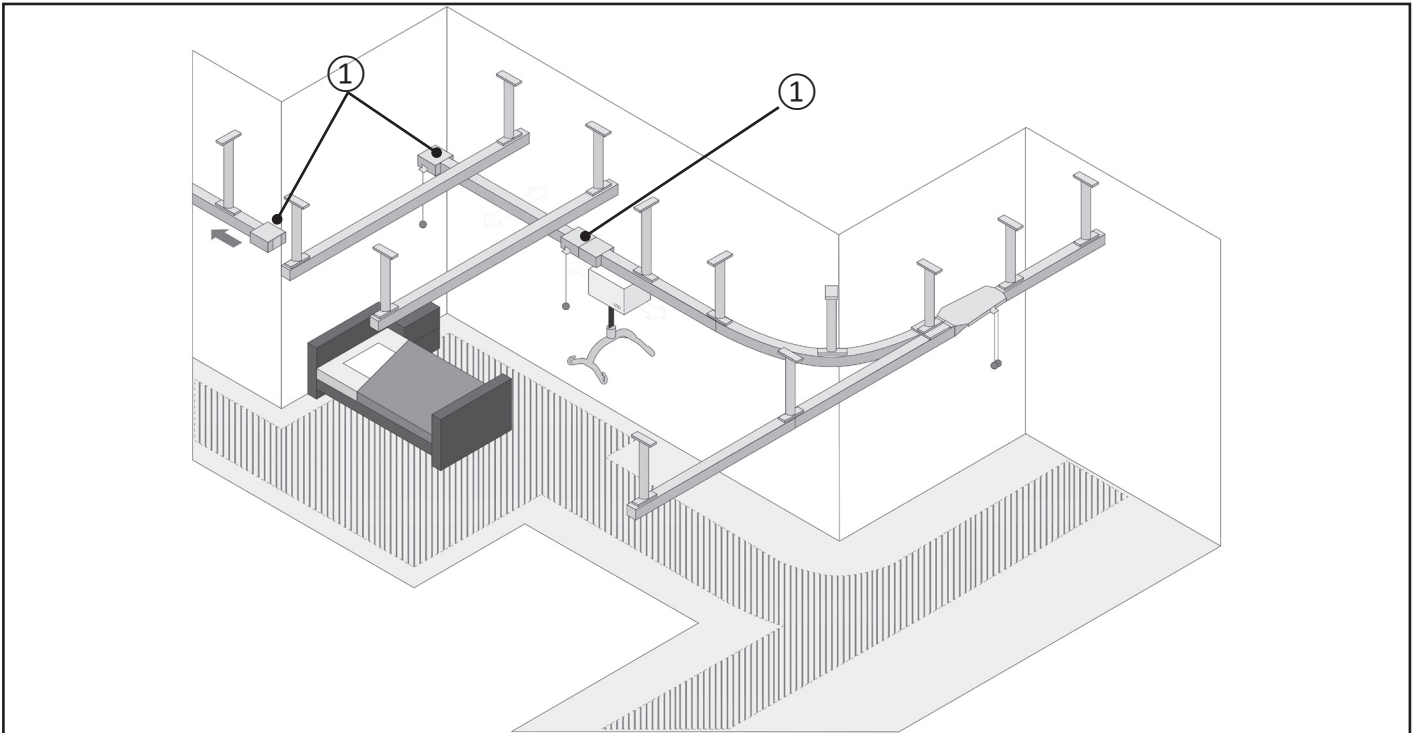
Molift Rgosling Extension Loops

Art.nr.: 1721600

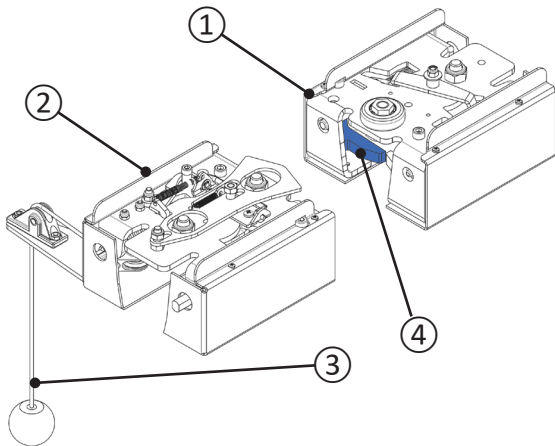
Molift Rgosling Ambulating Vest Groin strap (XXS-XL)

Raccordo di transizione

Alcuni sistemi a binario sono già dotati dei raccordi di transizione ①. Questi vengono utilizzati per trasferire l'utente da un sistema a binario all'altro, ad esempio tra due stanze diverse.

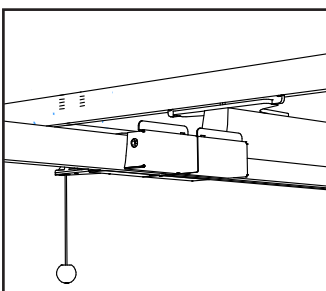


Componenti

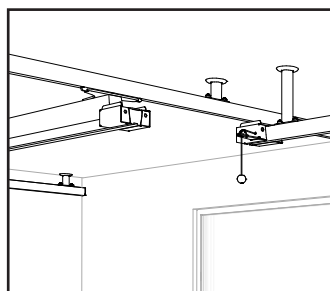


- ① Unità raccordo di transizione
- ② Unità raccordo di transizione con puleggia
- ③ Puleggia con manopola
- ④ Cancelletto (due componenti per unità)

Stati



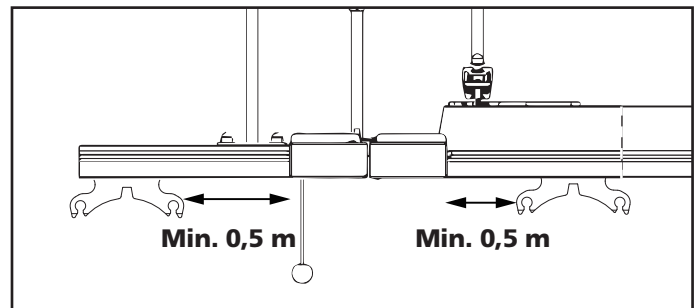
Collegato



Scollegato

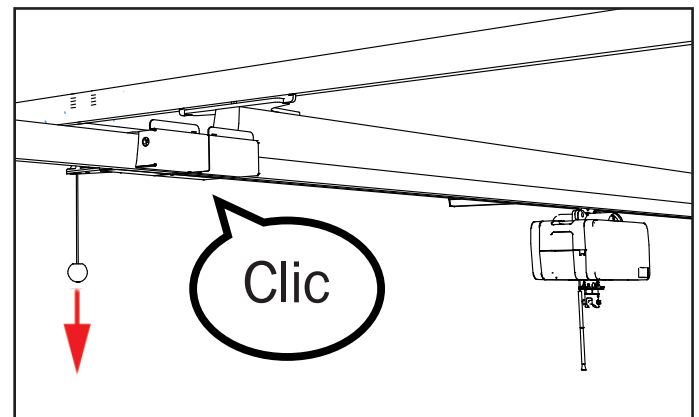
Scollegamento

Prima di scollegare il raccordo di transizione, assicurarsi che il carrello sia ad almeno 0,5 m dall'unità raccordo di transizione.



Tirare la puleggia verso il basso fino all'arresto.

Si sentirà un suono che conferma lo scollegamento.

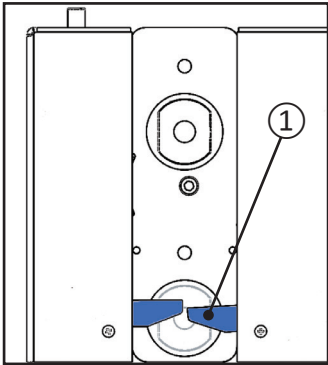


Il raccordo di transizione ora è scollegato.

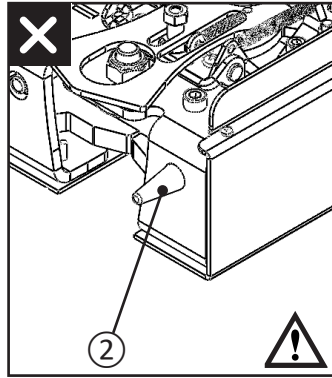
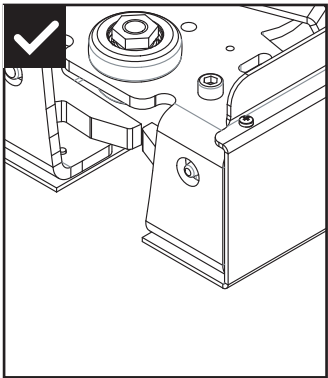
Trasferimento: raccordo di transizione scollegato

Effettuare i trasferimenti dell'utente solamente dopo aver verificato quanto segue:

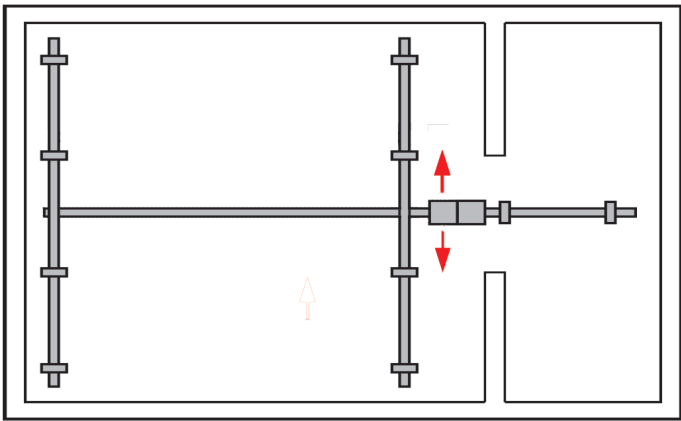
Entrambi i cancelletti ① devono essere visibili (unità raccordo di transizione vista dal basso).



Il bullone di bloccaggio ② **non** deve essere visibile quando il raccordo è scollegato.

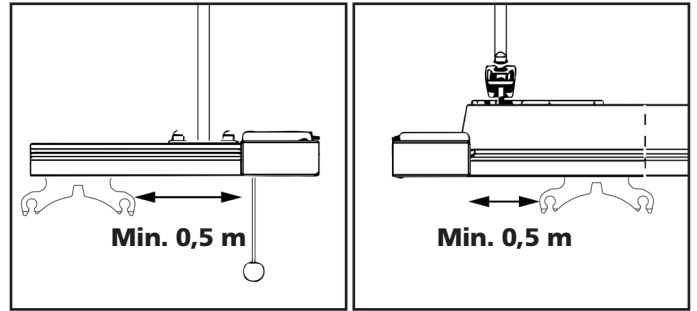


Spingere il binario trasversale nella direzione desiderata.

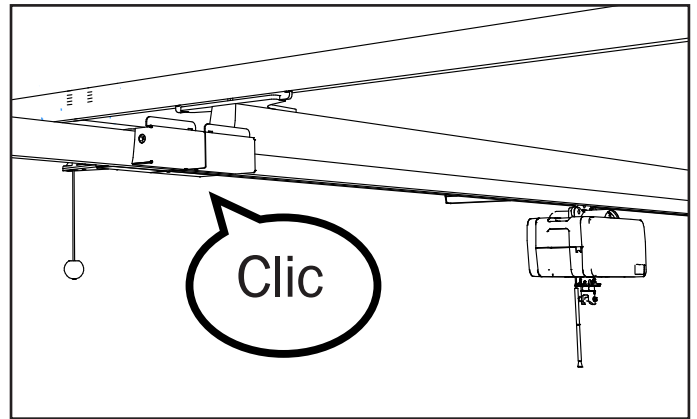


Collegamento

Prima di collegare le unità raccordo di transizione, assicurarsi che il carrello sia ad almeno 0,5 m dall'unità raccordo di transizione.



Spingere il binario trasversale verso il binario fisso, in modo che le unità raccordo di transizione si colleghino e si senta un suono.



Trasferimento: raccordo di transizione collegato

Effettuare i trasferimenti dell'utente solamente dopo aver verificato che le unità raccordo di transizione sono completamente bloccate insieme. Non è possibile separare i binari manualmente. Ora l'utente può essere trasferito da un binario all'altro.

Pulizia/Disinfezione

Effettuare regolarmente la pulizia. Pulire le superfici con un panno umido utilizzando un apposito detergente con pH neutro. Non utilizzare solventi o detersivi aggressivi, che potrebbero danneggiare le superfici del sistema di sollevamento. Per la disinfezione, quando necessario, utilizzando alcool isopropilico. Evitare l'impiego di prodotti di pulizia abrasivi. Verificare il funzionamento dell'arresto di emergenza e della funzione di discesa di emergenza dopo la pulizia. Non esporre il sistema di sollevamento ad acqua corrente. In caso di installazione in ambienti con rischio di umidità, è importante che il sistema di binari e il motore vengano lavati e asciugati regolarmente. Su richiesta è disponibile una guida completa per ridurre il rischio di corrosione.



Accertarsi di non danneggiare o rimuovere le etichette durante la pulizia.



Il sollevatore e la pulsantiera rientrano nella classe di protezione IP24, la quale indica una protezione contro l'accesso a componenti pericolosi da parte di corpi solidi di diametro superiore a 12,5 mm e una protezione contro le cadute di gocce d'acqua o pioggia fino a 60° dalla verticale.



L'assistente e il cliente sono esposti ai seguenti materiali: Polipropilene e poliestere (imbracature*), PC/ABS (pulsantiera e copertura del sollevatore), alluminio verniciato a polvere, zinco verniciato a polvere (barre per imbracatura).

* = parte applicata



I clienti o gli assistenti esposti a polipropilene e poliestere possono in rari casi soffrire di reazioni allergiche quali irritazioni cutanee, leggero prurito e fragilità cutanea.

Ricondizionamento

Seguire la procedura di pulizia e installazione, completare l'ispezione periodica e usare la checklist post-installazione per rimettere in servizio il sistema di sollevamento.

Riciclaggio

Fare riferimento alle "Istruzioni sul riciclaggio" per un corretto smaltimento del prodotto. Questo documento è disponibile su www.etac.com.

Ricambi

Un elenco dei ricambi è disponibile su richiesta.

Ambito dell'ispezione periodica

L'ispezione periodica è un esame visivo (in particolare della struttura di sostegno del carico del sistema di sollevamento e del meccanismo di sollevamento, compresi attacchi, freni, comandi, dispositivi di sicurezza e dispositivi di sostegno delle persone) in base al Rapporto di ispezione periodica di Molift Air 200 e 350. Consultare il sito www.etac.com.



In caso di problemi che potrebbero mettere a rischio la sicurezza delle persone, il sistema di sollevamento deve essere messo immediatamente fuori servizio e contrassegnato come "guasto". Non utilizzare il sistema di sollevamento finché non è stato riparato. Comunicare gli eventuali problemi al proprio rivenditore/distributore Molift/Etac locale.

L'ispezione periodica deve essere effettuata almeno una volta all'anno o con maggiore frequenza se richiesto dalle disposizioni locali. L'ispezione deve essere eseguita da personale di assistenza autorizzato da Etac. Contattare Etac all'indirizzo molift@etac.com per informazioni sulla formazione e sulle autorizzazioni oppure per conoscere i partner di assistenza autorizzati.

Durante l'esecuzione dell'ispezione periodica, il manutentore dovrà compilare il rapporto per Molift Air. I rapporti devono essere conservati dalla persona o dalle persone responsabili della manutenzione del sistema di sollevamento. Se l'ispezione rileva difetti e danni, il sistema di sollevamento deve essere messo immediatamente fuori servizio e designato chiaramente con "fuori servizio" fino alla riparazione.

Risoluzione dei problemi

Problema	Possibile causa/ Intervento
Il sistema di sollevamento non risponde agli interventi sulla pulsantiera	È stato attivato l'arresto di emergenza. Disattivarlo spingendo indietro il pulsante.
	L'apparato elettronico è surriscaldato. Attendere che si raffreddi.
	La pulsantiera non è collegata correttamente. La pulsantiera, la spina o il cavo potrebbero essere danneggiati e devono essere sostituiti.
Il sistema di sollevamento non risponde al pulsante "su" della pulsantiera	Il sensore di angolazione della cinghia di sollevamento è stato attivato. Regolare la cinghia di sollevamento o spostare il sollevatore per ridurre l'angolazione della cinghia.
Quando si utilizza la discesa elettrica di emergenza, la cinghia di sollevamento si sposta verso l'alto.	La cinghia di sollevamento è fuoriuscita completamente ed è stata avvolta scorrettamente. Utilizzare la discesa manuale di emergenza.

Important

Ce manuel d'utilisation contient des instructions de sécurité importantes et des informations relatives à l'utilisation du harnais et des accessoires.

Dans ce manuel, le « client » est la personne soulevée.

Le « soignant » est la personne actionnant le lève-personne.



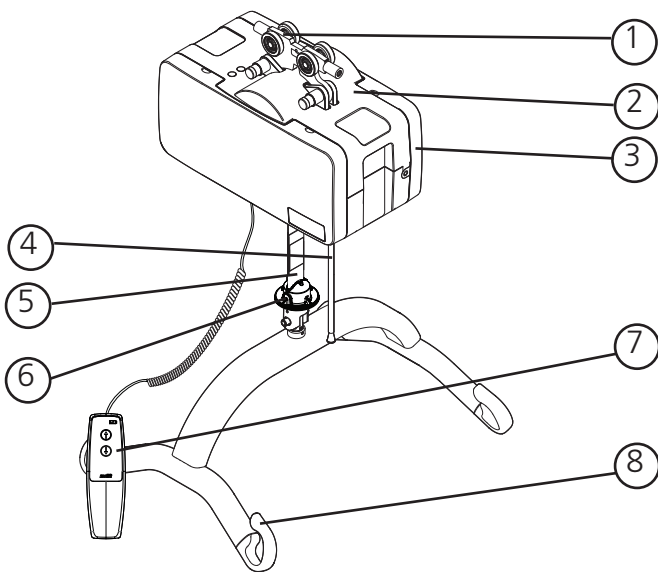
Ce symbole signale des informations importantes liées à la sécurité. Suivre attentivement ces instructions.



Lisez le manuel d'utilisation avant toute utilisation !
Il est important de comprendre parfaitement le contenu du manuel d'utilisation avant de tenter d'utiliser l'équipement.

Rendez-vous sur www.etac.com pour télécharger la documentation et vous assurer que vous disposez bien de la dernière version.

Molift Air 200/350



Composants du lève-personne :

1. Chariot
2. Treuil
3. Capots latéraux
4. Arrêt d'urgence/abaissement d'urgence
5. Courroie de levage
6. Goupille de déverrouillage rapide
7. Commande manuelle
8. Barre d'élingue

À propos de Molift Air

Molift Air est un lève-personne fixé au plafond, robuste et au fonctionnement fluide, qui permet de transférer les patients et résidents de façon sûre et confortable. Il est destiné aux transferts latéraux et en position assise ainsi qu'aux situations de verticalisation et d'entraînement à la marche, en particulier lorsqu'il est utilisé avec le programme d'accessoires complet de Molift. Molift Air comprend un moteur très léger qui, associé au système de raccord à déverrouillage rapide, facilite la manipulation pendant l'installation et l'entretien.

Généralités



Déclaration CE

Le produit et ses accessoires, décrits dans le présent mode d'emploi, sont conformes au règlement (UE) 2017/745 du 5 avril 2017 à titre de dispositif médical de classe I. Le produit a été testé et approuvé par un organisme tiers conformément aux normes CEI 60601-1, CEI 60601-1-2 et EN/ISO 10535:2021. Tout incident grave survenant en lien avec le dispositif doit être signalé au fabricant et à l'autorité compétente de l'État membre dans lequel l'utilisateur et/ou le patient est établi.

Conditions d'utilisation

Le levage et le transfert d'un client présentent toujours un risque et seul le personnel qualifié est autorisé à utiliser l'équipement et les accessoires présentés dans ce manuel d'utilisation. Le système de rail doit être installé par du personnel certifié conformément aux instructions d'installation en vigueur. Le lève-personne n'est pas conçu pour être actionné par le client soulevé.

Modifications et utilisation de composants conçus par d'autres fabricants

Nous recommandons d'utiliser uniquement des composants et pièces détachées Molift. La déclaration de conformité n'est pas valable et Etac ne prend pas en charge la garantie si des modifications sont apportées au produit. Etac ne peut être tenu responsable de pannes ou d'accidents susceptibles de se produire lors de l'utilisation de composants d'autres fabricants. L'utilisation d'accessoires, de pièces détachables et de matériaux non répertoriés dans le présent manuel de l'utilisateur peut constituer un danger.



Seul du personnel certifié est autorisé à ouvrir le treuil ou les accessoires afin de réaliser des opérations d'entretien ou de réparation. Risque de blessure causée par les pièces rotatives et risque de décharge électrique.



Avis de garantie

Garantie de deux ans contre les vices de fabrication et les défauts matériels de nos produits.
Garantie d'un an pour la batterie.
Pour connaître les conditions générales, veuillez consulter le site www.etac.com.

Définitions

La personne décrite comme « l'utilisateur » dans ces instructions d'utilisation est la personne assise sur le produit. Le « soignant » est la personne qui manœuvre le produit.

Usage prévu

À utiliser pour le levage et le transfert d'utilisateurs qui ont besoin d'un soutien pour être soulevés ou transférés dans un système de rail ; par ex. vers/depuis un lit, le sol, un fauteuil roulant, une chaise de douche, des toilettes ou autre dispositif similaire. Également pour l'entraînement à la marche en combinaison avec un harnais d'aide à la marche.

Groupe cible visé

Destiné aux utilisateurs qui ont besoin d'un soutien pour être soulevés et transférés, ou pendant l'entraînement à la marche ; par ex. les personnes à mobilité réduite et qui ont besoin d'un soutien du corps pendant les transferts. Liste non exhaustive.

Environnement prévu

Prévu pour une utilisation en intérieur dans un système de rail pour soins intensifs, soins de longue durée, soins à domicile

Indications

L'appareil peut être utilisé pour les enfants, les adultes et les personnes âgées ayant besoin d'un soutien pour être soulevés et transférés, ou lorsqu'ils s'entraînent à la marche, dans un système de rail.

Le groupe cible du dispositif est basé sur l'état de santé individuel et la fonction de mobilité, non sur un diagnostic ou un âge spécifique.

Contre-indications

Il n'existe aucune contre-indication connue concernant le lève-personne, mais assurez-vous que le harnais convient à l'utilisateur.

Étiquettes d'avertissement et symboles

Symboles utilisés sur le produit, expliqués en détail :



Classe II, double isolation



Marquage CE



Consulter le manuel d'utilisation



Utilisation en intérieur uniquement



Poids max. de l'utilisateur



Ne pas jeter avec les déchets ménagers



Arrêt d'urgence/
abaissement d'urgence



Témoin d'entretien



Témoin de batterie



Symbole d'outil à six pans pour l'abaissement d'urgence manuel



Marquage de l'organisme de certification



Limites d'humidité



Limites de pression atmosphérique



Limites de température



Fabricant



Date de fabrication



Référence catalogue



Numéro de série

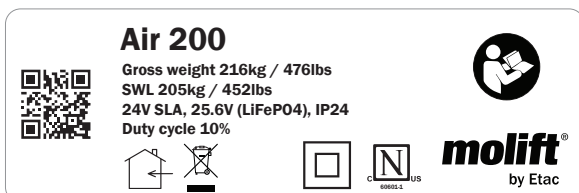


Dispositif médical

Identification du produit

Étiquette du produit

Le code-barres de l'étiquette du produit contient les numéros d'article et de série, ainsi que la date de fabrication du produit :



Caractéristiques techniques

Charge maximale d'utilisation (CMU)

Molift Air 200 : CMU = 205 kg (450 lbs)

Plage de CMU en option (réglage) 160-205 kg

Molift Air 350: CMU = 350 kg (771 lbs)

Plage de CMU en option (réglage) 160-350 kg

Poids de l'unité :

Châssis, avec batterie et sans barre d'élingue :

8,56 kg (18,87 lb)

Barre d'élingue Medium à 4 points : 2,2 kg/4,8 lb

Batterie :

Art. : 2920204 25,6 V LiFePO4 2,4 Ah

Art. : 2920007 12 V SLA 2,9 Ah

Chargeur de batterie:

Chargeur de la commande manuelle, Mascot – type 3743

Art. n° : 2540100

100-240 V CA, 50-60 Hz max. 0,5 A

Sortie : 0,9 A

Alimentation électrique IRC, Mascot - type 3721

Art. n° : 2610119

Entrée : 100-240 V CA, 50-60 Hz max. 1,0 A

Sortie : 24 V CC 1,75 A/42 W

Chargeur IRC, Mascot - type 3844

Art. n° : 2640200

Entrée : 20-30 V CC 1,3 A

Sortie : 0,5 A

Vitesse de levage

60 mm/seconde (2,36 pouces/seconde)

avec une charge de 75 kg (165,35 lb)

Vitesse du moteur à propulsion

0,2 m/seconde (7,87 pouces/seconde)

Classe de protection

Commande manuelle IP24

Moteur de levage IP24

Sound pressure

52 dBA

Sound power (L_{WA})

63 dB

Force nécessAire à l'actionnement des boutons

Boutons du boîtier de contrôle : 3,4 N

Matériau :

Aluminium, plastique, acier

Durée de vie prévue :

Le treuil a une durée de vie prévue de 30 000 cycles (CMU) ou ans.

Dimensions :

L x l x H (longueur, largeur, hauteur sans chariot)

36 x 19 x 19,5 cm

(14,2 x 7,5 x 7,7 pouces)

A Intervalle de levage Air 200 :

300 cm (118 pouces)

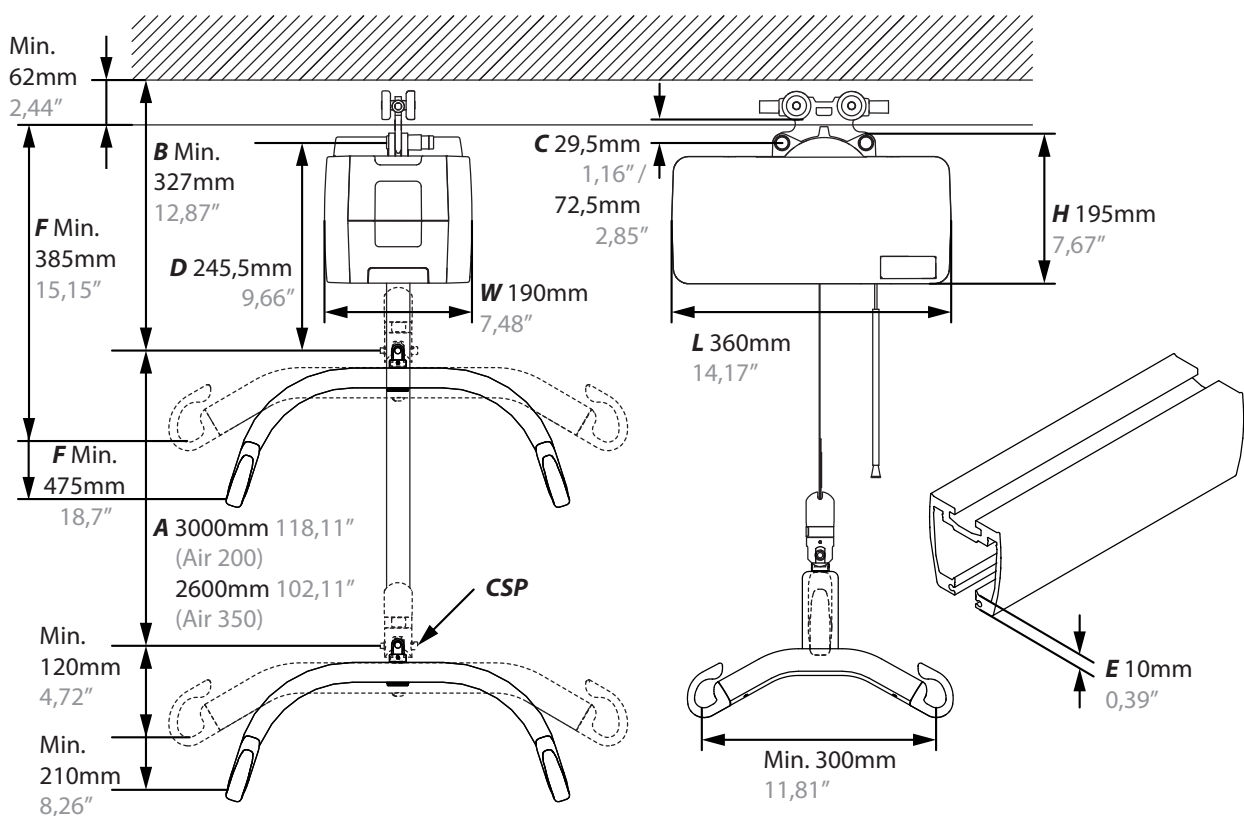
Intervalle de levage Air 350 :

260 cm (102 pouces)

B (distance minimale entre le plafond et le point de

raccordement de la suspension) 32,7 cm (12,78 pouces)

Pour en savoir plus sur les caractéristiques techniques, comment réaliser l'entretien et les réparations, reportez-vous au manuel technique.



Installation

La charge maximale d'utilisation (CMU) est indiquée sur le treuil et ne doit pas dépasser la capacité de charge maximale du système de rail.

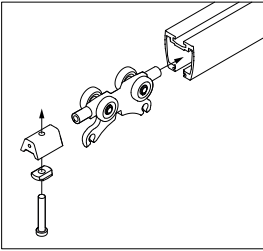


Le système de rail peut être installé uniquement par du personnel certifié conformément aux instructions d'installation en vigueur.



Terminez le contrôle indiqué par la liste de vérification post-installation avant de commencer à utiliser le treuil.

Installation du chariot



Montage du chariot dans le système de rail. Ôtez la butée et insérez le chariot dans le rail. Montez la butée et assurez-vous qu'elle est solidement fixée. Reportez-vous à BM3401 pour les instructions d'installation détaillées. Etac propose des chariots pour monter les ascenseurs Molift dans les systèmes ferroviaires d'autres fabricants. Contactez votre représentant Etac local pour plus d'informations sur les wagons compatibles avec les systèmes ferroviaires d'autres fabricants.

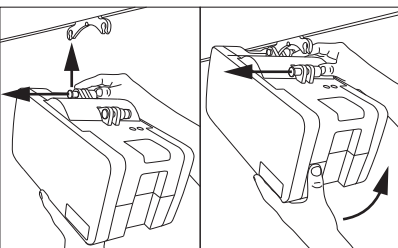


Assurez-vous que les butées sont montées à chaque extrémité du système de rail avant d'utiliser le treuil !

Installation du lève-personne

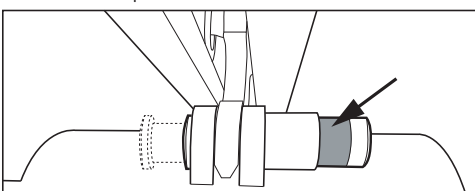


Soyez prudent lorsque vous travaillez en hauteur. Nous recommandons d'être au moins deux pour procéder à l'installation, afin de prévenir toute perte d'équilibre ou blessure !



Montage du lève-personne sur le chariot. Pas d'outils nécessaires. Le lève-personne présente deux points de raccordement.

Raccordez d'abord un point. Enfoncez entièrement le bouton et placez le lève-personne dans le point de raccordement sur le chariot. Relâchez le bouton et veillez à ce qu'il soit vert avant de connecter le point suivant.



Assurez-vous que les deux boutons de point de raccordement se remettent complètement en place et apparaissent clairement en vert après l'installation. Il est possible d'ajuster le tube et le cordon d'abaissement d'urgence à la longueur appropriée (hauteur) en les coupant.

Installation

Utilisez cette liste de vérification pour vous assurer avant toute utilisation que le treuil est installé correctement et peut fonctionner convenablement et en toute sécurité.

- Les butées sur le rail sont installées une fois le chariot monté, comme décrit dans BM3401.
- Assurez-vous que le treuil est correctement fixé au rail et qu'aucune pièce n'est lâche sur le lève-personne.
- Réalisez un levage avec charge (60-80 kg).
- Assurez-vous que la batterie est complètement chargée.

Comment utiliser Molift Air

Précautions générales relatives à la sécurité

N'utilisez que des accessoires et harnais adaptés au client, à son type de handicap, à sa taille, à son poids, ainsi qu'au type de transfert.

Intervalles de fonctionnement et de pause.

Molift Air 200/350 ne doit pas fonctionner en continu pendant plus de 2 minutes (sous charge maximale) et doit rester au repos pendant au moins 18 minutes. Pourcentage d'utilisation: 10 %. (Intervalles conformes à la norme ISO-EN 10535)



Ne placez pas le treuil dans une position qui rend difficile le débranchement du câble secteur. Pour isoler le système, retirez le câble secteur de la prise électrique murale.



Si la charge maximale d'utilisation (CMU) diffère entre la barre d'élingue du treuil et l'unité de soutien du corps, respectez toujours la charge maximale la plus faible.



Les lève-personnes Molift peuvent uniquement être utilisés pour soulever des clients. N'utilisez jamais le lève-personne pour soulever ou déplacer des objets d'aucune sorte.

Vérifications quotidiennes/avant utilisation

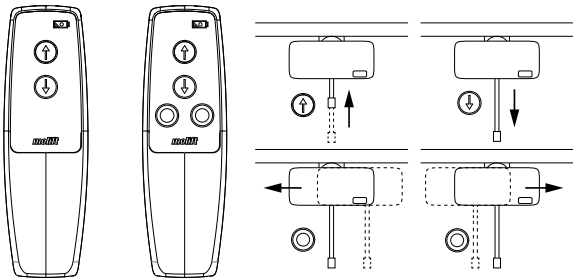
Contrôles à réaliser quotidiennement ou avant toute utilisation par le soignant :

- Vérifiez que le lève-personne et le système de rail ne présentent aucun dommage, défaut ou déformation visible.
- Assurez-vous que la barre d'élingue et toutes les pièces détachables sont correctement connectées et fixées.
- Testez le bouton d'arrêt d'urgence et l'abaissement d'urgence.
- Vérifiez que les témoins d'entretien et de batterie ne sont pas allumés.
- Assurez-vous que la sangle de levage ne présente aucun signe de dommage ou d'effilochage.
- Testez les fonctions du lève-personne et assurez-vous que le lève-personne ne fait pas de bruit anormal.

En présence de défauts, l'appareil doit être mis hors d'état de fonctionnement et marqué « hors service ». Aucune pièce du Molift Air ne doit être entretenue ou réparée lorsqu'un patient est installé sur l'appareil.

Commande manuelle

La commande manuelle est munie de 2 boutons destinés au levage et à l'abaissement ou de 4 boutons si le treuil est équipé d'un système de propulsion. La commande manuelle présente un témoin lumineux qui s'allume lorsque le niveau de la batterie est faible et que le lève-personne doit être chargé.

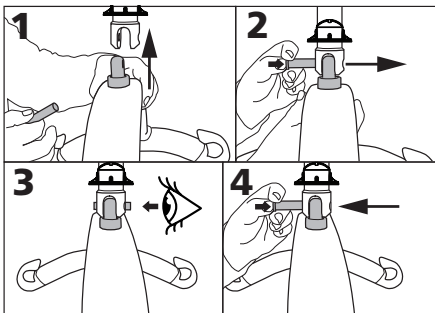


Ne tirez pas sur la commande manuelle pour déplacer le treuil le long du rail.



La levée ne fonctionne pas si la commande manuelle est connectée à un chargeur. Débrancher la commande manuelle du chargeur avant d'utiliser le système de levée.

Montage de la barre d'élingue

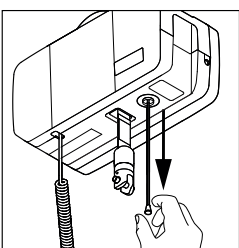


1. Alignez la barre d'élingue avec le point de raccordement.
2. Appuyez sur le bouton de la goupille de verrouillage et enfoncez-le complètement.
3. Assurez-vous que la goupille de verrouillage est correctement fixée.
4. Appuyez sur le bouton de la goupille de verrouillage et maintenez-le enfoncé, puis tirez pour retirer la goupille de verrouillage.

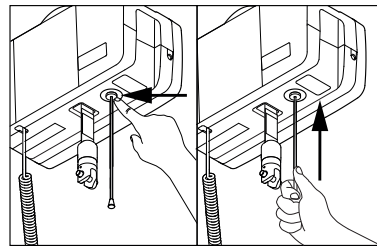
Arrêt d'urgence/abaissement d'urgence

Arrêt d'urgence

Activation et réinitialisation de l'arrêt d'urgence :



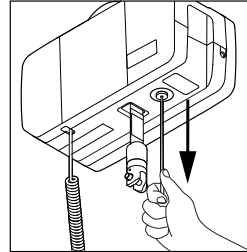
Tirez pour activer l'arrêt d'urgence. Le bouton sort et le treuil s'arrête.



Appuyez avec le doigt ou utilisez le tube sur le cordon pour remettre le bouton en position afin de réinitialiser l'arrêt d'urgence.

Abaissement d'urgence électrique

Tirez jusqu'à ce que l'abaissement s'enclenche. Maintenez jusqu'à ce que le client soit abaissé et puisse être détaché de la barre d'élingue.



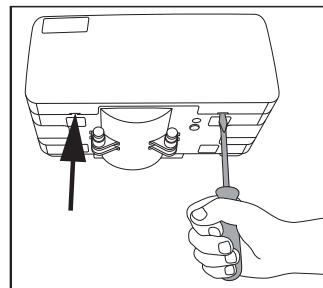
Uniquement pour les situations d'urgence, lorsque la commande manuelle ne fonctionne pas !

Abaissement d'urgence manuel



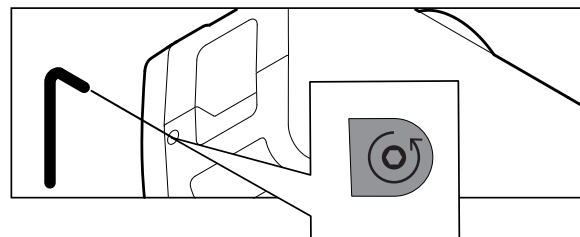
L'abaissement manuel d'urgence doit uniquement être réalisé par le personnel d'entretien !

Une clé Allen ou une mèche de perceuse électrique est incluse dans le lève-personne. Retirez le capot pour la localiser.



Appuyez et poussez le capot vers l'extérieur en insérant un tournevis plat ou une pièce de monnaie dans les deux fentes pour ouvrir le capot.

Repérez l'autocollant apposé sur l'orifice de l'abaissement d'urgence manuel. Perforez l'autocollant au niveau de l'orifice ou ôtez-le et insérez l'outil. Tournez dans le sens inverse des aiguilles d'une montre pour abaisser la courroie de levage. L'utilisation d'une perceuse électrique est recommandée.



Une opération d'entretien n'est PAS nécessaire si :

- 1) l'abaissement d'urgence manuel de l'Air est utilisé pour une raison connue, et si
- 2) la courroie n'est pas endommagée, et si

3) l'unité fonctionne normalement après la procédure d'abaissement d'urgence manuel.

Le nouveau système de neutralisation du freinage contribue à éviter la nécessité d'une opération d'entretien grâce à une moindre sollicitation des composants du lève-personne en cas d'abaissement d'urgence manuel.

Si l'unité a subi un dysfonctionnement dont la raison est inconnue et si le système d'abaissement d'urgence manuel a été utilisé, une opération d'entretien est nécessaire.

Système électronique

Transport et stockage

En cas de stockage prolongé, il est recommandé d'activer le bouton d'arrêt d'urgence (bouton sorti). Vous pouvez stocker et transporter le lève-personne à des températures comprises entre -25 et 70 °C.

Fonctionnement

Le lève-personne est destiné à une utilisation à des températures ambiantes standard (+5 à +40 °C).

Pression de l'Air : 70 - 106 kPa

Humidité relative : 15 - 90 %

Après un stockage ou un transport à d'autres températures, laissez le lève-personne dans une pièce présentant une température adéquate jusqu'à ce qu'il atteigne une température de fonctionnement sûre.



Les équipements électromédicaux nécessitent des précautions spéciales en matière de compatibilité électromagnétique (CEM). Les équipements de radiocommunication portables ou mobiles peuvent affecter les équipements électromédicaux et doivent rester à au moins 25 cm (10 pouces) du système électronique du lève-personne.

Batteries

Molift Air 200/350 est disponible avec une batterie 2 x 12 V SLA ou une batterie 25,6 V LiFePO4.

La batterie SLA présente une durée de vie de 500 cycles de charge environ.

La batterie LiFePO4 présente une durée de vie de 2 000 cycles de charge environ.



Rechargez la batterie à sa réception, puis rechargez-la tous les six mois, pour éviter toute défaillance de celle-ci.



Les batteries doivent être mises au rebut en tant que déchets spéciaux, conformément aux règles et réglementations locales. Ne pas jeter avec les déchets ménagers. Le remplacement des batteries au lithium ou piles à combustible par du personnel insuffisamment formé peut présenter un danger.

Témoins de batterie et d'entretien sur le lève-personne

	Symbole de clé/témoin d'entretien
	Symbole de batterie/témoin de batterie

Le système électrique est pourvu d'une fonction d'économie d'énergie qui désactive le système électrique au bout de dix minutes après son dernier fonctionnement. Tous les témoins s'éteignent.

Pour réactiver le système, appuyez sur l'un des boutons de manœuvre de la commande manuelle.

Témoin de batterie sur le treuil

Lorsque le témoin de batterie à plusieurs niveaux est jaune, le lève-personne dispose de suffisamment d'énergie pour au moins un cycle complet de levage à charge maximale. Lorsque le témoin de batterie clignote en jaune, il est seulement possible d'abaisser la barre d'élingue.

<i>Témoin de batterie</i>		<i>Niveau de batterie</i>
	Vert	80 % ou plus
	Vert	80 - 60 %
	Vert	60 - 40 %
	Vert	40 - 20 %
	Jaune	20 - 0 %
	Jaune clignotant	0 %

Témoin d'entretien/inspection périodique

Le système électronique du lève-personne mémorise le nombre de levages et les charges correspondantes. Au bout d'une durée de fonctionnement donnée, un signal est envoyé pour indiquer qu'un entretien est nécessaire.

<i>Témoin d'entretien</i>	<i>Mode</i>
Éteint	Entretien pas nécessaire
Jaune	Inspection périodique requise
Vert clignotant	Prévoir un entretien
rouge.	Réaliser l'entretien

Entretien

Lorsque le lève-personne a effectué un certain nombre d'opérations de levages (5 000 levages avec la charge maximale autorisée [CMU]), le témoin d'entretien s'allume en rouge. Un entretien, incluant l'inspection et le remplacement des pièces usées, doit ensuite être effectué par du personnel autorisé. Contactez Etac ou votre revendeur local, ou rendez-vous sur etac.com pour trouver un partenaire de service agréé.

Recharge

Molift Air peut être chargé par l'intermédiaire de la commande manuelle avec le chargeur de batterie ou via le chargement sur rail.

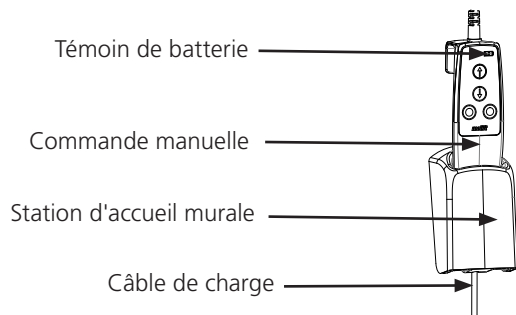
Témoin du chargeur et témoin d'alimentation électrique

Témoin du chargeur	Mode
Vert clignotant	Treuil non connecté
Jaune	Recharge
Jaune clignotant	Maintien du niveau de charge
Vert	Recharge terminée

Témoin d'alimentation électrique	Mode
Bleu	Branché à la prise de courant

Chargement via la commande manuelle

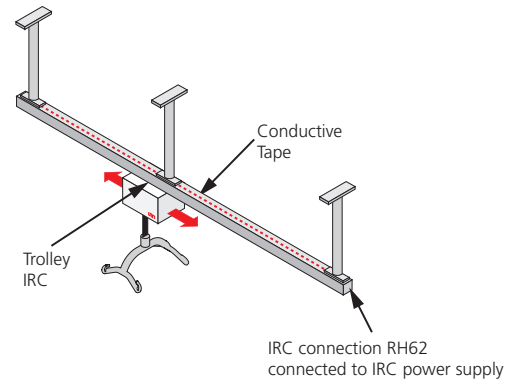
Le chargeur de batterie est branché à une prise électrique. Une station d'accueil murale est disponible pour la commande manuelle. Prenez garde à ne pas endommager le câble. Le chargeur peut être connecté à la prise électrique à tout moment. Utilisez uniquement des chargeurs Molift. La commande manuelle présente un témoin lumineux qui s'allume lorsque le niveau de la batterie est faible et que le lève-personne doit être chargé. Chargeur pour commande manuelle Molift Air : Art. n° : 2540100



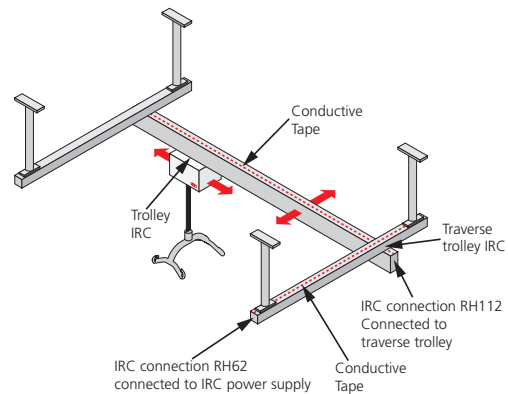
IRC (In Rail Charging) - chargement sur rail

Le moteur se charge par l'intermédiaire d'une alimentation et d'un chargeur intégré permettant un chargement continu sur toute la longueur du système de rail.

Molift Air IRC est muni d'un chargeur intégré relié à la batterie. Il doit être installé avec un chariot IRC sur un système de rail doté d'un ruban conducteur. Le chariot IRC est relié au chargeur de batterie situé à l'intérieur de Molift Air IRC. Il est en contact constant avec le ruban conducteur à l'intérieur du rail. L'alimentation électrique IRC est reliée au ruban conducteur via la connexion IRC à l'extrémité du rail et fournit de l'électricité au chargeur de batterie situé à l'intérieur de Molift Air IRC.



Le système IRC convient tant pour le rail simple que pour les systèmes transversaux.



Alimentation électrique IRC

Art. n° : 2510119

Chargeur 3844 CC/CC (élément de Molift Air IRC)

Art. n° : 2640101

Transfert

Planifiez l'opération de levage à l'avance afin de garantir une procédure aussi sûre et fluide que possible. Pensez à travailler de façon ergonomique. Évaluez les risques et prenez des notes. L'assistant est responsable de la sécurité de l'utilisateur.

Molift Air peut être utilisé avec une barre d'élingue à 2 ou 4 points, pour divers types de transfert : assis, couché ou aide à la marche.

Utilisation des harnais

Il est important que le harnais soit testé avec chaque utilisateur et pour le levage prévu.



Lisez le manuel d'utilisation du harnais avant toute utilisation.



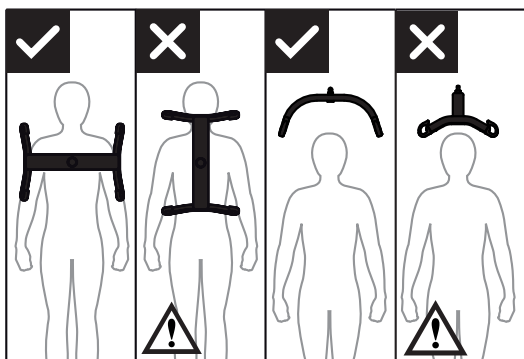
N'utilisez pas de harnais endommagés ou usés.

Harnais d'autres fabricants

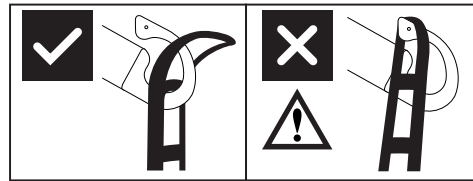
Nous recommandons d'utiliser des élingues Etac ou Molift. Le palan peut être combiné avec des élingues d'autres fabricants dotées de boucles de suspension similaires. Visitez www.etac.com pour les déclarations de compatibilité entre les élévateurs et les élingues d'autres fabricants. Veuillez noter que la personne physique ou morale utilisant des appareils compatibles marqués CE provenant de différents fournisseurs est responsable de l'activité. Etac ne pourra donc être tenu responsable de tout incident.

Levage et abaissement

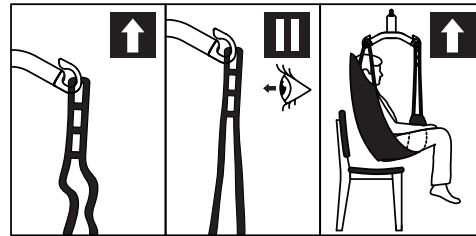
Lorsque vous déplacez le client, tenez-vous à côté de lui. Assurez-vous que les bras et jambes n'obstruent pas l'accès au siège, au lit, etc. Maintenez le contact visuel avec le client pour qu'il se sente en sécurité.



La barre d'élingue à 4 points doit toujours être positionnée dans la largeur du client afin d'éviter que celui-ci ne glisse accidentellement du harnais.



Les crochets de la barre d'élingue sont conçus de telle façon qu'ils empêchent le harnais de se détacher accidentellement lorsqu'il est monté correctement.



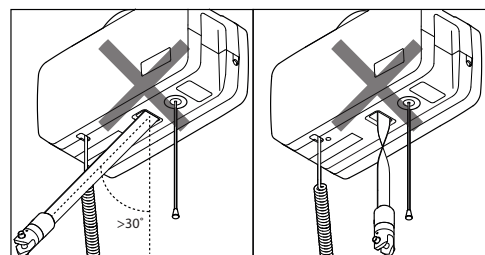
1. Vérifiez que le harnais soutient correctement le client et que les boucles des sangles sont correctement fixées aux crochets de la barre d'élingue.
2. Étirez les sangles du harnais sans soulever le client. Assurez-vous que les quatre boucles du harnais sont solidement fixées afin d'éviter que le client ne glisse ou ne tombe.
3. Soulevez le client et procédez au transfert.



N'utilisez pas l'arrêt d'urgence pour arrêter le lève-personne, sauf en cas d'urgence. Le lève-personne s'éteint (veille) automatiquement au bout de 5 minutes d'inactivité.

Capteur d'angle

Le treuil présente une fonction de sécurité directionnelle qui empêche le levage si l'angle de la sangle de levage est trop élevé.



Si le treuil ne réagit pas au bouton de levée de la commande manuelle, cela peut être dû à un angle trop élevé de la sangle de levage ou à la torsion de la courroie de levage. Dans ces cas, le capteur s'active.

Accessoires

Cordons et prises du chargeur.

Adaptateur pour prise UE, art. n° 2510365

Adaptateur pour prise R.-U., art. n° 2510366

Adaptateur pour prise É.-U., art. n° 2510367

Adaptateur pour prise AUS, art. n° 2510368

Cordon UE, art. n° 1140105

Cordon R.-U., art. n° 1140106

Cordon É.-U., art. n° 1140104

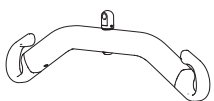
Cordon AUS, art. n° 1140107

Support mural pour chargeur, art. n° 2610123

Barres d'élingue

Molift Air peut être utilisé avec une barre d'élingue à 2 ou 4 points.

Barre d'élingue en aluminium



Small à 2 points, aluminium, 350 mm,

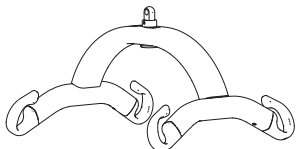
Art. n° : 2530115

Medium à 2 points, aluminium, 450 mm,

Art. n° : 2530120

Large à 2 points, aluminium, 550 mm,

Art. n° : 2530125



Small à 4 points, aluminium, 350 mm,

Art. n° : 2530210

Medium à 4 points, aluminium, 450 mm,

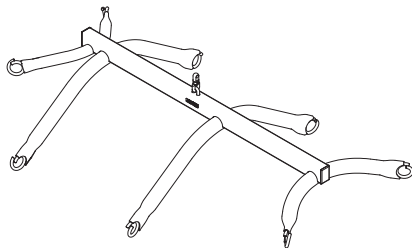
Art. n° : 2530211

Large à 4 points, aluminium, 550 mm,

Art. n° : 2530212

X-Large à 4 points, aluminium, 650 mm,

Art. n° : 2530213



Barre d'élingue à 8 points en acier pour civière en tissu

Art. n° : 2140003

Balance

Balance Molift (sans barre d'élingue)

Art. n° : 1840000

Peut être associée à toutes les barres d'élingue compatibles Molift Air. La balance est de classe III et peut également calculer l'IMC (indice de masse corporelle) d'une simple pression de touche. Lisez le manuel fourni avec la balance avant de l'utiliser.

Harnais

Etac propose une grande variété de harnais convenant à divers types de transfert. La gamme de harnais Molift RgoSling a été conçue pour être associée à une barre d'élingue à 4 points avec connexions en boucle. Le harnais fonctionne également avec une barre d'élingue à 2 points. Reportez-vous à la liste des combinaisons dans le manuel d'utilisation du harnais pour savoir quels harnais et barre d'élingue associer.

La gamme de harnais Molift RgoSling est disponible dans les tailles XXS à XXL, en polyester ou polyester maillé. Vous retrouverez la liste complète des harnais et barres d'élingue sur www.etac.com.

Molift Rgosling Mediumback Padded (XS-XXL)

Molift Rgosling Highback Padded (XS-XXL)

Molift Rgosling Mediumback Net (XXS-XXL)

Molift Rgosling Highback Net (XXS-XXL)

Molift Rgosling Toilet Lowback (XXS-XXL)

Molift Rgosling Toilet Highback (XXS-XXL)

Molift Rgosling Ampu Mediumback (XXS-XXL)

Molift Rgosling Ampu Highback (XXS-XXL)

Molift Rgosling Ambulating Vest

Molift Rgosling Comfort Highback (S-L)

Molift RgoSling Fabric Stretcher

Molift RgoSling Repositioning

Tillbehör:

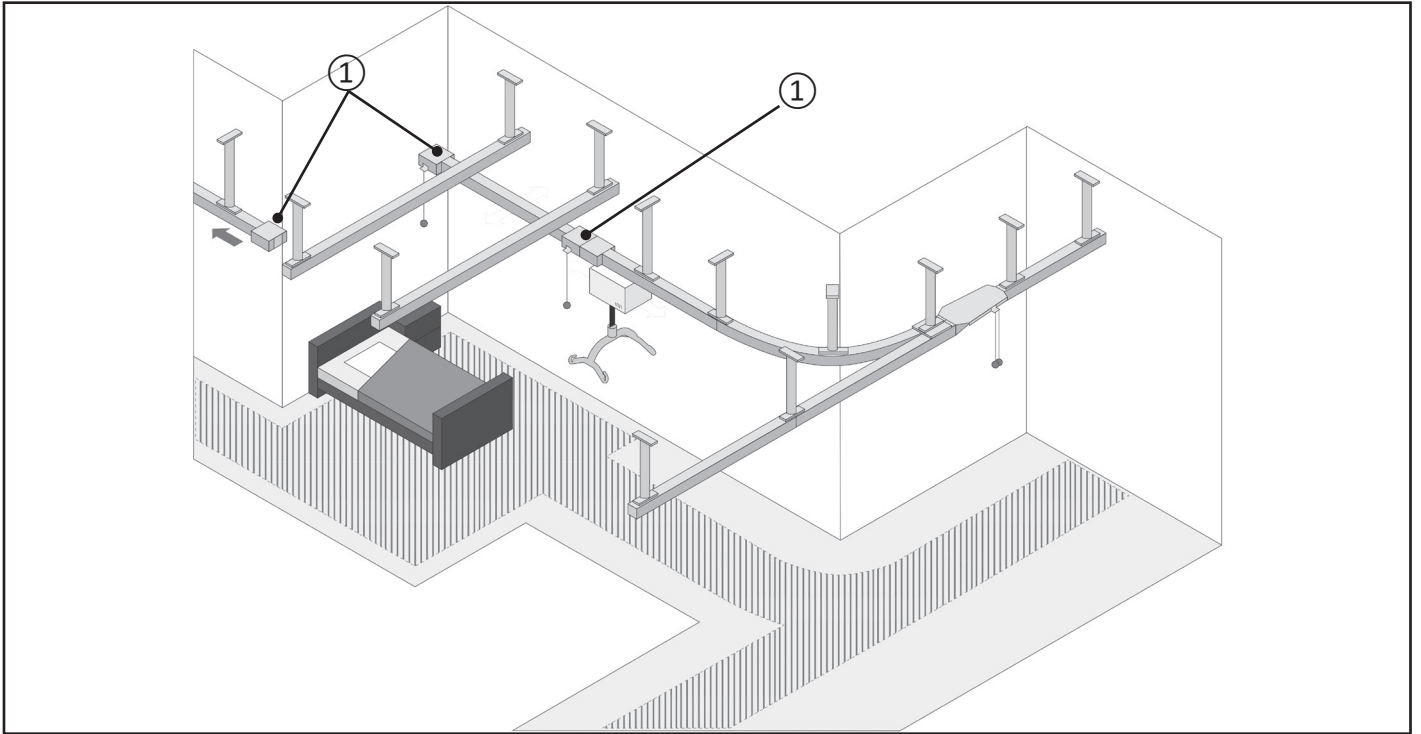
Molift Rgosling Extension Loops

Art.nr.: 1721600

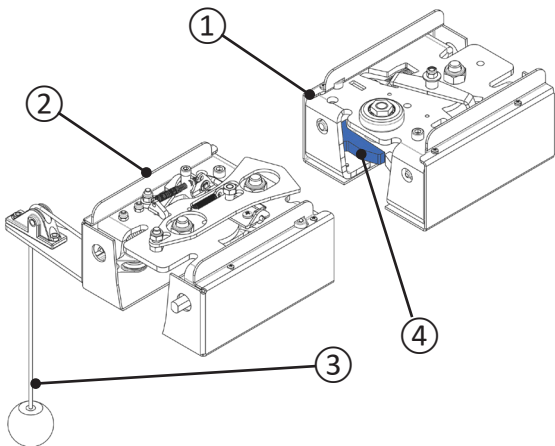
Molift Rgosling Ambulating Vest Groin strap (XXS-XL)

Système de connexion

Certains systèmes de rail sont équipés de systèmes de connexion ①. Ils sont utilisés pour transférer l'utilisateur d'un système de rail à un autre, par exemple entre deux pièces différentes.

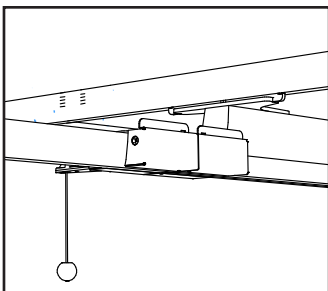


Composants

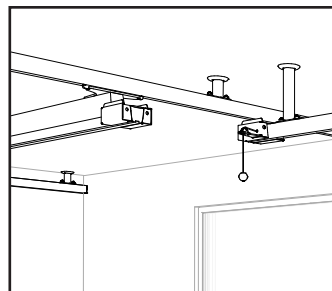


- ① Unité de système de connexion
- ② Unité de système de connexion avec poulie
- ③ Poulie avec poignée
- ④ Sécurité (deux par unité)

États



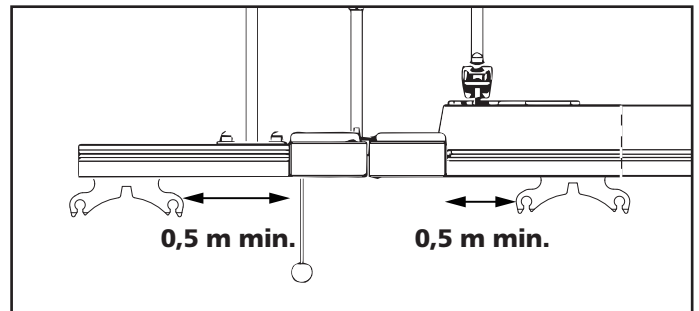
Connecté



Déconnecté

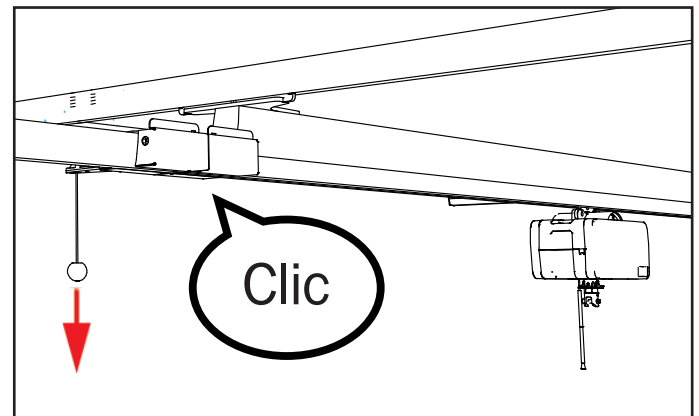
Déconnexion

Avant de déconnecter le système de connexion, assurez-vous que le chariot se trouve à 0,5 m minimum de l'unité de système de connexion.



Tirez la poulie vers le bas jusqu'à la butée.

Un son confirmant la déconnexion est émis.

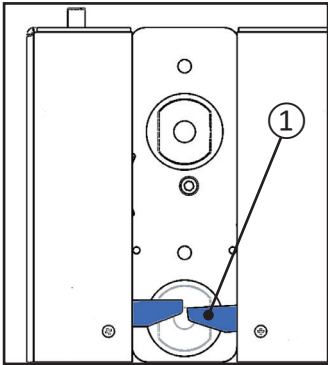


Le système de connexion est à présent déconnecté.

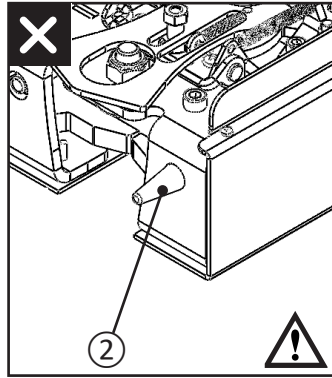
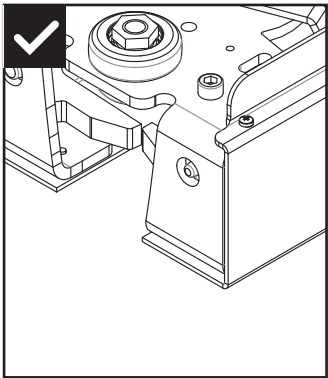
Transfert – Système de connexion déconnecté

N'effectuez aucun transfert d'utilisateur avant d'avoir vérifié les points suivants :

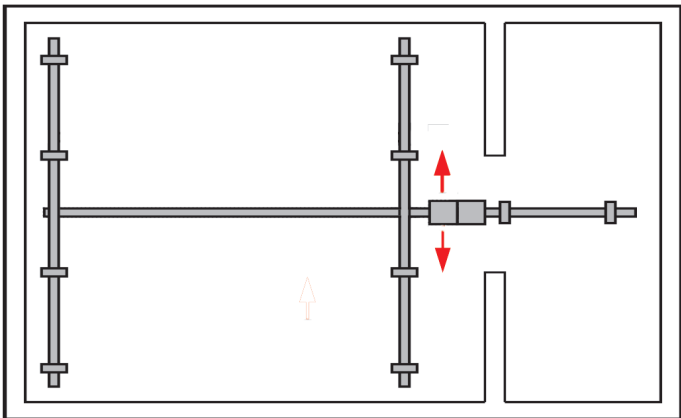
Les deux sécurités ① sont visibles (unité de système de connexion vue du bas).



Le boulon de verrouillage ② ne doit **pas** être visible lorsque le couplage est débranché.

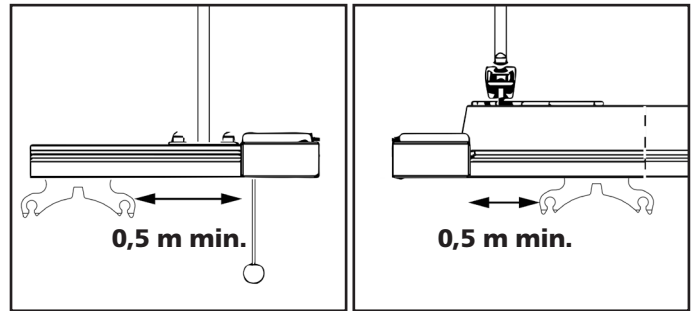


Poussez le rail transversal dans la direction souhaitée.

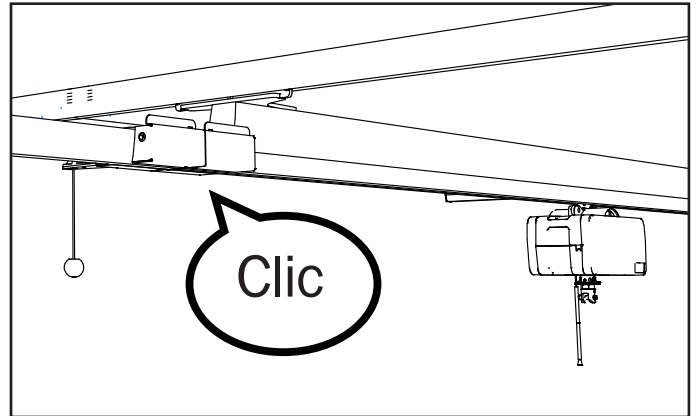


Connexion

Avant de raccorder les unités de système de connexion, assurez-vous que le chariot se trouve à 0,5 m minimum de l'unité de système de connexion.



Poussez le rail transversal vers le rail fixe, de sorte que les systèmes de connexion se connectent et que vous entendiez un clic.



Transfert – système de connexion connecté

N'effectuez aucun transfert d'utilisateur avant d'avoir vérifié que les systèmes de connexion sont complètement verrouillés ensemble. Il doit être impossible d'écarter les rails manuellement. L'utilisateur peut maintenant être transféré d'un rail à l'autre.

Nettoyage/désinfection

Nettoyez le dispositif régulièrement. Nettoyez les surfaces avec un chiffon humide et un détergent approprié au pH neutre. N'utilisez pas de solvants ou de liquides forts, car ils pourraient endommager les surfaces du lève-personne. Lorsqu'une désinfection est nécessaire, utilisez de l'alcool isopropylique. Évitez les produits de nettoyage abrasifs. Vérifiez l'arrêt d'urgence et l'abaissement d'urgence après le nettoyage. Le lève-personne ne doit pas être exposé à de l'eau courante. Lors d'une installation dans des environnements présentant un risque d'humidité, il est important que le système de rails et le moteur soient régulièrement lavés et séchés. Un guide complet pour réduire les risques de corrosion est disponible sur demande.



Assurez-vous de ne pas endommager ou ôter les étiquettes lors du nettoyage.



Le treuil et la commande manuelle sont conformes à la classe de protection IP24 ce qui signifie qu'ils sont dotés d'une protection > 12,5 mm contre l'accès aux parties dangereuses et contre l'eau tombant en pluie fine à la verticale dans une direction faisant un angle inférieur ou égal à 60°.



Le soignant et le client sont exposés aux matériaux suivants : polypropylène et polyester (harnais*), PC/ABS (protection de la commande manuelle et du treuil), aluminium laqué époxy, zinc thermolaqué (barres d'élingue).
* = Partie appliquée



Dans de rares cas, le client ou le soignant exposé au polypropylène et au polyester peut déclencher des réactions allergiques telles que des irritations et une sensibilité cutanées ainsi que des démangeaisons légères.

Reconditionnement

Suivez la procédure de nettoyage et d'installation, réalisez l'inspection périodique et utilisez la liste de vérification post-installation pour reconditionner le lève-personne.

Recyclage

Reportez-vous aux instructions de recyclage pour savoir comment mettre le produit au rebut correctement. Elles sont disponibles sur www.etac.com.

Pièces détachées

Une liste de pièces détachées est disponible sur demande.

Champ de l'inspection périodique

L'inspection périodique est un examen visuel (en particulier de la structure de soutien de la charge du lève-personne et du mécanisme de levage avec ses fixations, freins, commandes, dispositifs de sécurité et dispositifs de soutien des personnes) conforme au rapport d'inspection périodique des Molift Air 200 et 350.

Rendez-vous sur www.etac.com.



En cas de problème sur le lève-personne présentant un danger pour la sécurité, le lève-personne doit immédiatement être mis hors service et marqué comme tel. N'utilisez pas le lève-personne tant qu'il n'a pas été réparé. Contactez votre revendeur/distributeur local Molift/Etac pour signaler tout problème.

L'inspection périodique doit être réalisée au moins une fois par an ou plus fréquemment si les exigences locales le requièrent. L'inspection doit être réalisée par du personnel d'entretien autorisé par Etac. Contactez Etac à l'adresse molift@etac.com pour la formation et l'autorisation ou la recommandation d'un partenaire d'entretien agréé.

Lors d'une inspection périodique, l'inspecteur doit remplir le rapport d'inspection de Molift Air. Les rapports doivent être conservés par la/les personne(s) responsable(s) de l'entretien du lève-personne. Si vous observez des défauts et des dommages, veuillez mettre le lève-personne hors service et l'indiquer clairement comme tel jusqu'à ce qu'il soit réparé.

Dépannage

Problème	Cause possible/mesure
Le lève-personne ne réagit pas aux boutons de la commande manuelle	L'arrêt d'urgence est activé. Désactivez-le en remettant le bouton en place.
	Le système électronique du lève-personne est en surchauffe. Attendez qu'il refroidisse.
	La commande manuelle n'est pas branchée correctement. La commande manuelle ou la prise ou le cordon peuvent être cassés et nécessiter un remplacement.
Le lève-personne ne réagit pas au bouton de levée de la commande manuelle	Le capteur d'angle de la sangle de levage est activé. Ajustez la sangle de levage ou déplacez le treuil pour réduire l'angle de la sangle de levage.
En utilisant l'abaissement d'urgence électrique, la sangle de levage va vers le haut	La sangle de levage est complètement sortie et s'enroule à l'envers. Utilisez l'abaissement d'urgence manuel.

Importante

Este manual del usuario contiene instrucciones de seguridad importantes e información relacionada con el uso de la eslinga y sus accesorios.

En este manual, se entiende por «usuario» la persona elevada. El cuidador es la persona que opera la grúa.



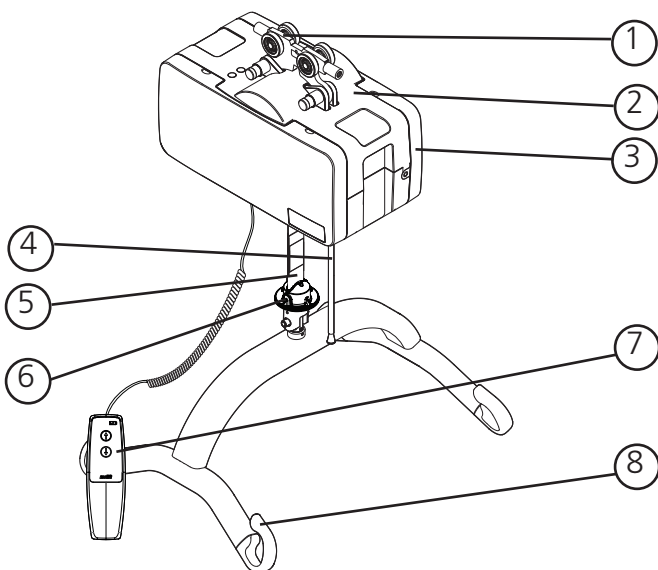
Este símbolo indica que se trata de información importante sobre seguridad. Siga atentamente estas instrucciones.



¡Lea el manual del usuario antes de usar el equipo!
Es importante entender completamente el contenido del manual del usuario antes de utilizar el equipo.

Visite www.etac.com para descargar la documentación y asegurarse de que posee la versión más reciente.

Molift Air 200/350



Componentes del elevador:

1. Carro
2. Elevador
3. Cubiertas laterales
4. Parada/descenso de emergencia
5. Cinta de elevación
6. Pasador de desenganche rápido
7. Mando
8. Percha

Acerca de Molift Air

Molift Air es una grúa de techo fuerte y suave que permite trasladar pacientes y residentes de forma cómoda y segura. Es ideal para traslados laterales y sentados, así como situaciones de entrenamiento de posición erguida y marcha junto con el programa completo de accesorios de Molift.

Molift Air consiste en un motor muy ligero que, en combinación con el sistema de enganche y desenganche rápido, permite un montaje y funcionamiento fácil de manejar.

Información general



Declaración CE

El producto y sus accesorios relacionados, descritos en estas instrucciones de uso (IDU), cumplen con el reglamento (UE) 2017/745 del 5 de abril de 2017 como producto sanitario, clase de riesgo I.

El producto ha sido probado y aprobado por un tercero de acuerdo con las normas ICE 60601-1, ICE 60601-1-2 y EN/ISO 10535:2021. Cualquier incidente grave que se produzca en relación con el dispositivo debe notificarse al fabricante y a la autoridad competente del Estado miembro en el que esté establecido el usuario y/o el paciente.

Condiciones de uso

Elevar y trasladar a un usuario siempre supondrá cierto riesgo, por lo que el equipo y los accesorios descritos en este manual solamente deben ser utilizados por personal debidamente formado. El sistema de raíles debe ser instalado por personal certificado en conformidad con las instrucciones de instalación aplicables. El usuario que va a ser elevado no debe ser quien controle la grúa.

Modificaciones y uso de piezas de otros fabricantes

Recomendamos usar exclusivamente componentes y recambios de Molift. Si se modifica el producto, la declaración de conformidad deja de ser válida y Etac no se hace responsable de la garantía. Etac no se hace responsable de los errores o accidentes que puedan producirse al usar componentes de otros fabricantes. Puede resultar no seguro usar accesorios, piezas sueltas y materiales que no se mencionan en este manual del usuario.



Solamente el personal certificado está autorizado para abrir el elevador o los accesorios para su mantenimiento o reparación. Hay riesgo de lesiones con las piezas giratorias y riesgo de descarga eléctrica.



Aviso de garantía

Garantía de 2 años contra defectos de mano de obra y en materiales de nuestros productos.
Un año de garantía para las baterías.
Consulte los términos y condiciones en www.etac.com.

Definiciones

La persona descrita como el «usuario» se referirá, en estas Instrucciones de uso, a la persona que está tumbada o sentada sobre el prod.

Uso previsto

Para levantar y trasladar a usuarios que necesiten apoyo para ser levantados o trasladados dentro de un sistema de raíles; por ejemplo: a/desde una cama, el suelo, una silla de ruedas, una silla de ducha y aseo, un inodoro o similar. También para entrenar la marcha en combinación con un chaleco de deambulación.

Grupo destinatario previsto

Se utiliza para usuarios que requieren apoyo para ser levantados y trasladados, o durante el entrenamiento para caminar, por ejemplo: personas con capacidad de movimiento limitada y que requieren apoyo corporal durante los traslados. No es una lista exhaustiva.

Entorno previsto

Para uso en interiores dentro de un sistema de raíles en cuidados intensivos, cuidados de larga duración y atención domiciliaria.

Indicaciones

El dispositivo puede ser utilizado para niños, adultos y personas mayores que necesiten ayuda para ser elevados y trasladados, o durante el entrenamiento de la marcha, dentro de un sistema de raíles.

El grupo objetivo del dispositivo se basa en la salud y la función de movilidad de cada persona, y no en un diagnóstico o edad específicos.

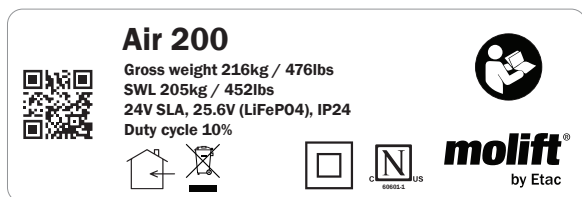
Contraindicaciones

No se conocen contraindicaciones relativas al elevador, pero deberá cerciorarse de que la eslinga se ajuste al usuario.

Identificación del producto

Etiqueta del producto

El código de barras de las etiquetas del producto contiene el número del artículo, el número de serie y la fecha de fabricación:



Símbolos y etiquetas de advertencia

Explicación más detallada de los símbolos utilizados en el producto:



Clase II con aislamiento doble



Con marcado CE



Consulte el manual del usuario



Solo para uso en interiores



Peso máximo del paciente



No eliminar con residuos comunes



Parada/
descenso de emergencia



Indicador de mantenimiento



Indicador de la batería



Símbolo de destornillador hexagonal para el descenso manual de emergencia



Símbolo del organismo de certificación



Limitación de humedad



Limitación de presión atmosférica



Limitación de temperatura



Fabricante



Fecha de fabricación



Número de catálogo



Número de serie



Producto sanitario

Datos técnicos

Carga de trabajo segura (CTS)

Molift Air 200: CTS = 205 kg (450 lbs)
 Rango de CTS opcional (ajuste): 160-205 kg
 Molift Air 350: CTS = 350 kg (771 lbs)
 Rango de CTS opcional (ajuste): 160-350 kg
Peso de la unidad:

Chasis con batería y sin percha:
 8,56 kg (18,87 lb)
 Percha media de 4 puntos: 2,2 kg / 4,8 lb

Batería:

Ref.: 2920204 25,6 V LiFePO4 2,4 Ah
 Ref.: 2920007 12 V SLA 2,9 Ah

Cargador de la batería:

Cargador para mando, Mascot, tipo 3743

N.º de ref.: 2540100
 100-240 V CA, 50-60 Hz máx. 0,5 A
 Salida 0,9 A

Suministro de energía IRC, Mascot, tipo 3721

N.º de ref.: 2610119
 Entrada: 100-240 V CA, 50-60 Hz máx. 1,0 A
 Salida: 24 V CC 1,75 A / 42 W

Cargador IRC, Mascot, tipo 3844

N.º de ref.: 2640200
 Entrada: 20-30 V CC 1,3 A
 Salida: 0,5 A

Velocidad de elevación

60 mm/s (2,36 pulgadas/s)
 con 75 kg (165,35 lb) de carga

Velocidad del motor de propulsión

0,2 m/s (7,87 pulgadas/s)

Clase de protección

Mando IP24

Motor IP24

Sound pressure

52 dBA

Sound power (L_{WA})

63 dB

Fuerza de accionamiento de botones:

Botones del mando: 3,4 N

Material:

Plástico, aluminio, acero

Vida útil prevista:

El elevador posee una vida útil prevista de 30 000 ciclos CTS o 10 años.

Dimensiones:

Lar. × An. × Al. (largo, ancho y alto sin carro)

36 × 19 × 19,5 cm
 (14,2 × 7,5 × 7,7 pulgadas)

A Alcance de elevación Air 200:

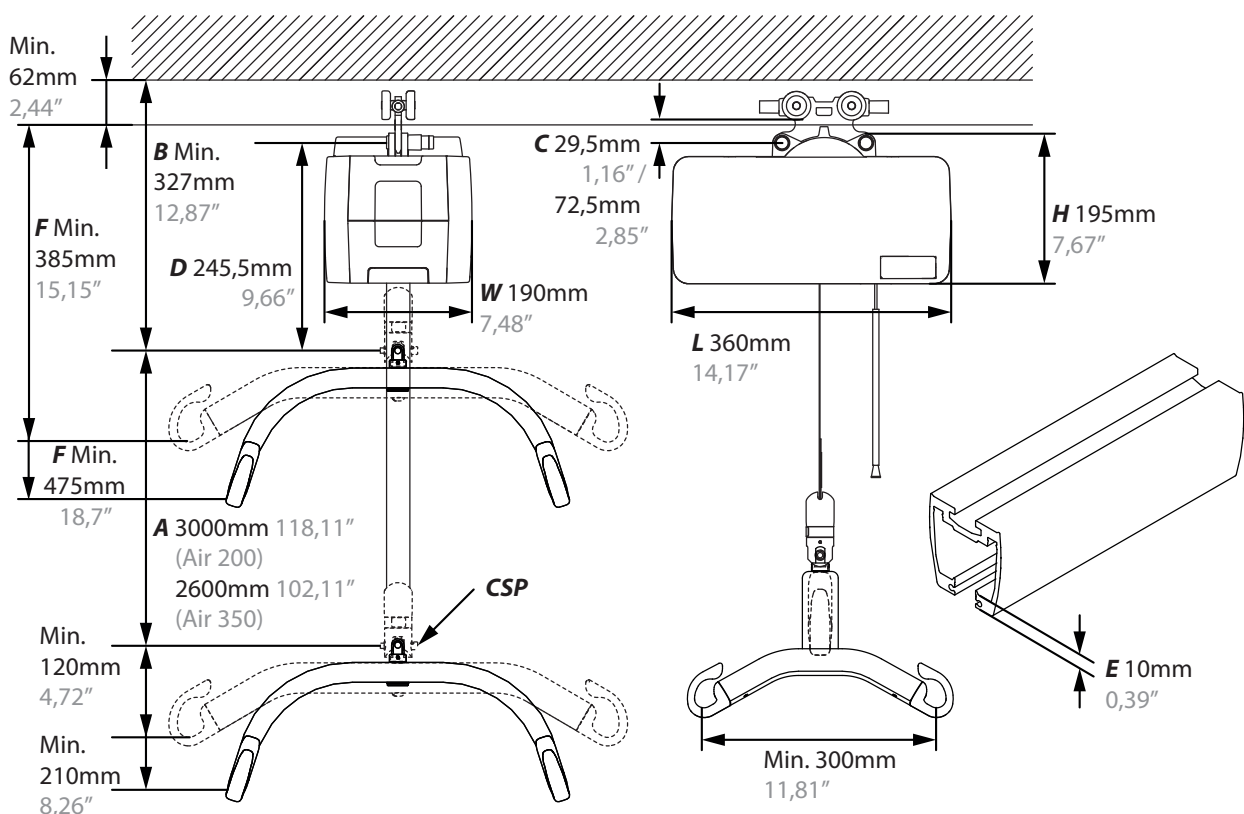
300 cm (118 pulgadas)

Alcance de elevación Air 350:

260 cm (102 pulgadas)

B (distancia mínima del techo al punto de enganche de la percha) 32,7 cm (12,7/8 pulgadas)

Para más información sobre datos técnicos, sobre cómo realizar el mantenimiento y la reparación, consulte el manual técnico.



Instalación

El elevador está marcado con una carga de trabajo segura (CTS), que no debe superar la capacidad de carga máxima de los sistemas de railes.

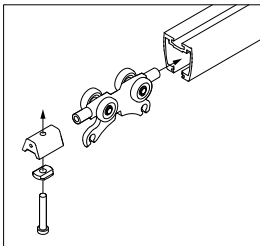


El sistema de railes solamente puede ser instalado por personal certificado en conformidad con las instrucciones de instalación aplicables.



No empiece a utilizar el elevador sin haber realizado la lista de comprobación tras su instalación.

Instalación del carro



Montaje del carro en el sistema de railes. Retire el tope e inserte el carro en el rail. Vuelva a montar el tope y asegúrese de que está fijado de manera segura. Consulte BM3401 para ver los detalles de la instalación. Etac ofrece carros para montar ascensores Molift en sistemas ferroviarios de otros fabricantes. Comuníquese con su representante local de Etac para obtener más información sobre carros compatibles con sistemas ferroviarios de otros fabricantes.

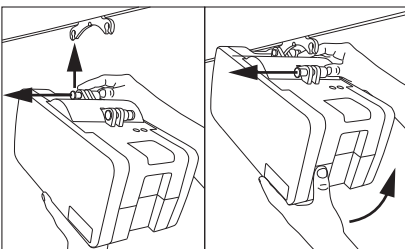


¡Asegúrese de que los topes están instalados en todos los extremos del sistema de railes antes de utilizar el elevador!

Instalación de la grúa

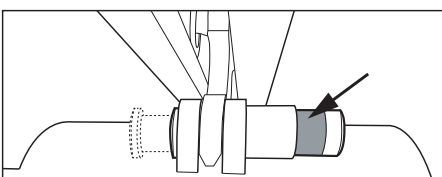


Tenga cuidado cuando el usuario está elevado. ¡Recomendamos la presencia de dos o más instaladores para evitar que se pierda el equilibrio y se produzcan lesiones durante la instalación!



Montaje de la grúa en el carro. No es necesario utilizar herramientas. La grúa tiene dos puntos de conexión.

Conecte primero un punto. Empuje el botón al máximo y coloque la grúa en el punto de conexión del carro. Suelte el botón y asegúrese de que está claramente de color verde antes de conectar el siguiente punto.



Tras la instalación, compruebe que los botones de los dos puntos de conexión están completamente en su sitio y muestran claramente el color verde. El tubo y el cable de bajada de emergencia pueden cortarse para ajustarlos a la longitud (altura) adecuada.

Instalación

Utilice esta lista de comprobación para verificar que el elevador está instalado correctamente y puede funcionar de forma correcta y segura antes de su uso.

- Los topes en el rail deben instalarse tras montar el carro tal y como se describe en BM3401
- Asegúrese de que el elevador se encuentra correctamente fijado al rail y que la grúa no tiene piezas sueltas.
- Realice una elevación con carga (60-80 kg)
- Asegúrese de que la batería está cargada por completo.

Uso de Molift Air

Medidas generales de seguridad

Utilice únicamente accesorios y eslingas que se adapten al usuario, al tipo de discapacidad, al tamaño, al peso y al tipo de traslado.

Relación de pausas y ciclos de trabajo.

Molift Air 200 / 350 no debe estar en funcionamiento constante más de dos minutos seguidos (con carga máxima) y las pausas entre ciclos de trabajo deben ser de un mínimo de 18 minutos. Ciclo de trabajo del 10 %. (intermitencia conforme a la norma ISO-EN 10535)



No coloque el elevador de manera que sea difícil desconectar el cable de alimentación. Para aislar el sistema, retire el cable de alimentación del enchufe eléctrico de pared.



Si la carga máxima (CTS) difiere entre la percha del elevador y la unidad de soporte del cuerpo, deberá usarse siempre la menor carga máxima.



Las grúas de Molift solo deben usarse para elevar usuarios. Nunca utilice la grúa para elevar o desplazar objetos de ningún tipo.

Antes de su uso / comprobación diaria

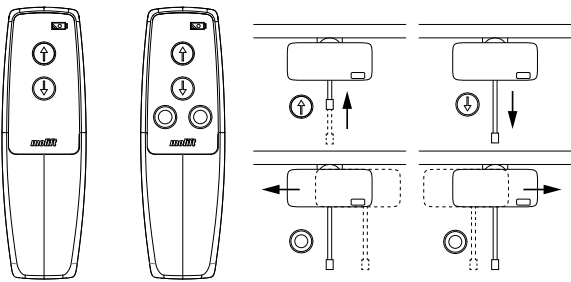
Inspección obligatoria diaria o antes del uso por parte del cuidador:

- Revise que la grúa y el sistema de railes no presentan daños, defectos ni deformaciones visibles.
- Asegúrese de que la conexión de la percha y todas las piezas desmontables están correctamente conectadas y aseguradas.
- Pruebe el botón de parada de emergencia y el descenso de emergencia.
- Asegúrese de que ni el indicador de la batería ni la luz de mantenimiento están iluminados.
- Compruebe que la correa de elevación no presenta daños visibles ni hilachas.
- Pruebe las funciones de elevación y asegúrese de que la grúa no emita sonidos anormales.

Si existiesen fallos o defectos, retire la grúa y márkela como «fuera de servicio». No deben realizarse tareas de reparación o mantenimiento en ninguna de las piezas de Molift mientras se esté usando con el paciente.

Mando

El mando posee dos botones para elevar y descender, o cuatro botones si el elevador está equipado con propulsión. El indicador del mando se encenderá cuando quede poca batería y sea necesario cargarla.

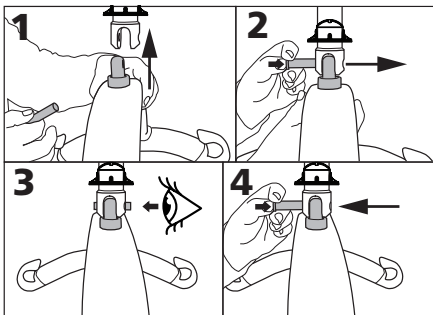


No tire del mando para mover el elevador por el rail.



El elevador no funciona cuando el control manual está conectado al cargador. Desconecte el control manual del cargador antes de operar el elevador.

Percha de montaje

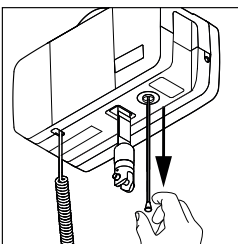


1. Sitúe la percha en el punto de conexión.
2. Empuje el botón del pasador de bloqueo e introdúzcala.
3. Compruebe que el pasador de bloqueo está correctamente fijado.
4. Mantenga pulsado el botón en el pasador de seguridad y tire de él para retirarlo.

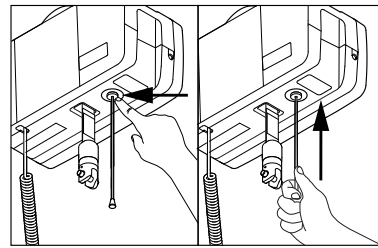
Parada de emergencia / descenso de emergencia

Parada de emergencia

Activación y reinicio de la parada de emergencia:



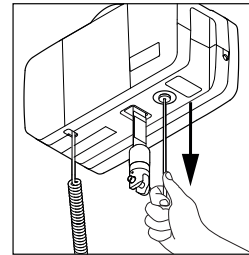
Tire para activar la parada de emergencia. El botón saldrá y el elevador se detendrá.



Empuje con el dedo o utilice el tubo en el cable para empujar el botón hacia atrás y reiniciar la parada de emergencia.

Descenso eléctrico de emergencia

Mantenga pulsado para iniciar el descenso. Manténgalo pulsado hasta que el usuario haya descendido y pueda desengancharse de la percha.



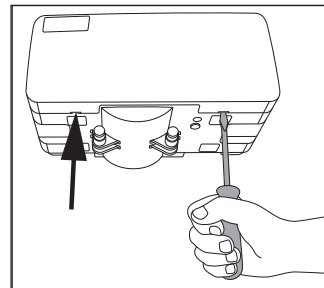
¡Utilícese solo en caso de emergencia cuando el mando no funcione!

Descenso manual de emergencia



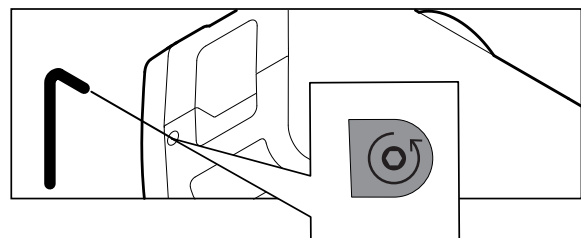
El descenso manual de emergencia solo debe realizarlo el personal de mantenimiento

En el interior de la grúa, encontrará una llave Allen o una broca para taladro. Retire la cubierta para acceder a ella.



Empuje hacia abajo y presione la cubierta hacia fuera con un destornillador plano o una moneda en las dos ranuras para abrir la cubierta.

Localice la etiqueta adhesiva sobre el orificio para el descenso manual de emergencia. Perfore el orificio o elimine la etiqueta adhesiva e introduzca la herramienta. Gire en el sentido contrario a las agujas del reloj para bajar la cinta de elevación. Se recomienda utilizar un taladro.



NO es necesario realizar un mantenimiento si:

- 1) Se utiliza el descenso manual de emergencia del dispositivo Air por un motivo conocido, y

- 2) la cinta no está dañada, y
3) la unidad funciona con normalidad tras el procedimiento de descenso manual de emergencia.

El nuevo freno de seguridad contribuirá a ello haciendo que el descenso manual de emergencia genere menos tensiones en los componentes de la grúa.

Si la unidad ha tenido un fallo por un motivo desconocido y se ha utilizado el sistema de descenso manual de emergencia, es necesario realizar un mantenimiento.

Componentes electrónicos

Transporte y almacenamiento

Para un almacenamiento durante largos periodos, se recomienda dejar activado el botón de parada de emergencia (hacia fuera). La grúa puede almacenarse y transportarse a temperaturas de entre -25 y 70 °C.

Funcionamiento

La grúa está diseñada para utilizarse en habitaciones con temperaturas estándares (de 5 a 40 °C).

Presión del Aire: de 70 a 106 kPa.

Humedad relativa: 15 - 90 %

Tras el almacenamiento o transporte a otras temperaturas, deje la grúa en una habitación con una temperatura adecuada hasta que alcance una temperatura de funcionamiento segura.



Los equipos médicos eléctricos requieren precauciones especiales respecto a la compatibilidad electromagnética (CEM). Los equipos de radiocomunicaciones móviles o portátiles pueden afectar a los equipos médicos eléctricos y deben mantenerse a una distancia mínima de 25 cm (10 in) de los componentes electrónicos de la grúa.

Baterías

Molift Air 200/350 está disponible con dos baterías de 12 V SLA o una batería de 25,6 V LiFePO4.

La batería SLA tiene una vida útil prevista de aprox. 500 ciclos de carga.

La batería LiFePO4 tiene una vida útil prevista de aprox. 2000 ciclos de carga.




Recargue la batería al recibirla y, después, cada seis meses para evitar que se estropee.



Las baterías deben desecharse como residuos especiales de acuerdo con las normativas y leyes locales. No las elimine con residuos comunes. La sustitución de las baterías de litio o de las pilas de combustible por personal sin la debida formación puede suponer un peligro.

Indicador de mantenimiento y batería de la grúa







	Símbolo de llave inglesa / indicador de mantenimiento
	Símbolo de batería / indicador de batería

El sistema eléctrico dispone de una función de ahorro de energía que apagará el sistema eléctrico transcurridos cinco minutos desde la última operación. Todos los indicadores se apagarán.

El sistema se activa al pulsar uno de los botones del mando.

Indicador de la batería del elevador

Cuando el indicador de batería multinivel esté en amarillo, la grúa tendrá la energía suficiente para realizar al menos un ciclo de elevación completo con carga máxima. Cuando la batería parpadee en color amarillo, solamente será posible bajar la percha.

Indicador de la batería	Nivel de batería	
	Verde	80 % o más
	Verde	80 - 60 %
	Verde	60 - 40 %
	Verde	40 - 20 %
	Amarillo	20 - 0 %
	Amarillo intermitente	15 - 0 %

Indicador de mantenimiento / inspección periódica

Los componentes electrónicos de la grúa registran el peso levantado y el número de elevaciones. Tras un determinado periodo de uso, se emite una señal para indicar que el equipo requiere mantenimiento.

Indicador de mantenimiento	Modo
Sin luz	No necesita mantenimiento
Amarillo	Inspección periódica necesaria
Verde intermitente	Solicitar mantenimiento
Rojo	Realizar mantenimiento

Alcance del mantenimiento

Cuando se hayan realizado varias ascensiones (5000 ascensiones con el peso máximo permitido [SWL]), el indicador de servicio se iluminará en rojo.

A continuación, el personal autorizado debe realizar un mantenimiento, incluida la inspección y sustitución de las piezas desgastadas.

Póngase en contacto con Etac o con su distribuidor local, o visite etac.com para encontrar un socio de servicio autorizado.

Carga

Molift Air se puede cargar a través del mando con un cargador de baterías o a través del raíl con el In Rail Charging (sistema de carga dentro del raíl).

Indicador del cargador e indicador de la fuente de alimentación

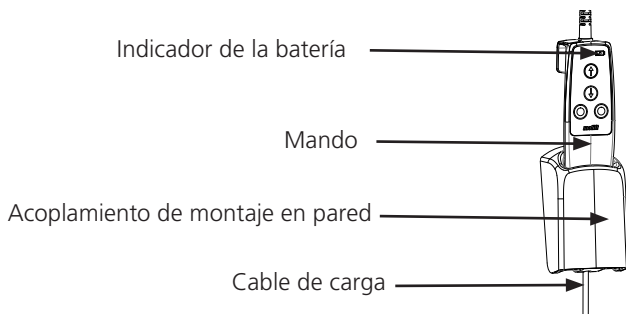
Indicador del cargador	Modo
Verde intermitente	No conectado al elevador
Amarillo	Carga
Amarillo intermitente	Máximo de carga
Verde	Carga completa

Indicador de fuente de alimentación	Modo
Azul	Conectado a una toma eléctrica

Carga mediante mando

El cargador de baterías se enchufa a una toma eléctrica. Hay disponible un acoplamiento de montaje en pared para el mando. Asegúrese de no dañar el cable. El cargador se puede conectar a la toma eléctrica en cualquier momento. Utilice únicamente cargadores Molift. El indicador del mando se encenderá cuando quede poca batería y sea necesario cargarla.

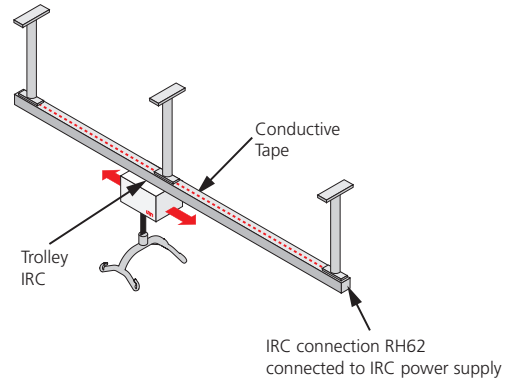
Cargador para el mando de Molift Air: N.º de ref.: 2540100



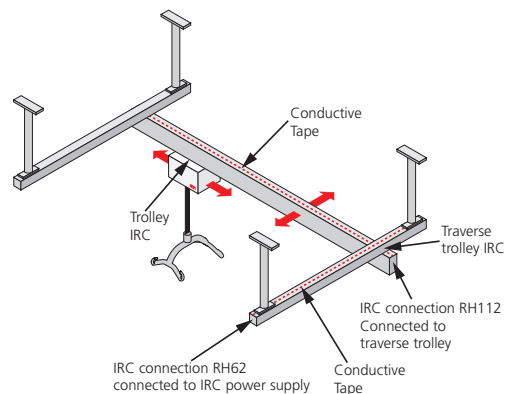
IRC (In Rail Charging) - carga dentro del raíl

La grúa se carga a través de un cargador integrado en el motor de elevación para la carga continua a lo largo de todo el sistema de raíles.

El sistema IRC de Molift Air dispone de un cargador integrado conectado a la batería que debe estar instalado con el carro del IRC en un sistema de raíles con una cinta conductora. El carro del IRC está conectado al cargador de baterías dentro del sistema IRC de Molift Air. El carro del IRC siempre está en contacto con la cinta conductora dentro del raíl. El suministro eléctrico del IRC está conectado a la cinta conductora mediante la conexión del IRC al final del raíl y suministra electricidad al cargador de batería dentro del sistema IRC de Molift Air.



El IRC se adapta tanto al sistema de raíl individual como al sistema de raíl transversal.



Fuente de alimentación de IRC

N.º de ref.: 2510119

Cargador 3844 CC/CC (pieza del IRC de Molift Air)

N.º de ref.: 2640101

Traslado

Planifique la elevación con antelación para asegurarse de que ocurra de la forma más segura y fluida posible. Recuerde trabajar de manera ergonómica. Evalúe los riesgos y tome nota de ellos. El asistente es responsable de la seguridad del usuario.

Molift Air puede usarse en perchas con 2 o 4 puntos de anclaje para diferentes tipos de traslados: sentado, recostado o en posición erguida.

Uso de las eslingas

Es importante que la eslinga se haya probado con el usuario y para la situación de elevación prevista.



Lea el manual de usuario de la eslinga antes de usarla.



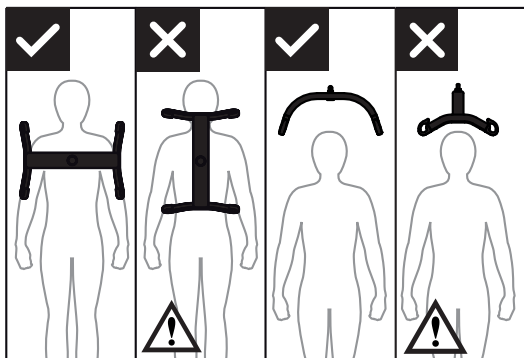
No utilice eslingas dañadas o muy desgastadas.

Eslingas de otros fabricantes

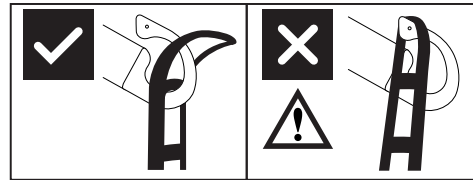
Recomendamos utilizar eslingas Etac o Molift. El polipasto se puede combinar con eslingas de otros fabricantes con lazos de suspensión similares. Visite www.etac.com para obtener declaraciones de compatibilidad entre elevadores y eslingas de otros fabricantes. Tenga en cuenta que la persona física o jurídica que utiliza dispositivos compatibles con el marcado CE de diferentes proveedores es responsable de la actividad. Por lo tanto, Etac no se hace responsable de ningún incidente.

Elevación y descenso

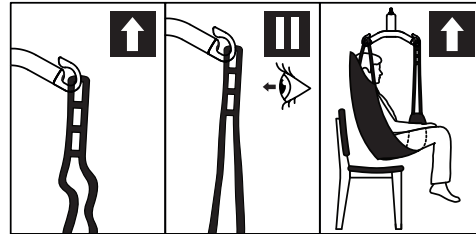
Al trasladar al usuario, colóquese a su lado. Compruebe que las extremidades no obstruyan el asiento, la cama, etc. Mantenga contacto visual con el usuario para que se sienta seguro.



La percha de 4 puntos debe colocarse siempre cruzada sobre el usuario para evitar que este se salga accidentalmente de la eslinga.



El diseño de los ganchos de la percha evita que la eslinga se desate involuntariamente cuando esté correctamente montada.



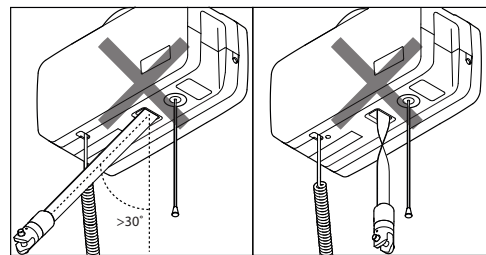
1. Compruebe que la eslinga está correctamente colocada alrededor del usuario y que los lazos de las correas están correctamente colocados en los ganchos de la percha.
2. Estire las correas de la eslinga sin elevar al usuario. Asegúrese de que los cuatro lazos de la eslinga están correctamente fijados para que el usuario no se pueda deslizar ni caer.
3. Eleve al usuario y realice el traslado.



No utilice la parada de emergencia para apagar la grúa, excepto en caso de emergencia. La grúa se apaga (en espera) automáticamente después de 5 minutos de inactividad.

Sensor de ángulo

El elevador cuenta con una opción de seguridad direccional que impide la elevación si el ángulo de la correa de elevación es demasiado inclinado.



Si el elevador no responde al botón «arriba» del mando, puede que se deba a que el ángulo de la correa de elevación es demasiado inclinado o a que la cinta de elevación está doblada y el sensor está activado.

Accesorios

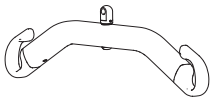
Enchufes y cables del cargador.

- Adaptador de conexión para la UE, n.º de ref. 2510365
- Adaptador de conexión para el Reino Unido, n.º de ref. 2510366
- Adaptador de conexión para EE. UU., n.º de ref. 2510367
- Adaptador de conexión para Australia, n.º de ref. 2510368
- Cable para la UE, n.º de ref. 1140105
- Cable para el Reino Unido, n.º de ref. 1140106
- Cable para EE. UU., n.º de ref. 1140104
- Cable para Australia, n.º de ref. 1140107
- Soporte de pared para el cargador, n.º de ref. 2610123

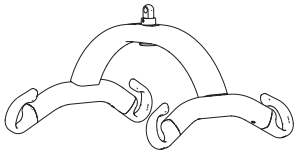
Perchas

Molift Air puede utilizarse con perchas de 2 o 4 puntos de anclaje.

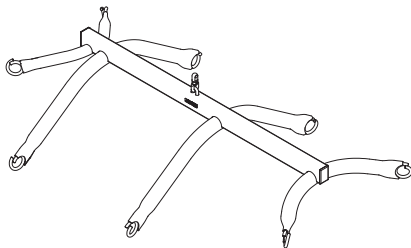
Percha de aluminio



- 2 puntos de anclaje, pequeña, aluminio, 350 mm,
N.º de ref.: 2530115
- 2 puntos de anclaje, mediana, aluminio, 450 mm,
N.º de ref.: 2530120
- 2 puntos de anclaje, grande, aluminio, 550 mm,
N.º de ref.: 2530125



- 4 puntos de anclaje, pequeña, aluminio, 350 mm,
N.º de ref.: 2530210
- 4 puntos de anclaje, mediana, aluminio, 450 mm,
N.º de ref.: 2530211
- 4 puntos de anclaje, grande, aluminio, 550 mm,
N.º de ref.: 2530212
- 4 puntos de anclaje, extragrande, aluminio, 650 mm,
N.º de ref.: 2530213



- Percha de 8 puntos para camilla, acero
N.º de ref.: 2140003

Báscula

Set de báscula Molift (sin percha)

N.º de ref.: 1840000

Puede combinarse con todas las perchas Molift Air compatibles. La báscula es un equipo aprobado de clase III. Se puede utilizar para calcular el IMC (índice de masa corporal) con solo tocar un botón. Consulte el manual suministrado con la báscula antes de utilizarla.

Eslingas

Etac ofrece una amplia gama de eslingas para diferentes tipos de traslados. La eslinga Molift RgoSling se ha desarrollado para combinarse con un percha de 4 puntos con conexiones de bucle. Las eslingas también funcionan con una percha de 2 puntos. Consulte la lista de combinaciones en el manual de usuario de la eslinga para ver la combinación correcta de eslinga y percha. La serie Molift RgoSling está disponible en los tamaños XXS-XXL, en poliéster y malla de poliéster. En www.etac.com se puede encontrar la lista completa de eslingas y perchas.

- Molift Rgosling Mediumback Padded (XS-XXL)
- Molift Rgosling Highback Padded (XS-XXL)
- Molift Rgosling Mediumback Net (XXS-XXL)
- Molift Rgosling Highback Net (XXS-XXL)
- Molift Rgosling Toilet Lowback (XXS-XXL)
- Molift Rgosling Toilet Highback (XXS-XXL)
- Molift Rgosling Ampu Mediumback (XXS-XXL)
- Molift Rgosling Ampu Highback (XXS-XXL)
- Molift Rgosling Ambulating Vest
- Molift Rgosling Comfort Highback (S-L)
- Molift RgoSling Fabric Stretcher
- Molift RgoSling Repositioning

Tillbehör:

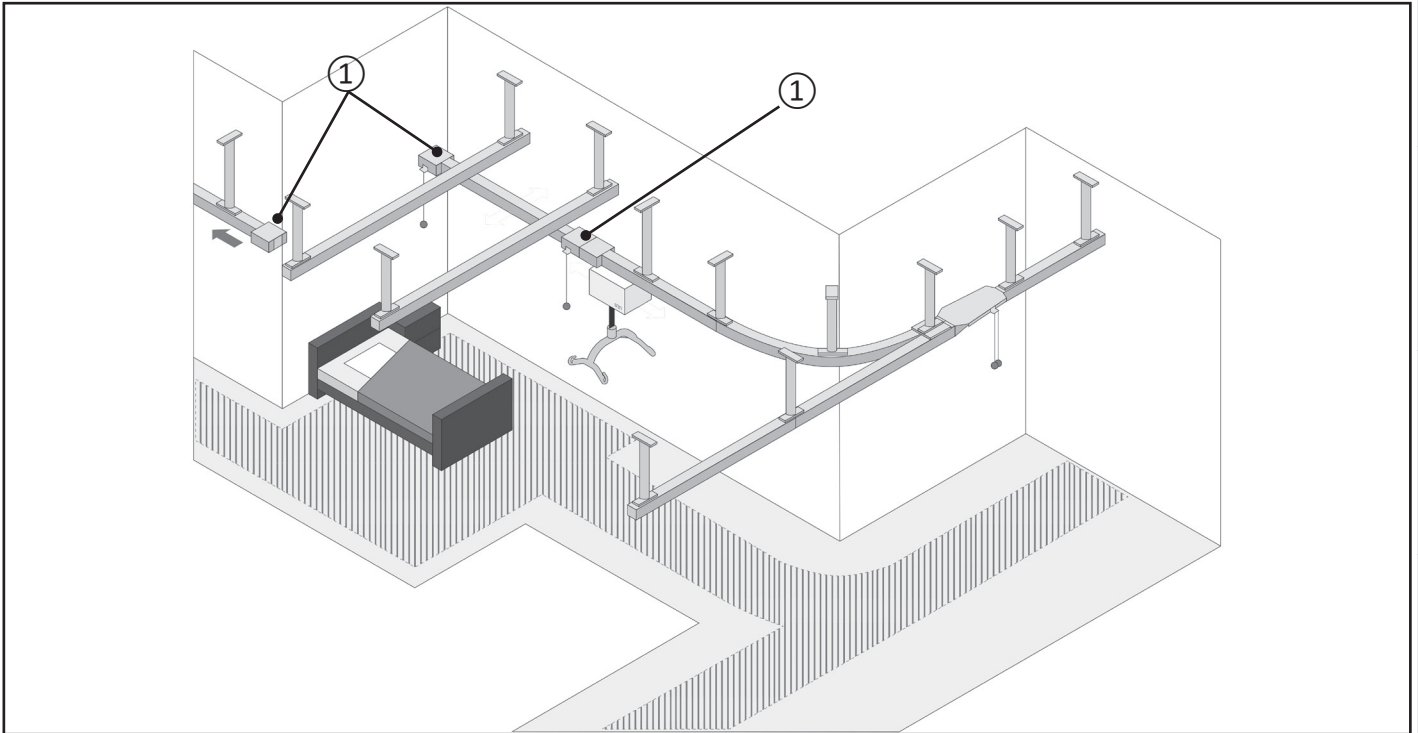
Molift Rgosling Extension Loops

Art.nr.: 1721600

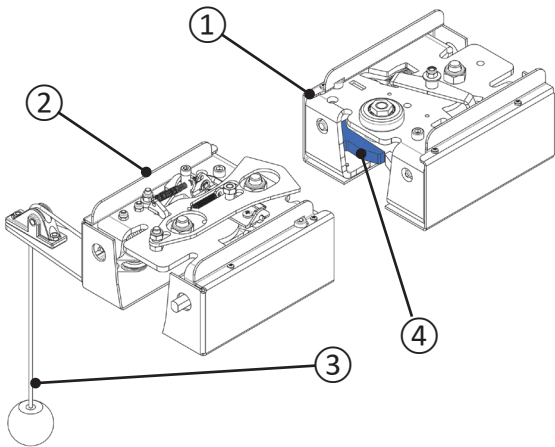
Molift Rgosling Ambulating Vest Groin strap (XXS-XL)

Acoplamiento de transición

Algunos sistemas de rieles tienen acoplamientos de transición ① instalados. Se utilizan para transferir al usuario de un sistema de rieles a otro, por ejemplo, entre dos habitaciones diferentes.

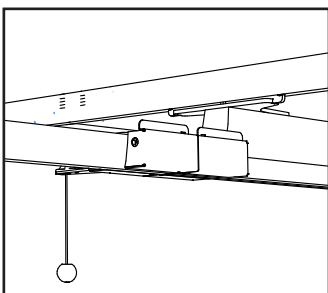


Componentes

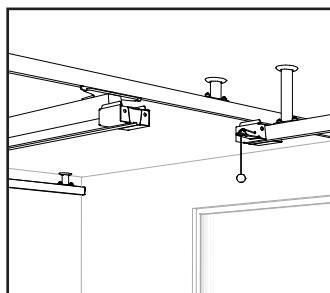


- ① Unidad de acoplamiento de transición
- ② Unidad de acoplamiento de transición con polea
- ③ Polea con pomo
- ④ Puerta (dos unidades por unidad)

Estados



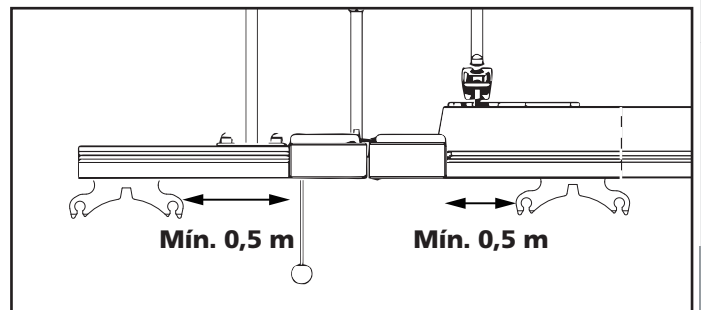
Conectado



Desconectado

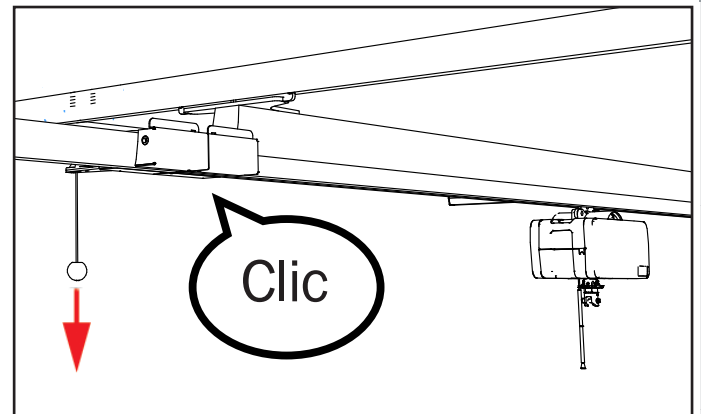
Desconectar

Antes de desconectar el acoplamiento de transición, asegúrese de que el carro esté como mínimo a 0,5 m de la unidad de acoplamiento de transición.



Tire de la polea hacia abajo hasta el tope.

Escuchará un sonido que confirma la desconexión.

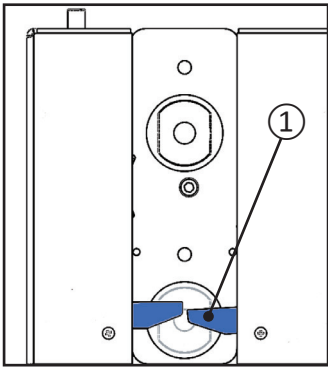


El acoplamiento de transición está ahora desconectado.

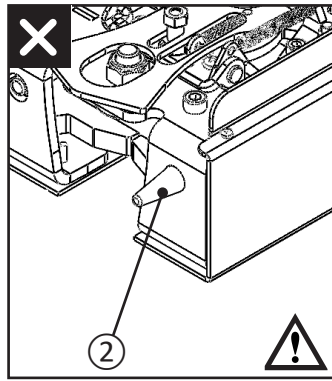
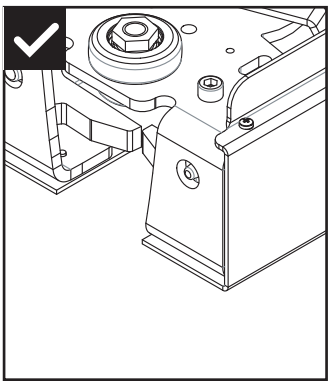
Transferencia - acoplamiento de transición desconectado

No realice ninguna transferencia de usuario antes de haber comprobado lo siguiente:

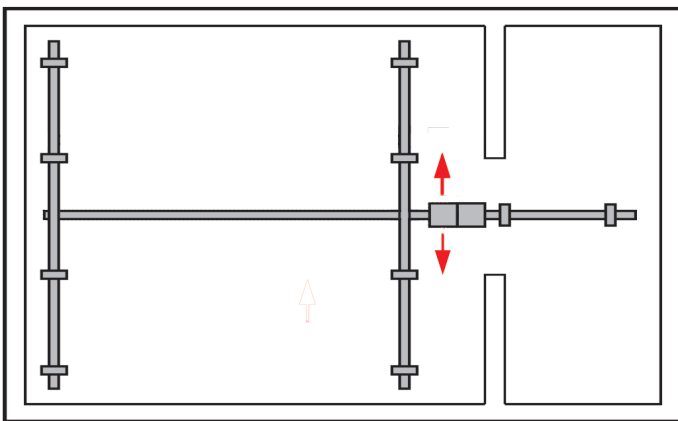
Ambas puertas ① son visibles (unidad de acoplamiento de transición vista desde abajo).



El perno de bloqueo ② **no** debe ser visible cuando se desconecta el acoplamiento.

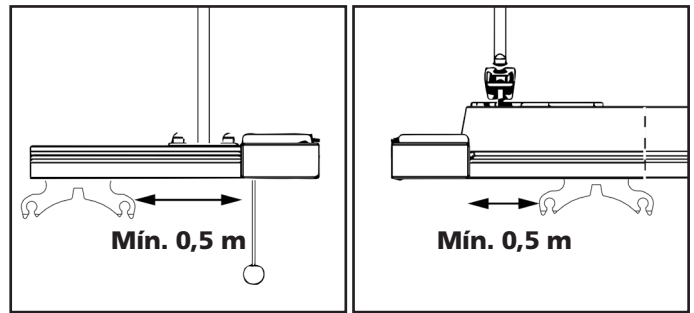


Empuje el raíl transversal en la dirección deseada.

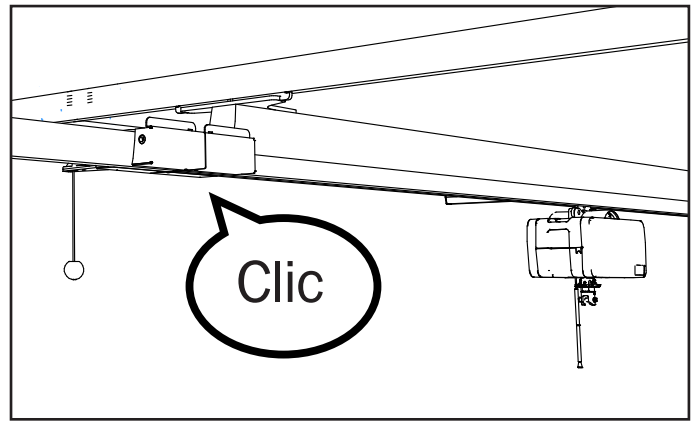


Conectar

Antes de conectar las unidades de acoplamiento de transición, asegúrese de que el carro esté como mínimo a 0,5 m de la unidad de acoplamiento de transición.



Empuje el raíl transversal hacia el raíl fijo, de modo que las unidades de acoplamiento de transición se conecten, y oiga un sonido.



Transferencia - acoplamiento de transición conectado

No realice ninguna transferencia de usuario antes de haber comprobado que las unidades de acoplamiento de transición están completamente bloqueadas entre sí. Debe ser imposible separar los rieles con la mano. Ahora se puede transferir al usuario de un raíl a otro.

Limpieza / desinfección

Limpie el producto con regularidad. Limpie las superficies con un paño húmedo utilizando un detergente con pH neutro adecuado. No utilice disolventes ni líquidos fuertes, podría dañar las superficies de la grúa. Cuando sea necesario desinfectar, utilice alcohol isopropílico. Evite utilizar productos de limpieza abrasivos. Compruebe la parada y el descenso de emergencia después de la limpieza. No debe exponer la grúa a agua corriente. Al instalar en ambientes con riesgo de humedad, es importante que el sistema de rieles y el motor se laven y sequen periódicamente. Una guía completa para reducir el riesgo de corrosión está disponible a pedido.



Asegúrese de que las etiquetas no se hayan dañado ni eliminado con la limpieza.



El elevador y el mando tienen una clase de protección IP24 que indica: >12,5 mm de protección frente al acceso a partes peligrosas, y que la caída del agua en forma pulverizada desde cualquier ángulo superior a 60° desde la vertical no daña el equipo,



El cuidador y el paciente están expuestos a los siguientes materiales: El polipropileno y el poliéster (eslingas*), policarbonato/ABS (mando y cubierta del elevador), aluminio recubierto de pintura, zinc con revestimiento de polvo (perchas).
* = Piezas aplicadas



En casos poco frecuentes el cuidador o el paciente expuestos a polipropileno y poliéster pueden tener reacciones alérgicas como irritación cutánea, picazón y sensibilidad cutánea.

Ajustes

Tras la limpieza y el procedimiento de instalación, realice una inspección periódica y utilice la lista de comprobación tras la instalación para reajustar la grúa.

Reciclaje

Consulte las «Instrucciones de reciclaje» para saber cómo desechar correctamente el producto. Están disponibles en www.etac.com.

Piezas de recambio

Puede solicitar una lista de piezas de recambio.

Alcance de la inspección periódica

La inspección periódica consiste en un examen visual (especialmente de la estructura de carga de la grúa y el mecanismo de elevación con accesorios, frenos, controles, dispositivos de seguridad y dispositivos de soporte de personas), de acuerdo con el informe de inspección periódica de la grúa Molift Air 200 y 350.

Visite www.etac.com.



La grúa deberá dejarse de utilizar inmediatamente y señalarse como «fuera de servicio» si surge cualquier problema con ella que pueda poner en peligro la seguridad de alguien. No utilice la grúa hasta que esté reparada. Póngase en contacto con el proveedor / distribuidor local de Molift / Etac para informar de cualquier problema.

La inspección periódica debe realizarse una vez al año o con más frecuencia si así lo requieren las normativas locales. La inspección debe realizarla personal de mantenimiento autorizado por Etac. Puede ponerse en contacto con Etac a través de molift@etac.com para obtener formación y autorización o recomendaciones sobre los socios de mantenimiento aprobados.

Al llevar a cabo la inspección periódica, el inspector deberá rellenar el informe de inspección del Molift Air. La persona o las personas responsables del mantenimiento de la grúa deberán conservar los informes. Si la inspección revela defectos y daños, habrá que retirar la grúa y marcarla como «fuera de servicio» hasta que se repare.

Solución de problemas

Problema	Causas / acciones posibles
La grúa no responde al mando	La parada de emergencia está activada. Desactívala empujando el botón hacia adentro.
	Los componentes electrónicos de la grúa se han sobrecalentado. Espere a que se enfríen.
	El mando no está enchufado correctamente. El mando, el enchufe o el cable pueden estar rotos y debe sustituirlos.
La grúa no responde al botón «arriba» del mando	El sensor de ángulo de la correa de elevación está activado. Ajuste la correa de elevación o mueva el elevador para reducir el ángulo de la correa de elevación.
Al utilizar el descenso eléctrico de emergencia, la banda de elevación asciende	La banda de elevación ha salido por completo y se ha enrollado en la dirección equivocada. Utilice el descenso manual de emergencia.

Belangrijk

In deze handleiding staan belangrijke veiligheidsinstructies en informatie over het gebruik van de sling en de accessoires. In deze handleiding is de cliënt de persoon die wordt getild. De zorgverlener is de persoon die de lift bedient.



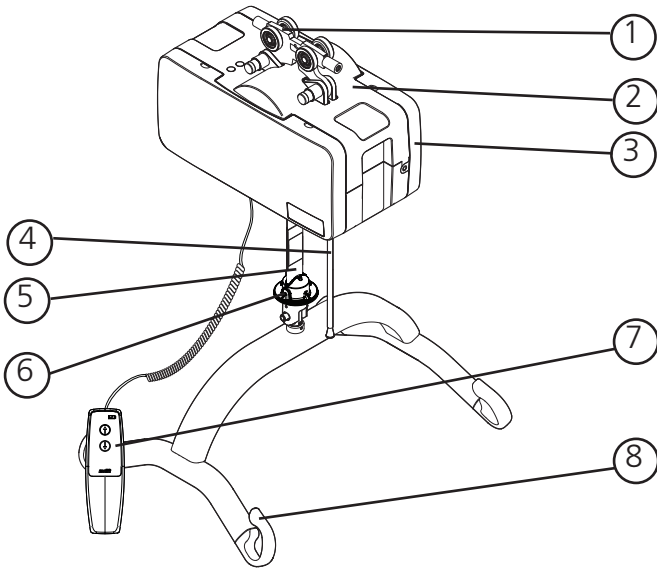
Dit symbool geeft belangrijke informatie over de veiligheid aan. Volg deze instructies zorgvuldig.



Lees de gebruikershandleiding vóór gebruik! Het is belangrijk dat u de inhoud van de gebruikershandleiding volledig hebt begrepen voordat u de apparatuur gebruikt.

Op www.etac.com kunt u de laatste versie van de documentatie downloaden.

Molift Air 200/350



Onderdelen van de tilvoorziening:

1. Kraankat
2. Tilvoorziening
3. Zijkappen
4. Noodstop/nooddaling
5. Tilband
6. Snelontgrendelpen
7. Handbediening
8. Tiljuk

Over Molift Air

De Molift Air is een sterke, soepel werkende plafondlift waarmee patiënten en bewoners van zorginstellingen comfortabel en veilig kunnen worden verplaatst. Deze lift is geschikt voor zittende en zijdelingse transfers en bij staande en looptrainingssituaties, samen met het uitgebreide accessoiresprogramma van Molift. De Molift Air heeft een zeer lichte motor, die in combinatie met het snelontgrendelsysteem eenvoudig kan worden gemonteerd en onderhouden.

Algemeen



CE-verklaring

Het product en de bijbehorende accessoires die in deze gebruiksaanwijzing worden beschreven, voldoen aan Verordening (EU) 2017/745 van 5 april 2017 – als medisch hulpmiddel, risicoklasse I.

Het product is getest en goedgekeurd door een externe instantie overeenkomstig de normen IEC 60601-1, IEC 60601-1-2 en EN/ISO 10535:2021.

Elk ernstig incident dat zich voordoet in verband met het hulpmiddel moet worden gemeld aan de fabrikant en de bevoegde autoriteit van de lidstaat waar de gebruiker en/of patiënt is gevestigd.

Gebruiksvoorwaarden

Het tillen en verplaatsen van een cliënt houdt altijd een bepaald risico in. Daarom mogen de in deze gebruikershandleiding vermelde apparatuur en accessoires uitsluitend door goed opgeleid personeel worden gebruikt. Het railsysteem moet door gecertificeerd personeel worden geïnstalleerd, in overeenstemming met de juiste installatie-instructies. De lift is niet bedoeld voor gebruik door de cliënt die wordt getild.

Aanpassingen en gebruik van onderdelen van andere fabrikanten.

We raden u aan om uitsluitend Molift-onderdelen en -reserveonderdelen te gebruiken. Als er aanpassingen aan het product worden uitgevoerd, vervalt de conformiteitsverklaring en kunnen er geen garantieclaims bij Etac worden ingediend. Etac is niet aansprakelijk voor fouten of ongevallen door het gebruik van onderdelen van andere fabrikanten. Het kan onveilig zijn om accessoires, afneembare onderdelen en materialen te gebruiken die niet in deze gebruikershandleiding worden genoemd.



Alleen gecertificeerd personeel mag de tilvoorziening of de accessoires openen om onderhoud of reparaties uit te voeren. Er is kans op letsel door draaiende onderdelen en elektrische schokken.



Garantieverklaring

Wij bieden op onze producten een garantie van twee jaar tegen materiaal- en fabricagefouten. Eén jaar garantie op de batterijen. Ga naar www.etac.com voor de voorwaarden.

Definities

De persoon die in deze 'gebruikershandleiding' als 'de gebruiker' wordt aangeduid, is de persoon die op het product zit. 'De verzorger' is de persoon die het product manoeuvreert.

Beoogd doel

Te gebruiken voor het tillen en verplaatsen van gebruikers die ondersteuning nodig hebben bij het tillen of verplaatsen binnen een railsysteem, bv. naar/vanaf een bed, de vloer, een rolstoel, een douchestoel, een toilet of iets dergelijks. Ook voor looptraining in combinatie met het Ambulating Vest.

Beoogde doelgroep

Wordt gebruikt voor gebruikers die ondersteuning nodig hebben bij het tillen en verplaatsen of tijdens looptraining, bv. personen met beperkte mobiliteit die tijdens transfers ondersteuning van het lichaam nodig hebben. Dit is geen complete lijst.

Beoogde omgeving

Voor gebruik binnenshuis in een railsysteem in de acute zorg, langdurige zorg en thuiszorg.

Indicaties

Het hulpmiddel kan worden gebruikt voor kinderen, volwassenen en ouderen die ondersteuning nodig hebben bij het tillen en verplaatsen, of bij de looptraining, binnen een railsysteem. De doelgroep voor het hulpmiddel is gebaseerd op de individuele gezondheid en mobiliteit, en niet op een specifieke diagnose of leeftijd.

Contra-indicaties

Er zijn geen contra-indicaties bekend met betrekking tot de lift, maar zorg ervoor dat de hijsband goed bij de gebruiker past.

Waarschuwingslabels en symbolen

Toelichting op de symbolen die op het product worden gebruikt:



Klasse II dubbel geïsoleerd



CE-markering



Zie de gebruikershandleiding



Alleen voor gebruik binnenshuis



Max gebruikersgewicht



Niet weggooien bij huishoudelijk afval



Noodstop/
nooddaling



Servicelampje



Acculampje



Symbol zeskant voor handbediende nooddaling



Markering certificeringsinstantie



Beperking van de luchtvochtigheid



Beperking van de atmosferische druk



Temperatuurbepmerking



Fabrikant



Productiedatum



Catalogusnummer



Serienummer

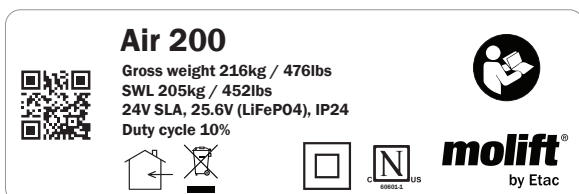


Medisch hulpmiddel

Productidentificatie

Productlabel

In de streepjescode van het product staan het artikelnummer, het serienummer en de productiedatum.



EN
DE
NO
SV
FI
IT
FR
ES
NL
DA
CZ

Technische gegevens

Veilige werkbelasting (VWB)

Molift Air 200: VWB = 205 kg (450 lbs)
 Optioneel VWB-bereik (instelling) 160-205 kg
 Molift Air 350: VWB = 350 kg (771 lbs)
 Optioneel VWB-bereik (instelling) 160-350 kg
Gewicht van eenheid:

Onderstel incl. accu, excl. tiljuk:
 8,56 kg (18,87 lbs)

Medium 4-punts tiljuk: 2,2 kg/4,8 lbs

Accu:

Art: 2920204 25,6 V LiFePO4 2,4 Ah

Art: 2920007 12 V SLA 2,9 Ah

Acculader:

Oplader voor handbediening, Mascot - type 3743

Art.nr.: 2540100

100-240 V AC, 50-60 Hz max 0,5 A

Stroomsterkte 0,9 A

IRC-voeding, Mascot - type 3721

Art.nr.: 2610119

Input: 100-240 VAC, 50-60 Hz max 1,0A

Output: 24 VDC 1,75A/42W

IRC-oplader, Mascot - type 3844

Art.nr.: 2640200

In: 20-30VDC 1,3 A

Stroomsterkte 0,5A

Tilsnelheid

60 mm/sec. (2,36 inch/sec.)

met een belasting van 75 kg (165,35 lbs)

Snelheid aandrijfsysteem

0,2 m/seconde (7,87 inch/seconde)

Beschermingsklasse

Handbediening IP24

Liftmotor IP24

Sound pressure

52 dBA

Sound power (L_{WA})

63 dB

Kracht op knop

Knoppen op handbediening: 3,4 N

Materiaal:

Aluminium, plastic, staal

Verwachte levensduur:

de tilvoorziening heeft een verwachte levensduur van 30.000 cycli VWB of 10 jaar.

Afmetingen:

L x B x H (lengte, breedte, hoogte zonder kraankat)

36 x 19 x 19,5 cm

(14,2 x 7,5 x 7,7 inch)

A Air 200 tilbereik:

300 cm (118 inch)

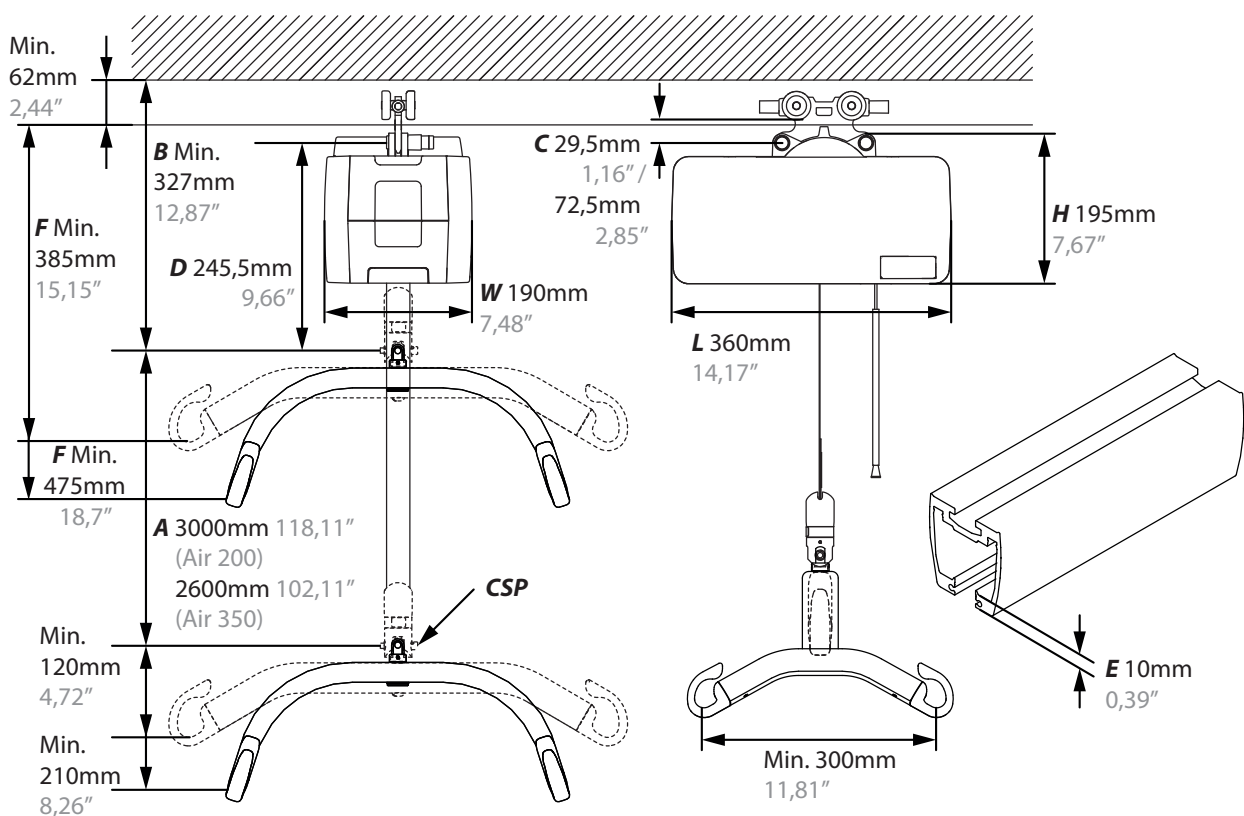
Air 350 tilbereik:

260 cm (102 inch)

B (Minimale afstand van het plafond tot het

koppelpunt van de tiljukstang) 32,7 cm (12.7/8 inch)

Voor uitgebreide informatie over de technische gegevens, de uitvoering van service en reparatie, zie de technische handleiding.



Installatie

Op de tilvoorziening wordt een Veilige werkbelasting (VWB) aangegeven. Deze mag de maximale belastingscapaciteit van het railsysteem niet overschrijden.

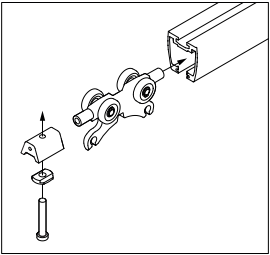


Het railsysteem mag alleen door gecertificeerd personeel worden geïnstalleerd, in overeenstemming met de juiste installatie-instructies.



Voer na de installatie altijd eerst een volledige controle aan de hand van de controlelijst uit voordat u de tilvoorziening gebruikt.

De kraankat installeren



De kraankat in het railsysteem monteren. Verwijder de aanslag en plaats de kraankat in de rail. Monteer de aanslag en zorg dat deze stevig is bevestigd. Zie BM3401 voor informatie over de installatie. Etac biedt kraankat aan voor montage van de liften van Molift in railsystemen van andere fabrikanten. Neem contact op met uw plaatselijke Etac-vertegenwoordiger voor meer informatie over wagens die compatibel zijn met railsystemen van andere fabrikanten.

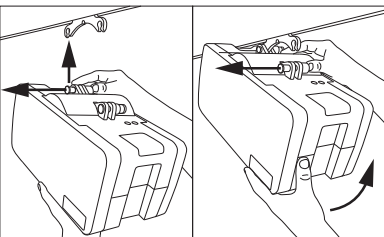


Zorg ervoor dat er in alle uiteinden van het railsysteem aanslagen worden gemonteerd voordat u de tilvoorziening gebruikt!

De lift installeren

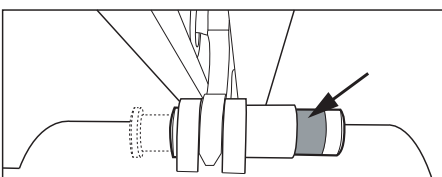


Wees voorzichtig bij werksituaties boven het hoofd. We raden twee of meer installateurs aan om te voorkomen dat tijdens de installatie het evenwicht wordt verloren en er ietsel wordt opgelopen!



De lift op de kraankat monteren. U hebt hierbij geen gereedschap nodig. De lift heeft twee aansluitpunten:

Sluit eerst één punt aan. Druk de knop helemaal in en plaats de lift in het aansluitpunt op de kraankat. Laat de knop los en zorg dat deze duidelijk groen is voordat u het volgende punt aansluit.



Zorg dat beide knoppen voor het aansluitpunt weer helemaal in de oorspronkelijke positie staan en duidelijk groen zijn na de installatie. Het koord en de buis voor de daalfunctie in noodgevalen kunnen op de juiste lengte (hoogte) worden ingesteld door de buis en het koord af te snijden.

Installatie

Gebruik deze controlelijst om te controleren of de tilvoorziening goed is geïnstalleerd en veilig werkt voordat u de voorziening gaat gebruiken.

- Aanslagen worden na het monteren van de kraankat in de rail bevestigd zoals beschreven in BM3401
- Zorg dat de tilvoorziening goed in de rail is bevestigd en dat alle onderdelen van de lift goed zijn bevestigd.
- Gebruik de lift om een belasting op te tillen (60-80 kg).
- Zorg ervoor dat de accu volledig is opgeladen.

Hoe gebruikt u de Molift Air?

Algemene veiligheidsmaatregelen

Gebruik alleen accessoires en slings die aan de cliënt, diens handicap, lengte en gewicht, en het type transfer zijn aangepast.

Verhouding werking/onderbreking - werkcyclus.

De Molift Air 200 / 350 mag niet langer dan 2 minuten (bij maximale belasting) continu draaien en minimaal 18 minuten rusten. Gebruiks-cyclus 10%. (Periodiciteit volgens standaard ISO-EN 10535)



Plaats de laadlift niet op een manier die het moeilijk maakt om de voedingskabel los te maken. Om het systeem spanningsvrij te maken trekt u de voedingskabel uit het stopcontact.



Als de maximale belasting (VWB) van het tiljuk van de lift en de ondersteuningseenheid voor het lichaam niet hetzelfde zijn, dan moet altijd de laagste maximale belasting worden aangehouden



Liften van Molift mogen uitsluitend worden gebruikt voor het optillen van cliënten. Gebruik de lift nooit om voorwerpen op te tillen of te verplaatsen.

Vóór gebruik / dagelijkse controle

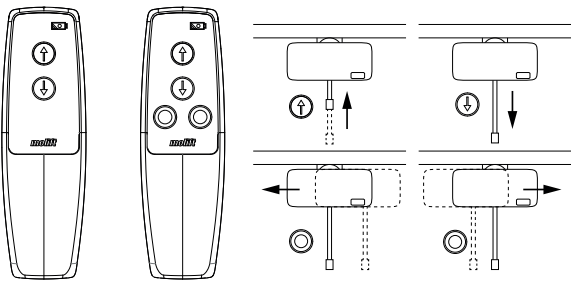
Controles die dagelijks of vóór elk gebruik moeten worden uitgevoerd door de zorgverlener:

- Controleer of de lift en het railsysteem geen zichtbare schade, defecten of vervormingen vertonen.
- Zorg ervoor dat de aansluiting van het tiljuk en alle afneembare onderdelen goed zijn aangesloten en bevestigd
- Test de noodstopknop en de nooddaalfunctie.
- Controleer of het controlelampje voor de accu of het service-lampje niet brandt
- Controleer of de tilband geen duidelijk zichtbare schade of rafels vertoont.
- Test de functies van de lift en controleer of de lift geen abnormale geluiden maakt.

Als er fouten of gebreken zijn, moet de lift buiten bedrijf gesteld worden en worden voorzien van een label "buiten werking". Er mogen geen onderdelen van de Molift Air worden onderhouden of gerepareerd terwijl deze in gebruik zijn bij een patiënt.

Handbediening

De handbediening heeft 2 knoppen voor het tillen en dalen of 4 knoppen als de tilvoorziening is voorzien van een aandrijving. De handbediening heeft een controlelampje dat gaat branden als de accu bijna leeg is en de lift moet worden opgeladen

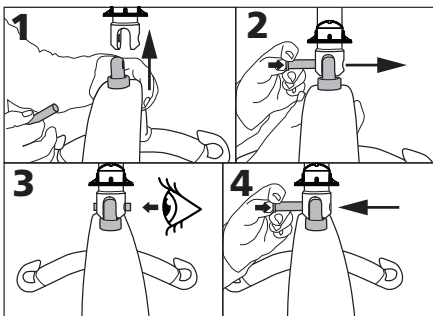


Trek niet aan de handbediening om de tilvoorziening langs de rail te verplaatsen.



De lift werkt niet als de handbediening op een oplader is aangesloten. Koppel de handbediening los van de oplader voordat u de lift bedient.

Montage van het tiljuk

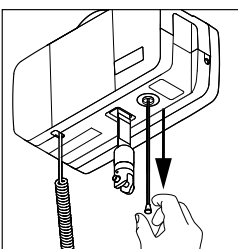


1. Lijn het tiljuk uit met het aansluitpunt.
2. Druk op de knop op de vergrendelpen en steek deze helemaal naar binnen.
3. Zorg ervoor dat de vergrendelpen stevig is vastgezet
4. Druk op de knop op de vergrendelpen en houd deze ingedrukt, en trek om de vergrendelpen te verwijderen.

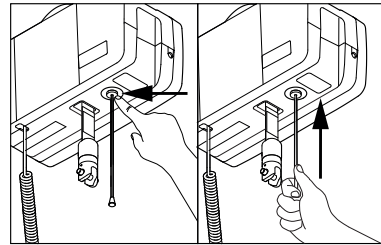
Noodstop/nooddaling

Noodstopknop

De noodstop activeren en resetten:



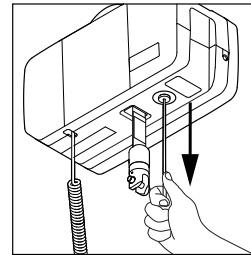
Trek aan de knop om de noodstop te activeren. De knop komt naar buiten en de tilvoorziening stopt.



Duw met een vinger of gebruik de buis op het koord om de knop terug te duwen en de noodstop te resetten.

Elektrische nooddaling

Trek en houd aangetrokken om te beginnen met dalen. Houd vast totdat de cliënt omlaag is gebracht en uit het tiljuk kan worden losgehaald.



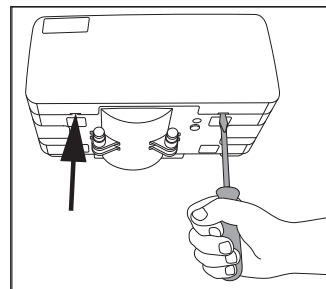
Uitsluitend voor gebruik in noodgevallen wanneer de handbediening niet werkt!

Handbediende nooddaling



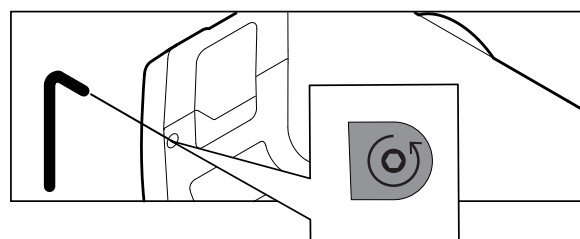
Een handmatige nooddaling mag alleen door onderhoudspersoneel worden uitgevoerd!

In de lift bevindt zich een inbussleutel of bitje voor een elektrische boor. Verwijder de afdekking.



Druk omlaag en druk de afdekking met een platte schroevendraaier of munt naar buiten in de twee sleuven om de afdekking te openen.

Plaats de sticker over de opening voor de handbediende nooddaling. Maak een opening of verwijder de sticker en steek het gereedschap naar binnen. Draai linksom om de tilband te laten dalen. We raden u aan een elektrische boor te gebruiken.



Er is GEEN service nodig in de volgende gevallen:

- 1) de handbediende nooddaling van de Air wordt om een bekende reden toegepast
- 2) de band is onbeschadigd
- 3) de eenheid werkt normaal nadat u de handbediende nooddaling hebt uitgevoerd.

De nieuwe removerbrugging helpt daarbij door handbediende nooddalingen minder belastend te maken voor de liftonderdelen. Wanneer zich om onbekende redenen een storing heeft voorgedaan en de handbediende nooddaling is toegepast, is service vereist.

Elektronica

Transport en opslag

Bij langdurige opslag raden wij u aan om de noodstopknop te activeren (uittrekken). De lift kan worden opgeslagen en vervoerd bij temperaturen tussen -25 en 70 °C.

Gebruik

De lift is bedoeld voor gebruik bij normale kamertemperatuur (+5 tot +40 °C).

Luchtdruk: 70 - 106 kPa

Relatieve vochtigheid: 15 - 90 %

Na opslag of transport bij andere temperaturen moet u de lift in een ruimte met een geschikte temperatuur plaatsen, totdat de lift een veilige werktemperatuur bereikt.



Bij elektrische medische apparatuur moeten speciale maatregelen met betrekking tot de elektromagnetische compatibiliteit (EMC) worden genomen. Draagbare of mobiele radiocommunicatieapparatuur kan elektrische medische apparatuur storen en moet op minimaal 25 cm (10 inch) van de elektronica van de lift worden gehouden.

Accu's

Molift Air 200/350 is verkrijgbaar met een accu van 2 x 12 V SLA of een accu van 25,6 V LiFePO4.

De SLA-accu heeft een verwachte levensduur van ongeveer 500 laadcycli.

De LiFePO4-accu heeft een verwachte levensduur van ongeveer 2.000 laadcycli.





Laad de accu direct na ontvangst op en vervolgens om de zes maanden, om storingen te voorkomen.



Accu's moeten als speciaal afval en volgens de plaatselijke regels en voorschriften worden weggegooid. Niet weggooien bij huishoudelijk afval. Vervanging van lithiumaccu's of brandstofcellen door onvoldoende opgeleid personeel kan tot gevaar leiden.

Accu- en onderhoudslampje op lift







	Symbool sleutel / servicelampje
	Symbool accu / acculampje

Het elektrische systeem heeft een energiebesparende functie die het elektrische systeem uitschakelt vijf minuten na de laatste handeling. Alle lampjes gaan uit.

Het systeem wordt geactiveerd als er op een van de bedieningsknoppen op de handbediening wordt gedrukt.

Acculampje op de lift

Als het acculampje geel is, heeft de lift nog voldoende vermogen om ten minste één volledige tilcyclus met maximale belasting uit te voeren. Wanneer het acculampje geel knippert, kan het tiljuk alleen nog omlaag worden gebracht.

Acculampje	Accuniveau
	Groen 80% of meer
	Groen 80 - 60%
	Groen 60 - 40%
	Groen 40 - 20%
	Geel 20 - 0%
	Geel knipperend 0%

Onderhoudslampje / periodieke inspectie

De elektronica van de lift registreert het gewicht en hoe vaak de lift is gebruikt. Na een bepaalde periode wordt met een signaal aangegeven dat de lift een onderhoudsbeurt nodig heeft.

Onderhoudslampje	Indicatie
Brandt niet	Geen onderhoud nodig
Geel	Periodieke inspectie vereist
Groen knipperend	Onderhoud regelen
Rood	Onderhoud uitvoeren

Onderhoudswerkzaamheden

Wanneer de takel een bepaald aantal keer heeft gehesen (5000 keer tillen met het maximaal toegestane gewicht (VWB)), gaat de service-indicator rood branden.

Een onderhoudsbeurt moet dan worden uitgevoerd door bevoegd personeel, met inbegrip van de inspectie en vervanging van versleten onderdelen.

Neem contact op met Etac of uw plaatselijke dealer, of ga naar etac.com om een erkende servicepartner te vinden.

Opladen

Molift Air kan worden opgeladen via handbediening met een acculader of via de rail met In Rail Charging.

Lampje op de lader en lampje van de voedingsspanning

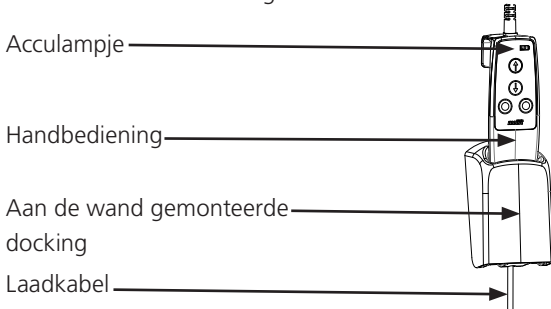
<i>Laadlampje</i>	<i>Indicatie</i>
Groen knipperend	Niet aangesloten op de tilvoorziening
Geel	Opladen
Geel knipperend	Bijladen
Groen	Volledig opgeladen

<i>Lampje van de voedingsspanning</i>	<i>Indicatie</i>
Blauw	Aangesloten op het stopcontact

Opladen via handbediening

De acculader is in een stopcontact gestoken. Er is aan de wand gemonteerde docking voor handbediening beschikbaar. Voorkom dat de kabel beschadigd raakt. De lader mag continu op het stopcontact zijn aangesloten. Gebruik uitsluitend laders van Molift. De handbediening heeft een controlelampje dat gaat branden als de accu bijna leeg is en de lift moet worden opgeladen.

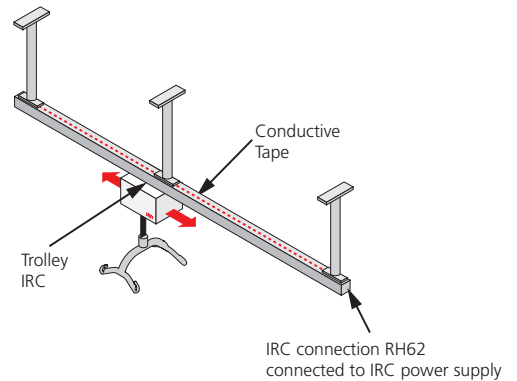
Lader voor handbediening Molift Air: Art.nr.: 2540100



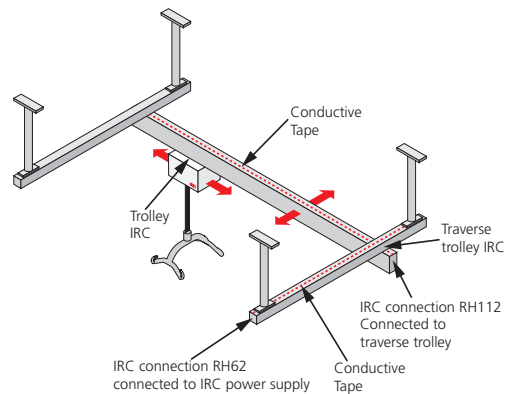
IRC (In Rail Charging)

De lift wordt opgeladen via een ingebouwde oplader in de liftmotor voor continu opladen over de hele lengte van het railsysteem.

Molift Air IRC heeft een ingebouwde oplader die aangesloten is op de accu. Deze moet met de IRC-kraankat in een railsysteem worden geïnstalleerd met geleidingstape. De IRC-kraankat is aangesloten op de acculader binnenin de Molift Air IRC. De IRC-kraankat staat altijd in contact met de geleidende band binnenin de rail. De IRC-stroomtoevoer is aangesloten op de geleidende band via een IRC-aansluiting aan het einde van de rail en levert stroom aan de acculader binnenin de Molift Air IRC.



IRC past op systemen met zowel enkele rail als dwarsstuk.



IRC-voeding

Art.nr.: 2510119

Lader 3844 DC/DC (onderdeel van Molift Air IRC)

Art.nr.: 2640101

Transfer

Plan de tilhandeling tijdig zodat die zo veilig en gemakkelijk mogelijk verloopt. Vergeet niet om ergonomisch te werken. Beoordeel de risico's en maak aantekeningen. De assistent is verantwoordelijk voor de veiligheid van de gebruiker.

De Molift Air kan met een 2- of een 4-punts tiljuk voor verschillende soorten transfers worden gebruikt; voor zittend, liggend of ambuland gebruik.

Slings gebruiken

Het is belangrijk dat de sling eerst met de individuele gebruiker en voor de bedoelde tilsituatie wordt getest.



Lees de gebruikershandleiding voor de sling voordat u deze gebruikt.



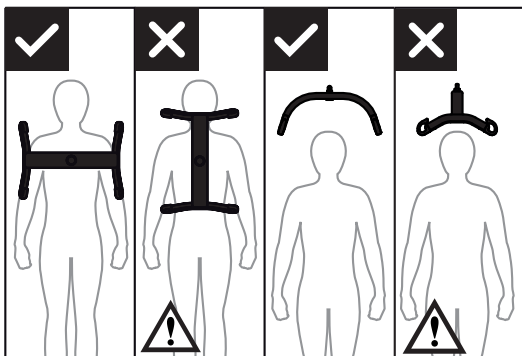
Gebruik geen beschadigde of zeer versleten slings.

Slings van een andere fabrikant

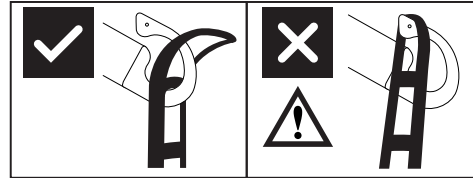
Wij adviseren het gebruik van Etac- of Molift-tilbanden. De tillift kan worden gecombineerd met stroppen van andere fabrikanten met soortgelijke ophanglussen. Bezoek www.etac.com voor compatibiliteitsverklaringen tussen liften en tilbanden van andere fabrikanten. Houd er rekening mee dat de natuurlijke of rechtspersoon die compatibele apparaten met CE-markering van verschillende leveranciers gebruikt, verantwoordelijk is voor de activiteit. Etac kan daarom niet aansprakelijk worden gesteld voor enig incident.

Tillen en laten zakken

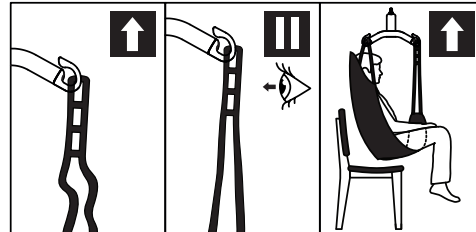
Als de cliënt wordt verplaatst, moet u naast de cliënt staan die u gaat optillen. Zorg ervoor dat armen en benen de stoel, het bed enz. niet kunnen belemmeren. Houd oogcontact met de cliënt zodat hij of zij zich veilig voelt.



Het 4-punts tiljuk moet altijd tegenover de cliënt worden geplaatst, zodat de cliënt niet uit de sling kan glijden.



De haken van het tiljuk zijn zo ontworpen dat de sling niet per ongeluk kan loskomen als deze correct is bevestigd.



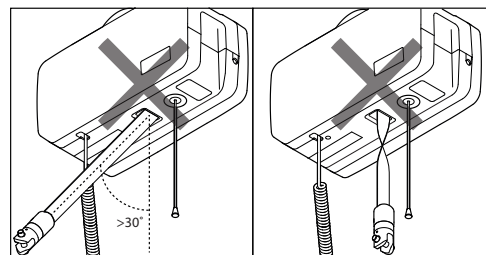
1. Controleer of de cliënt goed in de sling is geplaatst en of de bandlussen op de juiste wijze aan de haken van het tiljuk zijn bevestigd.
2. Haal de lussen omhoog tot ze strak staan, maar til de cliënt nog niet op. Zorg ervoor dat alle vier lussen van de sling stevig zijn bevestigd zodat de cliënt niet wegglijdt of valt.
3. Til de cliënt op en verplaats hem.



Gebruik de noodstop niet om de takel UIT te schakelen, behalve in een noodsituatie. De takel schakelt automatisch UIT (stand-by) na 5 minuten inactiviteit.

Hoeksensor

De tilvoorziening heeft een veiligheidsmechanisme dat zorgt dat de tilvoorziening niet kan tillen als de hoek van de tilband te steil is.



Als de tilvoorziening niet reageert op de knop Omhoog van de handbediening, kan dat komen doordat de hoek van de tilband te steil is of de tilband is gedraaid en de sensor wordt geactiveerd.

Accessoires

Laadsnoeren en stekkers.

Stekkeradapter EU, art.nr. 2510365

Stekkeradapter UK, art.nr. 2510366

Stekkeradapter US, art.nr. 2510367

Stekkeradapter AUS, art.nr. 2510368

Koord EU, art.nr. 1140105

Koord UK, art.nr. 1140106

Koord US, art.nr. 1140104

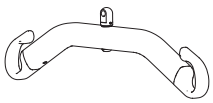
Koord AUS, art.nr. 1140107

Muurbeugel voor oplader, art. no. 2610123

Tiljucken

De Molift Air kan met een 2- of 4-punts tiljuk worden gebruikt.

Aluminum tiljuk



2-punts Small, aluminium, 350 mm,

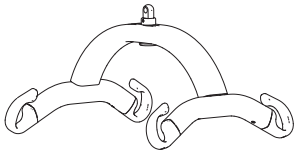
Art.nr.: 2530115

2-punts Medium, aluminium, 450 mm,

Art.nr.: 2530120

2-punts Large, aluminium, 550 mm,

Art.nr.: 2530125



4-punts Small, aluminium, 350 mm,

Art.nr.: 2530210

4-punts Medium, aluminium, 450 mm,

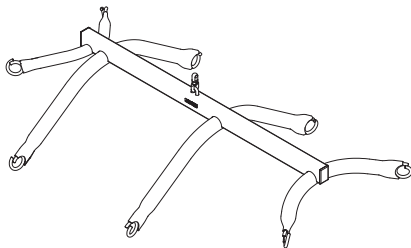
Art.nr.: 2530211

4-punts Large, aluminium, 550 mm,

Art.nr.: 2530212

4-punts X-Large, aluminium, 650 mm,

Art.nr.: 2530213



8-punts tiljuk voor fabric stretcher, staal

Art.nr.: 2140003

Weegschaal

Molift Weegschaal (zonder tiljuk)

Art.nr.: 1840000

Kan worden gecombineerd met alle compatibele tiljucken van Molift Air. De weegschaal is goedgekeurd voor Klasse III. De weegschaal kan met één druk op de knop ook de BMI (Body Mass Index) berekenen. Lees vóór gebruik de handleiding die bij de weegschaal wordt geleverd.

Slings

Etac heeft een breed assortiment slings voor verschillende transfertypes. De Molift RgoSling is ontwikkeld voor gebruik met een 4-punts tiljuk met lusverbindingen. De tilbanden werken ook met een 2-punts tiljuk. Zie de combinatielijst in de gebruikershandleiding van de sling voor de juiste combinatie van sling en tiljuk.

De serie Molift RgoSling-slings is verkrijgbaar in de maten XXS – XXL, in polyester en polyestermesh. Een volledige lijst van slings en tiljucken vindt u op www.etac.com.

Molift Rgosling Mediumback Padded (XS-XXL)

Molift Rgosling Highback Padded (XS-XXL)

Molift Rgosling Mediumback Net (XXS-XXL)

Molift Rgosling Highback Net (XXS-XXL)

Molift Rgosling Toilet Lowback (XXS-XXL)

Molift Rgosling Toilet Highback (XXS-XXL)

Molift Rgosling Amputee Mediumback (XXS-XXL)

Molift Rgosling Amputee Highback (XXS-XXL)

Molift Rgosling Ambulating Vest

Molift Rgosling Comfort Highback (S-L)

Molift RgoSling Fabric Stretcher

Molift RgoSling Repositioning

Tillbehör:

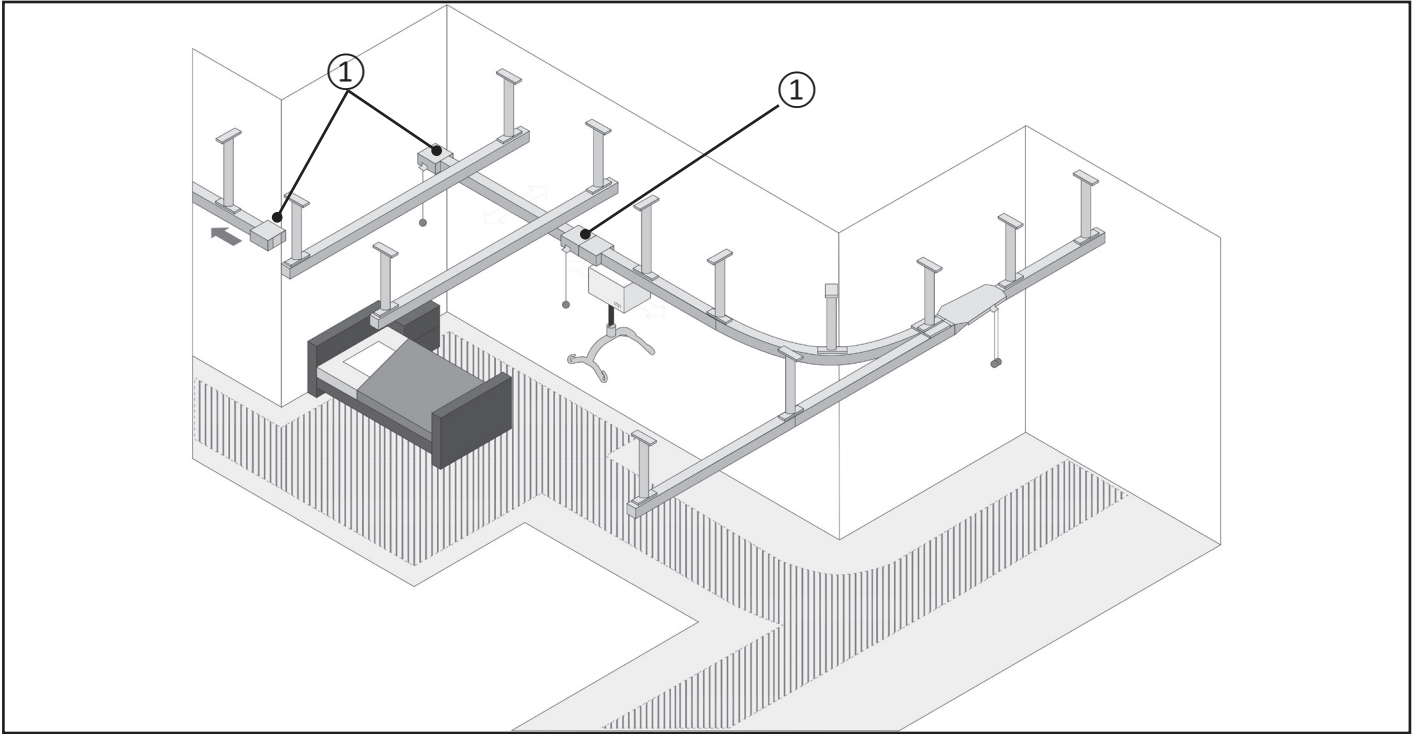
Molift Rgosling Extension Loops

Art.nr.: 1721600

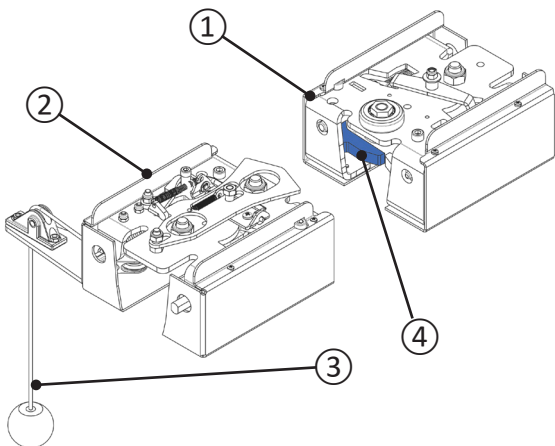
Molift Rgosling Ambulating Vest Groin strap (XXS-XL)

Overgangskoppeling

Bij sommige railsystemen zijn overgangskoppelingen ① geïnstalleerd. Deze worden gebruikt om de gebruiker van het ene railsysteem naar het andere te verplaatsen, bijv. tussen twee verschillende kamers.

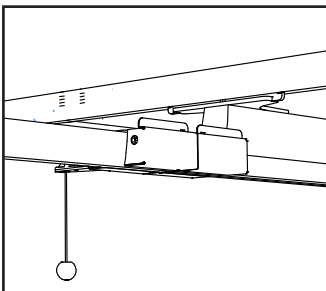


Componenten

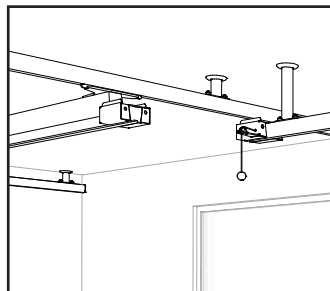


- ① Overgangskoppeling
- ② Overgangskoppeling met katrol
- ③ Katrol met gewicht
- ④ Poort (twee stuks per eenheid)

Statussen



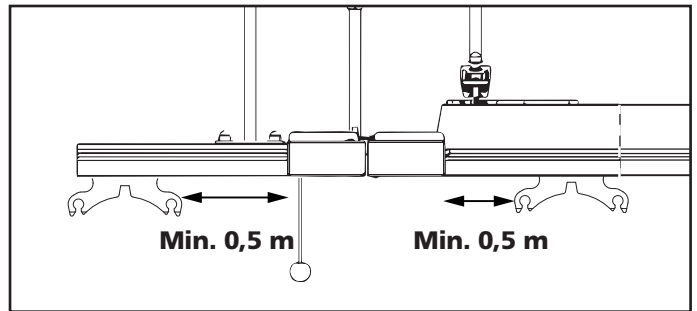
Gekoppeld



Losgekoppeld

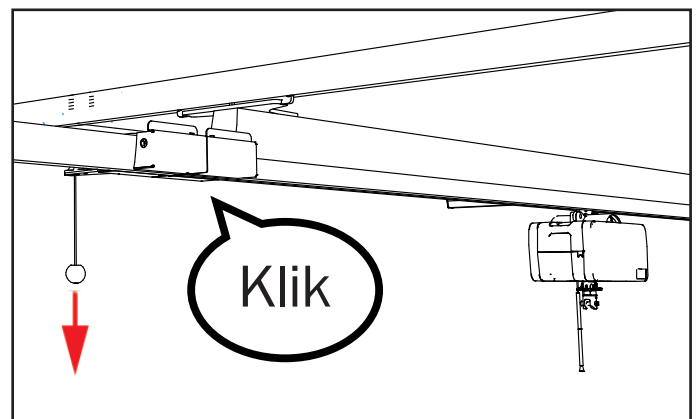
Loskoppelen

Voordat u de overgangskoppeling loskoppelt, moet u controleren of de kraankat min. 0,5 m verwijderd is van de overgangskoppeling.



Trek de katrol omlaag tot aan de aanslag.

U hoort een geluid dat aangeeft dat deze los is.

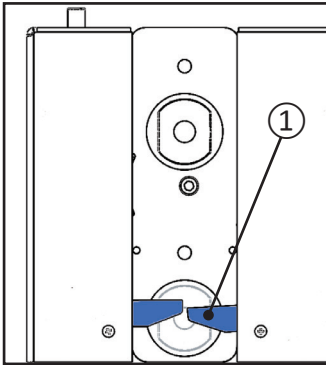


De overgangskoppeling is nu losgekoppeld.

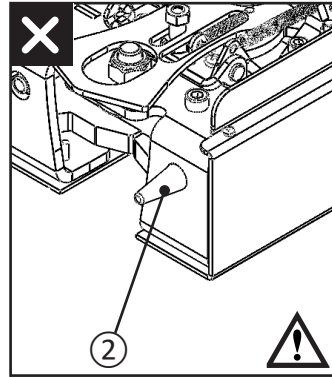
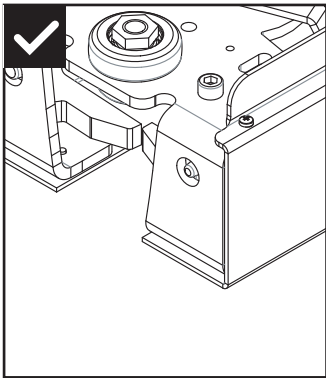
Transfer – losgekoppelde overgangskoppeling

Voer geen transfers uit voordat u het volgende hebt gecontroleerd:

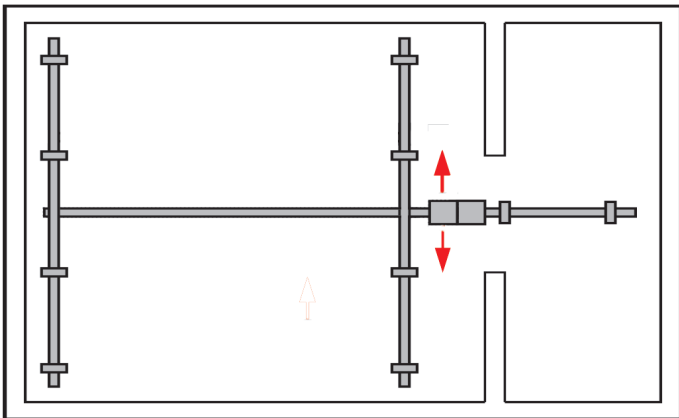
Beide poorten ① zijn zichtbaar (overgangskoppeling van onderaf gezien).



Borgbout ② mag **niet** zichtbaar zijn wanneer de koppeling is losgekoppeld.

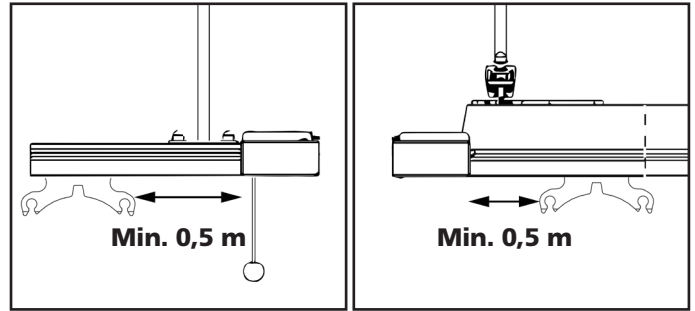


Duw de traverserail in de gewenste richting.

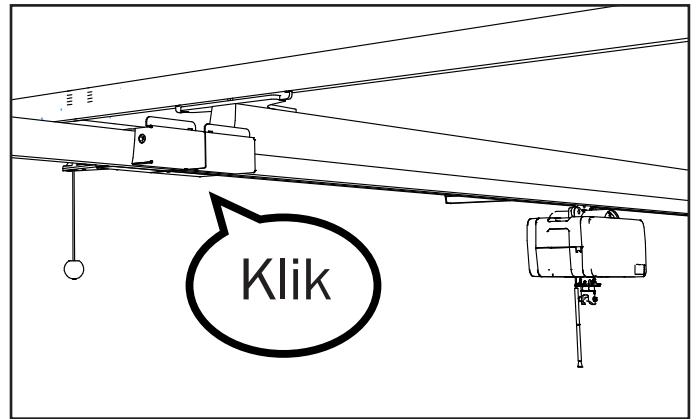


Koppelen

Voordat u overgangskoppelingen koppelt, moet u controleren of de kraankat min. 0,5 m verwijderd is van de overgangskoppeling.



Duw de traverserail in de richting van de stationAire rail, zodat de overgangskoppelingen op elkaar aansluiten en u een geluid hoort.



Transfer – gekoppelde overgangskoppeling

Verplaats de gebruiker niet voordat u hebt gecontroleerd of de overgangskoppelingen volledig aan elkaar zijn vergrendeld.

De rails mogen niet met de hand uit elkaar kunnen worden geschoven.

De gebruiker kan nu van de ene rail naar de andere worden verplaatst.

Reiniging / desinfectie

Reinig het product regelmatig. Reinig oppervlakken met een vochtige doek en een geschikt pH-neutraal reinigingsmiddel. Gebruik geen oplosmiddelen of agressieve middelen omdat de oppervlakken van de lift hierdoor beschadigd kunnen raken. Voor desinfectie wanneer nodig: gebruik hiervoor isopropylalcohol. Gebruik geen agressieve reinigingsmiddelen. Controleer de noodstop en nooddaalfunctie na het reinigen. De lift mag niet worden gereinigd met stromend water. Bij installatie in omgevingen met risico op vocht is het belangrijk dat het railsysteem en de motor regelmatig worden gewassen en gedroogd. Een volledige gids voor het verminderen van het risico op corrosie is op aanvraag verkrijgbaar.



Zorg ervoor dat u tijdens het reinigen geen labels beschadigt of verwijdert.



Beschermingscode IP24 geldt voor de lift en de handbediening: beschermd tegen indringen van vaste voorwerpen groter dan 12,5 mm en geen schade indien besproeid onder eender welke hoek tot 60°.



De zorgverlener en de klant worden blootgesteld aan de volgende materialen: polypropyleen en polyester (slings*), PC/ABS (handbediening en liftkap), gepoedercoat aluminium, gepoedercoat zink (tiljukken).
*= Toegepast deel



In zeldzame gevallen kunnen cliënten of zorgverleners die worden blootgesteld aan polypropyleen en polyester last hebben van allergische reacties zoals huidirritatie, lichte jeuk en een gevoelige huid.

Revisie

Volg de procedure voor reiniging en installatie, voer de periodieke inspectie uit en gebruik de controlelijst na het installeren om de lift weer gebruiksklaar te maken.

Recycling

Zie 'Instructies voor recycling' voor het correct afvoeren van het product. Ga hiervoor naar www.etac.com.

Reserveonderdelen

Op verzoek is een lijst met reserveonderdelen beschikbaar.

Omvang van de periodieke inspectie

De periodieke inspectie is een visuele controle (vooral van de lastdragende structuur van de lift en het tilmechanisme met bevestigingen, remmen, bedieningen, veiligheidsvoorzieningen en ondersteuningsvoorzieningen voor de gebruiker) volgens het Rapport voor periodieke inspectie van de Molift Air 200 en 350. Zie www.etac.com.



Wanneer er door problemen met de lift sprake is van gevaar voor de veiligheid, moet de lift onmiddellijk buiten gebruik worden gesteld en duidelijk worden gemarkeerd met 'buiten werking'. De lift mag pas na reparatie opnieuw worden gebruikt. Neem contact op met uw plaatselijke Molift/Etac-dealer/distributeur om eventuele problemen te melden.

De periodieke inspectie moet minimaal één keer per jaar worden uitgevoerd of vaker als dit verplicht is volgens de lokale voorschriften. Deze inspectie moet door servicepersoneel worden uitgevoerd dat door Etac is erkend. Neem contact op met Etac via molift@etac.com voor training en autorisatie of aanbevelingen voor een goedgekeurde servicepartner.

Bij het uitvoeren van een periodieke inspectie moet de inspecteur het inspectierapport voor Molift Air invullen. De rapporten moeten worden bewaard door degene(n) die verantwoordelijk is/zijn voor het onderhoud van de lift. Als er bij de inspectie defecten en schade worden vastgesteld, wordt de lift buiten gebruik gesteld en gemarkeerd met een label "buiten werking" totdat hij is hersteld.

Problemen oplossen

Probleem	Mogelijke oorzaak/corrigerende maatregel
De lift reageert niet op de handbediening	De noodstop is geactiveerd. Deactiveer deze door de knop weer in te drukken.
	De elektronica van de lift is oververhit. Wacht totdat deze is afgekoeld.
	De handbediening is niet goed aangesloten. De handbediening, de stekker of het snoer kan defect zijn en moet worden vervangen.
De lift reageert niet op de knop Omhoog van de handbediening	De hoeksensor van de tilband is geactiveerd. Pas de stand van de tilband aan of verplaats de tilvoorziening zodat de hoek van de tilband afneemt.
Wanneer u de elektrische nooddaling gebruikt, gaat de tilband omhoog.	De tilband is volledig naar buiten gekomen en de verkeerde kant opgedraaid. Gebruik de handbediende nooddaling.

Vigtigt

Denne brugervejledning indeholder vigtige sikkerhedsinstruktioner og oplysninger vedrørende anvendelse af sejlet og tilbehøret.

I denne vejledning er brugeren den person, der bliver løftet. Plejegeren er den person, der betjener personløfteren.



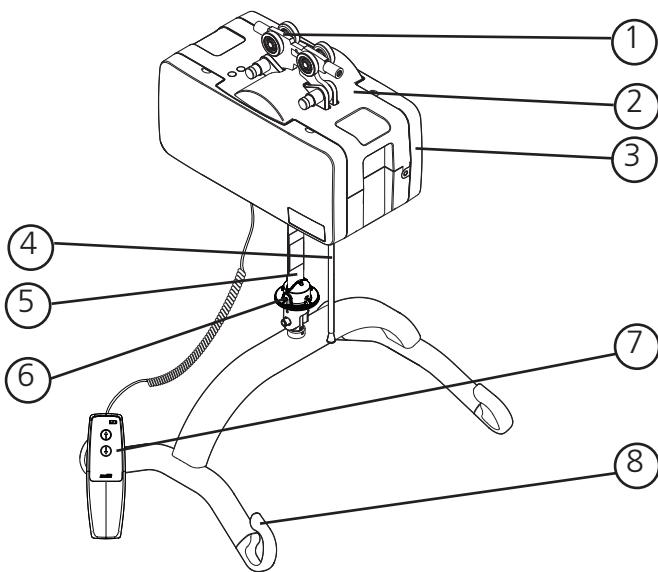
Dette symbol angiver vigtige oplysninger angående sikkerhed. Følg disse instruktioner nøje.



Læs brugervejledningen inden brug!
Det er vigtigt, at du fuldt ud forstår indholdet i brugervejledningen, før du forsøger at bruge udstyret.

Besøg www.etac.com for at downloade dokumentationen for at sikre, at du har den nyeste version.

Molift Air 200/350



Hejseværkets komponenter:

1. Løbekat
2. Hejseværk
3. Sidebetræk
4. Nødstop/nødsænkning
5. Løftebælte
6. Stift til hurtig frigørelse
7. Betjeningshånd sæt
8. Løfteåg

Om Molift Air

Molift Air er en stærk og letløbende loftsmonteret personløfter, som gør det muligt for patienter og beboere at blive forflyttet på en behagelig og sikker måde. Den kan bruges til siddende og liggende forflytning samt til stående og gående træningssituationer sammen med det omfattende tilbehørsprogram fra Molift.

Molift Air har en meget let motor, som i kombination med koblingssystemet til hurtig frigørelse giver nem håndtering ved montering og servicering.

Generelt



CE-erklæring

Produktet og det relaterede tilbehør, der er beskrevet i denne brugervejledning, er i overensstemmelse med forordning (EU) 2017/745 af 5. april 2017 - som medicinsk udstyr, risikoklasse I.

Produktet er testet og godkendt af en tredjepart i henhold til standarderne IEC 60601-1, IEC 60601-1-2 og EN/ISO 10535:2021. Alle alvorlige hændelser, der opstår i forbindelse med udstyret, skal indberettes til producenten og den kompetente myndighed i brugerens og/eller patientens medlemsstat.

Betingelser for anvendelse

Der er altid en vis risiko ved løft og forflytning af en bruger, og det er kun uddannet personale, som må anvende det udstyr og tilbehør, der er beskrevet i denne brugervejledning. Skinnesystemet skal monteres af certificeret personale iht. gældende monteringsvejledning. Personløfteren er ikke beregnet til at blive betjent af den bruger, der bliver løftet.

Modifikationer og anvendelse af komponenter fra andre producenter.

Vi anbefaler, at der udelukkende anvendes Molift-komponenter og -reservedele. Overensstemmelseserklæringen vil ikke længere være gyldig, og Etacs garantiforpligtelse bortfalder, hvis der foretages nogen form for modifikationer på produktet. Etac er ikke ansvarlig for fejl eller uheld, som måtte opstå ved brug af komponenter fra andre producenter. Det kan være usikkert at bruge tilbehør, aftagelige dele og materialer, som ikke er anført i denne brugervejledning.



Kun certificeret personale må åbne hejseværket eller tilbehøret for at udføre service eller reparation. Der er risiko for personskade fra roterende dele og elektrisk stød.



Garanti

To års garanti på fabrikations- og materialefejl på vores produkter.
Et års garanti på batterier.
Se www.etac.com for vilkår og betingelser.

Definitioner

Den person, der beskrives som "brugeren" i denne brugervejledning, er den person, der sidder i produktet. "Hjælperen" er den person, der manøvrerer produktet.

Tilsigtet formål

Anvendes til løft og forflytning af brugere, der har brug for støtte til at blive løftet eller forflyttet inden for et skinnesystem, f.eks. til/fra seng, gulv, kørestol, badestol, toilet eller lignende. Også til gangtræning i kombination med stå/gå-vest.

Målgruppe

Anvendes til brugere, der har brug for støtte til at blive løftet og forflyttet, eller ved gangtræning, f.eks. personer med begrænset mobilitet, som har brug for kropsstøtte under forflytninger. Ikke en udtømmende liste.

Tilsigtet miljø

Til indendørs brug i et skinnesystem inden for akut pleje, langtid-pleje, hjemmepleje.

Indikationer

Enheden kan anvendes til børn, voksne og ældre med behov for støtte til at blive løftet og forflyttet, eller ved gangtræning, i et skinnesystem.

Enhedens målgruppe er baseret på individuel sundheds- og mobilitetsfunktion og ikke en specifik diagnose eller alder.

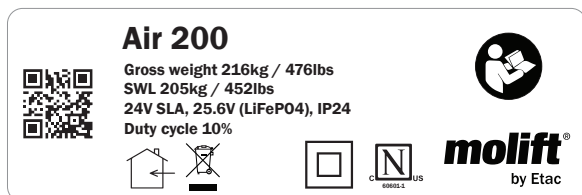
Kontraindikationer

Der er ingen kendte kontraindikationer for hejseværket, men sørg for, at sejlet passer til brugeren.

Produktidentifikation

Produktmærkat

Produktmærkatens stregkode indeholder varenummer, serienummer og produktionsdato:



Advarselmærkater og -symboler

Symboler, som bruges i produktet, beskrives her nærmere:



Klasse II dobbeltisoleret



CE-mærket



Se brugervejledningen



Kun til indendørs brug



Maks. brugervægt



Må ikke bortskaffes med almindeligt affald



Nødstop/
nødsænkning



Servicelys



Batterilyt



Unbrakonøglesymbol til manuel nødsænkning



Bemyndigede organs mærke



Grænser for luftfugtighed



Grænser for atmosfærisk tryk



Grænser for temperatur



Producent



Fremstillingsdato



Katalognummer



Løbenummer



Medicinsk udstyr

Tekniske data

Sikker arbejdsbelastning (SWL, Safe Working Load)

Molift Air 200: SWL = 205 kg (450 lbs)

Valgfrit SWL (indstilling) = 160-205 kg

Molift Air 350: SWL = 350 kg (771 lbs)

Valgfrit SWL (indstilling) = 160-350 kg

Enhedens vægt:

Stel inkl. batteri, ekskl. løfteåg:

8,56 kg (18,87 pund)

4-punkts løfteåg, mellem: 2,2 kg/4,8 pund

Batteri:

Varenr.: 2920204 25,6 V LiFePO4 2,4 Ah

Varenr.: 2920007 12 V SLA 2,9 Ah

Batterioplader:

Oplader til betjeningshåndsettet, Mascot – type 3743

Varenr.: 2540100

100-240 V AC, 50-60 Hz maks. 0,5 A

Output 0,9 A

IRC-strømforsyning, Mascot – type 3721

Varenr.: 2610119

Input: 100-240 V AC, 50-60 Hz maks. 1,0 A

Output: 24 V DC 1,75 A/42 W

IRC-strømforsyning, Mascot – type 3844

Varenr.: 2640200

Input: 20-30 V DC 1,3 A

Output 0,5 A

Løfthastighed

60 mm/sek. (2,36 tommer/sek.)

med en belastning på 75 kg (165,35 pund)

Hastighed på fremdriftsmotor

0,2 m/sek. (7,87 tommer/sek.)

Kapslingsklasse

Betjeningshåndsett IP24

Løftemotor IP24

Sound pressure

52 dBA

Sound power (L_{WA})

63 dB

Betjeningskraft for knapper

Knapper på håndsettet: 3,4 N

Materiale:

Aluminium, plastik, stål

Forventet levetid:

Hejseværket har en forventet levetid på 30.000 cyklusser med SWL eller 10 år.

Mål:

L x B x H (Længde, bredde, højde uden løbekat)

36 x 19 x 19,5 cm

(14,2 x 7,5 x 7,7 tommer)

A Hejserækkevidde for Air 200:

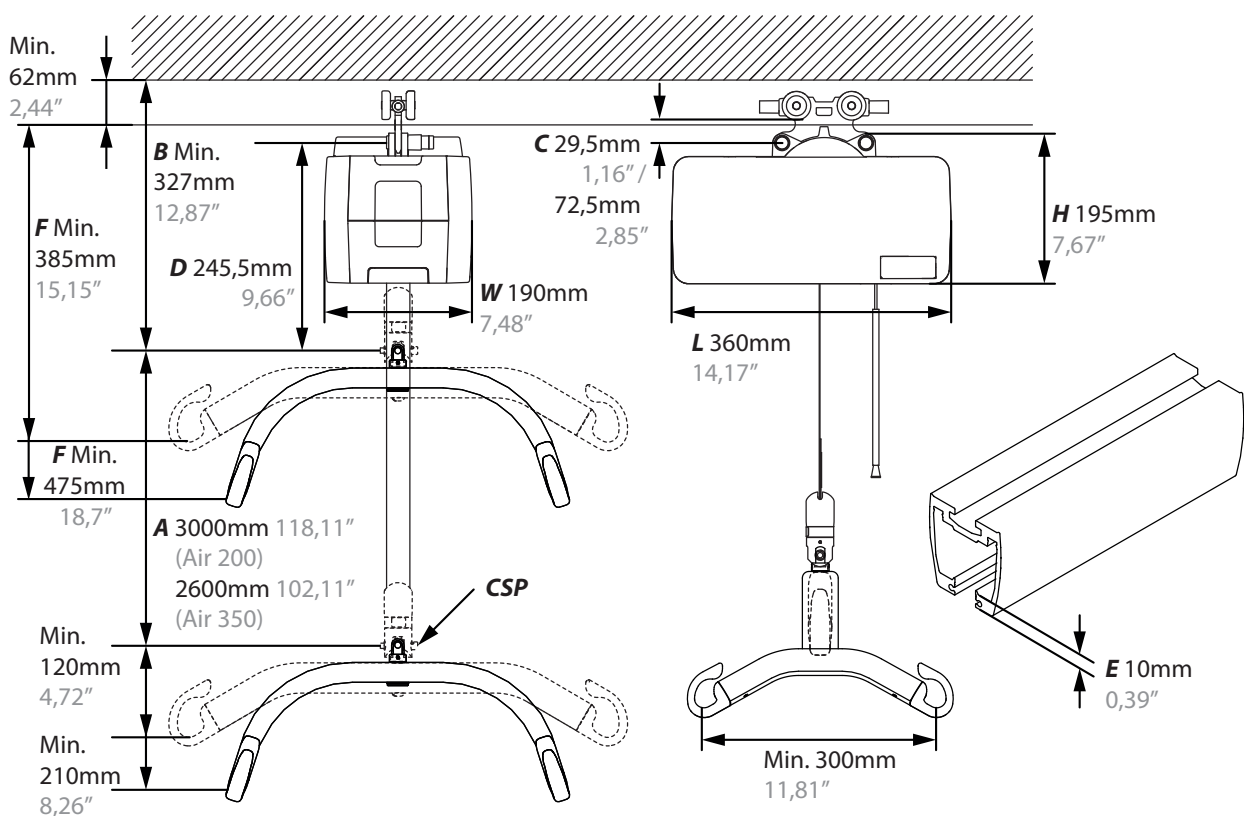
300 cm (118 tommer)

Hejserækkevidde for Air 350:

260 cm (102 tommer)

B (Mindste afstand fra loftet til løfteågets koblingspunkt) 32,7 cm (12 7/8 tommer)

Der er yderligere oplysninger om tekniske data og udførelse af service og reparation i den tekniske vejledning.



Montering

Hejseværket er mærket med sikker arbejdsbelastning (SWL, Safe Working Load). Denne må ikke overstige skinnerystemets maksimale belastningskapacitet.

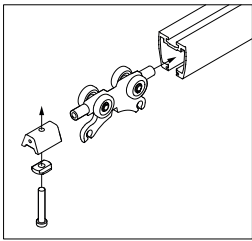


Skinnesystemet må kun monteres af certificeret personale iht. gældende monteringsinstruktioner.



Start ikke med at hejse, før du har afsluttet kontrollen iht. tjeklisten efter montering.

Montering af løbekatten



Montering af løbekatten i skinnerystemet. Fjern endestoppet, og indsæt løbekatten i skinnen. Montér endestoppet, og kontrollér, at det sidder fast. Detaljeret beskrivelse af montering findes i BM3401. Etac tilbyder løbekatte til montering af Molifts lifte i skinnerystemer fra andre producenter. Kontakt din lokale Etac-repræsentant for at få flere oplysninger om løbekatte, der er kompatible med andre producenters skinnerystemer.

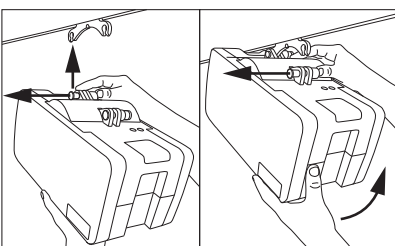


Kontrollér, at endestoppene er monteret i alle enderne af skinnerystemet, før du bruger hejseværket!

Montering af personløfteren

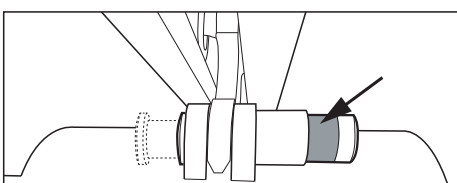


Vær forsigtig i situationer, hvor der arbejdes i højden. Vi anbefaler to eller flere montører for at forhindre, at man mister balancen, så der opstår personskade under monteringen!



Montering af personløfteren på løbekatten. Der kræves intet værktøj. Personløfteren har to fastgøringspunkter.

Fastgør det ene punkt først. Tryk knappen helt ind, og placér personløfteren i løbekattens fastgøringspunkt. Slip knappen, og kontrollér, at den lyser tydeligt grønt, før du fastgør det næste punkt.



Kontrollér, at begge knapper til fastgørelsespunkterne vender helt tilbage til udgangspunktet og lyser tydeligt grønt efter monteringen. Ledningen og røret til nødsænkning kan tilpasses til den korrekte længde (højde) ved tilklipping af røret og ledningen.

Montering

Brug denne tjekliste til at bekræfte, at hejseværket er korrekt monteret og kan betjenes korrekt og sikkert, før det tages i brug.

- Der er monteret endestop på skinnen efter montering af løbekatten som beskrevet i BM3401
- Kontrollér, at hejseværket er korrekt fastgjort til skinnen, og at personløfteren ikke har nogen løse dele.
- Udfør ét løft med belastning (60-80 kg)
- Kontrollér, at batteriet er helt opladet.

Sådan anvendes Molift Air

Generelle sikkerhedsforanstaltninger

Brug kun tilbehør og sejl, der er justeret, så de passer til brugeren, typen af handicap, størrelsen, vægten og typen af forflytning.

Forhold mellem arbejdspauser/driftsperiode.

Molift Air 200 / 350 må ikke køre i mere end 2 minutter ad gangen (med maksimal belastning). Herefter skal der holdes en pause på mindst 18 minutter. Driftsperiode 10 %. (intermittens iht. standarden ISO-EN 10535)



Anbring ikke hejseværket på en måde, der gør det svært at afbryde strømkablet. Systemet isoleres ved at trække strømkablet ud af stikkontakten i væggen.



Hvis den maksimale belastning (SWL) mellem hejseværkets løfteåg og kropsstøtteenheden er forskellig, skal der altid bruges den laveste maksimale belastning



Molift-personløftere må kun anvendes til løftning af brugeren. Anvend aldrig personløfteren til at løfte eller flytte nogen form for genstande.

Før anvendelse/dagligt tjek

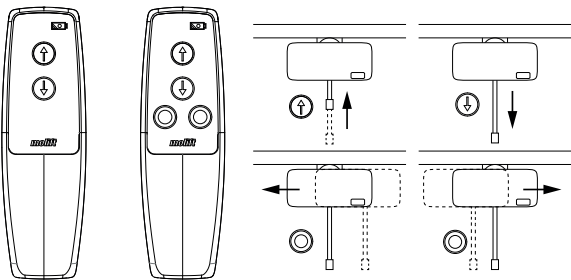
Inspektion, som plejegeriveren skal udføre dagligt eller før anvendelse:

- Inspicér personløfteren og skinnerystemet for synlig skade, synlige fejl eller skævheder
- Kontrollér, at løfteågsforbindelsen og alle dele, som kan afmonteres, er korrekt fastgjort og sikret
- Test nødstopknappen og nødsænkningen
- Kontrollér, at batteriindikatoren eller serviceindikatoren ikke lyser
- Kontrollér, at løfteremmen ikke har synlige skader eller trævler.
- Testkør personløfterens driftsfunktioner, og kontrollér, at personløfteren ikke afgiver unormale lyde

Hvis der er fejl eller defekter, skal personløfteren tages ud af drift og markeres med "ude af drift". Der må ikke udføres service eller vedligeholdelse på nogen del af Molift Air, mens systemet er i brug med en patient.

Betjeningshåndsat

Betjeningshåndsettet har 2 knapper til at løfte og sænke, eller 4 knapper, hvis hejseværket er udstyret med fremdrift. Betjeningshåndsettet har en indikator, der lyser, når batteriet er ved at løbe tør for strøm, og personløfteren skal genoplades

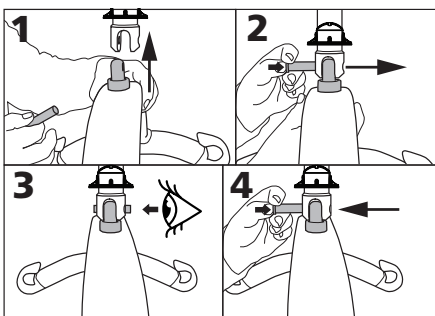


Træk ikke i betjeningshåndsettet for at flytte hejseværket langs skinnen



Liften virker ikke, hvis betjeningshåndsettet er tilsluttet en oplader. Afbryd forbindelsen mellem betjeningshåndsettet og opladeren, før du benytter liften.

Montering af løfteåget

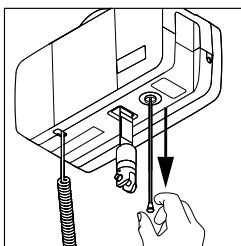


1. Juster løfteåget i fastgørelsespunktet.
2. Tryk på knappen på låsestiften, og før den hele vejen igennem.
3. Kontrollér, at låsestiften er korrekt fastgjort
4. Tryk på og hold knappen på låsestiften nede, og træk for at fjerne låsestiften.

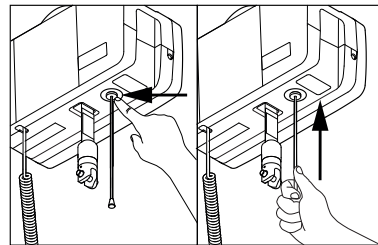
Nødstop/nødsænkning

Nødstop

Aktivering og nulstilling af nødstop:



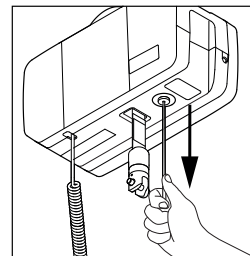
Træk for at aktivere nødstoppet. Knappen springer ud, og hejseværket stopper.



Brug en finger eller røret på ledningen til at trykke knappen tilbage for at nulstille nødstoppet.

Elektrisk nødsænkning

Træk og hold for at starte med at sænke. Hold, indtil brugeren er sænket ned og kan frigøres fra løfteåget.



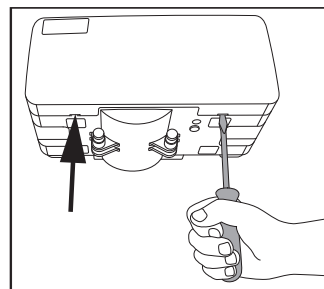
Kun til brug i nødstilfælde, når betjeningshåndsettet ikke fungerer!

Manuel nødsænkning

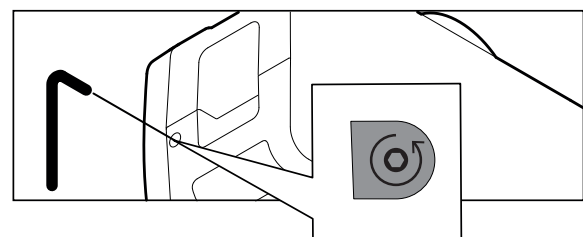


Manuel nødsænkning må kun udføres af servicepersonale!

Unbrakonøgle eller borebit findes indvendigt i personløfteren. Fjern dækslet for at få adgang til dem.



Tryk nedad, og træk dækslet udad ved hjælp af en flad skrueetrækker eller en mønt i de to spor for at åbne dækslet. Find klistermærket over hullet til manuel nødsænkning. Lav et hul i, eller fjern klistermærket, og indsæt værktøjet. Drej mod uret for at sænke løftebæltet. Det anbefales, at der bruges en boremaskine.



Service er IKKE påkrævet, hvis:

- 1) den manuelle Air-nødsænkning er brugt af en kendt årsag
- 2) bæltet ikke er beskadiget
- 3) enheden fungerer normalt efter den manuelle nødsækningsprocedure.

Den nye bremseforbikobling vil bidrage til dette ved at gøre manuel nødsækning mindre belastende for løftekomponenterne. Hvis der har været en fejlfunktion på enheden, hvor årsagen ikke er kendt, og det manuelle nødsækningsystem har været brugt, er service påkrævet.

Elektronik

Transport og opbevaring

Ved længere tids opbevaring anbefales det, at nødstopknappen er aktiveret (trukket ud). Personløfteren kan opbevares og transporteres ved temperaturer på mellem -25 og 70 °C.

Drift

Personløfteren er konstrueret til anvendelse ved stuetemperatur (+5 til +40 °C).

Lufttryk: 70 - 106 kPa

Relativ luftfugtighed: 15 - 90 %

Efter opbevaring eller transport ved andre temperaturer skal personløfteren efterlades i et rum med en passende temperatur, indtil den får en sikker driftstemperatur.



Medicinsk elektrisk udstyr kræver særlige forholdsregler angående elektromagnetisk kompatibilitet (EMC). Bærbart eller mobil radiokommunikationsudstyr kan påvirke det medicinske elektriske udstyr og skal holdes i en afstand på mindst 25 cm (10 tommer) fra personløfterens elektronik.

Batterier

Molift Air 200/350 findes med 2 x 12 V SLA-batteri eller et 25,6 V LiFePO4-batteri.

SLA-batteriet har en forventet levetid på ca. 500 ladeacyklusser.

LiFePO4-batteriet har en forventet levetid på ca. 2000 ladeacyklusser.





Genoplad batteriet ved modtagelsen og derefter hver sjette måned for at undgå batterisvigt.



Batterier skal bortskaffes som særligt affald iht. lokal lovgivning og lokale regler. De må ikke bortskaffes med almindeligt affald. Hvis utilstrækkeligt oplært personale udskifter litiumbatterier eller brændselsceller, kan det medføre fare







Batteri- og serviceindikator på personløfteren

	Skruenøglesymbol/ serviceindikator
	Batterisymbol/ batteriindikator

Det elektriske system har en strømsparefunktion, som slukker det elektriske system fem minutter efter sidste betjening. Alle indikatorer slukker. Systemet aktiveres ved at trykke på en af knapperne på betjeningshåndsettet.

Batteriindikator på hejseværk

Når flerniveaubatteriindikatoren lyser gult, har personløfteren tilstrækkelig strøm til mindst én fuld løftecyklus med maksimal belastning. Når batteriet blinker gult, er det kun muligt at sænke løfteåget.

Batteriindikator	Batteriniveau
	Grøn 80 % eller derover
	Grøn 80 - 60 %
	Grøn 60 - 40 %
	Grøn 40 - 20 %
	Gul 20 % - 0 %
	Blinker gult 0 %

Serviceindikator/periodisk inspektion

Personløfterens elektronik registrerer de løftede belastninger og antallet af løft. Efter en vis driftsperiode afgives der et signal for at angive, at service er påkrævet.

Serviceindikator	Tilstand
Lyser ikke	Ikke behov for service
Gul	Periodisk inspektion påkrævet
Blinker grønt	Bestil service
Rød	Udfør service

Omfang af service

Når hejseværket har udført et antal løft (5.000 løft med den sikre arbejdsbelastning (SWL)), lyser serviceindikatoren rødt. Der skal derefter udføres service af autoriseret personale, herunder eftersyn og udskiftning af slidte dele. Kontakt Etac eller din lokale forhandler eller besøg etac.com for at finde en godkendt servicepartner.

Opladning

Molift Air kan oplades ved hjælp af betjeningshåndsættet med en batterioplader eller via skinnen med IRC (In Rail Charging).

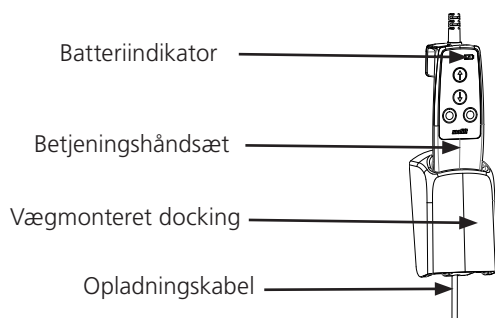
Indikator på oplader og strømforsyningsindikator

Opladerindikator	Tilstand
Blinker grønt	Ikke tilsluttet til hejseværk
Gul	Oplader
Blinker gult	Næsten opladet
Grøn	Helt opladet

Strømforsyningsindikator	Tilstand
Blå	Tilsluttet til strømudtag

Opladning af betjeningshåndsættet

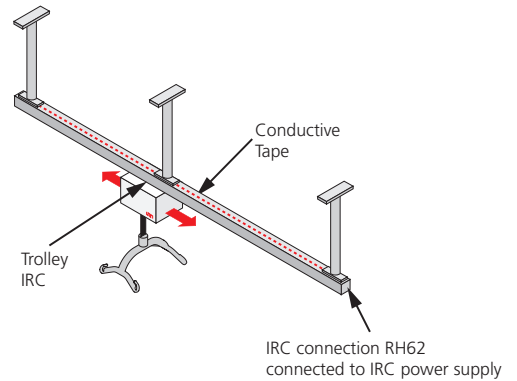
Batteriopladeren sættes i et strømstik. Der fås vægmonteret docking til betjeningshåndsæt. Sørg for, at kablet ikke beskadiges. Opladeren kan forblive tilsluttet til strømudtaget. Brug kun Molift-opladere. Betjeningshåndsættet har en indikator, der lyser, når batteriet er ved at løbe tør for strøm, og personløfteren skal genoplades. Oplader til Molift Air-betjeningshåndsæt: Varenr.: 2540100



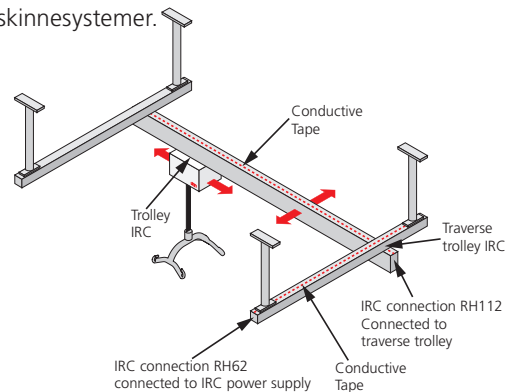
IRC (In Rail Charging)

Personløfteren oplades gennem en indbygget oplader i løftmotoren, der sikrer konstant opladning gennem hele skinneresystemet.

Molift Air IRC har en indbygget oplader, der er tilsluttet batteriet. Den skal monteres med IRC-løbekatten i et skinneresystem med elektrisk ledende tape. IRC-løbekatten er tilsluttet batteriopladeren i Molift Air IRC. IRC-løbekatten er altid i kontakt med den elektrisk ledende tape i skinnen. IRC-strømforsyningen er tilsluttet den elektrisk ledende tape gennem IRC-forbindelsen for enden af skinnen og leverer strøm til batteriopladeren i Molift Air IRC.



IRC passer både til enkeltskinneresystemer og tværgående skinneresystemer.



IRC-strømforsyning

Varenr.: 2510119

Oplader 3844 DC/DC (en del af Molift Air IRC)

Varenr.: 2640101

Forflytning

Planlæg løfteprocessen på forhånd for at sikre, at den foregår så sikkert og ubesværet som muligt. Husk at arbejde ergonomisk korrekt. Vurder risiciene, og tag notater. Hjælperen er ansvarlig for brugerens sikkerhed.

Molift Air kan bruges med både 2- og 4-punkts løfteåg til forskellige typer forflytning: siddende, liggende eller ambulantly.

Brug af sejlet

Det er vigtigt, at sejlet er blevet afprøvet på den enkelte bruger og til den tilsigtede løftesituation.



Læs brugervejledningen, før du bruger sejlet.



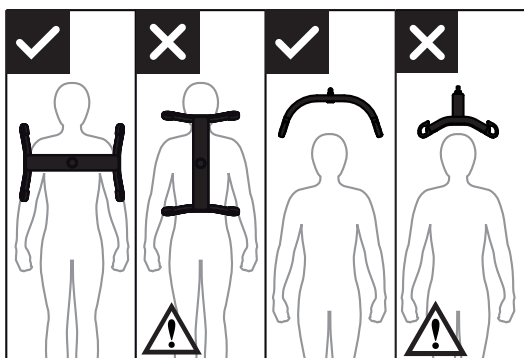
Brug ikke ødelagte eller nedslidte sejl.

Sejl fremstillet af andre producenter

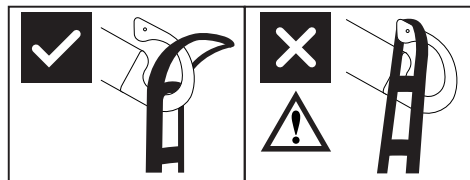
Vi anbefaler at bruge Etac eller Molift sejl. Hejseværket kan kombineres med sejl fra andre producenter med lignende ophængsløkker. Besøg www.etac.com for kompatibilitetserklæringer mellem lifte og sejl fra andre producenter. Bemærk venligst, at den fysiske eller juridiske person, der anvender CE-mærkede kompatible enheder fra forskellige leverandører, er ansvarlig for aktiviteten. Etac kan derfor ikke holdes ansvarlig for nogen hændelse.

Løfte og sænke

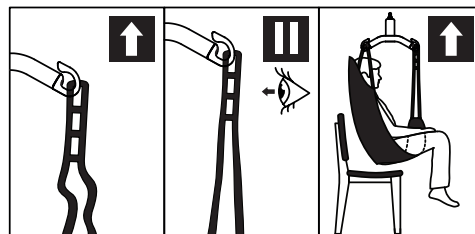
Når du flytter brugeren, skal du stå ved siden af den bruger, du løfter. Sørg for, at arme og ben ikke kommer i vejen for sæde, seng osv. Bevar øjenkontakten med brugeren, så vedkommende føler sig sikker.



4-punkts løfteåget skal altid anbringes på tværs af brugeren for at forhindre, at brugeren ved et uheld glider ud af sejlet.



Udformningen af løfteågets kroge forhindrer, at sejlet ved en fejl går løs, når det er monteret korrekt.



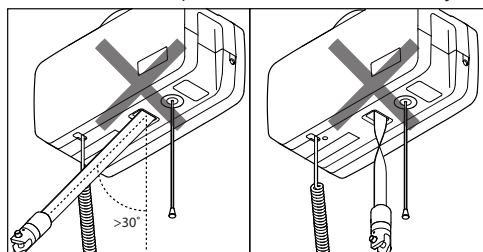
1. Sørg for, at sejlet er placeret korrekt omkring brugeren, og at stropløkker er fastgjort korrekt i krogene på løfteåget.
2. Stræk sejlstropperne uden at løfte brugeren. Kontrollér, at alle fire løkker på sejlet er fastgjort korrekt, så brugeren ikke glider eller falder ud.
3. Løft brugeren, og udfør forflytningen.



Brug ikke nødstopet til at slukke hejseværket, bortset fra nødsituationer. Hejseværket slukker automatisk (går i standby) efter 5 minutters inaktivitet.

Vinkelføler

Hejseværket har en retningssikkerhedsfunktion, som forhindrer løft, hvis vinklen på løfteremmen er for stejl.



Hvis hejseværket ikke reagerer på betjeningshåndsettets "op"-knap, kan det skyldes, at løfteremmens vinkel er for stejl, eller at løftebæltet er snoet, og føleren er aktiveret.

Tilbehør

Opladerledninger og -stik.

Stikadapter, EU, varenr. 2510365

Stikadapter, UK, varenr. 2510366

Stikadapter, US, varenr. 2510367

Stikadapter, AUS, varenr. 2510368

Ledning, EU, varenr. 1140105

Ledning, UK, varenr. 1140106

Ledning, US, varenr. 1140104

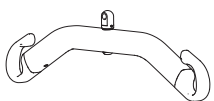
Ledning, AUS, varenr. 1140107

Vægbeslag til opladeren, varenr. 2610123

Løfteåg

Molift Air kan anvendes med 2- eller 4-punkts løfteåg.

Aluminumløfteåg



2-punkts lille, aluminium, 350 mm,

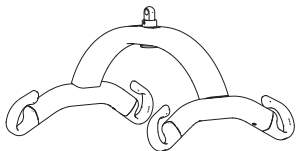
Varenr.: 2530115

2-punkts mellem, aluminium, 450 mm,

Varenr.: 2530120

2-punkts stor, aluminium, 550 mm,

Varenr.: 2530125



4-punkts lille, aluminium, 350 mm,

Varenr.: 2530210

4-punkts mellem, aluminium, 450 mm,

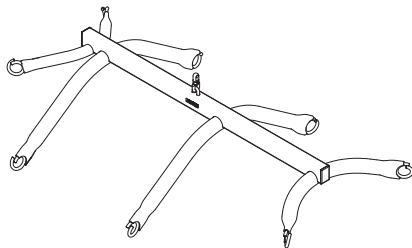
Varenr.: 2530211

4-punkts stor, aluminium, 550 mm,

Varenr.: 2530212

4-punkts ekstra stor, aluminium, 650 mm,

Varenr.: 2530213



8-punkts løfteåg til stofbære, stål

Varenr.: 2140003

Vægt

Molift-vægtsæt (uden løfteåg)

Varenr.: 1840000

Kan kombineres med alle kompatible Molift Air-løfteåg. Vægten er en godkendt klasse III-vægt. Vægten kan også beregne BMI (Body Mass Index) med et enkelt tryk. Læs vejledningen, som leveres sammen med vægten, før den tages i brug.

Sejl

Etac leverer et bredt udvalg af sejl til forskellige typer forflytning. Sejlserien Molift RgoSling er konstrueret til at blive kombineret med et 4-punkts løfteåg med stropløkker. Sejlene kan også benyttes sammen med et 2-punkts løfteåg. Kombinationslisten med den korrekte kombination af sejl og løfteåg findes i brugervejledningen til sejl.

Molift RgoSling-sejlserien leveres i størrelserne XXS-XXL, i polyester og polyesteret. En komplet liste over sejl og løfteåg findes på www.etac.com.

Molift Rgosling Mediumback Padded (XS-XXL)

Molift Rgosling Highback Padded (XS-XXL)

Molift Rgosling Mediumback Net (XXS-XXL)

Molift Rgosling Highback Net (XXS-XXL)

Molift Rgosling Toilet Lowback (XXS-XXL)

Molift Rgosling Toilet Highback (XXS-XXL)

Molift Rgosling Ampu Mediumback (XXS-XXL)

Molift Rgosling Ampu Highback (XXS-XXL)

Molift Rgosling Ambulating Vest

Molift Rgosling Comfort Highback (S-L)

Molift RgoSling Fabric Stretcher

Molift RgoSling Repositioning

Tillbehør:

Molift Rgosling Extension Loops

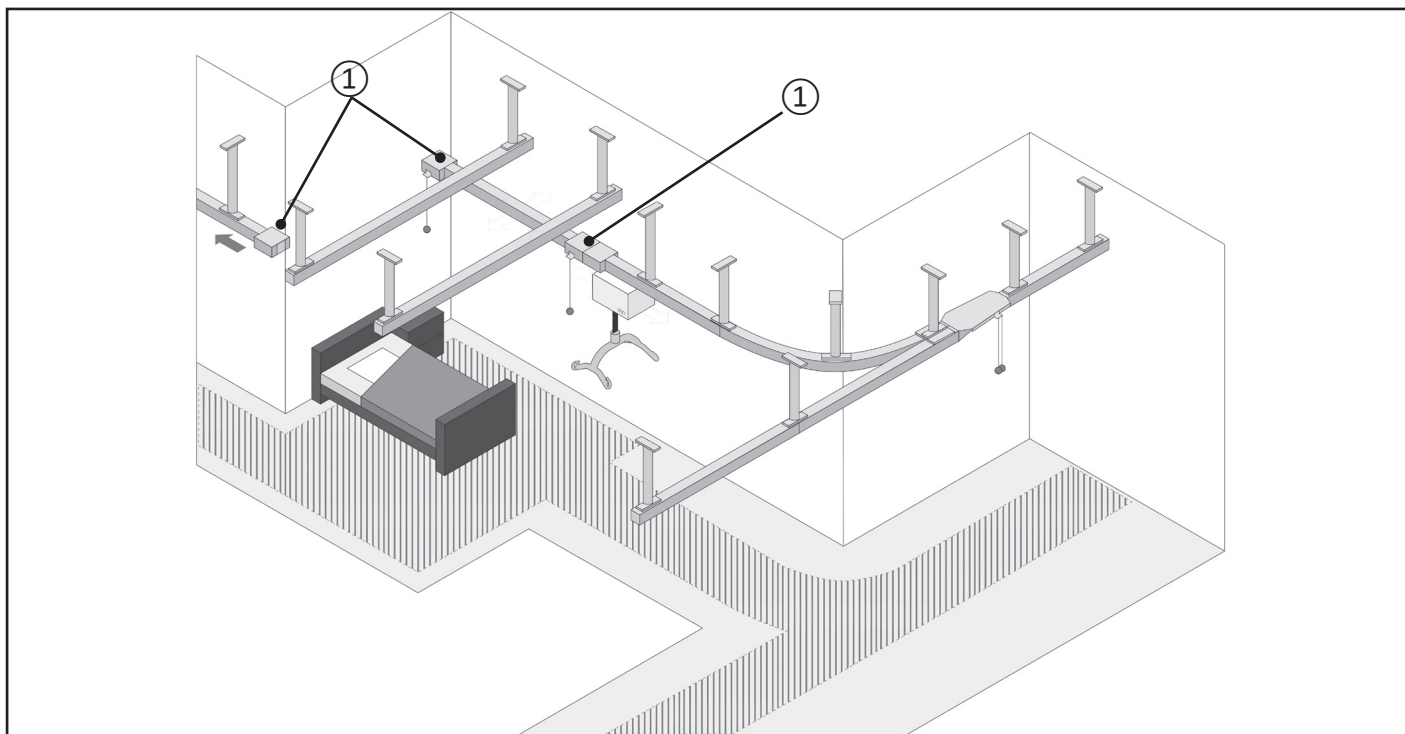
Art.nr.: 1721600

Molift Rgosling Ambulating Vest Groin strap (XXS-XL)

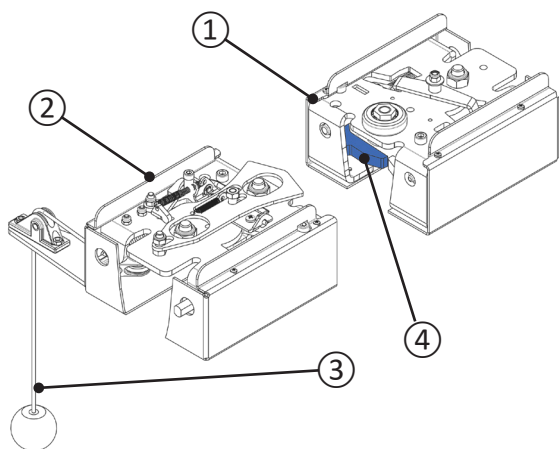
RgoSling Ambulating Vest-lyskestrop (XXS-XL)

Forflytningskobling

Nogle skinneresystemer har forflytningskoblinger ① monteret. Disse bruges til at forflytte brugeren fra ét skinneresystem til et andet, for eksempel mellem to forskellige rum.

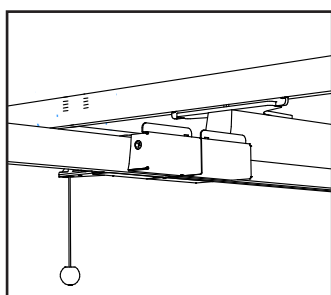


Komponenter

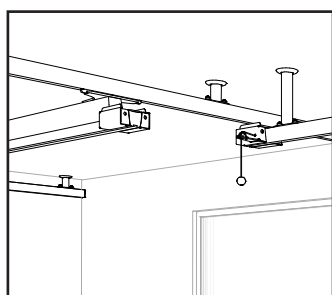


- ① Forflytningskoblingsenhed
- ② Forflytningskoblingsenhed med talje
- ③ Talje med greb
- ④ Port (to stk. pr. enhed)

Tilstande



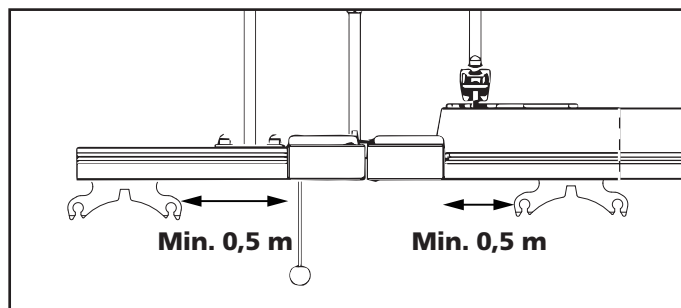
Tilkoblet



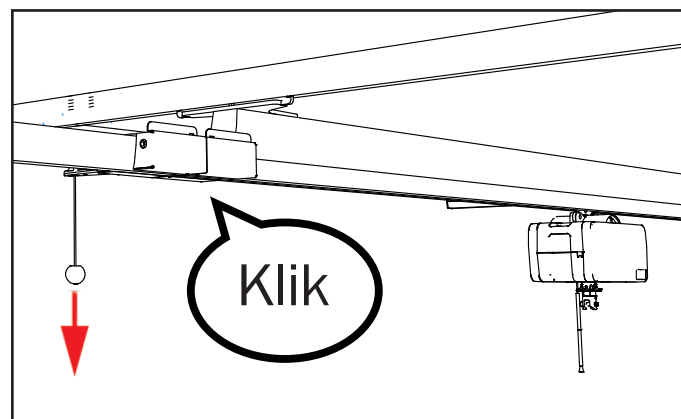
Frakoblet

Frakobling

Inden frakobling af forflytningskoblingen skal det sikres, at taljen er mindst 0,5 m fra forflytningskoblingsenheden.



Træk taljen ned, indtil den stopper. Du hører en lyd, der bekræfter frakobling.

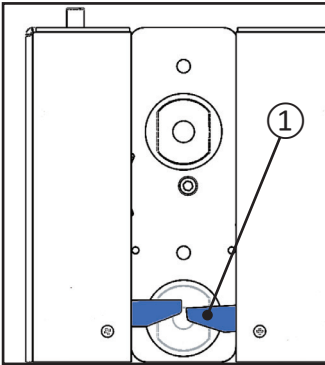


Forflytningskoblingen er nu frakoblet.

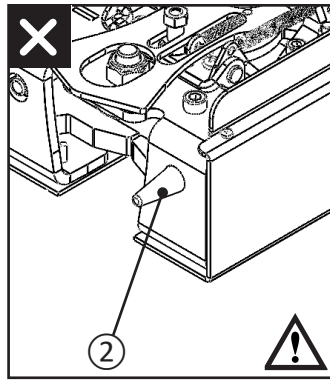
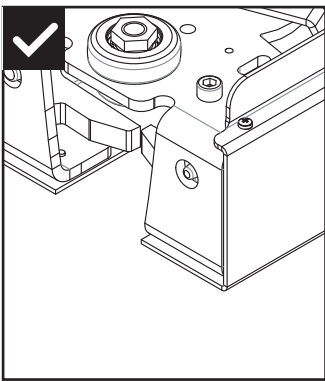
Forflytning – frakoblet forflytningskobling

Udfør ikke forflytning af brugeren, før du har kontrolleret følgende:

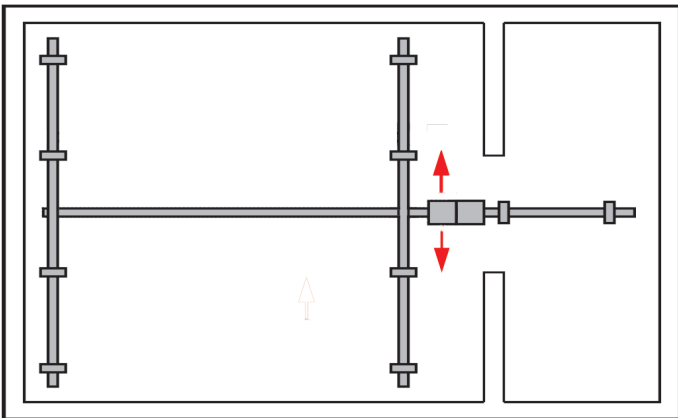
Begge porte ① er synlige (forflytningskoblingsenheden set nedefra).



Låsebolten ② må **ikke** være synlig, når koblingen er frakoblet.

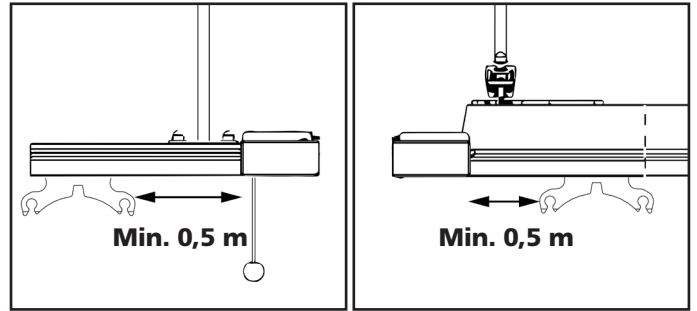


Skub tværskinnen i den ønskede retning.

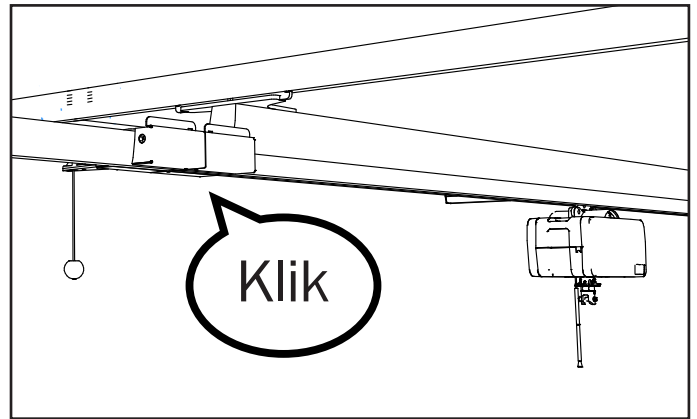


Tilkobling

Før forflytningskoblingerne tilkobles, skal det sikres, at taljen er mindst 0,5 m fra forflytningskoblingsenheden.



Skub tværskinnen mod den stationære skinne, så forflytningskoblingsenhederne tilkobles, og du hører en lyd.



Forflytning – tilkoblet forflytningskobling

Udfør ikke forflytning af brugeren, før du har kontrolleret, at forflytningskoblingsenhederne er låst helt sammen. Det må ikke være muligt at skubbe skinnerne fra hinanden med hånden. Brugeren kan nu forflyttes fra én skinne til en anden.

Rengøring/desinficering

Rengør regelmæssigt. Rengør overfladerne med en fugtig klud med et pH-neutralt rengøringsmiddel. Brug ikke opløsningsmidler eller stærke væsker, da dette kan ødelægge personløfterens overflader. Brug isopropylalkohol til desinficering, når det er nødvendigt. Undgå slibende rengøringsprodukter. Kontrollér nødstop og nødsænkning efter rengøring. Personløfteren må ikke udsættes for rindende vand. Ved montering i miljøer med risiko for fugt er det vigtigt, at skinnesystemet og motoren regelmæssigt vaskes og tørres. En komplet guide til reduktion af risikoen for korrosion fås på forespørgsel.



Kontrollér, at du ikke beskadiger eller fjerner mærkater under rengøringen.



Hejseværket og betjeningshåndsettet har kapslingsklasse IP24, hvilket angiver: >12,5 mm beskyttelse mod adgang til farlige dele, og at vandstænk i en vinkel på op til 60° fra lodret ikke har skadelig virkning.



Plejegiveren og den plejkrævende person eksponeres for følgende materialer: Polypropylen og polyester (sejl*), PC/ABS (betjeningshåndsett og hejseværkets dæksel), pulverlakeret aluminium, pulverlakeret zink (løfteåg).
* = Anvendt del



I sjældne tilfælde kan den plejkrævende person eller plejgiveren, som eksponeres for polypropylen eller polyester, få en allergisk reaktion såsom hudirritation, let kløe og øm hud.

Istandsættelse

Følg rengørings- og monteringsproceduren, udfør regelmæssig inspektion, og brug tjeklisten efter montering for at holde personløfteren i god stand.

Genbrug

Vejledningen om genbrug viser, hvordan du bortskaffer produktet korrekt. Den findes på www.etac.com.

Reservedele

Reservedelsliste kan rekvireres på forespørgsel.

Omfang af periodisk inspektion

Periodisk inspektion er en visuel undersøgelse (især af personløfterens vægtbærende struktur og løftmekanisme med fastgørelseselementer, bremsere, betjeningshåndtag, sikkerhedsenheder og personbærende enheder) i henhold til den periodiske inspektionsrapport for Molift Air 200 og 350.

Se www.etac.com.



Hvis der er nogen form for problemer med personløfteren, som kan bringe personers sikkerhed i fare, skal personløfteren omgående tages ud af brug og mærkes med "i uorden". Brug ikke personløfteren, før den er blevet repareret. Kontakt den lokale Molift/Etac forhandler/distributør for at indberette eventuelle problemer.

Den periodiske inspektion skal udføres mindst én gang om året og hyppigere, hvis det kræves af de lokale myndigheder. Inspektionen skal udføres af servicepersonale, som er godkendt af Etac. Kontakt Etac på molift@etac.com for uddannelse og godkendelse eller anbefaling af en godkendt servicepartner.

Under den periodiske inspektion skal inspektøren udfylde en inspektionsrapport for Molift Air. Rapporterne skal opbevares af den eller de personer, som er ansvarlige for at servicere personløfteren. Hvis inspektionen afslører defekter og skader, skal personløfteren tages ud af drift og mærkes med "ude af drift". Personløfteren må ikke anvendes, før den er repareret.

Fejlsøgning

Symptom	Mulig årsag/udbedring
Personløfteren reagerer ikke på betjeningshåndsettets handling	Nødstop er aktiveret. Deaktiver det ved at trykke knappen ind.
	Personløfterens elektronik er overophedet. Vent, til den er kølet ned.
	Betjeningshåndsettet er ikke tilsluttet korrekt. Betjeningshåndsettet, stikket eller ledningen kan være i stykker og skal udskiftes.
Personløfteren reagerer ikke på betjeningshåndsettets op-knap	Løfteremmens vinkelsensor er aktiveret. Justér løfteremmen, eller flyt hejseværket for at mindske løfteremmens vinkel.
Ved brug af elektrisk nødsænkning bevæger løftebåndet sig opad	Løftebåndet er helt ude og er blevet snoet den forkerte vej. Brug manuel nødsænkning.

Důležité

Tato příručka pro uživatele obsahuje důležité bezpečnostní pokyny a informace týkající se použití vaku a příslušenství. V této příručce je klientem zvedaná osoba. Ošetřovatelem je osoba obsluhující zvedák.

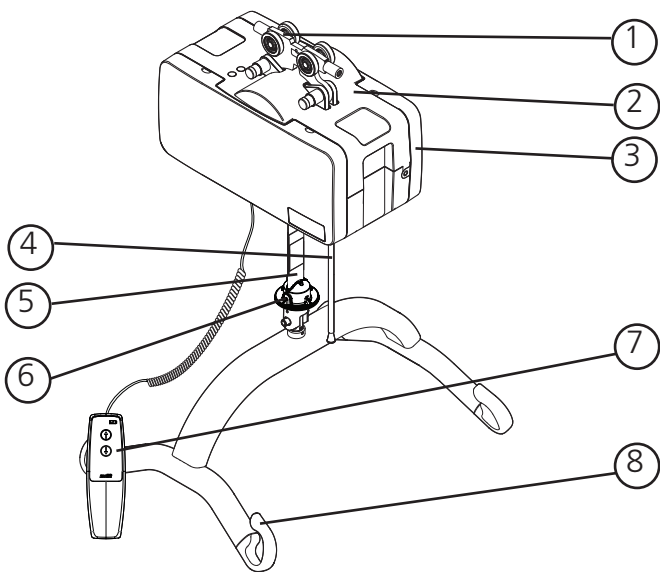


Tento symbol označuje důležité informace týkající se bezpečnosti. Dodržujte pečlivě tyto pokyny.



Před použitím si přečtěte tuto příručku! Je důležité plně porozumět obsahu této příručky pro uživatele, než se pokusíte zařízení použít.

Navštivte www.etac.com a stáhněte si dokumentaci, abyste měli nejnovější verzi.

Molift Air 200/350**Součásti zvedáku:**

1. Vozík
2. Zvedák
3. Boční kryty
4. Nouzové zastavení / nouzové spuštění
5. Zvedací pás
6. Kolík rychloupínací spojky
7. Ruční ovladač
8. Závěsné rameno

O zvedáku Molift Air

Molift Air je výkonný a snadno ovladatelný stropní zvedák, který umožňuje pohodlný a bezpečný přesun pacientů a klientů. Je vhodný pro přesuny v poloze vsedě, podélné přesuny, ale i pro nácvik stoje a chůze díky ucelenému programu příslušenství Molift. Zvedák Molift Air je vybaven lehkým motorem, který v kombinaci se systémem rychlospojky usnadňuje manipulaci při montáži a servisu.

Obecné informace

CE prohlášení
Výrobek a související příslušenství popsaná v tomto návodu k použití (návod) jsou ve shodě s nařízením Evropského parlamentu a Rady (EU) 2017/745 ze dne 5. dubna 2017 – jako zdravotnický prostředek rizikové třídy I. Výrobek byl testován a schválen třetí stranou v souladu s normami IEC 60601-1, IEC 60601-1-2 a EN/ISO 10535:2021. Jakákoli závažná nežádoucí příhoda, která se vyskytne v souvislosti s tímto zdravotnickým prostředkem, by měla být ohlášena výrobcí a příslušnému orgánu v členském státě, v němž je uživatel anebo pacient usazen.

Podmínky použití

Zvedání a přesuny osob vždy představují určité riziko, proto zařízení a příslušenství uvedená v této příručce pro uživatele smí používat pouze proškolený personál. Instalace kolejnicového systému musí být provedena kvalifikovanými pracovníky v souladu s příslušnými pokyny pro instalaci. Zvedák není určen k obsluze zvedaným klientem.

Modifikace a použití součástí od jiných výrobců.

Doporučujeme používat pouze komponenty a náhradní díly Molift. V případě provedení jakýchkoliv úprav tohoto výrobku není prohlášení o shodě platné a společnost Etac neposkytuje záruku. Společnost Etac nenes odpovědnost za chyby nebo nehody, k nimž může dojít, pokud se použijí součástky vyrobené jinými výrobci. Použití příslušenství, odpojitelých dílů a materiálů neuvedených v této příručce pro uživatele může být nebezpečné.



Otevírat zvedák nebo příslušenství za účelem provedení servisu či oprav je povoleno pouze kvalifikovaným pracovníkům. Nebezpečí poranění rotujícími částmi a úrazu elektrickým proudem.



Prohlášení o záruce
Na naše výrobky se vztahuje dvouletá záruka na vady zpracování a materiálů. Jednoletá záruka na baterie. Obchodní podmínky naleznete na adrese www.etac.com.

Definice

Osoba popsaná v tomto návodu k použití jako „uživatel“ je osoba, která sedí ve výrobku. „Ošetřovatel“ je osoba, která s výrobkem manipuluje.

Určený účel

Používá se ke zvedání a přesunu uživatelů, kteří vyžadují oporu při zvedání nebo přesunu v rámci kolejnicového systému, jako např. z lůžka, podlahy, invalidního vozíku, sprchové toaletní židle, toalety aj. a zpět. Také k nácviku chůze v kombinaci s vestou pro nácvik chůze.

Určená cílová skupina

Používá se pro uživatele, kteří vyžadují podporu při zvedání a přesunu, nebo během nácviku chůze, např. osoby s omezenou schopností pohybu a vyžadující při přesunech oporu těla. Nejedná se o kompletní seznam.

Určené prostředí

Pro použití v interiéru v rámci kolejnicového systému v akutní, dlouhodobé a domácí péči.

Indikace

Tento prostředek lze používat u dětí, dospělých a starších osob, kteří vyžadují oporu při zvedání a přesunu nebo při nácviku chůze v rámci kolejnicového systému.

Cílová skupina tohoto prostředku je dána individuálním zdravotním stavem a úrovní mobility, nikoli specifickou diagnózou nebo věkem.

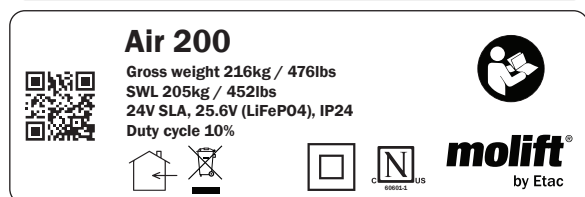
Kontraindikace

Nejsou známy žádné kontraindikace v souvislosti se zvedákem, dbejte však na to, aby vak vyhovoval uživateli.

Identifikace výrobku






Štítek výrobku

Čárový kód na štítku výrobku obsahuje číslo výrobku, sériové číslo a datum výroby:



Výstražné štítky a symboly

Podrobněji vysvětlené symboly použité u tohoto výrobku:

-  Třída II s dvojitou izolací
-  Označení CE
-  Viz příručka pro uživatele
-  Použití pouze v interiéru
-  Max. hmotnost uživatele
255 kg / 560 lbs
-  Nelikvidujte spolu se směsným odpadem
-  Nouzové zastavení / nouzové spuštění
-  Indikátor servisu
-  Indikátor baterie
-  Symbol šestihraného nástroje pro ruční nouzové spuštění
-  Značka certifikačního orgánu
-  Omezení vlhkosti
-  Omezení atmosférického tlaku
-  Omezení teploty
-  Výrobce
-  Datum výroby
YYYY-MM-DD
-  REF Katalogové číslo
-  SN Sériové číslo
-  MD Zdravotnický prostředek

Technické údaje

Bezpečné pracovní zatížení (SWL)

Molift Air 200: SWL = 205 kg (450 lbs)

Volitelný rozsah SWL (nastavení) = 160–205 kg

Molift Air 350: SWL = 350 kg (771 lbs)

Volitelný rozsah SWL (nastavení) 160–350 kg

Hmotnost jednotky:

Podvozek včetně baterie, bez závěsného ramene:

8,56 kg (18,87 lb)

Čtyřbodové střední závěsné rameno: 2,2 kg/4,8 lb

Baterie:

Výrobek: 2920204 25.6 V LiFePO4 2.4 Ah

Výrobek: 2920007 12 V SLA 2.9 Ah

Nabíječka baterie:

Nabíječka ručního ovladače, Mascot – typ 3743

Č. výrobku: 2540100

100–240 V AC, 50–60 Hz max. 0,5 A

Výstup 0,9 A

Napájení IRC, Mascot – typ 3721

Č. výrobku: 2610119

Vstup: 100–240 V AC, 50–60 Hz max. 1.0 A

Výstup: 24 V DC 1,75 A/42 W

Nabíječka IRC, Mascot – typ 3844

Č. výrobku: 2640200

Vstup: 20–30 V DC 1,3 A

Výstup 0,5 A

Rychlost zvedání

60 mm/s (2,36 in/s)

se zatížením 75 kg (165,35 lb)

Otáčky motoru

0,2 m/s (7,87 in/s)

Třída ochrany

Ruční ovladač IP24

Zvedací motor IP24

Akustický tlak

52 dBA

Akustický výkon (L_{WA})

63 dB

Tlačítko ovládání

Tlačítka na ovladači: 3,4 N

Materiál:

Hliník, plast, ocel

Předpokládaná životnost:

Zvedák má předpokládanou životnost 30 000 cyklů při SWL nebo 10 let.

Rozměry:

D × Š × V (délka, šířka, výška bez vozíku)

36 × 19 × 19,5 cm

(14,2 × 7,5 × 7,7 in)

Rozsah zdvihu A Air 200:

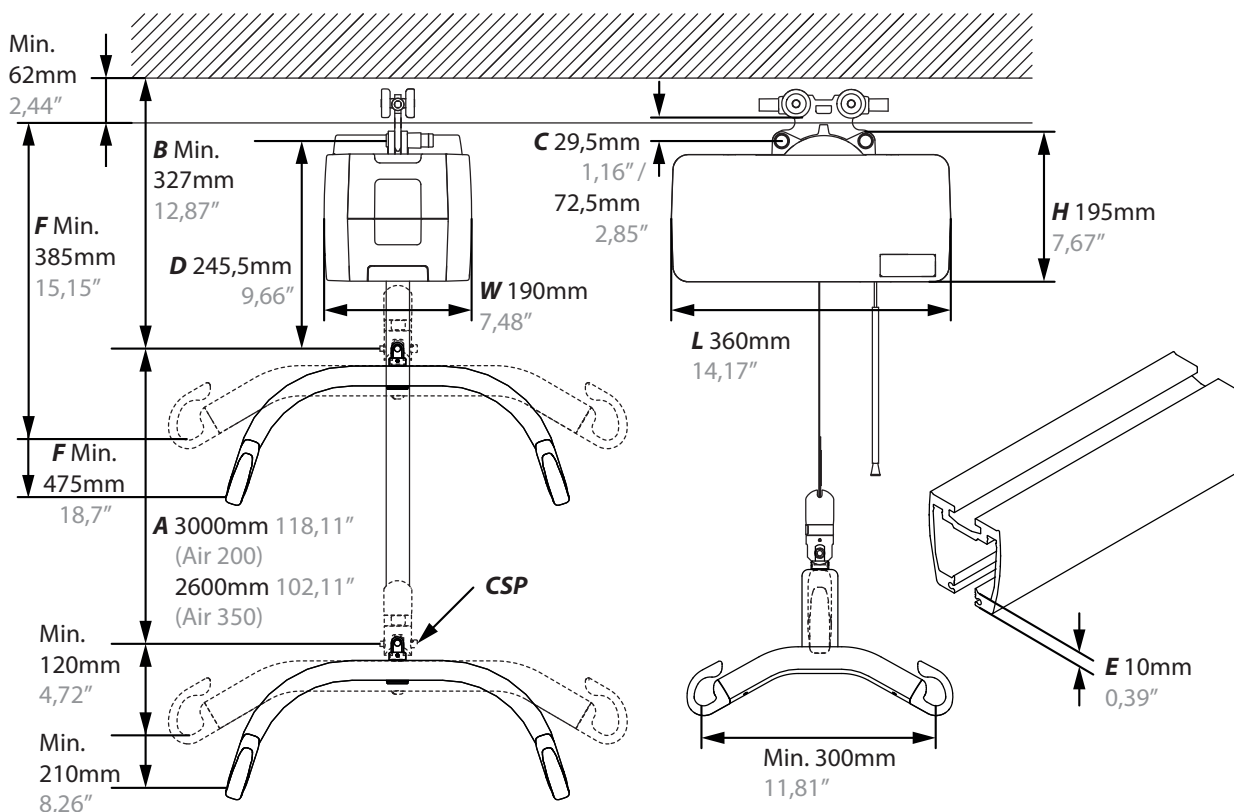
300 cm (118 in)

Rozsah zdvihu Air 350:

260 cm (102 in)

B (minimální vzdálenost od stropu k připojovacímu bodu závěsného ramene) 32,7 cm (12,7/8 in)

Podrobné informace o technických údajích a tom, jak provádět servis a opravy, naleznete v technické příručce.



Instalace

Na zvedáku je uvedeno bezpečné pracovní zatížení (SWL), jehož hodnota by neměla překročit maximální nosnost kolejnicových systémů.

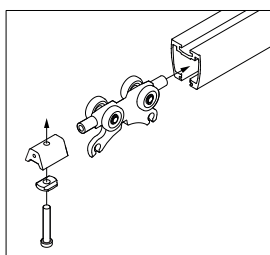


Instalace kolejnicového systému může být provedena pouze kvalifikovanými pracovníky v souladu s příslušnými pokyny pro instalaci.



Po dokončení instalace zvedák nepoužívejte, dokud neprovedete jeho kontrolu podle kontrolního seznamu.

Instalace vozíku



Instalace vozíku na kolejnicový systém. Odstraňte koncovou záračku a zasuňte vozík do kolejnice. Nasaďte koncovou záračku a ujistěte se, že je bezpečně upevněna. Podrobné informace o instalaci naleznete v části BM3401. Etac nabízí vozík pro montáž zvedáků Molift do kolejnicových systémů od jiných výrobců. Kontaktujte svého místního zástupce společnosti Etac pro více informací o vozech kompatibilních s kolejnicovými systémy jiných výrobců.

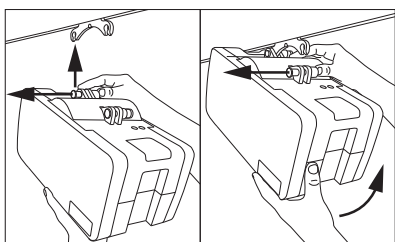


Před použitím zvedáku se ujistěte, že jsou na všech koncích kolejnicového systému nainstalovány koncové záračky!

Instalace zvedáku

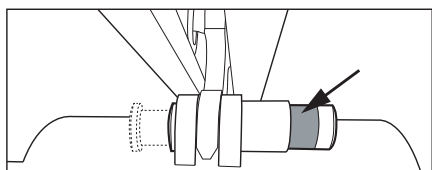


Při práci ve výškách dbejte opatrnosti. Doporučujeme, aby instalaci prováděli dva nebo více pracovníků, aby během instalace nedošlo ke ztrátě rovnováhy a poranění!



Instalace zvedáku na vozík. Nejsou vyžadovány žádné nástroje. Zvedák má dva připojovací body.

Nejprve připojte jeden bod. Stiskněte tlačítko až nadoraz a zvedák přesuňte do připojovacího bodu na vozíku. Uvolněte tlačítko a zkontrolujte, zda svítí zeleně, než připojíte další bod.



Po instalaci ověřte, zda se tlačítka obou připojovacích bodů vrátila do původní pozice a zda svítí zeleně. Šňůru a trubici nouzového spuštění lze upravit na správnou délku (výšku) odříznutím části trubice a šňůry.

Instalace

Pomocí tohoto kontrolního seznamu před použitím ověřte, že je zvedák správně nainstalován a že je možné ho správně a bezpečně obsluhovat.

- Koncové záračky na kolejnici se instalují po montáži vozíku, jak je popsáno v části BM3401
- Ujistěte se, že je zvedák řádně upevněn ke kolejnici a že na něm nejsou žádné uvolněné části.
- Proveďte jedno zvednutí se zatížením (60–80 kg)
- Ujistěte se, že je baterie plně nabitá.

Jak používat zvedák Molift Air

Obecná bezpečnostní opatření

Používejte pouze příslušenství a vaky, které jsou přizpůsobeny tak, aby vyhovovaly klientovi, typu jeho postižení, velikosti, hmotnosti a přesunu.

Poměr pracovní pauzy / pracovního cyklu.

Zvedák Molift Air 200/350 by neměl být v provozu po nepřetržitou dobu delší než 2 minuty (při maximálním zatížení) a v klidovém stavu by měl být nejméně 18 minut. Pracovní cyklus 10 %. (Přerušeni v souladu s normou ISO-EN 10535)



Neumísťujte zvedák tak, aby bylo obtížné odpojit síťový kabel. Chcete-li systém izolovat, vytáhněte síťový kabel z elektrické zásuvky ve zdi.



Pokud se liší maximální zatížení (SWL) závěsného ramene a zařízení poskytujícího oporu těla, vždy se použije nejnižší maximální zatížení



Zvedáky Molift se smí používat pouze ke zvedání klientů. Zvedák nikdy nepoužívejte ke zvedání jakýchkoliv předmětů.

Před použitím / každodenní kontrola

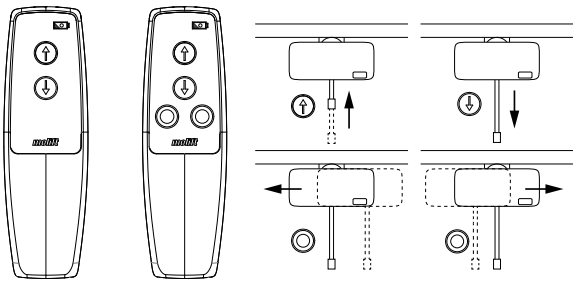
Kontrola, která by měla být prováděna ošetřovatelem každý den nebo před použitím:

- Zkontrolujte zvedák a kolejnicový systém, zda na nich nejsou patrné známky poškození, vady nebo deformace
- Ujistěte se, že připojení závěsného ramene a všech odpojitelných součástí jsou řádně připojena a zajištěna
- Vyzkoušejte tlačítko nouzového zastavení a nouzového spuštění
- Zkontrolujte, zda nesvítí indikátor baterie nebo servisu
- Ověřte, že na zvedacím popruhu není žádné viditelné poškození a že není roztřepený.
- Vyzkoušejte funkce zvedáku a ujistěte se, že zvedák nevydává žádné neobvyklé zvuky

V případě zjištění jakékoli závady nebo nedostatku, je třeba zvedák přestat používat a označit jej nápisem „mimo provoz“. Na zvedáku Molift Air by neměl být prováděn servis nebo údržba jakýchkoli částí, zatímco je používán k přesunu pacienta.

Ruční ovladač

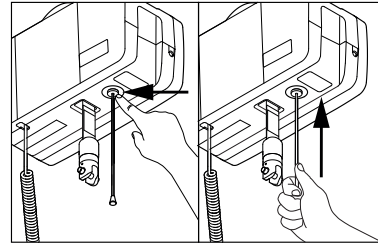
Ruční ovladač je vybaven 2 tlačítky pro zvedání a spouštění, nebo 4 tlačítky, je-li zvedák vybaven pohonem. Na ručním ovladači je světelný indikátor, který se rozsvítí, jakmile je baterie téměř vybitá a zvedák vyžaduje dobítí



K přemísťování zvedáku po kolejnici nepoužívejte ruční ovladač



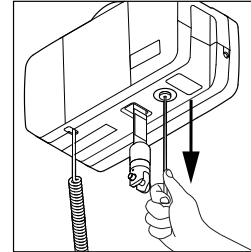
Zvedák nebude funkční, pokud je ruční ovladač připojen k nabíječce. Před obsluhou zvedáku nejprve odpojte ruční ovladač od nabíječky.



K zatlačení tlačítka a resetování nouzového zastavení použijte prst nebo trubici na šňůře.

Elektricky poháněné nouzové spuštění

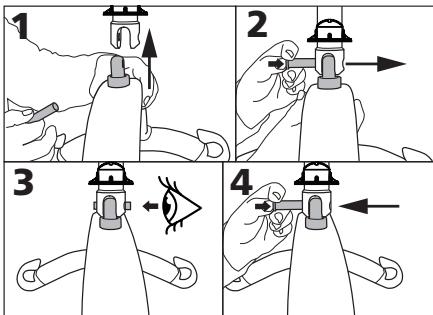
Pro zahájení spouštění zatáhněte a přidržte. Přidržujte až do úplného spuštění klienta, kdy je možné ho odpojit od závěsného ramene.



Určeno pouze pro nouzové použití, kdy ruční ovladač není funkční!

Ruční nouzové spuštění

Instalace závěsného ramene

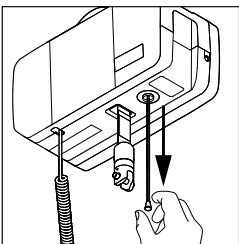


1. Vyrovnajte závěsné rameno v připojovacím bodě.
2. Stiskněte tlačítko na zajišťovacím čepu a zcela jej zasuňte.
3. Dbejte na to, aby byl zajišťovací čep řádně upevněn
4. Stiskněte a přidržte tlačítko na zajišťovacím čepu a poté jej vytáhněte.

Nouzové zastavení / nouzové spuštění

Nouzové zastavení

Aktivace a resetování nouzového zastavení:

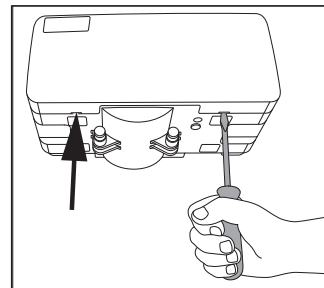


Zatažením aktivujte nouzové zastavení. Tlačítko se vysune a zvedák se zastaví.

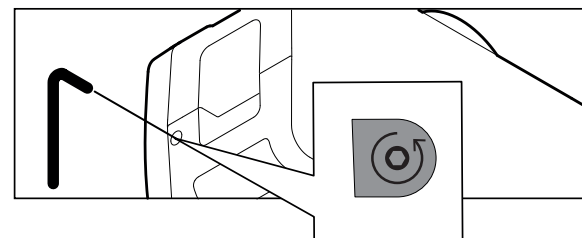


Ruční nouzové spuštění smí provádět pouze servisní personál!

Uvnitř zvedáku se nachází inbusový klíč nebo bit pro elektrickou vrtačku. Odstraňte kryt a najděte jej.



Plochým šroubovákem nebo mincí zasunutými do dvou drážek zatlačte kryt směrem ven a otevřete. Najděte nálepku nad otvorem pro ruční nouzové spuštění. Propíchněte nebo odstraňte nálepku a vložte do otvoru nástroj. Pro spuštění zvedacího pásu otočte proti směru chodu hodinových ručiček. Doporučujeme použít elektrickou vrtačku.



Servis NENÍ nutný, pokud:

- 1) ruční nouzové spuštění zvedáku je použito ze známého důvodu
- 2) pás není poškozený
- 3) zařízení po ručním nouzovém spuštění funguje normálně

K tomu přispěje nová funkce přerušení brzdění tím, že sníží namáhání součástí zvedáku během ručního nouzového spuštění. Pokud u zařízení došlo k poruše z neznámého důvodu a byl použit systém ručního nouzového spuštění, je nutné provést servis.

Elektronika

Doprava a skladování

V případě dlouhodobého skladování se doporučuje aktivovat tlačítko nouzového zastavení (vytažením). Zvedák je možno skladovat a přepravovat při teplotách od -25 do 70 °C.

Provoz

Zvedák je určen k použití při běžné pokojové teplotě (+5 až +40 °C).

Tlak vzduchu: 70–106 kPa

Relativní vlhkost: 15–90%

Po skladování nebo přepravě při jiných teplotách ponechte zvedák v místnosti s vhodnou teplotou, aby dosáhl bezpečné provozní teploty.



Zdravotnické elektrické přístroje vyžadují zvláštní opatření týkající se elektromagnetické kompatibility (EMC). Přenosná nebo mobilní radiokomunikační zařízení mohou zdravotnické elektrické přístroje ovlivňovat, a měla by být proto umístěna v minimální vzdálenosti 25 cm (10 palců) od elektronického zařízení zvedáku.

Baterie

Molift Air 200/350 je dostupný se 2 bateriemi 12 V SLA, nebo jednou baterií 25,6 V LiFePO4.

Baterie SLA má životnost přibližně 500 nabíjecích cyklů.

Baterie LiFePO4 má životnost přibližně 2 000 nabíjecích cyklů.





Po dodání a poté každých šest měsíců baterii dobijte, abyste předešli jejímu selhání.



Baterie se musí zlikvidovat jako zvláštní odpad v souladu s místními pravidly a předpisy. Nelikvidujte spolu se směsným odpadem. Výměna lithiových baterií nebo palivových článků nedostatečně vyškoleným personálem může vést k nebezpečné situaci

Indikátor baterie a servisu na zvedáku







	Symbol klíče / indikátor servisu
	Symbol baterie / indikátor baterie

Elektrický systém je vybaven funkcí úspory energie, která vypne elektrický systém 5 minut od posledního pracovního úkonu. Všechny indikátory zhasnou.

Systém se aktivuje stisknutím jednoho z ovládacích tlačítek na ručním ovladači.

Indikátor baterie na zvedáku

Když víceúrovňový indikátor baterie svítí žlutě, má zvedák dostatek energie alespoň pro jeden celý cyklus zvedání při maximálním zatížení. Pokud baterie bliká žlutě, je možné pouze spustit závěsné rameno.

Indikátor baterie	Úroveň nabití baterie
	Zelená 80 % nebo více
	Zelená 80–60 %
	Zelená 60–40 %
	Zelená 40–20 %
	Žlutá 20–0 %
	Bliká žlutě 0 %

Indikátor servisu / pravidelné kontroly

Elektronické zařízení zvedáku zaznamenává zvedanou hmotnost a počet zvednutí. Po určité době provozu se objeví signál oznamující nutnost provedení servisu.

Indikátor servisu	Režim
Světlo nesvítí	Servis není nutný
Žlutá	Je nutná pravidelná kontrola
Bliká zeleně	Objednejte servis
Červená	Provedte servis

Rozsah servisu

Jakmile zvedák provede určitý počet zdvihů (5000 zdvihů s maximální povolenou hmotností (SWL)), rozsvítí se indikátor servisu červeně.

V tom případě je nutné, aby pověřený pracovník provedl servis, včetně kontroly a výměny opotřebovaných součástí.

Potřebujete-li vyhledat schváleného servisního partnera, kontaktujte svého místního obchodního zástupce společnosti Etac, nebo navštivte web etac.com.

Nabíjení

Zvedák Molift Air lze nabíjet nabíječkou pomocí ručního ovladače, nebo prostřednictvím kolejnice s funkcí nabíjení v kolejnici IRC (In Rail Charging).

Indikátor na nabíječce a indikátor napájení

Indikátor nabíječky	Režim
Bliká zeleně	Není připojena ke zvedáku
Žlutá	Nabíjení
Bliká žlutě	Nabíjení na nejvyšší úroveň
Zelená	Plně nabito

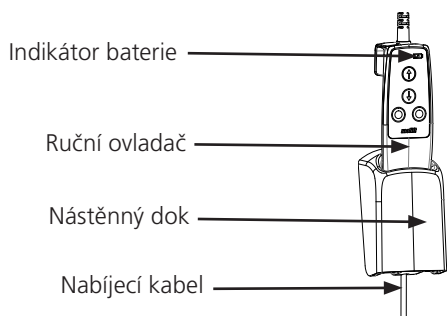
Indikátor napájení	Režim
Modrá	Připojeno k elektrické zásuvce

Nabíjení ručním ovladačem

Nabíječka je zapojena do elektrické zásuvky. Je k dispozici nástěnný dok pro ruční ovladač. Dbejte na to, abyste nepoškodili kabel.

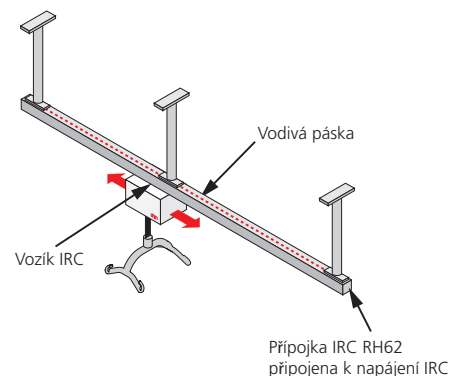
Nabíječku lze kdykoliv připojit k elektrické zásuvce. Používejte pouze nabíječky Molift. Na ručním ovladači je světelný indikátor, který se rozsvítí, jakmile je baterie téměř vybitá a zvedák vyžaduje dobítí.

Nabíječka pro ruční ovladač Molift Air: Č. výrobku: 2540100

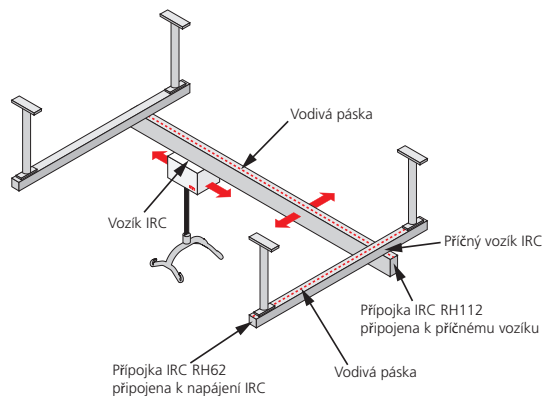


IRC (In Rail Charging) – nabíjení v kolejnici

Zvedák se nabíjí pomocí vestavěné nabíječky v jeho motoru, která zajišťuje průběžné dobíjení po celé délce kolejnicového systému. Zvedák Molift Air IRC má vestavěnou nabíječku připojenou k baterii. Musí být instalován s vozíkem IRC v kolejnicovém systému s vodivou páskou. Vozík IRC je připojen k nabíječce baterií uvnitř zvedáku Molift Air IRC. Vozík IRC je v trvalém kontaktu s vodivou páskou v kolejnici. Napájení IRC je připojeno k vodivé pásce prostřednictvím připojení IRC na konci kolejnice a napájí nabíječku baterie uvnitř zvedáku Molift Air IRC.



Funkce IRC je vhodná pro jednokolejné i traverzní systémy.



Napájení IRC

Č. výrobku: 2510119

Nabíječka 3844 DC/DC (součást Molift Air IRC)

Č. výrobku: 2640101

Přesun

Zvedání si naplánujte předem, aby byla zajištěna co největší bezpečnost a plynulost. Dbejte na to, abyste pracovali ergonomicky. Vyhodnoťte rizika a udělejte si poznámky. Za bezpečnost uživatele odpovídá asistent.

Molift Air lze použít s dvoubodovým i čtyřbodovým závěsným ramenem vhodným pro různé druhy přesunu – v poloze vsedě, vleže nebo vestoje.

Použití vaků

Je důležité vyzkoušet vak pro použití s konkrétním uživatelem a pro určený druh zvedání.



Před použitím vaku si přečtěte jeho příručku pro uživatele.



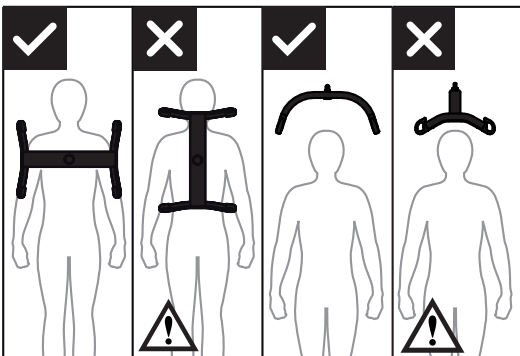
Nepoužívejte poškozené nebo silně opotřebované vaky.

Vaky jiných výrobců

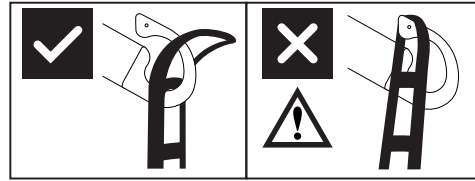
Priporúčamo uporabo zank Etac ali Molift. Dvigalo je mogoče kombinirati z zankami drugih proizvajalcev s podobnimi zankami za obešanje. Obiščite www.etac.com za izjave o združljivosti med dvigali in zankami drugih proizvajalcev. Upoštevajte, da je za dejavnost odgovorna fizična ali pravna oseba, ki uporablja združljive naprave z oznako CE različnih dobaviteljev. Etac zato ne more biti odgovoren za noben incident.

Zvedání a spouštění

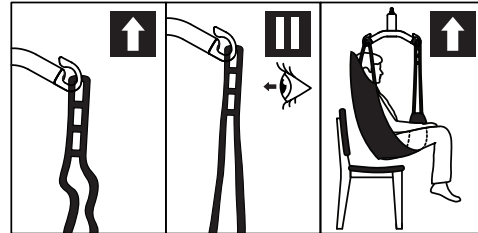
Během přesunu klienta stůjte při zvedání po jeho boku. Dbejte na to, aby ruce a nohy neblokovaly sedadlo, lůžko atd. Udržujte s klientem oční kontakt, aby se cítil v bezpečí.



Čtyřbodové závěsné rameno musí být vždy umístěno příčně ke klientovi, aby se zabránilo náhodnému vyklouznutí klienta z vaku.



Konstrukce háku ramene brání náhodnému odepnutí vaku, je-li připevněn správně.



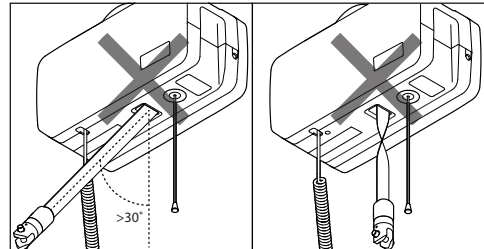
1. Zkontrolujte, zda je vak správně upevněn kolem těla klienta a zda poutka popruhů jsou správně připnuta k hákům závěsného ramene.
2. Napněte popruhy vaku, aniž byste klienta zvedli. Zkontrolujte, zda jsou všechna čtyři poutka vaku bezpečně připnuta, aby nedošlo k pádu nebo uklouznutí klienta.
3. Zvedněte klienta a proveďte přesun.



Nepoužívejte nouzové zastavení k vypnutí zvedáku s výjimkou nouzové situace. Zvedák se vypne automaticky (pohotovostní režim) po 5 minutách nečinnosti.

Senzor úhlu

Zvedák je vybaven bezpečnostní směrovou funkcí, která brání zvednutí, pokud je úhel zvedacího popruhu příliš strmý.



Jestliže zvedák nereaguje na stlačení tlačítka „nahoru“ na ručním ovladači, příčinou může být příliš strmý úhel zvedacího popruhu, nebo je zvedací pás překroucený a byl aktivován senzor.

Příslušenství

Nabíjecí kabely a zástrčky.

Adaptér zástrčky EU, č. výrobku 2510365

Adaptér zástrčky UK, č. výrobku 2510366

Adaptér zástrčky US, č. výrobku 2510367

Adaptér zástrčky AUS, č. výrobku 2510368

Kabel EU, č. výrobku 1140105

Kabel UK, č. výrobku 1140106

Kabel US, č. výrobku 1140104

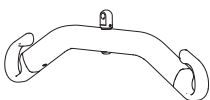
Kabel AUS, č. výrobku 1140107

Nástěnný držák pro nabíječku, č. výrobku 2610123

Závěsná ramena

Zvedák Molift Air lze použít s dvoubodovým nebo čtyřbodovým závěsným ramenem.

Hliníkové závěsné rameno



Dvoubodové, malé, hliník, 350 mm,

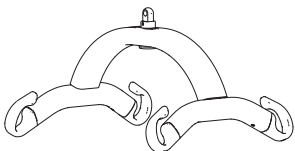
Č. výrobku: 2530115

Dvoubodové, střední, hliník, 450 mm,

Č. výrobku: 2530120

Dvoubodové, velké, hliník, 550 mm,

Č. výrobku: 2530125



Čtyřbodové, malé, hliník, 350 mm,

Č. výrobku: 2530210

Čtyřbodové, střední, hliník, 450 mm,

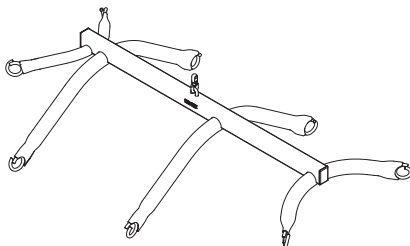
Č. výrobku: 2530211

Čtyřbodové, velké, hliník, 550 mm,

Č. výrobku: 2530212

Čtyřbodové, extra velké, hliník, 650 mm,

Č. výrobku: 2530213



Osmibodové závěsné rameno pro textilní lehátko, ocel

Č. výrobku: 2140003

Váha

Sada váhy Molift (bez závěsného ramene)

Č. výrobku: 1840000

Lze kombinovat se všemi závěsnými rameny kompatibilními se zvedákem Molift Air. Váha je schválena jako zařízení třídy III. Jediným dotekem také dokáže vypočítat BMI (Body Mass Index). Před použitím si přečtěte návod k použití váhy.

Vaky

Etac nabízí široký výběr vaků vhodných pro různé druhy přesunů. Série závěsů Molift RgoSling je vyvinuta tak, aby byla kombinována se 4-bodovou závěsnou tyčí se smyčkovým připojením. Vaky fungují také s 2-bodovou závěsnou tyčí. Správnou kombinací vaků a závěsných ramen naleznete v seznamu kombinací v příručce pro uživatele k příslušným vakům. Řada vaků Molift RgoSling je dostupná ve velikostech XXS–XXL a je vyrobena z polyesteru a polyesterové síťoviny. Úplný seznam vaků a závěsných ramen najdete na webu www.etac.com.

Molift Rgosling Mediumback Padded (XS-XXL)

Molift Rgosling Highback Padded (XS-XXL)

Molift Rgosling Mediumback Net (XXS-XXL)

Molift Rgosling Highback Net (XXS-XXL)

Molift Rgosling Toilet Lowback (XXS-XXL)

Molift Rgosling Toilet Highback (XXS-XXL)

Molift Rgosling Ampu Mediumback (XXS-XXL)

Molift Rgosling Ampu Highback (XXS-XXL)

Molift Rgosling Ambulating Vest

Molift Rgosling Comfort Highback (S-L)

Molift RgoSling Fabric Stretcher

Molift RgoSling Repositioning

Tillbehör:

Molift Rgosling Extension Loops

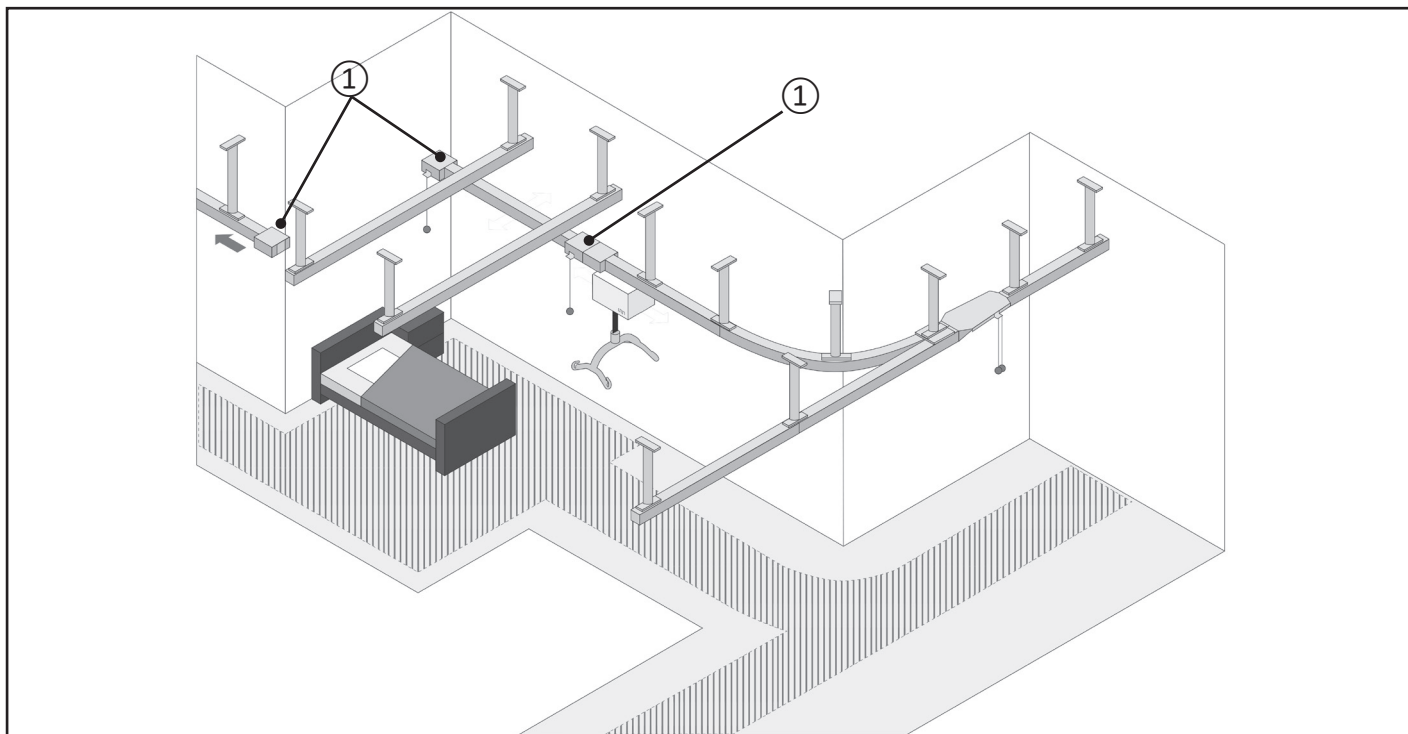
Art.nr.: 1721600

Molift Rgosling Ambulating Vest Groin strap (XXS-XL)

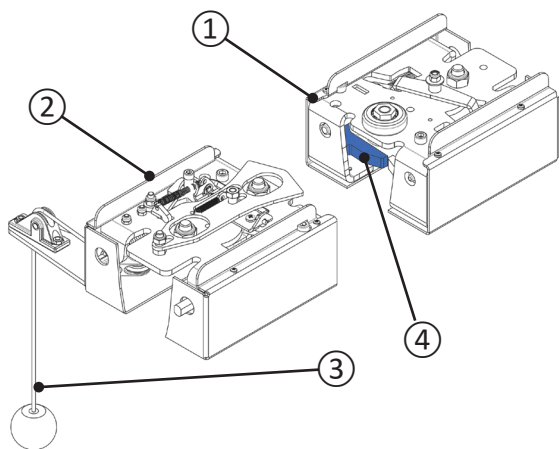
RgoSling Ambulating Vest-lyskestrop (XXS-XL)

Přechodová spojka

Některé kolejnicové systémy jsou vybaveny přechodovou spojkou ①. Slouží k přesunu uživatele z jednoho kolejnicového systému na druhý, např. mezi dvěma místnostmi.

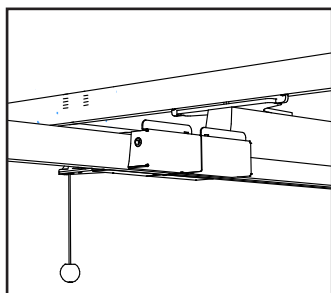


Součásti

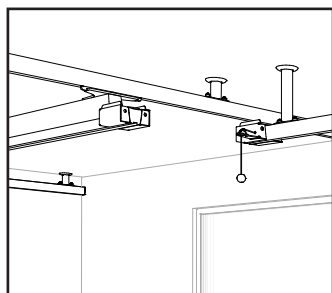


- ① Jednotka přechodové spojky
- ② Jednotka přechodové spojky s kladkou
- ③ Kladka s knoflíkem
- ④ Brána (2 kusy na jednotku)

Státy



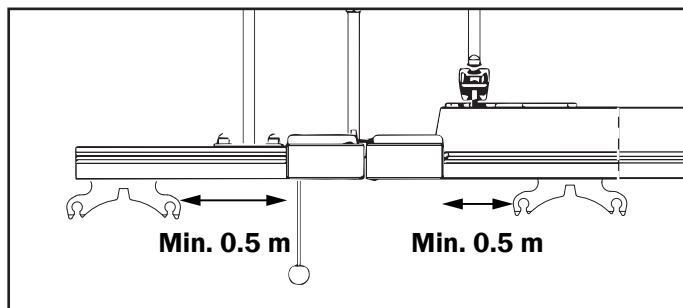
Připojeno



Odpojeno

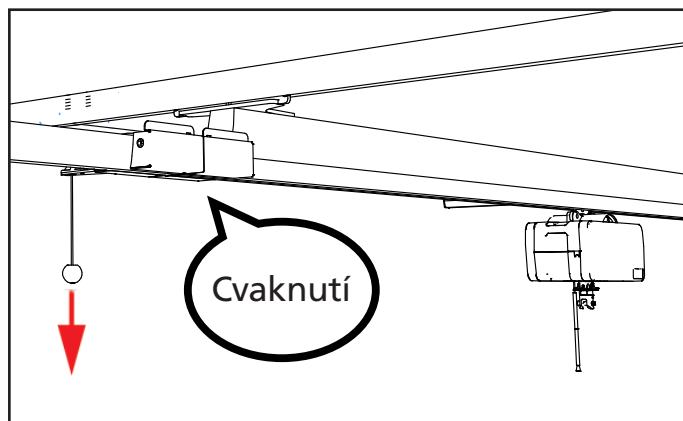
Odpojení

Před odpojením přechodové spojky se ujistěte, že je od ní vozík vzdálený alespoň 0,5 m.



Stáhněte kladku dolů až nadoraz.

Zazní zvukový signál potvrzující odpojení.

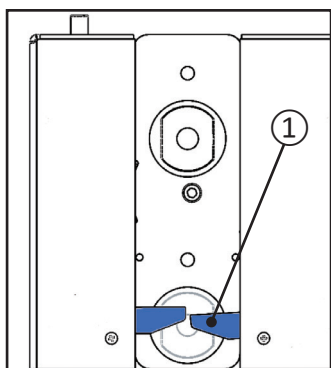


Přechodová spojka je nyní odpojena.

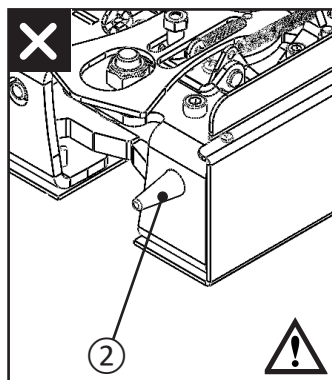
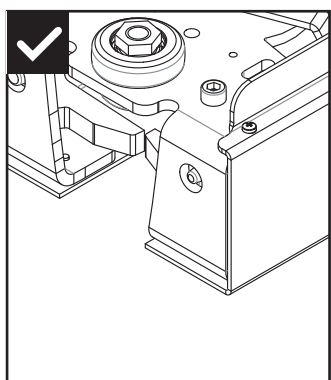
Přesun – odpojená přechodová spojka

Neprovádějte přesun uživatele, dokud nekontrolujete následující:

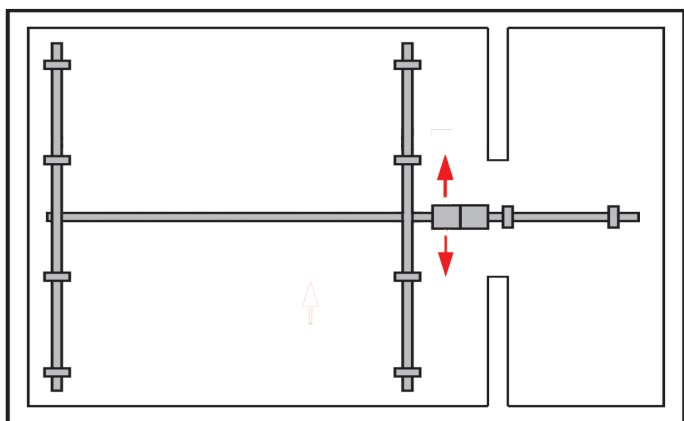
Obě brány ① jsou viditelné (jednotka přechodové spojky je viditelná zdola).



Pojistný šroub ② **nesmí** být viditelný, pokud je spojka odpojená.

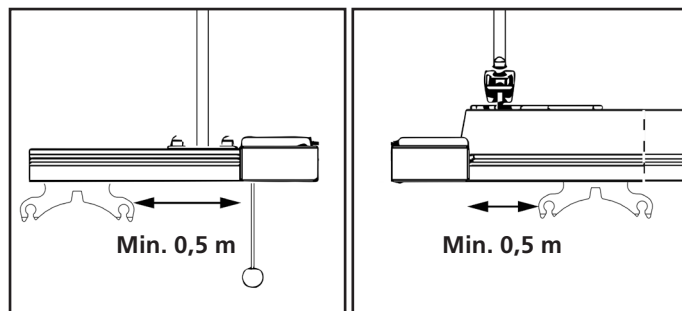


Příčnou kolejnici posuňte požadovaným směrem.

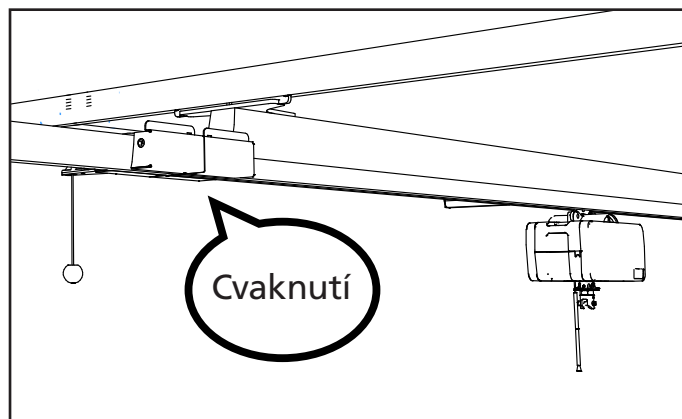


Připojení

Před připojením jednotky přechodové spojky se ujistěte, že je od ní vozík vzdálený alespoň 0,5 m.



Příčnou kolejnici zatlačte směrem ke stacionární kolejnici tak, aby se přechodové spojky spojily a byl slyšitelný zvuk.



Přesun – připojená přechodová spojka

Neprovádějte přesun uživatele, dokud nekontrolujete, že jednotky přechodové spojky jsou pevně spojené. Kolejnice není možné od sebe ručně odsunout.

Uživatel je nyní možné přesunout z jedné kolejnice na druhou.

Čištění/dezinfekce

Provádějte pravidelné čištění. Povrchy očistěte vlhkým hadříkem pomocí vhodného čisticího prostředku s neutrálním pH. Nepoužívejte rozpouštědla nebo koncentrované kapaliny, jelikož by mohlo dojít k poškození povrchu zvedáku. Pokud je zapotřebí provést dezinfekci, použijte izopropylalkohol. Nepoužívejte abrazivní čisticí prostředky. Po očištění zkontrolujte nouzové zastavení a nouzové spuštění. Zvedák by neměl být vystaven tekoucí vodě. Při instalaci v prostředí s rizikem vlhkosti je důležité, aby kolejnicový systém a motor byly pravidelně myty a sušeny. Kompletní průvodce pro snížení rizika koroze je k dispozici na vyžádání.



Při čištění dbejte na to, abyste nepoškodili nebo neodstranili štítky.



Zvedák a ruční ovladač mají stupeň ochrany IP24, což znamená, že nebezpečné součásti jsou chráněny proti vniknutí těles o průměru 12,5 mm a větších a že voda stříkající na kryt z libovolného směru nemá žádný škodlivý vliv.



Ošetřovatel a klient jsou vystaveni níže uvedeným materiálům: Polypropylen a polyester (vaky*), PC/ABS (ruční ovladač a kryt zvedáku), hliník s práškovou povrchovou úpravou, zinek s práškovou povrchovou úpravou (závěsné rameno).
* = příložitá část



Ve vzácných případech se u klienta nebo ošetřovatele vystaveného polypropylenu a polyesteru může vyskytnout alergická reakce, jako např. podráždění, mírné svědění a citlivost kůže.

Repasování

Při repasi zvedáku se řiďte postupy pro čištění a instalaci, provedte kompletní pravidelnou kontrolu a použijte kontrolní seznam.

Recyklace

Informace o tom, jak správně produkt zlikvidovat, naleznete v sekci „Pokyny k recyklaci“. Tu naleznete na www.etac.com.

Náhradní díly

Seznam náhradních dílů je k dispozici na vyžádání.

Rozsah pravidelné kontroly

Pravidelná kontrola představuje vizuální prohlídku (zejména nosné konstrukce zvedáku a zvedacího mechanismu a jejich příslušenství, brzd, ovladačů, bezpečnostních prvků a zařízení poskytujících oporu osobám) v souladu s protokolem pravidelné kontroly zvedáku Molift Air 200 a 350.

Viz www.etac.com.



Pokud dojde k problémům, které by mohly ohrozit bezpečnost osob, musí být zvedák okamžitě vyřazen z provozu a označen nápisem „mimo provoz“. Zvedák nepoužívejte, dokud nebude opraven. O případných problémech informujte místního prodejce nebo distributora Molift/Etac.

Pravidelnou kontrolu je nutno provádět nejméně jednou ročně nebo častěji, pokud to vyžadují místní předpisy. Kontrolu musí provést servisní pracovník pověřený společností Etac. Ohledně proškolení a pověření nebo doporučení schváleného servisního partnera kontaktujte společnost Etac na adrese molift@etac.com.

Při provádění pravidelné kontroly vyplní kontrolor pro zařízení Molift Air inspekční zprávu. Zprávu si ponechá osoba(y) odpovídající za provádění servisu zvedáku. Pokud kontrola odhalí vady a poškození, bude zvedák vyřazen z provozu a označen nápisem „mimo provoz“ až do doby, kdy bude opraven.

Odstraňování problémů

Problém	Možná příčina/akce
Zvedák nereaguje na pokyn ručního ovladače	Je aktivováno nouzové zastavení. Deaktivujte zatlačením tlačítka.
	Elektronické zařízení zvedáku je přehřáté. Počkejte, až vychladne.
	Ruční ovladač není správně zapojen. Ruční ovladač, zástrčka nebo kabel mohou být poškozené a měly by se vyměnit.
Zvedák nereaguje na tlačítko „nahoru“ na ručním ovladači	Je aktivován senzor úhlu zvedacího popruhu. Upravte zvedací popruh, nebo posuňte zvedák, aby se úhel zvedacího popruhu zmenšil.
Při použití elektricky poháněného nouzového spuštění se zvedací pás vytahuje nahoru	Zvedací pás je zcela vytažen a je navinutý nesprávným směrem. Použijte ruční nouzové spuštění. Odešlete zvedák do servisu.



Etac A/S
Parallevej 3
DK-8751 Gedved
www.etac.com

molift[®]
by Etac