

# x:panda

## Exploded views / Part lists

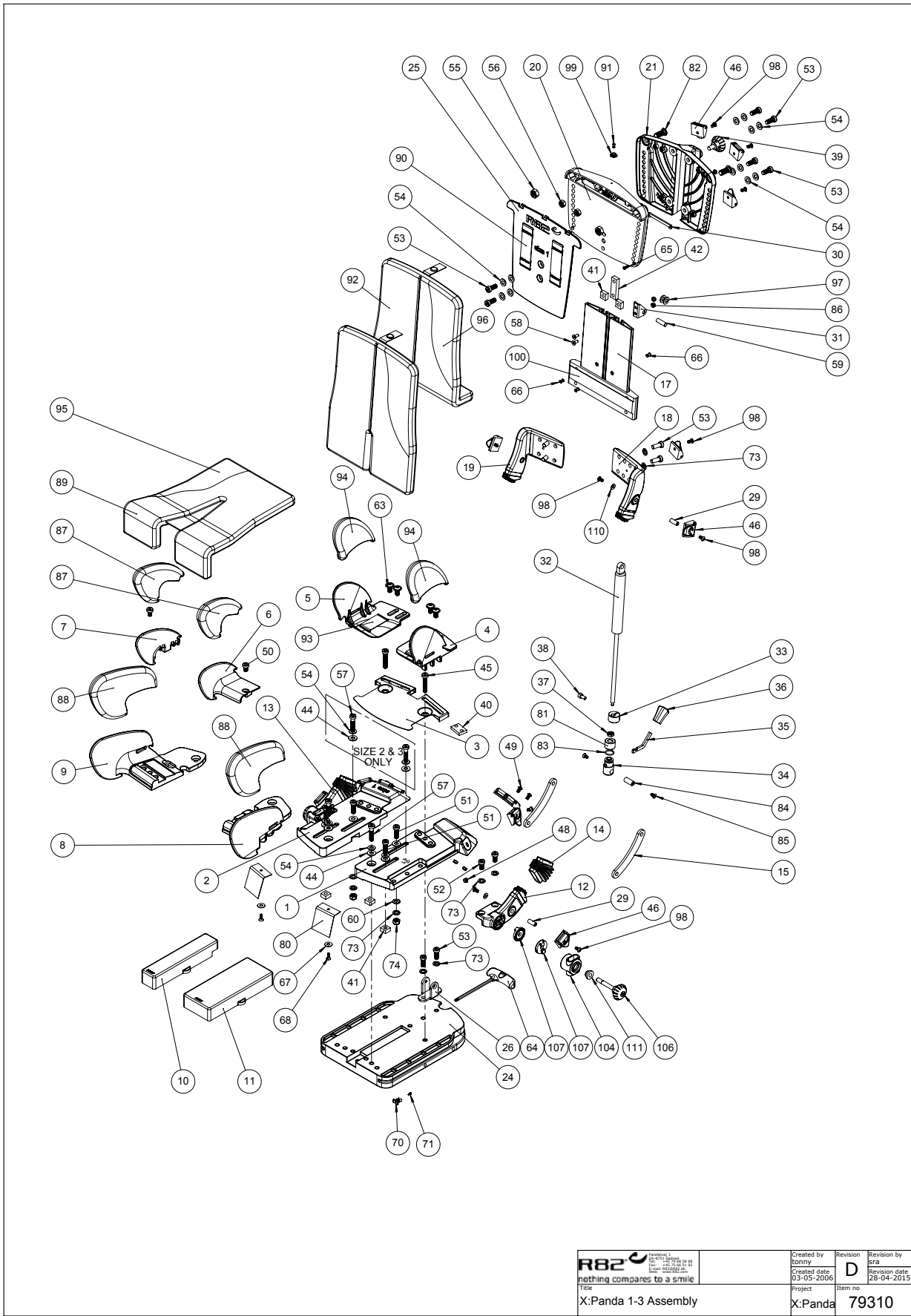
Rev. date 12.2016

*On the following pages you will find the parts used to assemble this product. Please note that some spare parts cannot be purchased individually but are part of a complete kit. Please also note that for some spare parts extra delivery time may occur.*



## Contents

Seat unit size .....	3
Seat unit size 4.....	8
Arm rests .....	12
Arm rests size 4 .....	14
Tray, toybar and arm rest for tray.....	16
Fixed side supports.....	18
Fixlocks and fixed gasspring for back .....	21



C:\EPDM\TEC\Explode\X:panda\79310

 nothing compares to a smile File X:Panda 1-3 Assembly	Created by tonny Created date 03-05-2006	Revision D Revision date 28-04-2015	Revision by sra Item no 79310
	Project X:Panda		Item no 79310

Position	No.	Description	Quantity	Unit of Measure	Ean code
1*	75006	SLIDING PLATE 1, LEFT	1	PCS	5707292431615
	75007	SLIDING PLATE 2, LEFT	1	PCS	5707292441980
	75008	SLIDING PLATE 3, LEFT	1	PCS	5707292458742
2*	75011	SLIDING PLATE 1, RIGHT	1	PCS	5707292431622
	75012	SLIDING PLATE 2, RIGHT	1	PCS	5707292441997
	75013	SLIDING PLATE 3, RIGHT	1	PCS	5707292458759
3*	75221	COVER PLATE 1	1	PCS	5707292189400
	75222	COVER PLATE 2	1	PCS	5707292470263
	75223	COVER PLATE 3	1	PCS	5707292470270
4*	5700512	UPHOLST. HIPSUPPORT 1+2, LEFT	1	PCS	5707292460509
	5700514	UPHOLST. HIPSUPPORT 3, LEFT	1	PCS	5707292460523
5*	5700513	UPHOLST. HIPSUPPORT 1+2, RIGHT	1	PCS	5707292460493
	5700515	UPHOLST. HIPSUPPORT 3, RIGHT	1	PCS	5707292460530
6*	5700530	UPHOLST.LEG SUPP. 1+2, LEFT	1	PCS	5707292460608
	5700540	OPLIMET ABD.BENSTØTTE 3,VEN.	1	PCS	5707292460899
7*	5700531	UPHOLST.LEG SUPP. 1+2,RIGHT	1	PCS	5707292460660
	5700541	UPHOLST.LEG SUPP. 3, RIGHT	1	PCS	5707292460905
8*	5700533	UPHOLST.LEG SUPP. 1, LEFT	1	PCS	5707292460738
	5700534	UPHOLST.LEG SUPP. 2, LEFT	1	PCS	5707292460813
	5700536	UPHOLST.LEG SUPP. 3, LEFT	1	PCS	5707292460851
9*	5700532	UPHOLST.LEG SUPP. 1, RIGHT	1	PCS	5707292460721
	5700535	UPHOLST.LEG SUPP. 2, RIGHT	1	PCS	5707292460820
	5700537	UPHOLST.LEG SUPP. 3, RIGHT	1	PCS	5707292460868
10*	75081	SPACER 1 MEDIUM	1	PCS	5707292431745
	75082	SPACER 2 MEDIUM	1	PCS	5707292454409
11*	75086	SPACER 1 LARGE	1	PCS	5707292431752
	75087	SPACER 2 LARGE	1	PCS	5707292454416
12	75123	GEAR WHEEL SEAT 1, LEFT	1	PCS	5707292442123
13	75128	GEAR WHEEL SEAT 1, RIGHT	1	PCS	5707292442147
14	75110	BELLOW, SEAT/BACK	2	PCS	5707292431769
15	75181	BRACKET F. SEAT/BACK	2	PCS	5707292431837
17*	75156	BASIS PROFILE 1 FOR BACK	1	PCS	5707292446251
	75157	BASIS PROFILE 2 FOR BACK	1	PCS	5707292449009
	75158	BASIS PROFILE 3 FOR BACK	1	PCS	5707292458810
18*	75133	GEAR WHEEL BACK 1, LEFT	1	PCS	5707292442161
	75135	GEAR WHEEL BACK 2, LEFT	1	PCS	5707292454362
19*	75138	GEAR WHEEL BACK 1, RIGHT	1	PCS	5707292442185
	75140	GEAR WHEEL BACK 2, RIGHT	1	PCS	5707292454379
20*	75051	BASE PLATE FOR BACK 1	1	PCS	5707292431707
	75052	BASE PLATE FOR BACK 2	1	PCS	5707292442062
	75053	BASE PLATE FOR BACK 3	1	PCS	5707292458834
21*	75061	COVER FOR BACK 1	1	PCS	5707292431899
	75062	COVER FOR BACK 2	1	PCS	5707292442086
	75063	COVER FOR BACK 3	1	PCS	5707292458841
24*	75001	BASEPLATE 1	1	PCS	5707292431608
	75002	BASEPLATE 2	1	PCS	5707292441973
	75003	BASEPLATE 3	1	PCS	5707292458766

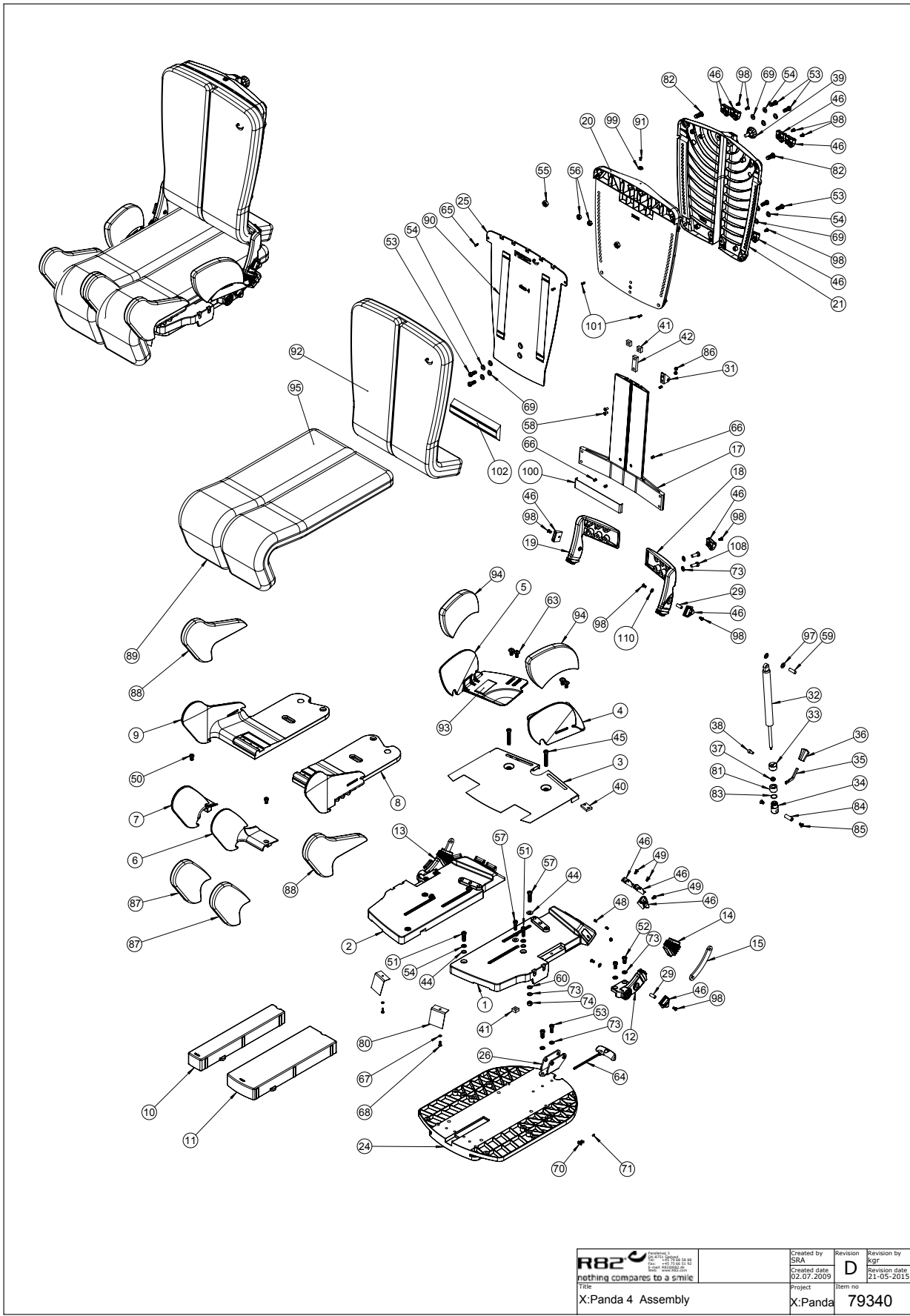
25*	75056	INSIDE PLATE FOR BACK 1	1	PCS	5707292431714
	75057	INSIDE PLATE FOR BACK 2	1	PCS	5707292442079
	75058	INSIDE PLATE FOR BACK 3	1	PCS	5707292458865
26*	75183	BRACKET FOR HEIGHT ADJUSTMENT	1	PCS	5707292458933
	75184	BRACKET FOR HEIGHT ADJUSTMENT	1	PCS	5707292458872
29	75202	BUSH ø8x20-M5	4	PCS	5707292437105
30	75211	ANCHOR SHACKLE	1	PCS	5707292437112
31	75187	BRACKET FOR BLOCK-O-LIFT	1	PCS	5707292437129
32*	2200310	BLOC-O-LIFT 5306XG 50N	1	PCS	5707292452481
	2200300	BLOC-O-LIFT 6558YV 100N	1	PCS	5707292432711
	2200320	BLOC-O-LIFT XXXX 150N	1	PCS	5707292452498
33	75210	LOCK BUSH GAS SPRING Ø8	1	PCS	5707292453488
34	6118824	HOUSE FOR GASSPRING	1	PCS	5707292445193
35	2200022	RELEASE LEVER, COUGAR	1	PCS	5707292412126
36	2200030	BUTTON FOR RELEASE ARM	1	PCS	5707292143051
37	1760800	COMPENSATING NUT 8*1,0 FINEP.T	1	PCS	5707292141521
38	3501401	R82 HANDLE M6*20mm Screw	1	PCS	5707292413901
39	3503001	R82 HANDLE M8*15MM SCREW	1	PCS	5707292413925
40	75190	SLIDE BAR 30X15X6 (M8X2)	2	PCS	5707292442246
41	80615	SLIDEBAR 15*15*8, M8	4	PCS	5707292437600
42	80616	SLIDEBAR 50*15*8,M8*2	1	PCS	5707292405401
43	81219	DISTANCE PART, SEAT/ADAPTOR	1	PCS	5707292434265
44	1102000	PLANING WASHER 8MM	8	PCS	5707292140227
45	0603544	INSEX LOW HEAD M8x40 STAINLESS	2	PCS	5707292440150
46	75306	FIXLOCK R82 25	16	PCS	5707292437624
48	1606300	LOCK NUT 5 MM	10	PCS	5707292141354
49	0658010	BUTTOM HEAD M5 X 10,STAINLESS	10	PCS	5707292139375
50	0602484	INSEX LOW HEAD M8x12 STAINLESS	2	PCS	5707292442420
51	0602485	INSEX M8*25,LOW HEAD,STAINLESS	4	PCS	5707292432216
52	0603540	INSEX LOW HEAD M8x40 STAINLESS	4	PCS	5707292412485
53	0602483	INSEX LOW HEAD M8x20 STAINLESS	12	PCS	5707292442437
54	1101050	SPRING WASHER M8, WAVY FZB	10	PCS	5707292458667
55	1604000	STEEL NUT 10 MM	2	PCS	5707292141293
56	1603500	STEEL NUT 8MM, LARGE PACK	2	PCS	5707292141286
57	0602485	INSEX M8'35,LOW HEAD,STAINLESS	4	PCS	5707292432216
58	0609727	STAINLESS INSEX 6*10	2	PCS	5707292138484
59	0530004	CYL.STIFT Ø8X25 MM.	1	PCS	5707292442451
60	0683925	FAZET WASHER 8MM	2	PCS	5707292467980
63	0661501	BUTTON HEAD W/FLANGE 8*16	4	PCS	5707292139566
64	75291	HEXAGON KEY NV=5	1	PCS	5707292437655
65	1940003	PLASTITE 60, 3,5*9,5	3	PCS	5707292469984
66	0506509	STAINLESS RIVET 4*7 MM	3	PCS	5707292472441
67	1101950	WASHER ø6,1-16*1 MM, FZB	2	PCS	5707292140210
68	1811105	SCREW 4.2*16UH, STAINLESS	2	PCS	5707292141699
70	0235080	SPRING CLIP	1	PCS	5707292442901
71	1810055	SCREW 2.2*6,5, STAINLESS	1	PCS	5707292442475
73	1100495	SPRING WASHER M8	12	PCS	5707292458674
74	1631080	STAINLESS LOCK NUT 8MM	2	PCS	5707292141453
80	4931000	50MM.BLACK VELCO,APLIX 800HOOK	0,3	MTR	5707292152046
81	75207	LOCK FOR RELEASE HEAD	1	PCS	5707292445209

82	0604450	INSEX M10*25, SORT	2	PCS	5707292451569
83	0104500	O-RINGE 15 *1,5 KVAL NBR 70	1	PCS	5707292445285
84	75214	BUSH ø10x27-M6	1	PCS	5707292458889
85	0609727	STAINLESS INSEX 6*10	2	PCS	5707292138484
86	1631060	STAINLESS LOCK NUT 6MM	2	PCS	5707292141446
87*	5027210	COVER FOR ABD. SIZE 1+2,BLACK	2	PCS	5707292446312
	5027212	COVER FOR ABD. SIZE 3,BLACK	2	PCS	5707292458896
88*	5027215	COVER FOR SEAT SIZE 1,BLACK	2	PCS	5707292446336
	5027216	COVER FOR SEAT SIZE 2,BLACK	2	PCS	5707292446343
	5027217	COVER FOR SEAT SIZE 3,BLACK	2	PCS	5707292446350
89*	8910411-xx	COVER FOR SEAT CUSHION, SMALL, SIZE 1	1	PCS	
	8910412-xx	COVER FOR SEAT CUSHION, MEDIUM, SIZE 1	1	PCS	
	8910413-xx	COVER FOR SEAT CUSHION, LARGE, SIZE 1	1	PCS	
	8910421-xx	COVER FOR SEAT CUSHION, SMALL, SIZE 2	1	PCS	
	8910422-xx	COVER FOR SEAT CUSHION, MEDIUM, SIZE 2	1	PCS	
	8910423-xx	COVER FOR SEAT CUSHION, LARGE, SIZE 2	1	PCS	
	8910431-xx	COVER FOR SEAT CUSHION, SMALL, SIZE 3	1	PCS	
	8910432-xx	COVER FOR SEAT CUSHION, MEDIUM, SIZE 3	1	PCS	
	8910433-xx	COVER FOR SEAT CUSHION, LARGE, SIZE 3	1	PCS	
90	4913034	APLIX 30 MM, HOOK BLACK W/TAPE	0,5	MTR	5707292151858
92*	8910511-xx	COVER FOR BACK CUSHION SMALL, SIZE 1	1	PCS	
	8910512-xx	COVER FOR BACK CUSHION MEDIUM, SIZE 1	1	PCS	
	8910513-xx	COVER FOR BACK CUSHION LARGE, SIZE 1	1	PCS	
	8910521-xx	COVER FOR BACK CUSHION SMALL, SIZE 2	1	PCS	
	8910522-xx	COVER FOR BACK CUSHION MEDIUM, SIZE 2	1	PCS	
	8910523-xx	COVER FOR BACK CUSHION LARGE, SIZE 2	1	PCS	
	8910531-xx	COVER FOR BACK CUSHION SMALL, SIZE 3	1	PCS	
	8910532-xx	COVER FOR BACK CUSHION MEDIUM, SIZE 3	1	PCS	
	8910533-xx	COVER FOR BACK CUSHION LARGE, SIZE 3	1	PCS	
93	4913034	APLIX 30 MM, HOOK BLACK W/TAPE	0,17	MTR	5707292151858
94*	5027205	COVER SEATSIDE,BACK, 1+2,BLACK	2	PCS	5707292446299
	5027207	COVER SEATSIDE,BACK, 3,BLACK	2	PCS	5707292458902
95*	8910211-UB	SEAT CUSHION W/O COVER, SMALL, SIZE 1	1	PCS	5707292450852
	8910212-UB	SEAT CUSHION W/O COVER, MEDIUM, SIZE 1	1	PCS	5707292450869
	8910213-UB	SEAT CUSHION W/O COVER, LARGE, SIZE 1	1	PCS	5707292450876
	8910221-UB	SEAT CUSHION W/O COVER, SMALL, SIZE 2	1	PCS	5707292450944
	8910222-UB	SEAT CUSHION W/O COVER, MEDIUM, SIZE 2	1	PCS	5707292450951
	8910223-UB	SEAT CUSHION W/O COVER, LARGE, SIZE 2	1	PCS	5707292450968
	8910231-UB	SEAT CUSHION W/O COVER, SMALL, SIZE 3	1	PCS	5707292451033
	8910232-UB	SEAT CUSHION W/O COVER, MEDIUM, SIZE 3	1	PCS	5707292451040
	8910233-UB	SEAT CUSHION W/O COVER, LARGE, SIZE 3	1	PCS	5707292451057
96*	8910311-UB	BACK CUSHION W/O COVER, SMALL, SIZE 1	1	PCS	5707292451125
	8910312-UB	BACK CUSHION W/O COVER, MEDIUM, SIZE 1	1	PCS	5707292451132
	8910313-UB	BACK CUSHION W/O COVER, LARGE, SIZE 1	1	PCS	5707292451149
	8910321-UB	BACK CUSHION W/O COVER, SMALL, SIZE 2	1	PCS	5707292451217
	8910322-UB	BACK CUSHION W/O COVER, MEDIUM, SIZE 2	1	PCS	5707292451224
	8910323-UB	BACK CUSHION W/O COVER, LARGE, SIZE 2	1	PCS	5707292451231
	8910331-UB	BACK CUSHION W/O COVER, SMALL, SIZE 3	1	PCS	5707292451316
	8910332-UB	BACK CUSHION W/O COVER, MEDIUM, SIZE 3	1	PCS	5707292451323
	8910333-UB	BACK CUSHION W/O COVER, LARGE, SIZE 3	1	PCS	5707292451330


97	1310711	NYLON WASHER 15*8,4*1,5MM	2	PCS	5707292429933
98	0640911	BUTTON HEAD M5*10 FZB TUFLOK	10	PCS	5707292428479
99	0450052	PUSHBUTTON RING	1	PCS	5707292452313
100	4913034	APLIX 30 MM, HOOK BLACK W/TAPE	0,21/0,25/0,3	METER	5707292151858
104	75393	BUSH FOR STAND	2	PCS	5707292475909
106	3502550	R82 HANDLE Ø35X24 L=50 M8	2	PCS	5707292521408
107	74063	TOOTHED DISK 030*9	8	PCS	5707292377968
111	75228	GUIDE BUSHING	4	PCS	5707292511232

	XX	CHOOSE COLOUR CODE: 60: BLACK, 64: PINK, 65: RED, 66: BLUE, 67: LIME GREEN
*		CHOOZE SIZE





C:\EPDM\TEC\Explode\X:panda\79340

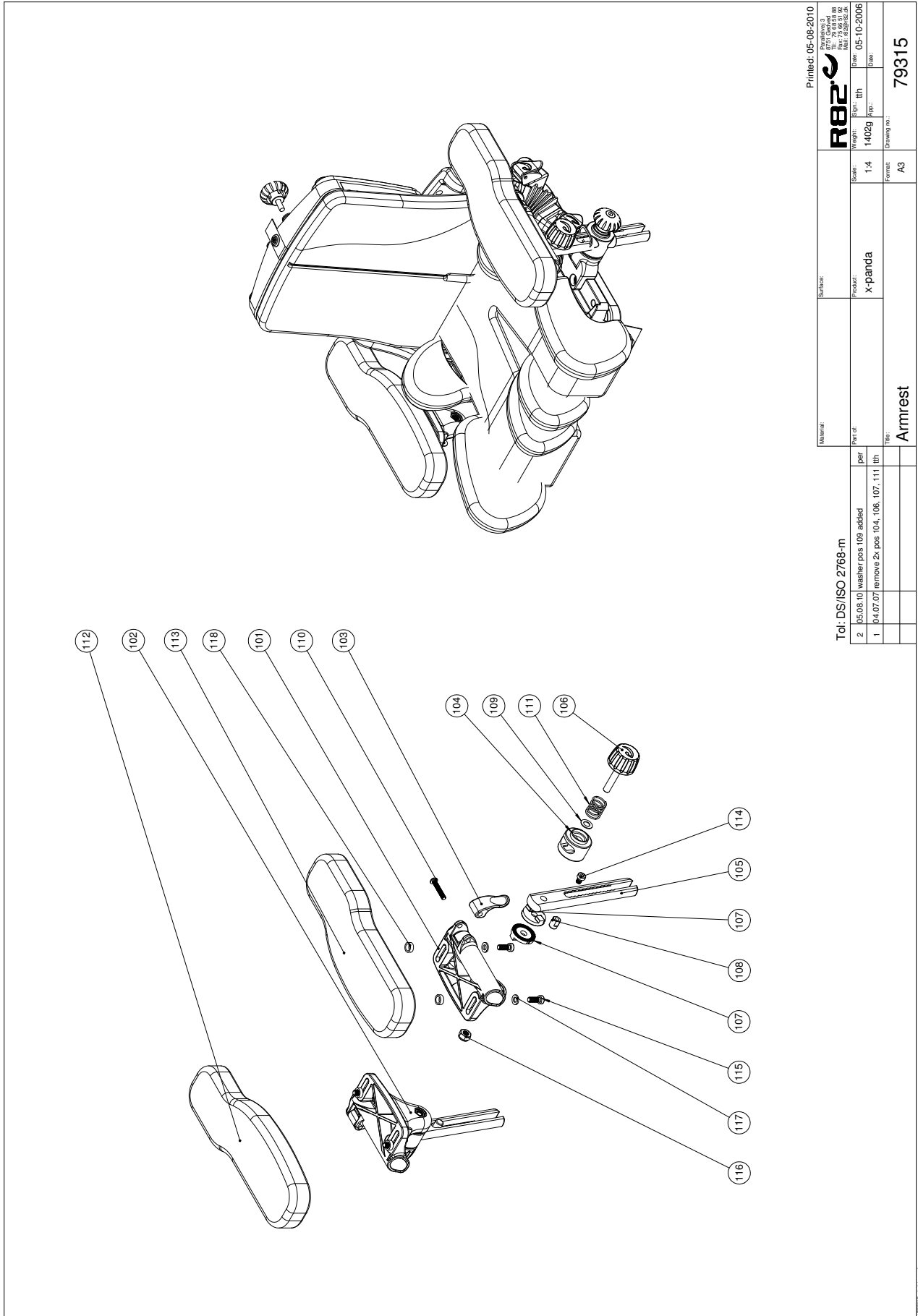
 <p>nothing compares to a smile</p>	Created by SRA	Revision D	Revision by Kgr
	Created date: 02.07.2009	Revision date: 21.05.2015	Item no 79340
File X:Panda 4 Assembly		Project X:Panda	Item no 79340



Position	No.	Description	Quantity	Unit of Measure	Ean code
1	75009	SLIDING PLATE 4, LEFT	PCS	1	5707292506771
2	75014	SLIDING PLATE 4, RIGHT	PCS	1	5707292506788
3	75019	COVER PLATE 4	PCS	1	5707292506795
4	5700516	UPHOLST. HIPSUPPORT 4, LEFT	PCS	1	5707292510709
5	5700517	UPHOLST. HIPSUPPORT 4, RIGHT	PCS	1	5707292510716
6	5700542	UPHOLST. ABD.LEG SUPP. 4, LEFT	PCS	1	5707292510723
7	5700543	UPHOLST. ABD.LEG SUPP. 4, RIGHT	PCS	1	5707292510754
8	5700546	UPHOLST. LEG SUPP. 4, LEFT	PCS	1	5707292510761
9	5700547	UPHOLST. LEG SUPP. 4, RIGHT	PCS	1	5707292510778
10	75083	SPACER F. SEAT MEDIUM SIZE 4	PCS	1	5707292506948
11	75088	SPACER F.SEAT LARGE SIZE 4	PCS	1	5707292506955
12	75123	GEAR WHEEL SEAT 1, LEFT	PCS	1	5707292442123
13	75128	GEAR WHEEL SEAT 1, RIGHT	PCS	1	5707292442147
14	75110	BELLOW, SEAT/BACK	PCS	1	5707292431769
15	75181	BRACKET F. SEAT/BACK	PCS	1	5707292431837
17	75159	BASIS PROFILE 4 FOR BACK	PCS	1	5707292505026
18	75145	GEAR WHEEL BACK 4, LEFT	PCS	1	5707292499189
19	75148	GEAR WHEEL BACK 4, RIGHT	PCS	1	5707292499172
20	75054	BASE PLATE FOR BACK 4	PCS	1	5707292506917
21	75064	COVER FOR BACK 4	PCS	1	5707292506931
24	75004	BASEPLATE 4	PCS	1	5707292506764
25	75059	INSIDE PLATE FOR BACK 4	PCS	1	5707292506924
26	75185	BRACKET FOR HEIGHT ADJUSTMENT	PCS	1	5707292442215
29	75202	BUSH ø8x20-M5	PCS	2	5707292437105
31	75187	BRACKET FOR BLOCK-O-LIFT	PCS	1	5707292437129
32*	2200525	BLOC-O-LIFT 024087 250N	PCS	1	5707292511287
	2200530	BLOC-O-LIFT 350N	PCS	1	5707292524485
33	75210	LOCK BUSH GAS SPRING Ø8	PCS	1	5707292453488
34	6118824	HOUSE FOR GASSPRING	PCS	1	5707292445193
35	2200022	RELEASE LEVER, COUGAR	PCS	1	5707292412126
36	2200030	BUTTON FOR RELEASE ARM	PCS	1	5707292143051
37	1760800	COMPENSATING NUT 8*1,0 FINEP.T	PCS	1	5707292141521
38	3652501	R82 HANDLE M6*16MM SCREW	PCS	1	5707292413963
39	3503001	R82 HANDLE M8*15MM SCREW	PCS	1	5707292413925
40	75190	SLIDE BAR 30X15X6 (M8X2)	PCS	2	5707292442246
41	80615	SLIDEBAR 15*15*8, M8	PCS	4	5707292437600
42	80616	SLIDEBAR 50*15*6,M8,2	PCS	1	5707292476319
43	81219	BUSH FOR HEADRESTMOUNTING	PCS	1	5707292434265
44	1102000	PLANING WASHER 8MM	PCS	10	5707292140227
45	1489771	INSEX M8*50 STAINLESS	PCS	2	5707292412850
46	75306	SNAP LOCK R82 25	PCS	12	5707292437624
48	1606300	LOCK NUT 5 MM	PCS	6	5707292141354
49	0658010	BUTTOM HEAD M5 X 10,STAINLESS	PCS	6	5707292139375
50	0602484	INSEX LOW HEAD M8x12 STAINLESS	PCS	2	5707292442420
51	0602482	INSEX LOW HEAD M8x30 STAINLESS	PCS	4	5707292442444
52	0603540	INSEX LOW HEAD M8x16 STAINLESS	PCS	4	5707292412485
53	0602483	INSEX LOW HEAD M8x20 STAINLESS	PCS	12	5707292442437

54	1101050	SPRING WASHER M8, WAVY FZB	PCS	16	5707292458667
55	1604000	STEEL NUT 10 MM	PCS	2	5707292141293
56	1603500	STEEL NUT 8MM, LARGE PACK	PCS	2	5707292141286
57	0602487	INSEX M8'35,LOW HEAD,STAINLESS	PCS	4	5707292469526
58	0609727	STAINLESS INSEX 6*12 UH	PCS	2	5707292138484
59	0530004	CYL.PIN Ø8*25 MM	PCS	1	5707292442451
60	0683925	WASHER 8*14*1	PCS	2	5707292467980
63	0661501	BUTTON HEAD W/FLANGE 8*16	PCS	4	5707292139566
64	75291	HEXAGON KEY NV=5	PCS	1	5707292437655
65	1940003	ECO SYN 3,5*12,US hoved	PCS	3	5707292469984
66	0506509	RIVET 4*10, STAINLESS	PCS	3	5707292472441
67	1101950	WASHER ø6,1-16*1 MM, FZB	PCS	2	5707292140210
68	1811105	SCREW 4.2*16UH, STAINLESS	PCS	2	5707292141699
69	1103200	FAZET WASHER 8MM	PCS	6	5707292140296
70	0235080	SPRING CLIP	PCS	1	5707292442901
71	1810055	SCREW ST 2,9*6,5	PCS	1	5707292469519
73	1100495	SPRING WASHER M8	PCS	8	5707292458674
74	1631080	STAINLESS LOCK NUT 8MM	PCS	2	5707292141453
80	5520550	STRAP FOR SEATCUSHION X:PANDA 4	PCS	2	5707292511188
81	75207	LOCK FOR RELEASE HEAD	PCS	1	5707292445209
82	0604450	INSEX M10*25, SORT	PCS	2	5707292451569
83	0104500	O-RINGE 15 *1,5 KVAL NBR 70	PCS	1	5707292445285
84	75214	BUSH ø10x27-M6	PCS	1	5707292458889
85	0609727	STAINLESS INSEX 6*12 UH	PCS	2	5707292138484
86	75192	SLIDEBAR 25x10x6 (M6x2)	PCS	1	5707292505453
87	5027213	COVER F.ABD LEGSUPPORT S.4, LEFT+RIGHT	PCS	2	5707292511195
88	5027218	COVER F.LEGSUPPORT S.4, LEFT+RIGHT	PCS	2	5707292511201
89*	8910441-xx	COVERS FOR SEAT CUSHION, SMALL		1	
	8910442-xx	COVERS FOR SEAT CUSHION, MEDIUM		1	
	8910443-xx	COVERS FOR SEAT CUSHION, LARGE		1	
	8910481-xx	COVERS FOR SEAT CUSHION WO/ABD, SMALL		1	
	8910482-xx	COVERS FOR SEAT CUSHION WO/ABD, MEDI.		1	
	8910483-xx	COVERS FOR SEAT CUSHION WO/ABD, LARGE		1	
90	4913034	30 MM, HOOK BLACK W/TAPE	METER	0,68	5707292151858
92*	8910341-xx	BACK CUSHION, SMALL		1	
	8910342-xx	BACK CUSHION, MEDIUM		1	
	8910343-xx	BACK CUSHION, LARGE		1	
	8910341-UB	BACK CUSHION WO.COVERS, SMALL		1	
	8910342-UB	BACK CUSHION WO.COVERS, MEDIUM		1	
	8910343-UB	BACK CUSHION WO.COVERS, LARGE		1	
	8910541-xx	COVERS FOR BACK CUSHION, SMALL		1	
	8910542-xx	COVERS FOR BACK CUSHION, MEDIUM		1	
	8910543-xx	COVERS FOR BACK CUSHION, LARGE			
	8910344-xx	BACK CUSHION + 5 CM, SMALL		1	
	8910345-xx	BACK CUSHION + 5 CM, MEDIUM		1	
	8910346-xx	BACK CUSHION + 5 CM, LARGE		1	
	8910344-UB	BACK CUSHION WO.COVERS + 5 CM, SMALL		1	
	8910345-UB	BACK CUSHION WO.COVERS + 5 CM, MEDIUM		1	
	8910346-UB	BACK CUSHION WO.COVERS + 5 CM, LARGE		1	
	8910544-xx	COVERS FOR BACK CUSHION + 5 CM, SMALL		1	

	8910545-xx	COVERS FOR BACK CUSHION + 5 CM, MEDIUM		1	
	8910546-xx	COVERS FOR BACK CUSHION + 5 CM, LARGE		1	
93	4913034	30 MM, HOOK BLACK W/TAPE	METER	0,21	5707292151858
94	5027208	UPHOLST.COVER HIPSUPPORT 4, LEFT/RIGHT	PCS	2	5707292511218
95*	8910241-xx	SEAT CUSHION, SMALL		1	
	8910242-xx	SEAT CUSHION, MEDIUM		1	
	8910243-xx	SEAT CUSHION, LARGE		1	
	8910241-UB	SEAT CUSHION WITHOUT COVERS, SMALL		1	
	8910242-UB	SEAT CUSHION WITHOUT COVERS, MEDIUM		1	
	8910243-UB	SEAT CUSHION WITHOUT COVERS, LARGE		1	
	8910281-xx	SEAT CUSHION, INCL. GIRTH, SMALL, WO.ABD		1	
	8910282-xx	SEAT CUSHION, INCL. GIRTH, MEDI., WO ABD		1	
	8910283-xx	SEAT CUSHION, INCL. GIRTH, LARGE, WO ABD		1	
	8910281-UB	SEAT CUSHION, SMALL, WOABD AND COVERS		1	
	8910282-UB	SEAT CUSHION, MEDIUM, WO ABD & COVERS		1	
	8910283-UB	SEAT CUSHION, LARGE, WOABD AND COVERS		1	
97	1310711	NYLON WASHER 15*8,4*1,5MM	PCS	2	5707292429933
98	0640911	BUTTON HEAD M5*10 FZB TUFLOK	PCS	12	5707292428479
99	0450052	BALL F. PUSHBUTTON	PCS	1	5707292452313
100	4913034	30 MM, HOOK BLACK W/TAPE	METER	0,39	5707292151858
101	1940041	ECO-SYN UH Ø4*12	PCS	2	5707292518316
102	5800895	UPHOLST. LUMBAR SUPPORT X:PANDA 4	PCS	1	5707292520869
	XX	CHOOSE COLOUR CODE: 60: BLACK, 64: PINK, 65: RED, 66: BLUE, 67: LIME GREEN			
	*	CHOOZE SIZE			

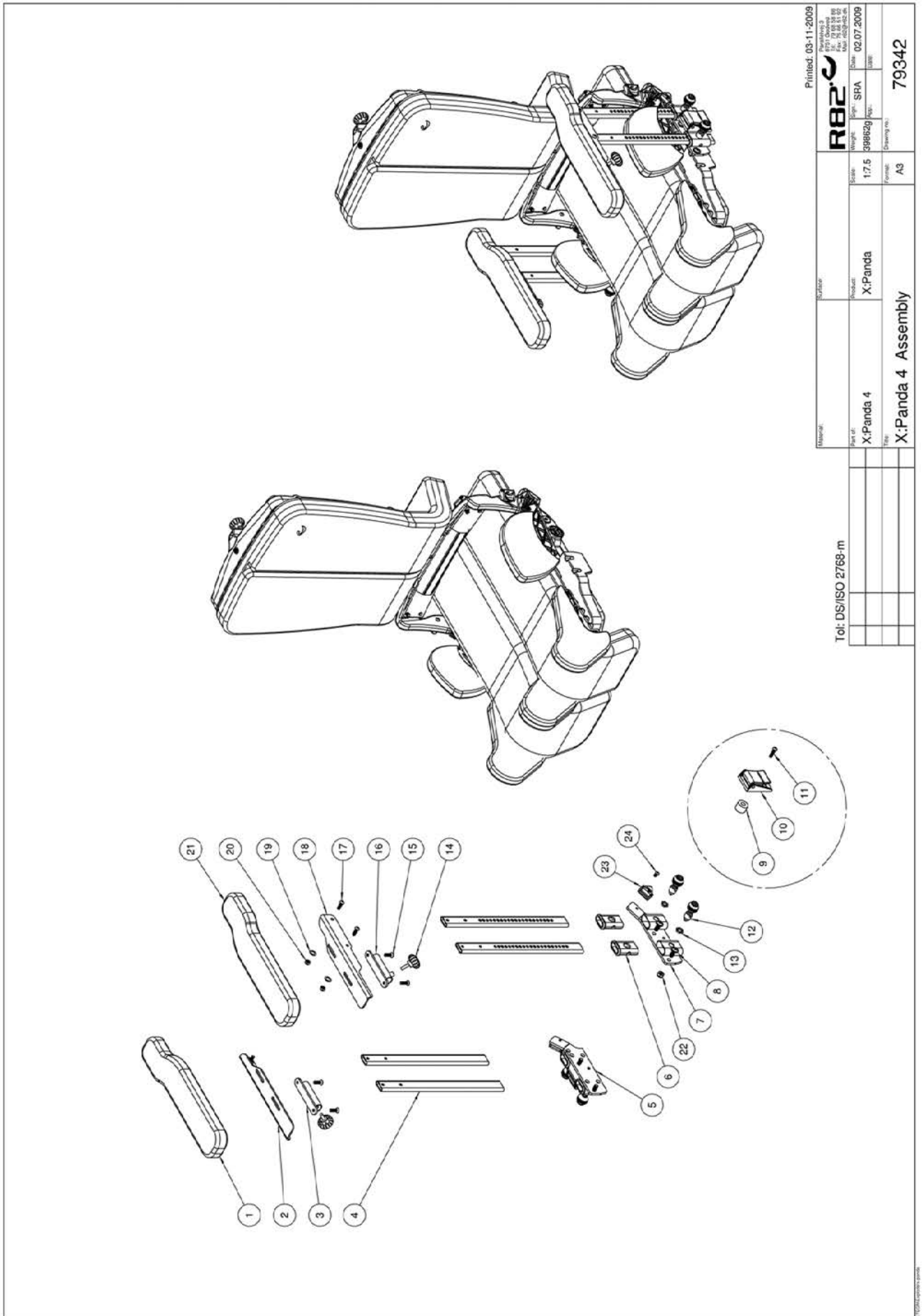


Printed: 05-08-2010

Material:		Surface:			
Part of:		Release:		Scale: 1:4 Date: 05-10-2006 Part: 1402g Appr.: Drawn by:	
Title:		Drawing no.:		79315	
To: DS/ISO 2768-m 2 05.08.10 washer pos 109 added 1 04.07.07 remove 2x pos 104, 106, 107, 111		Armrest		Format: A3	

Position	No.	Description	Quantity	Unit of Measure	Ean code
101	75391	HOLDER FOR ARMREST, LEFT	1	PCS	5707292454768
102	75392	HOLDER FOR ARMREST, RIGHT	1	PCS	5707292454775
103	75395	LOCK, ARMREST & TABLE	2	PCS	5707292454799
104	75390	BUSH FOR STAND, ARMREST	4	PCS	5707292454751
105*	75381	Rail size 1 for armrest	2	PCS	5707292454720
	75382	Rail size 2 for armrest	2	PCS	5707292454737
	75383	Rail size 3 for armrest	2	PCS	5707292454744
106	3501635	R82 handle Dia.,M8*37	4	PCS	5707292451910
107	74063	TOOTHED DISK O30*9	8	PCS	5707292377968
108	75386	CAP NUT M6	2	PCS	5707292454782
109	1101050	SPRING WASHER M8, WAVY FZB	1	PCS	5707292458667
110	0659580	BUTTON HEAD SCREW 6*30 MM	2	PCS	5707292139481
111	0310113	RF.TRYKFJ 1,2*16indv.*20	4	PCS	5707292453143
112*	6175150	ARMREST CUSHION, SIZE 1, RIGHT	1	PCS	5707292189226
	6175154	ARMREST CUSHION, SIZE 2, RIGHT	1	PCS	5707292189240
	6175158	ARMREST CUSHION, SIZE 3, RIGHT	1	PCS	5707292189264
113*	6175152	ARMREST CUSHION, SIZE 1, LEFT	1	PCS	5707292189233
	6175156	ARMREST CUSHION, SIZE 2, LEFT	1	PCS	5707292189257
	6175160	ARMREST CUSHION, SIZE 3, LEFT	1	PCS	5707292189271
114	0602479	INSEX M6*8,LOW HEAD,STAINLESS	2	PCS	5707292455192
115	0602207	INSEX M6*16,LOW HEAD,STAINLESS	2	PCS	5707292455185
116	1603500	STAINLESS LOCK NUT 8MM	2	PCS	5707292141453
117	1105060	STAINLESS WASHER 6MM	4	PCS	5707292140357
118	1310539	DISTANCE PIECE 12/8,4*5MM	4	PCS	5707292423474

*		CHOOZE SIZE			
---	--	-------------	--	--	--



Printed: 03-11-2009

Reference:	Scale:	Product:	Version:	Rev.:	Date:
	1:7.5	X:Panda	SHA		02.07.2009
Part of:	Scale:	Product:	Version:	Rev.:	Date:
X:Panda 4		X:Panda			
File:	Format:	Drawing no.:	79342		
X:Panda 4 Assembly	A3				

Tol: DS/ISO 2768-m

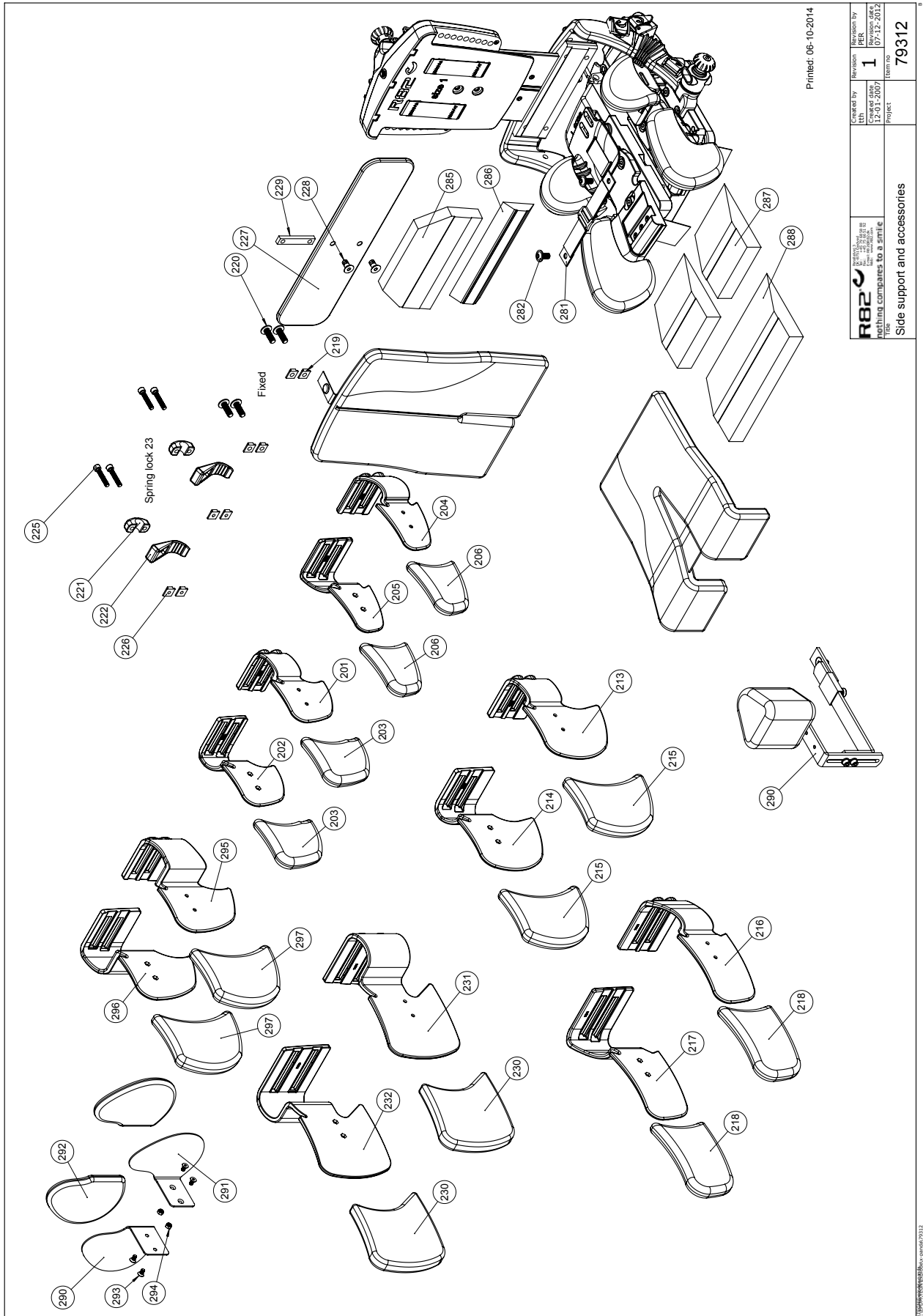
Position	No.	Description	Quantity	Unit of Measure	Ean code
1	6175163	ARMREST PU. WOMBAT SZ 4. RIGHT	PIECES	1	5707292443151
2	82705	ARMREST RIGHT SIZE 3	PIECES	1	5707292442734
3	75443	MOUNTING FOR TABLE, RIGHT	PIECES	1	5707292517173
4	82666	ARMREST, WOMBAT, EXTENDED	PIECES	4	5707292391919
5	75438	ARMREST BRACKET, RIGHT	PIECES	1	5707292517227
6	82868	PLASTICBUSHING 10/30,WOMBAT CB	PIECES	4	5707292355454
7	75439	ARMREST BRACKET, LEFT	PIECES	1	5707292517265
8	0661800	BUTTON HEAD W/FLANGE 8*20	PIECES	4	5707292408075
9	1310679	DISTANCE PIECE BLACK Ø25*Ø8,2*18MM	PIECES	2	5707292518385
10	0442070	FIXLOCK CLAMP 40 MM W/HOLE	PIECES	2	5707292136398
11	0641625	BUTTON HEAD SCREW 6*25 MM	PIECES	2	5707292139283
12	9500001	LOCK WOMBAT	PIECES	4	5707292404527
13	1785000	NUT 12MM HEXAGON, FZB	PIECES	4	5707292141583
14	3652501	R82 HANDLE M6*16MM SCREW	PIECES	2	5707292413963
15	0611000	INSEX SCREW COUNTERS. 6*20	PIECES	4	5707292138682
16	75442	MOUNTING FOR TABLE, LEFT	PIECES	1	5707292517203
17	0641620	BUTTON HEAD SCREW 6*20	PIECES	4	5707292139276
18	82718	ARMREST BRACKET LEFT SIZE 3	PIECES	1	5707292442727
19	1310640	WASHER, NATURE Ø16*10*0,5MM	PIECES	4	5707292140760
20	1606500	LOCK NUT 6 MM	PIECES	4	5707292141361
21	6175164	ARMREST PU. WOMBAT SZ 4. LEFT	PIECES	1	5707292443168
22	1607000	LOCK NUT 8MM, LARGE PACK	PIECES	2	5707292141378
23	75306	SNAP LOCK R82 25	PIECES	2	5707292437624
24	0640911	BUTTON HEAD M5*10 FZB TUFLOK	PIECES	2	5707292428479
30	8910404-44	HIP SUPPORTS WITH PU PAD	PIECES	2	5707292539014





Position	No.	Description	Quantity	Unit of Measure	Ean code
120*	75361	TABLE SIZE 1	1	PCS	5707292455994
	75362	TABLE SIZE 2	1	PCS	5707292456298
121	75365	BRACKET FOR TABLE 1, LEFT	1	PCS	5707292456205
122	75364	BRACKET FOR TABLE 1, RIGHT	1	PCS	5707292456182
123	75358	COVER PLATE FOR TABLE 1, RIGHT	1	PCS	5707292456236
124	75359	COVER PLATE FOR TABLE 1, LEFT	1	PCS	5707292456243
125	0661300	BUTTON HEAD M/FLANGE 8*12	4	PCS	5707292408068
126	1940038	ECO-SYN UH Ø4*14	16	PCS	5707292465597
127	1631060	STAINLESS LOCK NUT 6MM	2	PCS	5707292141446
128	0683500	INSEX SCREW 6*35 STAINLESS	2	PCS	5707292139702
129	2502002	FERRULE D18*0,8-2,5 BLACK	4	PCS	5707292433947
135	5037980	UPHOLSTERED ARMREST, LEFT	1	PCS	5707292456434
136	5037981	UPHOLSTERED ARMREST,RIGHT	1	PCS	5707292456441
137	75342	BRACKET FOR ARMREST	2	PCS	5707292456052
138	0602195	INSEX M6*12 STAINLESS	4	PCS	5707292404701
139	1105060	STAINLESS WASHER 6MM	4	PCS	5707292140357
141	75330	BRACKET	1	PCS	5707292456083
142	75337	ROCKER SHAFT F. TABLE	1	PCS	5707292456090
143	75333	ROCKER SHAFT	1	PCS	5707292456120
144	75334	BUSH FOR ROCKER TABLE	1	PCS	5707292456151
145	0659550	BUTTON HEAD M6*20, STAINLESS	2	PCS	5707292139467
146	0603540	INSEX LOW HEAD M8x16 STAINLESS	2	PCS	5707292412485
147	2502002	FERRULE D18*0,8-2,5 BLACK	2	PCS	5707292433947
148	0661200	BUTTON HEAD SCREW 8*12 STAINL.	4	PCS	5707292139542
149	75338	ROCKER SHAFT	1	PCS	5707292456168
150	0102500	O-RING 12,5*2 NBR70	2	PCS	5707292467362
151	1100500	SPRING WASHER 8MM, STAINLESS	4	PCS	5707292140142
154	1100495	SPRING WASHTER M8	2	PCS	5707292458674
155	75345	AKTIVITI PIPE	1	PCS	5707292456175
156	75363	HOLDER FOR ACTIVITY PIPE	2	PCS	5707292456328
157	73819	SAFETY PIN	2	PCS	5707292441447
158	5505015	STRAP FOR TOY BAR	2	PCS	5707292470171
159	3503001	R82 HANDLE M8*15MM SCREW	2	PCS	5707292413925
160	0602483	INSEX LOW HEAD M8x20 STAINLESS	2	PCS	5707292442437
300	75861	JOINT PART-TABLE-RIGHT	1	PCS	5707292480583
301	75860	JOINT PART-TABLE-LEFT	1	PCS	5707292480576
302	1631080	STAINLESS LOCK NUT 8MM	2	PCS	5707292141453
303	0602485	INSEX M8*25,LOW HEAD,STAINLESS	2	PCS	5707292432216
304	75857	PIPE FOR BRACE ON TRAY	1	PCS	5707292480521
305	75859	JOINT-RAIL-RIGHT/LEFT	2	PCS	5707292480552
306	0603540	INSEX LOW HEAD M8x16 STAINLESS	2	PCS	5707292412485
307	2500630	RUBBER 15*5*47CM, BLACK	1	PCS	5707292143808
308	1100495	SPRING WASHER M8	2	PCS	5707292458674

*		CHOOZE SIZE
---	--	-------------

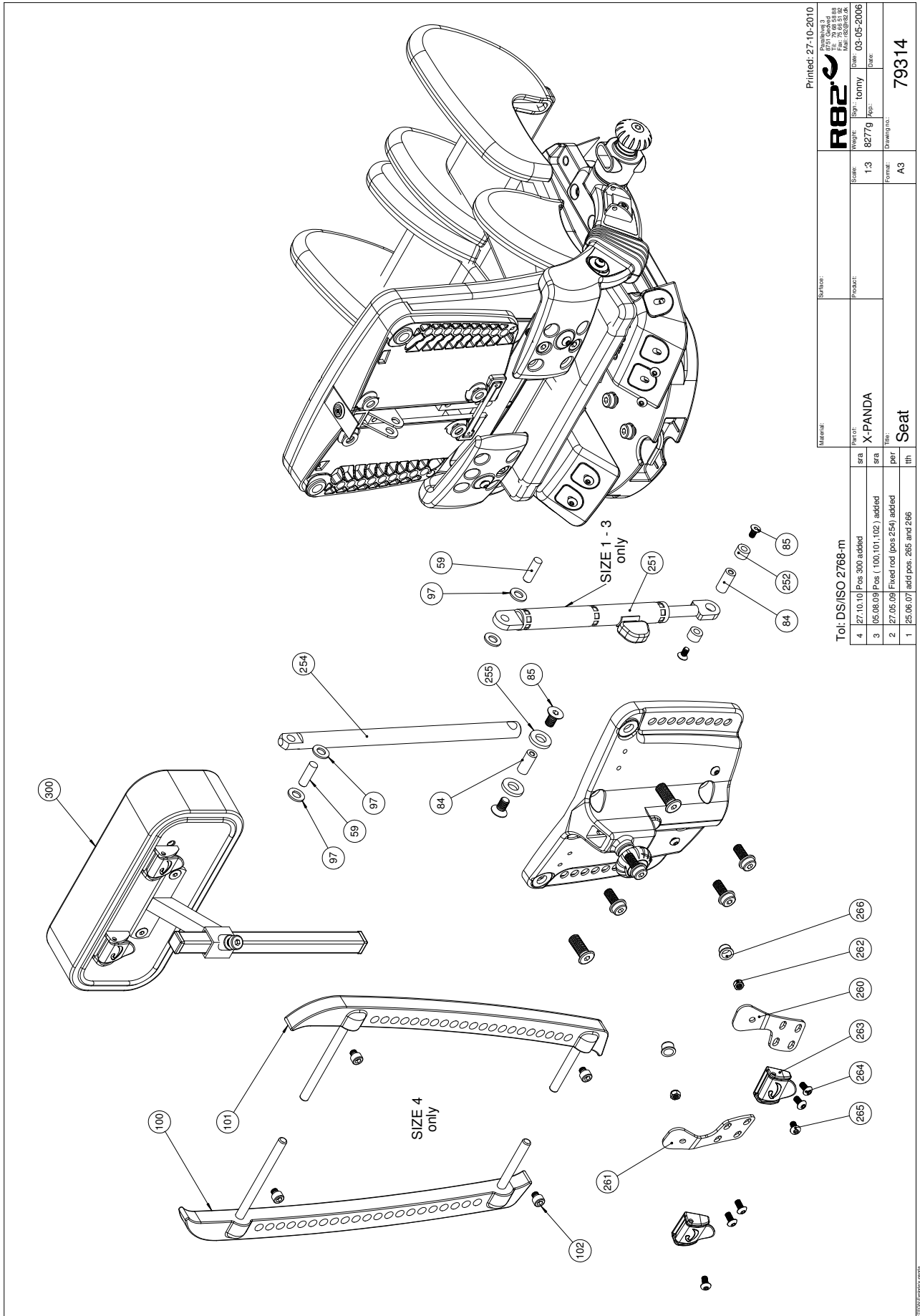


Printed: 06-10-2014

Position	No.	Description	Quantity	Unit of Measure	Ean code
201	5700522	UPHOLST.BACKSIDE SUPP. 2, LEFT	1	PCS	5707292457790
202	5700523	UPHOLST.BACKSIDE SUPP. 2,RIGHT	1	PCS	5707292457806
203	8910401-260	COVER FOR BACK SIDE, TYPE 2	2	PCS	5707292466129
204	5700520	UPHOLST.BACKSIDE SUPP. 1, LEFT	1	PCS	5707292457776
205	5700521	UPHOLST.BACKSIDE SUPP. 1,RIGHT	1	PCS	5707292457783
206	8910401-160	COVER FOR BACK SIDE, TYPE 1	2	PCS	5707292466112
213	5700524	UPHOLST.BACKSIDE SUPP. 3, LEFT	1	PCS	5707292457967
214	5700525	UPHOLST.BACKSIDE SUPP. 3,RIGHT	1	PCS	5707292457974
215	8910401-360	COVER FOR BACK SIDE, TYPE 3	2	PCS	5707292466136
216	5700526	UPHOLST.BACKSIDE SUPP. 4, LEFT	1	PCS	5707292457981
217	5700527	UPHOLST.BACKSIDE SUPP. 4,RIGHT	1	PCS	5707292457998
218	8910401-460	COVER FOR BACK SIDE, TYPE 4	2	PCS	5707292466143
219	75203	M8 NUT	4	PCS	5707292437570
220	0662501	BUTTON HEAD M/FLANGE 8*25	4	PCS	5707292403759
221	75293	BRACKET FOR QUICK SNAP	2	PCS	5707292458001
222	82584	HANDLE, LOCK FOR SIDESUPP.	2	PCS	5707292361073
225	0683500	INSEX SCREW 6*35 STAINLESS	4	PCS	5707292139702
226	75212	M6 NUT	4	PCS	5707292457271
227	5020035	UPHOLST.PLATE FOR BACK X:PANDA 4	1	PCS	5707292512598
228	0624800	INSEX SCREW COUNTERS. 8*16	2	PCS	5707292139054
229	75199	M8 SLIDE BRACKET	1	PCS	5707292507143
230	5027204	COVER BACKSIDES S.5 LEFT+RIGHT	2	PCS	5707292514028
231	5700528	UPHOLST. BACKSIDES S.5 LEFT	1	PCS	5707292514004
232	5700529	UPHOLST. BACKSIDES S.5 RIGHT	1	PCS	5707292514011
281*	5505010	STRAP FOR SEAT SIZE 1, X:PANDA	1	PCS	5707292468277
	5505011	STRAP FOR SEAT SIZE 2, X:PANDA	1	PCS	5707292468284
	5505012	STRAP FOR SEAT SIZE 3, X:PANDA	1	PCS	5707292468291
282	0661501	BUTTON HEAD W/FLANGE 8*16	2	PCS	5707292139542
285*	8910406-1	FOAM FOR BACKREST SIZE 1	1	PCS	5707292467799
	8910406-2	FOAM FOR BACKREST SIZE 2	1	PCS	5707292467805
	8910406-3	FOAM FOR BACKREST SIZE 3	1	PCS	5707292467812
286	8910407	LUMBAR SUPPORT	1	PCS	5707292470409
287*	8910405-1	SEAT WEDGES SIZE 1 - X:PANDA - 6 CM	1	PCS	5707292463272
	8910405-2	SEAT WEDGES SIZE 1+2 - X:PANDA - 8 CM	1	PCS	5707292463289
	8910405-3	SEAT WEDGES SIZE 1+2+3 - X:PANDA - 10 CM	1	PCS	5707292463296
	8910405-4	SEAT WEDGES SIZE 4,LARGE - 12 CM	1	PCS	5707292463302
	8910405-5	SEAT WEDGES SIZE 5,LARGE - 15 CM	1	PCS	5707292463319
	8910405-6	SEAT WEDGES SIZE 6,LARGE MODEL	1	PCS	5707292480309
288	8910405-8	WEDGE F/SEATCUSHION W/O ABD.	1	PCS	5707292480330
290*	5700553	UPHOLST. UPPER ARM SUPPORT S.2, LEFT	1	PCS	5707292488343
	5700551	UPHOLST. UPPER ARM SUPPORT S.1, LEFT	1	PCS	5707292488329
291*	5700552	UPHOLST. UPPER ARM SUPPORT S.2, RIGHT	1	PCS	5707292488336
	5700550	UPHOLST. UPPER ARM SUPPORT S.1, RIGHT	1	PCS	5707292488312
292*	5027231	COVER F.UPPER ARM SUPPORT S.2, LE/RI	2	PCS	5707292488374
	5027230	COVER F.UPPER ARM SUPPORT S.1, LE/RI	2	PCS	5707292488350
293	0631860	INSEX 5*10, FZB	4	PCS	5707292139191
294	1602800	STEELNUT 5MM, FZB	2	PCS	5707292141262
295	5700524	UPHOLST.BACKSIDE SUPP. 3, RIGHT	1	PCS	5707292457967
296	5700525	UPHOLST.BACKSIDE SUPP. 3, LEFT	1	PCS	5707292457974

297	8910401-460	Cover for back side, type 4	2	PCS	5707292466143
-----	-------------	-----------------------------	---	-----	---------------

*		CHOOZE SIZE			
---	--	-------------	--	--	--



Printed: 27-10-2010

Material:		Parallevej 3	
Part no.:		R82	
Scale:		1:3	
Product:		X-PANDA	
Weight:		8277g	
Person:		tommy	
Date:		03-05-2006	
Drawing no.:		79314	
Title:		Seat	
Part no.:		79314	

To: DS/ISO 2768-m

4	27.10.10	Pos. 300 added
3	05.08.09	Pos. (100,101,102) added
2	27.05.09	Fixed rod pos. 254) added
1	25.06.07	add pos. 265 and 266

Position	No.	Description	Quantity	Unit of Measure	Ean code
59	0530004	CYL.PIN Ø8*25 MM	1	PIECES	5707292442451
84	75214	BUSH ø10x27-M6	1	PIECES	5707292458889
85	0609727	STAINLESS INSEX 6*12 UH	2	PIECES	5707292138484
97	1310711	NYLON WASHER 15*8,4*1,5MM	2	PIECES	5707292429933
100	75105	BACK EXTENSION RIGHT, X:PANDA 4	1	PIECES	5707292506986
101	75106	BACK EXTENSION LEFT, X:PANDA 4	1	PIECES	5707292506993
102	0602479	INSEX M6*8, RUSTFRI	4	PIECES	5707292465412
251*	2207010	SPRINGSTOPPER L=260/200	1	PIECES	5707292461117
	2207020	SPRINGSTOPPER L=330/270	1	PIECES	5707292461124
252	1310675	DISTANCE PIECE BLACK Ø15,5*10,5*8MM	2	PIECES	5707292463876
254*	75165	ALU. BAR FOR BACK SIZE 1+2	1	PIECES	5707292515032
	75166	ALU. BAR FOR BACK SIZE 3	1	PIECES	5707292515049
	75385	ALU. BAR FOR BACK SIZE 4	1	PIECES	5707292515056
255	1310712	NYLON WASHER, NATURE	2	PIECES	5707292356345
260	75310	FITTING FOR FIXLOCK, RIGHT	1	PIECES	5707292466013
261	75311	FITTING FOR FIXLOCK, LEFT	1	PIECES	5707292466020
262	1606300	LOCK NUT 5 MM	2	PIECES	5707292141354
263	75306	SNAP LOCK R82 25	2	PIECES	5707292437624
264	0640911	BUTTON HEAD M5*10 FZB TUFLOK	4	PIECES	5707292428479
265	0658010	BUTTON HEAD M5 X 10,STAINLESS	2	PIECES	5707292139375
266	2501404	NUT PROTECTION, BLACK, M5	2	PIECES	5707292466495
300*	8910655-160	BACK REST EXTENSION, BLACK, SIZE 1	1	PIECES	5707292542007
	8910655-260	BACK REST EXTENSION, BLACK, SIZE 2	1	PIECES	5707292542014
	8910655-360	BACK REST EXTENSION, BLACK, SIZE 3	1	PIECES	5707292542021

*		CHOOZE SIZE
---	--	-------------