

Rabbit Up

Exploded views / Part lists

Rev. date (2024.02)

On the following pages you will find the parts used to assemble this product. Please note that some spare parts cannot be purchased individually but are part of a complete kit. Please also note that for some spare parts extra delivery time may occur.



Contents

Rabbit Up, Mobile stander •	3
Item numbers for Rabbit Up, Mobile stander	4
Rabbit Up, Stander •	6
Item numbers for Rabbit Up, Stander	7
Foot plates, foot supports and knee supports •	8
Item numbers for Foot plates, foot supports and knee supports	9
Chest supports, back supports, head support •	12
Item numbers for Chest supports, back supports, head support.....	13
Table - High mount (862525) •	16
Item numbers for Table - High mount (862525).....	17
Table - High mount (862525) •	18
Item numbers for Table - High mount (862525).....	19

Rabbit Up, Mobile stander

Spindle for angle adjustment

Wheels with closed pushrim

R82 A/S
 Havnshøjvej 2
 2600 Lyngby
 Denmark
 Tel: +45 79 68 58 88
 Fax: +45 75 66 51 92
 E-mail: R82@etac.com
 Web: etac.com

Checked by: NKAL
 Reviewed by: NKAL
 Drawing date: 19-02-2018
 Revision: 2
 Part no.: 1062
 Item no.: 137274

Rabbit UP

100mm wheels with brake

3° camber unit

6° camber unit

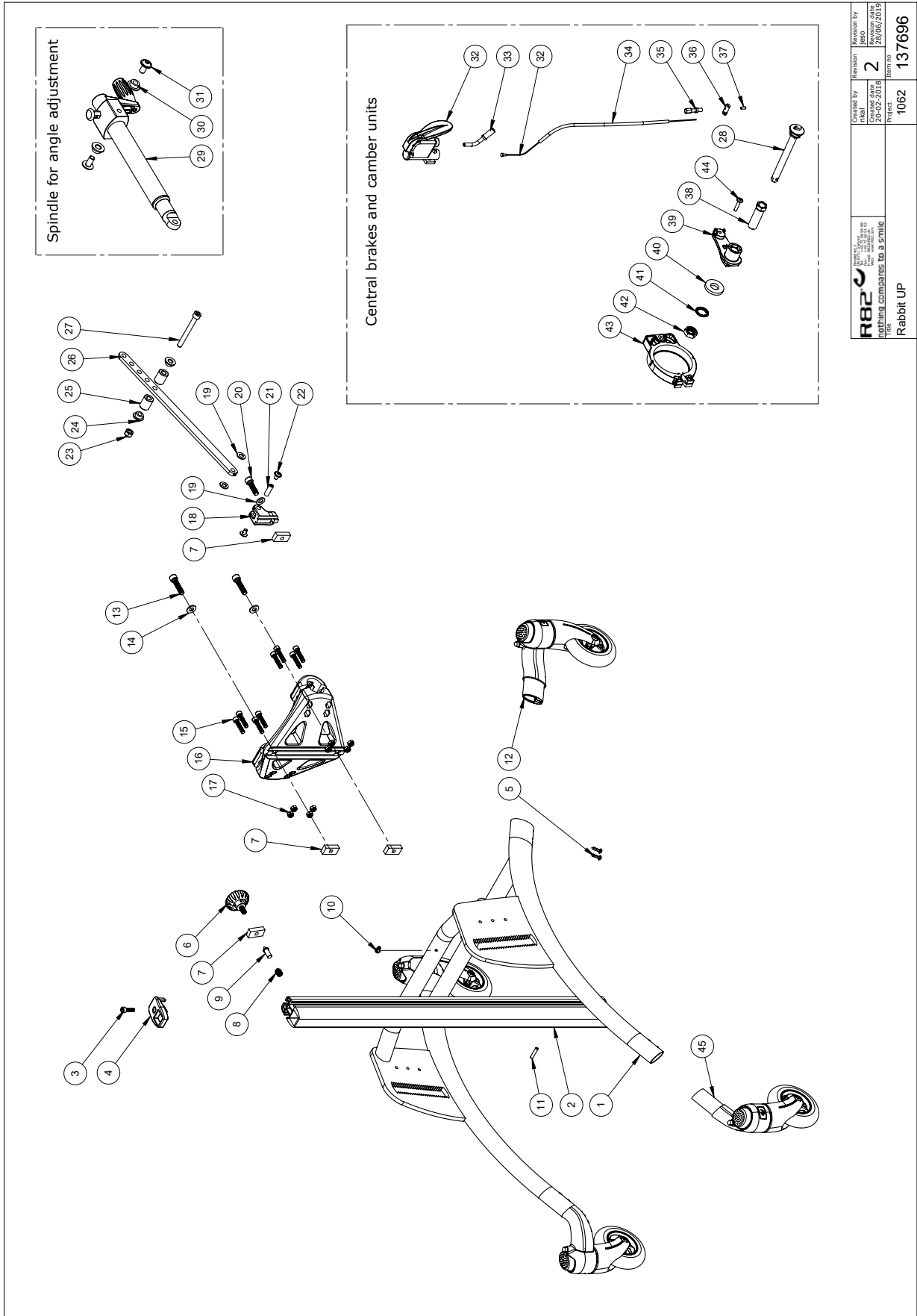
© 1999/2003/2005/2006/2008/2010/2012/2014/2016/2017/2018/2019 R82 A/S

Item numbers for Rabbit Up, Mobile stander

Position	No.	Description	Quantity	Unit of Measure	Ean code
1	137407	Frame size 1	1	PCS	5707292840011
1	134927	Frame size 2 for Rabbit	1	PCS	5710000000000
1	137408	Frame size 3	1	PCS	5710000000000
1	137410	Frame size 4	1	PCS	5710000000000
2	73621	Profile size 1, 500 mm	1	PCS	5707292435965
2	73622	Profile size 2, 700 mm	1	PCS	5710000000000
2	73623	Profile size 3, 800 mm	1	PCS	5710000000000
2	73624	Profile size 4, 1000	1	PCS	5710000000000
3	0602200	Insex screw 6*16	1	PCS	5707292138095
4	72610	Plug for pile	1	PCS	5707292420718
5	1940034	Eco-drill M4,2*22	8	PCS	5707292423115
6	3502545	R82 handle dia.45 M8*15mm	1	PCS	5707292450456
7	72694	Slidebar	4	PCS	5707292407931
8	0310521	Compression spring 1.2*8	1	PCS	5707292450463
9	72611	Trust pad	1	PCS	5707292450500
10	1902730	CROSSHEAD SCREW M5*10, FZB	2	PCS	5707292433084
11	0589230	Stainless spring pin 5*30	1	PCS	5707292436603
12	5086103-1	3" wheel monted size 1	4	PCS	5707292620064
12	5086104-1	3" wheel monted size 2+3	4	PCS	5710000000000
12	5086105-1	4" Wheel mounted size 4	4	PCS	5710000000000
13	0603000	Insex screw 8*35	2	PCS	5707292138217
14	1102010	Face plate 8,4*18*2mm, FZB	2	PCS	5707292429766
15	0602401	Insex screw 6*30	8	PCS	5707292138125
16	5086120	Mounting plate w/bearing shell	1	SET	5707292497253
17	1606500	Lock nut 6 mm	8	PCS	5707292141361
18	72701	Knee joint	1	PCS	5707292420824
19	1103200	Fazet washer 8mm	1	PCS	5707292140296
19, 23-27	138958-1 MANUEL	Manual Adj. Rabbit Up Sz.1	1	PCS	5707292866820
19, 23-27	138925-2 MANUEL	Manual Adj. Rabbit Up Sz.2	1	PCS	5707292866837
20	0602600	Insex 8*30	1	PCS	5707292138170
21	72702	Shaft	1	PCS	5707292407924
22	0602185	Button head with flange M6*8	2	PCS	5707292877482
28	2983057	Qr axel Panther db	2	PCS	5707292517159
29+30+31	137696 SPINDEL	Spindle for angle adj.	1	PCS	5707292845290
32	5086110	Handgrip f. Brake comp.rabbit	2	PCS	5707292458209
33	0389000	Angled cable tightener, 45°	2	PCS	5707292136152
34	5002997	Braking cable, rabbit, 35 cm	2	PCS	5707292436009
34	5001600	Cable for back new Rabbit	2	PCS	5710000000000
34	5002756	Cable for recline, outer 1-4	2	PCS	5710000000000
35	0380000	Cable tighter M5*23	2	PCS	5707292135933
36	0380100	Clip for cable	2	PCS	5707292136015
37	0387000	End nipple for outer casing	2	PCS	5707292136091
38	137168	Adaptor for Rabbit-up	2	PCS	5707292844255
39+40	137274- 0 GR.	0 gr. camber unit Rabbit Up	1	SET	5707292845306

Position	No.	Description	Quantity	Unit of Measure	Ean code
39+40	137274-3 GR.	3 DEGREES CAMBERUNIT RABBIT UP	1	SET	5707292845313
39+40	137274-6 GR.	6 GR. CAMBER UNIT RABBIT UP	1	SET	5707292845320
41	1140811	Lock washer stainless M16	2	PCS	5707292844545
42	2983092	Nut for Rabbit up	2	PCS	5707292841926
43	2983060	Band brake wo/washer, Rabbit	2	PCS	5707292436528
44	0640929	M5 * 25 - F.H. screw w.6K hole	2	PCS	5707292838094
45	3102422	22" wheel open pushrim	2	PCS	5707292832894
45	3102424	24" wheel open pushrim	2	PCS	5707292832900
45	3102426	26" wheel open pushrim	2	PCS	5707290000000
45	3102429	29" wheel open pushrim	2	PCS	5710000000000
45	3102432	32" wheel open pushrim	2	PCS	5707292832931
45	3102436	36" wheel open pushrim	2	PCS	5710000000000
46	134304	Wheel mount size 1, right	2	PCS	5710000000000
46	134244	Wheel mount size 2-3, right	2	PCS	5707292866714
47	135002	Wheel mount size 1, left	2	PCS	5710000000000
47	134223	Wheel mount size 2-3, left	2	PCS	5707292866707
48+49+50	137274-3 GR.	3 degrees camberunit Rabbit Up	1	SET	5707292845313
51+52+53	137274-6 GR.	6 gr. camber unit Rabbit Up	1	SET	5710000000000
54	3202622	22" wheel closed pushrim	2	PCS	5707292809469
54	3202624	24" wheel closed pushrim	2	PCS	5707292809476
54	3202626	26" wheel closed pushrim	2	PCS	5710000000000
54	3202629	29" wheel closed pushrim	2	PCS	5707292809490
54	3202632	32" wheel closed pushrim	2	PCS	5707292809506
54	3202636	36" wheel closed pushrim	2	PCS	5710000000000

Rabbit Up, Stander



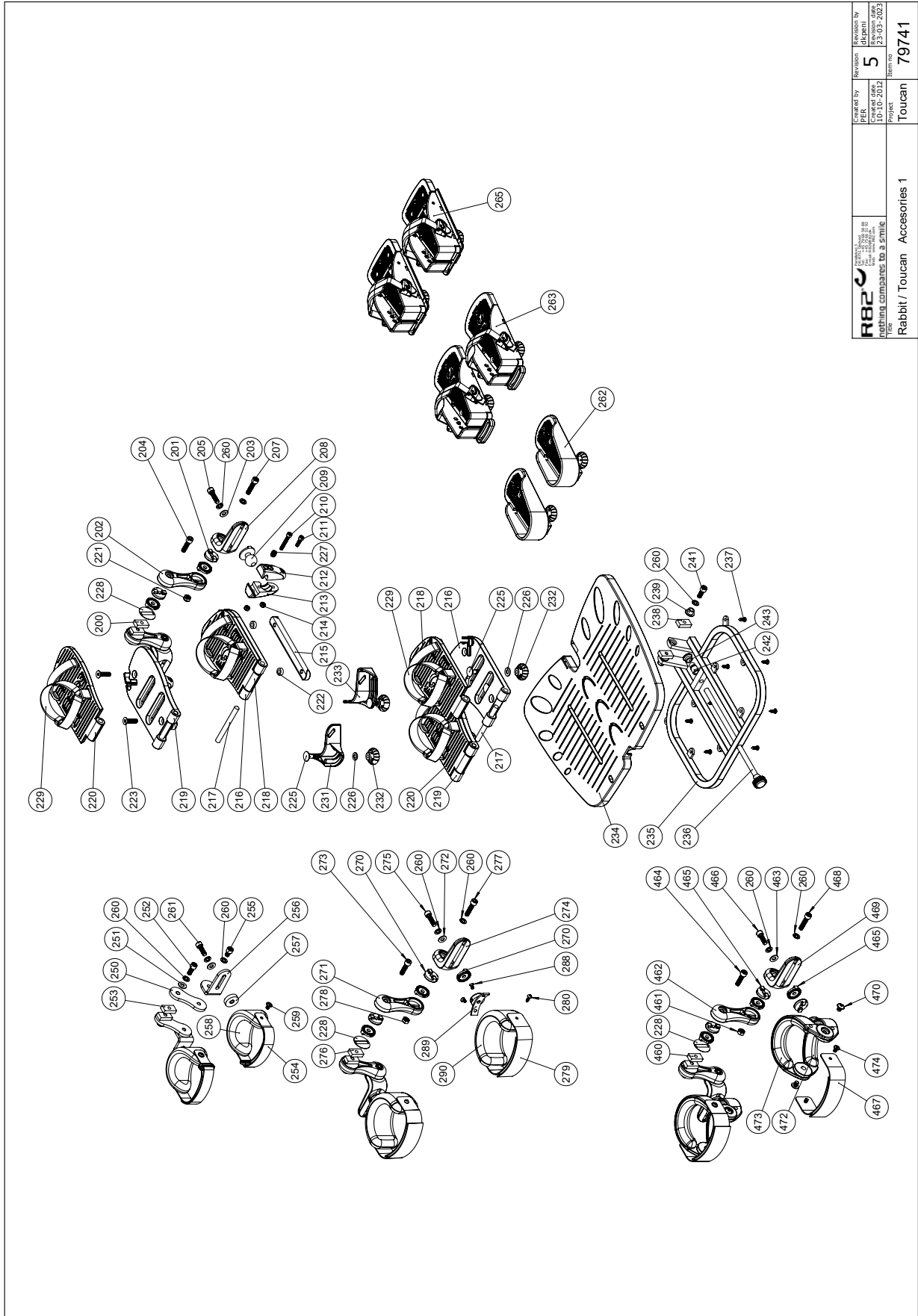
<p>R82 Nothing compares to a smile</p>	<p>Created by JYBA</p>	<p>Revision 2</p>	<p>Revision by JYBA</p>
	<p>Created date 20-02-2018</p>	<p>Item no 1062</p>	<p>Revision date 28/06/2019</p>
<p>Project Rabbit UP</p>		<p>Item no 137696</p>	

C:\PMP\Projects\2019\Rabbit Up\137696

Item numbers for Rabbit Up, Stander

Position	No.	Description	Quantity	Unit of Measure	Ean code
1	137407	Frame size 1	1	PCS	5707292840011
2	73621	Profile size 1, 500 mm	1	PCS	5707292435965
3	0602200	Insex screw 6*16	1	PCS	5707292138095
4	72610	Plug for pile	1	PCS	5707292420718
5	1940034	Eco-drill M4,2*22	8	PCS	5707292423115
6	3502545	R82 handle dia.45 M8*15mm	1	PCS	5707292450456
7	72694	Slidebar	4	PCS	5707292407931
8	0310521	Compression spring 1.2*8	1	PCS	5707292450463
9	72611	Trust pad	1	PCS	5707292450500
10	1902730	Crosshead screw M5*10, FZB	2	PCS	5707292433084
11	0589230	Stainless spring pin 5*30	1	PCS	5707292436603
12	134304	Wheel mount size 1, right	2	PCS	5707292866684
13	0603000	Insex screw 8*35	2	PCS	5707292138217
14	1102010	Face plate 8,4*18*2mm, FZB	2	PCS	5707292429766
15	0602401	Insex screw 6*30	8	PCS	5707292138125
16	5086120	MOUNTING PLATE W/BEARING SHELL	1	SET	5707292497253
17	1606500	Lock nut 6 mm	8	PCS	5707292141361
18	72701	Knee joint	1	PCS	5707292420824
19	1103200	Fazet washer 8mm	1	PCS	5707292140296
19+23-27	138958-1 MANUEL	manuel just. Rabbit up Str 1	1	PCS	5707292866820
20	0602600	Insex 8*30	1	PCS	5707292138170
21	72702	Shaft	1	PCS	5707292407924
22	0602185	Button head with flange M6*8	2	PCS	5707292877482
28+32-44	137696 CB-KIT 1	Brake cable KIT	1	PCS	5707292845535
29+30+31	137696 SPINDEL	Spindel for vinkeljustering	1	PCS	5707292845290
45	135002	Wheel mount size 1, left	2	PCS	5707292866691

Foot plates, foot supports and knee supports



 R82 A/S Helping companies to a smile	Created by Toucan	Revision 5	Revision by Toucan
	Project Toucan	Created date 10-10-2012	Revision date 23-03-2023
Part name Rabbit / Toucan Accessories 1		Item no. 79741	

Copyright © 2023 R82 A/S. All rights reserved. Toucan 79741 4/26

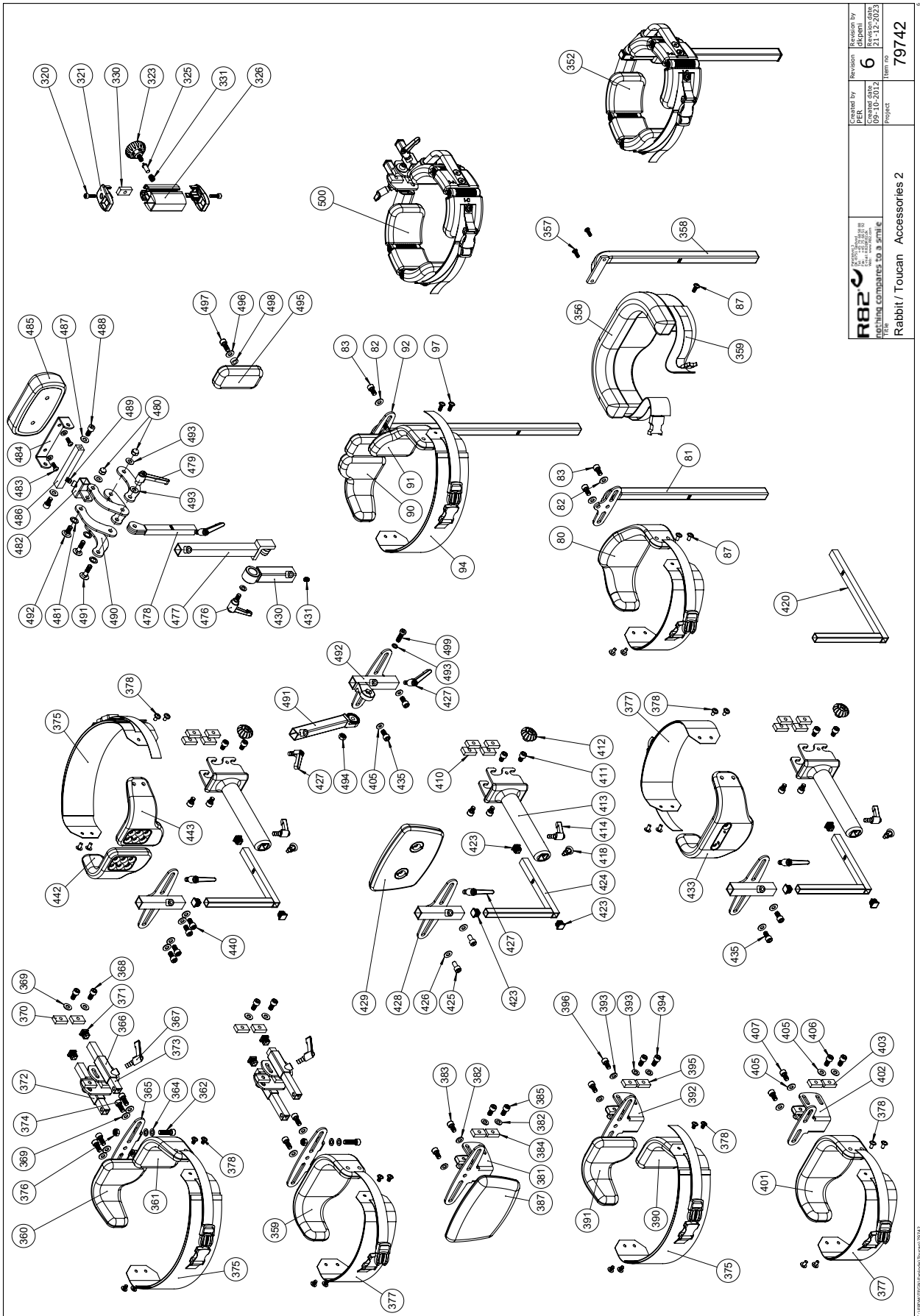
Item numbers for Foot plates, foot supports and knee supports

Position	No.	Description	Quantity	Unit of Measure	Ean code
200	72694	Slidebar	2	PCS	5707292407931
201	74062	Toothed disk 30*14	8	PCS	5707292377951
202	72712	Knee joint	2	PCS	5707292420756
203	1102010	Face plate 8,4*18*2mm, FZB	2	PCS	5707292429766
204	0602600	Insex 8*30	2	PCS	5707292138170
205	0602700	Insex screw 8*25	2	PCS	5707292138187
207	0603000	Insex screw 8*35	2	PCS	5707292138217
208	72713	Bracketed	2	PCS	5707292420763
209	72721	Ballhead	2	PCS	5707292428875
210	0602440	Insex M6*40 FZB	2	PCS	5707292138149
211	0602300	Insex screw 6*20	2	PCS	5707292138101
212	72723	Ball joining left	2	PCS	5707292421814
213	72724	Ball joining right	2	PCS	5707292421845
214	1606500	Lock nut 6 mm	4	PCS	5707292141361
215	72722	Bracket for flip upp sandal	2	PCS	5707292406163
216	72934	Footplate size 1, right, fixed	1	PCS	5707292428905
216	72937	Footplate size 2, right, fixed	1	PCS	5707292428950
216	72940	Footplate size 3, left, mobile	1	PCS	5707292438959
217	72709	Shaft size 1, flip up	2	PCS	5707292428981
217	72708	Shaft size 2, flip up	2	PCS	5707292428998
217	72707	Shaft size 3, flip up	2	PCS	5707292440730
218	72933	Footplate size 1, right,mobile	1	PCS	5707292428899
218	72938	Footplate size 2, right,mobile	1	PCS	5707292428967
218	72942	Footplate size 3, right	1	PCS	5707292438928
219	72932	Footplate size 1, left, fixed	1	PCS	5707292428929
219	72935	Footplate size 2, left, fixed	1	PCS	5707292428936
219	72939	Footplate size 3, left	1	PCS	5707292438935
220	72931	Footplate size 1, left, mobile	1	PCS	5707292428912
220	72936	Footplate size 2, left, mobile	1	PCS	5707292428943
220	72941	Footplate size 3, right, fixed	1	PCS	5707292438942
221	1607000	Lock nut 8mm, large pack	2	PCS	5707292141378
222	1310541	Distance piece 1878,2*5mm	4	PCS	5707292429926
223	0625000	Insex screw counters. 8*30	4	PCS	5707292139085
225	1905600	Board bolt 8*30mm	4	PCS	5707292142337
226	1102010	Face plate 8,4*18*2mm, FZB	4	PCS	5707292429766
227	0701010	Set screw M10*10 w/flat end	2	PCS	5707292434098
228	72717	Disk for footrest	2	PCS	5707292434760
229	5540520	Footstrap for flip up size 1	1	SET	5707292435538
229	5540525	Footstrap for flip up size 2+3	1	SET	5707292435545
229	5540530	Footstrap for flip up size 3	1	SET	5707292438171
231	72696	Heelunit, heelsupport	1	PCS	5707292421715
231	72710	HEEL SUPPORT SIZE 2	1	PCS	5707292436832
232	3501501	R82 handle M8*15mm nut	4	PCS	5707292413949
233	72697	Heelunit, heelsupport	1	PCS	5707292421722
233	72711	Heel support size 2	1	PCS	5707292436849
234	72685	Footplate size 1, Toucan	1	PCS	5707292420596
234	72684	Footplate size 2, Toucan	1	PCS	5707292420626
235	72690	Carryprofile, size 1 footlate	1	PCS	5707292420572

Position	No.	Description	Quantity	Unit of Measure	Ean code
235	72681	Carryprofile, size 2 footplate	1	PCS	5707292406231
236	3502790	Hand grip 28mm, M10*196mm	1	PCS	5707292363152
236	72698	Spindle, footrest size 2	1	PCS	5707292420787
237	1940027	Ecosyn phx 5*14 Torx FZB	8	PCS	5707292577818
238	72694	Slidebar	2	PCS	5707292407931
239	72686	Bush for footrest, Toucan	2	PCS	5707292420534
241	0602850	Insex M8*22, FZB	2	PCS	5707292435408
242	72703	End bush with ball	1	PCS	5707292428523
243	72704	Thrust pad	1	PCS	5707292428530
250	72861	Arm	2	PCS	5707292420701
251	1102010	Face plate 8,4*18*2mm, FZB	4	PCS	5707292429766
252	0602800	Insex screw 8*20	2	PCS	5707292138194
253	72694	Slidebar	2	PCS	5707292407931
254	5540515	Strap size 1, knee supp.toucan	2	PCS	5707292434449
255	0602500	insex screw 8*12	2	PCS	5707292138163
256	72862	Angle	2	PCS	5707292420657
257	72863	Disc, for kneesupport	2	PCS	5707292420725
258	72860	Kneesupport size 1	2	PCS	5707292420732
259	0659010	Button head with flange M6*10	4	PCS	5707292356819
260	1101000	Center spring washer 8mm	4	PCS	5707292140173
261	0602700	Insex screw 8*25	2	PCS	5707292138187
262	86149	Formed foot plates, set, 175 mm long	1	PCS	5707292574787
	86147	Formed foot plates, set, 215 mm long	1	PCS	5707292128812
	86148	Formed foot plates, set, 240 mm long	1	PCS	5707292128829
263	869490	Sandaler small	1	PCS	5707292795274
	869491	Sandaler medium	1	PCS	5707292795281
270	74062	Toothed disk 30*14	10	PCS	5707292377951
271	72712	Knee joint	2	PCS	5707292420756
272	1102010	Face plate 8,4*18*2mm, FZB	2	PCS	5707292429766
273	0602600	Insex 8*30	2	PCS	5707292138170
274	72713	Bracked	2	PCS	5707292420763
275	0602600	Insex 8*30	2	PCS	5707292138170
276	72694	Slidebar	2	PCS	5707292407931
277	0603000	Insex screw 8*35	2	PCS	5707292138217
278	1607000	Lock nut 8mm, large pack	2	PCS	5707292141378
279	5540220	Girth for kneesupport,size 2+3	2	PCS	5707292178206
280	0640913	Button head/flange M5*10 FZB	4	PCS	5707292558985
288	0631860	Insex 5*10, FZB	4	PCS	5707292139191
289	72716	Tooth brace	2	PCS	5707292420770
290	6175161	Kneesupport size 1 Panda	2	PCS	5707292189288
290	6175162	Kneesupport size 2 Panda	2	PCS	5707292189295
460	72694	Slidebar	2	PCS	5707292407931
461	1607000	Lock nut 8mm, large pack	2	PCS	5707292141378
462	72712	Knee joint	2	PCS	5707292420756
463	1102010	Face plate 8,4*18*2mm, FZB	2	PCS	5707292429766
464	0602600	Insex 8*30	2	PCS	5707292138170
465	74062	Toothed disk 30*14	12	PCS	5707292377951
466	0603000	Insex screw 8*35	2	PCS	5707292138217
467	5540515	Strap size 1, knee supp.toucan	2	PCS	5707292434449

Position	No.	Description	Quantity	Unit of Measure	Ean code
467	5540220	Girth for kneesupport,size 2+3	2	PCS	5707292178206
468	0603000	Insex screw 8*35	2	PCS	5707292138217
469	72713	Bracked	2	PCS	5707292420763
470	0640907	Button head with flange M8*10	4	PCS	5707292441119
472	72751-1	Inner Knee support size 1	2	PCS	5707292506573
472	72753-1	Inner Knee support size 2	2	PCS	5707292506597
472	72755-1	Inner Knee support size 3	2	PCS	5707292506610
473	72752-1	Outer knee support size 1	2	PCS	5707292506580
473	72754-1	Outer knee support size 2	2	PCS	5707292506603
473	72756-1	Outer knee support size 3	2	PCS	5707292506627
474	0631990	Button head with flange M6*8	4	PCS	5707292517333
474	0659010	Button head with flange M6*10	4	PCS	5707292356819

Chest supports, back supports, head support



	Created by 09-10-2012	Revision 6	Revision by 21-12-2023
Rabbit / Toucan Accessories 2		Project	Item no. 79742

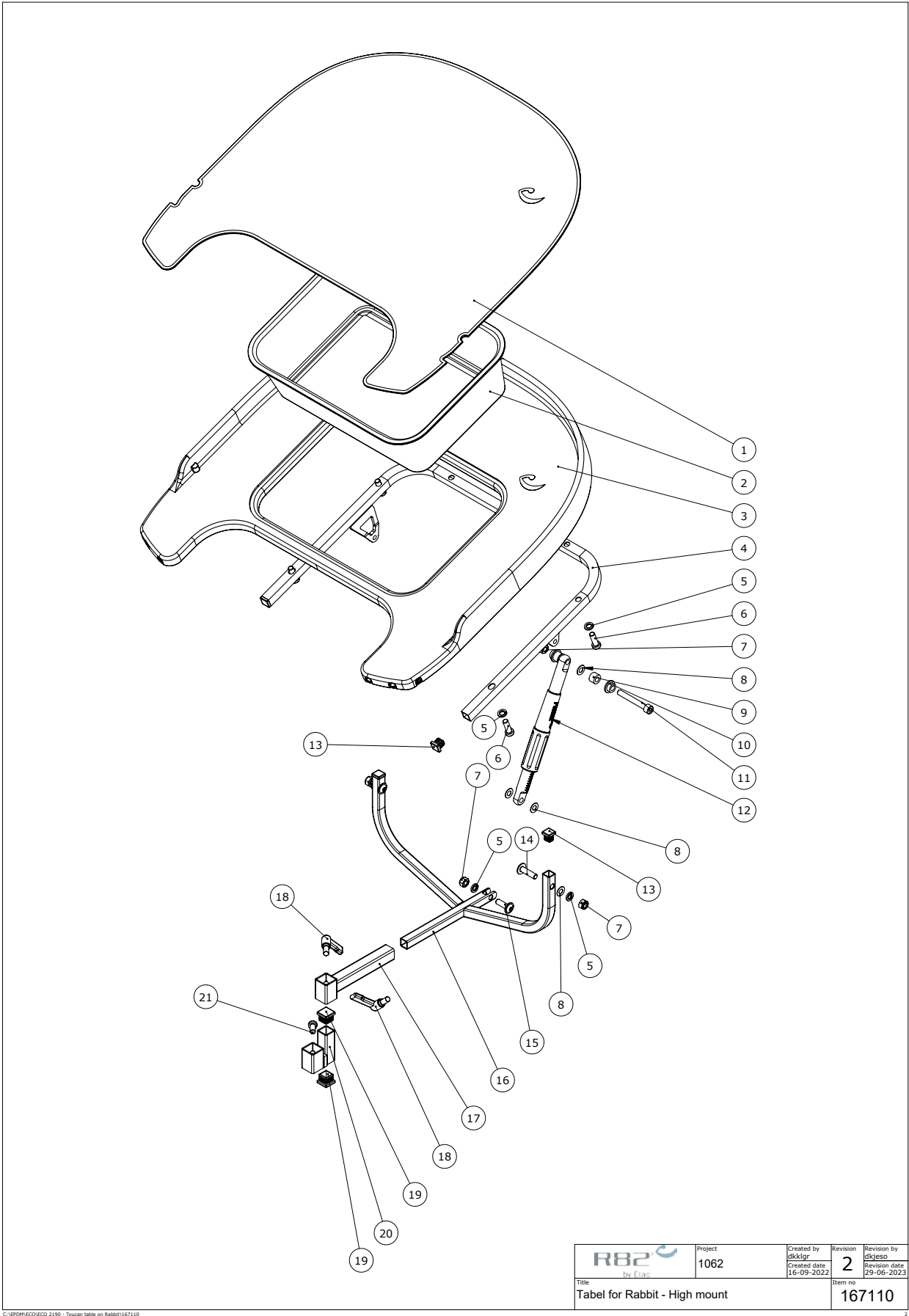
Item numbers for Chest supports, back supports, head support

Position	No.	Description	Quantity	Unit of Measure	Ean code
80	72820	CHESTSUPPORT SIZE 1	1	PCS	5707292421340
81	72783	MOUNTING POLE SIZE 1	1	PCS	5707292421647
82	1102010	FACE PLATE 8,4*18*2MM, FZB	2	PCS	5707292429766
83	0602950	Insex M8*14 mm FZB	2	PCS	5707292564016
84	5540506	STRAP SIZE 1, 80 MM TOUCAN	1	PCS	5707292457363
87	0659011	BUTTON HEAD WITH FLANGE M6*10	4	PCS	5707292505507
90*	72830	CHESTSUPPORT SIZE 2 RIGHT	1	PCS	5707292421357
	72840	CHESTSUPPORT SIZE 3 RIGHT	1	PCS	5707292421371
91*	72831	CHESTSUPPORT SIZE 2 LEFT	1	PCS	5707292421364
	72841	CHESTSUPPORT SIZE 3 LEFT	1	PCS	5707292421388
92	72994	Mounting pole size 1	1	PCS	5707292480255
94	5540508	STRAP SZ.2, 80MM TOUCAN	1	PCS	5707292457370
	5540511	Strap size 3, 80 mm Toucan	1	PCS	5707292457387
97	0659011	BUTTON HEAD WITH FLANGE M6*10	4	PCS	5707292505507
320	0602200	INSEX SCREW 6*16	2	PCS	5707292138095
321	72610	PLUG FOR PILE	2	PCS	5707292420718
323	3502545	R82 HANDLE DIA.45 M8*15MM	1	PCS	5707292450456
325	72611	TRUST PAD	1	PCS	5707292450500
326	72609	PROFILE SIZE 7, 80 MM	1	PCS	5707292438805
330	72694	SLIDEBAR	1	PCS	5707292407931
331	0310521	Compression spring 1.2*8	1	PCS	5707292450463
356	6175190	CHESTSUPPORT F/PONY 0,PU	1	PCS	5707292189325
357	0641600	BUTTON HEAD SCREW 6*16	1	PCS	5707292139269
358	72770	MOUNTING POLE (SIZE 1)	1	PCS	5707292483775
359	72820	Chestsupport size 1	1	PCS	5707292421340
360*	72831	CHESTSUPPORT SIZE 2 LEFT	1	PCS	5707292421364
	72841	CHESTSUPPORT SIZE 3 LEFT	1	PCS	5707292421388
361*	72830	CHESTSUPPORT SIZE 2 RIGHT	1	PCS	5707292421357
	72840	CHESTSUPPORT SIZE 3 RIGHT	1	PCS	5707292421371
362	0602600	INSEX 8*30	2	PCS	5707292138170
364	1310711	NYLON WASHER 15*8,4*1,5MM	4	PCS	5707292429933
365	72904	MOUNTING CROSS	1	PCS	5707292424846
366	72901	BRACKED RIGH,ROTATE HIPSUPPORT	1	PCS	5707292428332
367	3502516	TIGHTENING HANDLE 45MM M8*16	2	PCS	5707292146915
368	0602900	INSEX SCREW 8*16	4	PCS	5707292138200
369	1102010	FACE PLATE 8,4*18*2MM, FZB	6	PCS	5707292429766
370	72694	SLIDEBAR	4	PCS	5707292407931
371	2504000	FERRULE E15*1,0-2,0 INT.BLACK	2	PCS	5707292144102
372	72902	HEIGHT REGULATION, RABBIT	1	PCS	5707292423054
373	72903	LASER CUT PIPE 15*15*1,5*100	2	PCS	5707292424822
374	0602950	Insex M8*14 mm FZB	2	PCS	5707292564016
375*	5540508	STRAP SIZE 2, 80MM TOUCAN	1	PCS	5707292457370
	5540511	STRAP SIZE 3, 80 MM TOUCAN	1	PCS	5707292457387
376	1607000	LOCK NUT 8MM, LARGE PACK	2	PCS	5707292141378
377	5540506	STRAP SIZE 1, 80 MM TOUCAN	1	PCS	5707292457363
378	0659011	BUTTON HEAD WITH FLANGE M6*10	4	PCS	5707292505507
381	72773	MOUNTING CROSS	1	PCS	5707292406194
382	1102010	FACE PLATE 8,4*18*2MM, FZB	6	PCS	5707292429766

Position	No.	Description	Quantity	Unit of Measure	Ean code
383	0602505	Insex M8*18, FZB	2	PCS	5707292420749
384	72694	SLIDEBAR	4	PCS	5707292407931
385	0602900	INSEX SCREW 8*16	4	PCS	5707292138200
387	72850	BACK SUPPORT	1	PCS	5707292423023
390*	72830	CHESTSUPPORT SIZE 2 RIGHT	1	PCS	5707292421357
	72840	CHESTSUPPORT SIZE 3 RIGHT	1	PCS	5707292421371
391*	72831	CHESTSUPPORT SIZE 2 LEFT	1	PCS	5707292421364
	72841	CHESTSUPPORT SIZE 3 LEFT	1	PCS	5707292421388
392	72773	MOUNTING CROSS	1	PCS	5707292406194
393	1102010	FACE PLATE 8,4*18*2MM, FZB	8	PCS	5707292429766
394	0602900	INSEX SCREW 8*16	4	PCS	5707292138200
395	72694	SLIDEBAR	4	PCS	5707292407931
396	0602950	Insex M8*14 mm FZB	4	PCS	5707292564016
401	72820	CHESTSUPPORT SIZE 1	1	PCS	5707292421340
402	72774	MOUNTING CROSS SIZE 1	1	PCS	5707292421609
403	72694	SLIDEBAR	4	PCS	5707292407931
405	1102010	FACE PLATE 8,4*18*2MM, FZB	6	PCS	5707292429766
406	0602900	INSEX SCREW 8*16	4	PCS	5707292138200
407	0602950	Insex M8*14 mm FZB	2	PCS	5707292564016
410	72694	SLIDEBAR	4	PCS	5707292407931
411	0602500	INSEX SCREW 8*12	4	PCS	5707292138163
412	3503001	R82 HANDLE M8*15MM SCREW	1	PCS	5707292413925
413	75300	HANDLE, BACKSUPPORT	1	PCS	5707292510495
414	3502115	TIGHTNING HANDLE M6X15MM	1	PCS	5707292146854
418	0380184	Spec. Locking house M10*1,28mm	1	PCS	5707292366030
423	2504000	FERRULE E15*1,0-2,0 INT.BLACK	1	PCS	5707292144102
424	139275	TUBE ANGLE, BACKSUPPORT	1	PCS	5707292869548
425	0602505	Insex M8*18, FZB	2	PCS	5707292420749
426	1102010	FACE PLATE 8,4*18*2MM, FZB	2	PCS	5707292429766
427	3502516	TIGHTENING HANDLE 45MM M8*16	1	PCS	5707292146915
428	72738	MOUNTING CROSS, BACKSUPPORT	1	PCS	5707292422989
429	72850	BACK SUPPORT	1	PCS	5707292423023
430	72737	MOUNTING FOR HEADSUPPORT	1	PCS	5707292422972
431	0808020	STAINLESS STOPSCREW,M8*12	1	PCS	5707292140074
433	72820	CHESTSUPPORT SIZE 1	1	PCS	5707292421340
435	0602950	Insex M8*14 mm FZB	2	PCS	5707292564016
440	0602950	Insex M8*14 mm FZB	4	PCS	5707292564016
442	72830	CHESTSUPPORT SIZE 2 RIGHT	1	PCS	5707292421357
442	72840	CHESTSUPPORT SIZE 3 RIGHT	1	PCS	5707292421371
443	72831	CHESTSUPPORT SIZE 2 LEFT	1	PCS	5707292421364
443	72841	CHESTSUPPORT SIZE 3 LEFT	1	PCS	5707292421388
475	3502516	TIGHTENING HANDLE 45MM M8*16	2	PCS	5707292146915
476	3502600	TIGHTENING HANDLE 65MM M8*16	2	PCS	5707292146922
477	82563	ARM WITH CONUS	1	PCS	5707292124807
477	82573	ARM WITH CONUS 2+3	1	PCS	5707292124906
478	81123	ROD FOR NECK SUPPORT (STD.NL)	1	PCS	5707292112484
478	81894	ROD FOR NECK SUPPORT, TURTLE	1	PCS	5707292119643
479	3502300	TIGHTENING HANDLE 65MM M8 BUSH	1	PCS	5707292146885
480	1780800	TOP NUT 8MM	2	PCS	5707292141569

Position	No.	Description	Quantity	Unit of Measure	Ean code
481	1102000	PLANING WASHER 8MM	4	PCS	5707292140227
482	81893	ROD FOR NECK SUPPORT	1	PCS	5707292119636
483	0641600	BUTTON HEAD SCREW 6*16	2	PCS	5707292139269
484	81410	U-MOUNTING FOR NECK-SUPPORT	1	PCS	5707292115133
485	6171550	HEADREST SIZE 1,BLACK PUR-FOAM	1	PCS	5707292188786
485	6172550	HEADREST SIZE 2,BLACK PU-FOAM	1	PCS	5707292188823
485	6173550	HEADREST SIZE 3,BLACK PUR-FOAM	1	PCS	5707292188861
485	6174550	HEADREST 4, BLACK PU-FOAM	1	PCS	5707292188908
486	81411	DISTANCE-PIPE F. NECK-MOUNTING	1	PCS	5707292115140
487	1101000	CENTER SPRING WASHER 8MM	2	PCS	5707292140173
488	0602900	INSEX SCREW 8*16	2	PCS	5707292138200
489	0701000	STOP SCREW WITH CRATER 8*10	1	PCS	5707292139870
490	81844	PLATE F.NECKREST, TURTLE	5	PCS	5707292119162
491	75303	BAR WITH FITTING L=335,5 mm	1	PCS	5707292509994
491	75298	BAR WITH FITTING L=200,5 mm	1	PCS	5707292509987
492	75294	MOUNTING CROSS, BACK SUPPORT	1	PCS	5707292509963
493	1100495	SPRING WASHER M8	1	PCS	5707292458674
494	1603500	STEEL NUT 8MM, LARGE PACK	1	PCS	5707292141286
495	72845	CHEST SUPPORT, MID PUR, SIZE 2	1	PCS	5707292445834
495	72846	CHEST SUPPORT, MID PUR, SIZE 3	1	PCS	5707292445841
496	1102010	FACE PLATE 8,4*18*2MM, FZB	1	PCS	5707292429766
497	0602505	Insex M8*18, FZB	1	PCS	5707292420749
498	1350000	DISTANCEPART BLACK 6*15*8,2 MM	1	PCS	5707292140876
499	0602485	INSEX M8*25,LOW HEAD,STAINLESS	1	PCS	5707292432216

Table - High mount (862525)



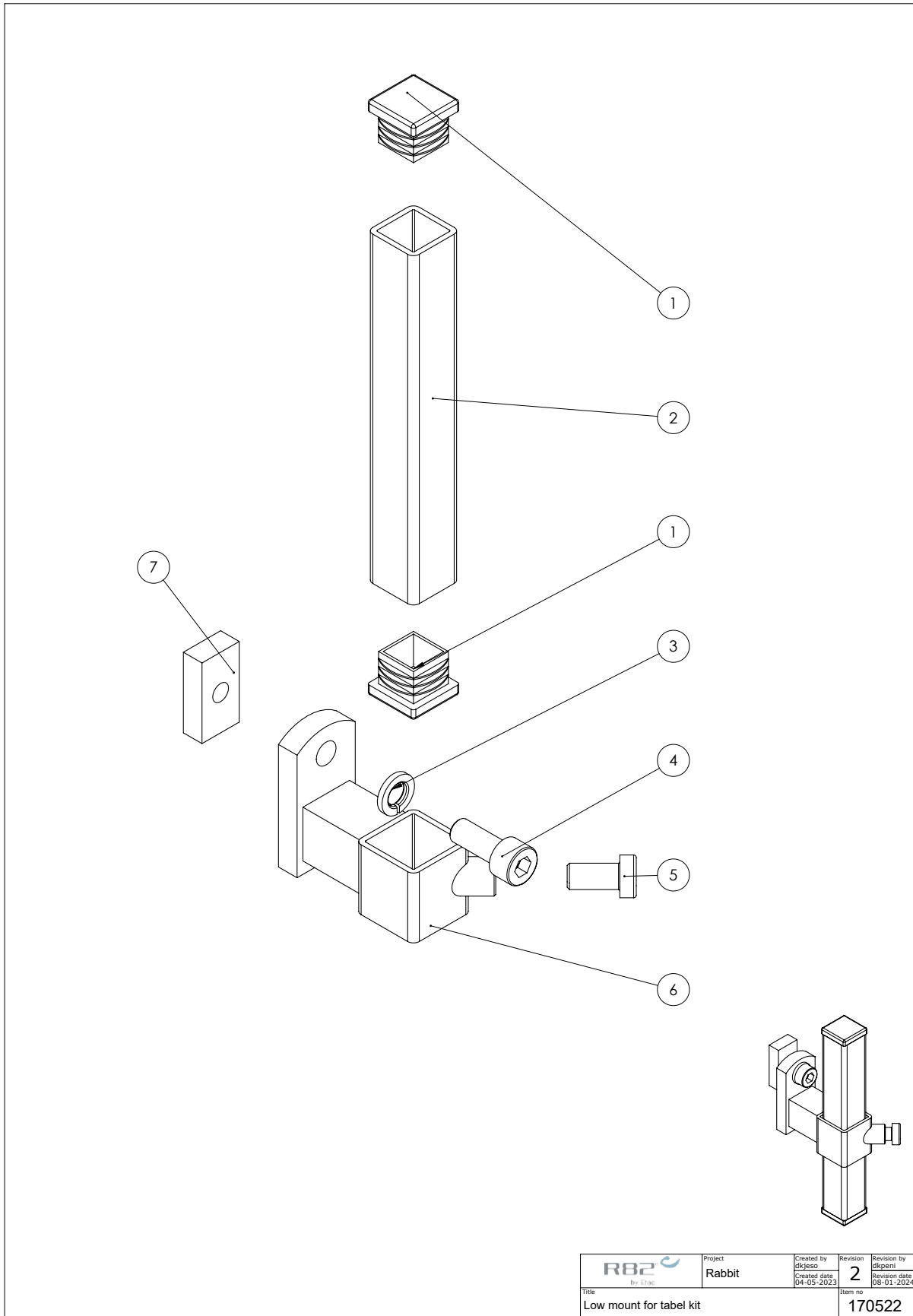
C:\POM\ECO\ECO 2190 - Toucan table on Rabbit\167110

	Project	Created by	Revision	Revision by
	1062	dkkigr	2	dkjeso
Title		Created date	Revision date	
Tabel for Rabbit - High mount		16-09-2022	29-06-2023	
			Item no	
			167110	

Item numbers for Table - High mount (862525)

Position	No.	Description	Quantity	Unit of Measure	Ean code
1	75401	Plade for bord, plast	1	STK	5707292505934
2	75402	Balje for bord, plast	1	STK	5707292505965
3	5075400	Bordplade, plast samlet	1	STK	5707292518675
4	75405	Center support bracket, Toucan	1	STK	5707292507235
5	1100500	Fjederskive M8, rustfri	7	STK	5707292140142
6	0603535	Insex lav hoved M8*25	6	STK	5707292575319
7	1607001	Låsemøtrik 8 mm, helmetalisk	4	STK	5707292401281
8	1310645	Afs.styk. Natur Ø16*8*0,5mm	4	STK	5707292446015
9	1350012	Afs.styk. Ø15 x Ø8,2 x 10 mm	2	STK	5707292904393
10	72878	Bøsning t. Holder	2	STK	5707292418678
11	0603600	Insex M8*55, FZB (28mm gev.)	1	STK	5707292138262
12	107634	Spindle Mustang str. 3+4	1	STK	5707292572004
13	2504000	Dupsko e15*15*1,0-2,0indvsort	4	STK	5707292144102
14	0663031	Button head m/flange 8*30	2	STK	5707292139610
15	0662501	Button head m/flange 8*25	1	STK	5707292403759
16	166801	Tray support frame	1	STK	5707292969262
17	167052	TRAY SUPPORT BRACKET	1	STK	5707292969279
18	3502516	Spændgreb 40mm M8*16mm	2	STK	5707292146915
19	2504500	Dupsko e20*20*1,0-2,0indvsort	2	STK	5707292144126
20	167083	Tray adapter bracket	1	STK	5707292969286
21	0603530	Insex lav hoved M8*16	1	STK	5707292412492

Table - High mount (862525)



C:\EPOM\FCD\ECO 2190 - Toucan table on Rabbit\170522

1.01

Item numbers for Table - High mount (862525)

Position	No.	Description	Quantity	Unit of Measure	Ean code
1	2504500	Dupsko e20*20*1,0-2,0indsort	2	STK	5707292144126
2	167122	Square Pipe 20*20*2*130	1	STK	5707292968951
3	1101000	Center spring washer 8mm	1	STK	5707292140173
4	0602800	Insex M8*20, FZB	1	STK	5707292138194
5	0603530	Insex lav hoved M8*16	1	STK	5707292412492
6	80285	Monteringsbeslag f.bord svejst	1	STK	5707292491060
7	72694	Skinne	1	STK	5707292407931