

stingray[™]

On the following pages you will find the parts used to assemble this product. Please note that some spare parts cannot be purchased individually but are part of a complete kit. Please also note that for some spare parts extra delivery time may occur.

Exploded views / Part lists

Rev. date 2023.09



Contents

Seat - size 1 & 2 (79391).....	3
Item numbers for Seat - size 1 & 2.....	4
Frame with small front wheels (112841).....	6
Item numbers for frame with small front wheels.....	7
Frame with large front wheels (112843).....	10
Item numbers for frame with large front wheels.....	11
Hand brake (79354).....	14
Item numbers for hand brake.....	15
Seat size 1 & 2 (79392).....	16
Item numbers for seat size 1 & 2.....	17
Transport fittings (79356).....	19
Item numbers for transport fittings.....	20
Shopping basket (79357).....	21
Item numbers for shopping basket.....	22
Side supports size 1 & 2 (79369).....	23
Item numbers for side supports size 1 & 2.....	24
Fixed side support, size 1 & 2 (79374).....	25
Item numbers for fixed side support, size 1 & 2.....	26
Flexible side support, size 1 & 2 (79380).....	27
Item numbers for flexible side support, size 1 & 2.....	28
Tray size 1 & 2 (79376).....	29
Item numbers for tray size 1 & 2.....	30
Table (79316).....	31
Item numbers for table.....	32
Pommel - for size 1,2 & 3 (79384).....	33
Item numbers for pommel - for size 1,2 & 3.....	34
Hand grib - for size 1 & 2 (79385).....	35
Item numbers for hand grib - for size 1 & 2.....	36
Folding top - for size 1 & 2 (79388).....	37
Item numbers for folding top - for size 1 & 2.....	38
Vertical oxygen bottle holder (163554).....	39
Item numbers for vertical oxygen bottle holder.....	40

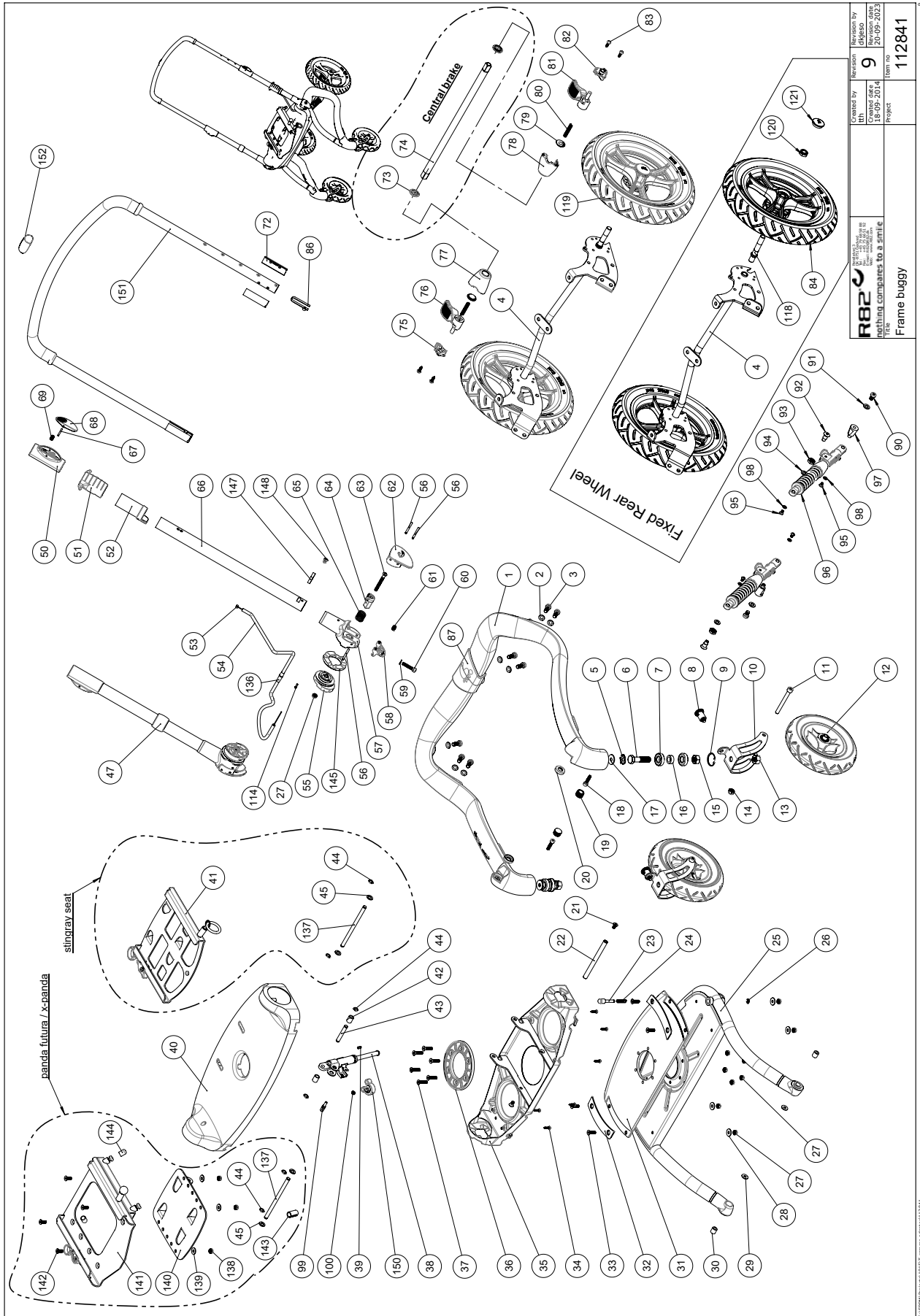
Item numbers for Seat - size 1 & 2

Position	No.	Description	Quantity	Unit of Measure	Ean code
1*	76092	Moveable plate Seat 1	PIECES	1	5707292481689
	76094	Moveable plate, Seat 2	PIECES	1	5707292489234
2	0609730	Insex, stainless 6x20 UH.	PIECES	4	5707292138507
3	0661800	Button head w/flange 8x20	PIECES	2	5707292408075
4*	76091	Fixed Seat 1	PIECES	1	5707292488848
	76093	Fixed Seat 2	PIECES	1	5707292489227
5	0609731	Insex, stainless 6x25 UH.	PIECES	4	5707292138514
6	0450053	Rivet for press stud	PIECES	4	5707292514493
7	75306	Snap lock R82 25	PIECES	16	5707292437624
8	0506507	Blindnitte 4,8x10 Alu/nirosta	PIECES	16	5707292516725
9	0450052	Ball f. Pushbutton	PIECES	10	5707292452313
10	0506513	Stainless blind rivet Ø4, 8x12	PIECES	4	5707292137326
12	0504601	Popnitte tap 3,2x8,0	PIECES	6	5707292552334
13	1600524	Stainl. Welding nut w/flange	PIECES	2	5707292503541
14	76107	Tube for fix plate, back	PIECES	2	5707292488626
15	0609744	Stainless insex 6x14 ch.	PIECES	2	5707292418234
16*	3515100	Handle size 1 angel adjustment	PIECES	1	5707292516107
	3515101	Handle size 2 angel adjustment	PIECES	1	5707292516114
17	76122	Slide bearing, back	PIECES	2	5707292488459
18	1130600	Stainless washer 6mm	PIECES	2	5707292140517
19	0380186	House for lock, Bronco	PIECES	2	5707292381996
20*	76124	Tube f. Angel adjustment size1	PIECES	1	5707292488466
	76126	Tube f. Angel adjustment size2	PIECES	1	5707292489241
25*	76110	Moveable back 1	PIECES	1	5707292488695
	76113	Moveable back 2	PIECES	1	5707292488725
26	3470351	R82 handle M6x10mm nut	PIECES	1	5707292413895
27*	76101	Brace for fix back 1	PIECES	1	5707292488497
	76108	Brace for fix back 2	PIECES	1	5707292488619
28	1310711	Nylon washer 15x8,4x1,5mm	PIECES	5	5707292429933
29	1905016	Board bolt 6x16mm, stainless	PIECES	1	5707292503732
30*	76106	Plate for fix back 1	PIECES	1	5707292488657
	76119	Plate for fix back 2	PIECES	1	5707292488633
32*	76120	Carrier for back size 1	PIECES	2	5707292503602
	76121	Carrier for back size 2	PIECES	2	5707292488442
33	0662000	Button head screw 8x20 stainl.	PIECES	4	5707292139573
34	1631080	Stainless lock nut 8mm	PIECES	4	5707292141453
36	0631952	Button head M5x6, RF TUFLOK	PIECES	4	5707292503725
37*	76081	Seat frame 1	PIECES	1	5707292488794
	76087	Seat frame 2	PIECES	1	5707292489036
38	0602195	Insex M6x12 stainless	PIECES	2	5707292404701
39*	76251	Seat extention frame, size 1	PIECES	1	5707292488824
	76255	Seat extention frame, size 2	PIECES	1	5707292489272
40	76075	V adaptor, Seat on Stingray	PIECES	1	5707292481665
41	1631060	Stainless lock nut 6mm	PIECES	4	5707292141446
42	3502545	R82 handle dia.45 M8x15mm	PIECES	1	5707292450456
43*	76134	Tube f. angel adjustment size1	PIECES	1	5707292503626
	76129	Tube f. angel adjustment size2	PIECES	1	5707292503848
44	1105080	Stainless washer 8mm	PIECES	1	5707292140364
45	75329	Tooth disk Ø30x10	PIECES	1	5707292482389

Position	No.	Description	Quantity	Unit of Measure	Ean code
46	1100495	Spring washer M8	PIECES	1	5707292458674
47	1073658	Bolt M8x45 stainless	PIECES	1	5707292503718
48*	75317	Rod for footrest Size 0, 21 cm	PIECES	1	5707292477774
	75318	Rod for footrest Size 1, 28 cm	PIECES	1	5707292477781
49	2504000	Ferrule e15x1,0-2,0 int.black	PIECES	1	5707292144102
50*	76273	Carrier bracket, footrest	PIECES	1	5707292503640
	101035	Carrier bracket	PIECES	1	5707292554888
51	82950	Hollow plate 16x32, Wombat	PIECES	4	5707292126030
52	1940017	Sheet metal screw uhx4,2x13fzb	PIECES	8	5707292142597
53	1073659	Bolt M8x65 stainless	PIECES	1	5707292514318
54	3470472	Handle M8x35	PIECES	1	5707292513892
55	76270	Foot rest	PIECES	1	5707292503695
56	0609728	Insex, stainless 6x16 uh	PIECES	2	5707292138491
57	0310113	Spring 1,2x16indv.x20	PIECES	1	5707292453143
58	4012000	Protection band	METER	0,27	5707292516909
62*	8730111	Stingray cushion size 1, blue	PIECES	1	5707292514035
	8730112	Stingray cushion size 1, red	PIECES	1	5707292514042
	8730113	Stingray cushion size 1, green	PIECES	1	5707292514059
	8730121	Stingray cushion size 2, blue	PIECES	1	5707292514066
	8730122	Stingray cushion size 2, red	PIECES	1	5707292514073
	8730123	Stingray cushion size 2, green	PIECES	1	5707292514080
61+63*	8730411	Stingray adductor cover sz. 1, blue	SET	1	5707292514219
	8730412	Stingray adductor cover sz. 1, red	SET	1	5707292514226
	8730413	Stingray adductor cover sz. 1, green	SET	1	5707292514233
	8730421	Stingray adductor cover sz. 2, blue	SET	1	5707292514240
	8730422	Stingray adductor cover sz. 2, red	SET	1	5707292514257
	8730423	Stingray adductor cover sz. 2, green	SET	1	5707292514264
64+65*	8730211	Stingray back side cover sz. 1, blue	SET	1	5707292514097
	8730212	Stingray back side cover sz. 1, red	SET	1	5707292514103
	8730213	Stingray back side cover sz. 1, green	SET	1	5707292514110
	8730221	Stingray back side cover sz. 2, blue	SET	1	5707292514127
	8730222	Stingray back side cover sz. 2, red	SET	1	5707292514134
	8730223	Stingray back side cover sz. 2, green	SET	1	5707292514141
66	1310528	Covering stud, black 13mm	PIECES	2	5707292470348

*choose size/type

Frame with small front wheels (112841)



Created by lth		Revision by djesio	
18/09/2014		9	
Title Frame buggy		Project 112841	
R82 Engineering Companies S.O. S.r.l.		Revision no. 20/09/2023	

Item numbers for frame with small front wheels

Position	No.	Description	Quantity	Unit of Measure	Ean code
1+87	141214-1	Carbon frame with step cover	1	STK	5707292907967
2	1100500	Fjederskive M8, rustfri	8	STK	5707292140142
3	0609820	Rustf.insex ch M8*20	8	STK	5707292138576
4	76027	Rear wheel suspension, black	1	STK	5707292476623
5	6108151	Fjederskive Ø23,52*8,74	2	STK	5707292523617
6	0607999	Stålbolt M12*50, rf	2	STK	5707292482013
7	2985220	Kugleleje for lejhhus	4	STK	5707292145420
8	0380184	Spec. Låsehus komp.M10*1, 28mm	2	STK	5707292366030
9	1100221	Låsering f. 30 mm boring, rf.	2	STK	5707292502001
10	76051-1	Front fork new buggy	2	STK	5707292546876
11	0602494	Insex M8*75, rustfri	1	STK	5707292502056
12*	3009500	190*50 air racing	2	STK	5707292483355
	3009501	190*50 solid racing	2	STK	5707292483362
	3006020	Ø190, hjul PUR	1	STK	5707292893208
13	1631120	Rustfri låsemøtrik M12	2	STK	5707292502049
14	1631080	Rustfri låsemøtrik M8	2	STK	5707292141453
15	1606002	Rustfri møtrik M12 FZB	2	STK	5707292502100
16	76052	Bush for front wheel bearing	2	STK	5707292481542
17	1108000	Skive M8, din 9021	2	STK	5707292140388
18	0602426	Insex M6*25 rustfri, eslok	2	STK	5707292539854
19	2501550	Dupsko c18 01 02 indv.sort	2	STK	5707292502254
20	76008	Skive for knæ, pom	2	STK	5707292481085
21	0621200	Insex unders.6*12mm,fzb	2	STK	5707292138958
22	76042	Aksel for springstopper	1	STK	5707292491497
23	111480	Stop pin	1	STK	5707292590206
24	0308714	Rf.trykfjeder 1,3*7*23 5,5V	1	STK	5707292521040
25	111766-60	Upper frame with bearing paint	1	STK	5707292590633
26	1145050	Låseskive Ø5 aksel rf. Din6799	1	STK	5707292140579
27	1631060	Rustfri låsemøtrik M6	10	STK	5707292141446
28	1106025	Skive M6 Ø16/Ø6,4 x 1,6	10	STK	5707292404664
29	1101950	Planskive Ø6,1-16*1 mm, FZB	2	STK	5707292140210
30	76018	Bush for knee joint	2	STK	5707292481245
31	76022	Flange, for bro	1	STK	5707292481290
32	76024	Glideplade, for overstel	2	STK	5707292481313
33	0609730	Rustfri insex 6*20 uh.	4	STK	5707292138507
34	1940007	Eco syn 4*16 torx	8	STK	5707292520593
35	76035	Bridge welded	1	STK	5707292481382
36	76021	Flange, til bro	1	STK	5707292481283
37	0609731	Rustfri insex 6*25 uh. A4	6	STK	5707292138514
38	2207040	Springstopper l=102/22	1	STK	5707292473127
39	0388006	Skruenippel 5*7,5mm	1	STK	5707292136114
40	76034	Cover for Bridge	1	STK	5707292476838
41	110176	T-frame for Stingray	1	STK	5707292598141
42	1350024	Afs.styk.sort 14*15*8,2mm	2	STK	5707292140920
43	76043	Axle for springstopper 36 mm	1	STK	5707292481450
44	1145060	Låseskive Ø6 aksel rf. Din6799	4	STK	5707292375056
45	1310711	Nylonskive natur Ø15*8,4*1,5mm	2	STK	5707292429933
47	76234	Cover for push brace	1	STK	5707292523105

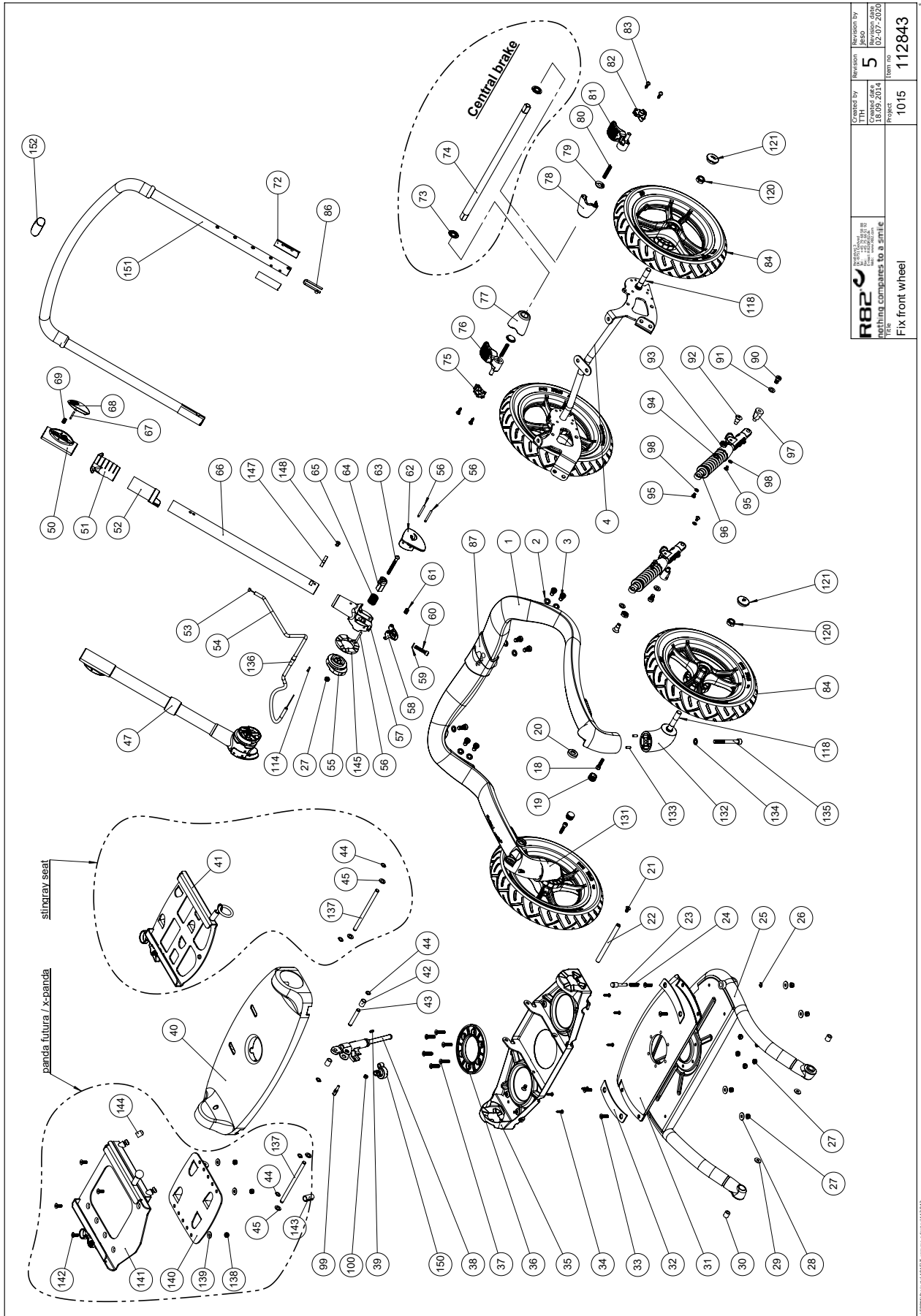
* Choose color/size/type

Position	No.	Description	Quantity	Unit of Measure	Ean code
50	76220	Højde justering	2	STK	5707292491718
51	76231	Håndtag for tilt in space	1	STK	5707292491855
52	76230	Holder for tilt in space	1	STK	5707292491848
53	0371854-1	Blødt inderkabel til Stingray	1	STK	5707292536945
54	5002995	Cable for tilt of seat	1	STK	5707292542724
55	76064	Eccentric for lock	2	STK	5707292481627
56	0530009	Cyl.stift Ø4x50 mm rf.	4	STK	5707292502445
57	76061	Handle bearing stationary	1	STK	5707292481597
58	76066	Sikringslås for håndbøjle lås	2	STK	5707292491558
59	1100490	Fjederskive M6, rustfri,	1	STK	5707292411297
60	0602430	Insex M6*30 rustfri	1	STK	5707292407276
61	0310122	Trykfj. 0,9*8*16,5mm*8v, galv.	2	STK	5707292135544
62	76062	Handle of a lock R82	2	STK	5707292481603
63	0641637	Button head M6*60 RF	2	STK	5707292540317
64	76063	Handle guide for lock	2	STK	5707292481610
65	0308711	Rf.trykfjeder 2,0*16*20mm	2	STK	5707292502018
66	76225	Rør for skubbebøjle, nedre	1	STK	5707292491770
67	0530011	Cyl.stift Ø3x32 mm.	2	STK	5707292516220
68	76221	Trykknop for skubbebøjle	2	STK	5707292491725
69	0310125	Trykfjeder 0,9*8*12mm*6v galv.	2	STK	5707292135575
72	76229	Foringer for håndbøjle	4	STK	5707292491824
73	76145	Bush for connecting shaft	2	STK	5707292491688
74	76149	Connecting shaft, for brake	1	STK	5707292491794
75	76141	Bottom right for brake	1	STK	5707292491589
76	114300	Pedal right for brake, red	1	STK	5707292605030
77	76143	House right, for brake	1	STK	5707292491633
78	76148	House left, for brake	1	STK	5707292491787
79	76144	Cover for spring, brake	2	STK	5707292491657
80	0308713	Rf.trykfjeder 1,0*6*40mm*17V	2	STK	5707292502032
81	114304	Pedal left for brake, red	1	STK	5707292605047
82	76146	Bottom left, for brake	1	STK	5707292491749
83	1940007	Eco syn 4*16 torx	4	STK	5707292520593
84*	3005037	Ø290, hjul luft u/hulplade	2	STK	5707292893284
	3005027	Ø290, PUR m/bolt mont u/hulpla	2	STK	5707292893277
86	6153550	Knopfjeder Ø7,5*5,5 mm	2	STK	5707292513717
90	0609816	Rustfri insex ch M8*16	2	STK	5707292138569
91	1105080	Rustfri skive 8mm, din125a	2	STK	5707292140364
92	76070	Anchor bolt for gas spring	2	STK	5707292481658
93	1761005	Kontramøtrik 10*1,0 finge v rf	2	STK	5707292509925
94	1105080	Rustfri skive 8mm, din125a	2	STK	5707292140364
95	0602008	Rustfri insex M5*10, låsesik	4	STK	5707292542762
96	113790	Dæmper (med rød hammer)	2	STK	5707292601407
97	76069	Distance bush	2	STK	5707292481641
98	1130500	Rustfri skive M5, din9021	4	STK	5707292516343
99	0381000	cable adjuster with nut only	1	STK	5707292544018
100	1602800	Stålmøtrik 5mm, FZB storpak	1	STK	5707292141262
114	0387000	Endenippel for wire	1	STK	5707292136091
118	148439	Axle for Disk brake	2	STK	5707292907646

* Choose color/size/type

Position	No.	Description	Quantity	Unit of Measure	Ean code
119*	3005070	Ø290,hjul PUR m/quick release	1	STK	5707292874580
	3005050	Ø290 hjul m/luft & Quick-real	1	STK	5707292874559
120	1607005	Låsemøtrik 12 mm, A2	2	STK	5707292535368
121	2704300	Sort navkapsel for rolko hjul	2	STK	5707292144515
136	0235073	kabelgennemføring med talkum	1	STK	5707292581617
137	76314	Axle for T-frame	1	STK	5707292538604
138	1606500	Låsemøtrik 6 mm	4	STK	5707292141361
139	1103000	Facetskive 6 mm, FZB	4	STK	5707292140289
140	76313	Holder for T-frame	1	STK	5707292538598
141	5079364-01	T-ramme monteret,sort	1	STK	5707292538963
142	0621600	Insex unders. M6*16, FZB	4	STK	5707292138965
143	76319	Vinkel reduceringsbøsning 25mm	1	STK	5707292543479
144	2501406	Møtrikbeskytter sort f/M8 møt.	2	STK	5707292375919
145	76038	Støtteskive	2	STK	5707292540324
147	76239	Nut m6 for ellipsetube 24x36	1	STK	5707292544025
148	0506522	Rustfri blindnitte 4,8*10	1	STK	5707292541796
150	102060	Cabel Holder	1	STK	5707292561336
151	5087036-1	Push brace top complete	1	STK	5707292604569
152	149889	Grip with arrow	1	STK	5707292917423
* Choose color/size/type					

Frame with large front wheels (112843)



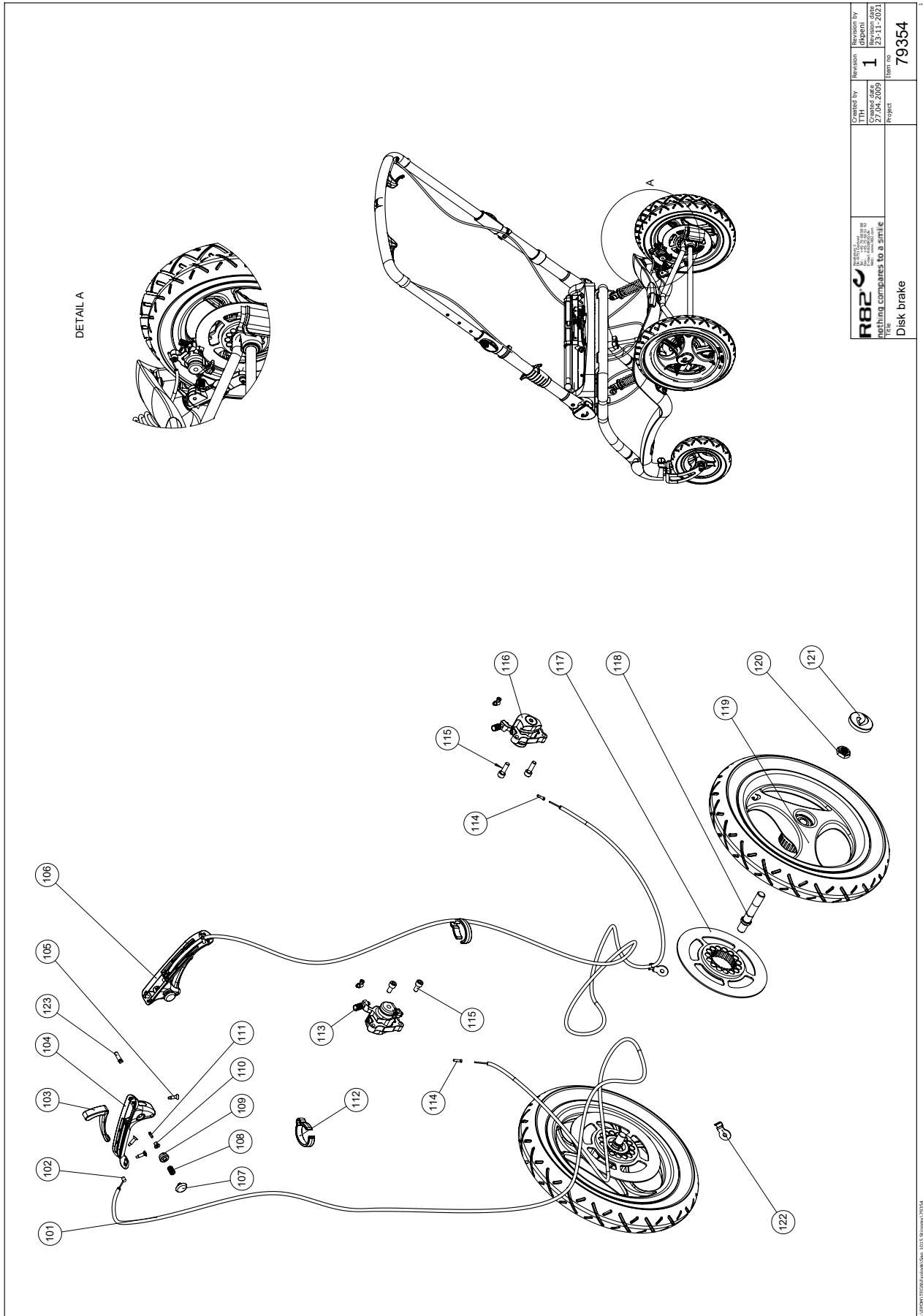
Item numbers for frame with large front wheels

Position	No.	Description	Quantity	Unit of Measure	Ean code
1+87	141214-1	Carbon frame with step cover	1	STK	5707292907967
2	1100500	Fjederskive M8, rustfri	8	STK	5707292140142
3	0609820	Rustf.insex ch M8*20	8	STK	5707292138576
4	76027	Rear wheel suspension, black	1	STK	5707292476623
18	0602426	Insex M6*25 rustfri, eslok	2	STK	5707292539854
19	2501550	Dupsko c18 01 02 indiv.sort	2	STK	5707292502254
20	76008	Skive for knæ, pom	2	STK	5707292481085
21	0621200	Insex unders.6*12mm.fzb	2	STK	5707292138958
22	76042	Aksel for springstopper	1	STK	5707292491497
23	111480	Stop pin	1	STK	5707292590206
24	0308714	Rf.trykfjeder 1,3*7*23 5,5V	1	STK	5707292521040
25	111766-60	Upper frame with bearing paint	1	STK	5707292590633
26	1145050	Låseskive Ø5 aksel rf. Din6799	1	STK	5707292140579
27	1631060	Rustfri låsemøtrik M6	2	STK	5707292141446
28	1106025	Skive M6 Ø16/Ø6,4 x 1,6	10	STK	5707292404664
29	1101950	Planskive Ø6,1-16*1 mm, FZB	2	STK	5707292140210
30	76018	Bush for knee joint	2	STK	5707292481245
31	76022	Flange, for bro	1	STK	5707292481290
32	76024	Glideplade, for overstel	2	STK	5707292481313
33	0609730	Rustfri insex 6*20 uh.	4	STK	5707292138507
34	1940007	Eco syn 4*16 torx	8	STK	5707292520593
35	76035	Bridge welded	1	STK	5707292481382
36	76021	Flange, til bro	1	STK	5707292481283
37	0609731	Rustfri insex 6*25 uh. A4	6	STK	5707292138514
38	2207040	Springstopper l=102/22	1	STK	5707292473127
39	0388006	Skruenippel 5*7,5mm	1	STK	5707292136114
40	76034	Cover for Bridge	1	STK	5707292476838
41	110176	T-frame for Stingray	1	STK	5707292598141
42	1350024	Afs.styk.sort 14*15*8,2mm	2	STK	5707292140920
43	76043	Axle for springstopper 36 mm	1	STK	5707292481450
44	1145060	Låseskive Ø6 aksel rf. Din6799	4	STK	5707292375056
45	1310711	Nylonskive natur Ø15*8,4*1,5mm	2	STK	5707292429933
47	76234	Cover for push brace	1	STK	5707292523105
50	76220	Højde justering	2	STK	5707292491718
51	76231	Håndtag for tilt in space	1	STK	5707292491855
52	76230	Holder for tilt in space	1	STK	5707292491848
53	0371854-1	Blødt inderkabel til Stingray	1	STK	5707292536945
54	5002995	Cable for tilt of seat	1	STK	5707292542724
55	76064	Eccentric for lock	2	STK	5707292481627
56	0530009	Cyl.stift Ø4x50 mm rf.	4	STK	5707292502445
57	76061	Handle bearing stationary	1	STK	5707292481597
58	76066	Sikringslås for håndbøjle lås	2	STK	5707292491558
59	1100490	Fjederskive M6, rustfri,	1	STK	5707292411297
60	0602430	Insex M6*30 rustfri	1	STK	5707292407276
61	0310122	TRYKFJ. 0,9*8*16,5mm*8v, GALV.	2	STK	5707292135544
62	76062	Handle of a lock R82	2	STK	5707292481603
63	0641637	Button head M6*60 RF	2	STK	5707292540317
64	76063	Handle guide for lock	2	STK	5707292481610
65	0308711	Rf.trykfjeder 2,0*16*20mm	2	STK	5707292502018

Position	No.	Description	Quantity	Unit of Measure	Ean code
66	76225	Rør for skubbeøjle, nedre	1	STK	5707292491770
67	0530011	Cyl.stift Ø3x32 mm.	2	STK	5707292516220
68	76221	Trykknop for skubbeøjle	2	STK	5707292491725
69	0310125	Trykfjeder 0,9*8*12mm*6v galv.	2	STK	5707292135575
72	76229	Foringer for håndøjle	4	STK	5707292491824
73	76145	Bush for connecting shaft	2	STK	5707292491688
74	76149	Connecting shaft, for brake	1	STK	5707292491794
75	76141	Bottom right for brake	1	STK	5707292491589
76	114300	Pedal right for brake, red	1	STK	5707292605030
77	76143	House right, for brake	1	STK	5707292491633
78	76148	House left, for brake	1	STK	5707292491787
79	76144	Cover for spring, brake	2	STK	5707292491657
80	0308713	Rf.trykfjeder 1,0*6*40mm*17V	2	STK	5707292502032
81	114304	Pedal left for brake, red	1	STK	5707292605047
82	76146	Bottom left, for brake	1	STK	5707292491749
83	1940007	Eco syn 4*16 torx	4	STK	5707292520593
84	3005060	Ø290 hjul luft m/bolt mont.	4	STK	5707292874573
86	6153550	Knopfjeder Ø7,5*5,5 mm	2	STK	5707292513717
90	0609816	Rustfri insex ch M8*16	2	STK	5707292138569
91	1105080	Rustfri skive 8mm, din125a	2	STK	5707292140364
92	76070	Anchor bolt for gas spring	2	STK	5707292481658
93	1761005	Kontramøtrik 10*1,0 finge v rf	2	STK	5707292509925
94	1105080	Rustfri skive 8mm, din125a	2	STK	5707292140364
95	0602008	Rustfri insex M5*10, låsesik	4	STK	5707292542762
96	113790	Dæmper (med rød hammer)	2	STK	5707292601407
97	76069	Distance bush	2	STK	5707292481641
98	1130500	Rustfri skive M5, din9021	4	STK	5707292516343
99	0381000	cable adjuster with nut only	1	STK	5707292544018
100	1602800	Stålmøtrik 5mm, FZB storpak	1	STK	5707292141262
114	0387000	Endenippel for wire	1	STK	5707292136091
118	76151	Axle for without disk brake	4	STK	5707292535351
120	1607005	Låsemøtrik 12 mm, A2	1	STK	5707292535368
121	2704300	Sort navkapsel for rolko hjul	4	STK	5707292144515
131	76010	Forhjulbeslag, højre	1	STK	5707292476821
132	76009	Forhjulbeslag, venstre	1	STK	5707292476814
133	0529048	Cyl.stift Ø5,0x14 mm.	4	STK	5707292524478
134	1100500	Fjederskive M8, rustfri	2	STK	5707292140142
135	0603700	Insex M8*70, FZB	2	STK	5707292138293
136	0235073	kabelgennemføring med talkum	1	STK	5707292581617
137	76314	Axle for T-frame	1	STK	5707292538604
138	1606500	Låsemøtrik 6 mm	4	STK	5707292141361
139	1103000	Facetskive 6 mm, FZB	4	STK	5707292140289
140	76313	Holder for T-frame	1	STK	5707292538598
141	5079364-01	T-ramme monteret,sort	1	STK	5707292538963
142	0621600	Insex unders. M6*16, FZB	4	STK	5707292138965
143	76319	Vinkel reduceringsbøsning 25mm	1	STK	5707292543479
144	2501406	Møtrikbeskytter sort f/M8 møt.	2	STK	5707292375919
145	76038	Støtteskive	2	STK	5707292540324
147	76239	Nut m6 for ellipsetube 24x36	1	STK	5707292544025

Position	No.	Description	Quantity	Unit of Measure	Ean code
148	0506522	Rustfri blindnitte 4,8*10	1	STK	5707292541796
150	102060	Cabel Holder	1	STK	5707292561336
151	5087036-1	Push brace top complete	1	STK	5707292604569
152	149889	Grip with arrow	1	STK	5707292917423

Hand brake (79354)



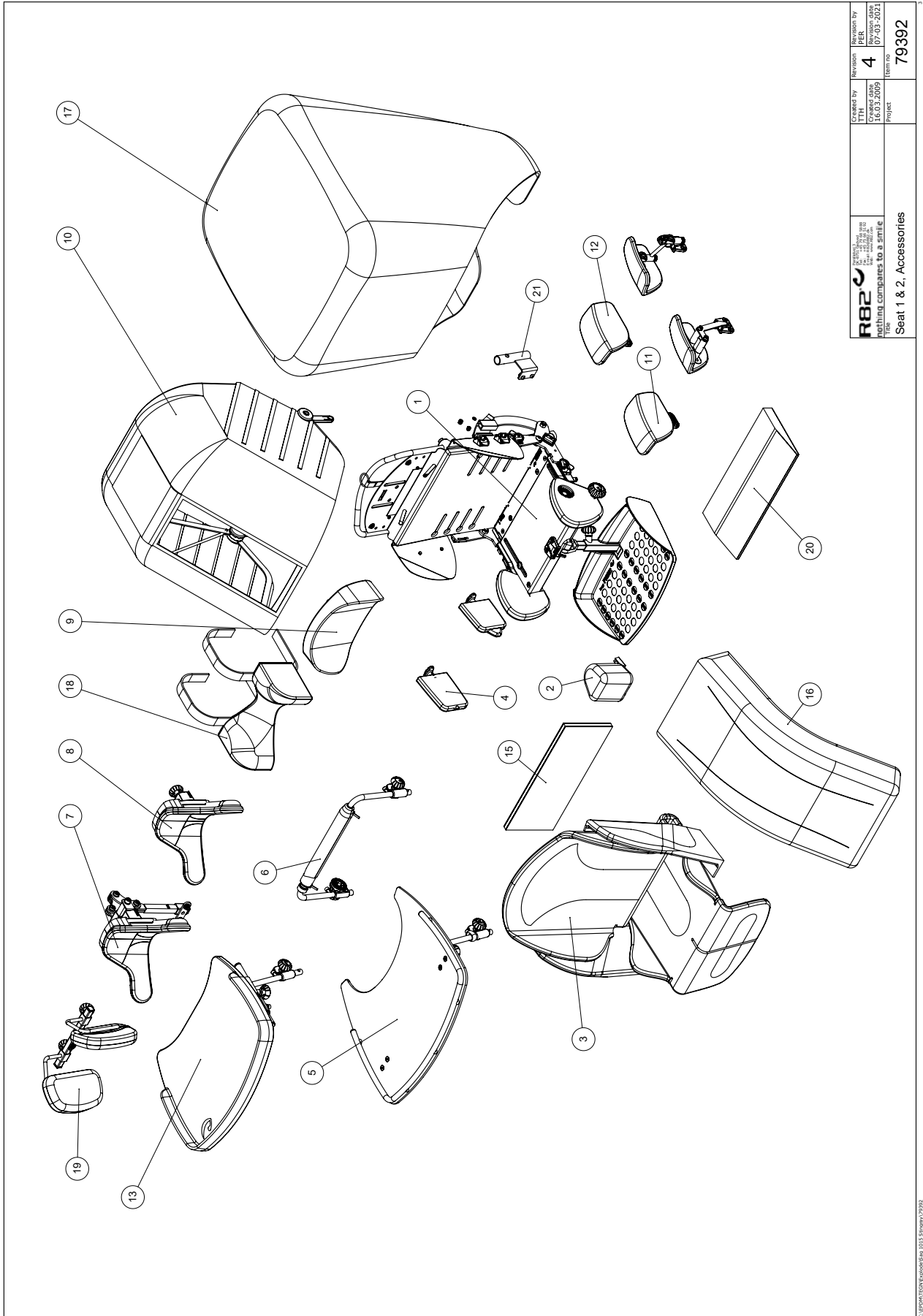
 R82	Created by 27.04.2009	Revision 1	Revision by 23-11-2021
	Covered date Project	Item no 79354	Title Disk brake

C:\DPM\TECH\Kortlægning\1015 Stingray\79354

Item numbers for hand brake

Position	No.	Description	Quantity	Unit of Measure	Ean code
101	5102999	Index Casing for stingray	2	PCS	5707292542755
102	0371854-1	Soft inner cable for Stingray	1	PCS	5707292536945
103	76153	Brake handle for disk brake	1	PCS	5707292510273
104	76236	Holder for brake, right	1	PCS	5707292518422
105	1811105	Screw 4.2x16uh, stainless	6	PCS	5707292141699
106	76235	Holder for brake, left	1	PCS	5707292518415
107	82559	Release button	1	PCS	5707292124760
108	0308710	Rf. Spring 0.5x8x10mm x4v	1	PCS	5707292135483
109	76159	Bush for locking pin	1	PCS	5707292518446
110	76295	Locking pin, disk brake	1	PCS	5707292542830
111	0805004	Stopscrew M3x12 stainless	1	PCS	5707292518354
112	76156	Cable retainer	2	PCS	5707292510280
113	3503538	Disk brake right dM60	1	PCS	5707292518460
114	0387000	End nipple for outer casing	2	PCS	5707292136091
115	0602195	Insex M6x12 stainless	4	PCS	5707292404701
116	3503539	Disk brake dM60 left	1	PCS	5707292518484
117*	3005037	Ø290, AIR mounted, with disk	2	PCS	5707292893284
	3005027	Ø290, PUR mounted, with disk	2	PCS	5707292893277
118	148439	Axle for Disk brake	2	PCS	5707292907646
119*	3005037	Ø290, AIR mounted , with disk	2	PCS	5707292893284
	3005027	Ø290, PUR mounted, with disk	2	PCS	5707292893277
120	1607005	Locknut 12 mm, A2	2	PCS	5707292535368
121	2704300	Black hub cap for rolko wheel	2	PCS	5707292144515
122	76238	Bracket	2	PCS	5707292518682
123	0529047	Pin, 5x20mm, stainless 303	1	PCS	5707292509840
*choose size/type					

Seat size 1 & 2 (79392)



 R82 A/S Rethinking companies to a smile Tittevej 10 2600 Lyngby	Created by TTH 16.03.2009	Revision 4	Revision by PER 07.03.2021
	Project Seat 1 & 2, Accessories	Item no 79392	

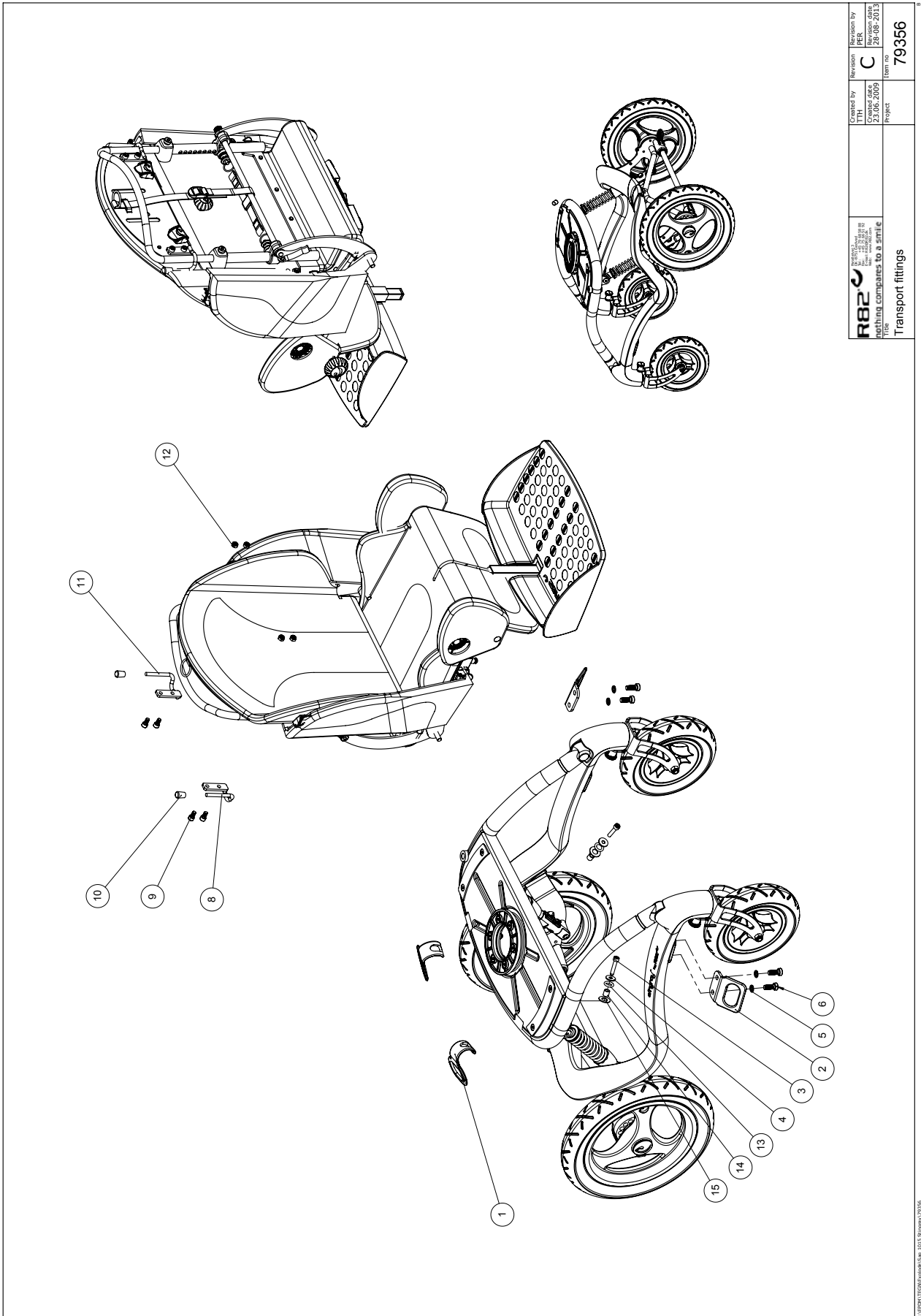
Item numbers for seat size 1 & 2

Position	No.	Description	Quantity	Unit of Measure	Ean code
1*	8711120	Size 1, Footrest rod, short 18 cm	PIECES	1	5707292597861
	8711220	Size 1, Footrest rod, long 31 cm	PIECES	1	5707292597878
	8712220	Size 2, Footrest rod, long 31 cm	PIECES	1	5707292597885
2*	8720501	Size 1, Pommel, D70 mm × H90 mm × W40 mm	PIECES	1	5707292513045
	8720502	Size 2, Pommel, D90 mm × H90 mm × W90 mm	PIECES	1	5707292513052
	8720503	Size 3, Pommel, D90 mm × H90 mm × W120 mm	PIECES	1	5707292513533
3*	8750511	Size 1, Cushion set, Blue	PIECES	1	5707292611819
	8750512	Size 1, Cushion set, Red	PIECES	1	5707292611826
	8750513	Size 1, Cushion set, Green	PIECES	1	5707292611833
	8750514	Size 1, Cushion set, Grey	PIECES	1	5707292611840
	8750515	Size 1, Cushion set, Pink	PIECES	1	5707292611857
	8750516	Size 1, Cushion set, Orange	PIECES	1	5707292611864
	8750517	Size 1, Cushion set, Yellow	PIECES	1	5707292611871
	8750521	Size 2, Cushion set, Blue	PIECES	1	5707292611888
	8750522	Size 2, Cushion set, Red	PIECES	1	5707292611895
	8750523	Size 2, Cushion set, Green	PIECES	1	5707292611901
	8750524	Size 2, Cushion set, Grey	PIECES	1	5707292611918
	8750525	Size 2, Cushion set, Pink	PIECES	1	5707292611925
	8750526	Size 2, Cushion set, Orange	PIECES	1	5707292611932
	8750527	Size 2, Cushion set, Yellow	PIECES	1	5707292611949
4*	8720301	Size 1, Side supports, D100 mm × H100 mm	PIECES	1	5707292517777
	8720302	Side 2, Side supports, D135mm × H125 mm	PIECES	1	5707292517784
5*	8720010	Size 1, Tray	PIECES	1	5707292512956
	8720020	Size 2, Tray	PIECES	1	5707292512963
6*	8720401	Size 1, Grip handle, W: 360 mm	PIECES	1	5707292517791
	8720402	Size 2, Grip handle, W: 410 mm	PIECES	1	5707292517807
7	8720863	Anatomic headrest, large	PIECES	1	5707292522023
8	8720862	Anatomic headrest, medium	PIECES	1	5707292522016
9*	8740810	Size 1, Head rest cushion, black	PIECES	1	5707292611635
	8740820	Size 2, Head rest cushion, black	PIECES	1	5707292611765
10*	8740110	Size 1, Folding top, black	PIECES	1	5707292611468
	8740120	Size 2, Folding top, black	PIECES	1	5707292611475
11*	8740230	Size 1, Hip supports, fixed, black, H: 165 mm × W180 mm	PIECES	1	5707292611482
	8740240	Size 2, Hip supports, fixed, black, H175 mm × W220 mm	PIECES	1	5707292611574
12*	8740250	Size 1, Hip supports, multi-adjustable, black, H165 mm × W180 mm	PIECES	1	5707292611598
	8740260	Size 2, Hip supports, multi-adjustable, black, H165 mm × W220 mm	PIECES	1	5707292611604
13	8776350	One size, Tray, plastic, grey, 44 × 34 cm	PIECES	1	5707292544278
15*	8776325	Size 1, Foam back plate	PIECES	1	5707292547606
	8776326	Size 2, Foam back plate	PIECES	1	5707292547613
16*	8720131	Size 1, Bunting bag	PIECES	1	5707292519894
	8720132	Size 2, Bunting bag	PIECES	1	5707292519900
17*	8720141	Size 1, Rain cover for Stingray with folding top	PIECES	1	5707292551368
	8720142	Size 2, Rain cover for Stingray with folding top	PIECES	1	5707292551375
18*	8720831	Small, Sculpted head support, D120 mm × W240 mm	PIECES	1	5707292565150
	8720832	Large, Sculpted head support, D150 mm × W280 mm	PIECES	1	5707292565167

Position	No.	Description	Quantity	Unit of Measure	Ean code
19	8720870	Two-part head support	PIECES	1	5707292617521
21	8776291	Bracket for IV spole holder	PIECES	1	5707292844637

*choose size/type

Transport fittings (79356)



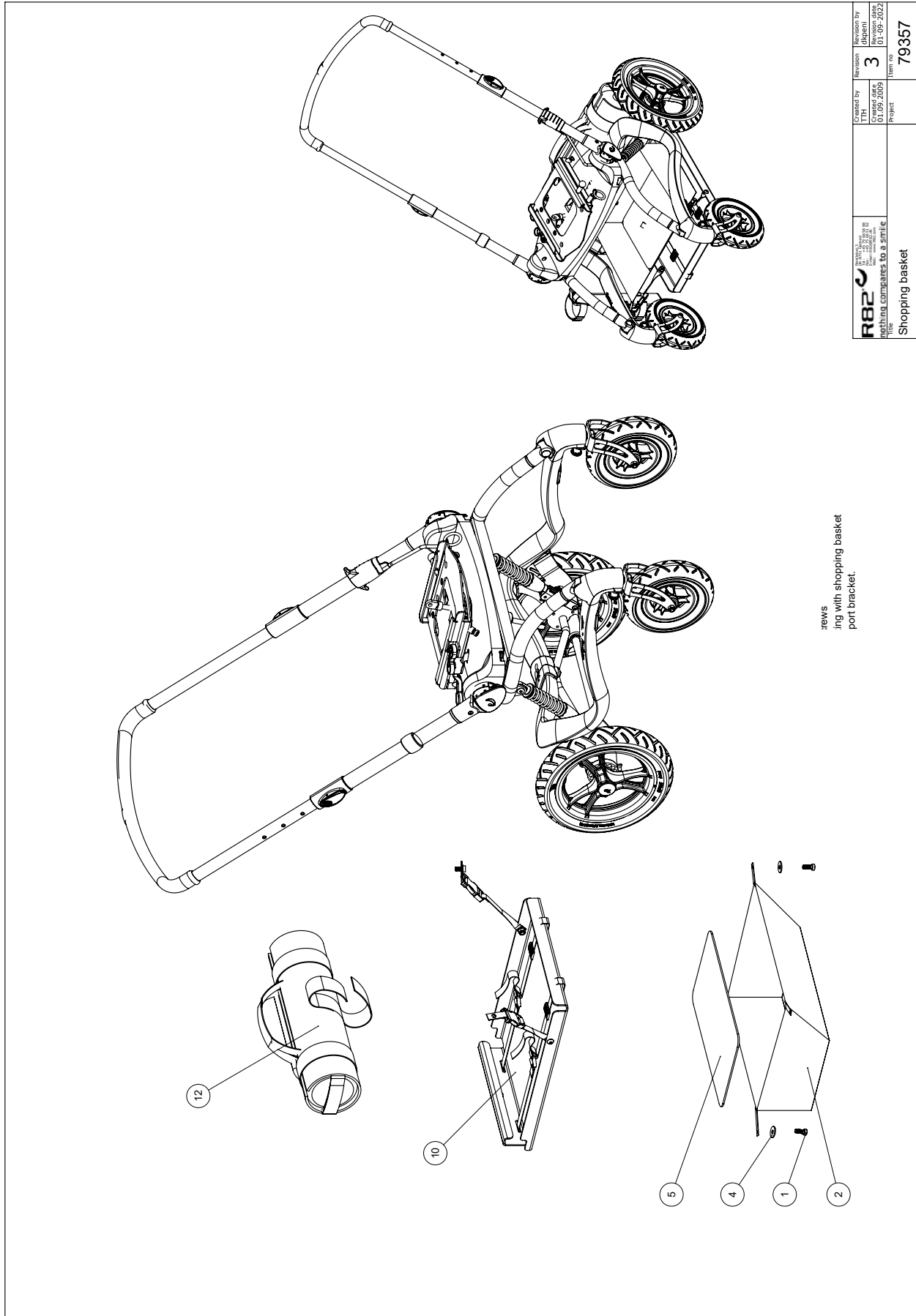
 R82	Created by 23.06.2009	Revision by C	Revision date 28.08.2013
	Covered date 23.06.2009	Project Transport fittings	Item no. 79356

C:\DPM\Tech\Drawings\79356 Stingray\79356

Item numbers for transport fittings

Position	No.	Description	Quantity	Unit of Measure	Ean code
1	102418	Clamping bracket, back part	PIECES	2	5707292564030
2	76131	Clamping bracket, front part	PIECES	2	5707292483126
3	0602426	Insex M6x25 rustfri, eslok	PIECES	2	5707292539854
4	1102001	Washer 6x20x1,5 mm, RF	PIECES	2	5707292565754
5	1100500	Spring washer 8mm, stainless	PIECES	4	5707292140142
6	0602483	Insex low head M8x20 stainless	PIECES	4	5707292442437
8	76305	Bracket for trap, right	PIECES	1	5707292514301
9	0602195	Insex M6x12 stainless	PIECES	4	5707292404701
11	76304	Bracket for trap, left	PIECES	1	5707292514295
12	1631060	Stainless lock nut 6mm	PIECES	4	5707292141446
13	0104550	O-ringe 11,0 X 3,5 NBR70	PIECES	2	5707292564139
14	81219	Bush for headrestmounting	PIECES	2	5707292434265
15	1350006	Pvc bush black 20x10,2x3,5mm	PIECES	2	5707292545428

Shopping basket (79357)



revisions
 ing with shopping basket
 port bracket.

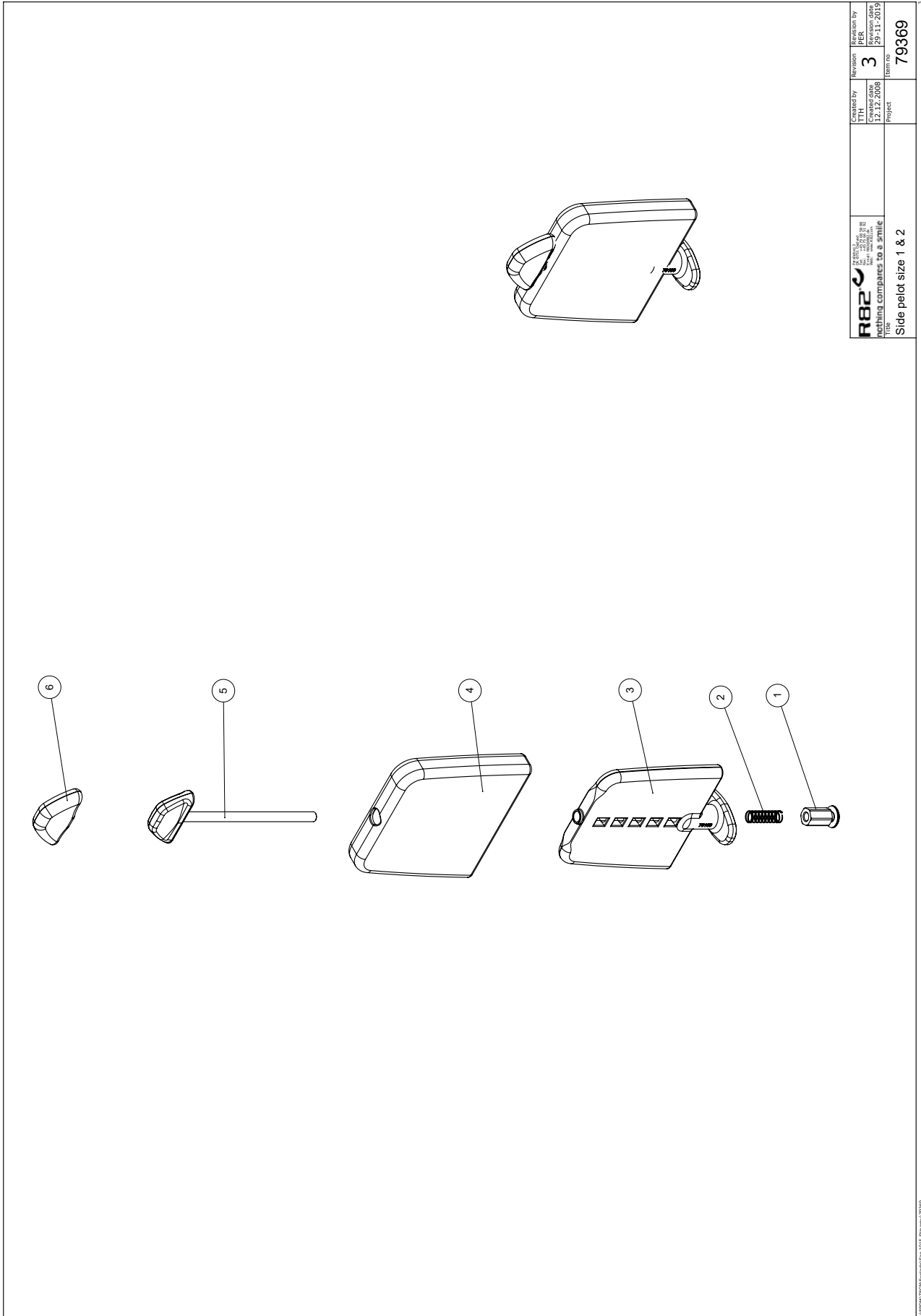
 R82 A/S Parallelvej 3 8751 Gedved Denmark nothing compares to a smile Title	Created by CHAS 486 01-09-2009	Revision 3	Revision by JYBA 01-09-2022
	Project	Item no. 79357	101

C:\RPM\TECOM\Broschurer\1012 Stingray\79357

Item numbers for shopping basket

Position	No.	Description	Quantity	Unit of Measure	Ean code
1	0602483	Insex low head M8x20 stainless	PIECES	4	5707292442437
2	5500199	Shopping basket	PIECES	1	5707292516053
4	1108025	Washer M8, stainless A4,DIN9021	PIECES	4	5707292140395
5	76310	Plate for basket	PIECES	1	5707292515636
10	8776290	Vent tray	PIECES	1	5707292552402
12	8776295	Oxygen bottle holder	PIECES	1	5707292553027

Side supports size 1 & 2 (79369)



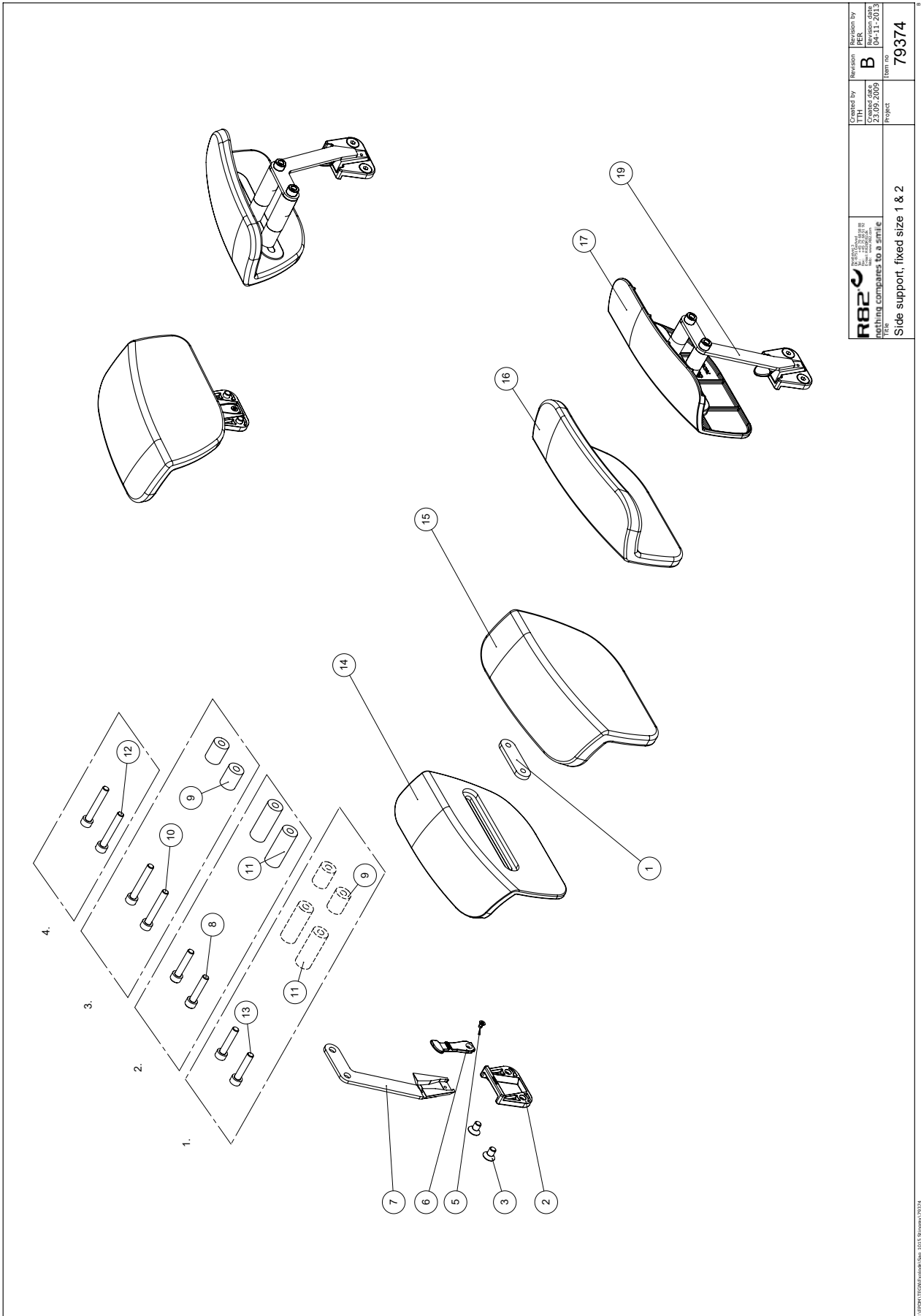
 R82 A/S 12. Århusvej 88 8240 Århus N Denmark	Checked by JTB Creation date 12.12.2008	Revision by PER Revision date 29-11-2019	Item no. 79369
	Project	Side peild size 1 & 2	

C:\R82\Tech\Books\Bla_2015_R82\79369

Item numbers for side supports size 1 & 2

Position	No.	Description	Quantity	Unit of Measure	Ean code
1	76164	Hex nut for pelot	PIECES	1	5707292503497
2	0310100	Pressurespring 0,9x8x23x10,5v	PIECES	1	5707292135513
3*	5700580	Oplimet Sidestøtte str.1 Sting	PIECES	2	5707292520982
	5700581	Oplimet Sidestøtte str.2 Sting	PIECES	2	5707292520999
4*	5027240	Cover for side support size 1	PIECES	2	5707292520968
	5027241	Cover for side support size 2	PIECES	2	5707292521002
5*	76163	Knop for pelot, size 1	PIECES	1	5707292491596
	76168	Knop for pelot, size 2	PIECES	1	5707292503534
6	8720360	Covers for knobs on side supp.	SET	1	5707292555571
*choose size/type					

Fixed side support, size 1 & 2 (79374)



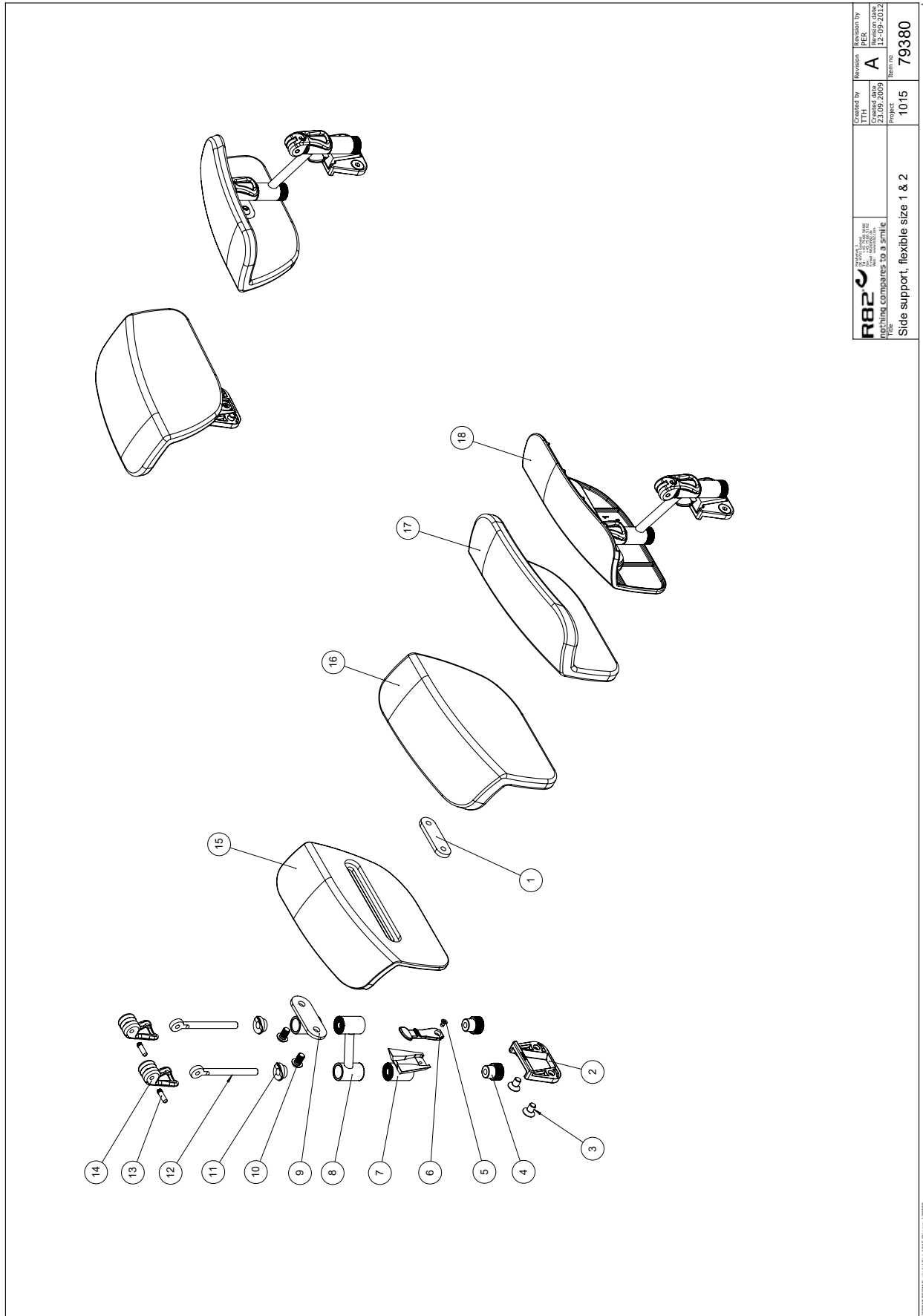
R82 nothing compares to a smile	Created by 23.09.2009	Revision B	Revision date 04-11-2013
Side support, fixed size 1 & 2	Project	Item no.	79374

Item numbers for fixed side support, size 1 & 2

Position	No.	Description	Quantity	Unit of Measure	Ean code
1	75840	Back Plate for hip support	PIECES	2	5707292503329
2	76175	Holder for dovetail	PIECES	2	5707292503336
3	0609720	Stainless insex 6x10	PIECES	4	5707292446039
5	1811102	M3x6 UH	PIECES	2	5707292510648
6	76176	Safty lock	PIECES	2	5707292503367
7*	76265	Bracket with dovetail size 2 R	PIECES	1	5707292516305
	76263	Bracket with dovetail size 1 R	PIECES	1	5707292516282
8	0602455	Insex M6x50 stainless	PIECES	4	5707292407283
9	1310677	Distance piece black Ø6,3xØ15x20MM	PIECES	4	5707292516329
10	0602430	Insex M6x30 stainless	PIECES	4	5707292407276
11	1310678	Distance piece black Ø6,3xØ15x40MM	PIECES	4	5707292516336
12	0609810	Stainless insex CH M6x10	PIECES	4	5707292440594
13	0602470	Insex M6x70, stainless	PIECES	4	5707292407870
14*	76180	Side plate, size 2 Right	PIECES	1	5707292491695
	76178	Side plate, size 1 Right	PIECES	1	5707292491664
15+16*	8730311	Cover for hip support sz.1, blue	SET	1	5707292514158
	8730312	Cover for hip support sz.1, red	SET	1	5707292514165
	8730313	Cover for hip support sz.1, green	SET	1	5707292514172
	8730321	Cover for hip support sz.2, blue	SET	1	5707292514189
	8730322	Cover for hip support sz.2, red	SET	1	5707292514196
	8730323	Cover for hip support sz.2, green	SET	1	5707292514202
17*	76179	Side plate, size 2 Left	PIECES	1	5707292491671
	76177	Side plate, size 1 Left	PIECES	1	5707292491640
19*	76264	Bracket with dovetail size 2 L	PIECES	1	5707292516299
	76262	Bracket for hood 2	PIECES	1	5707292488411

*choose size/type

Flexible side support, size 1 & 2 (79380)



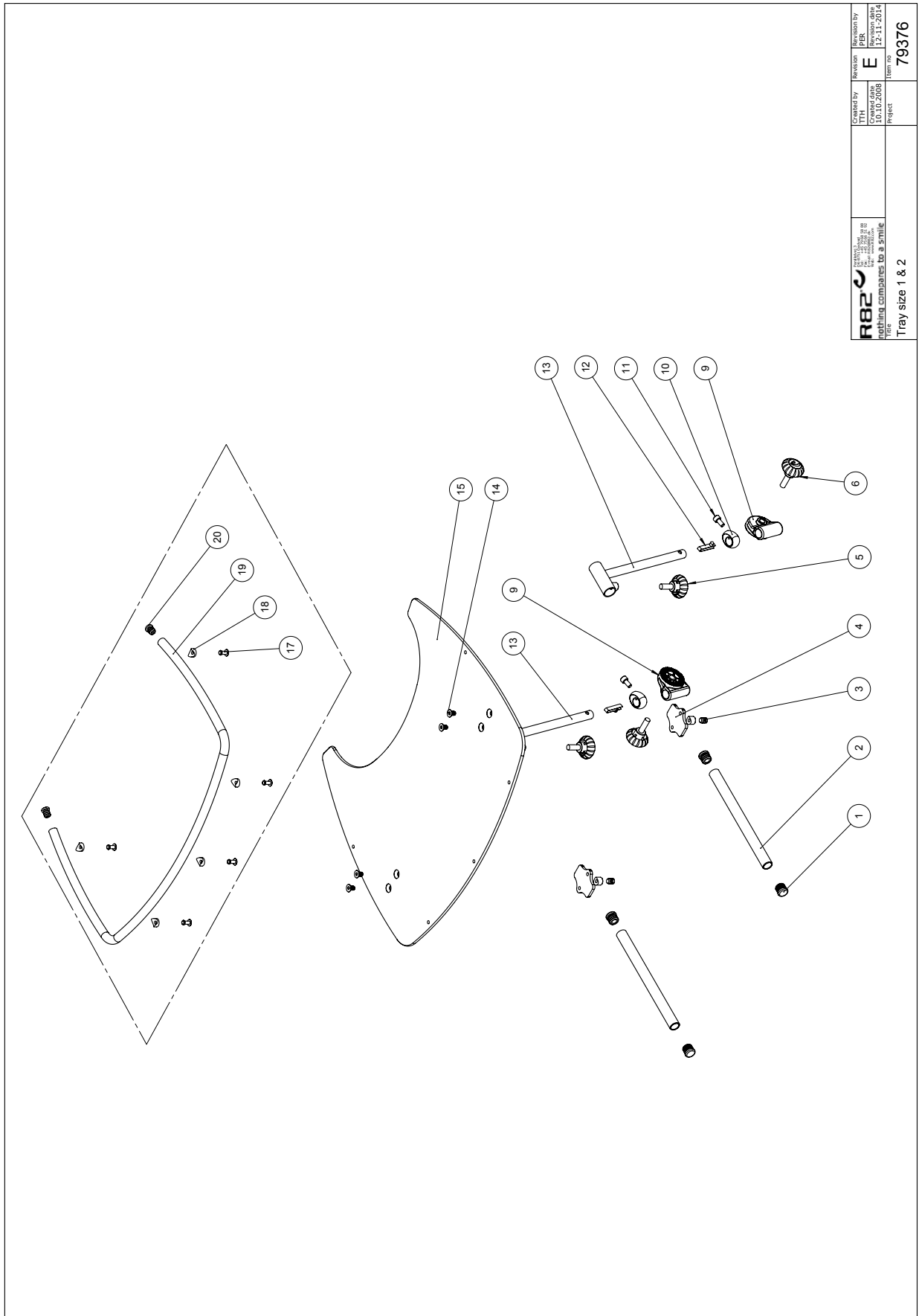
 R82 A/S Parallelvej 3 8751 Gedved Denmark	Created by LTH	Revision A	Revision by PER
	Created date 2009-2009	Revision date 12-09-2012	Name no. 79380
Side support, flexible size 1 & 2		Part no. 1015	

C:\PROMOTIONS\projekter\79380_015 Stingray\79380

Item numbers for flexible side support, size 1 & 2

Position	No.	Description	Quantity	Unit of Measure	Ean code
1	75840	Back plate for hip support	PIECES	2	5707292503329
2	76175	Holder for dovetail	PIECES	2	5707292503336
3	0609720	Stainless insex 6x10	PIECES	4	5707292446039
4	76183	Handle M6 with bush	PIECES	4	5707292505859
5	1811102	M3x6 UH A2	PIECES	2	5707292510648
6	76176	Safety lock	PIECES	2	5707292503367
7	76173	Toothdisc bracket w. Dovetail	PIECES	2	5707292503947
8	76171	Crank for side support	PIECES	2	5707292491602
9	75838	Toothdisc bracket f. Hip supp.	PIECES	2	5707292503916
10	0659005	Insex button head M6x10,stainl	PIECES	4	5707292423740
11	76189	Saddle for excentrik hande	PIECES	4	5707292503374
12	76201	Stay with M6	PIECES	4	5707292503992
13	0529045	Pin 4x15mm, stainless 303	PIECES	4	5707292509833
14	76188	Handle eccentric	PIECES	4	5707292503350
15*	76177	Side plate, size 1 left	PIECES	1	5707292491640
	76179	Side plate, size 2 left	PIECES	1	5707292491671
16+17*	8730311	Stingray hipsupport cover 1	SET	1	5707292514158
	8730321	Stingray hip support cover 2	SET	1	5707292514189
18*	76178	Side plate, size 1 right	PIECES	1	5707292491664
	76180	Side plate, size 2 right	PIECES	1	5707292491695
*choose size/type					

Tray size 1 & 2 (79376)

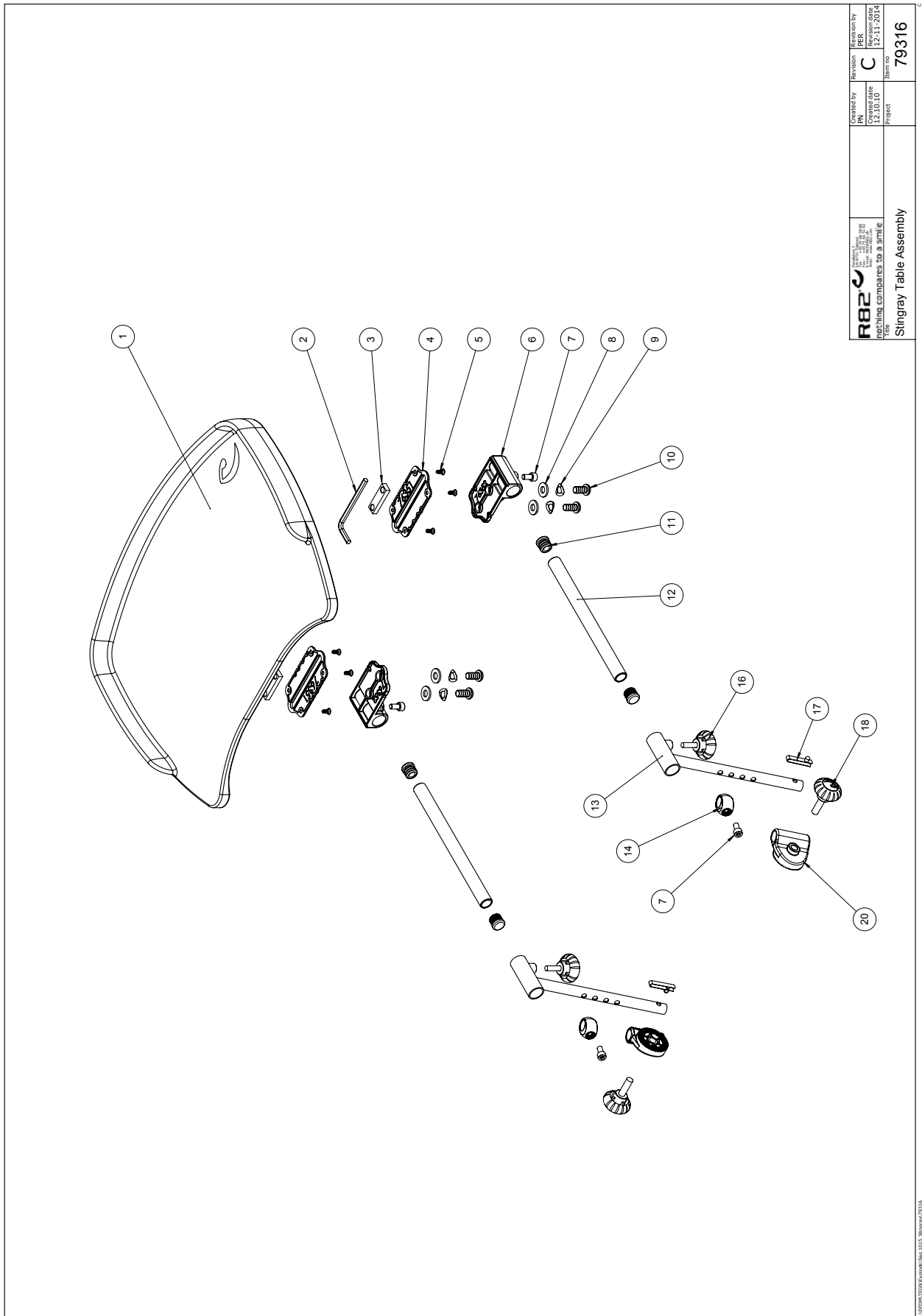


 R82 A/S nothing compares to a smile Title Tray size 1 & 2	Created by JTH	Revision E	Revision by PER
	Date 10.10.2008	Item no. 79376	Date 12.11.2014

Item numbers for tray size 1 & 2

Position	No.	Description	Quantity	Unit of Measure	Ean code
1	2501600	Ferrule D15x1,0 black	PIECES	4	5707292143969
2	70866	Pipe ø16x1,5	PIECES	2	5707292103376
3	0806010	Stainless stop screw 6x10	PIECES	2	5707292139993
4	70255	Mounting for table	PIECES	2	5707292101976
5	3652501	R82 handle M6x16MM screw	PIECES	2	5707292413963
6	3501201	R82 handle M8x25mm Screw	PIECES	2	5707292413932
9	76240	Holder for hand brace	PIECES	2	5707292506016
10	76355	Adjustment ring	PIECES	2	5707292541765
11	0602190	Insex M6x12, FZB	PIECES	2	5707292138088
12	6153700	Knob spring	PIECES	2	5707292188601
13	76213	Bracket welded for tray, right	PIECES	2	5707292506115
14	0609720	Stainless insex 6x10	PIECES	4	5707292446039
15*	76214	Plate for Stingray size 1	PIECES	1	5707292505569
	76219	Plate for Stingray size 2	PIECES	1	5707292505576
17	0506508	Rivet 5x14, stainless	PIECES	5	5707292359476
18	1310703	Washer Ø13, Ø5,5, H2,5	PIECES	5	5707292517951
19*	76215	Rail for tray size 1	PIECES	1	5707292517906
	76216	Rail for tray size 2	PIECES	1	5707292517913
20	2501500	Ferrule D12x0,5-1,5 INT.black	PIECES	2	5707292143952
*choose size/type					

Table (79316)

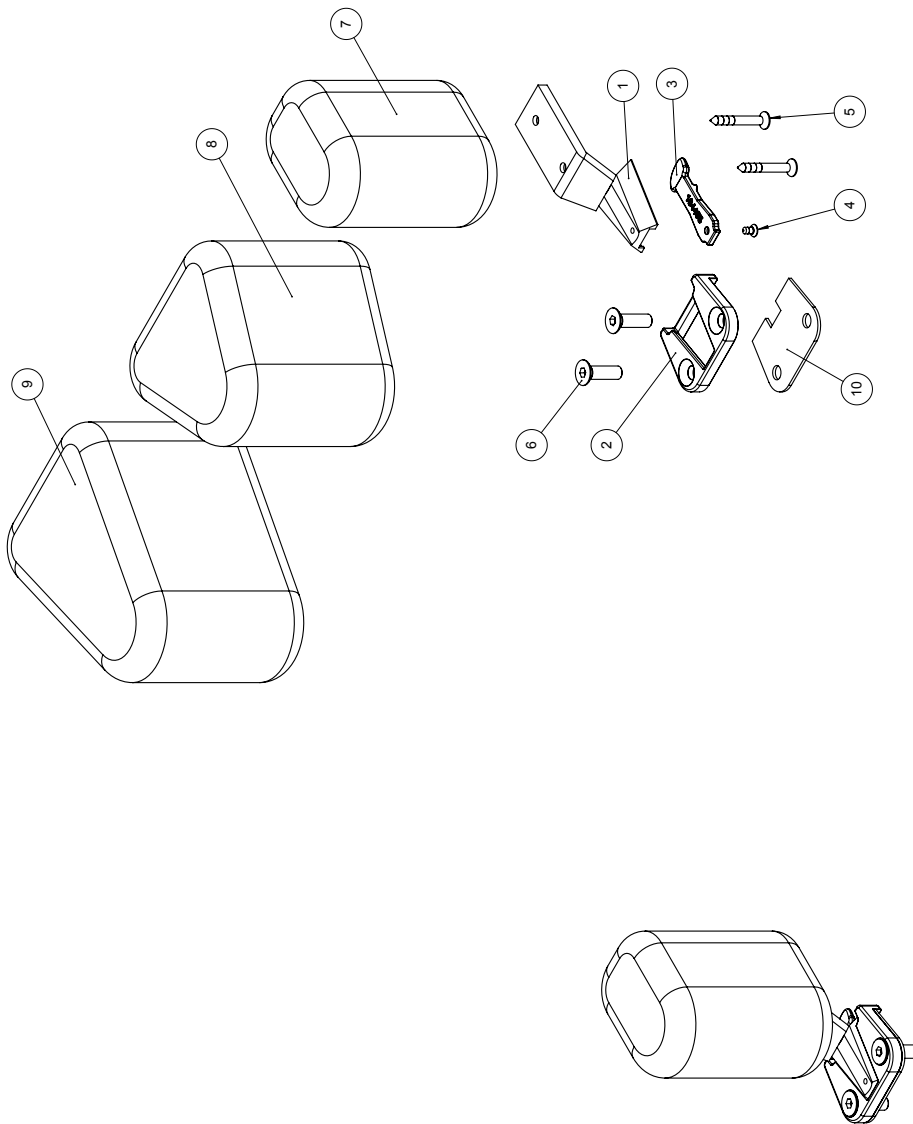


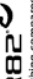
 R82 A/S Parallelvej 3 8751 Gedved Denmark "making companies to smile"	Created by PN 12.10.10	Revision C	Revision by PER 12.11.2014
	Project Stingray Table Assembly	Item no 79316	

Item numbers for table

Position	No.	Description	Quantity	Unit of Measure	Ean code
1	76350	Table for Stingray, Grey	PIECES	1	5707292541727
2	0589500	Insex keys n5	PIECES	1	5707292137869
3	76356	Slidebar 12x40x6, 2x M8	PIECES	2	5707292544339
4	76351	Mounting plate	PIECES	2	5707292541741
5	1940011	Plastite 60, 4x8	PIECES	8	5707292545978
6	76352	Mounting bracket	PIECES	2	5707292541758
7	0602190	Insex screw 6x12	PIECES	4	5707292138088
8	1105080	Stainless washer 8mm	PIECES	4	5707292140364
9	1100500	Spring washer 8mm, stainless	PIECES	4	5707292140142
10	0661500	Button head screw 8x16 stainl.	PIECES	4	5707292139559
11	2501600	Ferrule d15x1,0 black	PIECES	4	5707292143969
12	70866	Pipe Ø16x1,5	PIECES	2	5707292103376
13	76213	Bracket welded for tray, right	PIECES	2	5707292506115
14	76355	Adjustment ring	PIECES	2	5707292541765
16	3652501	R82 handle M6x16mm screw	PIECES	2	5707292413963
17	6153700	Knob spring f.activity centre	PIECES	2	5707292188601
18	3501201	R82 handle M8x25mm screw	PIECES	2	5707292413932
20	76240	Holder for hand brace	PIECES	2	5707292506016

Pommel - for size 1,2 &3 (79384)



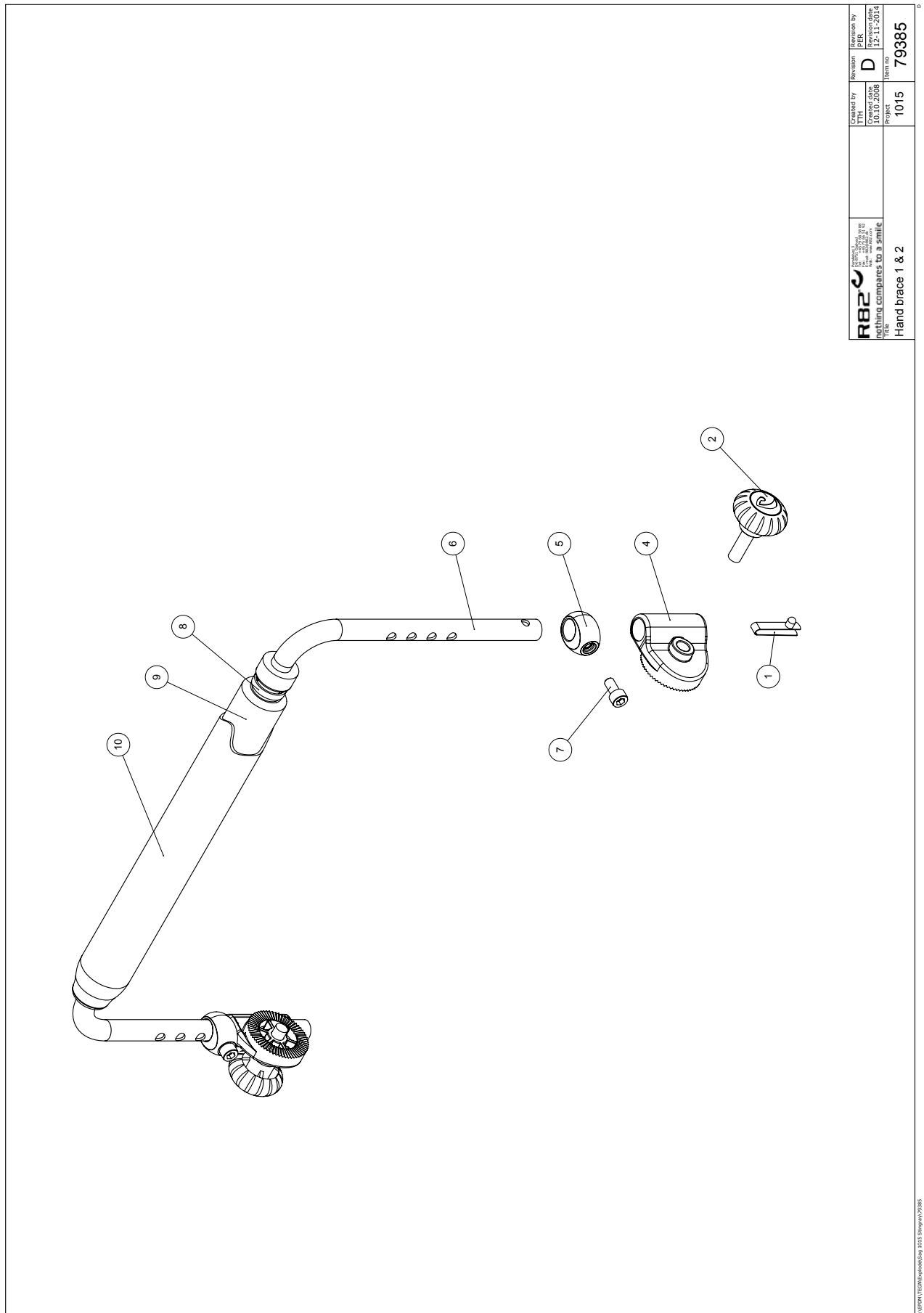
 R82 Group of Companies nothing compares to a smile Title: Pommel 1 & 2 & 3	Created by 06-02-2009	Revision C	Revision by 30-01-2014
	Project 1015	Item no 79384	

C:\POMMEL\BOMMEL\BOMMEL.DWG 1015 Stingray 79384

Item numbers for pommel - for size 1,2 & 3

Position	No.	Description	Quantity	Unit of Measure	Ean code
1	76209	Mounting for pommel	PIECES	1	5707292543554
2	76175	Fitting	PIECES	1	5707292503336
3	76176	Safty lock	PIECES	1	5707292503367
4	1811102	M3x6 screw UH	PIECES	1	5707292510648
5	1811275	Screw 4x30MM	PIECES	2	5707292141743
6	0609731	Stainless insex 6x25 UH.	PIECES	2	5707292138514
7	6175110	Pommel, black PUR	PIECES	1	5707292466624
8	6175111	Pommel, black PUR	PIECES	1	5707292189103
9	6175112	Pommel, black PUR	PIECES	1	5707292189110

Hand grip - for size 1 & 2 (79385)



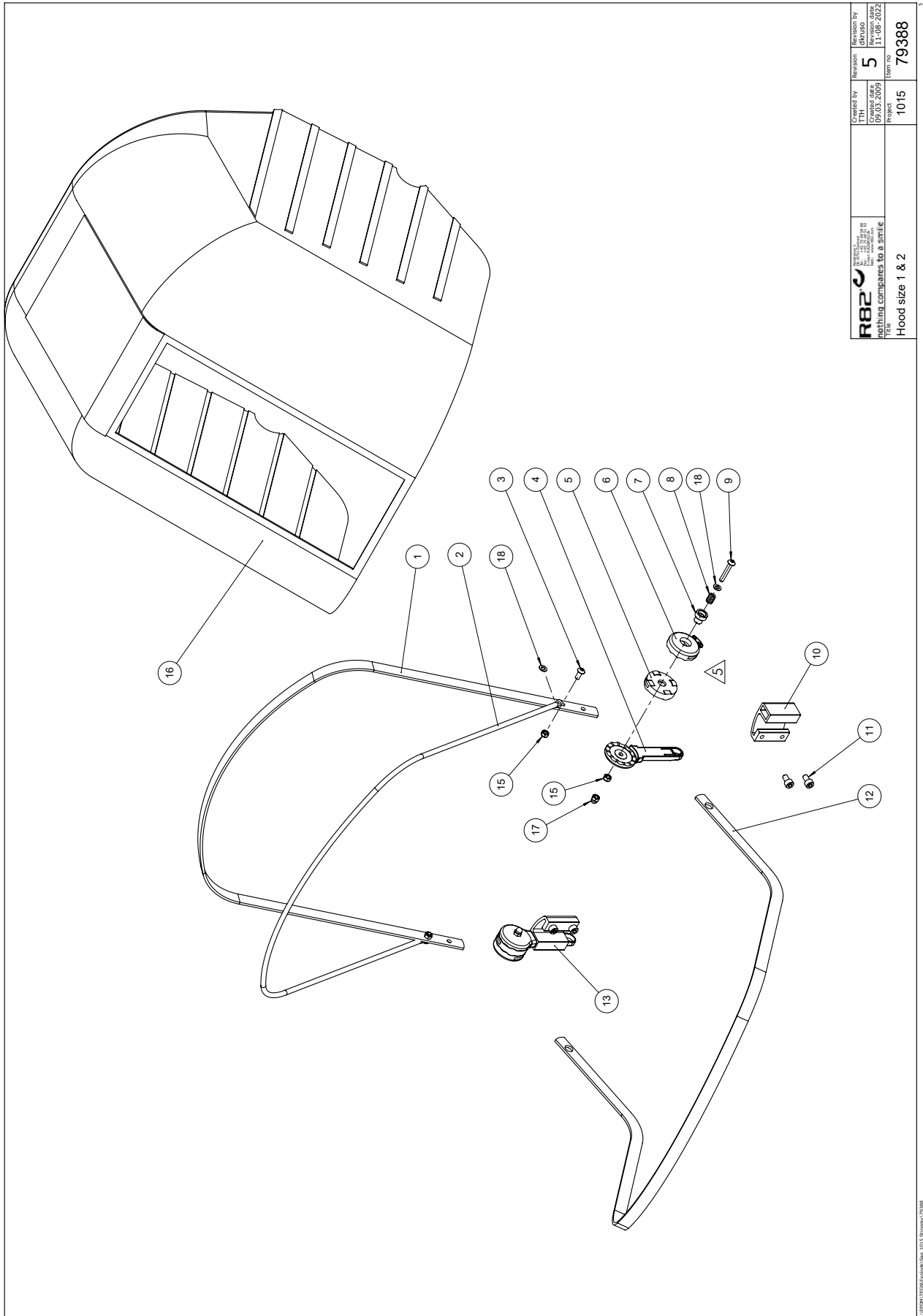
 nothing compares to a smile Title	Created by Created date 10.10.2008	Revision D	Revision by Revision date 12.11.2014
	Project 1015	Item no. 79385	
	Hand brace 1 & 2		

C:\Users\T\Documents\79385 Stingray\79385

Item numbers for hand grib - for size 1 & 2

Position	No.	Description	Quantity	Unit of Measure	Ean code
1	6153700	Knob spring	PIECES	2	5707292188601
2	3501201	R82 handle M8x25mm Screw	PIECES	2	5707292413932
4	76240	Holder for hand brace	PIECES	2	5707292506016
5	76242	Distance piece	PIECES	2	5707292505095
6*	76243	Hand brace size 1	PIECES	1	5707292505293
	76244	Hand brace size 2	PIECES	1	5707292505309
7	0658016	Button head M5x16, stainless	PIECES	2	5707292139399
8	0235075	Cable tape, black	PIECES	2	5707292135308
9	4395005	Tube isolation Ø13MM, 2,0M	METER	0,3	5707292522818
10*	8720411	Cover for Handgrip size 1	PIECES	1	5707292524263
	8720412	Cover for Handgrip size 2	PIECES	1	5707292524270
*choose size/type					

Folding top - for size 1 & 2 (79388)



 R82 A/S Parallelvej 3 8751 Gedved Denmark The nothing compares to a smile	Created by 09.03.2009	Revision 5	Revision by 11-08-2022
	Project 1015	Item no. 79388	Title Hood size 1 & 2

Item numbers for folding top - for size 1 & 2

Position	No.	Description	Quantity	Unit of Measure	Ean code
1*	76289	Brace 3 size 1	PIECES	1	5707292505255
	76293	Brace 3 size 2	PIECES	1	5707292505286
2*	76288	Brace 2 size 1	PIECES	1	5707292505231
	76292	Brace 2 size 2	PIECES	1	5707292505279
3	0658010	Button head M5 X 10, stainless	PIECES	2	5707292139375
4	100893	Tooth disk ø40, inside	PIECES	2	5707292554574
5	100891	Tooth disk ø40, middle	PIECES	2	5707292554550
6	100892	Tooth disk ø40, outside	PIECES	2	5707292554567
7	100890	Distance bush Stingray	PIECES	2	5707292555564
8	0302011	Spring i5,2x17x1,6x5v rf	PIECES	2	5707292555489
9	0640935	Button head M5x35 rf	PIECES	2	5707292485748
10	100836	Holder for hood	PIECES	1	5707292553072
11	0609810	Stainless insex CH M6x10	PIECES	4	5707292440594
12*	76287	Brace 1 size 1	PIECES	1	5707292505248
	76291	Brace 1 size 2	PIECES	1	5707292505262
13	100836	Holder for hood	PIECES	1	5707292553072
14	1760005	Compensating nut 8MM	PIECES	2	5707292141491
15	1631050	Stainless lock nut M5	PIECES	2	5707292510662
16*	8720111-1	Cover for folding top sz.1, blue	PIECES	1	5707292519665
	8720112-1	Cover for folding top sz.1, red	PIECES	1	5707292519672
	8720113-1	Cover for folding top sz.1, green	PIECES	1	5707292519689
	8720121-1	Cover for folding top sz.2, blue	PIECES	1	5707292519696
	8720122-1	Cover for folding top sz.2, red	PIECES	1	5707292519702
	8720123-1	Cover for folding top sz.2, green	PIECES	1	5707292519719
17	1781050	Top nut M5 / lock rf	PIECES	2	5707292530639
*choose size/type					

Vertical oxygen bottle holder (163554)

ITEM NO.	PART NUMBER	QTY.
1	138369	1
2	138662	2
3	1750600	2
4	0659011	2
5	159779	1
6	162287	1
7	0659501	2
8	163577	1
9	1105060	2
10	1631060	2
11	1101000	2
12	0609820	2
13	0609825	1

Tolerance	DS/ISO 2768-m	Project	1015	R82
Surface	No surface treatment	Created by	dkpeni	Revision by
Material		Created date	17-02-2022	dkpeni
		Scale	1:3	Revision date
				05-04-2022
		Weight	711g	
Title	Vertical oxygen holder	Format	A4	Item no
				163554

C:\EPDK\Projects\1015\1015 ECO\VC 1039 - Vertical oxygen holder\163554

Item numbers for vertical oxygen bottle holder

Position	No.	Description	Quantity	Unit of Measure	Ean code
1	138369	Bracket 2 for oxygen holder	PCS	1	5707292844767
2	138662	Strap for oxygen bottle	PCS	2	5707292844873
3	1750600	Lock nut, stainless M6	PCS	2	5707292141477
4	0659011	Button head with flange M6x12	PCS	2	5707292505507
5	159779	Bracket for oxygen bottle holder	PCS	1	5707292934642
6	162287	Strap for oxygen bottle holder	PCS	1	5707292948861
7	0659501	Button head w/flange M6x16 FZB	PCS	2	5707292356000
8	163577	Bracket, oxygen bottle holder	PCS	1	5707292948632
9	1105060	SS washer M6 6,4x12x1,6	PCS	2	5707292140357
10	1631060	Stainless lock nut 6mm	PCS	2	5707292141446
11	1101000	Center spring washer 8mm	PCS	2	5707292140173
12	0609820	Stainless insex screw 8x20	PCS	2	5707292138576
13	0609825	Stainless insex screw 8x25	PCS	1	5707292138583