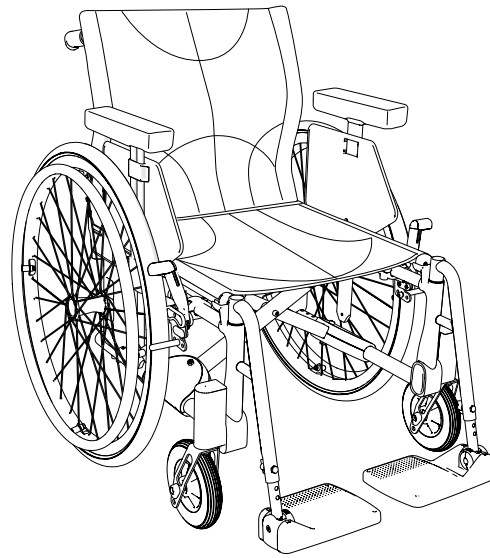


# Etac Crissy

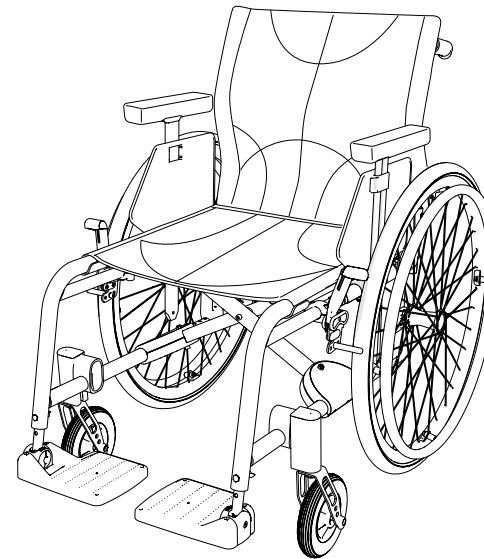
## Spareparts list english



1A15761.8 2023-09-22



Etac Crissy Swing-Away



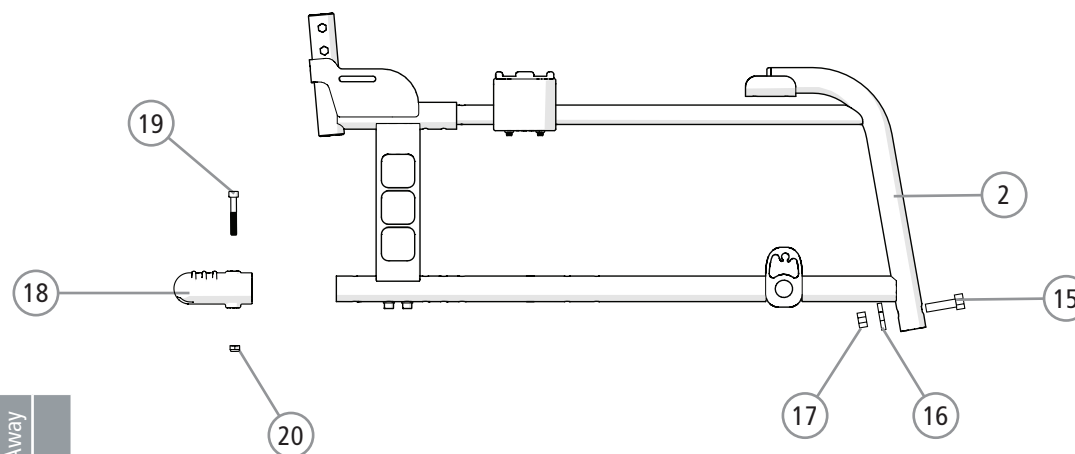
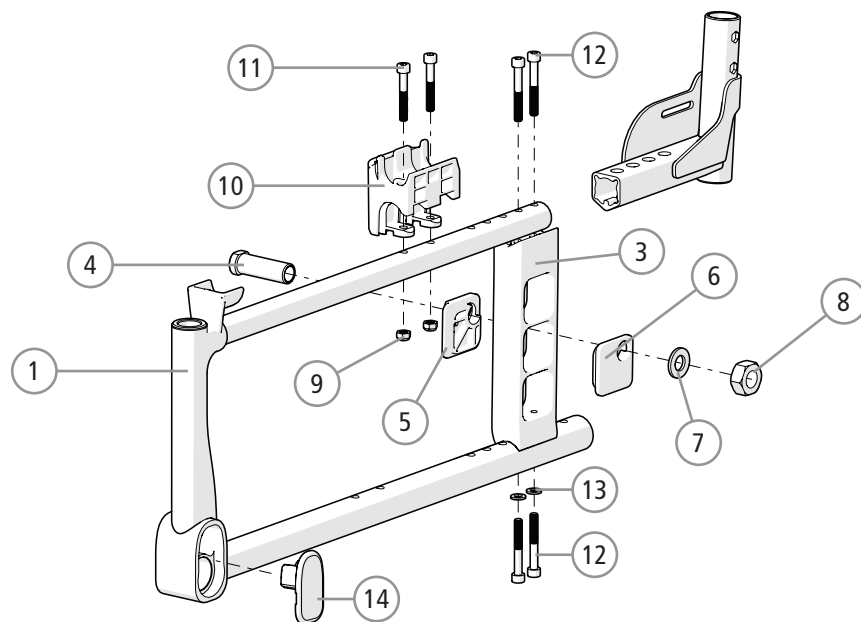
Etac Crissy Active

# Index

Index	Page
Side frame	3
Cross frame	4
Back support 2C	5
Back support 2B	6
Back support 2B angle adjustable	7
Bow handle	8
Back support brace	9
Leg support	10
Leg support elevating mod 3	11
Padded calf support	12
Amputee leg support	13
Foot support 13 cm	14
Extender footplate	15
Foot support 15 cm	16
Foot support one piece	17
Brake	18
Rear wheel	19
Attendant brake	20-21
Attendant brake for fixed back support with fixed push handles	22
Tyre and innertube	23
Handrim	24
Castor	25
Upholstery seat/Seat extension	26
Back support upholstery back support 2C	27
Back support upholstery back support 2B	28

Index	Page
Back support cover back support 2C	29
Back support cover back support 2C	30
Arm support	31-32
Sideguard	33
Mudguard	34
Tray	35
Tray Hemi	36
Tray Hemi/Communication	37
Anti tip	38
Anti tip Active	39
Spoke guard	40
Cane holder	41
Head support	42

## Side frame



Swing-Away	Active
●	
	●
●	●
●	●
●	●
●	●
●	●
●	●
●	●

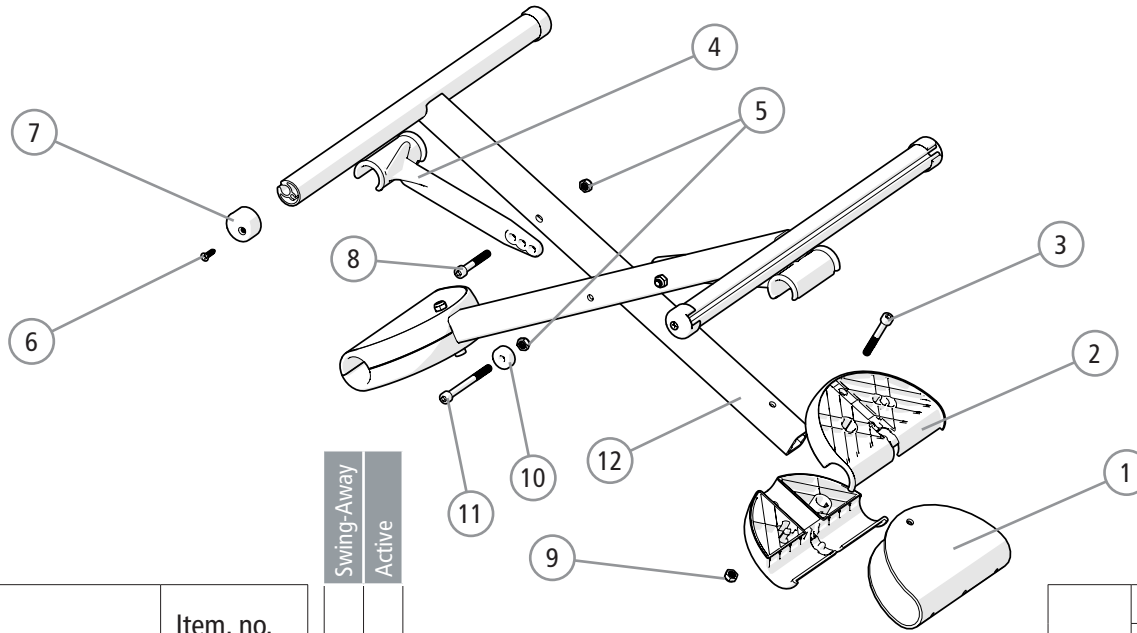
Pos.	Description	Item. no.
1,9-11	Side frame Crissy right Side frame Crissy left	
2,9-11	Side frame Crissy Active right Side frame Crissy Active left	
3	Rear wheel attachment	83209-XX
4	Axle sleeve M100 D12	20024
5	Camber washer outer 2° Camber washer outer 0°	82567 82569
6	Camber washer inner 2° Camber washer inner 0°	82568 82570
7	Schnorr washer 17x24x1.3 zink plated	13084
8	Nut M16x1 NV24 B8 zink plated	12052
9	Locking nut M6 zink plated DIN 985-6	12017

Swing-Away	Active
●	●
●	●
●	●
●	●
●	●
●	●
●	●
●	●
●	●
●	●

**Colour codes rear wheel attachment:**

01=matt black, 75=ruby red, 76=champagne, 77=menthol

# Cross frame



	Swing-Away	Active
1	●	●
2	●	●
3	●	●
4	●	●
5	●	●
6	●	●
7	●	●
8	●	●
9	●	●
10	●	●
11	●	●

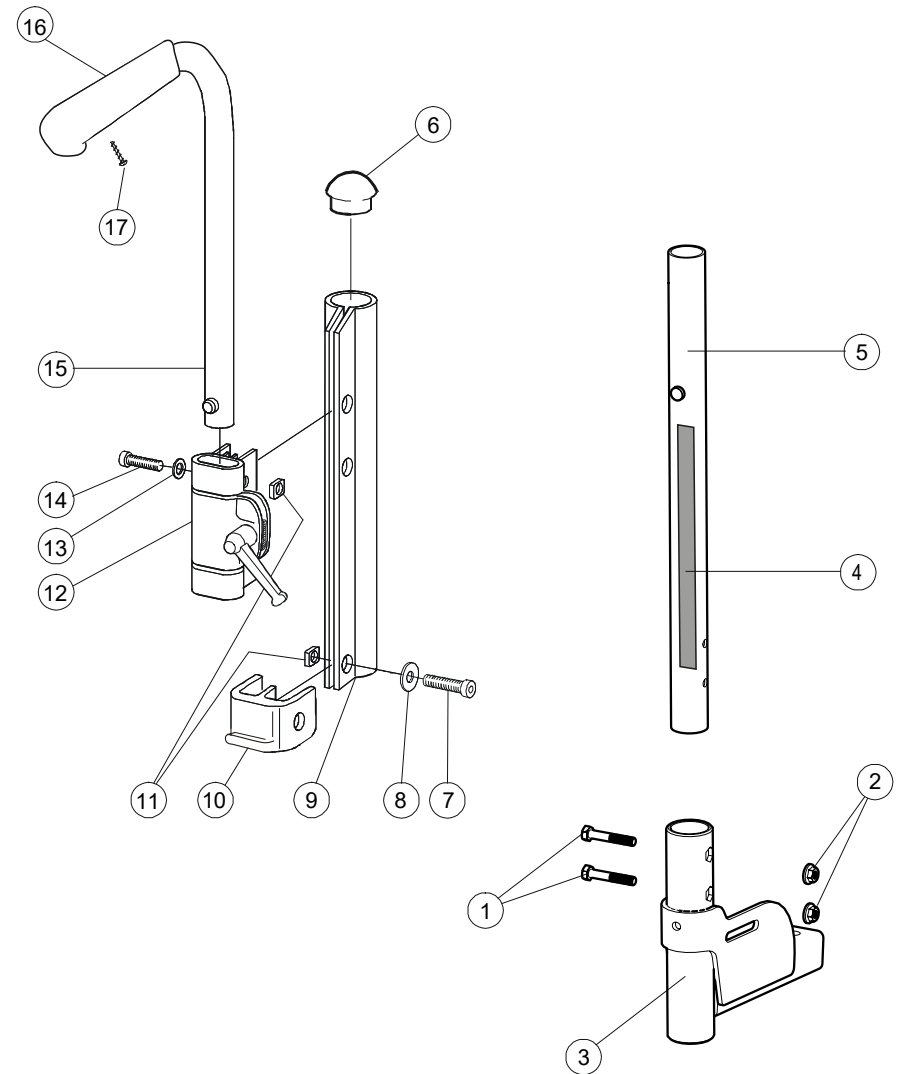
12	Cross frame 37.5	
	Cross frame 40	
	Cross frame 42.5	
	Cross frame 45	
	Cross frame 47.5	
	Cross frame 50	

	Swing-Away	Active
1	●	●
2	●	●
3	●	●
4	●	●
5	●	●
6	●	●
7	●	●
8	●	●
9	●	●
10	●	●
11	●	●
12	●	●

Pos.	Description	Item. no.
1	Attachment plate cross frame	
2	Attachment cross frame	
3	Screw M6x45 MC6S 10.9 black	11231
4	Plate cross frame 37.5-42.5 cm black Plate cross frame 45-50 cm black	51160 51161
5	Locking nut M6 DIN 985-6 zink plated	12017
6	Screw B8x16 FXS black	11401
7	Plug seat tube Cross/M100	50406
8	Screw M6x40 MC6S 10.9 zink plated	11229
9	Locking nut M6 DIN 985-6 black	12035
10	Spacer plastic cross frame	50483
11	Screw M6x65 MC6S 10.9 zink plated	11236

## Back support 2C

	Swing-Away	Active
	●	●
	●	●
	●	●
	●	●
	●	●
	●	●
	●	●
	●	●
	●	●
	●	●
	●	●
	●	●
	●	●
	●	●
	●	●
	●	●
	●	●
	●	●
	●	●
	●	●
	●	●
	●	●
	●	●
	●	●

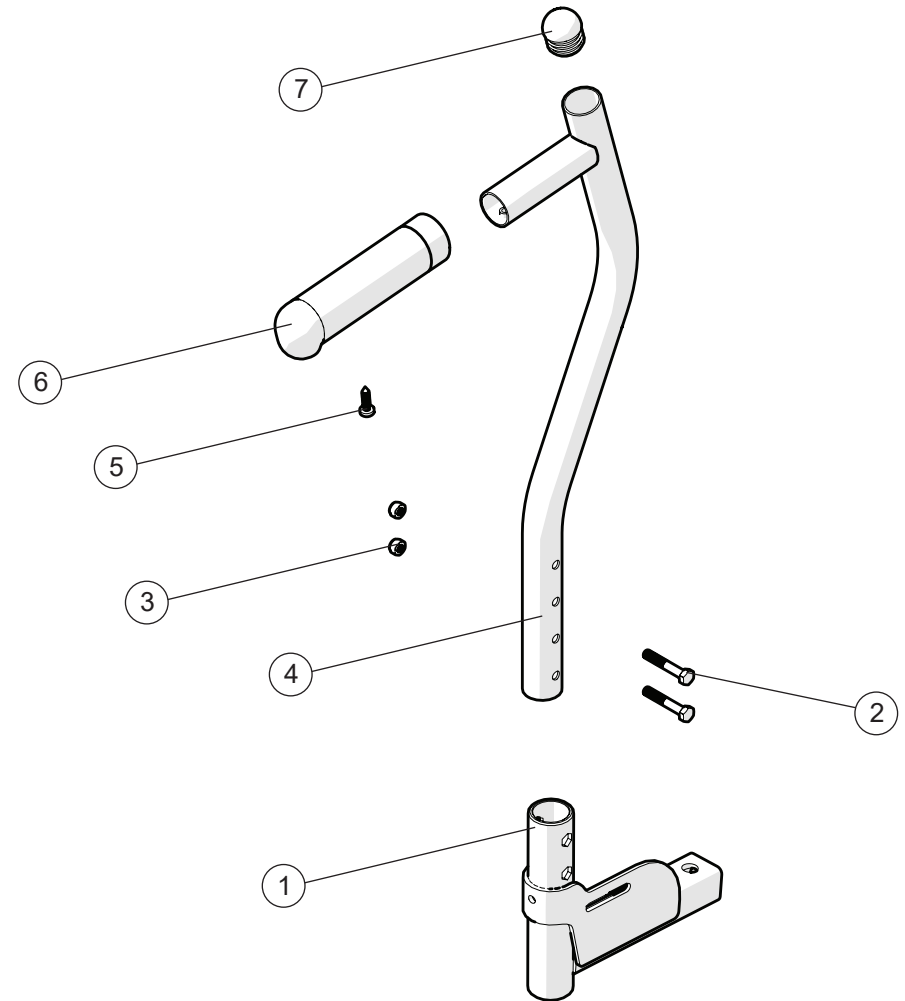


Pos.	Description	Item. no.
1	Screw M5x30 M6S zink plated	11403
2	Locking nut M5 M6MF zink plated	12060
3	Adapter back support Crissy 2B cpl right	28431-01-1
	Adapter back support Crissy 2B cpl left	28431-01-2
4	Label height adjustment	71851
5	Back support tube black	28432-01
6	Plug 25-21/23 R12.5 white	50248
7	Screw M6x 22 MC6S 8.8 zink plated	11012
8	Washer BRB 6.4x10x1.5 zink plated	13080
9	Wedge back 6063A-T6	80851
10	Dust cover right	50405
	Dust cover left	50407
4-10	Back support tube right	28451-01-1
	Back support tube left	28451-01-2
11	Square nut high M6 black	12058
12	Attachment push handles	25676
13	Washer BRB M6 black	13030
14	Screw M6x30 MC6S 8.8 black esl	11398
15	Push handle height adjustable	27298
16	Cover for handle	82221
17	Screw B8x16	11041
15-17	Push handle height adjustable	27338-01

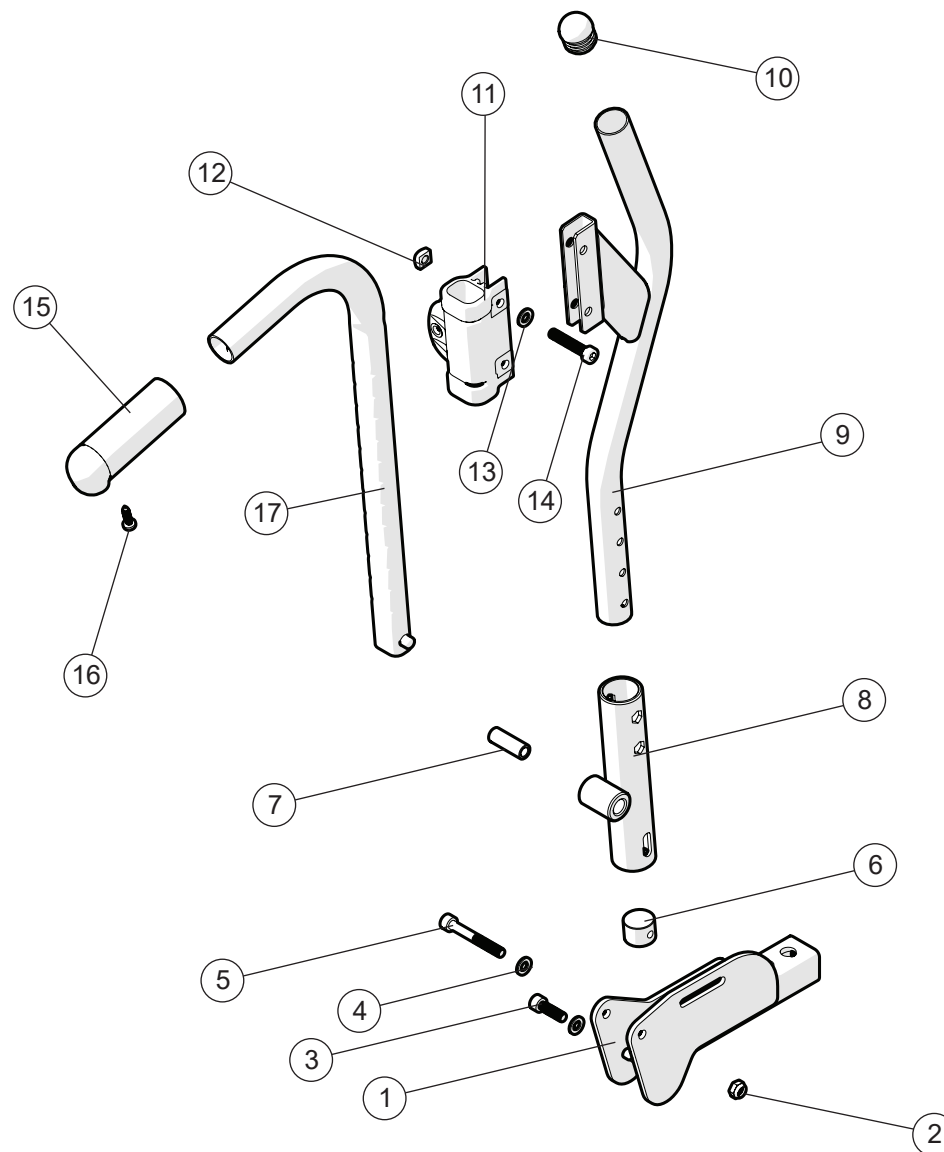
## Back support 2B

Pos.	Description	Item. no.
1	Adapter back Crissy 2B right	28431-01-1
	Adapter back Crissy 2B left	28431-01-2
2	Screw M5x30 M6S zink plated	11403
3	Locking nut M5 DIN 985-6	12060
4	Back support tube low	
	Back support tube high	
4-7	Back support tube w push handle B2B low incl handle cover	28760
	Back support tube w push handle B2B high incl handle cover	28761
5	Screw B8x16 RTS zink plated 4.2	11041
6	Handle cover L80	28364
7	IKH 22 18-20	51174

	Swing-Away	Active
	●	●
	●	●
	●	●
	●	●
	●	●
	●	●
	●	●
	●	●
	●	●



# Back support 2B angle adjustable

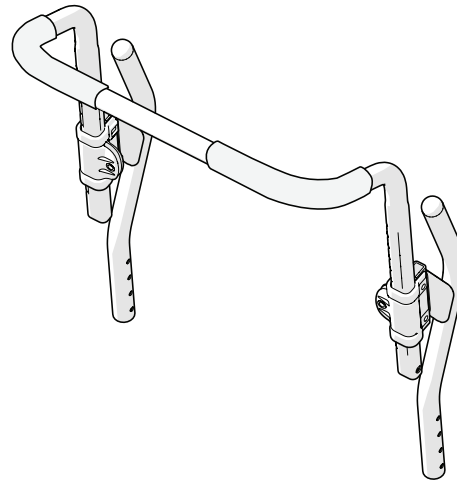


	Swing-Away	Active
--	------------	--------

	●	●
	●	●
	●	●
	●	●
	●	●
	●	●
	●	●
	●	●
	●	●
	●	●
	●	●
	●	●
	●	●
	●	●
	●	●

Pos.	Description	Item. No.
1	Attachment sideframe angle adj right	28557-01-1
	Attachment sideframe angle adj left	28557-01-2
2	Locking nut M6 fzb DIN 985-6	12017
3	Screw M6x20 MC6S	11392
4	Washer 6,5x12x1,5	13030
5	Screw M6x45 MC6S A2	11016
6	Nut D20 L15 M6	20533
7	Sleeve	20532
8	Attachment back angle adj	28558-01
1-8	Adapter angle adj back right	28559-1
	Adapter angle adj back left	28559-2
9	Back support adj handle 2B low right	28766-1
	Back support adj handle 2B low left	28766-2
	Back support adj handle 2B high right	28767-1
	Back support adj handle 2B high left	28767-2
10	IKH 22 18-20	51174
11-17	See back support 2C	

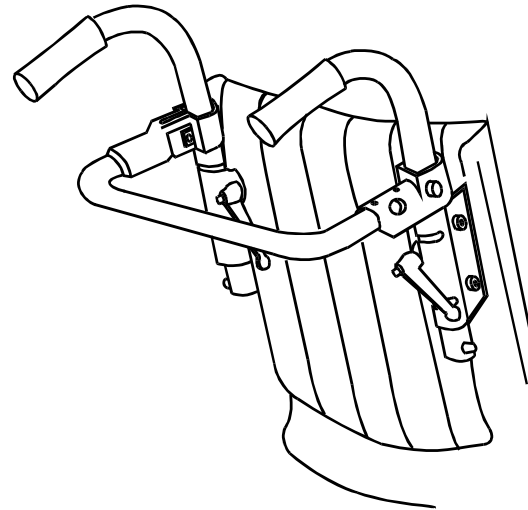
## Bow handle



Pos.	Description	Item. no.		
			Swing-Away	Active
	Bow handle height adj back support 2C 37.5 cm	25579-01	●	●
	Bow handle height adj back support 2C 40 cm	25580-01	●	●
	Bow handle height adj back support 2C 42.5 cm	25581-01	●	●
	Bow handle height adj back support 2C 45 cm	25582-01	●	●
	Bow handle height adj back support 2C 47.5 cm	25730-01	●	●
	Bow handle height adj back support 2C 50 cm	25583-01	●	●

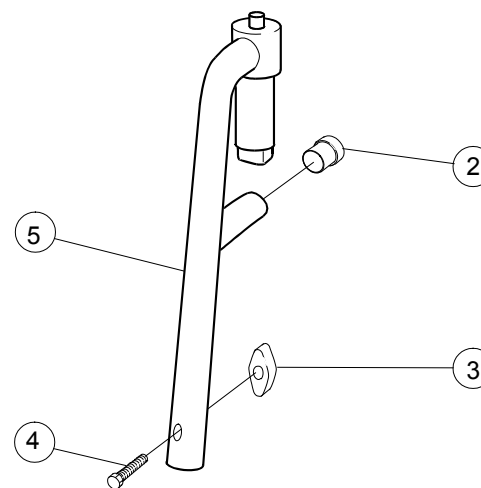
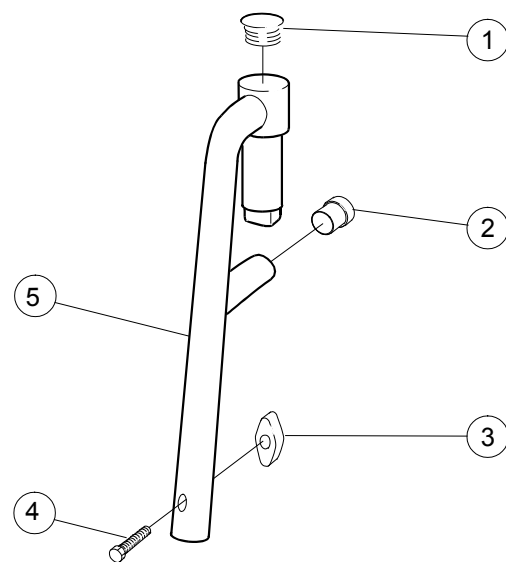


## Back support brace



Pos.	Description	Item. no.		
			Swing-Away	Active
	Back support brace back support 2C 37.5 cm	25611	●	●
	Back support brace back support 2C 40 cm	25612	●	●
	Back support brace back support 2C 42.5 cm	25613	●	●
	Back support brace back support 2C 45 cm	25614	●	●
	Back support brace back support 2C 47.5 cm	25739	●	●
	Back support brace back support 2C 50 cm	25615	●	●

## Leg support



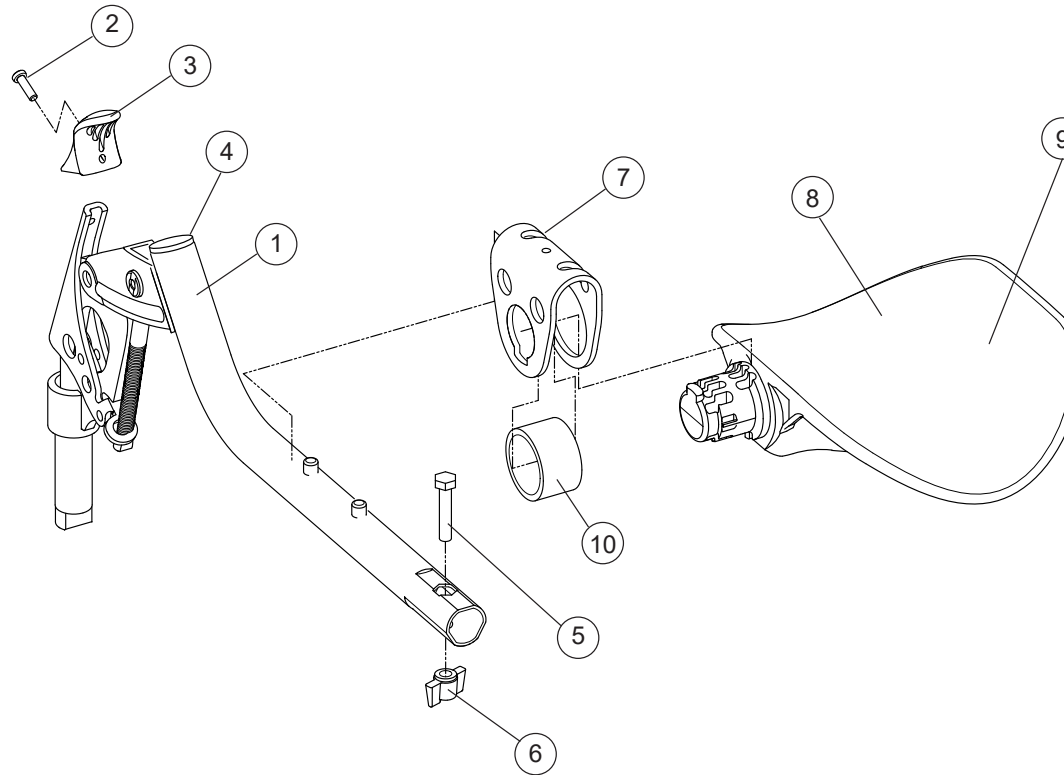
	Swing-Away	Active
1	●	
2	●	
3	●	
4	●	●
1-5	●	
	●	
	●	
	●	
	●	
	●	

	Swing-Away	Active
2-5	●	
	●	
	●	
	●	
	●	
	●	

Pos.	Description	Item. no.
1	Dust cover SFL 20 black	50287
2	Dust cover 16x1 black	50240
3	Wing nut M6	80847
4	Screw M6x30 M6S 8.8 DIN 931	11555
1-5	Leg support narrow angle black	25570-01
	Leg support narrow angle silver white	25570-74
	Leg support wide angle black	25574-01
	Leg support wide angle silver white	25574-74
	Leg support narrow angle short black	25571-01
	Leg support narrow angle short silver white	25571-74

2-5	Leg support narrow angle short lockable black	25572-01
	Leg support narrow angle short lockable silver white	25572-74
	Leg support narrow angle lockable black	25573-01
	Leg support narrow angle lockable silver white	25573-74
	Leg support wide angle lockable black	25575-01
	Leg support wide angle lockable silver white	25575-74

## Elevating leg support model 3



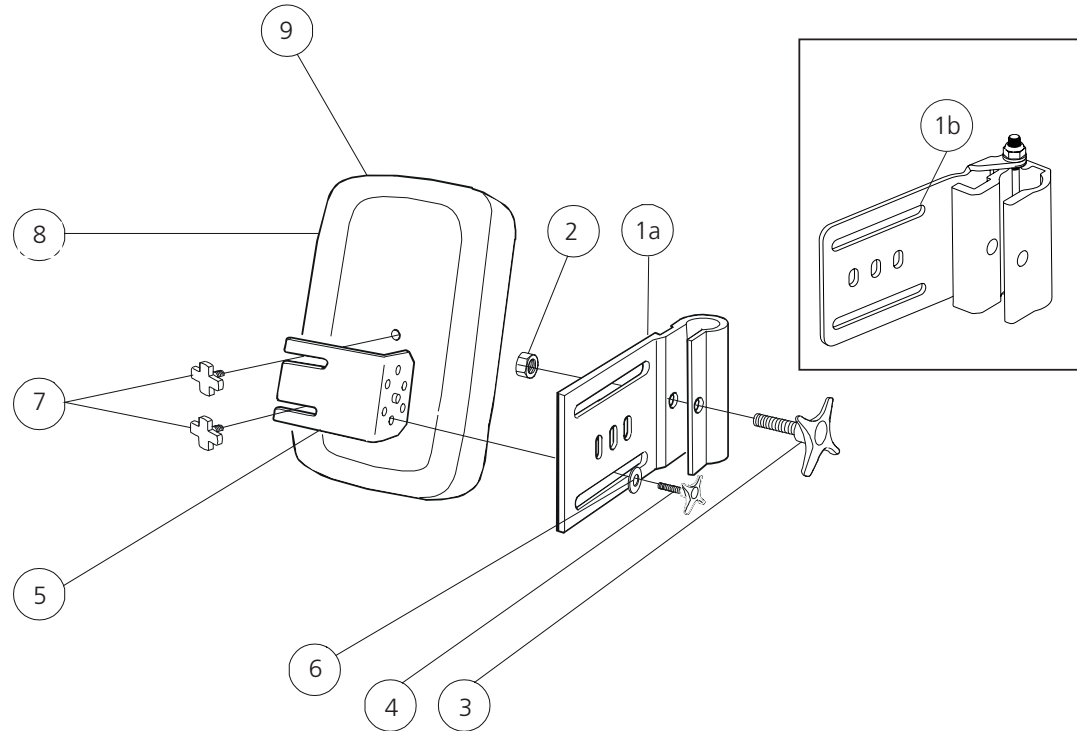
Swing-Away	Active
<input checked="" type="checkbox"/>	<input type="checkbox"/>
<input checked="" type="checkbox"/>	<input type="checkbox"/>
<input checked="" type="checkbox"/>	<input type="checkbox"/>
<input checked="" type="checkbox"/>	<input type="checkbox"/>
<input checked="" type="checkbox"/>	<input type="checkbox"/>
<input checked="" type="checkbox"/>	<input type="checkbox"/>

Swing-Away	Active
<input checked="" type="checkbox"/>	<input type="checkbox"/>
<input checked="" type="checkbox"/>	<input type="checkbox"/>
<input checked="" type="checkbox"/>	<input type="checkbox"/>
<input checked="" type="checkbox"/>	<input type="checkbox"/>
<input checked="" type="checkbox"/>	<input type="checkbox"/>
<input checked="" type="checkbox"/>	<input type="checkbox"/>

Pos.	Description	Item. no.
1-8, 10	Leg support elevating compl with calf support	26100
2	Screw K40x14 PT-KX black	11419
3	Handle elevating leg support	50842
4	Dust cover 22x2	51020
5	Screw M6 x 30 M6S 8,8 zink plated DIN 931	11555
6	Wing nut M6	80847

7	Attachment calf support	26122
8	Calf support	50844
9	Cover calf support dark grey	62762-60
	Cover calf support hygiene	62762-63
10	PUR-ring	50860
7-8, 10	Calf support compl	26136
1-6	Leg support elevating excl calf support	27149

## Padded calf support, elevating leg support model 3



	Swing-Away	Active
7	<input checked="" type="checkbox"/>	<input type="checkbox"/>
7-8	<input checked="" type="checkbox"/>	<input type="checkbox"/>
9	<input checked="" type="checkbox"/>	<input type="checkbox"/>
1a-6	<input checked="" type="checkbox"/>	<input type="checkbox"/>
1b-6	<input checked="" type="checkbox"/>	<input type="checkbox"/>

Pos.	Description	Item. no.
7	Knob R3015 M5x15	80807
7-8	Calf support 35-37.5 cm	62105-60
	Calf support 40-42.5 cm	62104-60
	Calf support 45-47.5 cm	62484-60
	Calf support 50-60 cm	62451-60
9	Cover calf support 35-37.5	62888-60
	Cover calf support 40-42.5	62889-60
	Cover calf support 45-47.5	62890-60
	Cover calf support 50-60	62906-60

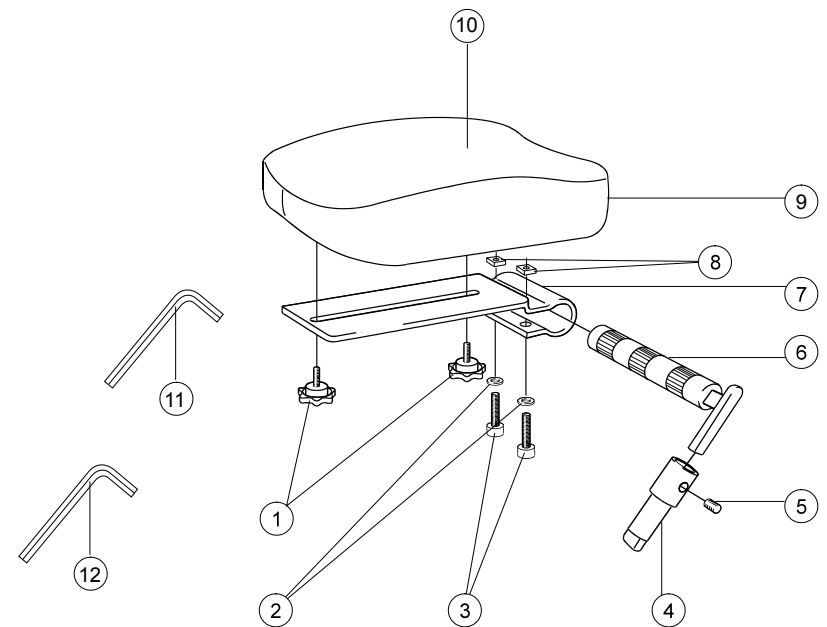
	Swing-Away	Active
7	<input checked="" type="checkbox"/>	<input type="checkbox"/>
7-8	<input checked="" type="checkbox"/>	<input type="checkbox"/>
9	<input checked="" type="checkbox"/>	<input type="checkbox"/>
1a-6	<input checked="" type="checkbox"/>	<input type="checkbox"/>
1b-6	<input checked="" type="checkbox"/>	<input type="checkbox"/>

Pos.	Description	Item. no.
1a	Attachment leg support	24446-01
1b	Attachment leg support flip-up	
2	Nut M6M M8 zink plated	12006
3	Knob 60x22 M8x32 black	80295
4	Knob 40 M6x17 black	80297
5	Holder for calf support black	24421-01
6	Washer 6.4x17x3 DIN7349	13052
1a-6	Attachment leg support cpl	24544-01
1b-6	Attachment leg support flip-up cpl	27322-01

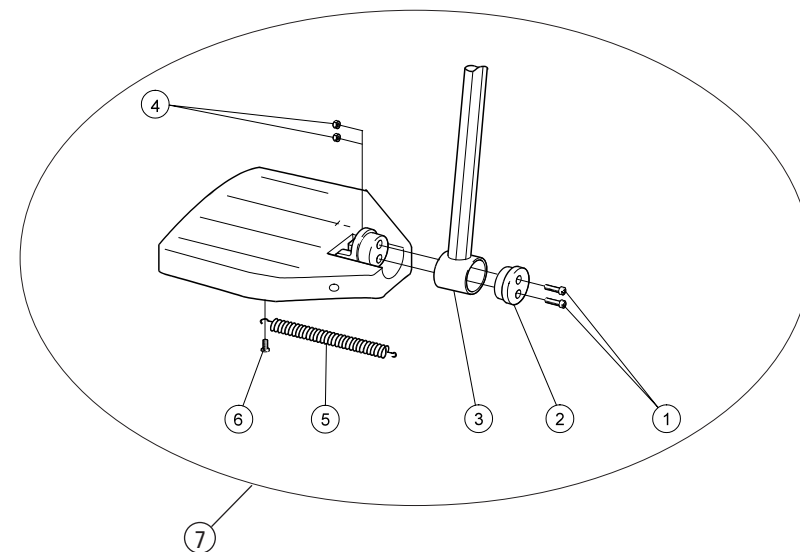
## Amputee leg support

Pos.	Description	Item. no.
1	Knob R3015 M5x15	80807
2	Washer BRB 8.4/A2 stainless steel	13011
3	Screw M 8x 35 MC6S zink plated	11276
4	Locking tube for leg support	25518-01
5	Stop screw M8x8 SK6SS black HRC 45	11388
6	Axle leg support amputee	25519-01
7	Attachment calf support	80809
8	Square nut high M8 zink plated	12056
9	Support pad leg support dark grey plush	62335-60
	Support pad leg support Hygiene cover	62335-63
	Support pad leg support dark grey plush right	62452-60-1
	Support pad leg support dark grey plush left	62452-60-2
	Support pad leg support Hygiene cover right	62452-63-1
	Support pad leg support Hygiene cover left	62452-63-2
10	Cover amputee leg support dark grey plush	62893-60
	Cover amputee leg support Hygiene cover	62893-63
11	Allen key NV4 DIN 911	80141
12	Allen key Nv6 180 mm	82625
1-12	Amputee leg support compl dark grey plush	25516-60
	Amputee leg support compl Hygiene cover	25516-63

Swing-Away	Active
●	
●	
●	
●	
●	
●	
●	
●	
●	
●	
●	
●	
●	
●	
●	



## Foot support



Swing-Away	Active
------------	--------

●	●
●	●
●	●
●	●
●	●
●	●

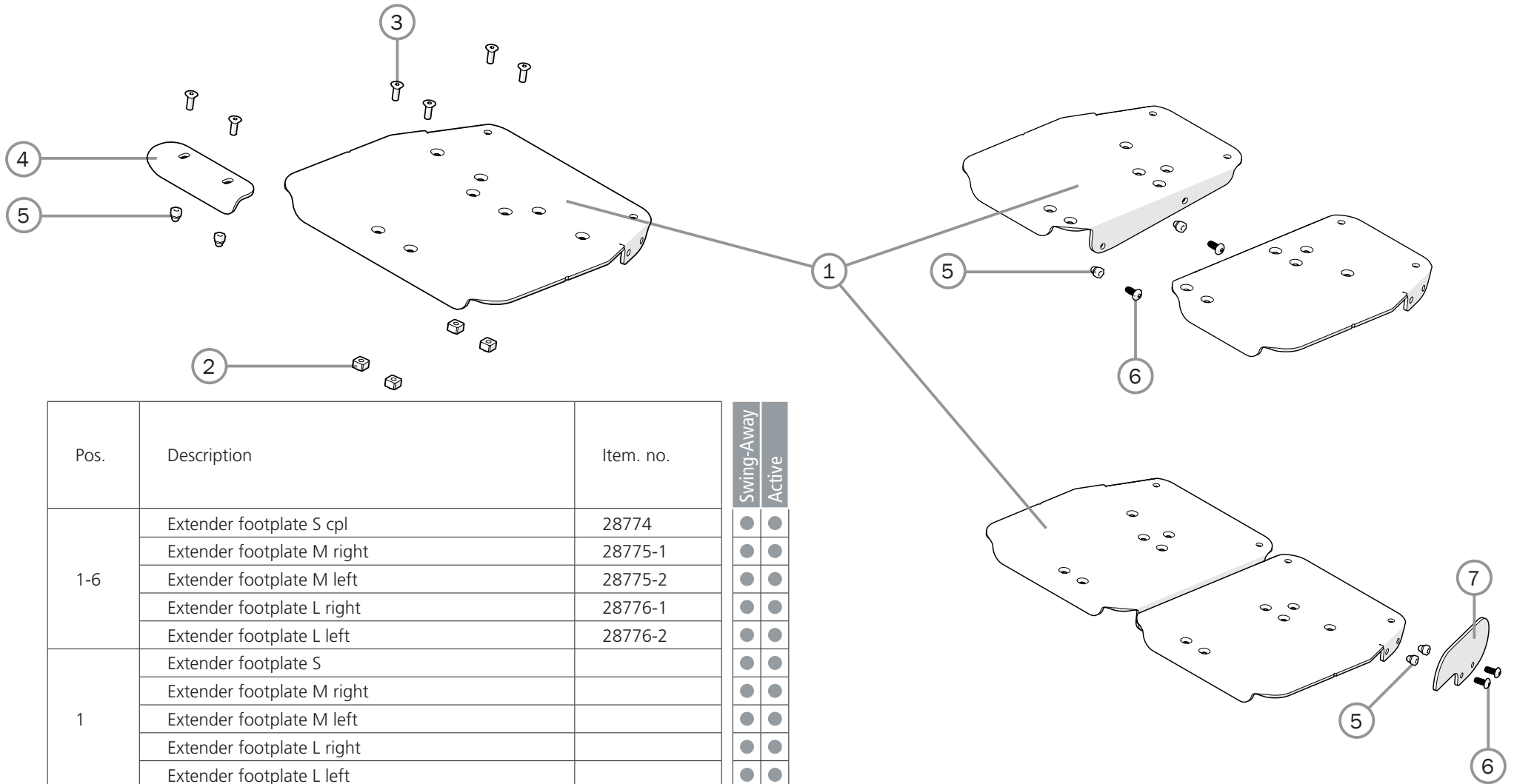
Pos.	Description	Item. no.	Swing-Away	Active
1	Screw M6x25 MC6S 8.8 zink plated	11033	●	●
2	Locking block foot support	20324	●	●
3	Attachment tube foot support std c/c 15 mm black	81997	●	●
	Attachment tube foot support long c/c 15 mm black	81998	●	●
4	Locking nut M6 DIN 985-6 zink plated	12017	●	●
5	Spring foot support plastic	80619	●	●
6	Screw K40x8 PT-KX PHIL WN 1442 zink plated	11344	●	●
7	<b>(Foot support with attachment tube std 25 cm, 81997)</b>			
	Foot support std 37,5 cm right	25642-1	●	●
	Foot support std 37,5 cm left	25642-2	●	●
	Foot support std 40 cm right	25643-1	●	●
	Foot support std 40 cm left	25643-2	●	●
	Foot support std 42,5 cm right	25644-1	●	●
	Foot support std 42,5 cm left	25644-2	●	●
	Foot support std 45 cm right	25645-1	●	●
	Foot support std 45 cm left	25645-2	●	●
	Foot support std 47,5 right	25736-1	●	●
	Foot support std 47,5 left	25736-2	●	●
	Foot support std 50-60 cm right	25646-1	●	●
	Foot support std 50-60 cm left	25646-2	●	●

Swing-Away	Active
------------	--------

●	●
●	●
●	●
●	●
●	●
●	●
●	●
●	●
●	●
●	●
●	●
●	●
●	●
●	●

7	<b>(Foot support with attachment tube long +10 cm, 81998)</b>			
	Foot support long 37,5 cm right	25648-1	●	●
	Foot support long 37,5 cm left	25648-2	●	●
	Foot support long 40 cm right	25649-1	●	●
	Foot support long 40 cm left	25649-2	●	●
	Foot support long 42,5 cm right	25650-1	●	●
	Foot support long 42,5 cm left	25650-2	●	●
	Foot support long 45 cm right	25651-1	●	●
	Foot support long 45 cm left	25651-2	●	●
	Foot support long 47,5 cm right	25737-1	●	●
	Foot support long 47,5 cm left	25737-2	●	●
	Foot support long 50-60 cm right	25652-1	●	●
	Foot support long 50-60 cm left	25652-2	●	●

## Foot support cont.

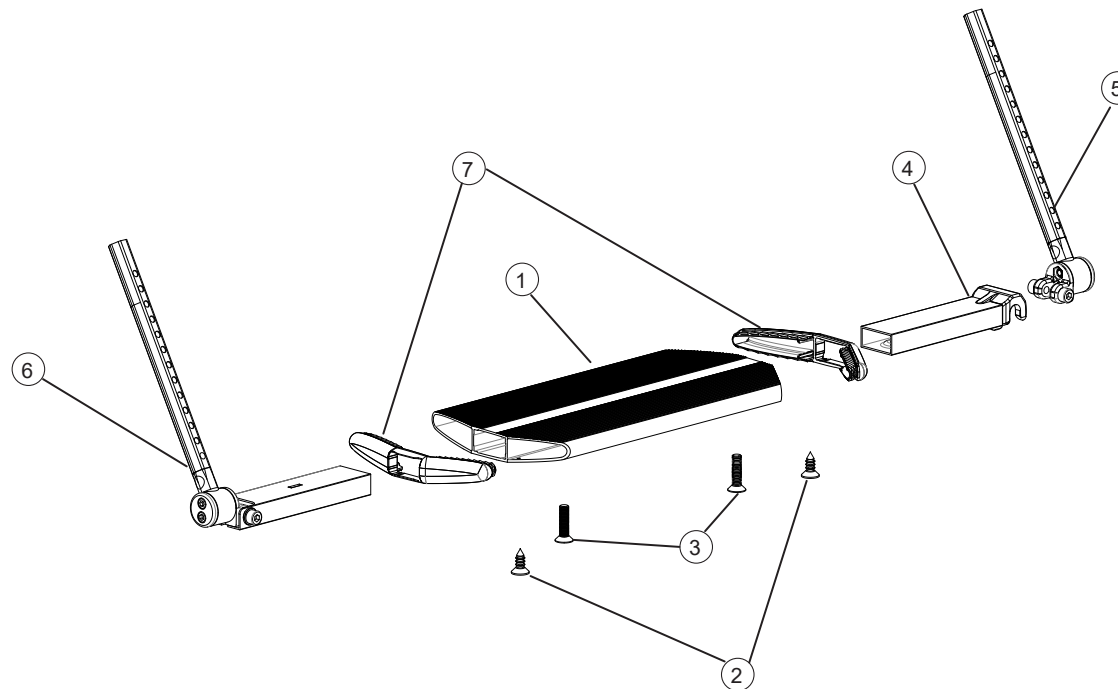


Pos.	Description	Item. no.	Swing-Away	
			Swing-Away	Active
1-6	Extender footplate S cpl	28774	●	●
	Extender footplate M right	28775-1	●	●
	Extender footplate M left	28775-2	●	●
	Extender footplate L right	28776-1	●	●
	Extender footplate L left	28776-2	●	●
1	Extender footplate S		●	●
	Extender footplate M right		●	●
	Extender footplate M left		●	●
	Extender footplate L right		●	●
	Extender footplate L left		●	●
2	Stop bar arm support	80661	●	●
3	Screw M5x14 MF6S Zn8/P esloc	11237	●	●
4	Guide one-piece footplate	83421	●	●
5	Locking nut M5 domed zink plated	12168	●	●
6	Screw M5x12 K6S 10.9 zink plated	11208	●	●
7	Side protection footplate	83420	●	●



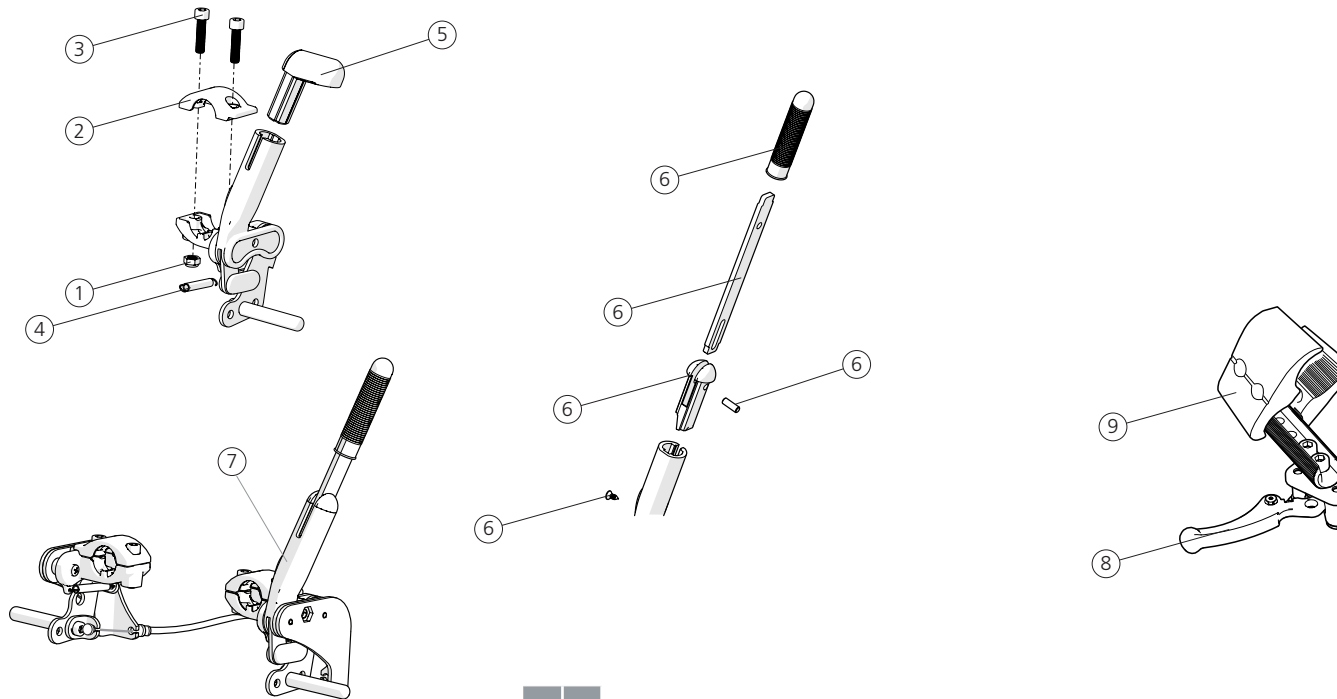


## Foot support one-piece



Pos.	Description	Item. no.		
			Swing-Away	Active
1-7	Foot support one-piece compl 35-37,5 cm	25936	●	●
	Foot support one-piece compl 40-50 cm	25937	●	●
1	Foot support one-piece 35-37,5 cm	81130	●	●
	Foot support one-piece 40-50 cm	81131	●	●
2	Screw B 6 3.5x9.5 FXS	11384	●	●
3	Screw M 5x 20 MF6S	11526	●	●
4	Locking joint for foot support 35-37,5 cm	25931	●	●
5	Attachment tube foot support one-pice left	25934	●	●
6	Attachment tube foot support one-pice right	25935	●	●
7	End cap foot support one-piece	50830	●	●

## User brake



	Swing-Away	Active
	<input type="checkbox"/>	<input type="checkbox"/>
	<input type="checkbox"/>	<input type="checkbox"/>
	<input type="checkbox"/>	<input type="checkbox"/>
	<input type="checkbox"/>	<input type="checkbox"/>
	<input type="checkbox"/>	<input type="checkbox"/>
	<input type="checkbox"/>	<input type="checkbox"/>
	<input type="checkbox"/>	<input type="checkbox"/>
	<input type="checkbox"/>	<input type="checkbox"/>
	<input type="checkbox"/>	<input type="checkbox"/>
	<input type="checkbox"/>	<input type="checkbox"/>

	Swing-Away	Active
	<input type="checkbox"/>	<input type="checkbox"/>
	<input type="checkbox"/>	<input type="checkbox"/>
	<input type="checkbox"/>	<input type="checkbox"/>
	<input type="checkbox"/>	<input type="checkbox"/>
	<input type="checkbox"/>	<input type="checkbox"/>
	<input type="checkbox"/>	<input type="checkbox"/>
	<input type="checkbox"/>	<input type="checkbox"/>
	<input type="checkbox"/>	<input type="checkbox"/>
	<input type="checkbox"/>	<input type="checkbox"/>
	<input type="checkbox"/>	<input type="checkbox"/>

Pos.	Description	Item. no.
1-5	Brake with angled red handle right	28446-1
	Brake with angled red handle left	28446-2
	Brake with angled black handle right	28444-1
	Brake with angled black handle left	28444-2
1	Locking nut M6 DIN 985-6 zink plated	12017
2	Clamp brake	51177
3	Screw M6x 25 MC6S 8.8 zink plated	11033
4	Spring brake	80796
5	Plug for angled brake red 1 pce	51012

5	Brake handle angled compl kit red	27574
	Brake handle angled compl kit black	25537
6	Brake lever extension	25515
1-4, 6	Brake M100/Crissy with extended handle foldable right	28455-1
	Brake M100/Crissy with extended handle foldable left	28455-2
7	Single hand brake compl M100/Crissy right	28456-1
	Single hand brake compl M100/Crissy left	28456-2
8-9	Scissor brake ri cpl	28768-1
	Scissor brake le cpl	28768-2
9	Attachment scissor brake incl screws	83402

## Rear wheel

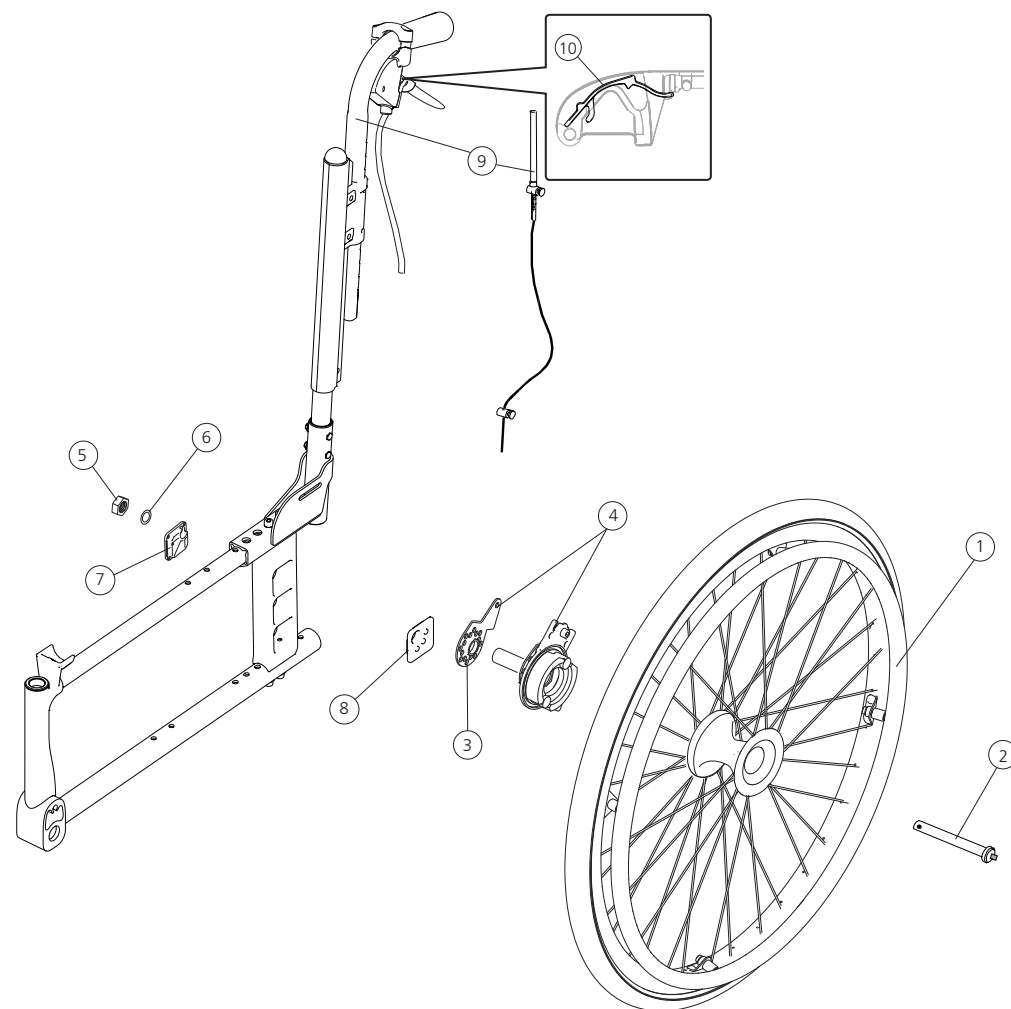
Pos.	Description	Item. no.		
			Swing-Away	Active
	<b>22" Rear wheel</b>			
1	Rear wheel 22" C5 high pressure wo handrim excl axle	27546	●	●
	Rear wheel 22" C5 high pressure/alu excl axle	27547	●	●
	Rear wheel 22" C5 high pressure/cellular rubber excl axle	27548	●	●
	Rear wheel 22" C5 high pressure/plastic coated excl axle	27549	●	●
	Rear wheel 22" C5 high pressure/stainless steel excl axle	27550	●	●
	Rear wheel 22" C5 solid excl axle	27551	●	●
	Rear wheel 22" C5 solid/alu excl axle	27552	●	●
	Rear wheel 22" C5 solid/cellular rubber excl axle	27553	●	●
	Rear wheel 22" C5 solid/plastic coated excl axle	27554	●	●
	Rear wheel 22" C5 solid/stainless steel excl axle	27555	●	●
	Rear wheel 22" C5 wo tyre inner tube handrim excl axle	27556	●	●
	Rear wheel 22" C5 solid inner tube/stainless steel	27687	●	●
	Rear wheel 22" C5 solid inner tube/cellular rubber	27688	●	●
	Rear wheel 22" C5 solid inner tube/plastic coated	27689	●	●
	Rear wheel 22" C5 solid inner tube wo handrim excl axle	27690	●	●
	Rear wheel 22" C5 matt hub high pressure/wo handrim excl axle	28080	●	●
	Rear wheel 22" C5 matt hub high pressure/plastic coated excl axle	28081	●	●
	Rear wheel 22" C5 matt hub high pressure/stainless steel excl axle	28082	●	●
	Rear wheel 22" C5 matt hub solid/wo handrim excl axle	28083	●	●
	Rear wheel 22" C5 matt hub solid/plastic coated excl axle	28084	●	●
Rear wheel 22" C5 matt hub solid/stainless steel excl axle	28085	●	●	
Rear wheel 22" C5 matt hub wo tyre inner tube handrim excl axle	28086	●	●	
	<b>24" Rear wheel</b>			
1	Rear wheel 24 C5 high pressure wo handrim black excl axle	28860	●	●
	Rear wheel 24 C5 high pressure/alu black excl axle	28861	●	●
	Rear wheel 24 C5 high pressure/cellular rubber black excl axle	28862	●	●
	Rear wheel 24 C5 high pressure/plastic coated black excl axle	28863	●	●
	Rear wheel 24 C5 high pressure/stainless black excl axle	28864	●	●
	Rear wheel 24 C5 high pressure/titanic black excl axle	28865	●	●

	Description			
			Swing-Away	Active
1	Rear wheel 24 alu Marathon Plus excl axle	28603	●	●
	Rear wheel 24 cellular rubber Marathon Plus excl axle	28604	●	●
	Rear wheel 24 plastic coated Marathon Plus excl axle	28605	●	●
	Rear wheel 24 stainless steel Marathon plus excl axle	28606	●	●
	Rear wheel 24 titanic Marathon Plus excl axle	28607	●	●
	Rear wheel 24 without handrim Marathon Plus excl axle	28608	●	●
	Rear wheel 24" C5 solid wo handrim excl axel	27563	●	●
	Rear wheel 24" C5 solid/alu excl axel	27564	●	●
	Rear wheel 24" C5 solid/cellular rubber excl axel	27565	●	●
	Rear wheel 24" C5 solid/plastic coated excl axel	27566	●	●
	Rear wheel 24" C5 solid/stainless steel excl axel	28844	●	●
	Rear wheel 24" C5 solid/titanium excl axel	27568	●	●
	Rear wheel 24" C5 wo tyre and inner tube handrim excl axel	27569	●	●
	Rear wheel 24" C5 solid inner tube/stainless steel	27691F	●	●
	Rear wheel 24" C5 solid inner tube/cellular rubber	27692	●	●
	Rear wheel 24" C5 solid inner tube/plastic coated	27693	●	●
	Rear wheel 24" C5 solid inner tube wo handrim excl axel	27694	●	●
	Rear wheel 24" C5 carbon/plastic coated excl axel	82555	●	●
	Rear wheel 24" C5 carbon/titanium excl axel	82534	●	●
	Rear wheel 24" C5 matt hub high pressure/wo handrim excl axel	28087	●	●
	Rear wheel 24" C5 matt hub high pressure/plastic coated excl axel	28088	●	●
	Rear wheel 24" C5 matt hub high pressure/stainless steel excl axel	28089	●	●
	Rear wheel 24" C5 matt hub solid/wo handrim excl axel	28090	●	●
	Rear wheel 24" C5 matt hub solid/plastic coated excl axel	28091	●	●
	Rear wheel 24" C5 matt hub solid/stainless steel excl axel	28092	●	●
	Rear wheel 24" C5 matt hub wo tyre inner tube handrim excl axel	28093	●	●
Rear wheel 24" carbon/titanium/with gasket excl axel	28095	●	●	
	<b>Axles</b>		●	●
1	Axle QR D12 M100 steel hub	82483	●	●
	Axle QR D12 Cross	82581	●	●

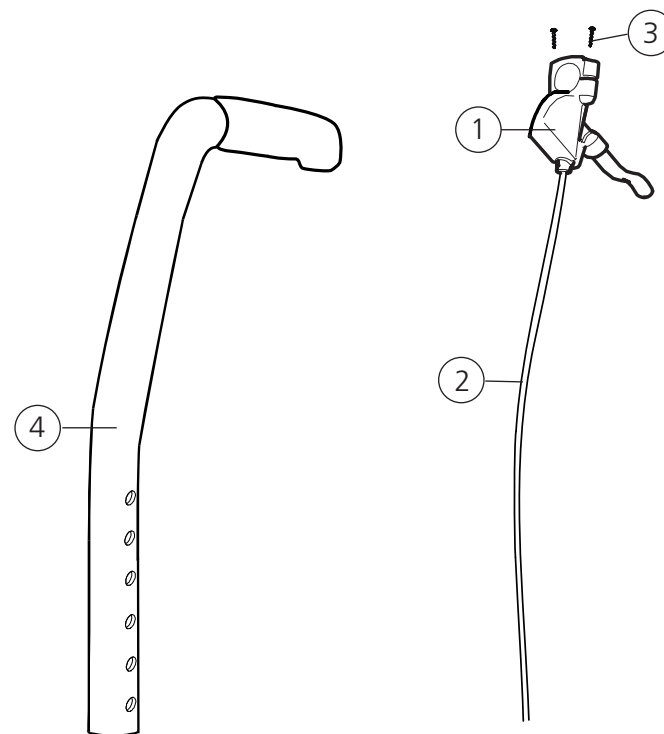


## Rear wheel with drum brake cont.

Pos.	Description	Item. no.		
			Swing-Away	Active
1	<b>24" Rear wheel</b>			
	Rear wheel 24 drum brake wo handrim Schwalbe Rightrun excl axle	83413	●	●
	Rear wheel drum brake 24" solid/alu	81346	●	●
	Rear wheel drum brake 24" solid/plastic coated	81347	●	●
	Rear wheel drum brake 24" solid/stainless steel	81348	●	●
	Rear wheel drum brake 24" plastic coated	81350	●	●
	Rear wheel drum brake 24" stainless steel	81351	●	●
	Rear wheel 24" drum brake solid inner tube/stainless steel	27256	●	●
	Rear wheel 24" drum brake solid inner tube/cellular rubber	27702	●	●
	Rear wheel 24" drum brake solid inner tube/plastic coated	27703	●	●
	Rear wheel 24" drum brake solid inner tube wo handrim axle	27704	●	●
	Rear wheel 24" drum brake matt hub solid/wo handrim excl axle	28106	●	●
	Rear wheel 24" drum brake matt hub solid/plastic coated	28107	●	●
	Rear wheel 24" drum brake matt hub solid/stainless steel	28108	●	●
	Rear wheel 24 drum brake handrim stainless Schwalbe Rightrun excl axle	28624	●	●
	Rear wheel 24 drum brake handr plastic-coat Schwalbe Rightrun excl axle	28626	●	●
Rear wheel 24 drum brake	28625	●	●	
2-8	Attachment kit drum brake Cross	28483	●	●
2-9	Drum brake kit C5 wo rear wheel	27890	●	●
2	Axle drum brake	81325	●	●
3	Carrier drum brake	82566	●	●
4	Drum brake Cross 5 right	27590	●	●
	Drum brake Cross 5 left	27591	●	●
5	Nut		●	●
6	Washer		●	●
7	Camber washer 2° inner	82568	●	●
8	Camber washer 2° outer	83206	●	●
9	Push handle height adj Cross Drum brake 100 mm grip	27625-01	●	●
10	Wire lock brake handle 100 mm 10 pcs	82854	●	●



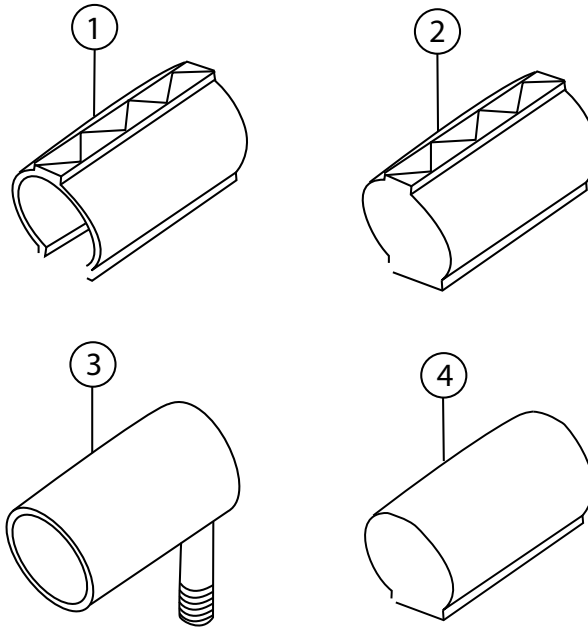
## Attendant brake for fixed back support with fixed push handles



Pos.	Description	Item. No.
1	Brake handle drum brake	81804
2	Wire kit drum brake Cross Twin Tran	81805
3	Screw DG 5x20 WN 1552	11504
4	Back support tube with push handle drum brake	27345-01

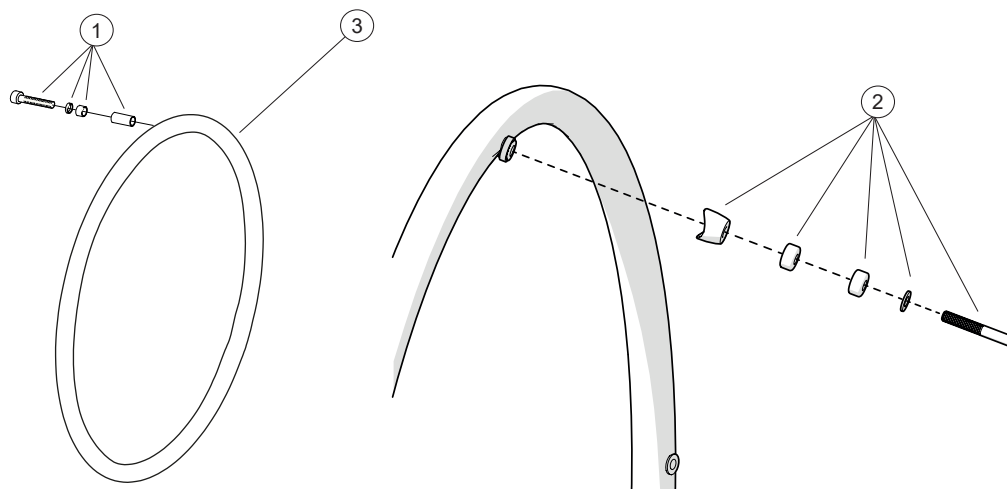
Swing-Away	Active
●	●
●	●
●	●
●	●

## Tyre and inner tube



Pos.	Description	Item. no.		
			Swing-Away	Active
1	Tyre 22" x 1" high pressure	81125	●	●
	Tyre 24" high pressure black	83329	●	●
	Tyre 24" Schwalbe Marathon Plus	83301	●	●
	Tyre 24" x 1" high pressure for carbon	82907	●	●
2	Tyre 22" solid	81384	●	●
	Tyre 24" solid	80768	●	●
3	Inner tube 22" air high pressure	80136	●	●
	Inner tube 24" 1" high pressure	80560	●	●
	Inner tube 24" 1" high pressure for carbon	82908	●	●
4	Inner tube 22" solid	82705	●	●
	Inner tube 24" solid	82704	●	●
	Tyre flaps for carbon	82909	●	●

## Handrim



Swing-Away	Active
<input type="checkbox"/>	<input type="checkbox"/>
<input checked="" type="checkbox"/>	<input checked="" type="checkbox"/>
<input checked="" type="checkbox"/>	<input checked="" type="checkbox"/>
<input checked="" type="checkbox"/>	<input checked="" type="checkbox"/>
<input checked="" type="checkbox"/>	<input checked="" type="checkbox"/>
<input checked="" type="checkbox"/>	<input checked="" type="checkbox"/>
<input checked="" type="checkbox"/>	<input checked="" type="checkbox"/>
<input checked="" type="checkbox"/>	<input checked="" type="checkbox"/>

Swing-Away	Active
<input type="checkbox"/>	<input type="checkbox"/>
<input checked="" type="checkbox"/>	<input checked="" type="checkbox"/>
<input checked="" type="checkbox"/>	<input checked="" type="checkbox"/>
<input checked="" type="checkbox"/>	<input checked="" type="checkbox"/>
<input checked="" type="checkbox"/>	<input checked="" type="checkbox"/>
<input checked="" type="checkbox"/>	<input checked="" type="checkbox"/>
<input checked="" type="checkbox"/>	<input checked="" type="checkbox"/>
<input checked="" type="checkbox"/>	<input checked="" type="checkbox"/>

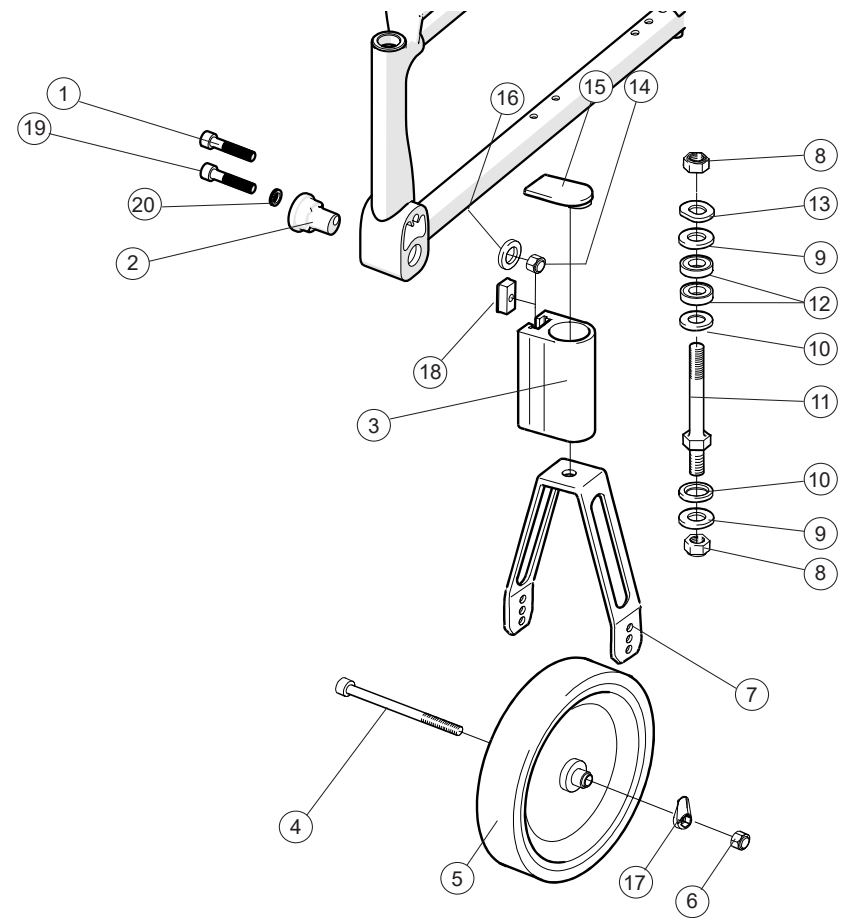
Pos.	Description	Item. no.
1	Attachment kit handrim titanium/alu/cellular rubber/stainless steel	24514
2	Attachment kit handrim	28113
3	<b>22" Rear wheel</b>	
	Handrim D500 wheel 22" alu	25636
	Handrim D500 wheel 22" stainless steel	24395
	Handrim D500 wheel 22" plastic coated	80895
	Handrim D470 wheel 22" plastic coated	82175
	Handrim D500 wheel 22" stainless steel	83007
	Handrim D500 wheel 22" plastic coated	83011

Pos.	Description	Item. no.
3	<b>24" Rear wheel</b>	
	Handrim D540 wheel 24" alu	25181
	Handrim D540 wheel 24" stainless steel	24023
	Handrim D540 wheel 24" plastic coated	82998
	Handrim D540 wheel 24" cellular rubber clips	80800
	Handrim D540 wheel 24" stainless steel	83008
	Handrim D540 wheel 24" plastic coated	83012

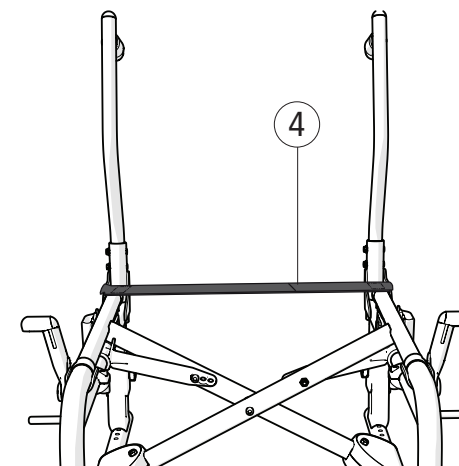
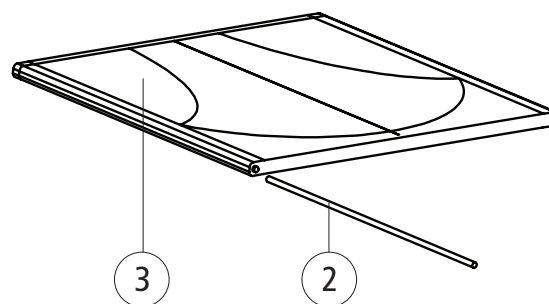
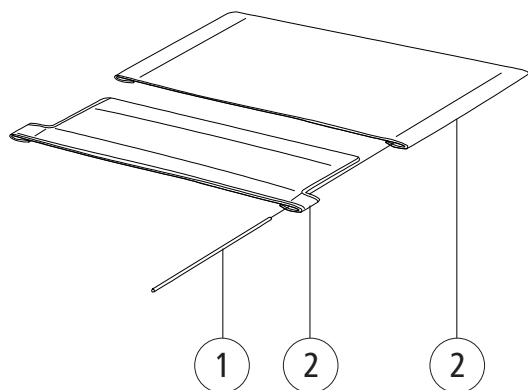


## Castor wheel

Pos.	Description	Item. no.		
			Swing-Away	Active
1	Screw M8x1x40 MC6S 12.9 Zn8/P4	11305	●	●
2	Off center sleeve jagged	81994	●	●
3	Front fork attachment 6063 HIT T6 4104-06	28147	●	●
	Front fork attachment widened	25763	●	●
	Front fork attachment low Cross	28633	●	●
4	Screw M 6x 75 MC6S 12.9 black	11338	●	●
5	Wheel			
6	Locking nut M6 DIN 985-6 Zn8/P4	12035	●	●
4-6+17	Castor 5" 125x30 solid hard	27865	●	●
	Castor 6" 150x30 solid soft	27863	●	●
	Castor 8" 200x35 solid soft	27864	●	
	Castor 8" 200x50 solid soft	27868	●	
	Castor 8" 200x30 air	27872	●	
7	Front fork short excl axle black	24554-01	●	●
	Front fork medium excl axle black	83030	●	●
8	Locking nut low	12077	●	●
9	Washer BRB 13.5 Zn8/P4	13031	●	●
10	Washer 12.7x24x2.5 with chamfer	13032	●	●
11	Axle front fork steel	83812	●	●
7-11	Front fork short steel axle matt black	24677	●	●
12	Ball bearing EE4 2RS	80244	●	●
13	Washer 13x24x1.2 DIN 137B zink plated	13040	●	●
14	Locking nut M8x1 DIN 985 zink plated	12051	●	●
15	Plug front fork attachment	51220	●	●
	Plug widened front fork attachment	50429	●	●
16	Washer BRB 8.4x16x1.6 zink plated	13001	●	●
17	Cover wheel axle PA 6	51135	●	●
18	T-nut	82922	●	●
19	Screw M8x1x40 MC6S	11671	●	●
20	Washer	13092	●	●



## Seat upholstery/Seat extender



	Swing-Away	Active
1	●	●
2	●	●
	●	●
	●	●
	●	●
	●	●
	●	●

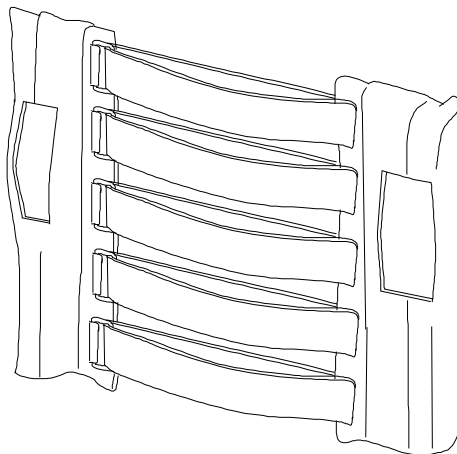
Pos.	Description	Item. no.
1	Tension rod L381 seat upholstery short	80617
2	Upholstery seat short 37,5 cm	62719-60
	Upholstery seat short 40 cm	62720-60
	Upholstery seat short 42.5 cm	62721-60
	Upholstery seat short 45 cm	62722-60
	Upholstery seat short 47.5 cm	62978-60
	Upholstery seat short 50 cm	62979-60

	Swing-Away	Active
3	●	●
	●	●
	●	●
	●	●
	●	●
	●	●
4	●	●
	●	●

	Swing-Away	Active
3	●	●
	●	●
	●	●
	●	●
	●	●
	●	●
4	●	●
	●	●

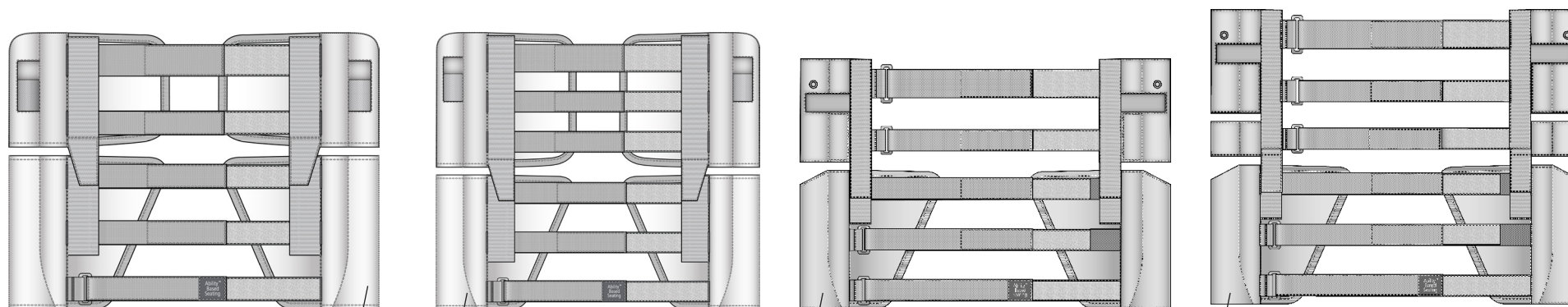
Item. no.	Description
62501-70	Upholstery seat short 37,5 cm
62502-70	Upholstery seat short 40 cm
62503-70	Upholstery seat short 42.5 cm
62504-70	Upholstery seat short 45 cm
62505-70	Upholstery seat short 47.5 cm
62506-70	Upholstery seat short 50 cm
63291	Seat extender 37.5-42,5 cm
63292	Seat extender 45-50 cm

## Back support upholstery, back support 2C



Pos.	Description	Item. no.		
			Swing-Away	Active
1	Upholstery back 35/37,5 cm	62342-60	●	●
	Upholstery back 40/42,5 cm	62343-60	●	●
	Upholstery back 45 cm	62344-60	●	●
	Upholstery back 47,5/50 cm	62345-60	●	●
	Upholstery back 52,5/55 cm	62430-60	●	●
	Upholstery back 57,5/60 cm	62431-60	●	●
	Upholstery back high 35/37,5 cm	62758-60	●	●
	Upholstery back high 40/42,5 cm	62466-60	●	●
	Upholstery back high 45 cm	62467-60	●	●
	Upholstery back high 47,5/50 cm	62468-60	●	●

## Back support upholstery, back support 2B



1

2

3

4

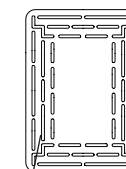
Swing-Away	Active
------------	--------

Pos.	Description	Item. no.	Swing-Away	Active
1	Upholstery B2B 35-40 cm	63194-60	●	●
	Upholstery B2B 42.5-50 cm	63195-60	●	●
2	Upholstery B2B high 35-40 cm	63197-60	●	●
	Upholstery B2B high 42.5-50 cm	63198-60	●	●
3	Upholstery 2B low 35-40 cm mod 2	63257-60	●	●
	Upholstery 2B low 42,5-47,5 cm mod 2	63258-60	●	●
	Upholstery 2B low 50-55 cm mod 2	63259-60	●	●
4	Upholstery 2B high 35-40 cm mod 2	63260-60	●	●
	Upholstery 2B high 42,5-47,5 cm mod 2	63261-60	●	●
	Upholstery 2B high 50-55 cm mod 2	63262-60	●	●
5	Extension part back 2B 35-40 cm mod 2	63273	●	●
	Extension part back 2B 42,5-47,5 cm mod 2	63275	●	●
	Extension part back 2B 50-55 cm mod 2	63276	●	●
6	Pad size 20x15x1 cm	63272	●	●
7	Insert widening pad	51218	●	●
6-7	Widening pad	28637	●	●

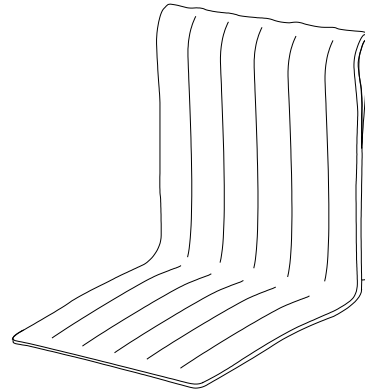
5

6

7



## Back support cover, back support 2C



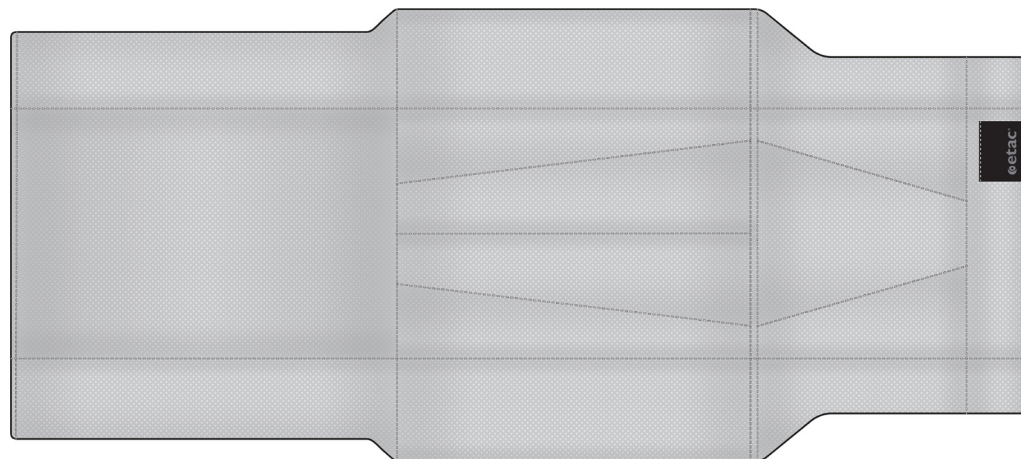
Swing-Away	Active
●	●
●	●
●	●
●	●
●	●
●	●
●	●
●	●
●	●
●	●
●	●
●	●

Pos.	Description	Item. no.
	Cover back 37,5 cm dark grey	62387-60
	Cover back 40 cm dark grey	62136-60
	Cover back 42,5 cm dark grey	62388-60
	Cover back 45 cm dark grey	62137-60
	Cover back 47,5 cm dark grey	62389-60
	Cover back 50 cm dark grey	62305-60
	Cover back high 37,5 cm dark grey	62479-60
	Cover back high 40 cm dark grey	62469-60
	Cover back high 42,5 cm dark grey	62470-60

Swing-Away	Active
●	●
●	●
●	●
●	●
●	●
●	●
●	●
●	●
●	●
●	●
●	●
●	●

	Cover back high 45 cm dark grey	62471-60
	Cover back high 47,5 cm dark grey	62472-60
	Cover back high 50 cm dark grey	62473-60
	Cover back Comf std/high 37,5 cm	62896-60
	Cover back Comf std/high 40 cm	62897-60
	Cover back Comf std/high 42,5 cm	62898-60
	Cover back Comf std/high 45 cm	62899-60
	Cover back Comf std/high 47,5 cm	62900-60
	Cover back Comf std/high 50 cm	62901-60
	Adapter seat upholstery loop-loop	28484

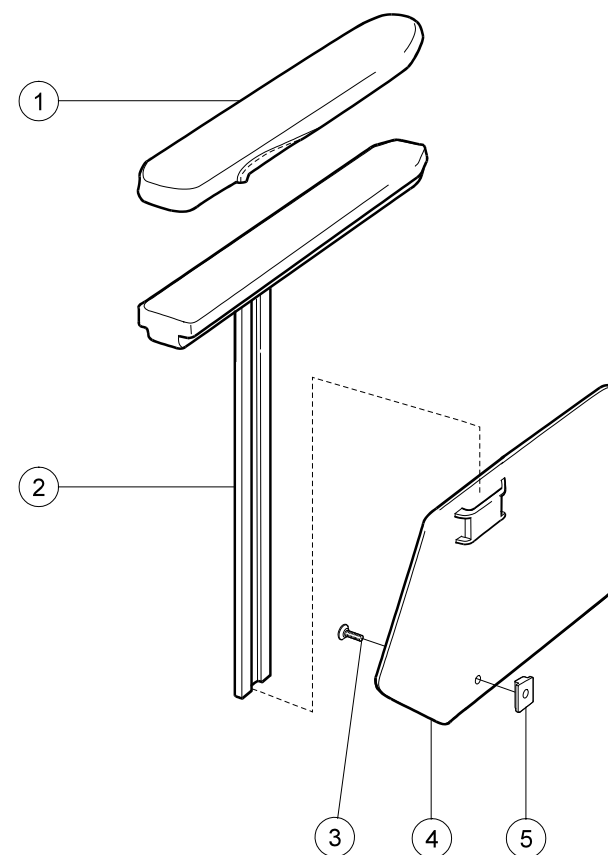
## Back support cover, back support 2B



Pos.	Description	Item. no.		
			Swing-Away	Active
1	Cover back 3A/B2B 37.5 cm	63205-68	●	●
	Cover back 3A/B2B 40 cm	63206-68	●	●
	Cover back 3A/B2B 42.5 cm	63207-68	●	●
	Cover back 3A/B2B 45 cm	63208-68	●	●
	Cover back 3A/B2B 47.5 cm	63209-68	●	●
	Cover back 3A/B2B 50 cm	63210-68	●	●

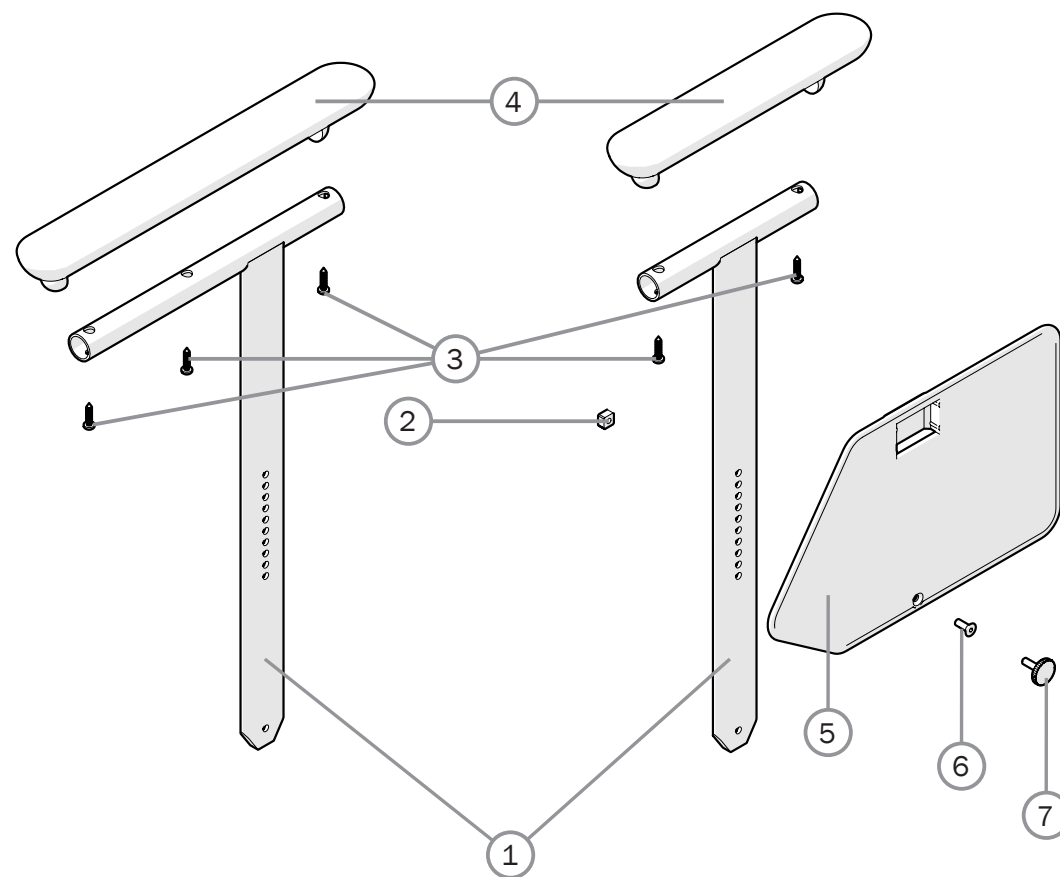
## Arm support

Pos.	Description	Item. no.		
			Swing-Away	Active
1	Cover arm support padded short dark grey	62282-60	●	●
	Cover arm support padded long dark grey	62283-60	●	●
	Cover arm support gel short dark grey	26240-60	●	●
	Cover arm support gel long dark grey	26241-60	●	●
	Cover arm support padded short Hygiene	62282-63	●	●
	Cover arm support padded long Hygiene	62283-63	●	●
	Cover arm support gel short Hygiene	26240-63	●	●
	Cover arm support gel long Hygiene	26241-63	●	●
2-5	Arm support short right L 25 cm	25172-1	●	●
	Arm support short left L 25 cm	25172-2	●	●
	Arm support long right L 38 cm	25173-1	●	●
	Arm support long left L 38 cm	25173-2	●	●
	Arm support active short right L 25 cm height 20-25 cm	28578-1	●	●
	Arm support active short left L 25 cm height 20-25 cm	28578-2	●	●
	Arm support active long right L 38 cm height 20-25 cm	28579-1	●	●
	Arm support active long left L 38 cm height 20-25 cm	28579-2	●	●
3	Screw M5x14 MF6S 10.9 black Esloc	11237	●	●
4	Side guard nylon right	50316	●	●
	Side guard nylon left	50317	●	●
5	Stop bar for arm support 6005 T6 SS 4107-06	80661	●	●



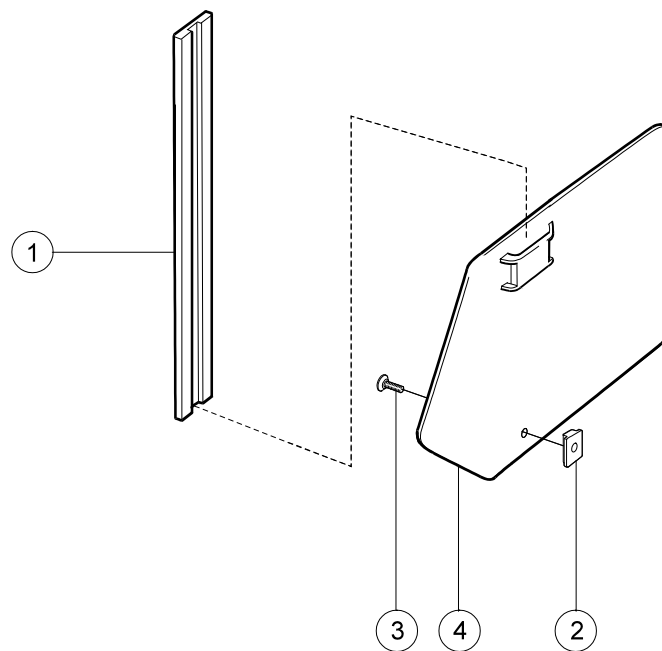
## Arm support detachable pad

Pos.	Description	Item. no.		
			Swing-Away	Active
1-6	Arm support detachable pad short right	28780-1	●	●
	Arm support detachable pad short left	28780-2	●	●
	Arm support detachable pad long right	28781-1	●	●
	Arm support detachable pad long left	28781-2	●	●
	Arm support detachable pad short right with finger screw	28782-1	●	●
	Arm support detachable pad short left with finger screw	28782-2	●	●
	Arm support detachable pad long right with finger screw	28783-1	●	●
	Arm support detachable pad long left with finger screw	28783-2	●	●
1	Arm support detachable pad short without pad	28684	●	●
	Arm support detachable pad long right without pad	28685-1	●	●
	Arm support detachable pad long left without pad	28685-2	●	●
2	Stop bar for arm support	80661	●	●
3	Screw B 8x19 RXS/A2 Ph st 4.2	11064	●	●
4	Arm support pad M100 short right	82294-1	●	●
	Arm support pad M100 short left	82294-2	●	●
	Arm support pad M100 long right	82295-1	●	●
	Arm support pad M100 long left	82295-2	●	●
5	Sideguard right	50316	●	●
	Sideguard left	50317	●	●
6	Screw M5x14 MF6S 10.9 black Esloc	11237	●	●
7	Finger Screw	82402	●	●



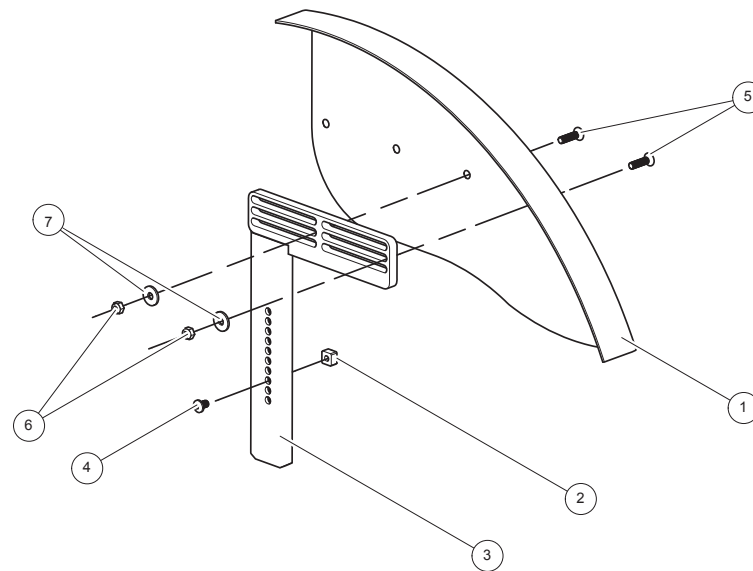


## Side guard



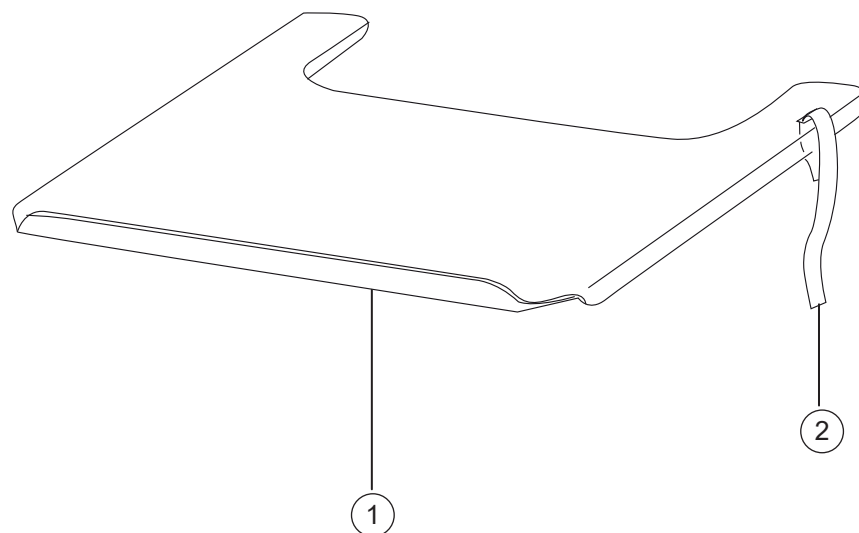
Pos.	Description	Item. no.		
			Swing-Away	Active
1	Sideguard bracket 6005 T6 SS 4107-06	80631	●	●
2	Stop bar arm support 6005 T6 SS 4107-06	80661	●	●
3	Screw M5x14 MF6S 10.9 black Esloc	11237	●	●
4	Sideguard nylon right	50316	●	●
	Sideguard nylon left	50317	●	●
1-4	Sideguard right black	25189-1	●	●
	Sideguard left black	25189-2	●	●

## Mud guard



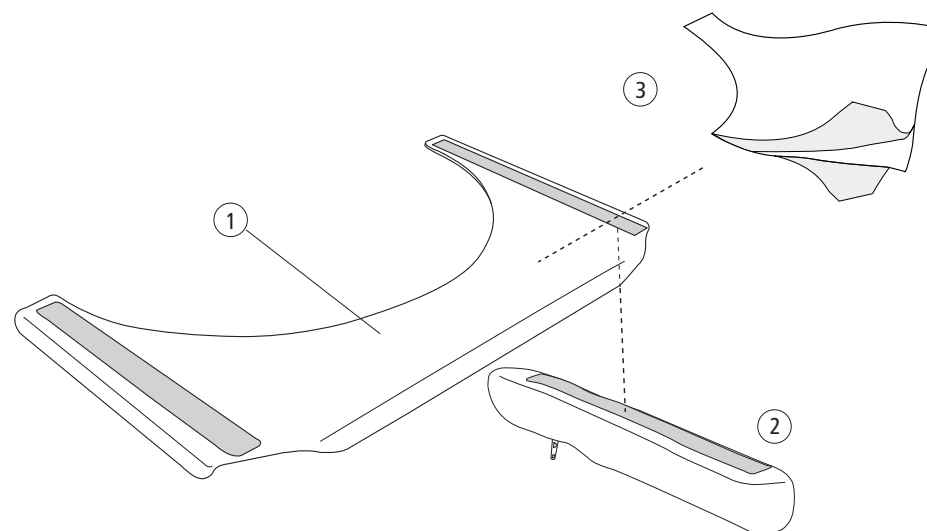
Pos.	Description	Item. no.		
			Swing-Away	Active
1-7	Mud guard black right compl	27397-1	●	●
	Mud guard black left compl	27397-2	●	●
	Mud guard M black right compl	28548-1	●	●
	Mud guard M black left compl	28548-2	●	●
	Mud guard S black right compl	28547-1	●	●
	Mud guard S black left compl	28547-2	●	●
1	Mud guard black right	27414-1	●	●
	Mud guard black left	27414-2	●	●
2	Stop bar arm support	80661	●	●
3	Attachment mud guard	27396-01	●	●
4	Screw M5x8 K6S black	11304	●	●
5	Screw M5x20 MF6S black	11571	●	●
6	Locking nut M 5 black DIN 985-6	12036	●	●
7	Washer BRB 5.3x15x1.2 black	13004	●	●

## Tray



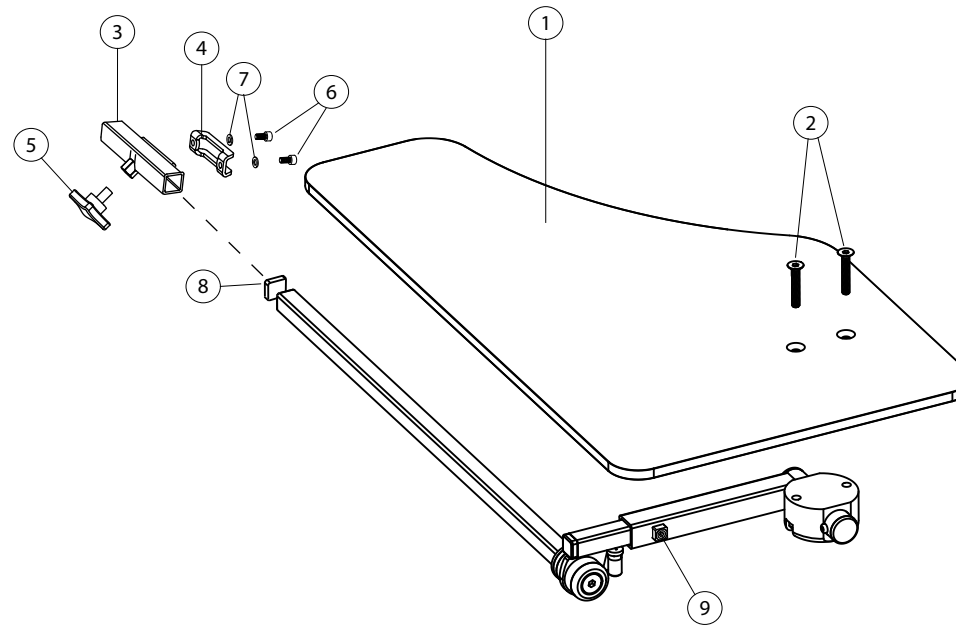
Pos.	Description	Item. no.		
			Swing-Away	Active
	Strap for tray 27.5-50 cm	62103	<input checked="" type="checkbox"/>	<input checked="" type="checkbox"/>
	Tray 47.5 cm for chair 37.5 cm compl	25187	<input checked="" type="checkbox"/>	<input checked="" type="checkbox"/>
	Tray 50 cm for chair 40 cm compl	24418	<input checked="" type="checkbox"/>	<input checked="" type="checkbox"/>
	Tray 52.5 cm for chair 42.5 cm compl	25188	<input checked="" type="checkbox"/>	<input checked="" type="checkbox"/>
	Tray 55 cm for chair 45 cm compl	24419	<input checked="" type="checkbox"/>	<input checked="" type="checkbox"/>
	Tray 57,5 cm for chair 47,5 cm compl	25731	<input checked="" type="checkbox"/>	<input checked="" type="checkbox"/>
	Tray 60 cm for chair 50 cm compl	24601	<input checked="" type="checkbox"/>	<input checked="" type="checkbox"/>

## Hemi tray



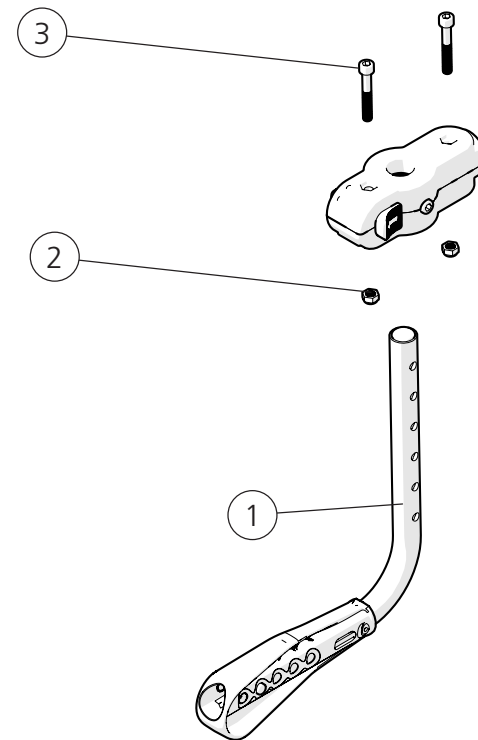
Pos.	Description	Item. no.		
			Swing-Away	Active
2	Cover arm support short Hemi tray	81631	●	●
	Cover arm support long Hemi tray	81632	●	●
3	Anti glide Hemi tray 35-50 cm	81633	●	●
	Hemi tray 47.5 cm for chair 37.5 short arm support compl	26557	●	●
	Hemi tray 50 cm for chair 40 cm short arm support compl	26558	●	●
	Hemi tray 52.5 cm for chair 42.5 short arm support compl	26559	●	●
	Hemi tray 55 cm for chair 45 cm short arm support compl	26560	●	●
	Hemi tray 57.5 cm for chair 47.5 short arm support compl	26561	●	●
	Hemi tray 60 cm for chair 50 cm short arm support compl	26562	●	●
	Hemi tray 47.5 cm for chair 37.5 long arm support compl	26564	●	●
	Hemi tray 50 cm for chair 40 cm long arm support compl	26565	●	●
	Hemi tray 52.5 cm for chair 42.5 long arm support compl	26566	●	●
	Hemi tray 55 cm for chair 45 cm long arm support compl	26567	●	●
	Hemi tray 57.5 cm for chair 47.5 long arm support compl	26568	●	●
	Hemi tray 60 cm for chair 50 cm long arm support compl	26569	●	●

## Hemi tray/Communication



Pos.	Description	Item. no.		
			Swing-Away	Active
1-9	Hemi tray/Communication right	27352-1	●	●
	Hemi tray/Communication left	27352-2	●	●
1	Tray Hemi tray	82420	●	●
2	Screw M6x35 MF6S 10,9 black	11287	●	●
3	Attachment arm support	27356	●	●
4	Attachment plate arm support	82408	●	●
5	Locking wheel M8 x 14 mm	400118	●	●
6	Screw M5x 8 MC6S black	11414	●	●
7	Washer 5,3 x 10 x 0,5	13026	●	●
8	Dust cover IFR 1515-1,5s	50972	●	●
9	Stop screw M6x10	11614	●	●

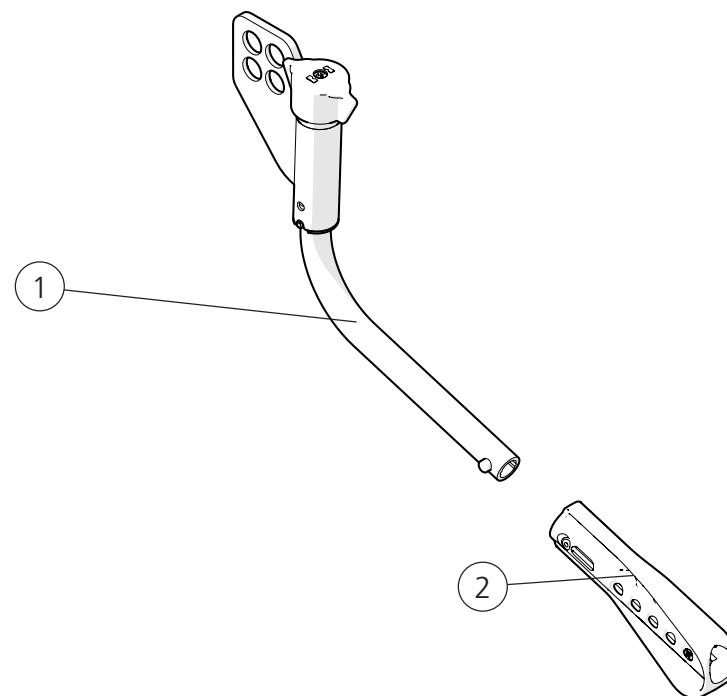
## Anti-tip



Pos.	Description	Item. no.
1-3	Anti-tip cpl	28600
1	Anti-tip	
2	Locking nut M6 zink plated DIN 985-6	12017
3	Screw M6x40 MC65 10.9 zink plated	11229

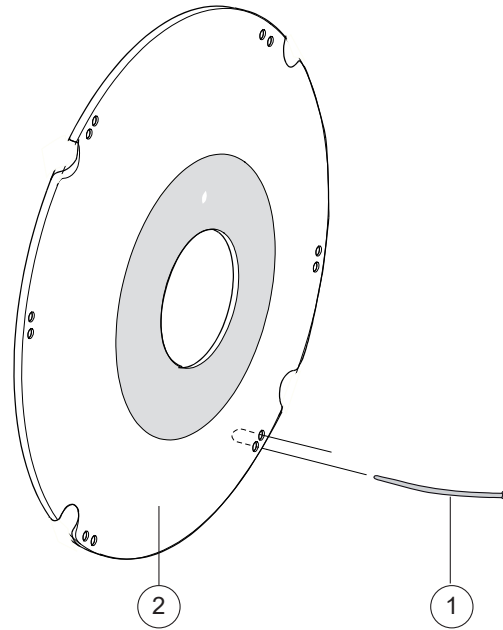
Swing-Away	Active
●	●
●	●
●	●
●	●

## Anti-tip



Pos.	Description	Item. no.	Swing-Away	
			Active	
1-2	Anti-tip active right	28520-1	●	●
	Anti-tip active left	28520-2	●	●
1	Anti-tip		●	●
2	Anti-tip extension multi	51201	●	●

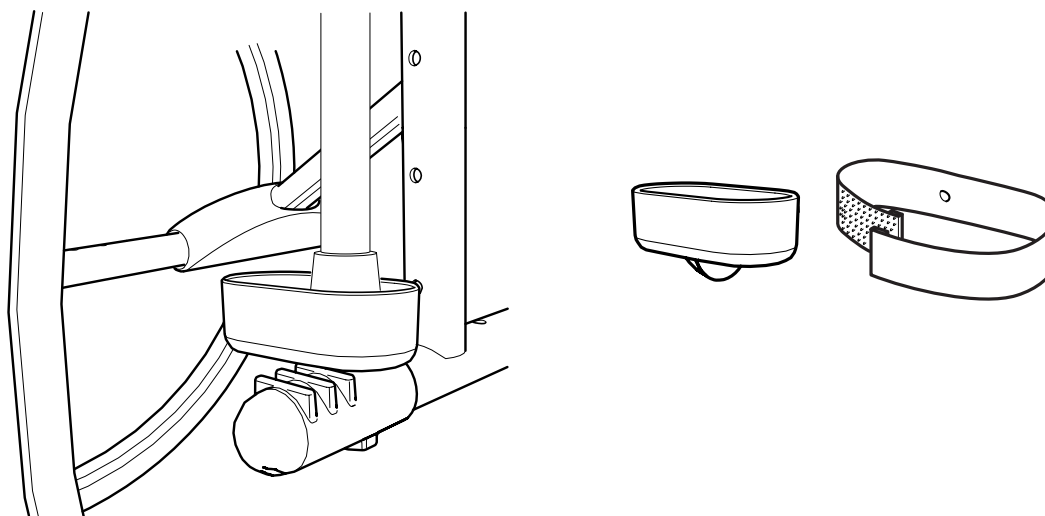
## Spoke guard



Pos.	Description	Item. no.		
			Swing-Away	Active
1	Attachment kit spoke guard, 6 st cable ties	26276	●	●
2	Spoke guard 22" grey print	25503-28	●	●
	Spoke guard 22" yellow print	25503-29	●	●
	Spoke guard 24" grey print	25504-28	●	●
	Spoke guard 24" yellow print	25504-29	●	●
	Spoke guard 24" AB grey print	28818-28	●	●



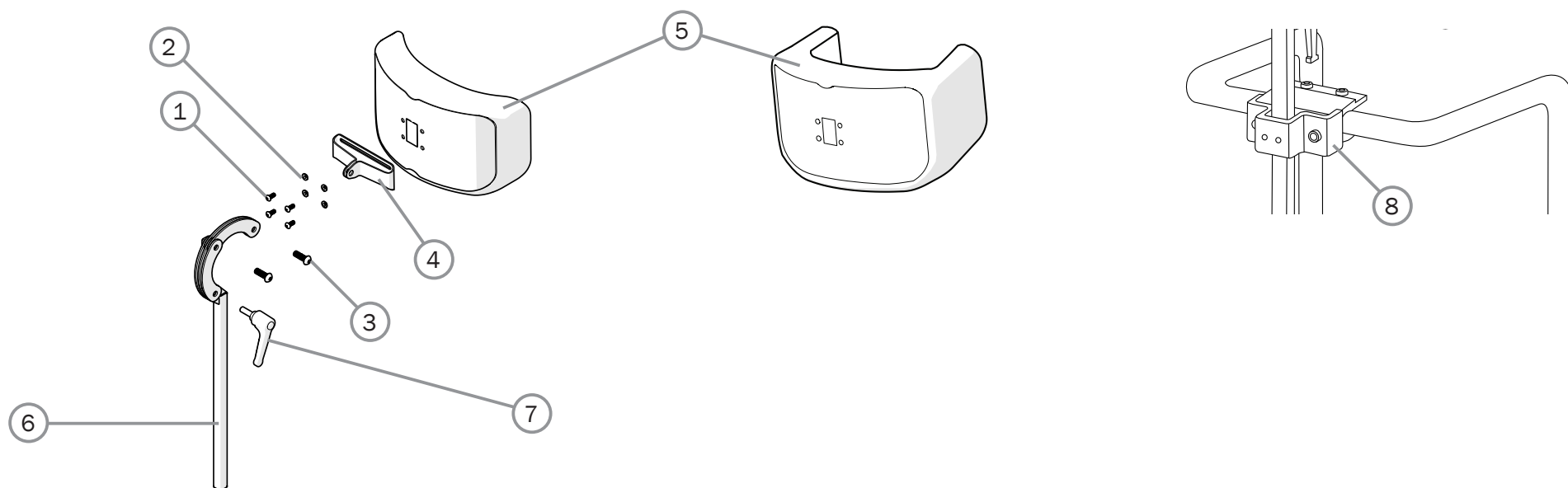
## Cane holder



Pos.	Description	Item. no.
1-7	Cane holder universal	27235

Swing-Away	Active
<input type="checkbox"/>	<input type="checkbox"/>
<input checked="" type="checkbox"/>	<input checked="" type="checkbox"/>

## Head support



	Swing-Away	Active
1-7	●	●
1	●	●
2	●	●
3	●	●
4	●	●

	Swing-Away	Active
5	●	●
6	●	●
7	●	●
8	●	●

Pos.	Description	Item. no.
1-7	Head support mod 4 hygiene	28534-65
	Head support mod 4 dark grey	28534-60
	Head support with side support grey hygiene	28536-65
1	Screw M 5x 12 K6S 10.9 fzb	11208
2	Joint bushing	50285
3	Screw M8x25	11706
4	Attachment head support	83288

5	Cover for head support plush	63177-60
	Cover for head support hygiene	63177-65
	Cover for head support with side support	63185-65
6	Tube hold neckrest L 350	28533
7	Handle head support	80684
8	Head support bracket	25795