



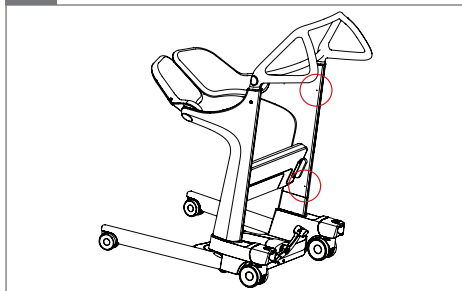
Assembly instruction

Molift Transfer Pro O-Bracket

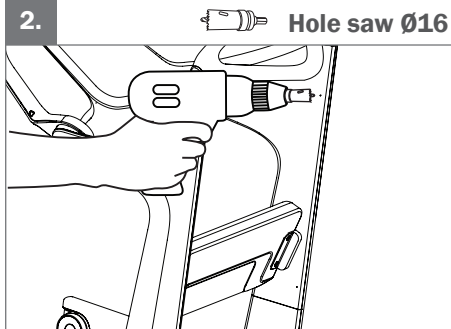
molift[®]
by Etac

BM70299 - 2024-02-xx - Rev. 1.0

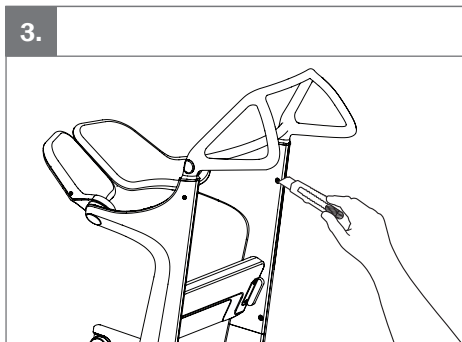
1.



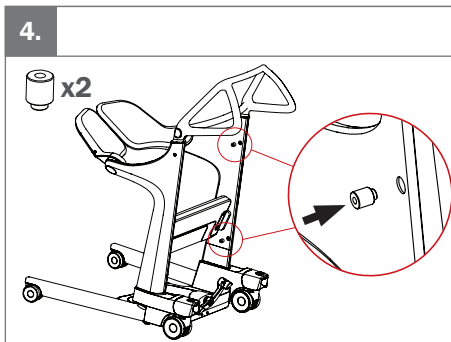
2.



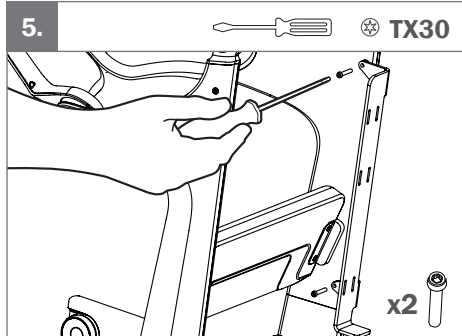
3.



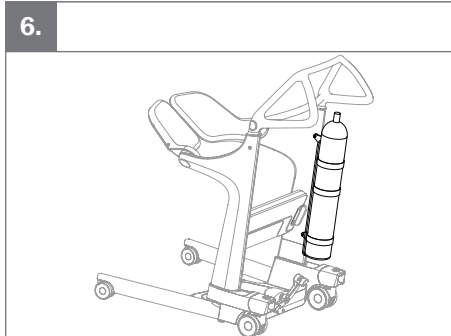
4.



5.



6.



www.etac.com





Etac Ltd.

Unit 60, Hartlebury Trading Estate,
Hartlebury, Kidderminster,
Worcestershire, DY10 4JB
+44 121 561 2222



Sodimed SA

Ch. Praz-Devant 12
CH-1032 Romanel-sur-Lausanne
+41 58 911 06 06



Etac A/S

Parallevej 3
DK-8751 Gedved



+45 796 858 33



patienthandling@etac.com



www.etac.com

molift[®]
by Etac